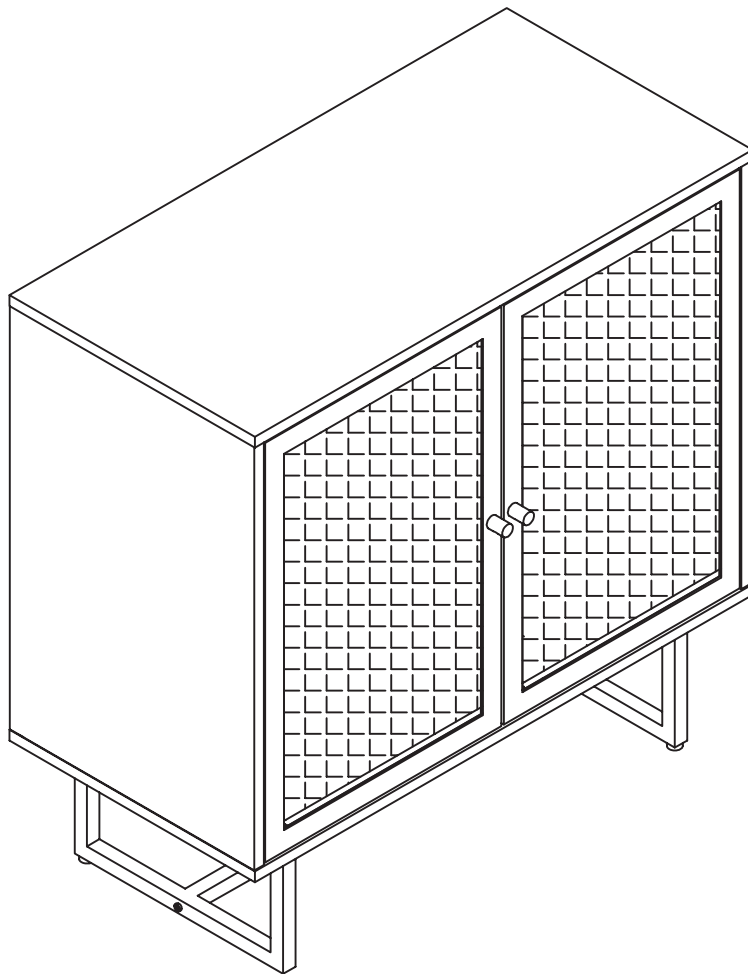


Let's build the

Cabinet



Ok, let's get rolling

Estimated time for assembly



60:00

What you need

- Some of your favourite bubbly or your preferred relaxant
- Use the packaging carton as a working surface to prevent product damage during assembly

Do not use a drill



Weight Limitation



90

lbs for top

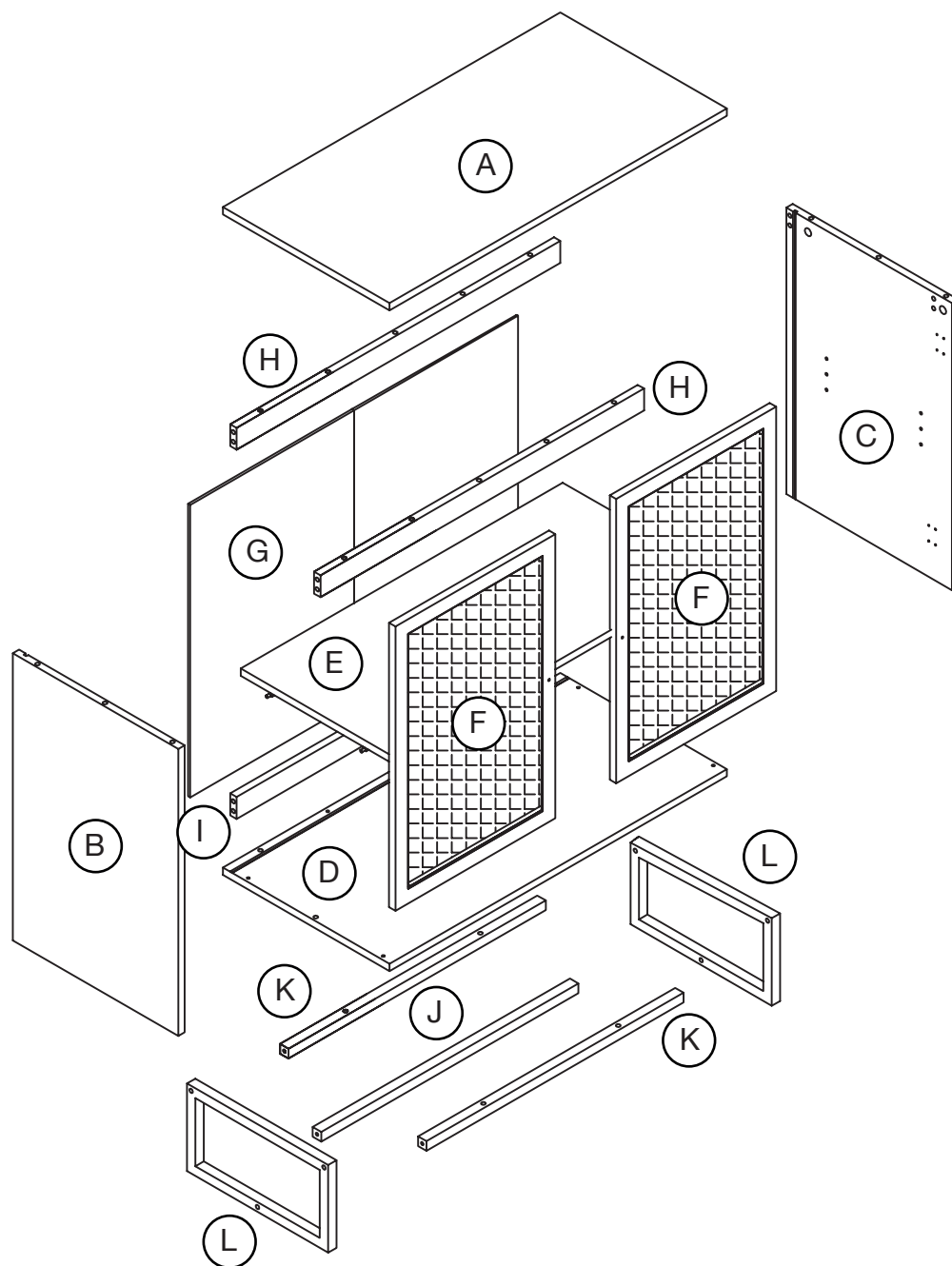
26

lbs per shelf

What's included

Description	Qty
A Top Panel	1
B Left Side Panel	1
C Right Side Panel	1
D Bottom Panel	1
E Shelf	1
F Door Panel	2
G Back Panel	1
H Top (Front & Back) Rail	2
I Bottom Back Rail	1
J Bottom Metal Stretcher	1
K Front and Back Metal Stretcher	2
L Metal Frame	2

The goods



IMPORTANT

1. Do not tighten bolts / screws completely until all bolts / screws are lined up and inserted into holes.
2. Do not over tighten screws and bolts to avoid stripping.
3. Please use hand tools to assemble this product. Do not use power tools.

What's included

	Description	Qty
1	M6*30mm Cam Bolt	14
2	8*30mm Wooden Dowel	19
3	15*9.5mm Cam Lock	14
4	Hinge	4
5	Plastic Strip	1
6	Metal Connector	2
7	M6*30mm Wall Anchor	1
8	M4.2*32mm Screw	1
9	M4.2*17mm Screw	1
10	M4*14mm Screw	24
11	Handle	2
12	M4*20mm Bolt	2
13	M6*30mm Bolt	10
14	M4.2*40mm Screw	6
15	Magnetic Door Catcher	2
16	M3*16mm Screw	4
17	M3*12mm Screw	4
18	Adjustable Leveler	4
19	Metal Support for Shelf	4
20	Allen Key	1
21	Metal Plate	4

The goods

1



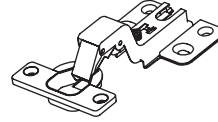
2



3



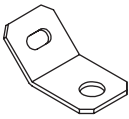
4



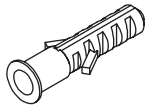
5



6



7



8



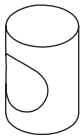
9



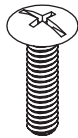
10



11



12



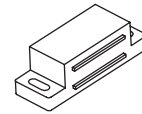
13



14



15



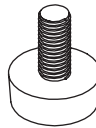
16



17



18



19



20



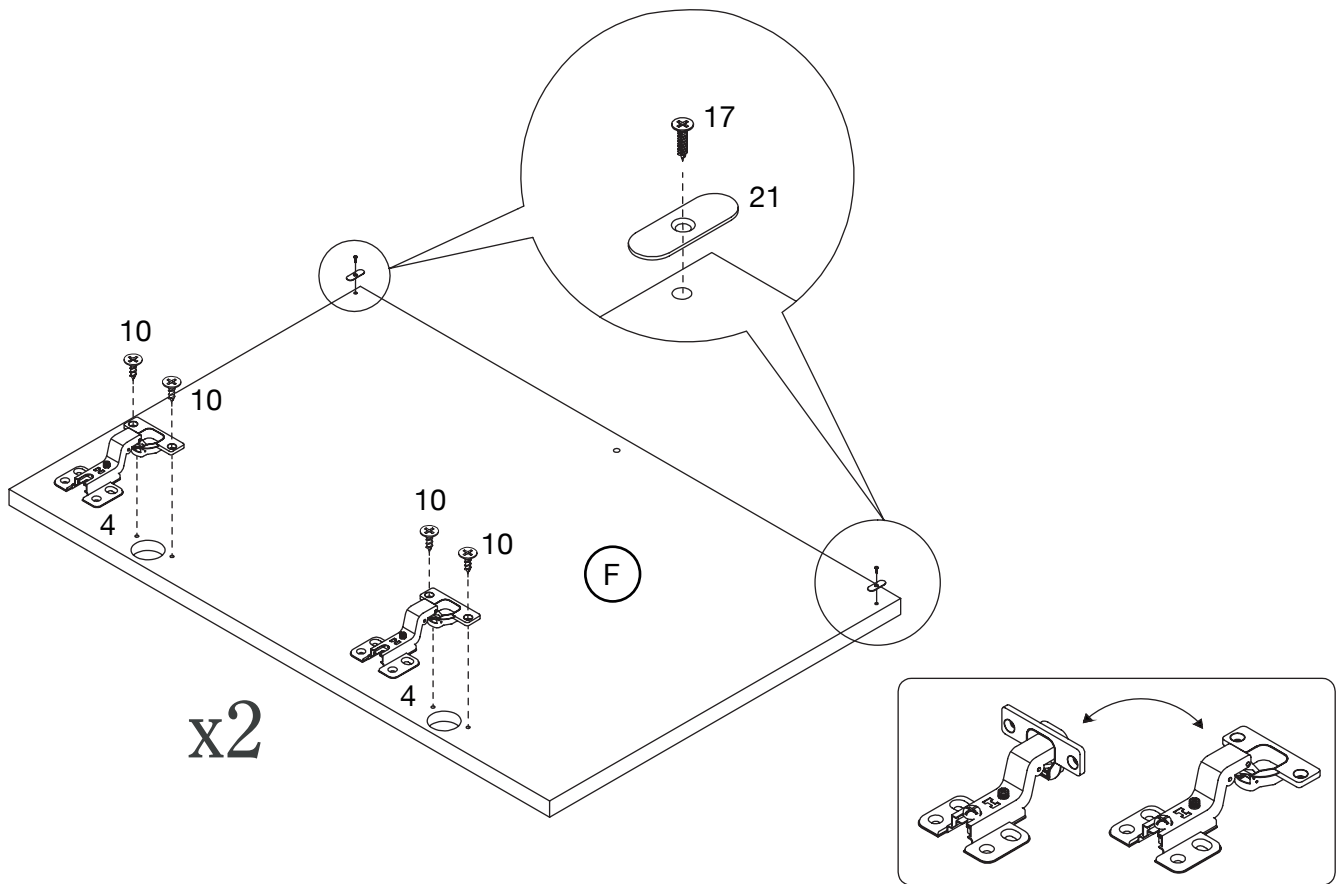
21



Step 1

Let's get this thing fired up! Lay down packaging carton or use carpet as a working surface.

We're startin' off easy. Secure the Hinges (4) and Metal Plates (21) to both sets of doors.

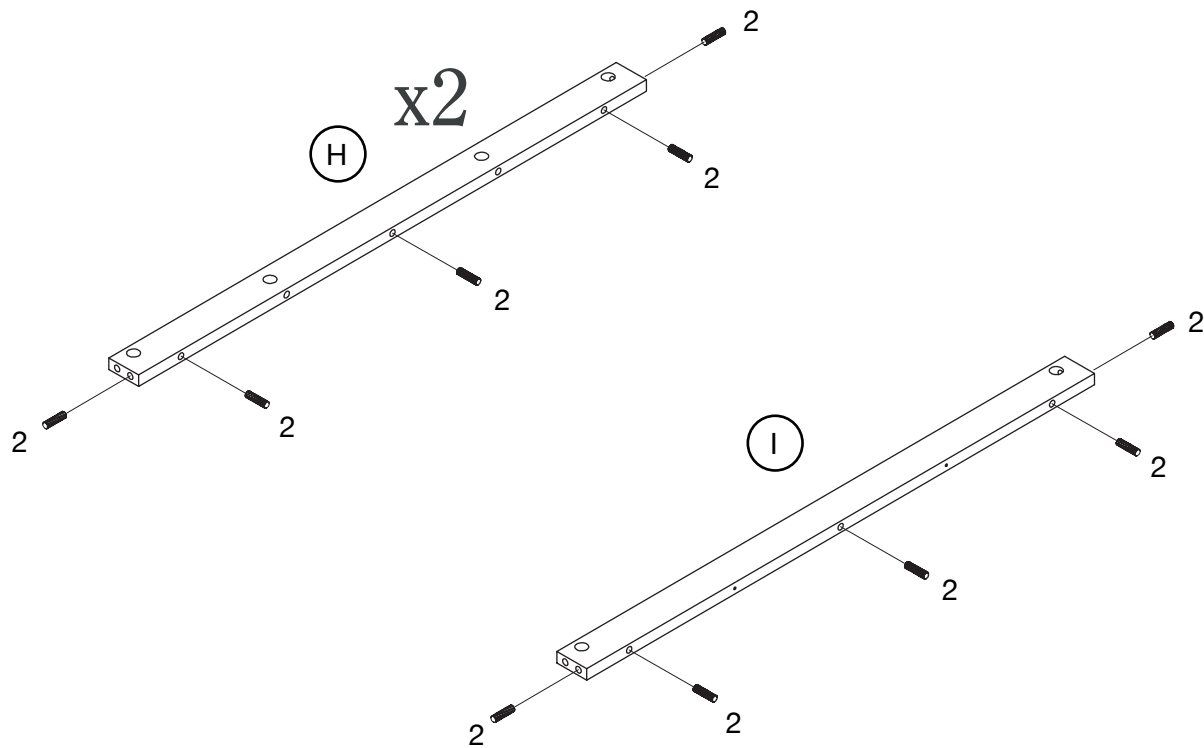


Tip from a friend to a friend: save yourself some trouble and make sure the hinge lays flat against the door when securing!

Step 2

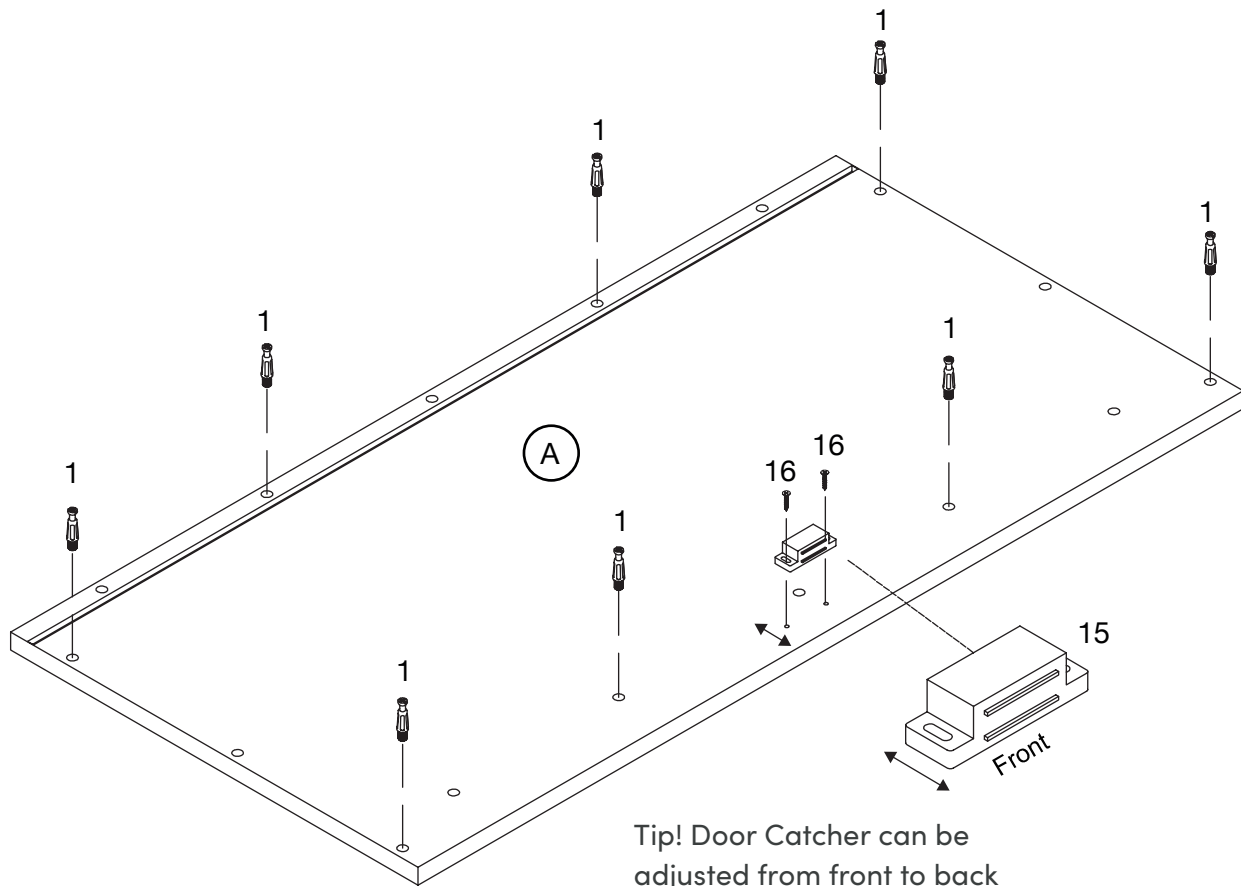
How much wood would a woodchuck chuck
If a woodchuck could chuck wood? It's time to
put in your wooden dowels (2)!

Repeat this step with both of the Top Rails (H).



Step 3

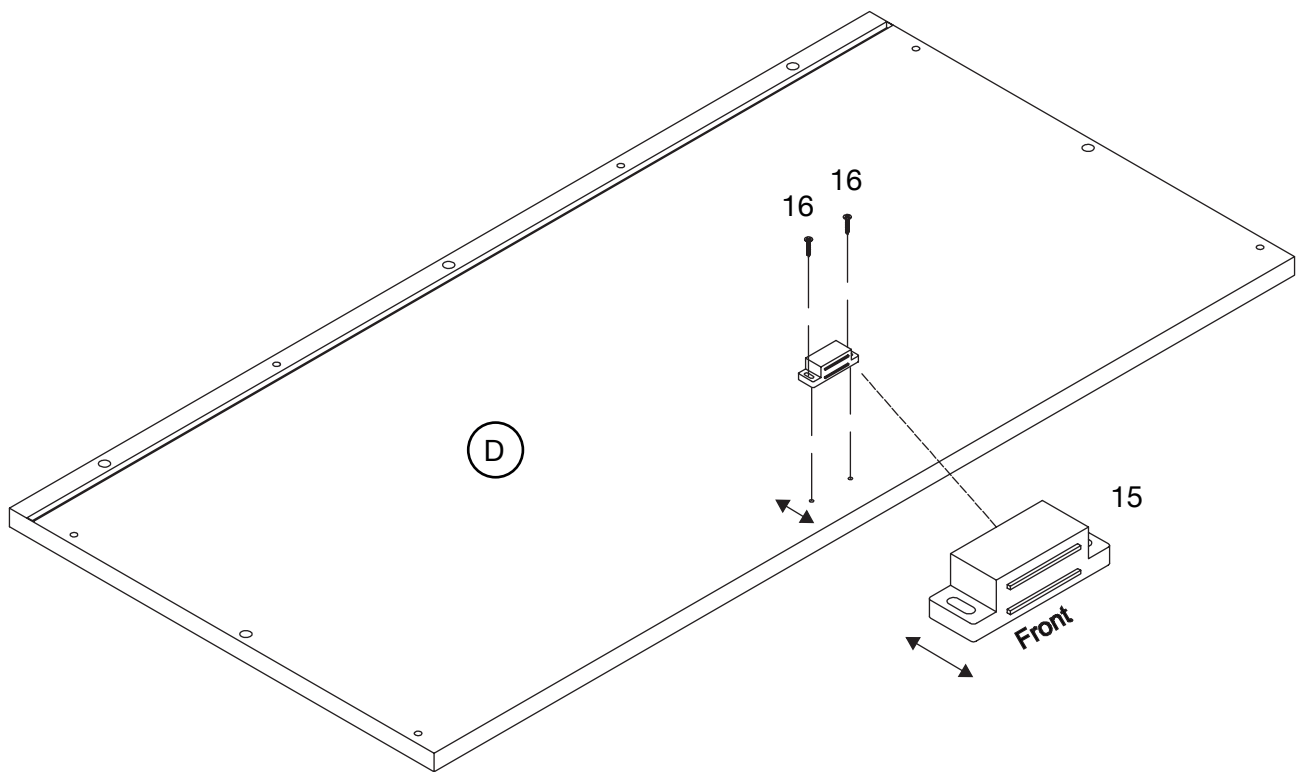
Screw the Cam Bolts (1) and Magnetic Door Catcher (15) to the Top Panel (A).



Tip! Door Catcher can be adjusted from front to back for proper door alignment.

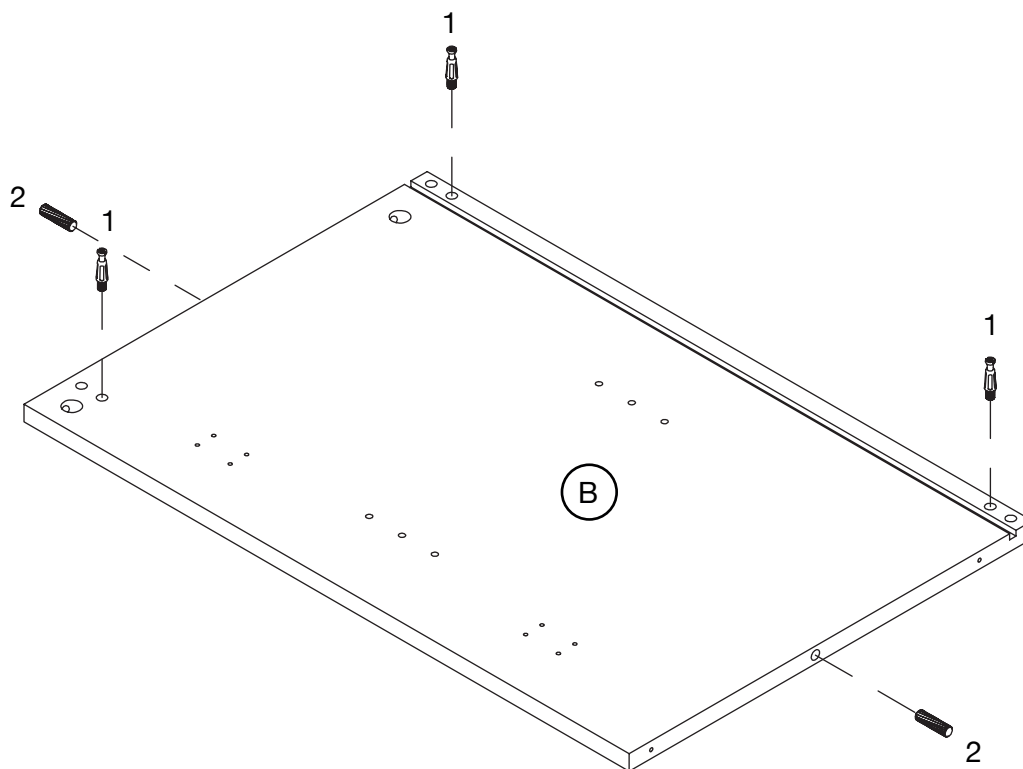
Step 4

Attach the other Magnetic Door Catcher (15) to the Bottom Panel (D).



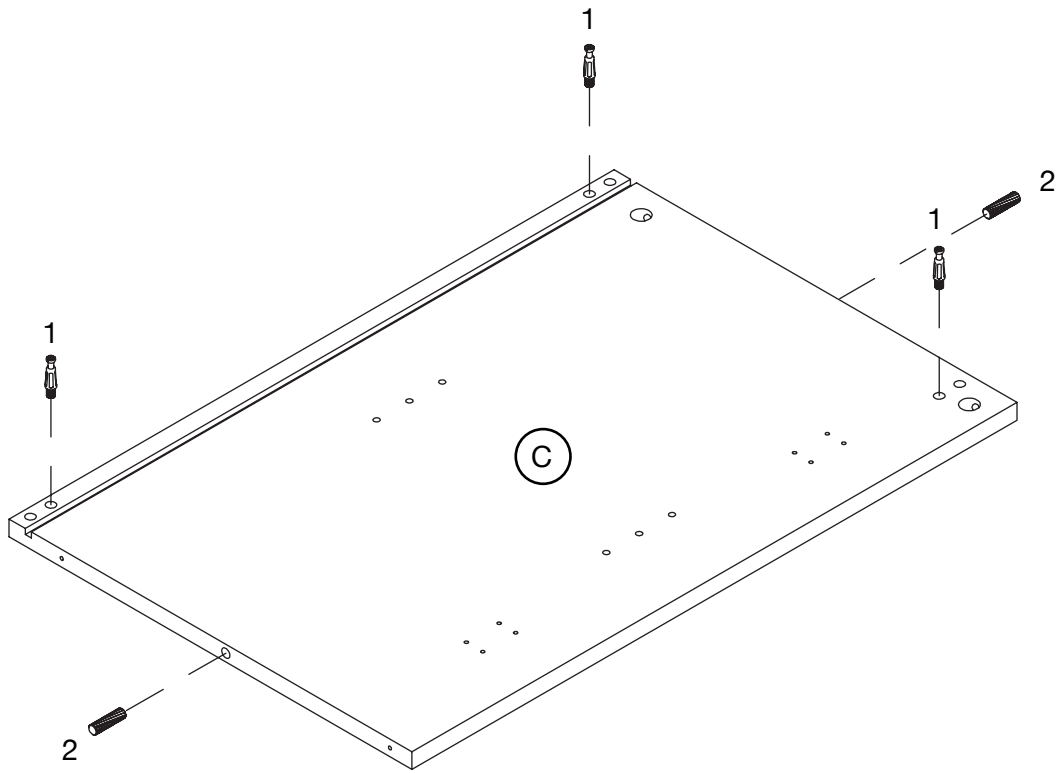
Step 5

Secure the Cam Bolts (1) and Wooden Dowels (2) to the Left Side Panel (B).



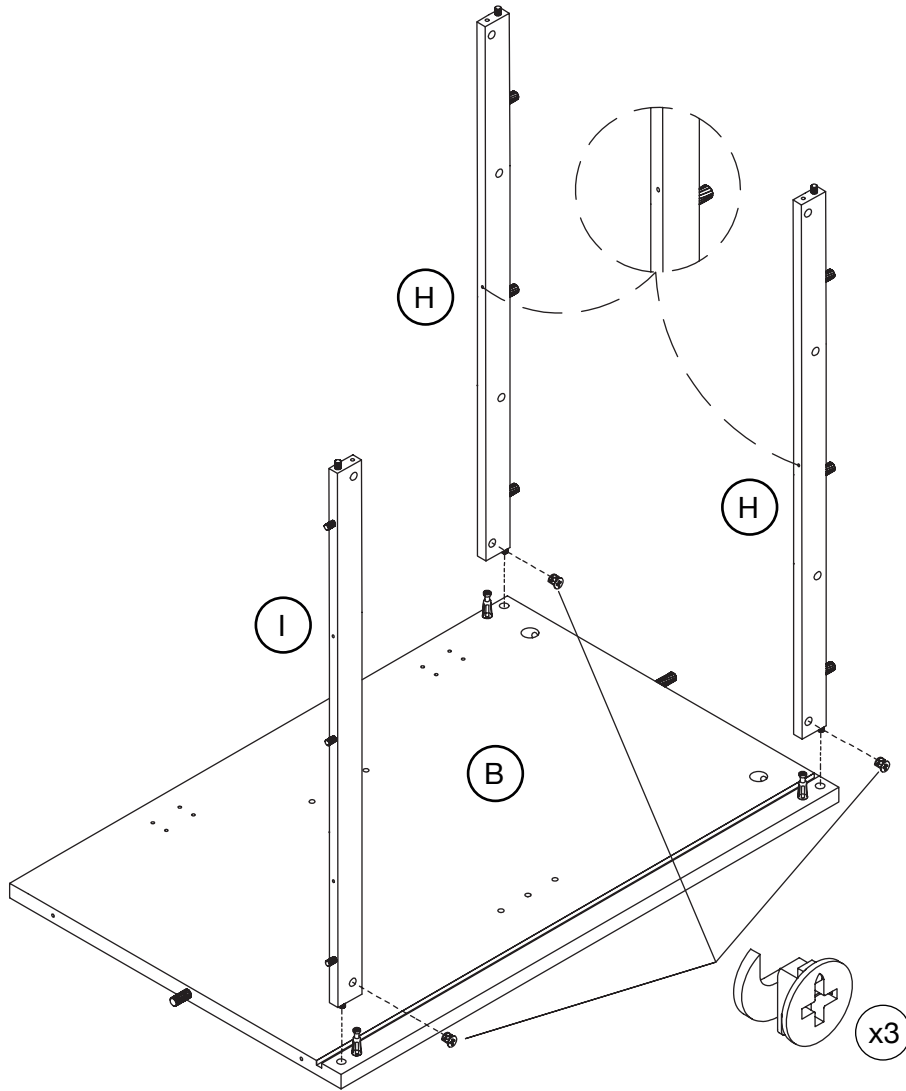
Step 6

No, this isn't Deja Vu! Repeat Step 5 with the Right Side Panel (C).



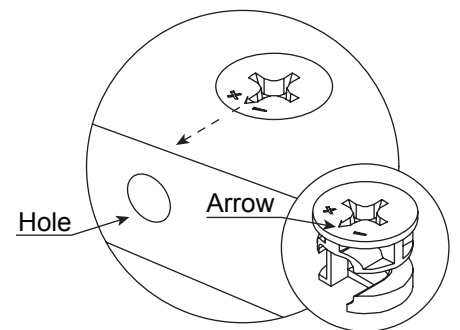
Step 7

Attach the Top Rails (H) and Bottom Back Rail (I) to Left Side Panel (B) using the Cam Locks (3).



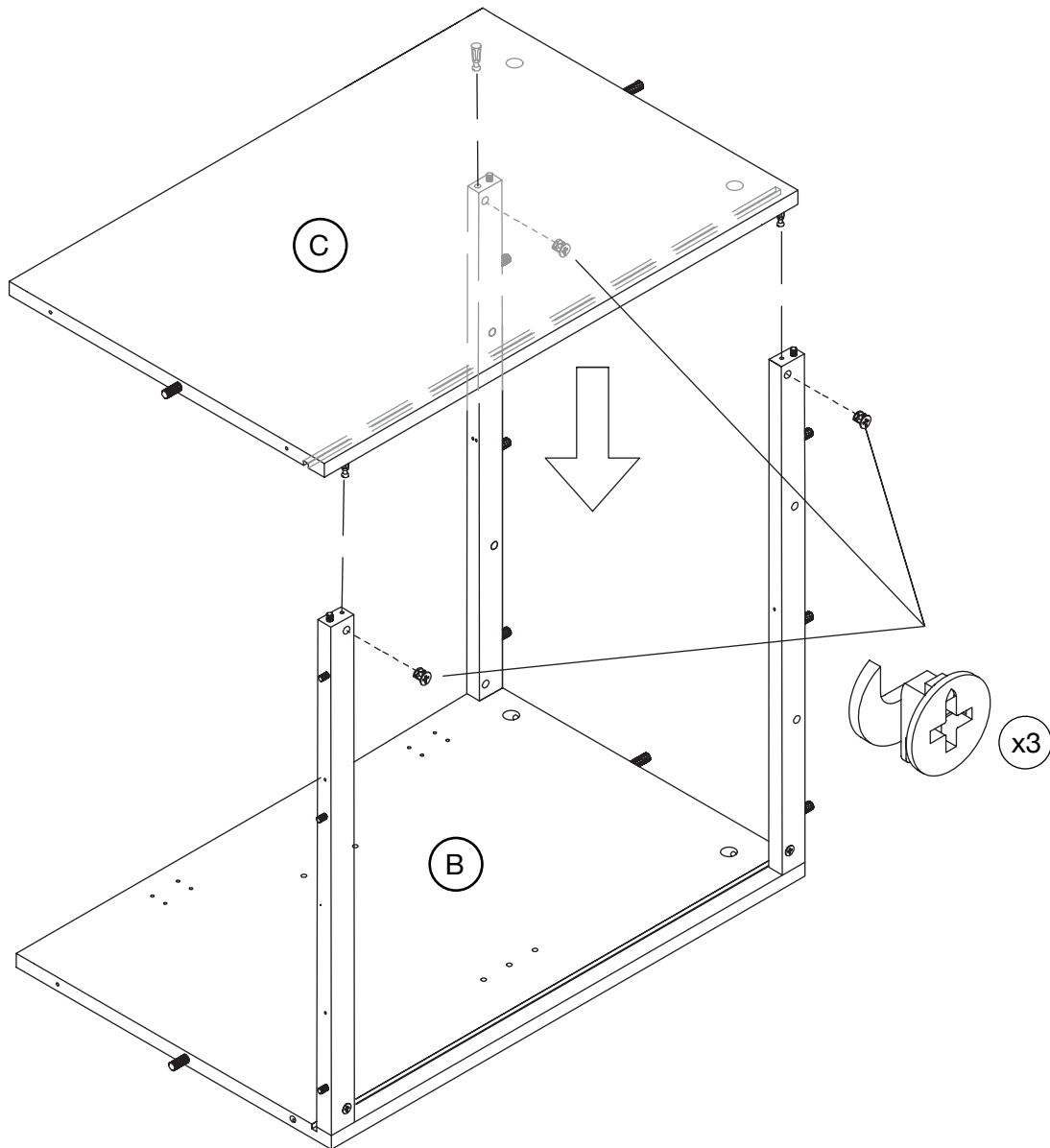
Important Note:

The cam lock must point toward the hole on the edge of the board.



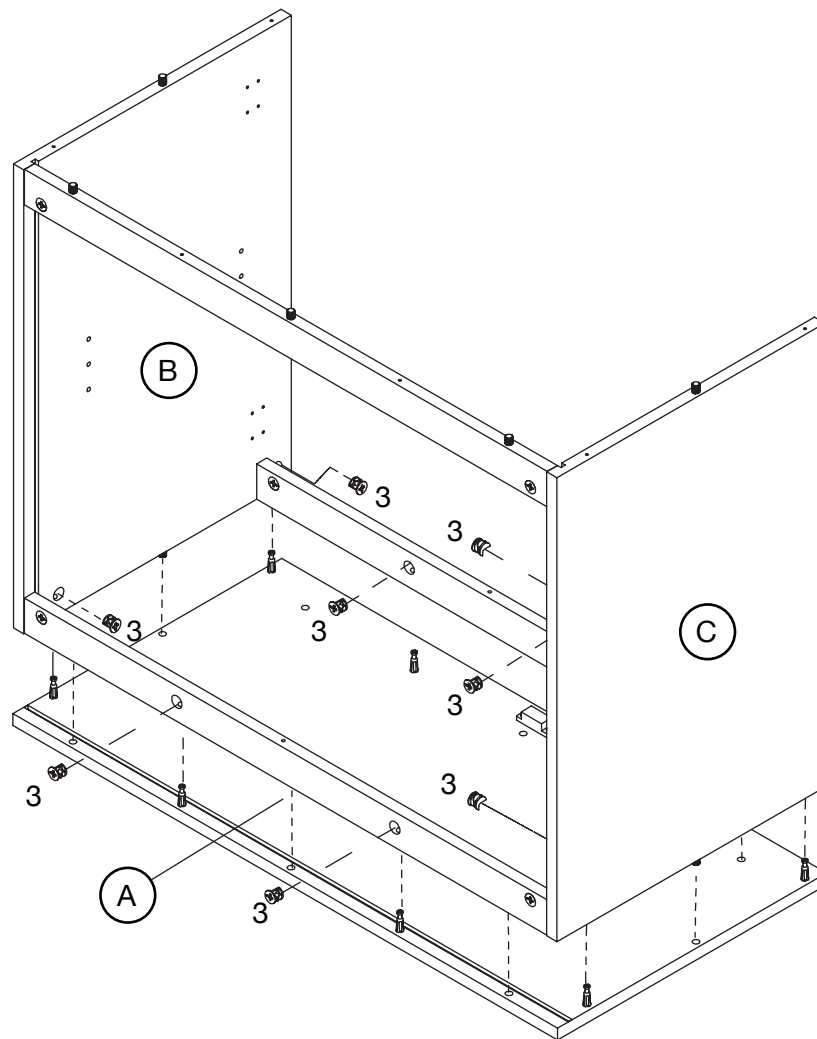
Step 7 cont.

Next, attach the Right Side Panel (C) to the Top Rails (H) and Bottom Rack Rail (I) using the Cam Locks (3).



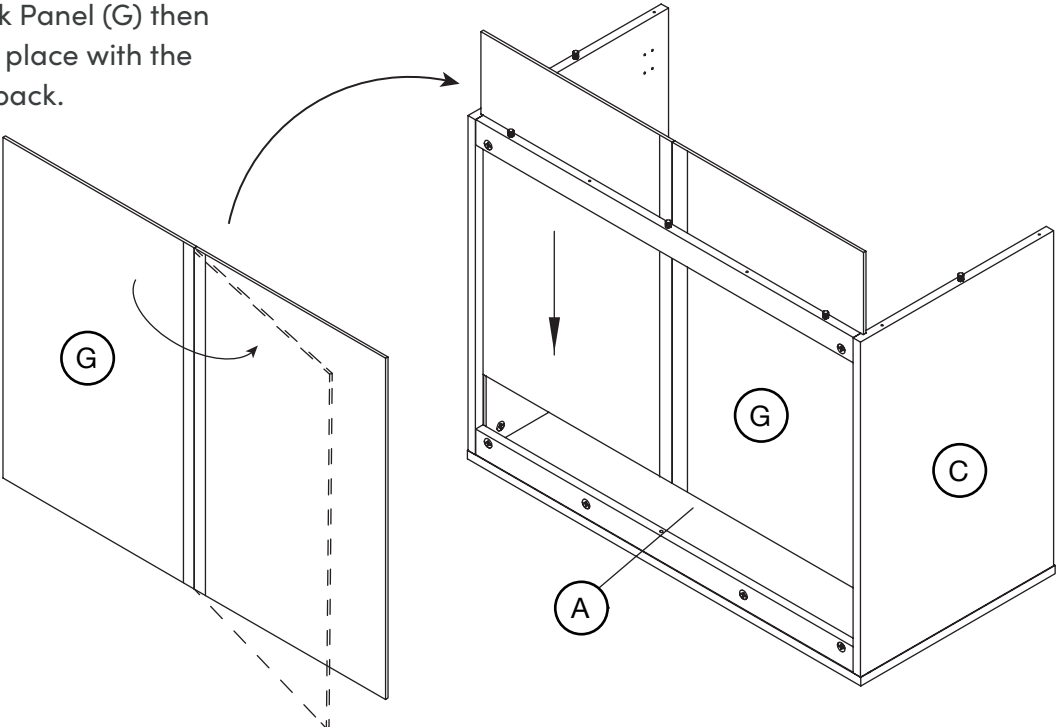
Step 8

Using the Cam Bolts (A) again, secure the Top Panel to what you built from Step 7.
Spoiler alert: you're over halfway finished!



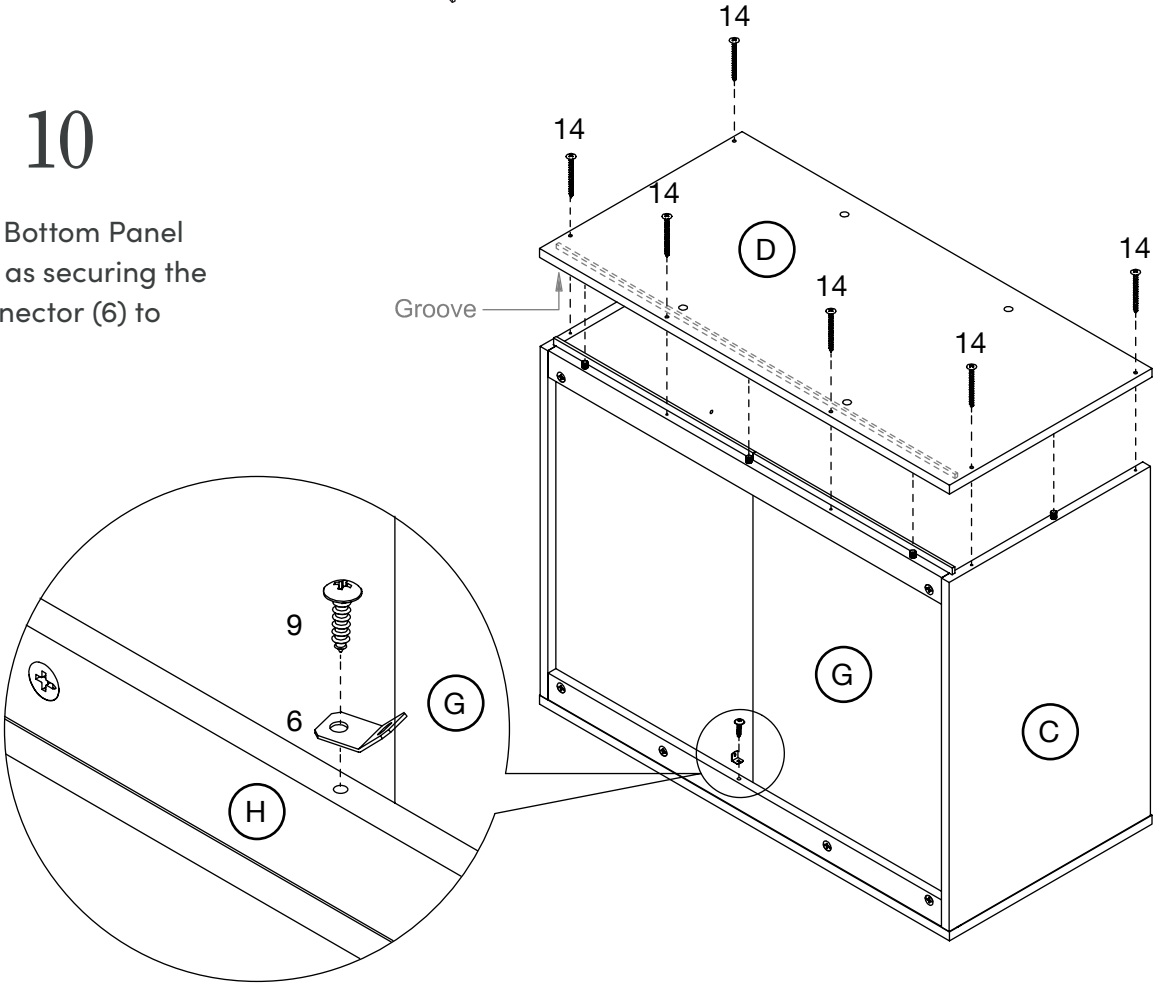
Step 9

First, unfold the Back Panel (G) then carefully slide it into place with the taped seam facing back.



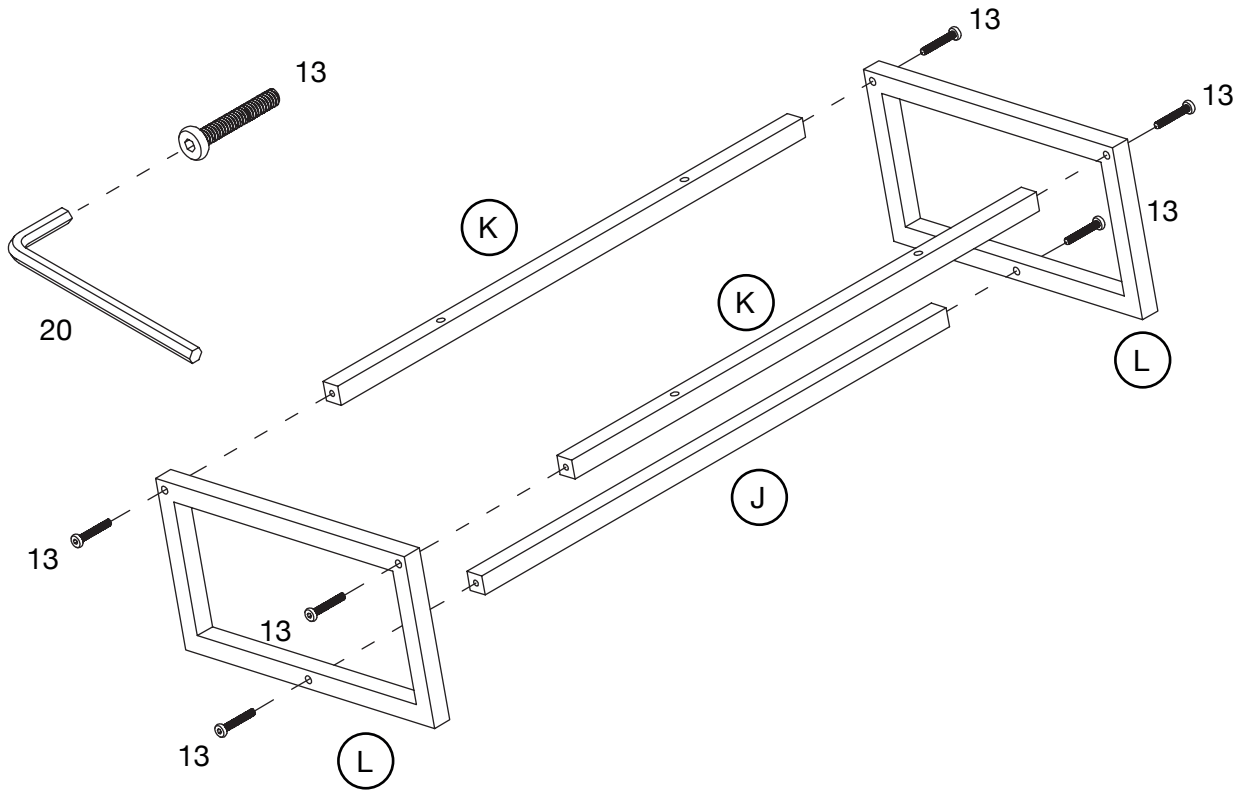
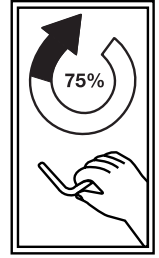
Step 10

Attach the Bottom Panel (D) as well as securing the Metal Connector (6) to Part H.



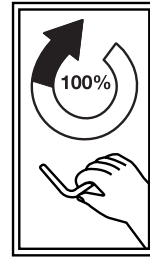
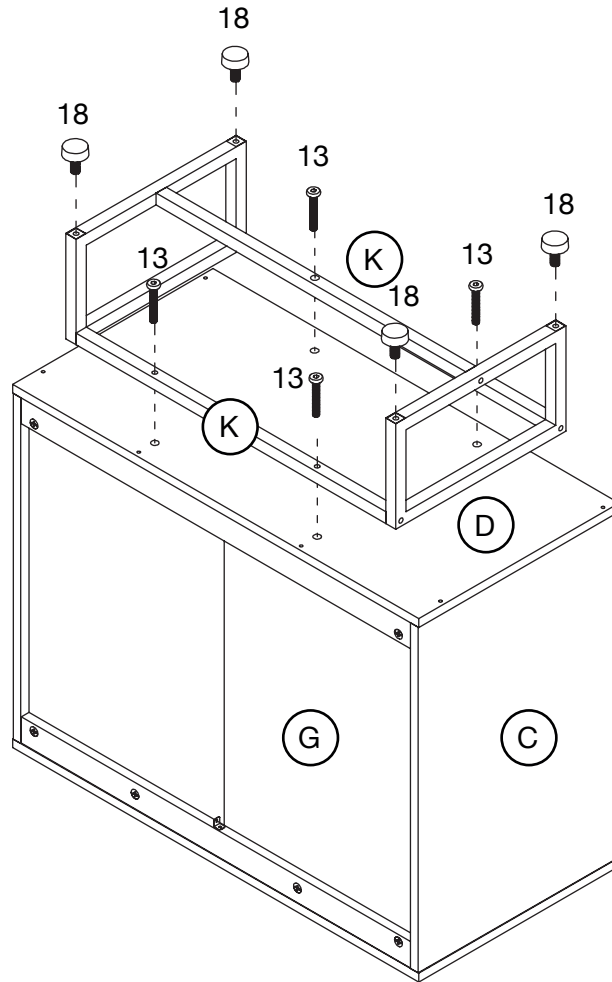
Step 11

Time to get the legs built! We take leg day very seriously around here. Using the provided Allen Key, tighten all pieces shown to 75%.



Step 12

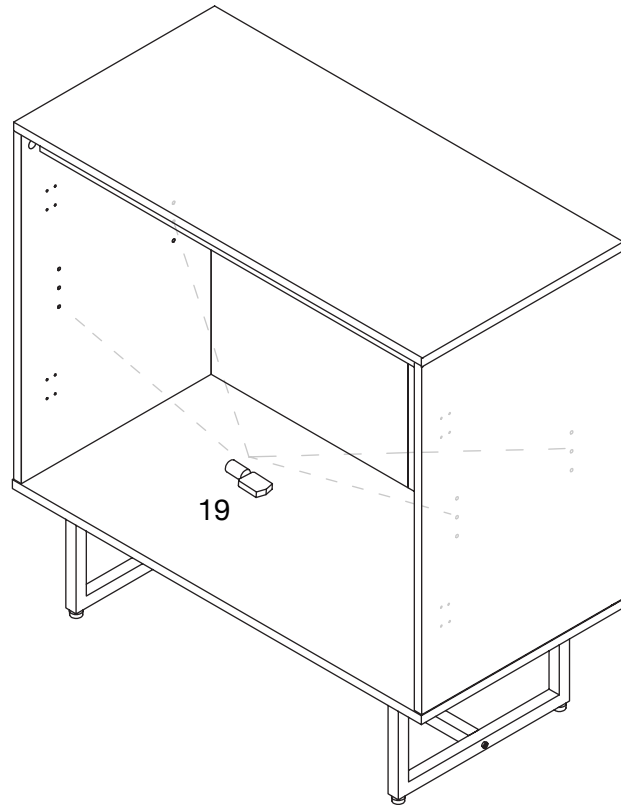
Time to get those gorgeous legs onto the unit! You can tighten these bolts to 100%. Once tightened, twist on the Adjustable Levelers (18) to the corner of the legs.



Now would be a great time to grab a sparkling water or snack as we head into the final steps!

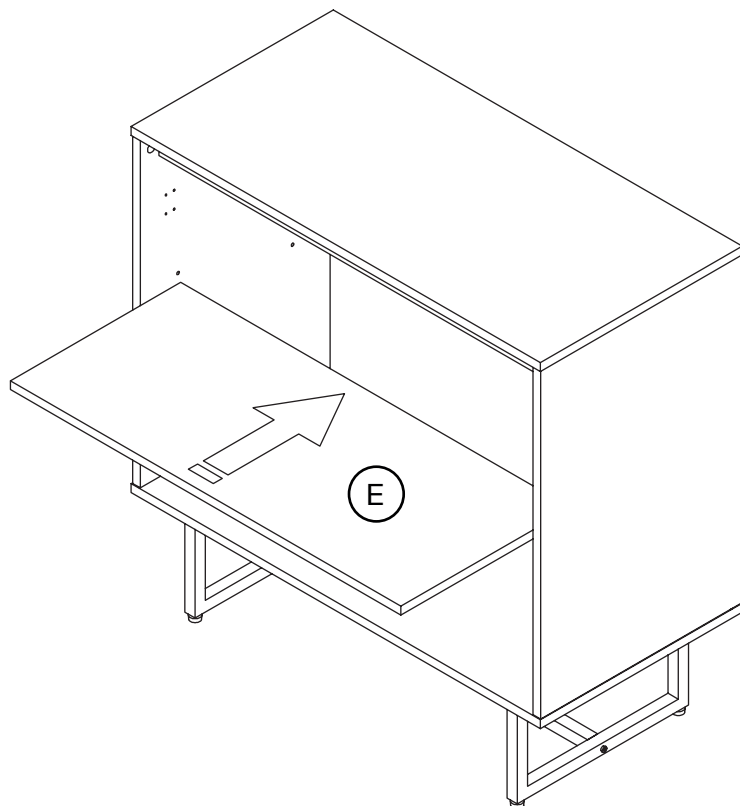
Step 13

Carefully flip the unit over (grab a friend if you need help!) and twist on the Metal Supports (19) to where you want your shelf to rest.



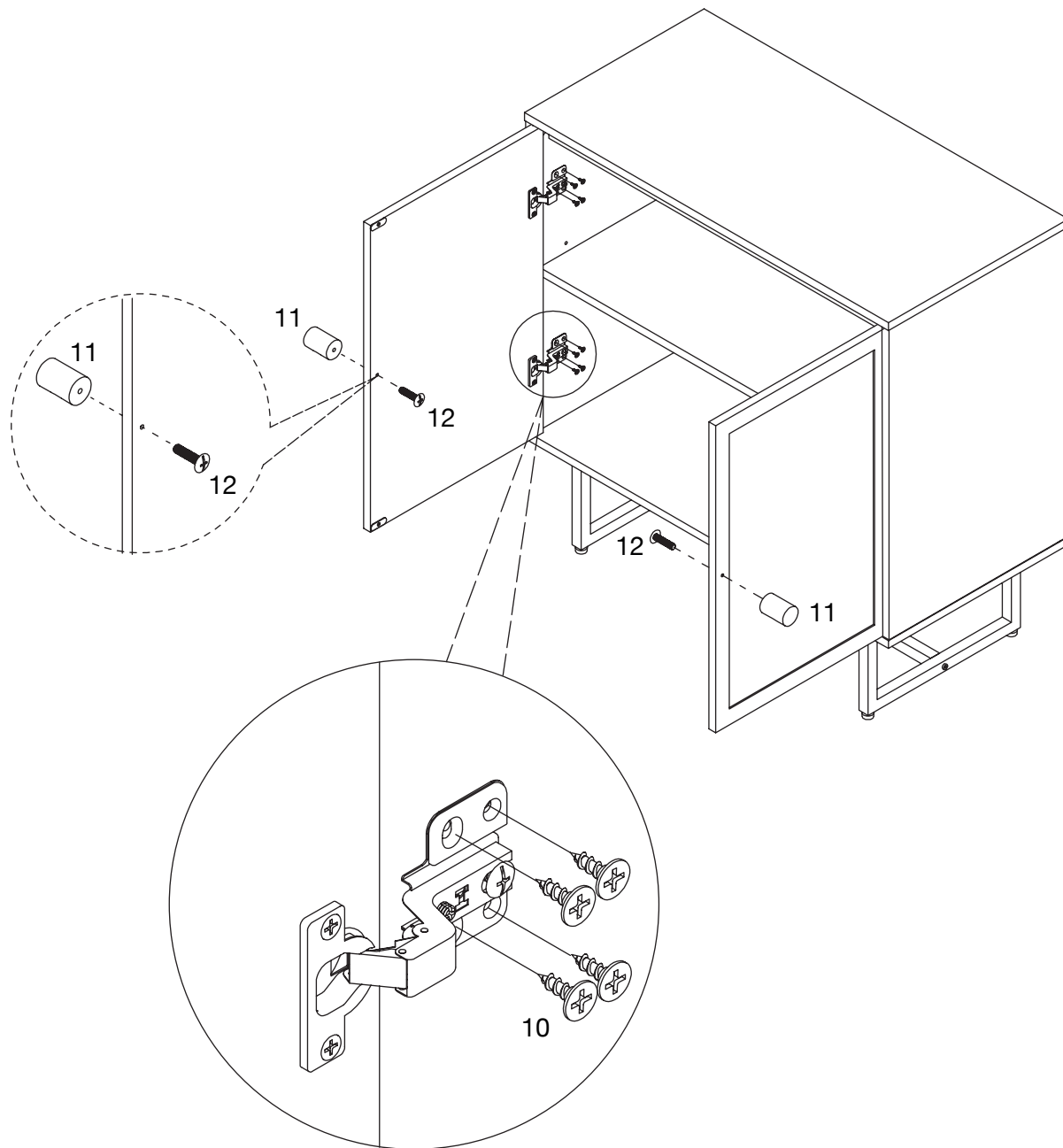
Step 14

Is it just us or is it extremely satisfying to finally put that shelf in? It's all coming together!



Step 15

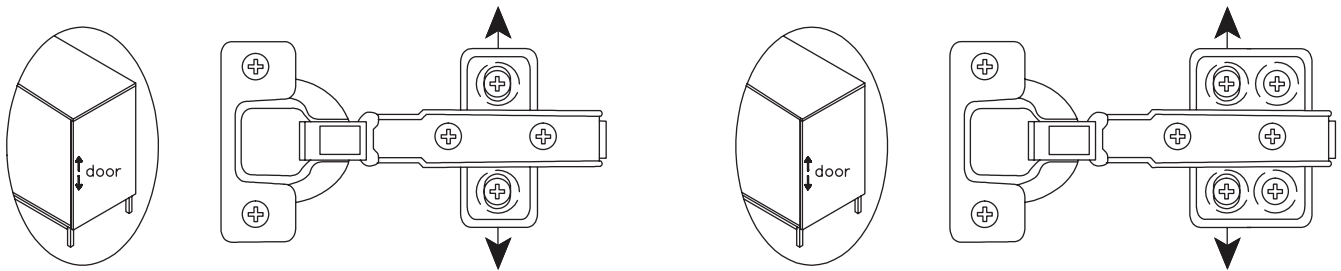
Let's get those doors and handles on and then you're two steps away from being done! We're sorry to keep you from your Netflix series for so long.



Is your cabinet door looking crooked or unevenly spaced?

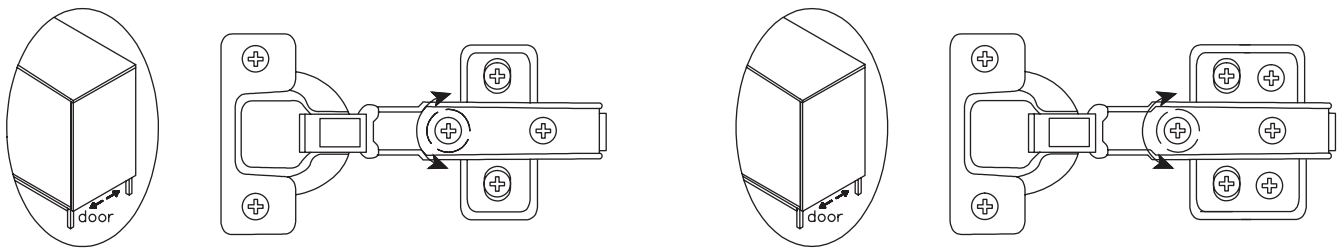
Then you've come to the right place. Follow the illustrations below to get your cabinet door aligned and ready for action.

If your door is too low or too high...



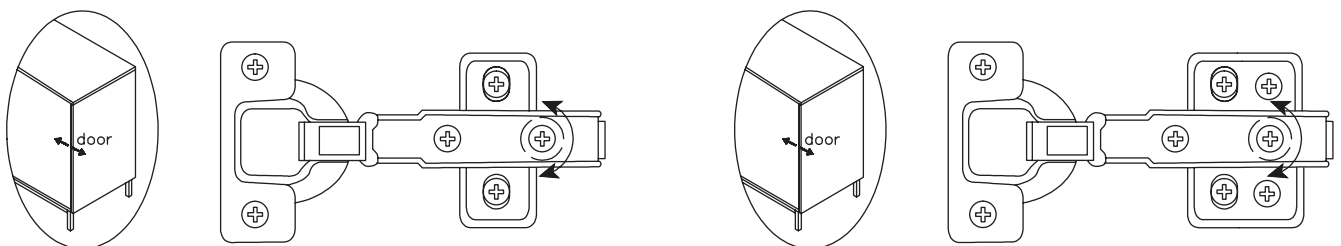
Loosen the height screws, then move the door up or down to make it level.

If the space between your doors is off...



Loosen the side-to-side screws, then screw counter-clockwise to make the gap wider or clockwise to close any gaps.

If you need to adjust the depth of the doors...

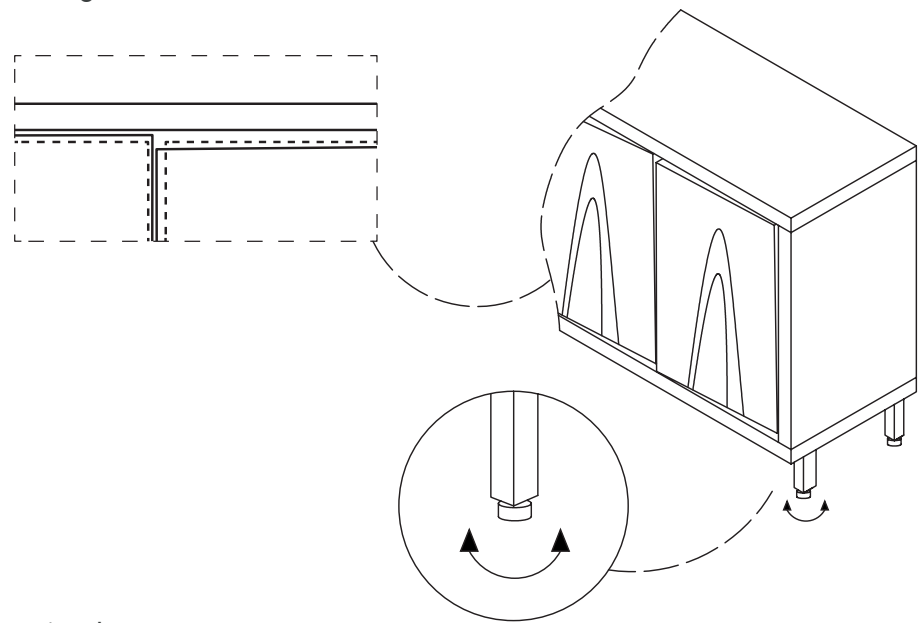


Adjust the in-and-out screws until the door is aligned with the side of the cabinet.

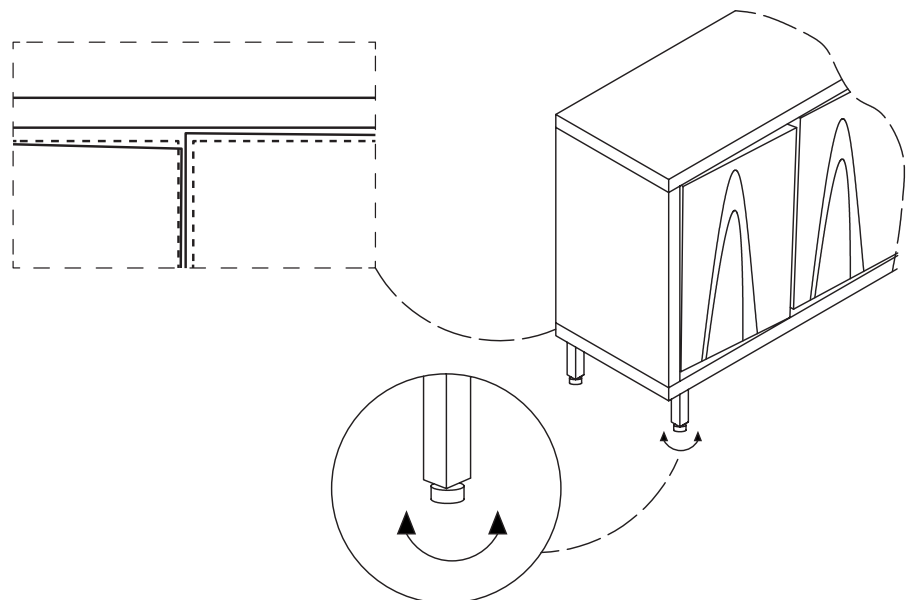
Is your cabinet door looking crooked or unevenly spaced? (Cont.)

If you're still having trouble lining everything up, your next step should be to try to adjust the feet slightly to square up the cabinet & doors. Follow the illustrations below:

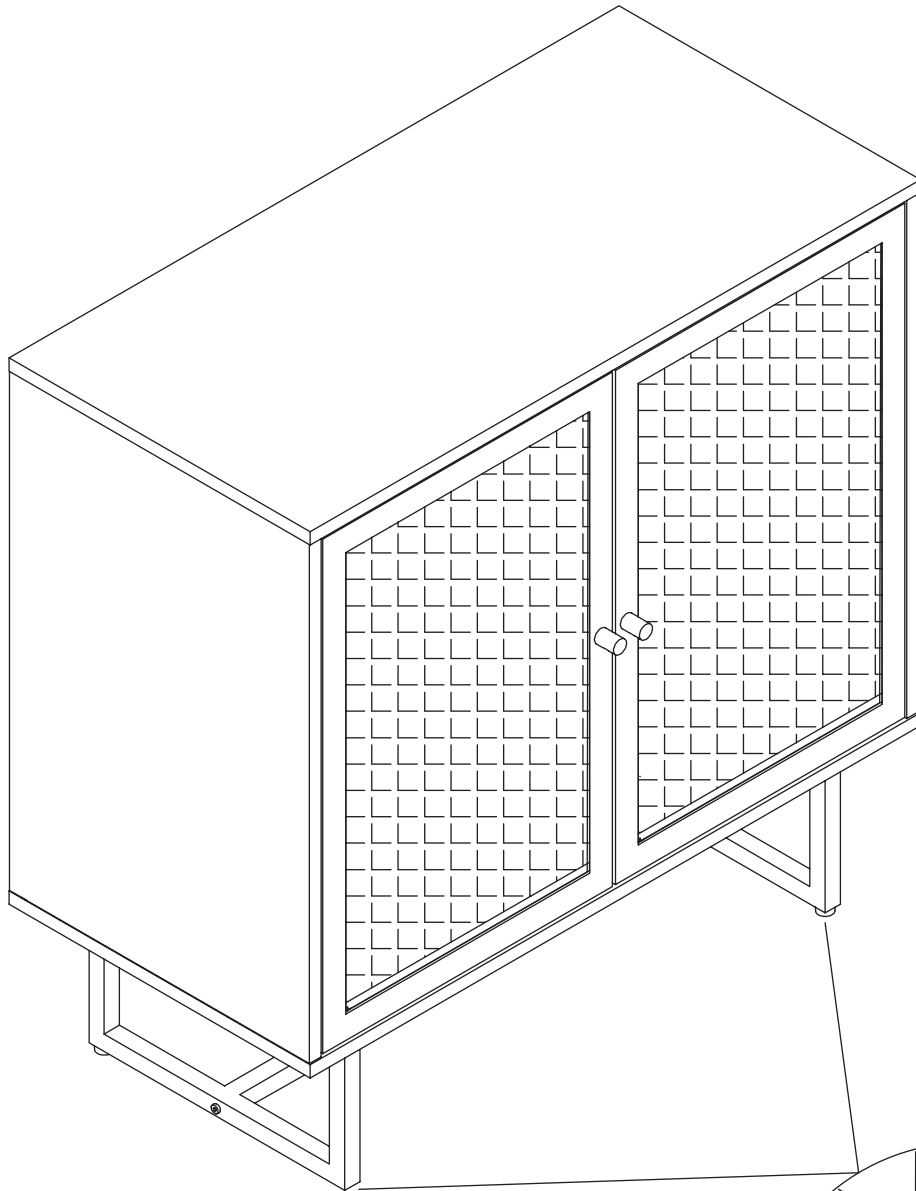
If the right door appears to be hanging low, you can adjust the adjustable leveler on the front right until the door is better aligned.



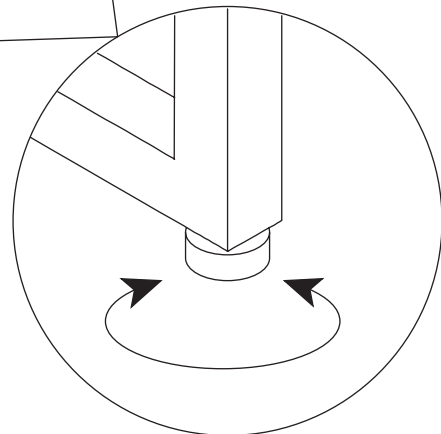
If the left door appears to be hanging low, you can adjust the adjustable leveler on the front left until the door is better aligned.



Step 16

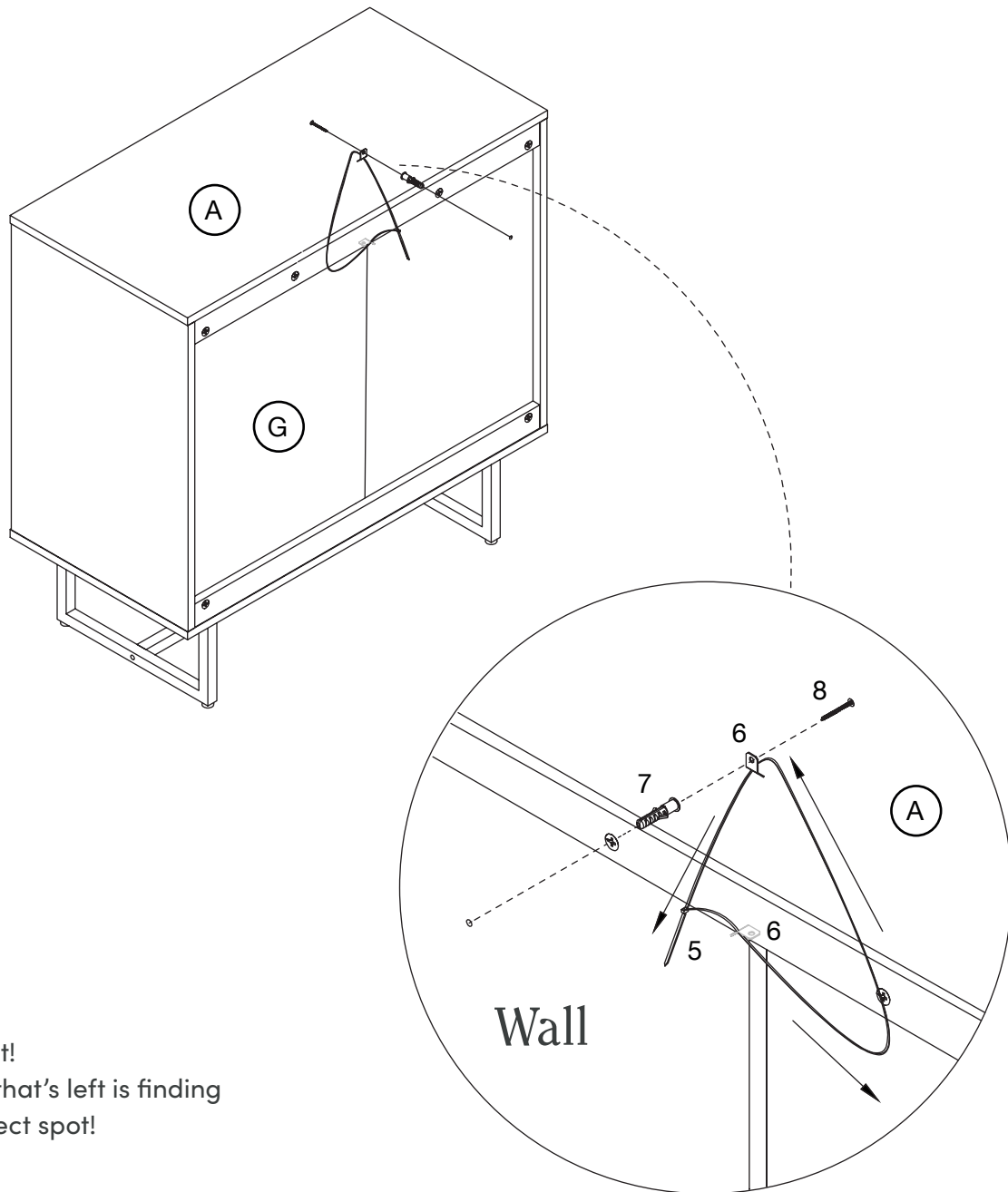


Wobbly or unlevel?
Adjust feet until stable!



Step 17

Our favorite step! Because it's the last step! Take your beautiful cabinet and secure it to the wall by looping the Plastic Strip (5) through the Metal Connector (6) and screwing it into the wall using the Wall Anchor (7).



You did it!
Now all that's left is finding
the perfect spot!

No heartburn, when we handle the return

Their way



Re-package item



Schedule pick up



Track package



Replacement



You

We really don't want you to go through the hassle of re-packaging your item and sending it back, because let's be honest...nobody has time for that.

Safety first, fun later

We want your Cabinet to last as long as possible, so we recommend that you tighten the screws 2 weeks after assembly and for added safety check the tightness of all screws every 2 months.

Safe use of this product starts with you.

Use this cabinet responsibly with the primary concern for your safety. Follow assembly instructions carefully and inspect product upon receipt and each use.

Do not modify the structure of this product in any way.

Our products have been tested to meet specific safety measures as they were originally intended to be sold.

Proper use

- DO NOT** use for commercial purposes
- DO NOT** climb on storage unit
- DO NOT** exceed weight limit
- DO NOT** leave spilled liquid on storage unit
- DO NOT** use if storage unit is damaged or broken
- DO NOT** make temporary repairs
- DO NOT** use outdoors