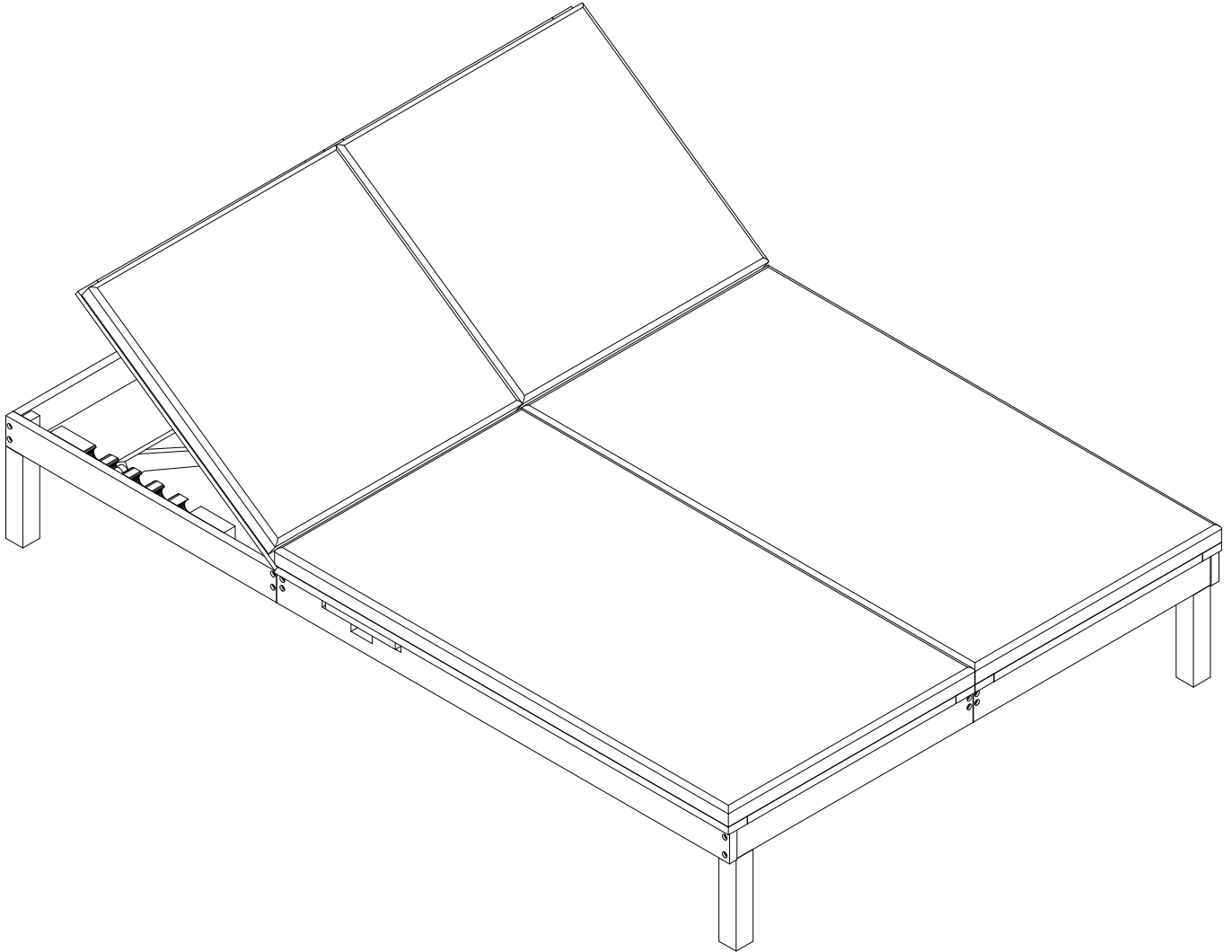


Outdoor Chaise Lounger



Please read all instructions carefully:

- 1. Have 2 adults on hand for assembly.**
- 2. 50% Tighten before fixing all screws, Allen wrench is**
- 3. Place the item on a flat ground to adjust and make sure it remains stable.**
- 4. Tighten up all screws with tools gradually.**
- 5. If the screws are not aligned with holes during assembly, please loosen all the other screws to 50% and continue the assembly process.**
- 6. If the item is not stable, please loosen all the screws, adjust it on a flat ground and tighten up all screws again.**
- 7. Note : If one or some screws are fully tightened during assembly, chances are the others will not be aligned with holes. In addition, all the holes are designed to be relatively larger to provide more space for the adjustment of the screws.**

Assembly Instruction

Caution: You must read these Assembly Instructions before you proceed.



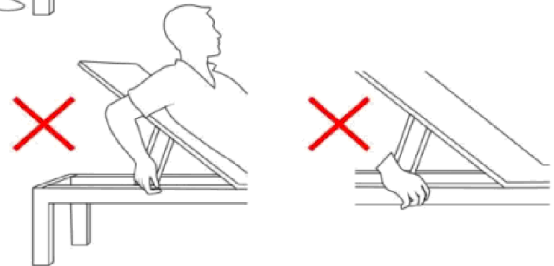
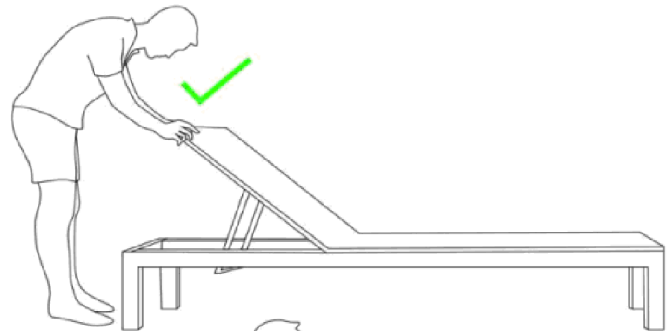
SAFETY WARNING

Never adjust chaise lounge or recliner backrest while seated.

Always make sure the backrest is flat before moving the chaise lounge.










Keep all limbs clear from under the backrest when it is in a raised position.

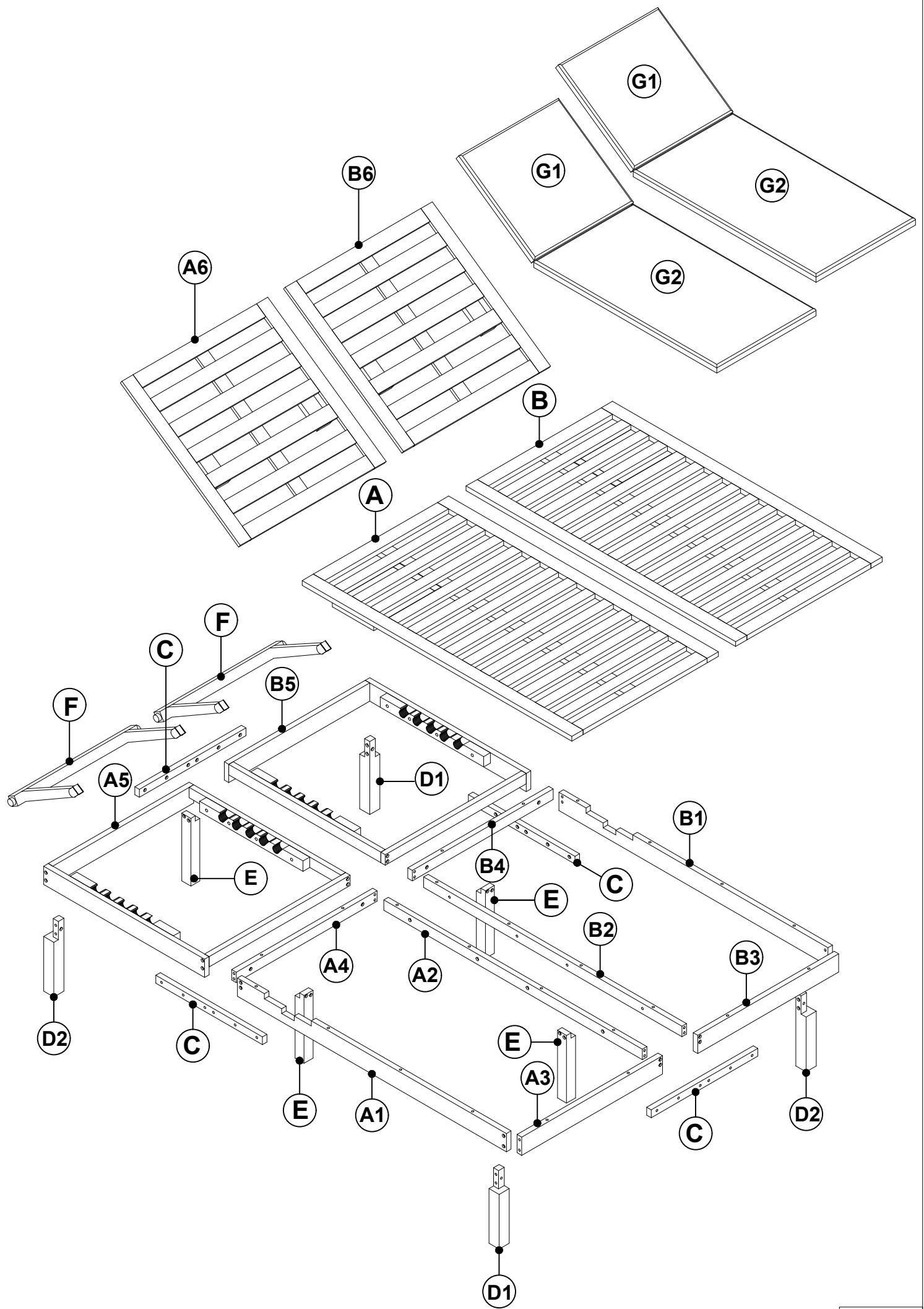
Serious finger, hand, or other bodily injuries may result from adjusting the chaise lounge backrest position while seated.



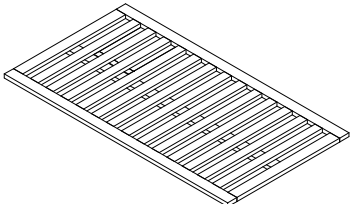
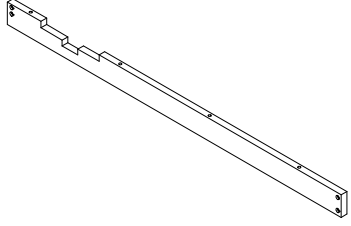
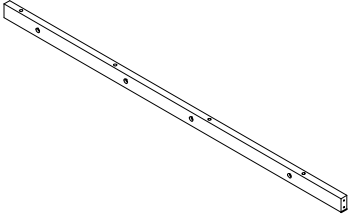
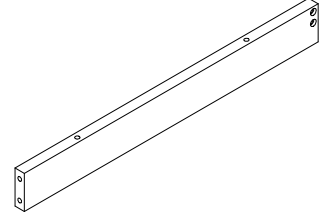
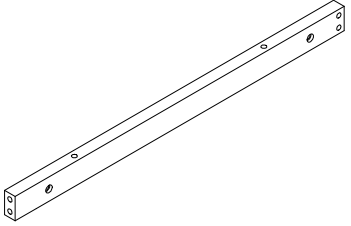
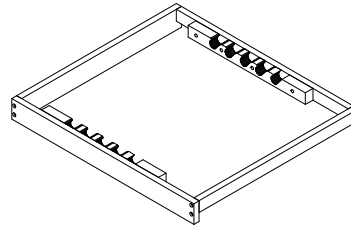
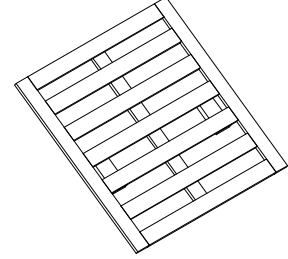
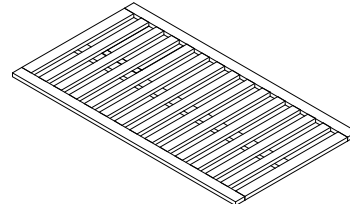
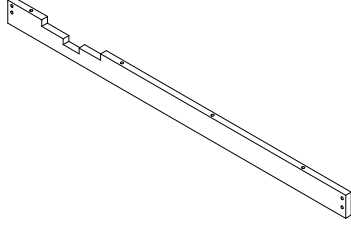
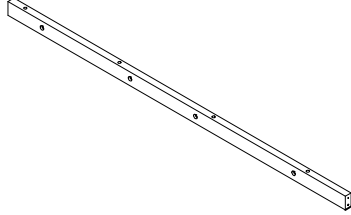
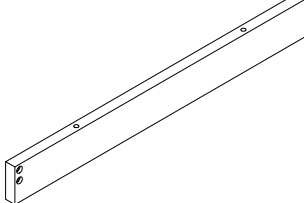
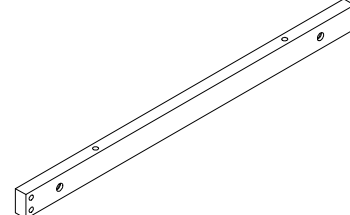
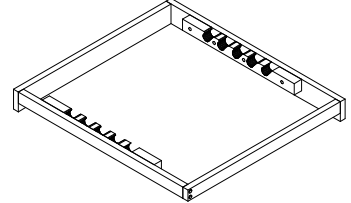
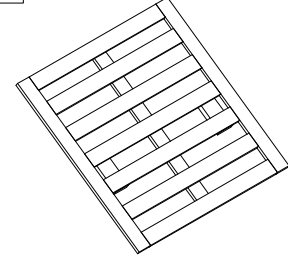
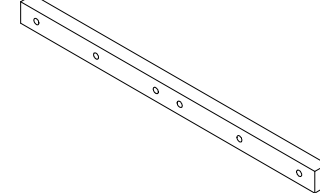



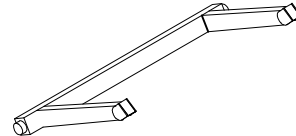
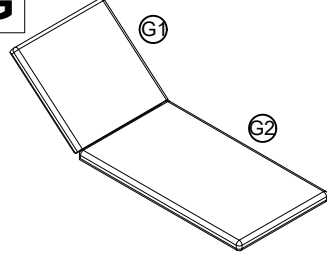
The examples pictured above are non exhaustive and are for your reference only

Care & Maintenance

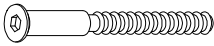


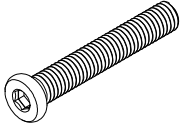
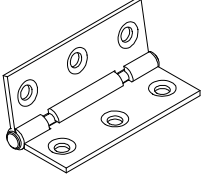
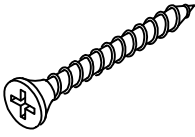
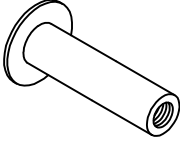
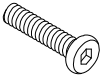
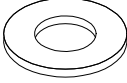
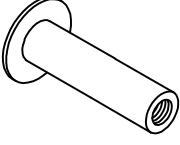
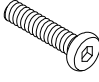
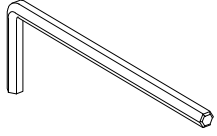
- ⊘  • Not for commercial use. For residential use only
- ⊘  • Do not put hot items directly on furniture surface.
- ⊘  • Do not clean furniture with harsh cleansers or polish.
- ✓  • To obtain the longest lifespan of your outdoor products, minimizing exposure to direct sunlight is recommended.
- ⊘  • Children should not climb or jump on the furniture.
- ⊘  • Do not write on furniture without a padded barrier to protect the surface.
- ✓  • To obtain the longest lifespan of your outdoor products, avoid extended and lengthy exposure to rain, snow, and direct sunshine. Whenever possible cover the product and /or place under patio or awnings.
- ⊘  • Stains may be removed with mild soap solution and damp cloth..
- ✓  • Dust and pick-up spills using a clean, non-colored, lint-free cloth.



Part List :

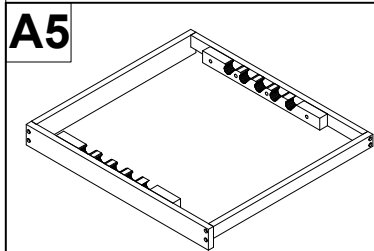
<p>A</p>  <p>Left Seat Panel (1pcs)</p>	<p>A1</p>  <p>Left side rails (1pc)</p>	<p>A2</p>  <p>Left middle rails (1pc)</p>	<p>A3</p>  <p>Left front rails (1pc)</p>
<p>A4</p>  <p>Left back rails (1pc)</p>	<p>A5</p>  <p>Left Backrest Panel (1pc)</p>	<p>A6</p>  <p>Left Backrest Slat (1pc)</p>	<p>B</p>  <p>Right Seat Panel (1pcs)</p>
<p>B1</p>  <p>Right side rails (1pc)</p>	<p>B2</p>  <p>Right middle rails (1pc)</p>	<p>B3</p>  <p>Right front rails (1pc)</p>	<p>B4</p>  <p>Right back rails (1pc)</p>
<p>B5</p>  <p>Right Backrest Panel (1pc)</p>	<p>B6</p>  <p>Right Backrest Slat (1pc)</p>	<p>C</p>  <p>Connect Rail (4pcs)</p>	<p>D1</p>  <p>First Leg (2pcs)</p>
<p>D2</p>  <p>Second Leg (2pcs)</p>	<p>E</p>  <p>Support leg (4pcs)</p>	<p>F</p>  <p>Lifting Bar (2pcs)</p>	<p>G</p>  <p>G1: Back Cushion (2pcs) G2: Seat Cushion (2cps)</p>

Hardware list

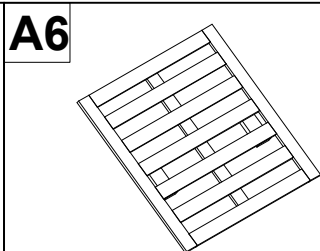
<p>1</p>  <p>Screw Bolt M6x90 (12 pcs)</p>	<p>2</p>  <p>Screw M6*60 (28pcs)</p>	<p>3</p>  <p>Screw M6*30 (10pcs)</p>	<p>4</p>  <p>Bulong M6*40 (36pcs)</p>
<p>5</p>  <p>Hinge (4 pc)</p>	<p>6</p>  <p>Screw M4*20 (24pcs)</p>	<p>7</p>  <p>Blind Rivet Nut M6*20(4pcs)</p>	<p>8</p>  <p>Bulong M6*25 (4pcs)</p>
<p>9</p>  <p>Strike Plate (8pcs)</p>	<p>10</p>  <p>Blind Rivet Nut M6*35(8pcs)</p>	<p>11</p>  <p>Bulong M6*15 (8pcs)</p>	<p>12</p>  <p>Allen Key (2 pcs)</p>

CARTON CONTENT:

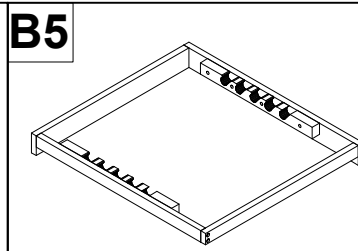
BOX 1



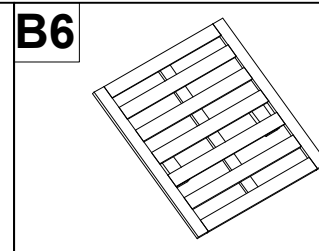
Left Backrest Panel (1pc)



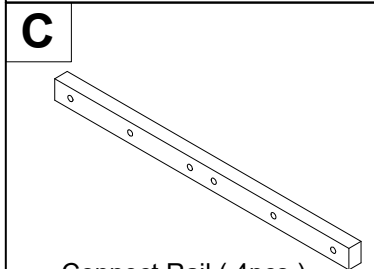
Left Backrest Slat (1pc)



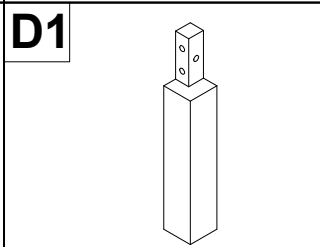
Right Backrest Panel (1pc)



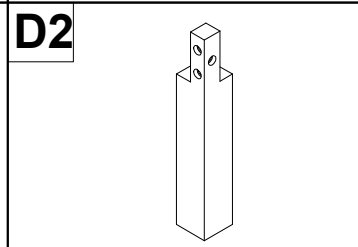
Right Backrest Slat (1pc)



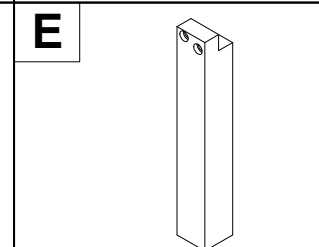
Connect Rail (4pcs)



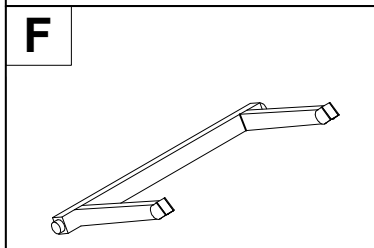
First Leg (2pcs)



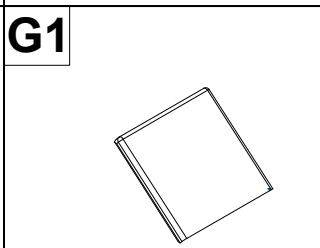
Second Leg (2pcs)



Support leg (4pcs)

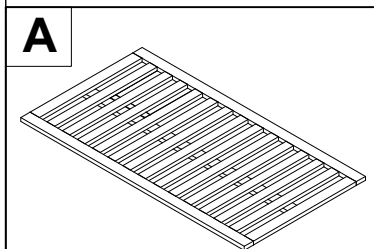


Lifting Bar (2pcs)

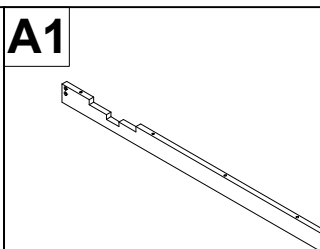


Back Cushion (2pcs)

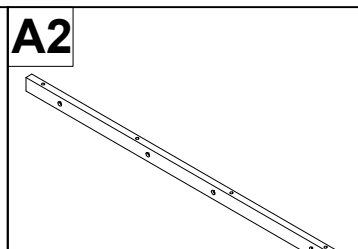
BOX 2



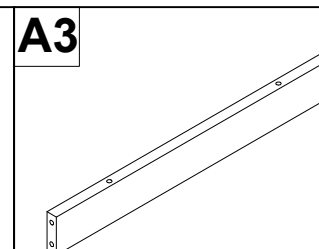
Left Seat Panel (1pcs)



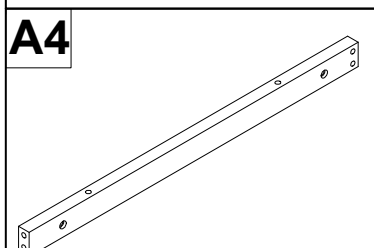
Left side rails (1pc)



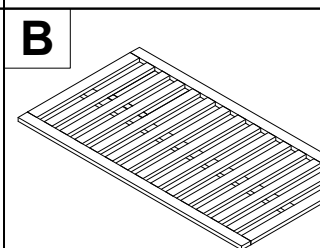
Left middle rails (1pc)



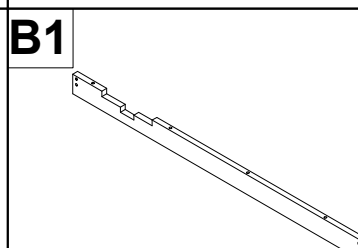
Left front rails (1pc)



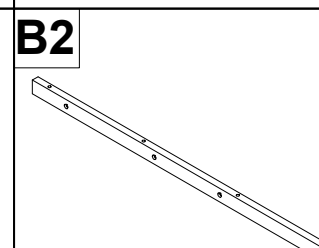
Left back rails (1pc)



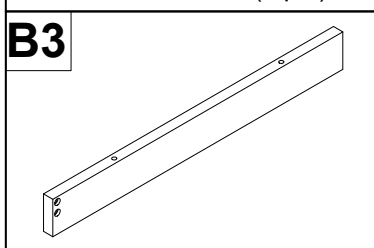
Right Seat Panel (1pcs)



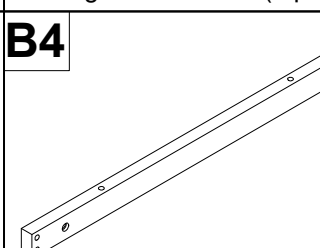
Right side rails (1pc)



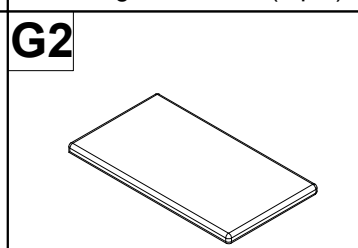
Right middle rails (1pc)



Right front rails (1pc)

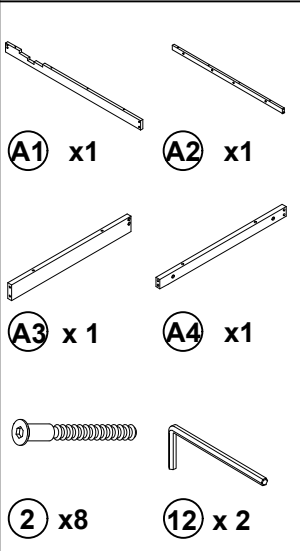
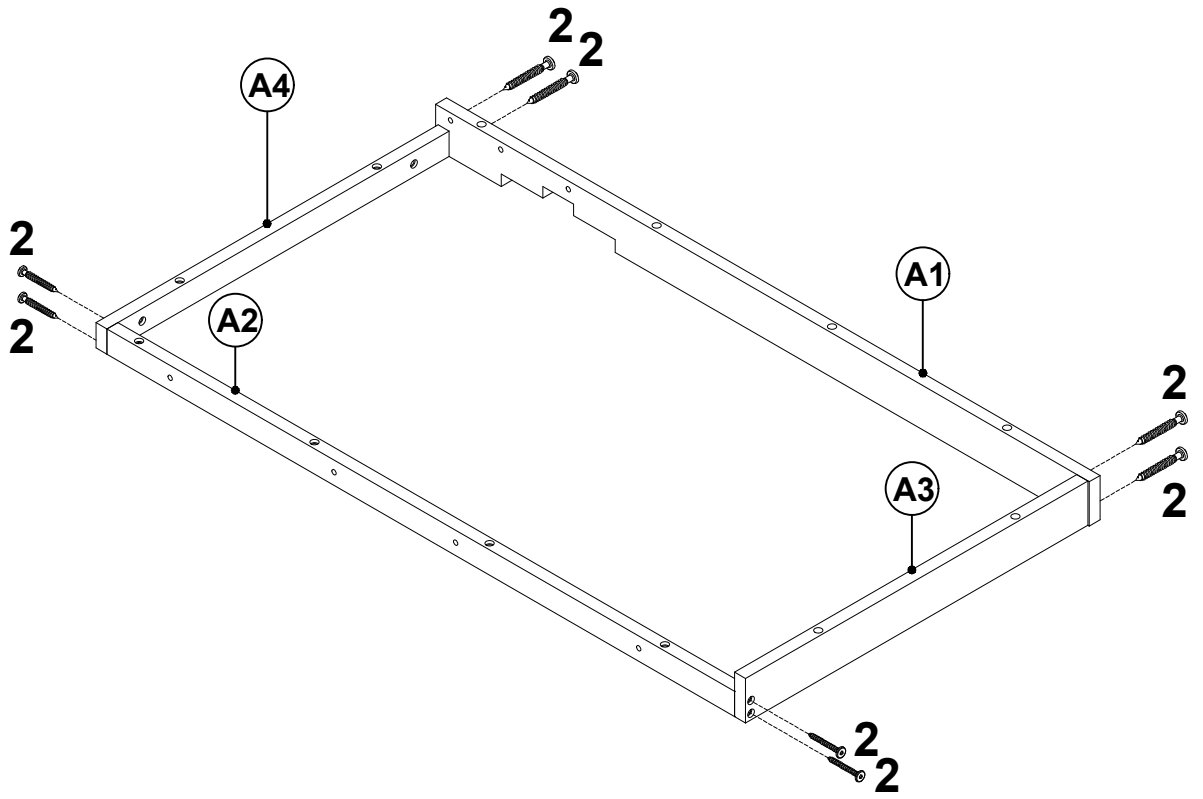
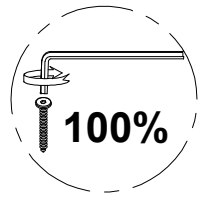


Right back rails (1pc)

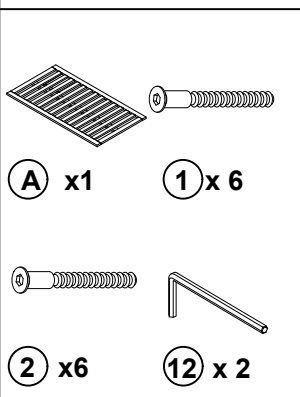
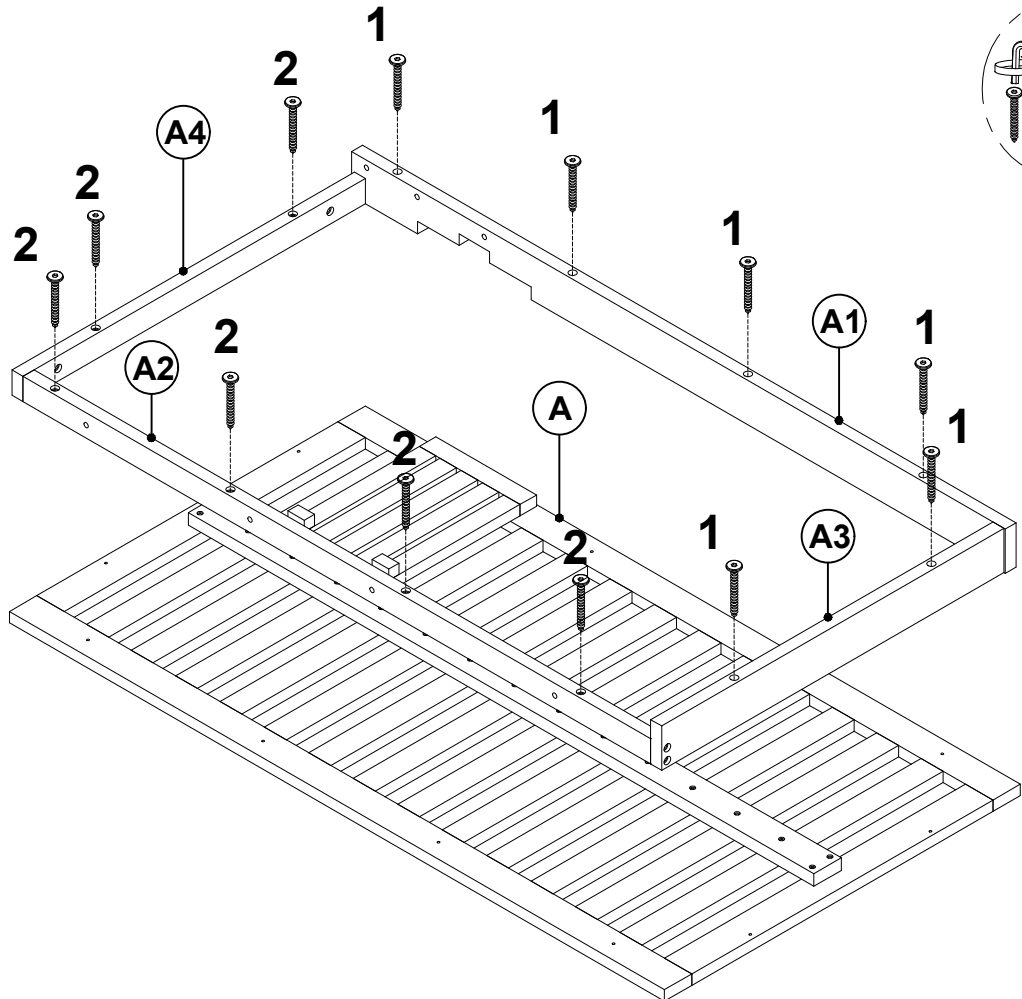
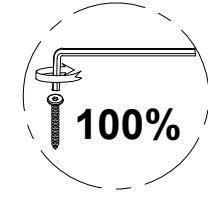


Seat Cushion (2pcs)

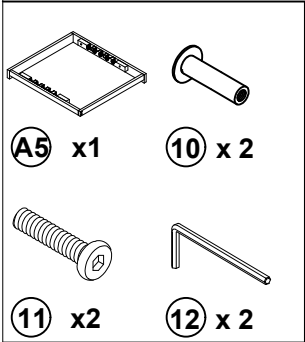
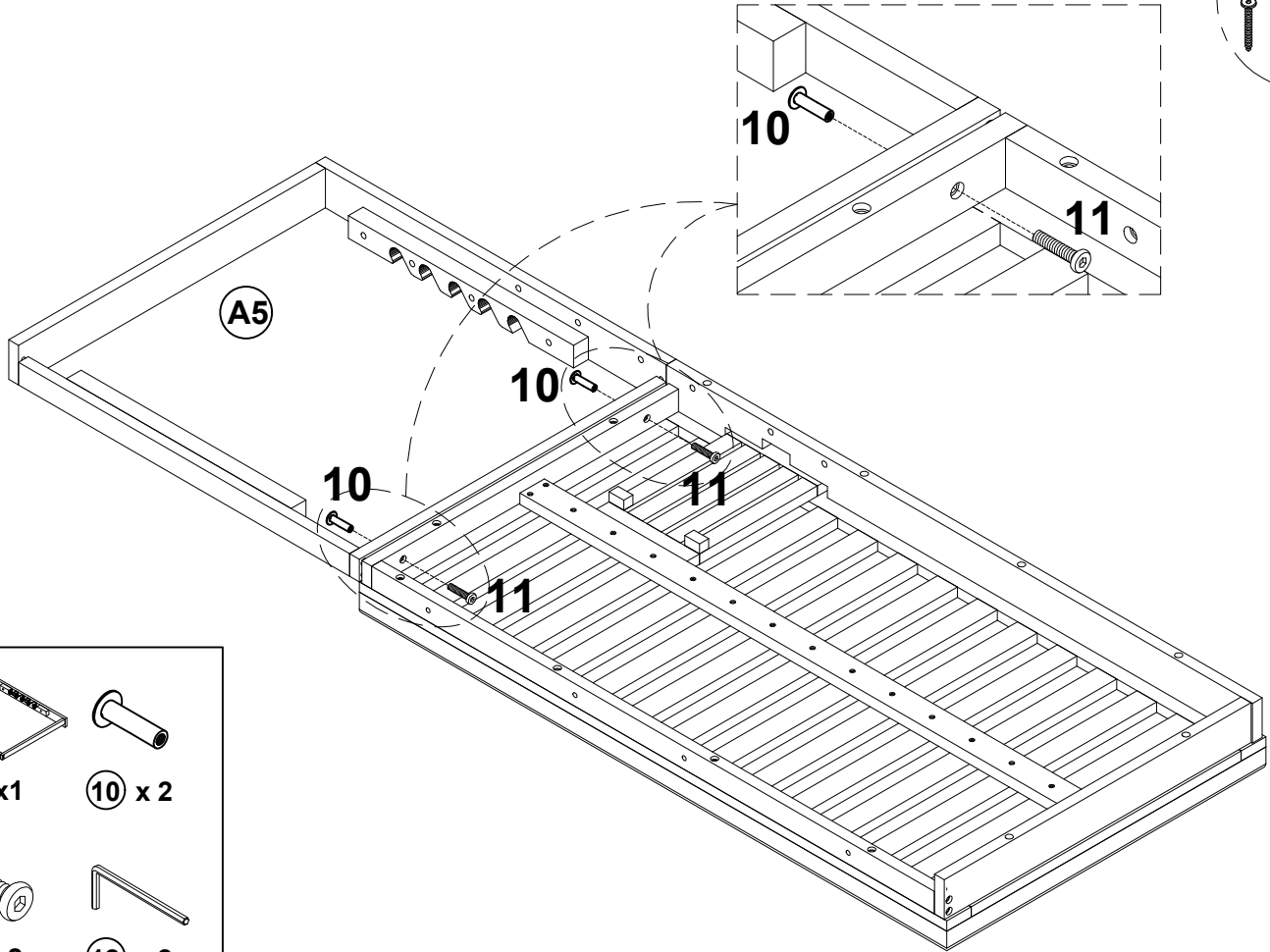
STEP 1



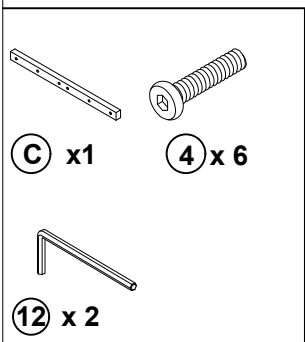
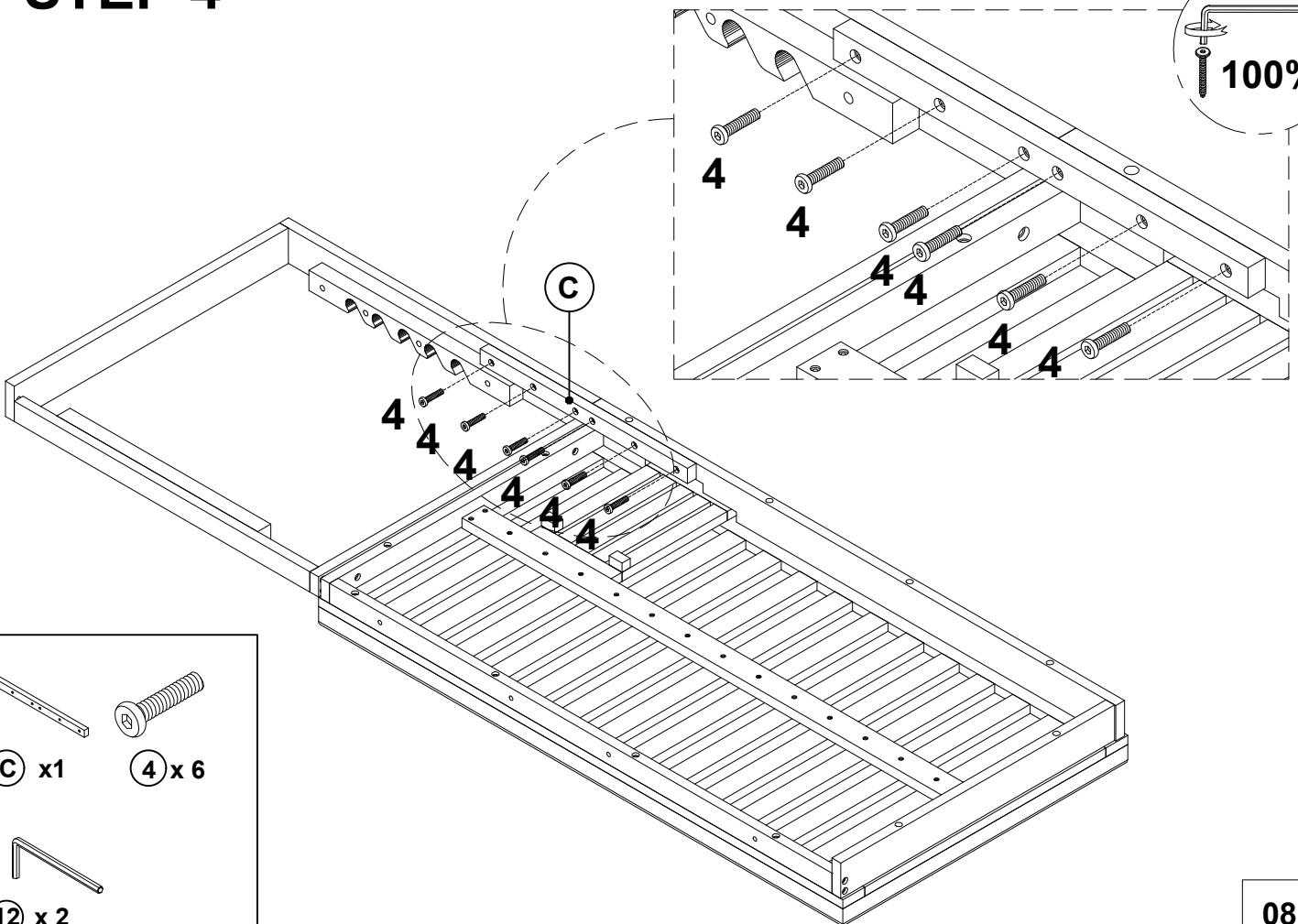
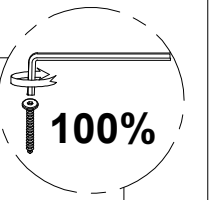
STEP 2



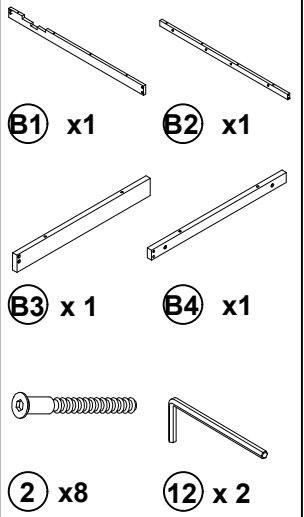
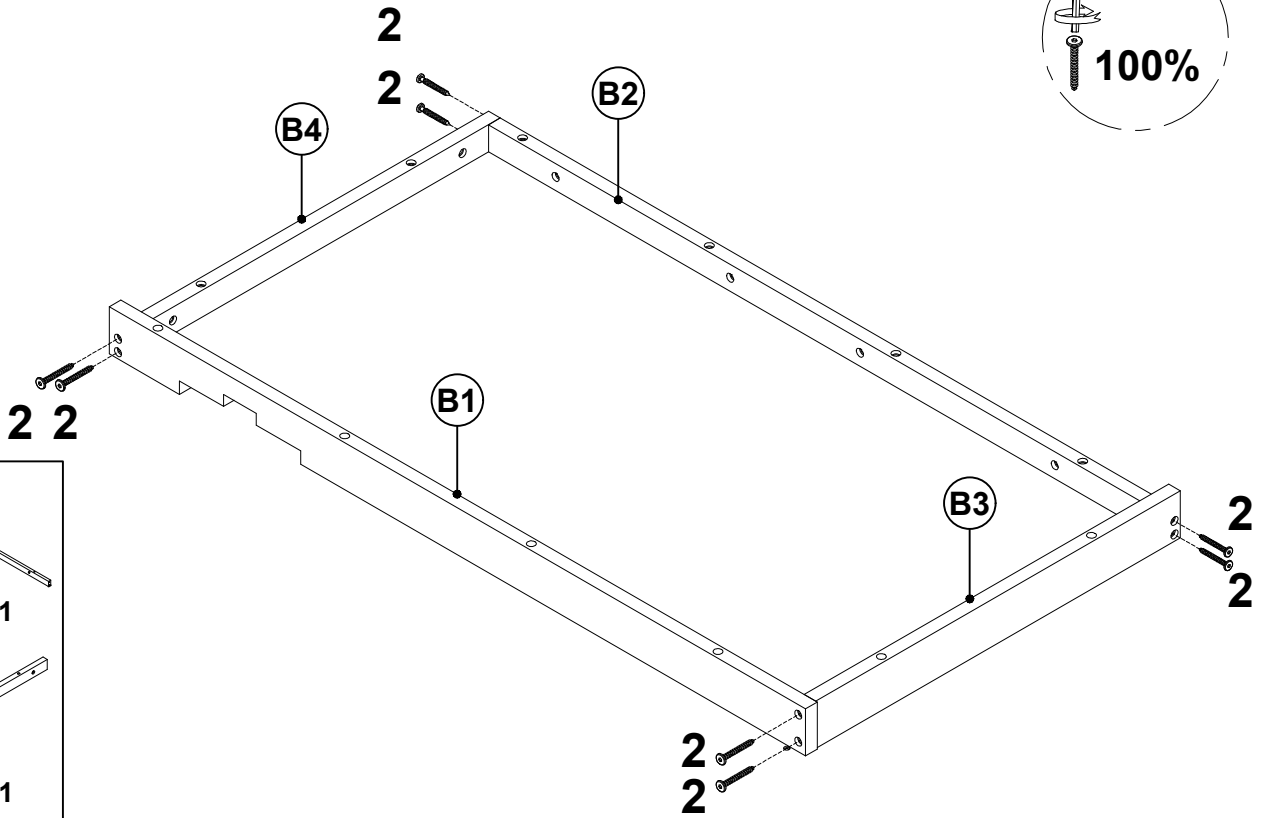
STEP 3



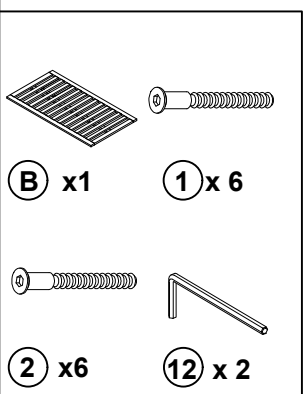
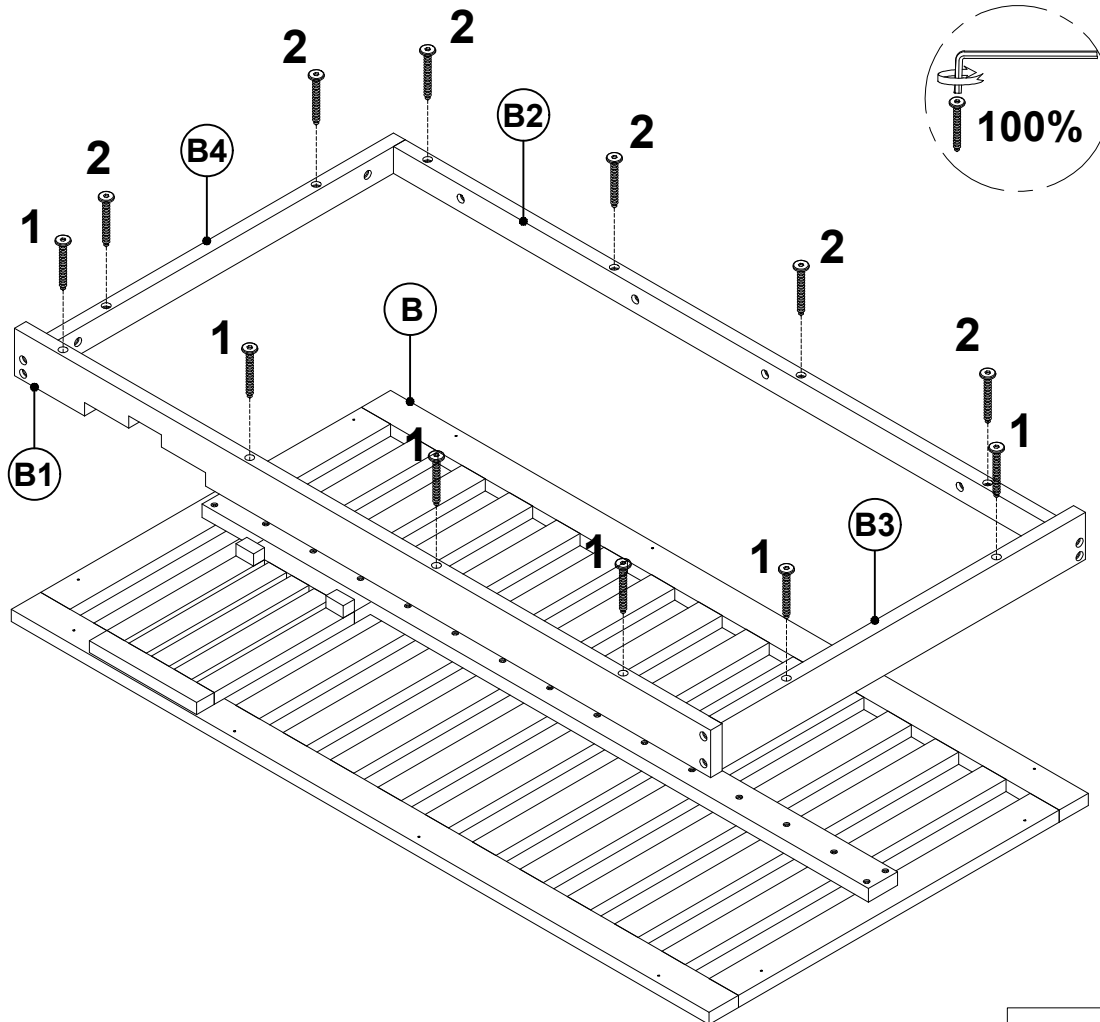
STEP 4



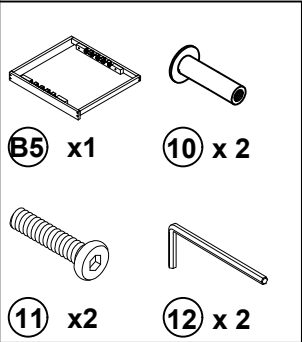
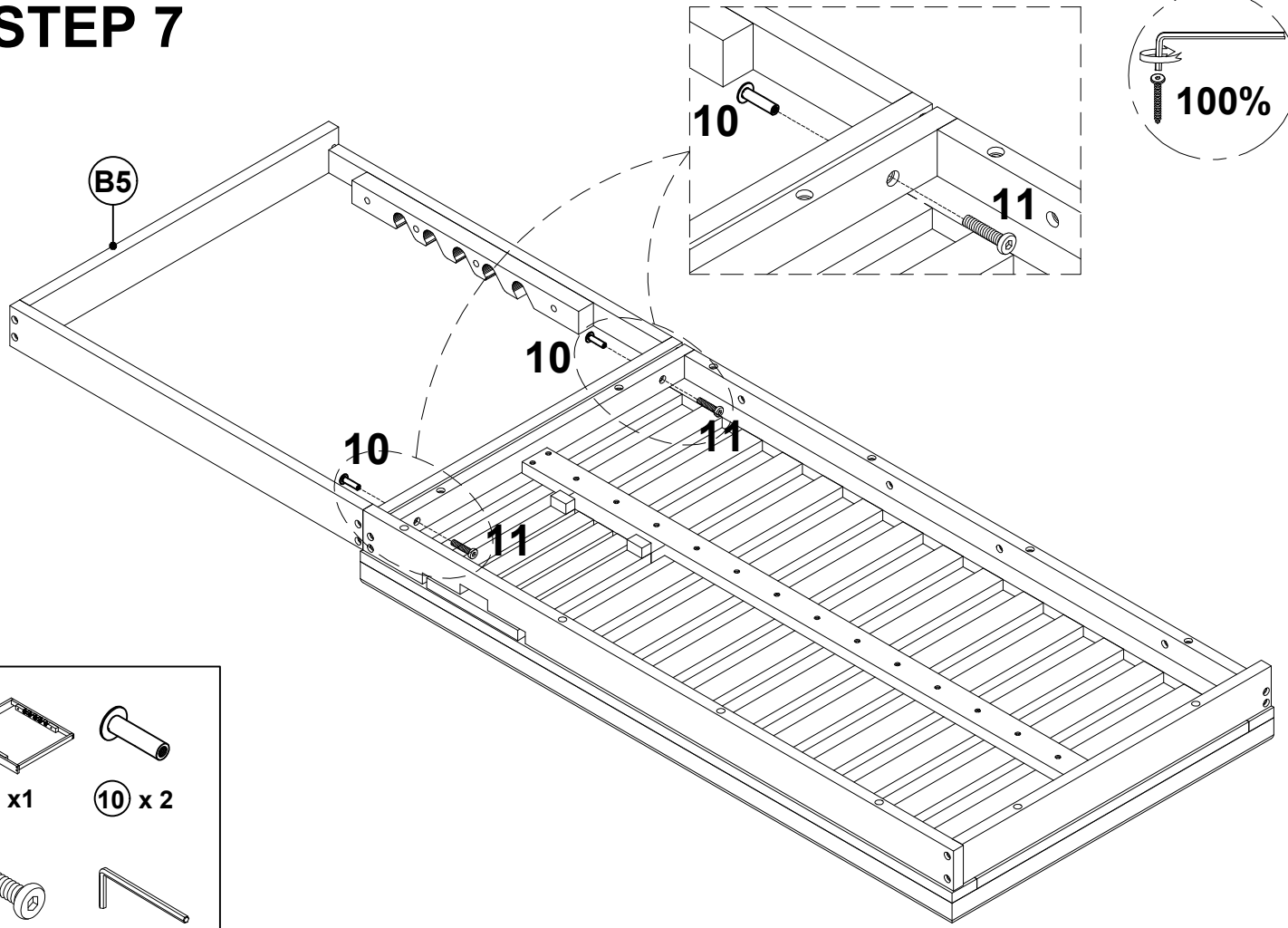
STEP 5



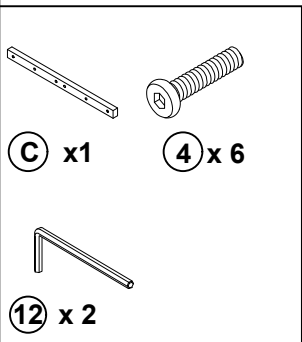
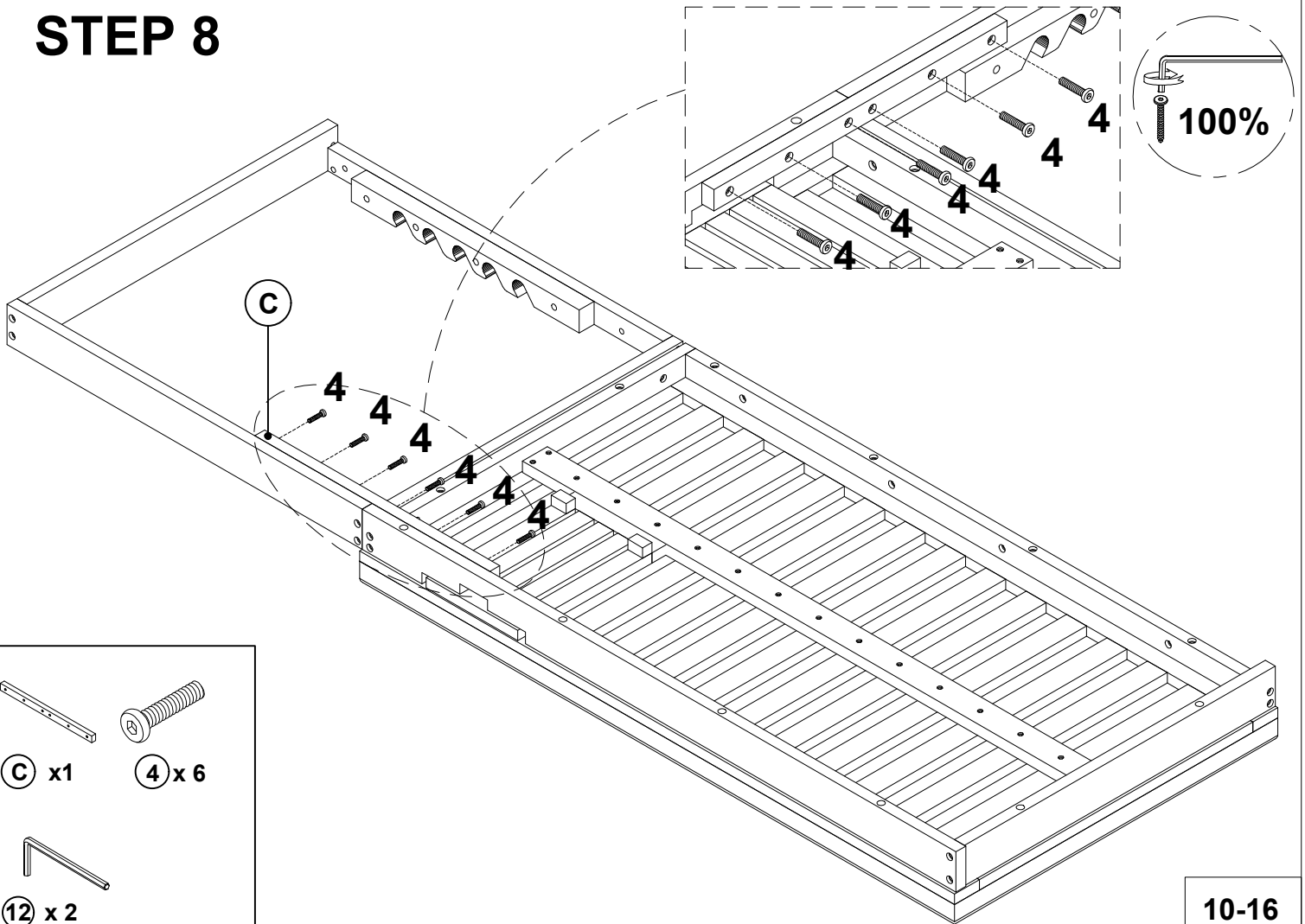
STEP 6



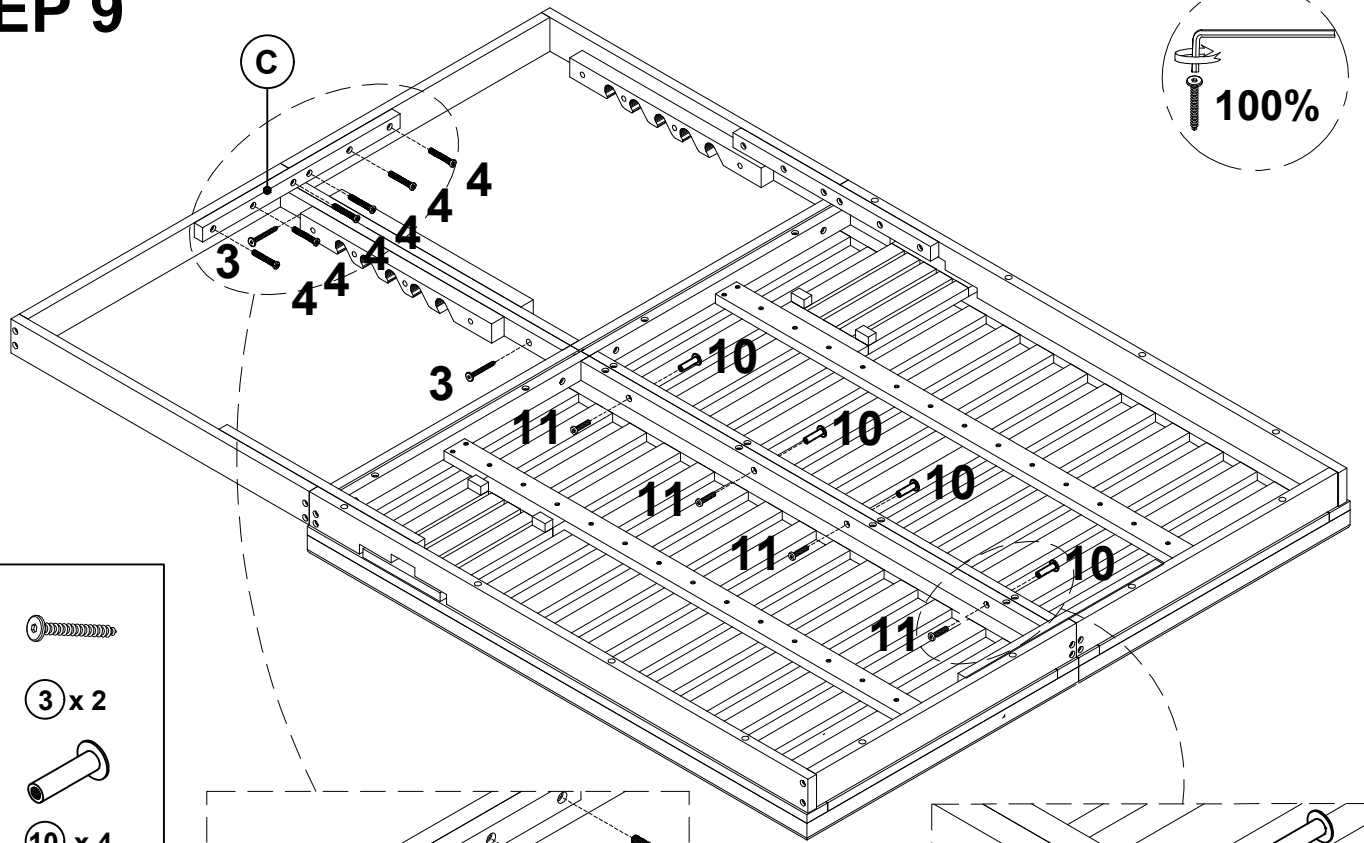
STEP 7

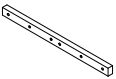

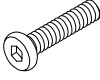

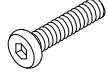



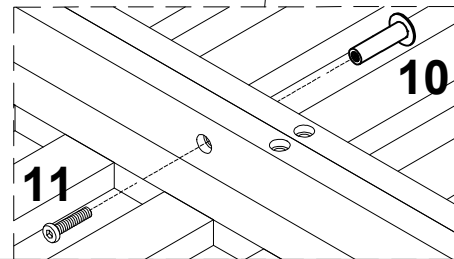
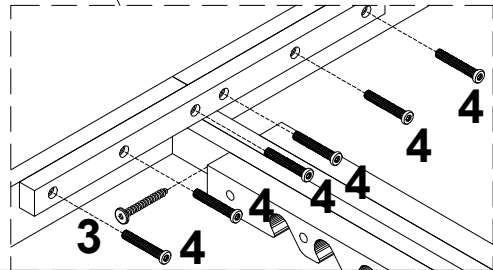
STEP 8



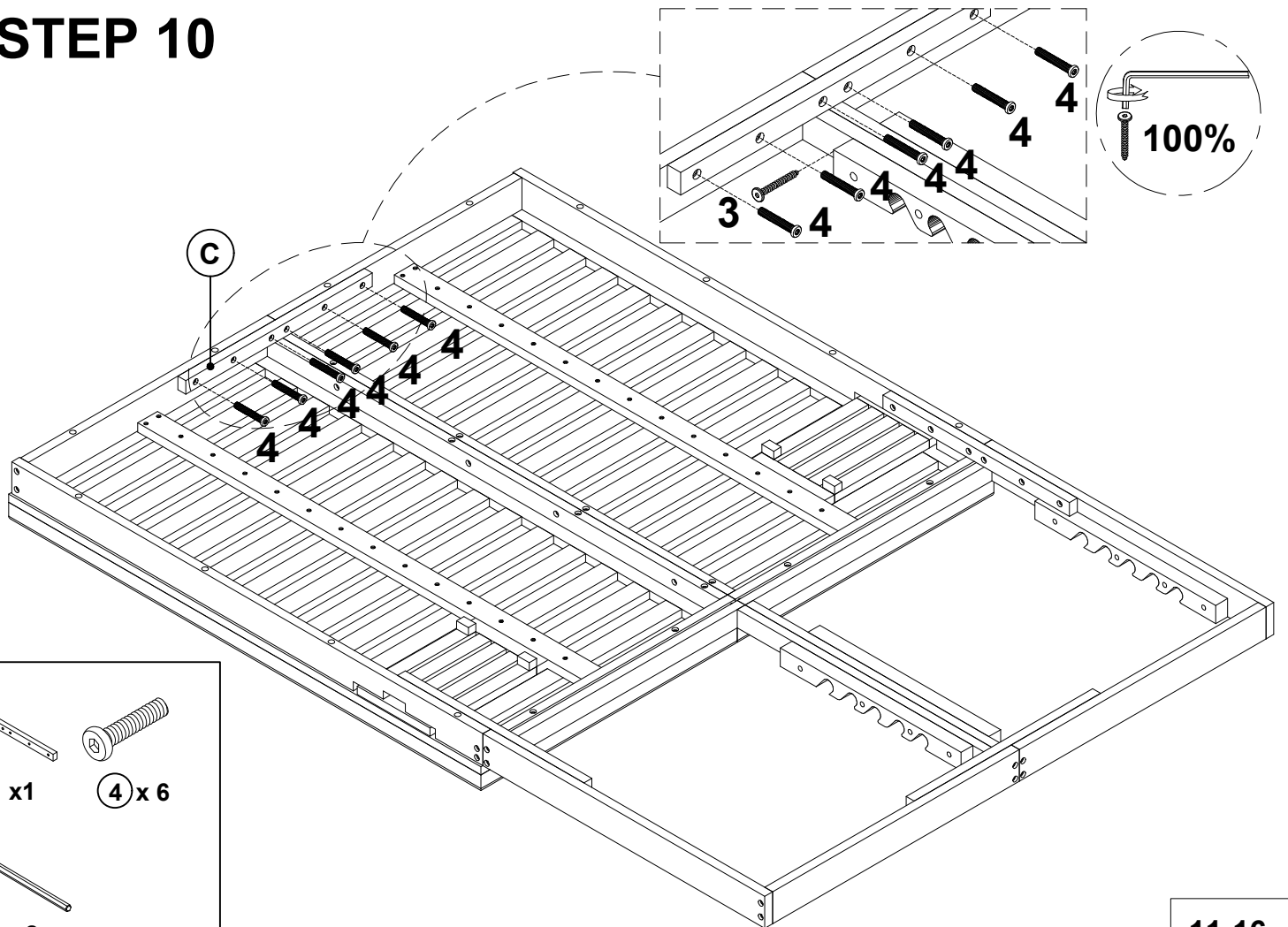
STEP 9

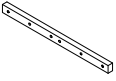
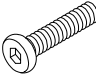



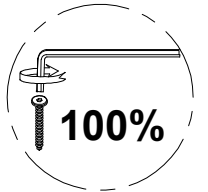
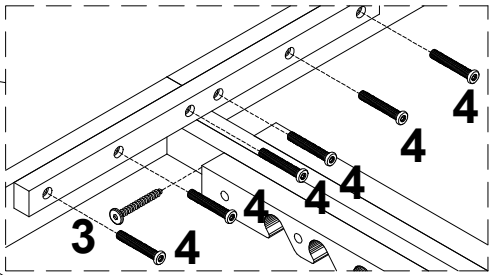
-  
- (C)** x1 **(3)** x 2
-  
- (4)** x 6 **(10)** x 4
-  
- (11)** x 4 **(12)** x 2



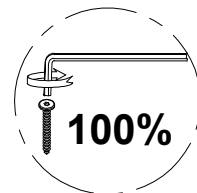
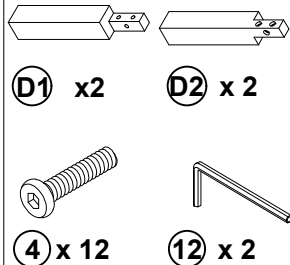
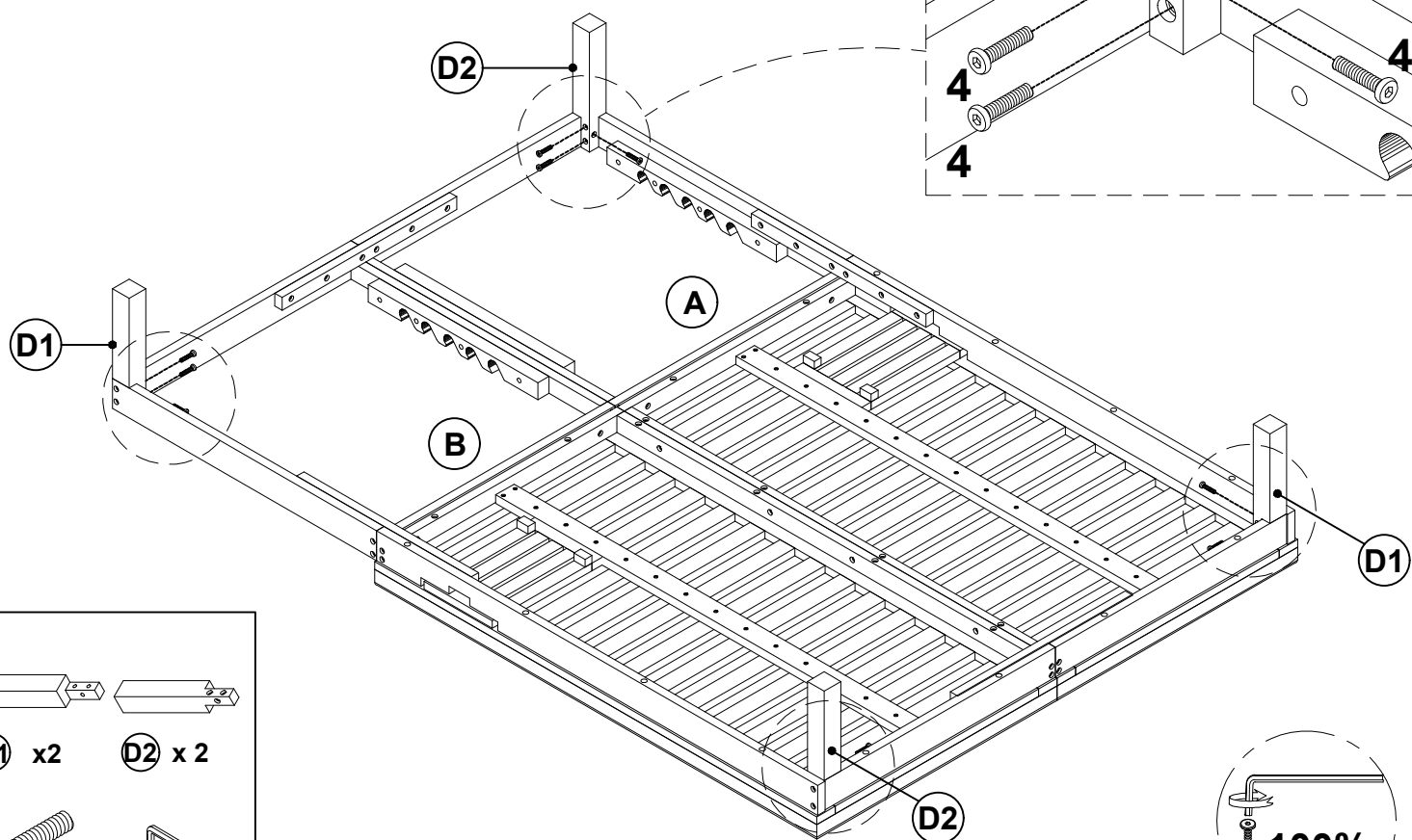
STEP 10



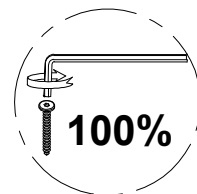
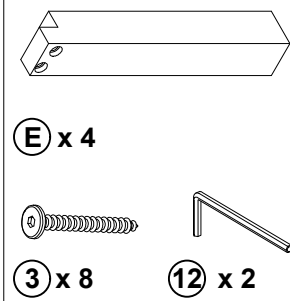
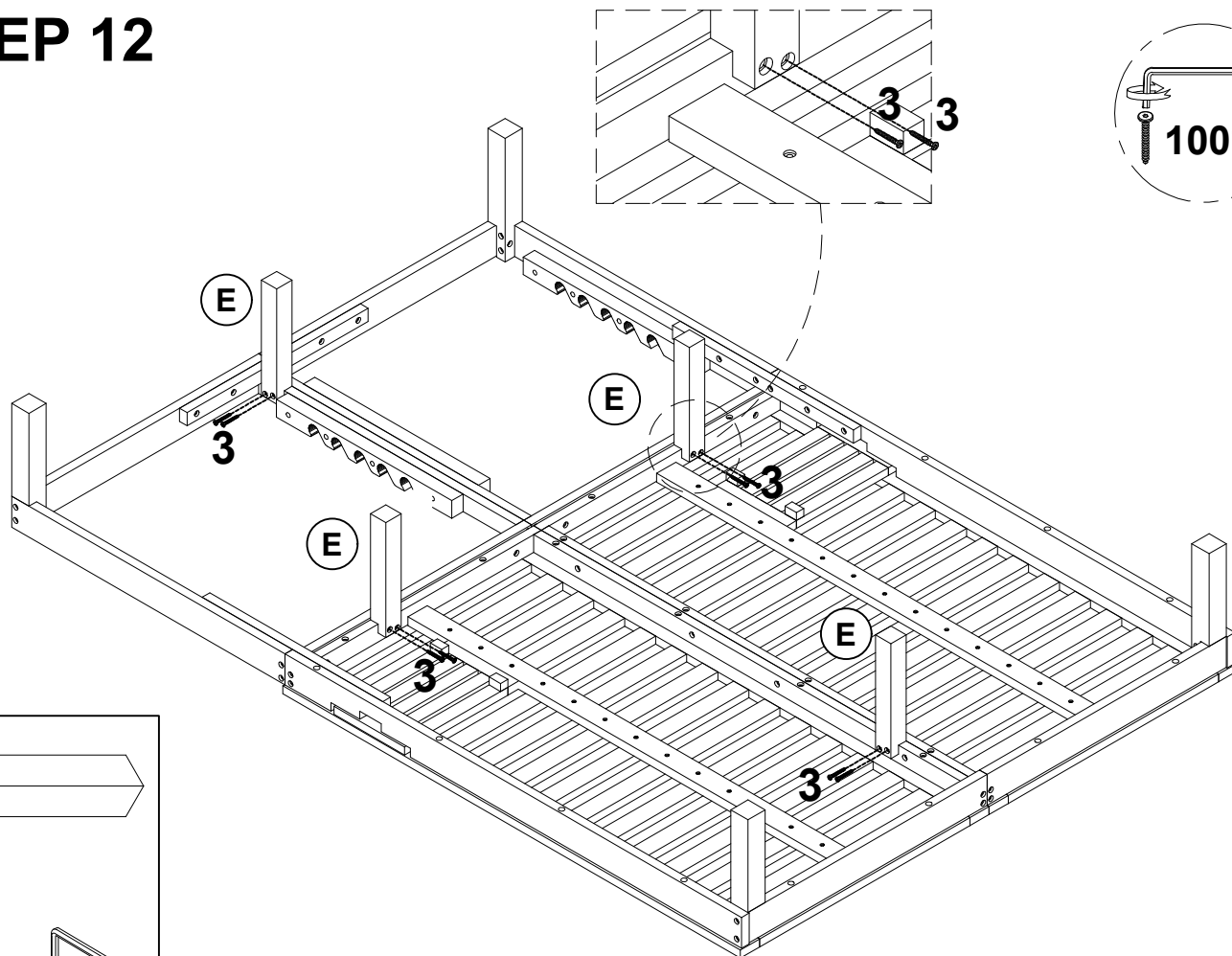
-  
- (C)** x1 **(4)** x 6
- 
- (12)** x 2



STEP 11



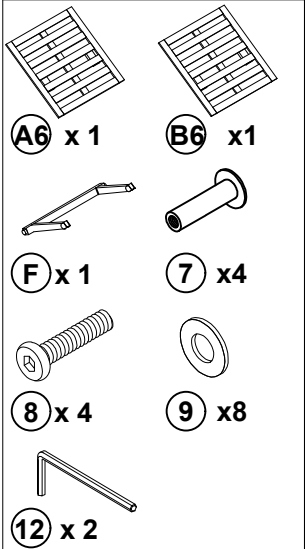
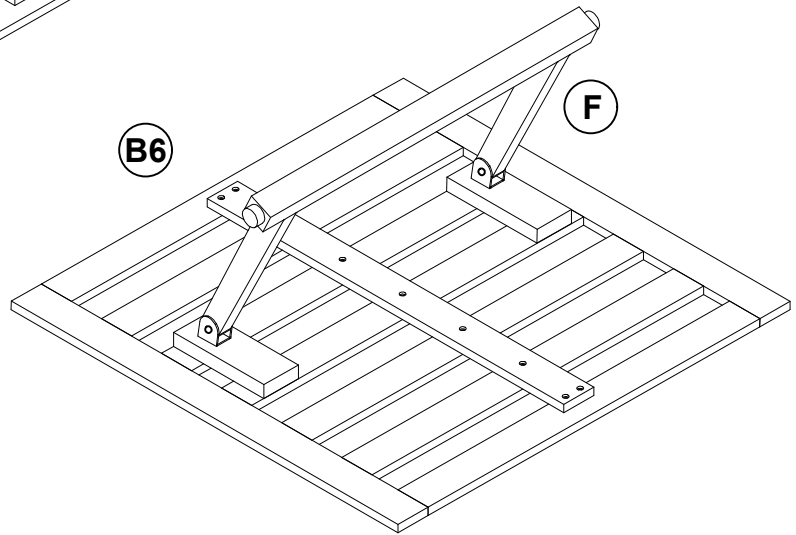
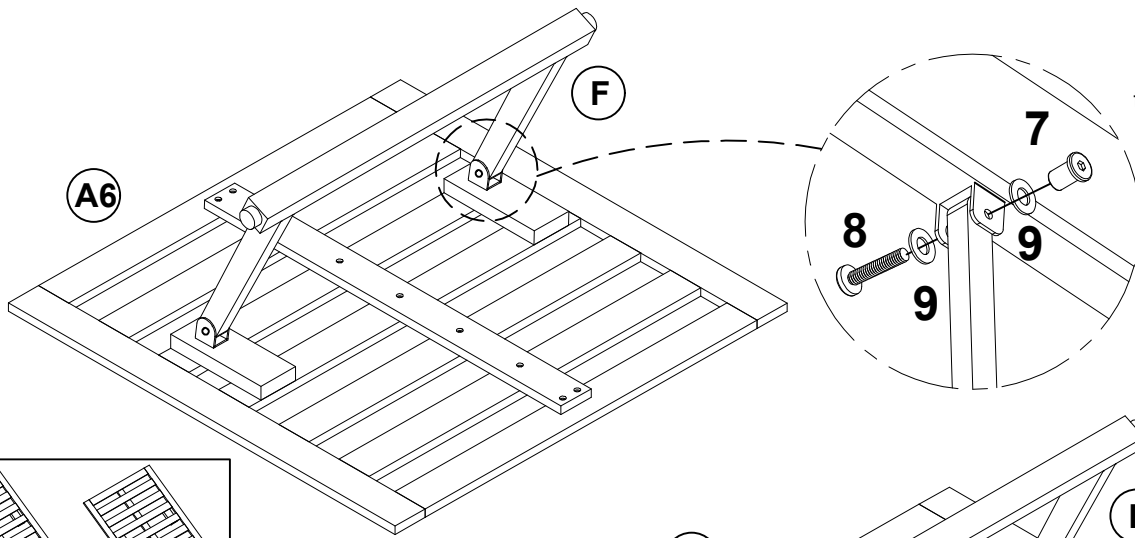
STEP 12



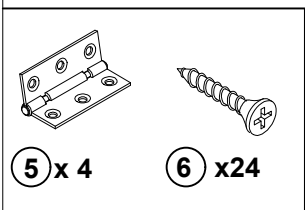
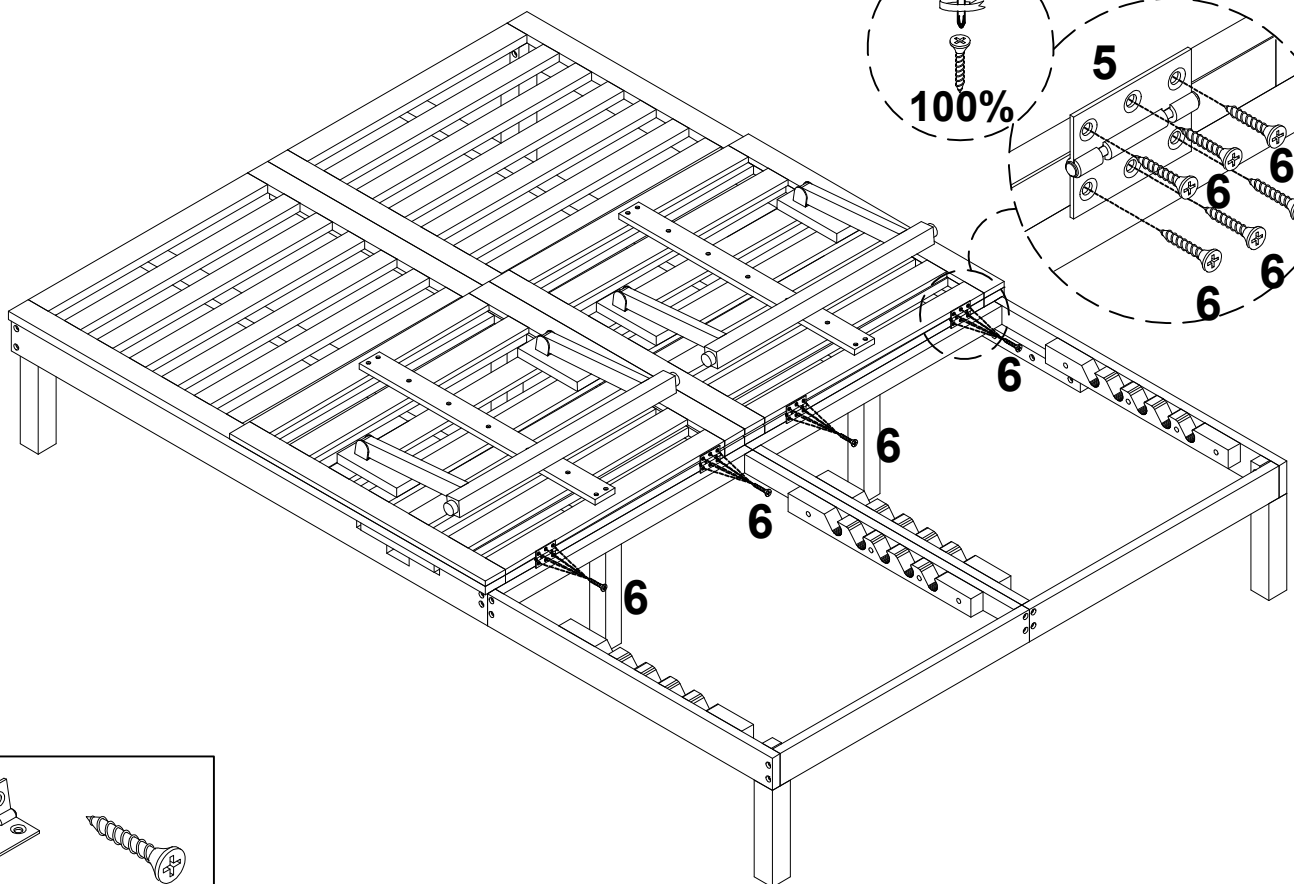
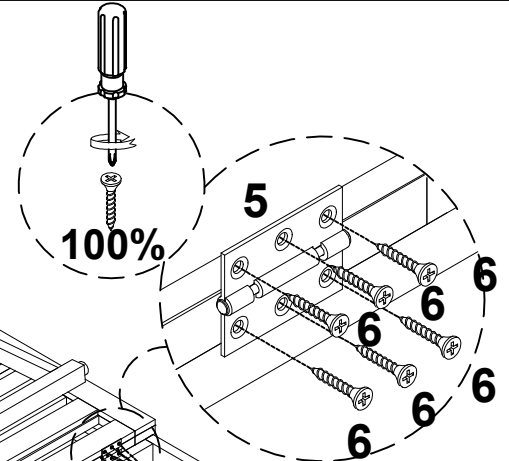
STEP 13



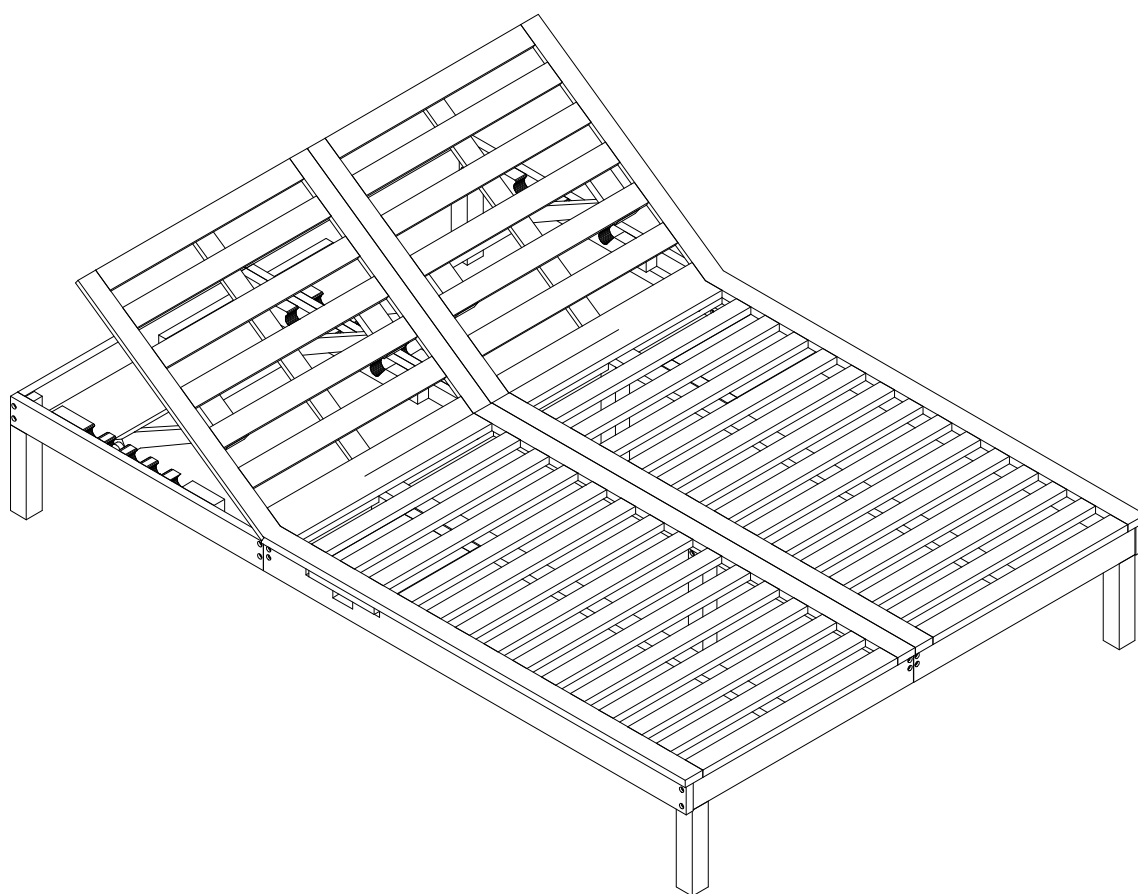
In that got support
this two area in/out



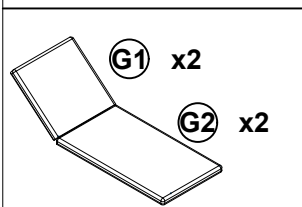
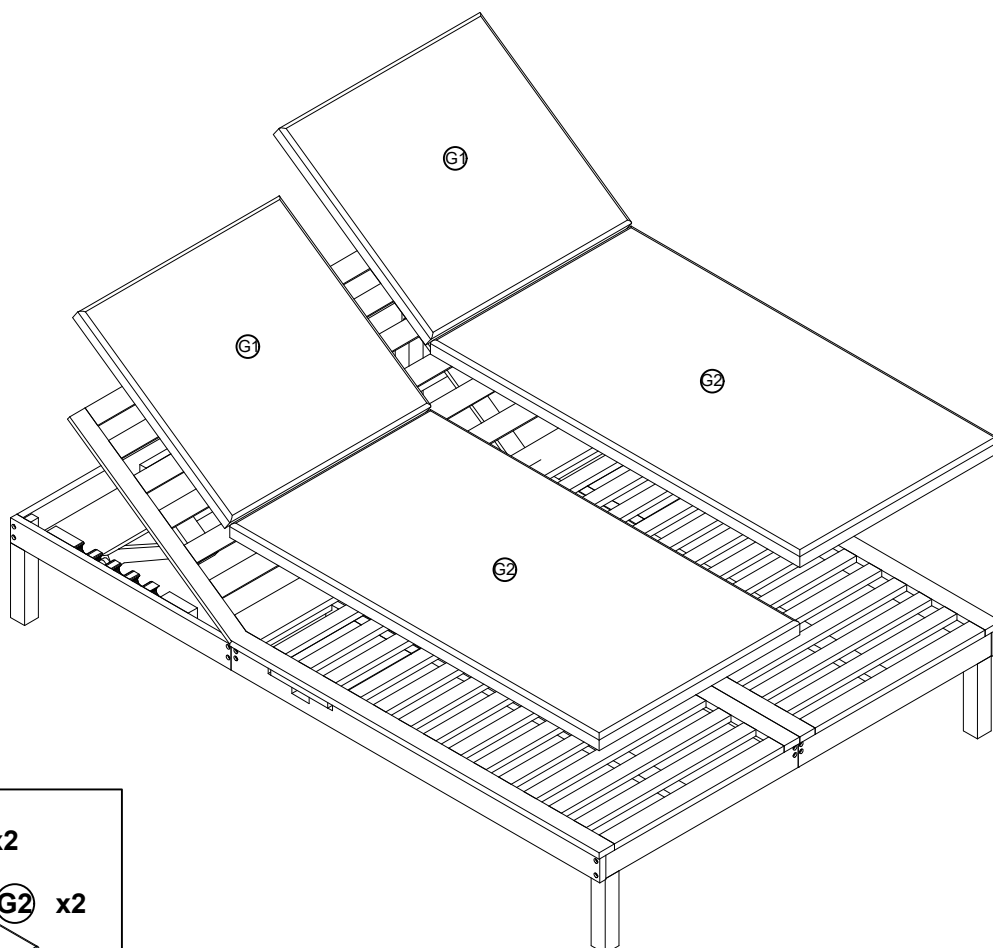
STEP 14



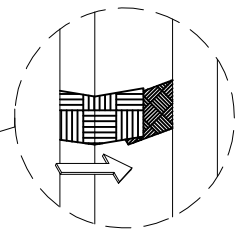
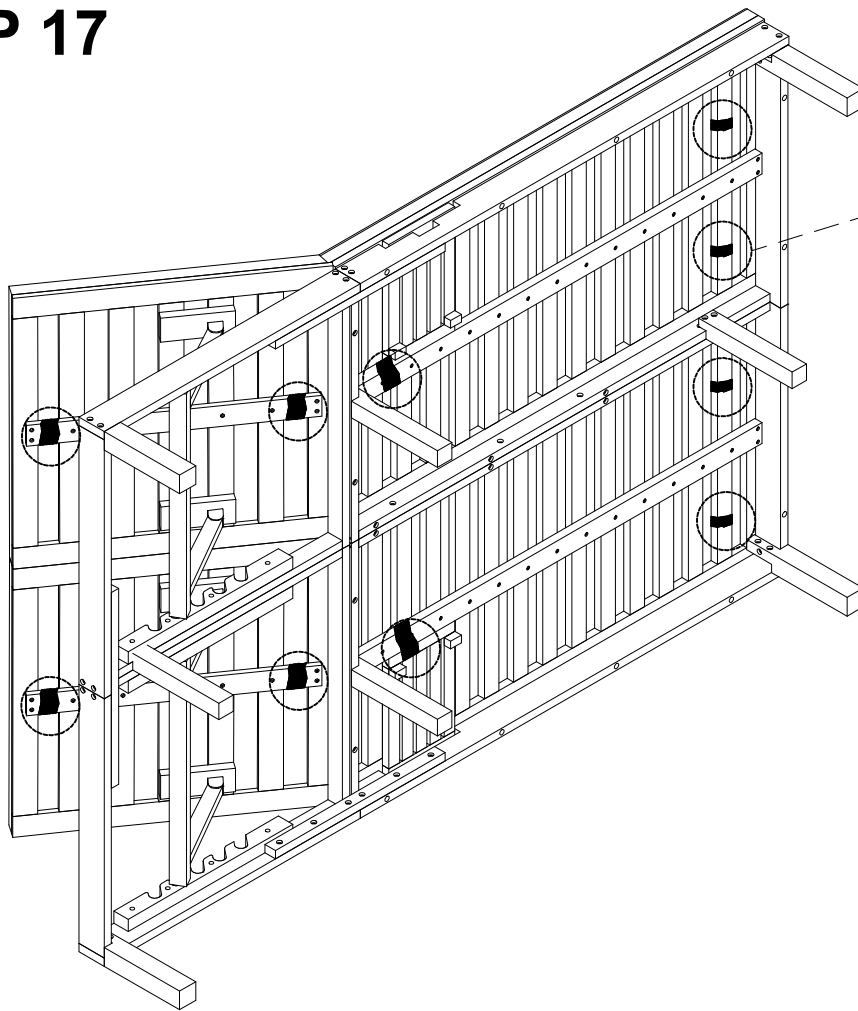
STEP 15



STEP 16

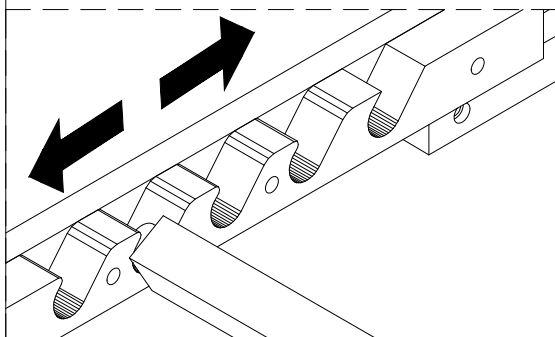
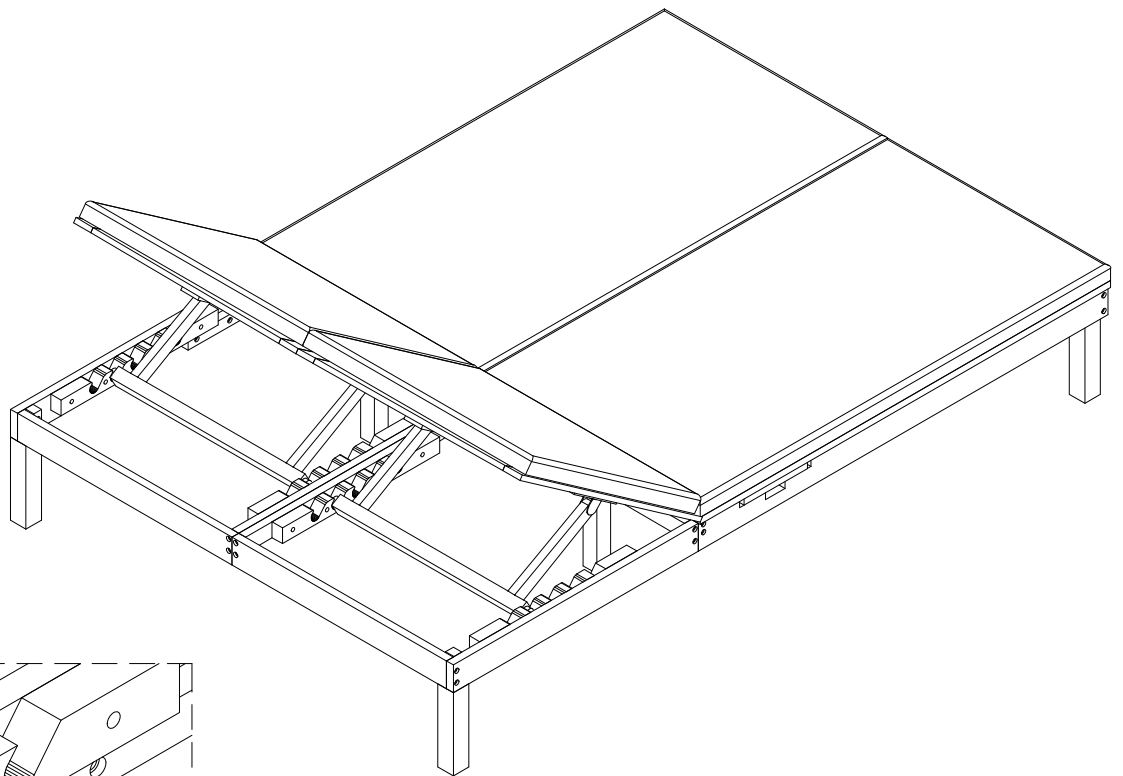


STEP 17

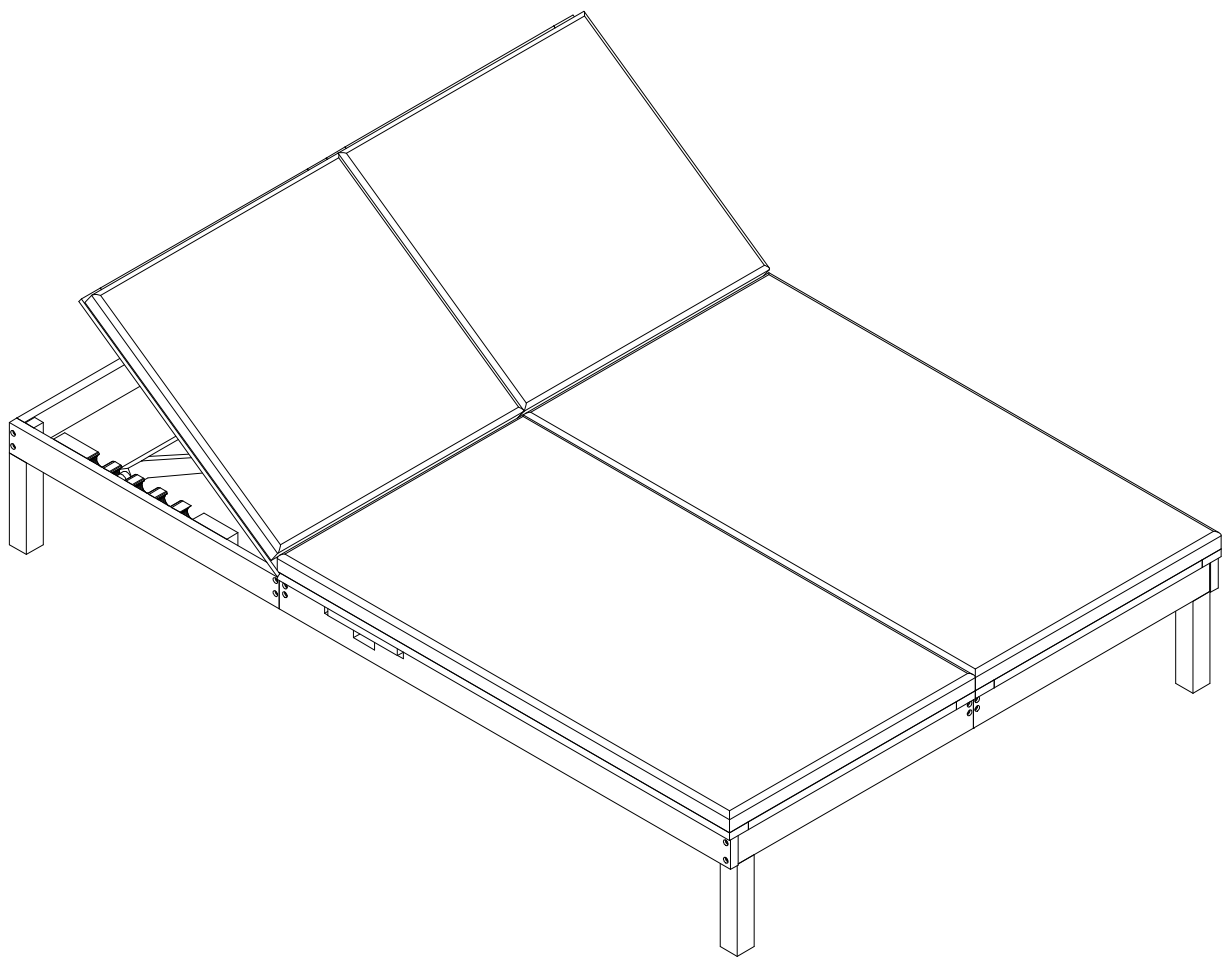


Position Hook and Loop Tape

STEP 18



Adjustable slat seat



FINISH