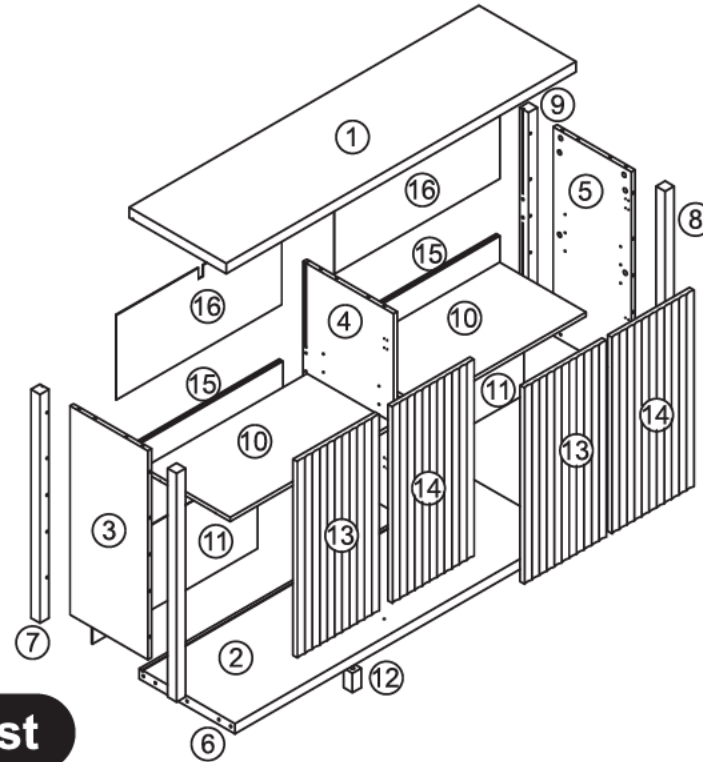



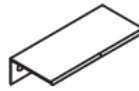
















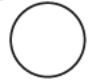


Parts list

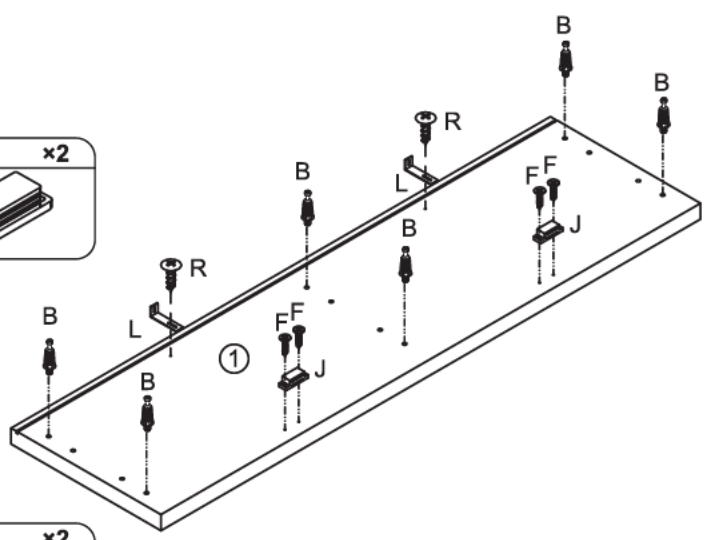


Hardware list

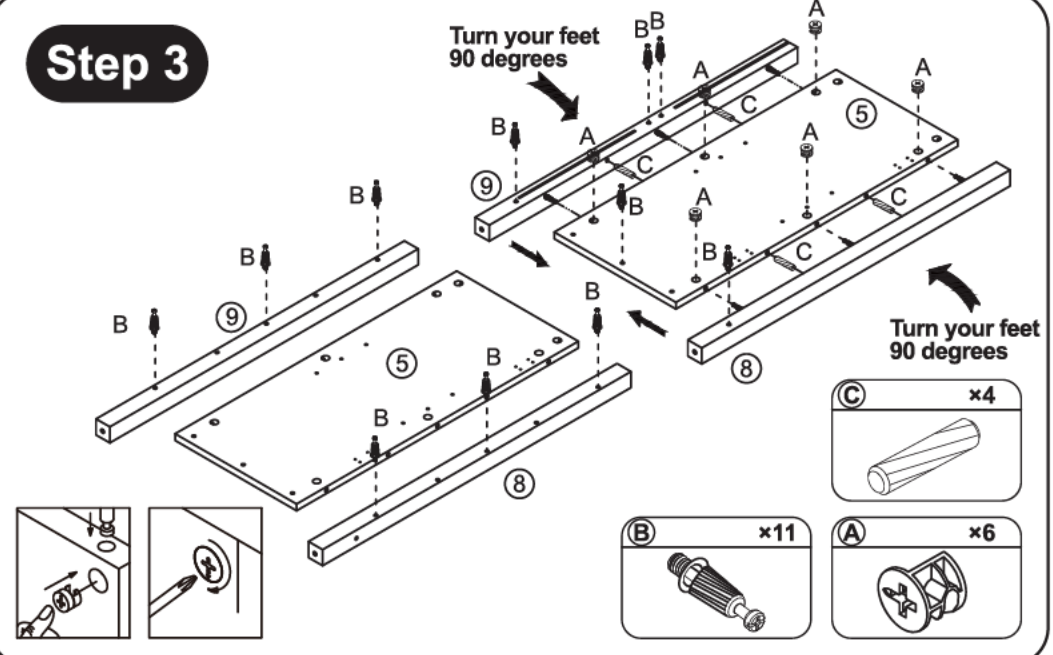
A ×32 φ15×9,5mm 	B ×32 φ6×24mm 	C ×20 φ8×30mm 	D ×4 	E ×12 	
F ×16 φ3×16mm 	G ×8 φ7×3,5×12mm 	H ×2 φ4,2×50mm 	I ×1 	J ×2 	
K ×4 	L ×2 	M ×4 	N ×48 φ4×14mm 	O ×8 	
P ×2 	R ×2 φ4×15mm 	S ×2 φ4×35mm 	T ×4 	U ×4 φ5,5×3×12mm 	V ×18 φ20 

Step 1

- (B) x6
- (J) x2
- (F) x4
- (L) x2
- (R) x2

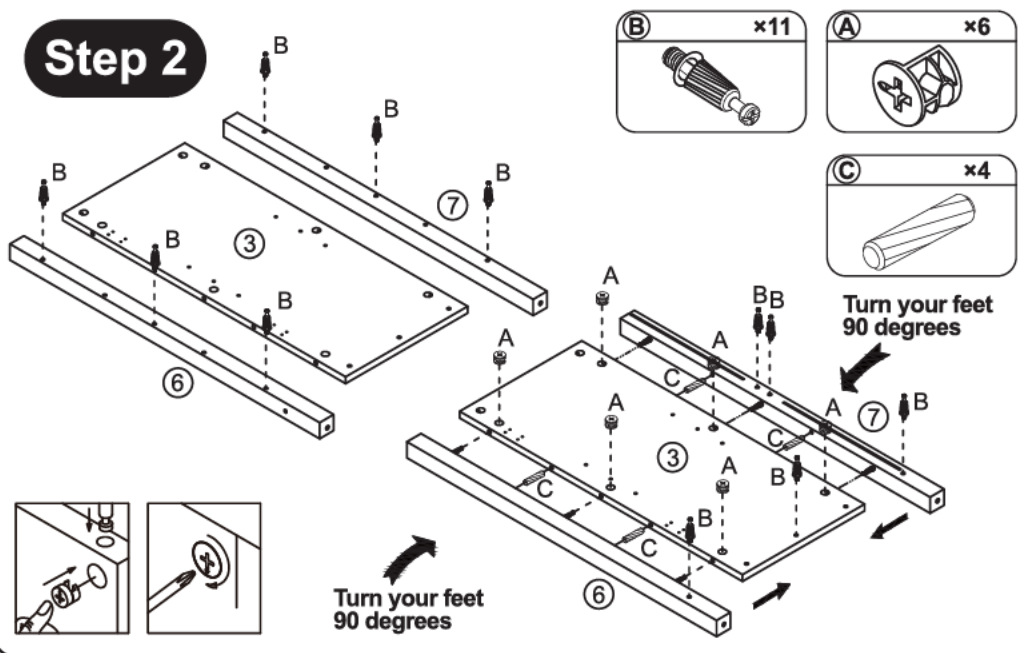


Step 3

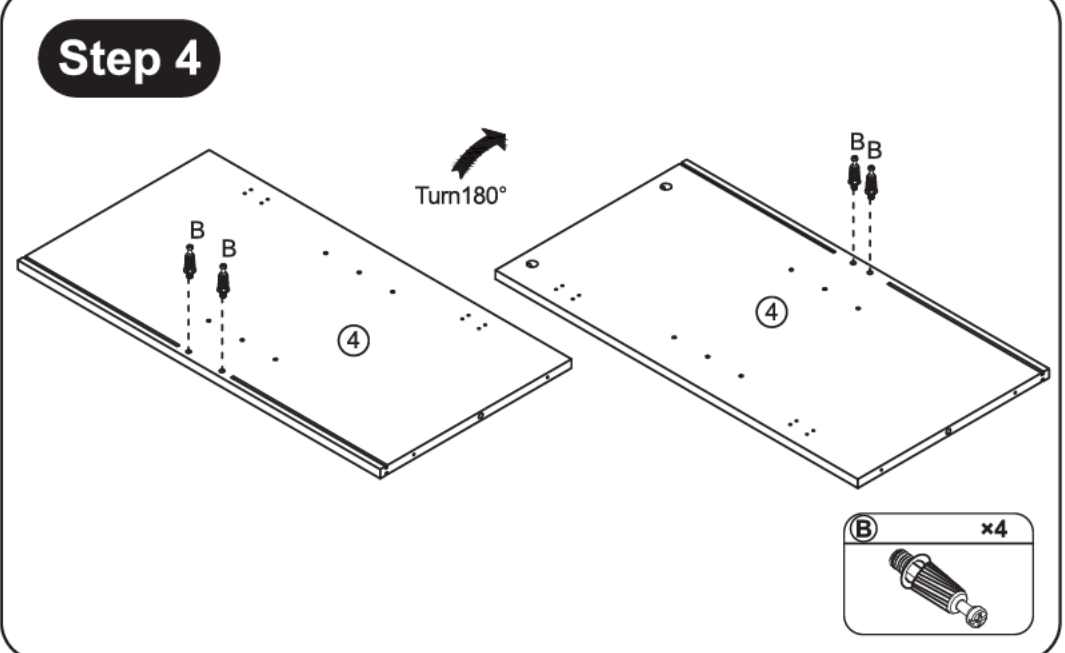


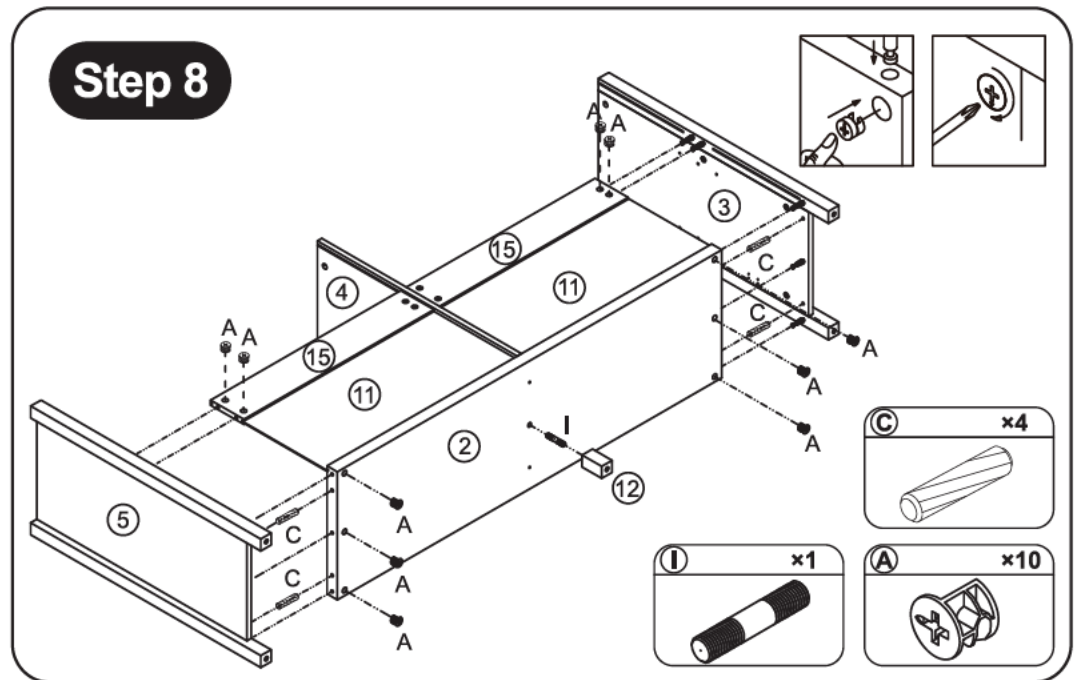
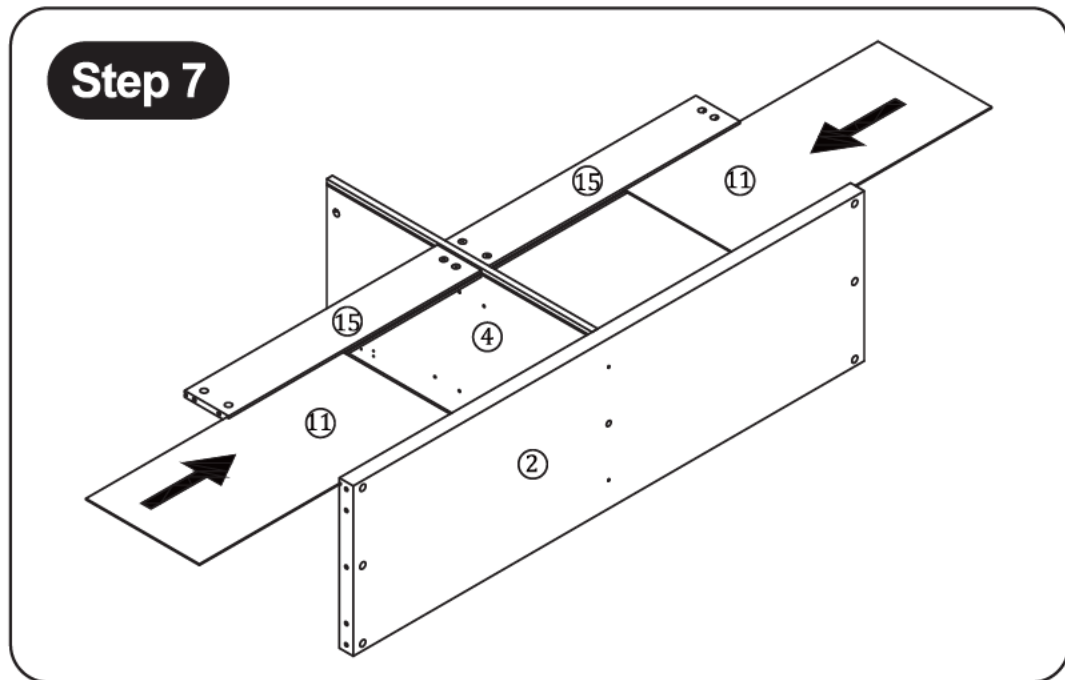
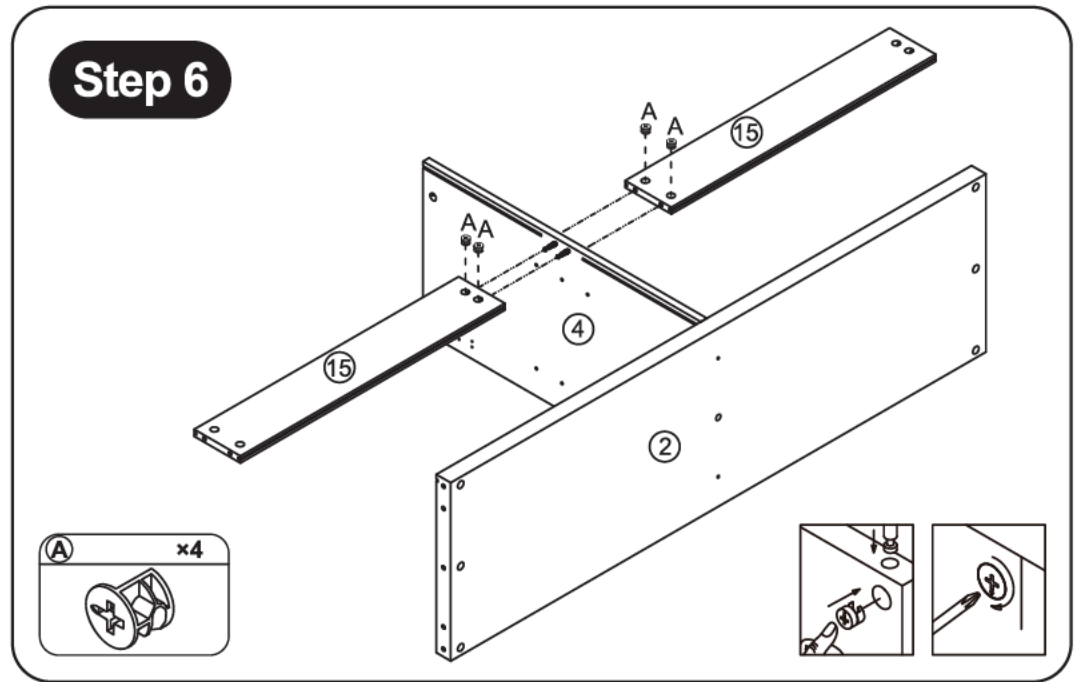
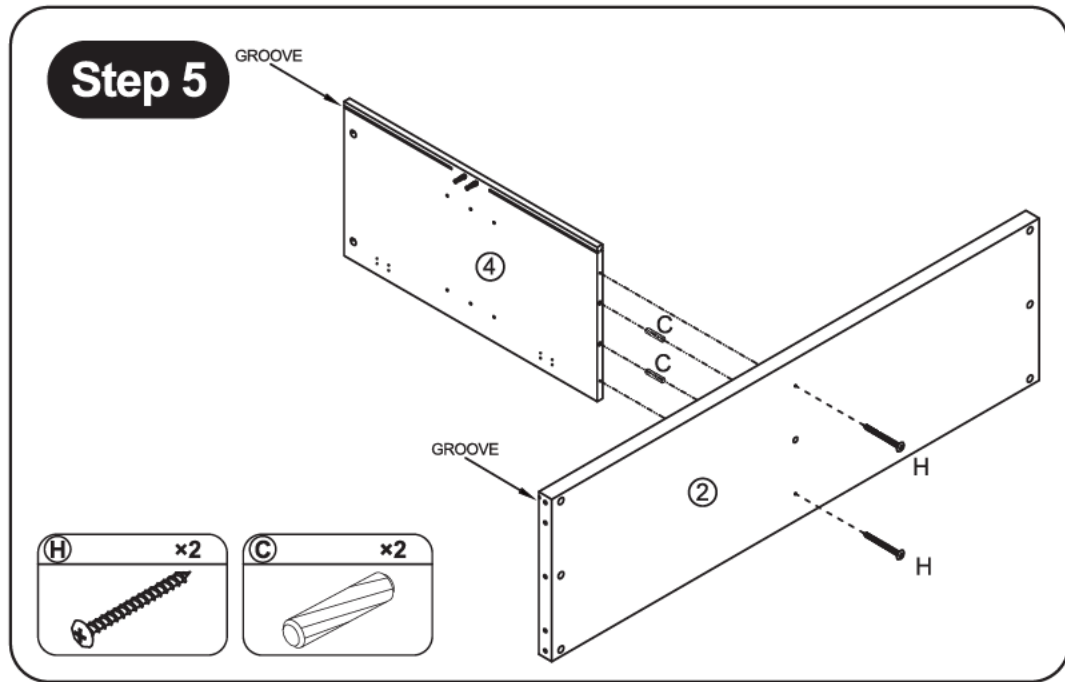
Step 2

- (B) x11
- (A) x6
- (C) x4

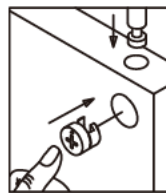
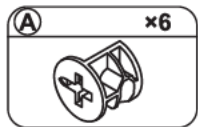
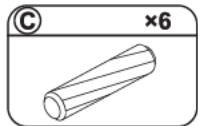
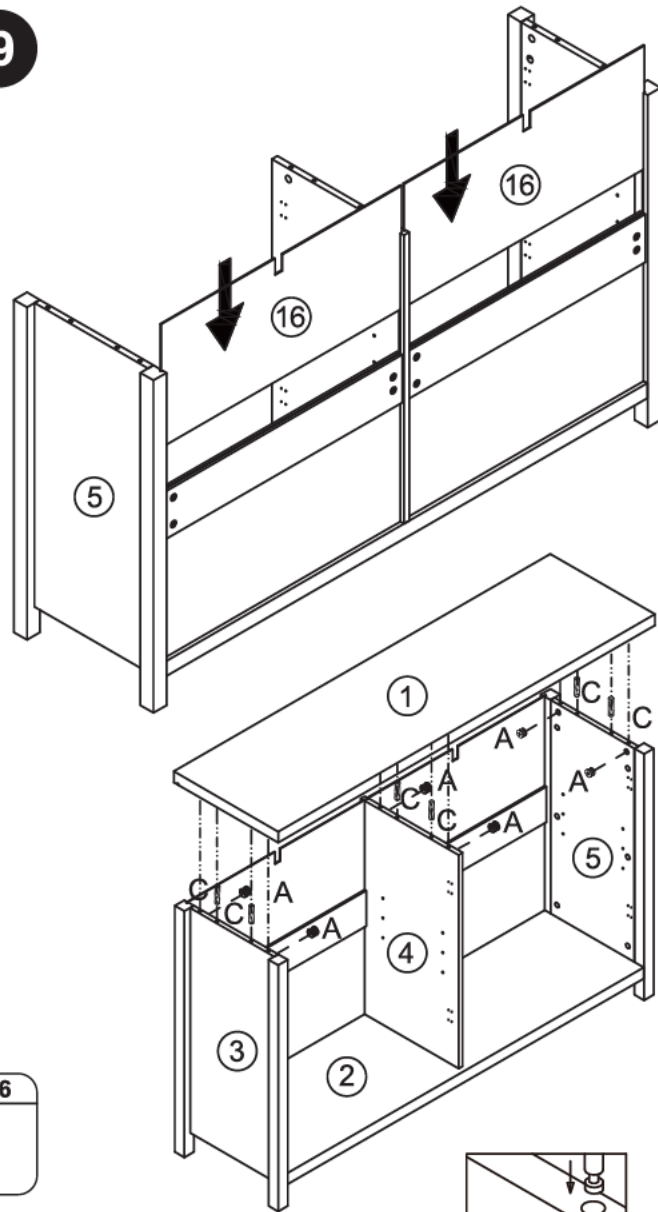


Step 4

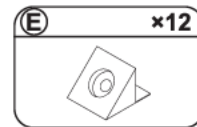
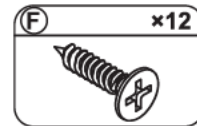
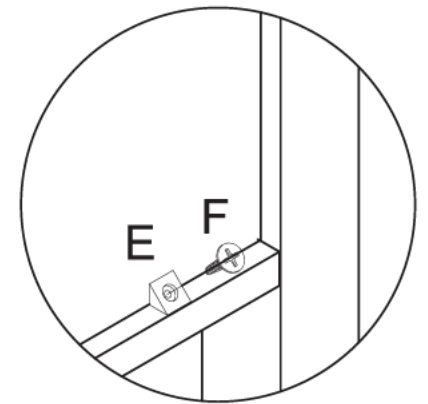
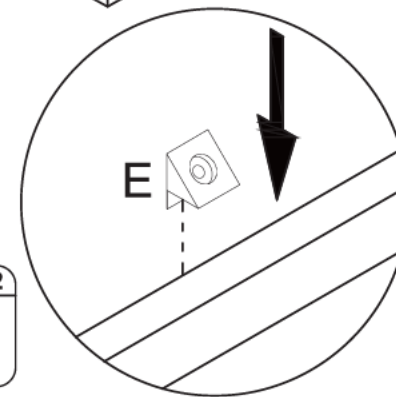
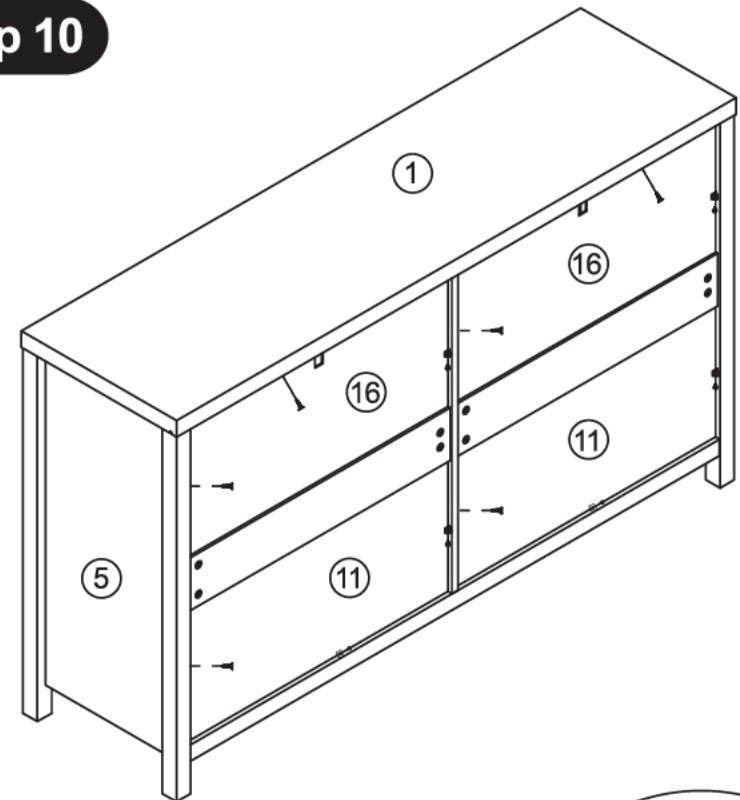




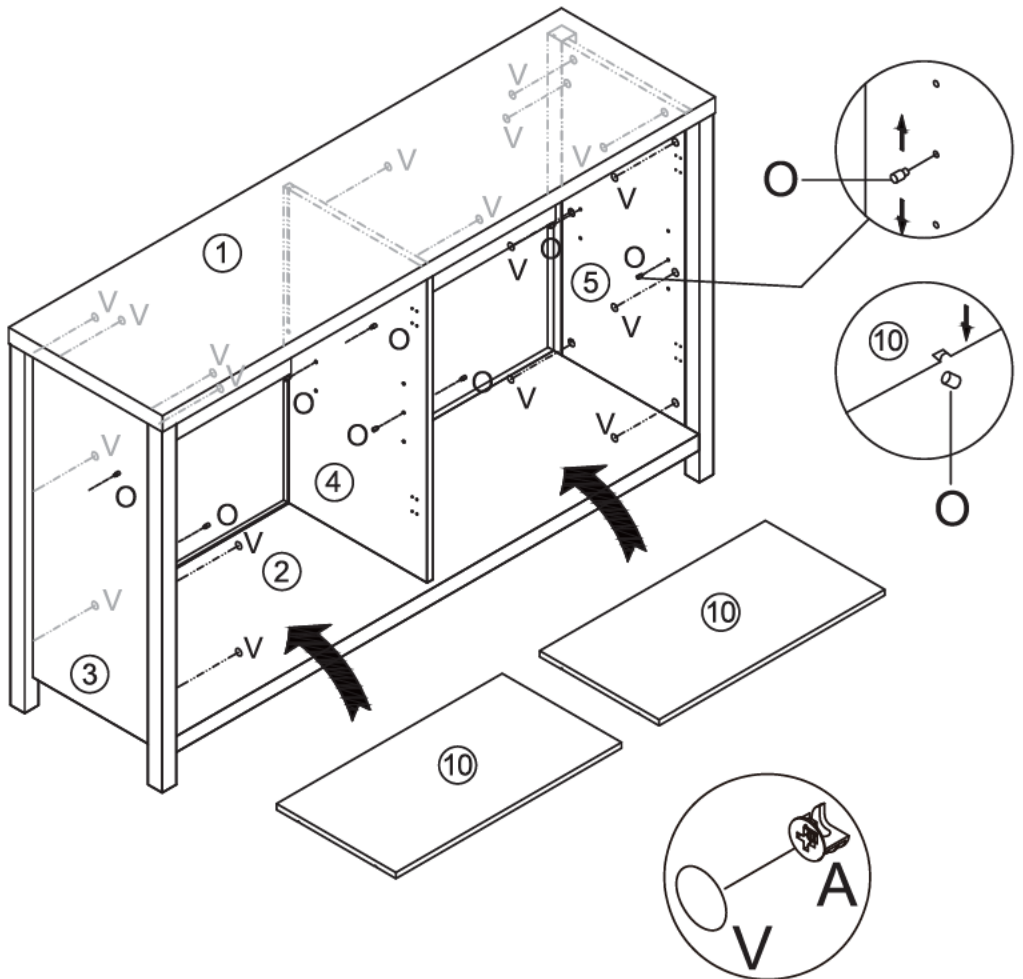
Step 9



Step 10

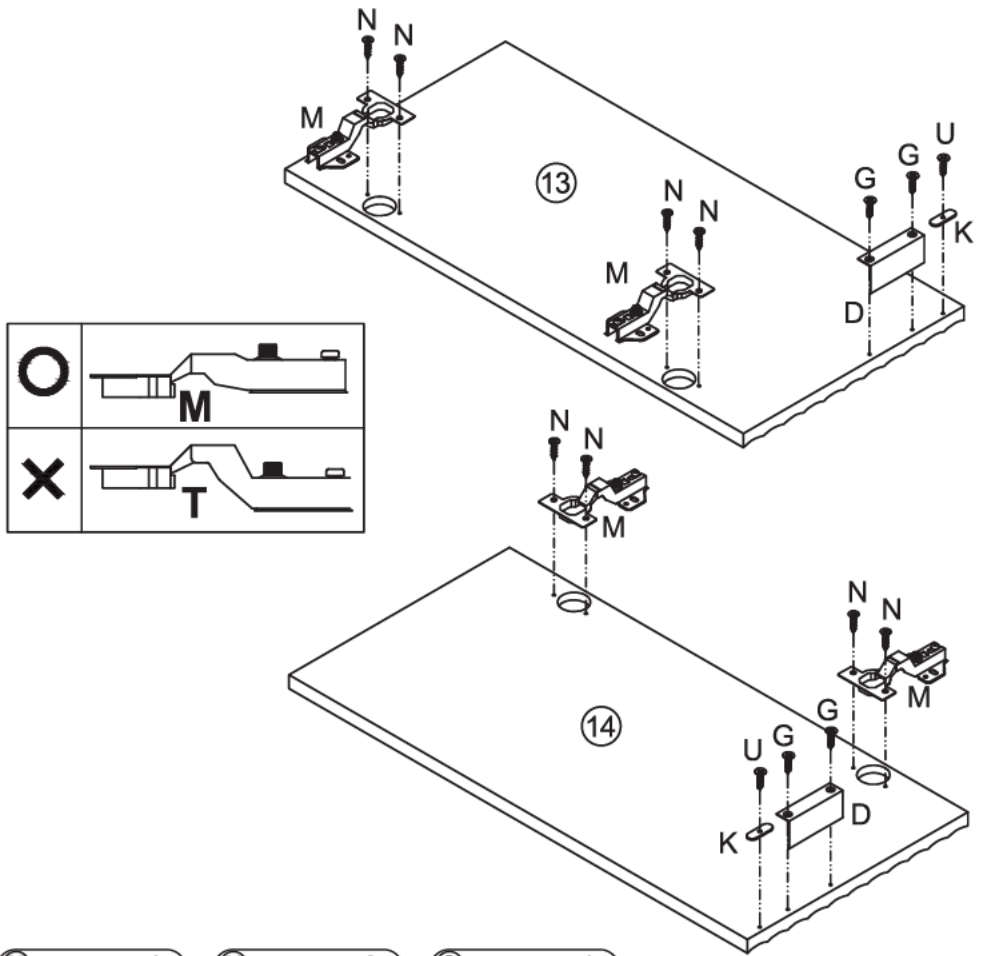


Step 11



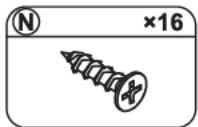
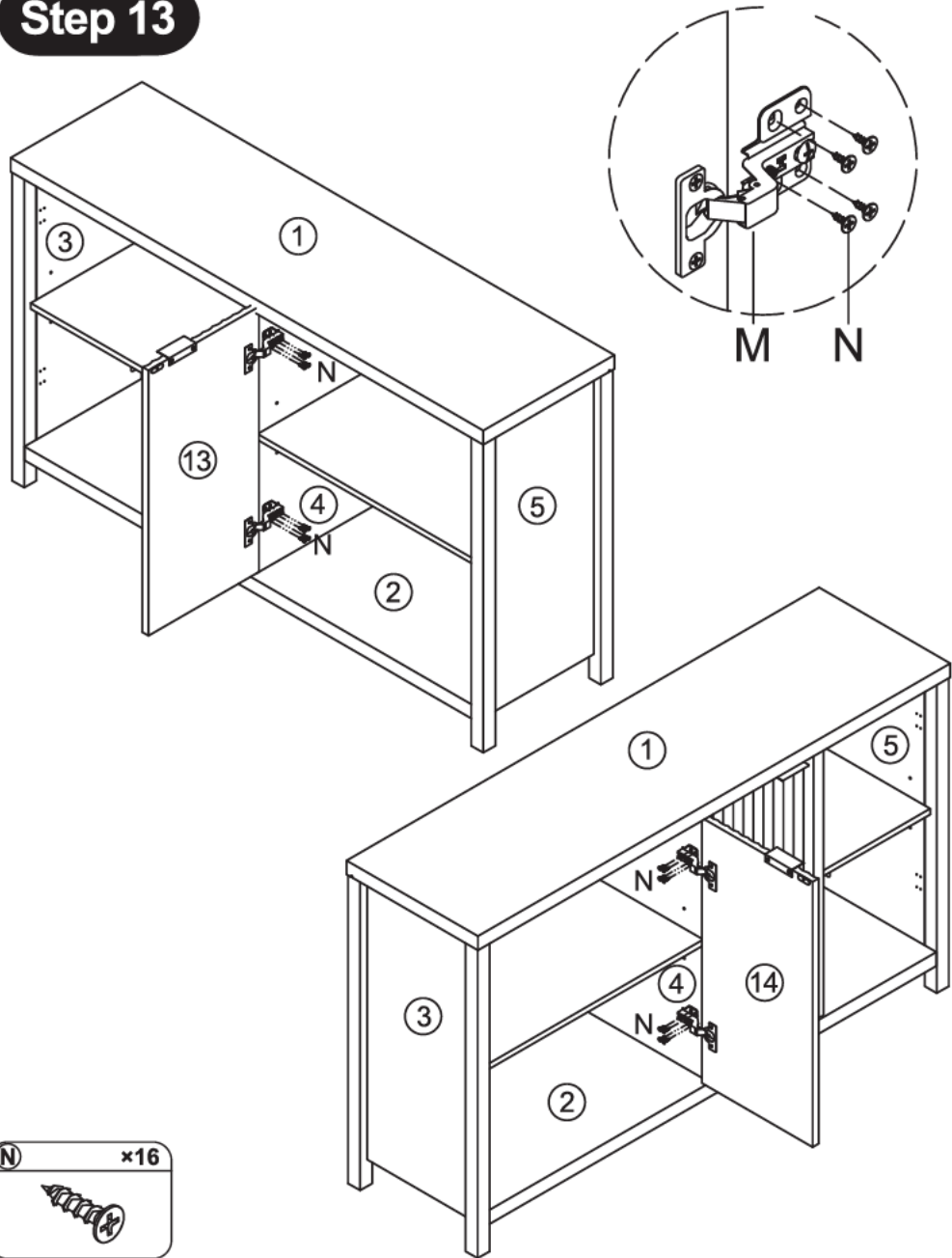
- O** x8
- V** x18

Step 12

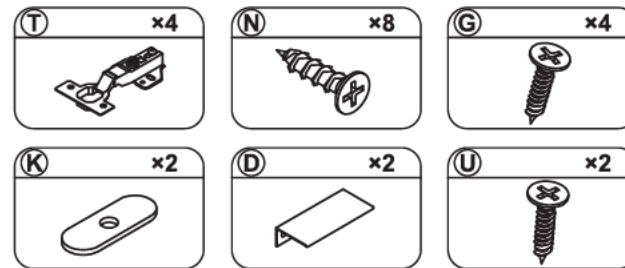
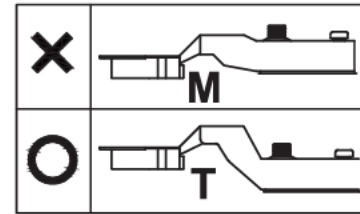
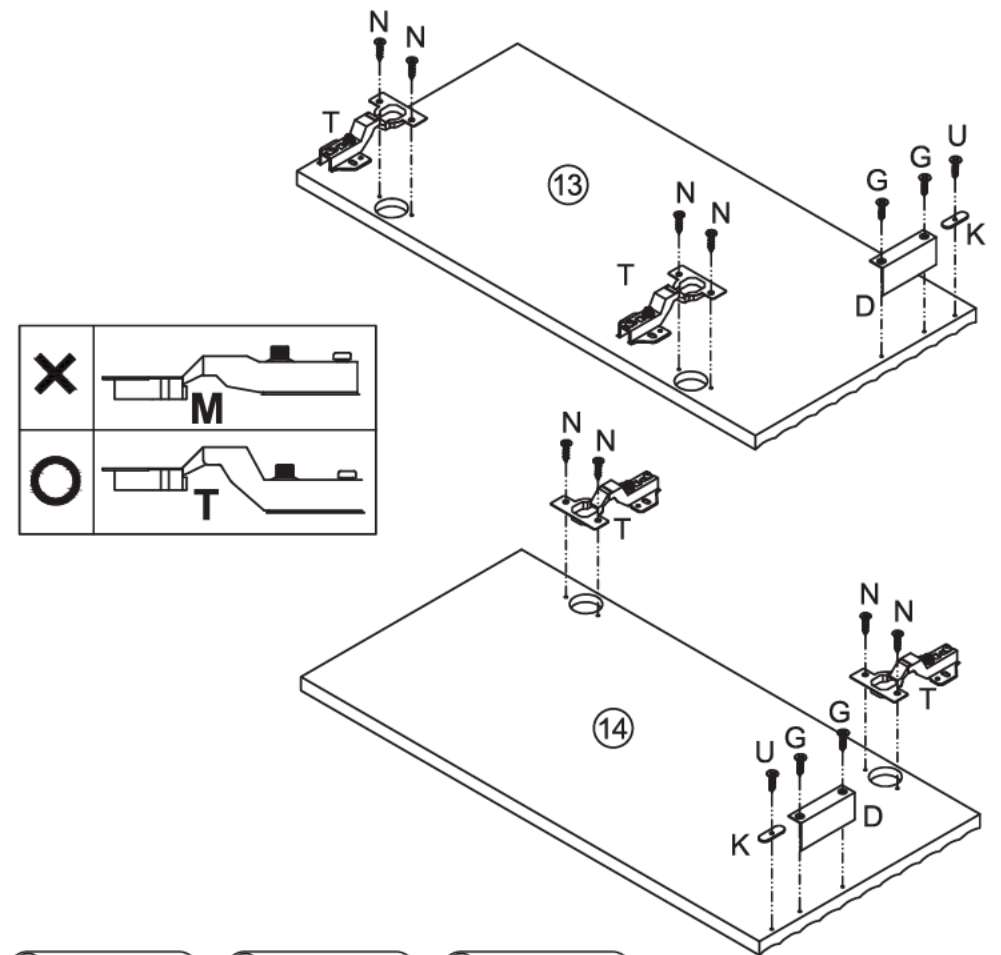


- (M)** x4
- (N)** x8
- (G)** x4
- (K)** x2
- (D)** x2
- (U)** x2

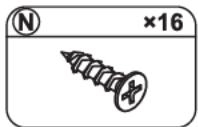
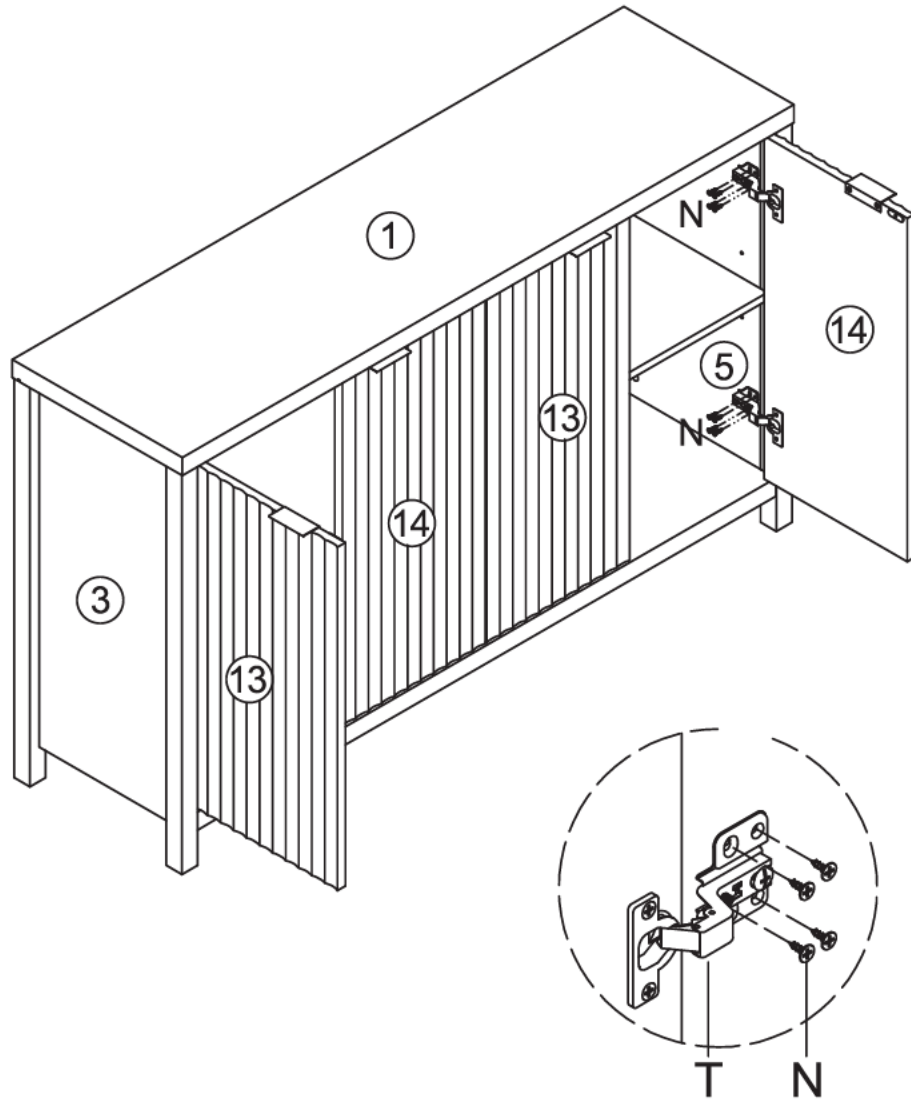
Step 13



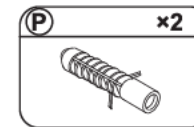
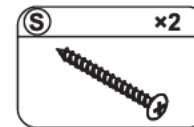
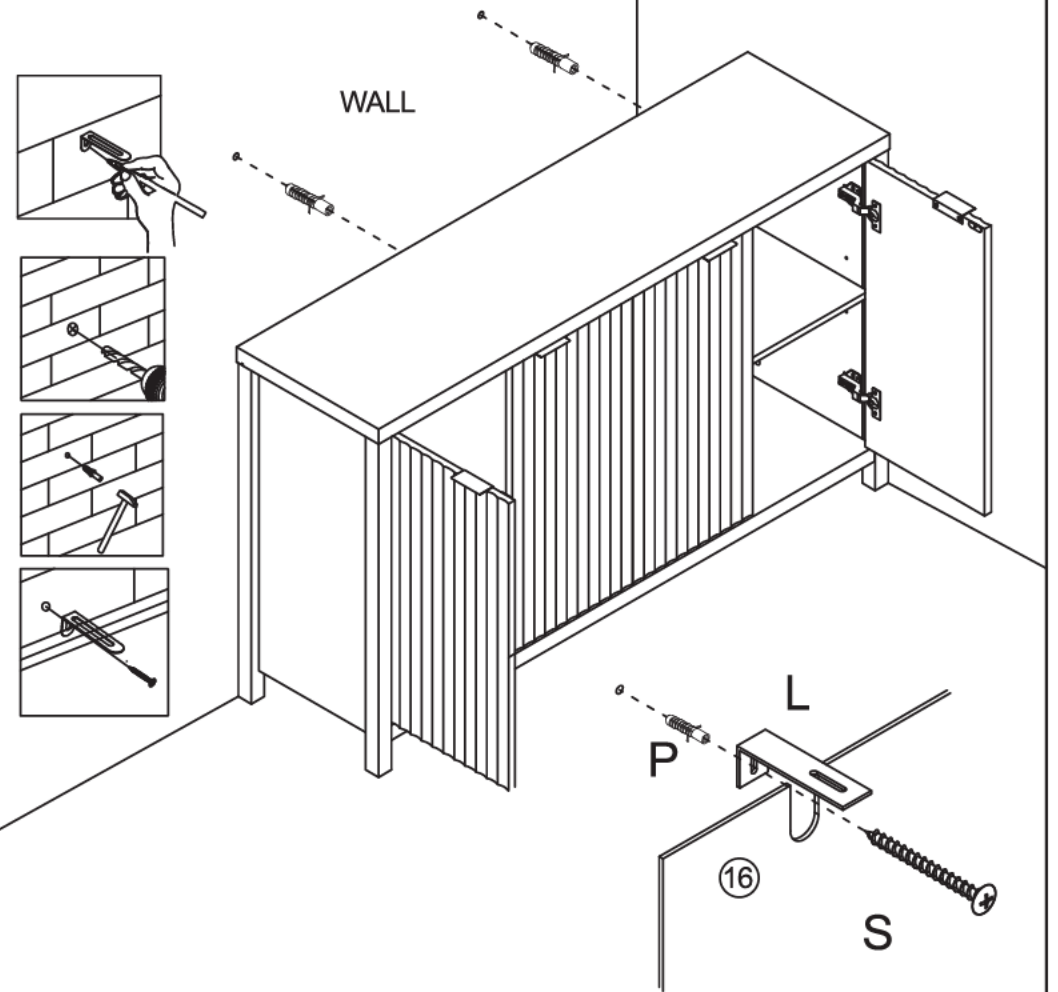
Step 14



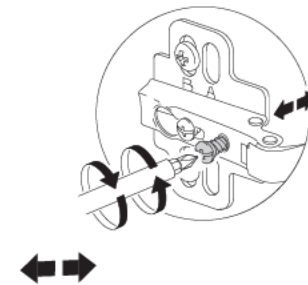
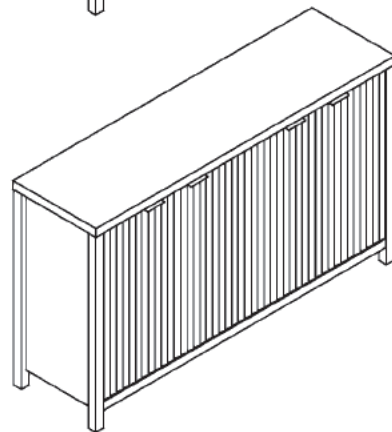
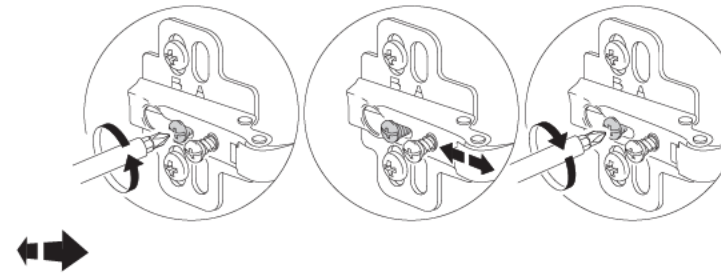
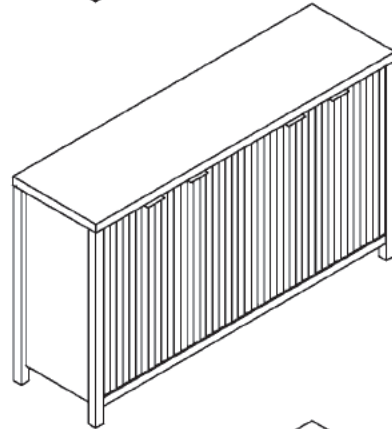
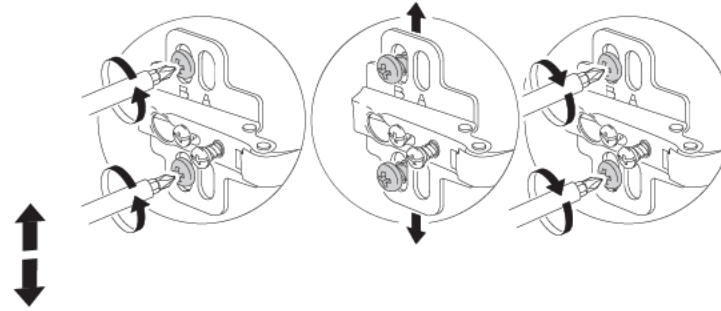
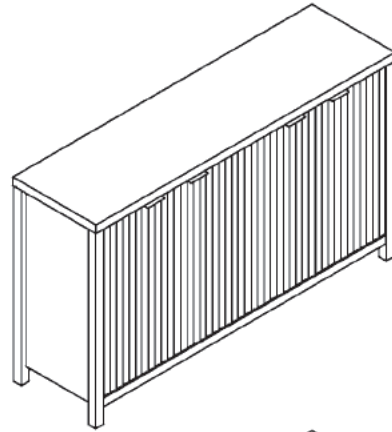
Step 15



Step 16



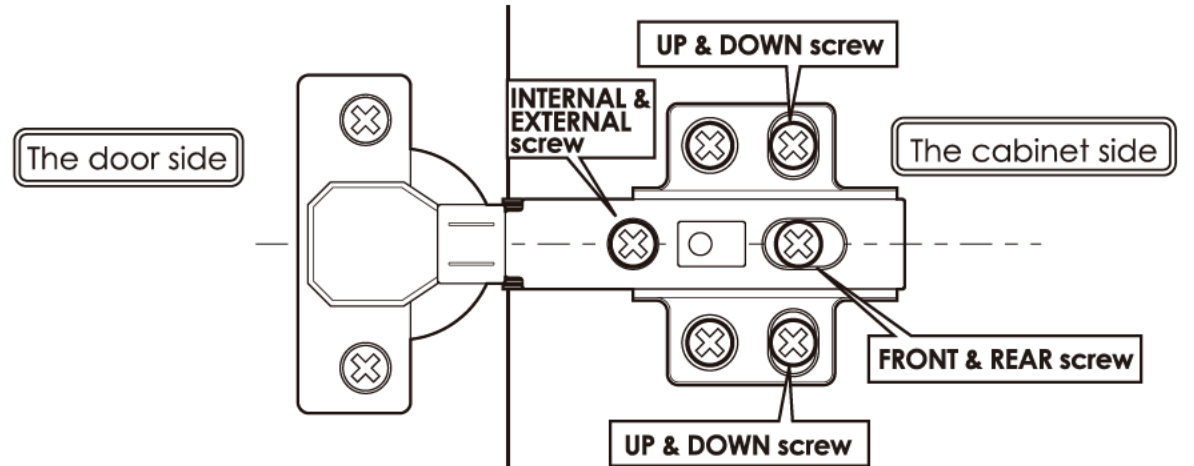
Step 17



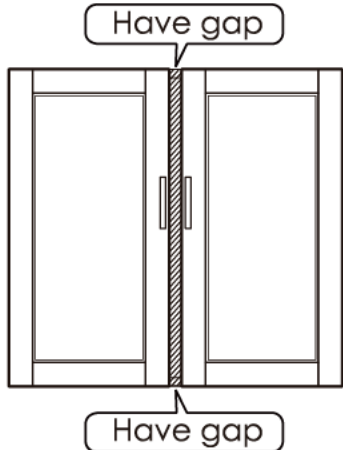
Adjusting the door

- Before adjusting the hinge, please check whether the cabinet is skewed.
- If the skew can not be repaired, please remove the anti-tipping device first, then adjust the cabinet to vertical position.
- Please adjust the hinge with the door open.
- Please operate it with more than 2 people, one person holds the door and the other one adjusts the screw.

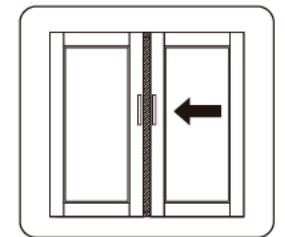
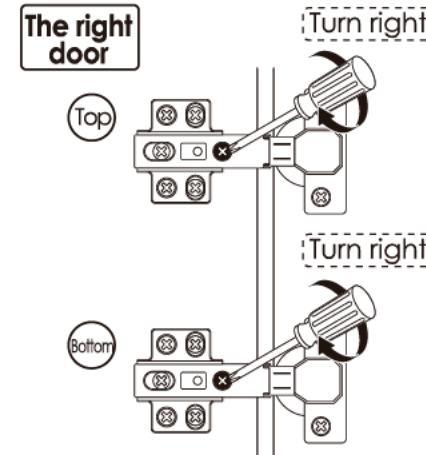
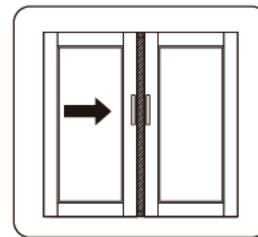
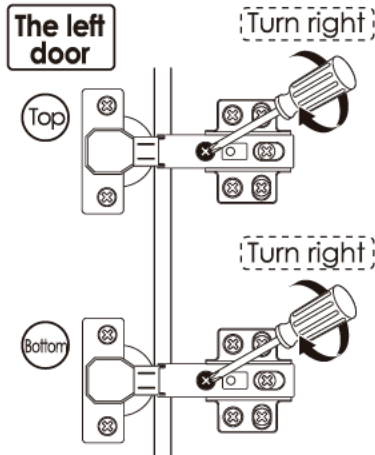
Components Name



Obvious gaps between doors or Doors don't look closed



1 Turn "internal & external screw" to the right can make the door approach inside. Please adjust the doors little by little.



※ If the 2 doors are overlap, please turn the "internal & external screw" to the left.

When door is crooked



Please take the following steps to adjust first.

1 Rotate the "front and rear screws" to the left

Top (Turn left)

Bottom (Turn left)

※ After adjusting the "front and rear screw", the door still does not change, please turn the "internal & external screw" to the right Slightly.

2 Push the door to the cabinet

3 Rotate the "front and rear screws" to the right

Top (Turn right)

Bottom (Turn right)

When door is leaning

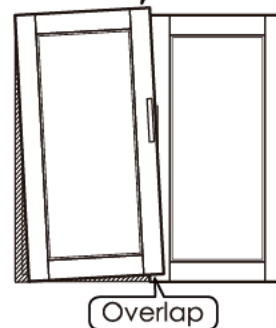


1 Turn "internal & external screw" to the left can make the top of the door tilted outward.

Top (Turn left)

Bottom

Protruding to the upside

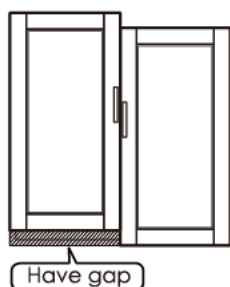


1 Turn "internal & external screw" to the left can make the bottom of the door tilted outward.

Top

Bottom (Turn left)

When the door is higher on top



1 Turn "up & down screw" to the left

Top (Turn left)

Bottom (Turn left)

2 Lower the door's height so that 2 doors are of the same height.

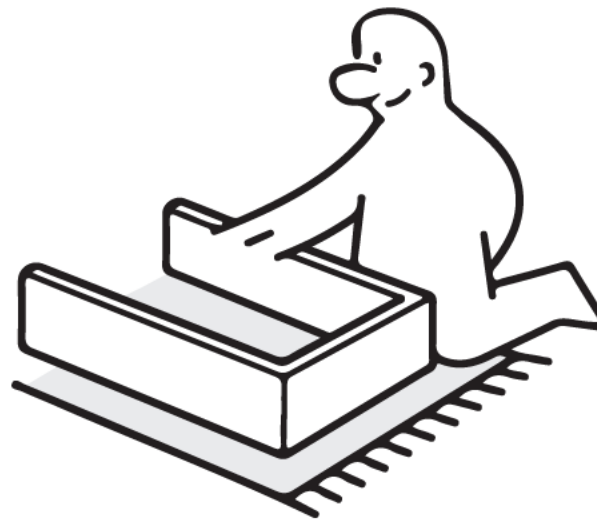
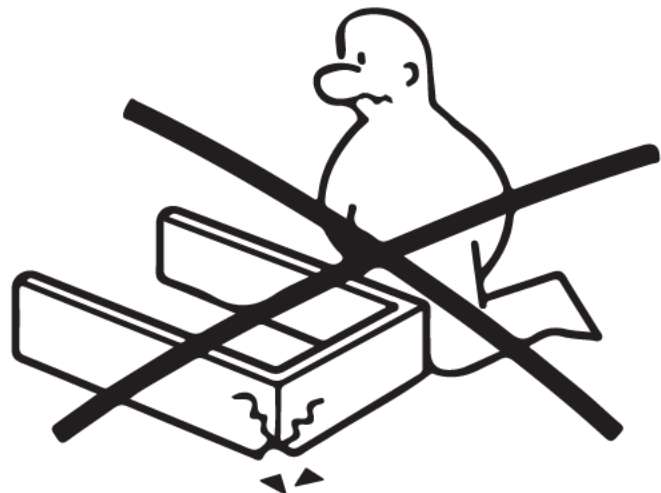
3 Turn "up & down screw" to the right

Top (Turn right)

Bottom (Turn right)

※ If the door is lower on bottom, please lift up the left door slightly on step 2

※ **Stay Scratch-Free: Safeguard Your Furniture by Assembling on Carpet.**



※ **Stuck in Assembly Limbo? Check out our website or contact our support team for quick solutions!**

