

PENDLETON

IN-WALL SHOWER DIVERTER

SKU: 948904



FEATURES

Shape: Round
Handle Type: Lever
Installation Type: Wall Mount
Assembly Required: No
Design: Modern
Metal Lever Handle
Six Total Settings Allow for Shared Water Flow Between Outlets, Giving you the Ability to Use Two Functions at Once

Optional Rough-In Valve:

Available Single-Function Diverter Valve Cartridge Restricts Water Flow to One Outlet at a Time
Brass Valve Body
Ceramic Cartridge
Not Intended as a Shut Off Valve
Must be Installed in Accordance With Provided Installation Instructions

CONTENTS

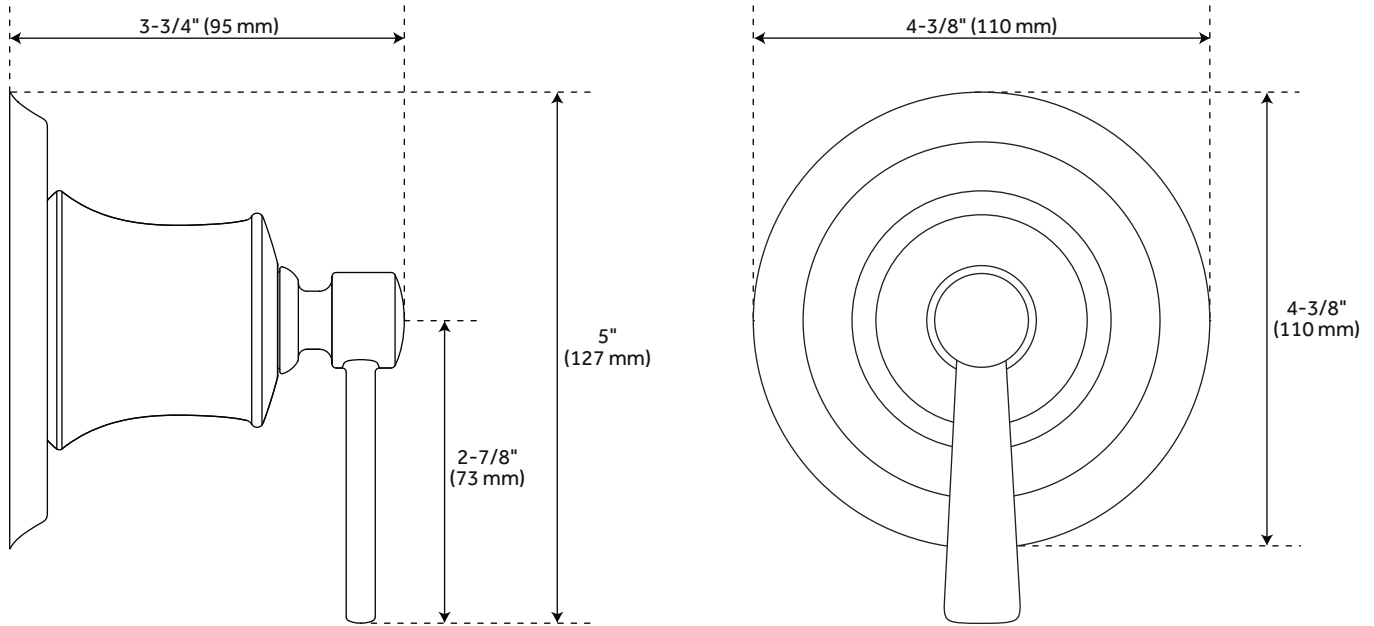
DIVERTER PAGE 2
ROUGH-IN VALVE PAGE 3

REVISED 04/08/2021

PENDLETON

IN-WALL SHOWER DIVERTER

SKU: 948904



FEATURES

Material: Brass
Width: 4-3/8"
Height: 4-3/8"
Depth: 3-3/4"
Connection: 3/4"-14 NPT
Wall Thickness Range: 1" to 1-3/4"
Recommended Valve Installation Depth:
1-5/8" to 2-3/8"

CODES/STANDARDS

cUPC
ASME A112.18.1/CSA B125.1
ICC/ANSI A117.1 (when installed
according to ADA standards)
Massachusetts Accepted

PRODUCT IMAGE



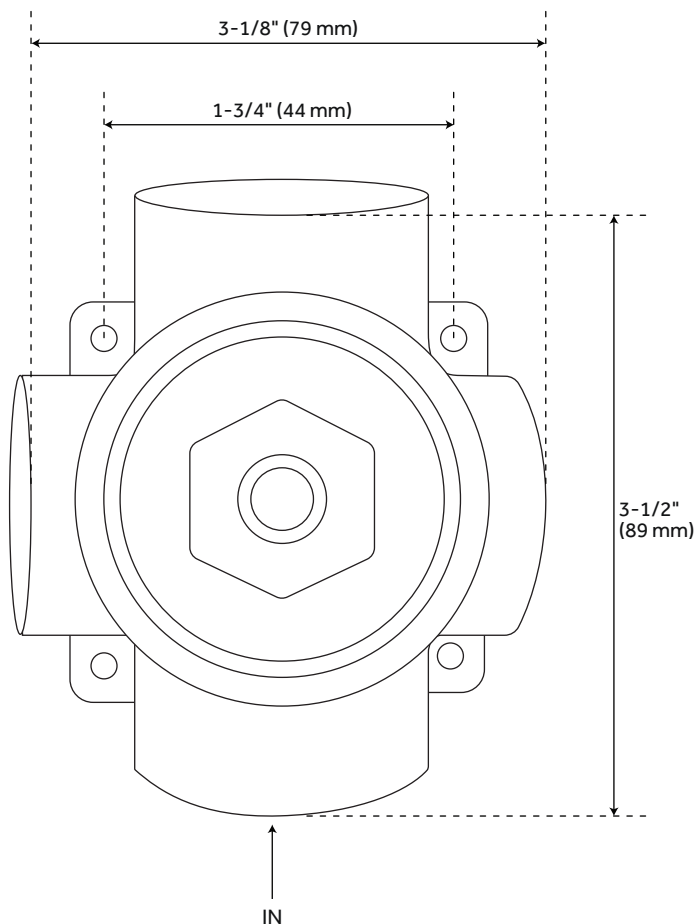
All dimensions and specifications are nominal and may vary. Use actual products for accuracy in critical situations.

PAGE 2
Code: SHPT9005

PENDLETON

OPTIONAL 3-WAY IN-WALL DIVERTER ROUGH-IN VALVE - 3/4"

SKU: 948904



FEATURES

Material: Brass
Connection: 3/4"-14 NPT
For Installations Only Requiring 2 Outlets,
the 3rd Outlet May be Looped into
One of the Existing Pipes

CODES/STANDARDS

cUPC
ASME A112.18.1/CSA B125.1
Massachusetts Accepted

PRODUCT IMAGE



All dimensions and specifications are nominal and may vary. Use actual products for accuracy in critical situations.

PAGE 3
Code: SH6103