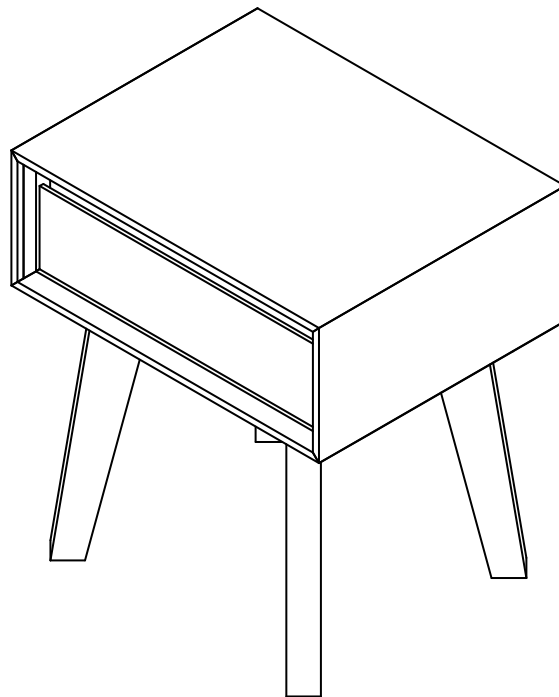


ASSEMBLY INSTRUCTIONS

DRAWER NIGHTSTAND



- Unpack all hardware bags and components to ensure you have all parts -



- Read instructions, cover to cover -



- Have 2 adults on hand for assembly -



- Do not assemble on flooring or carpet -

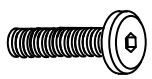


- Assemble on a clean non-marking surface (packing foam) -



- Save all packaging until finished -

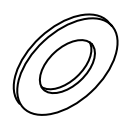
A. (M 6x50) x 8



B. (M 6 x 11) x 8



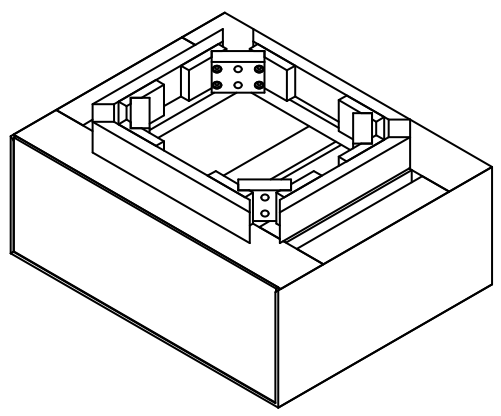
C. (M 6 x 22) x 8



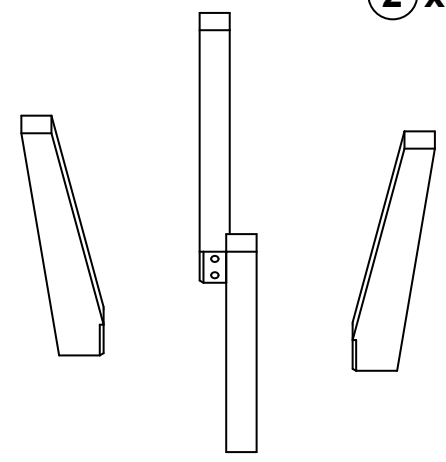
D. K4 x 1



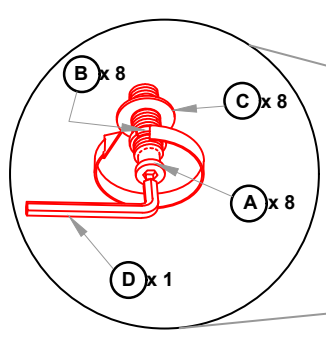
① x 1



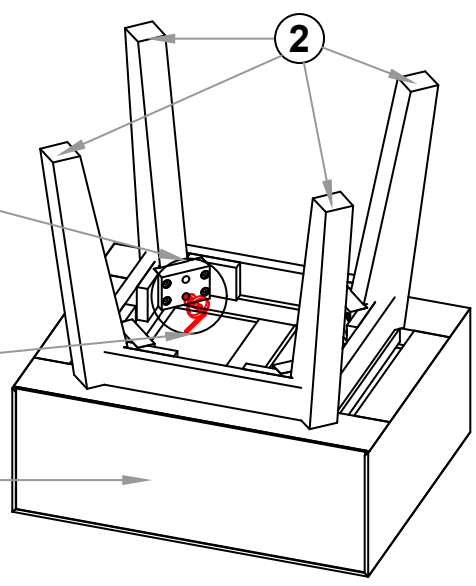
② x 4



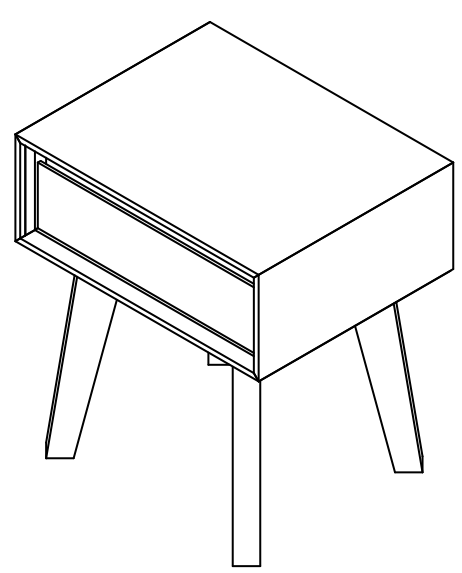
STEP: 1



①



FINISHED



CARE & MAINTENANCE



● Do not put hot items directly on furniture surface.



● Do not clean furniture with harsh cleansers or polish.



● Do not place furniture near heating or cooling vents.



● Do not write on furniture without a padded barrier to protect the surface.



● Do for commercial use. For residential use only.



● Stains may be removed with mild soap solution and damp cloth.



● Indoor / outdoor use
(Rust resistant / -15 degrees celsius / -59 degrees fahrenheit)



● Dust and pick up spills using a clean, non colored, lint-free cloth