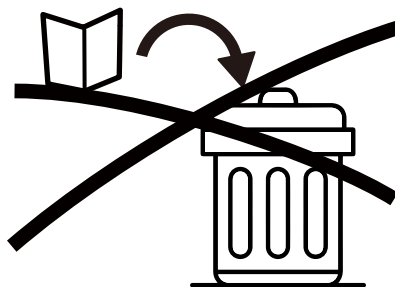
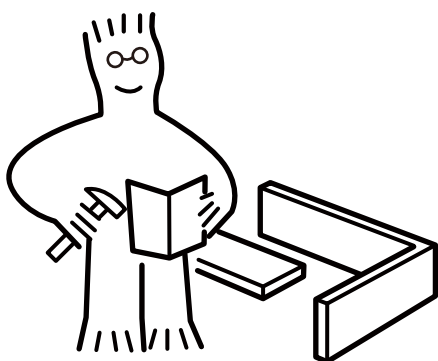




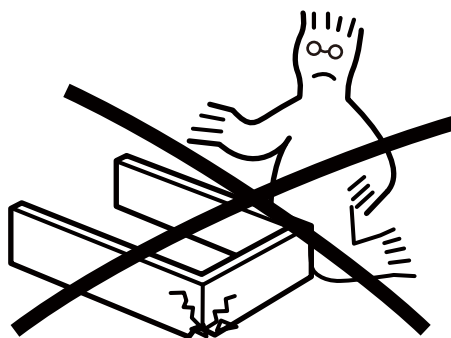
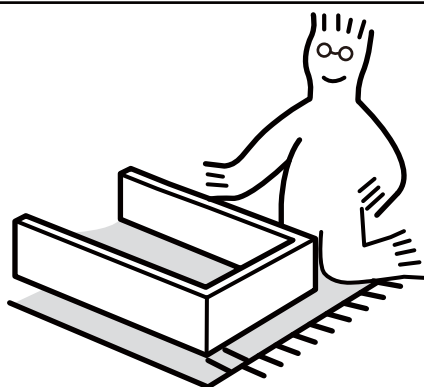
ASSEMBLY INSTRUCTIONS

NOTICE

IMPORTANT, RETAIN FOR FUTURE REFERENCE: READ CAREFULLY
WICHTIG, FÜR SPÄTERE NACHSCHLAGE AUFBEWAHREN: SORGFÄLTIG LESEN
IMPORTANTE, GUARDAR PARA REFERENCIA POSTERIOR: LEER ATENTAMENTE
IMPORTANTE, CONSERVARE PER RIFERIMENTI FUTURI: LEGGERE ATTENTAMENTE
IMPORTANT, À CONSERVER POUR RÉFÉRENCE FUTURE : LIRE ATTENTIVEMENT



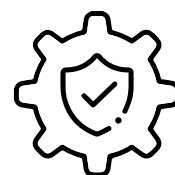
Assemble on a flat, clean and soft surface.
Auf einer flachen, sauberen und weichen Oberfläche zusammenbauen.
Assembler sur une surface plate, propre et douce.
Assemblare su una superficie piatta, pulita e morbida.
Ensamblar sobre una superficie plana, limpia y suave.



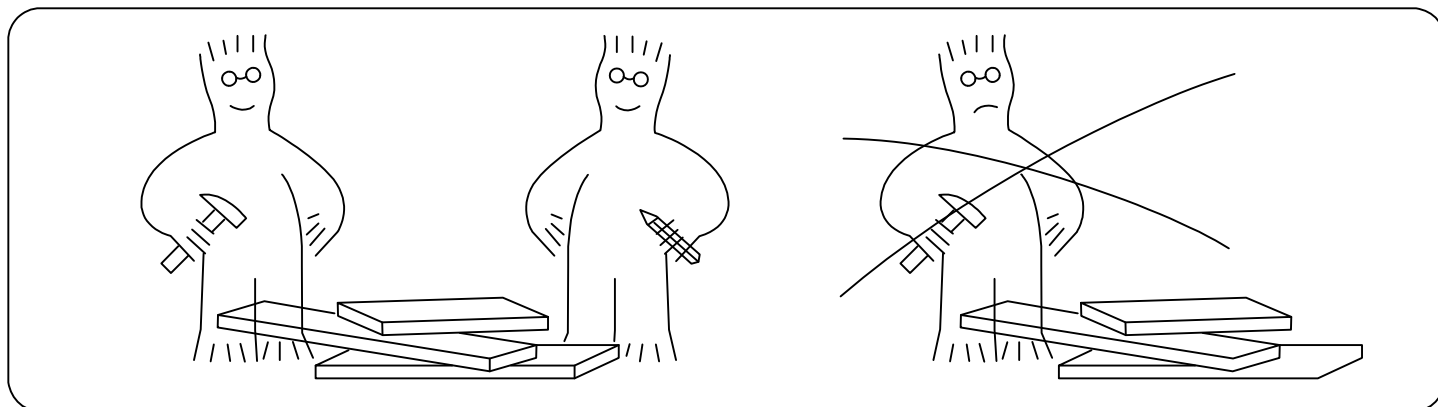
Professional installation is highly recommended.
Eine professionelle Installation wird dringend empfohlen.
Une installation professionnelle est fortement recommandée.
Si raccomanda vivamente l'installazione professionale.
Se recomienda altamente la instalación profesional.



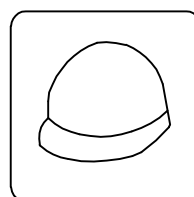
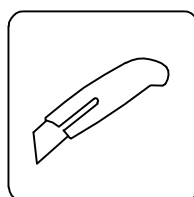
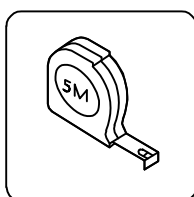
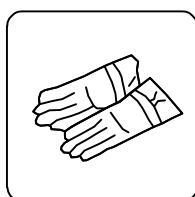
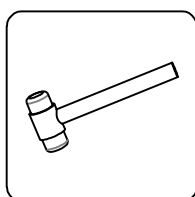
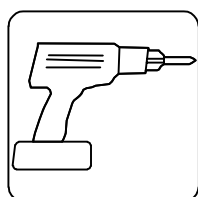
Periodically Check That All Components Are Tightly Secured.
Überprüfen Sie Regelmäßig, Dass Alle Komponenten Fest Gesichert Sind.
Vérifiez Périodiquement Que Tous Les Composants Sont Bien Fixés.
Controllare Periodicamente Che Tutti I Componenti Siano Ben Fissati.
Verifique Periódicamente Que Todos Los Componentes Estén Bien Asegurados.



It is recommended that multiple people assemble this product.
Es wird empfohlen, dass mehrere Personen dieses Produkt zusammenbauen.
Il est recommandé que plusieurs personnes assemblent ce produit.
Si raccomanda che più persone assemblino questo prodotto.
Se recomienda que varias personas ensamblen este producto.



Please have the following auxiliary tools ready:





WARNING

Battery Safety Warning

- This product may or may not contain a button cell or coin battery depending on the model configuration.

INGESTION HAZARD

- Death or serious injury can occur if swallowed. A swallowed button or coin cell battery can cause **Internal Chemical Burns** in as little as **2 hours**.
- **KEEP** new and used batteries **OUT OF REACH of CHILDREN**.
- Seek immediate medical attention if a battery is suspected to have been swallowed or inserted inside any part of the body.

Battery Use and Handling

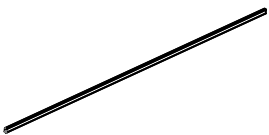


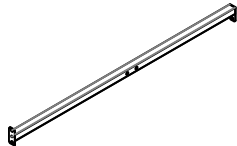
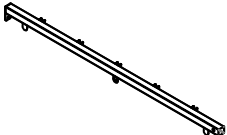
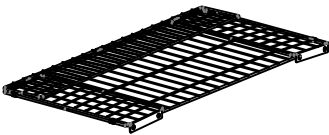
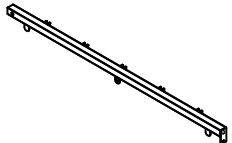


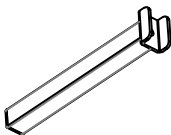


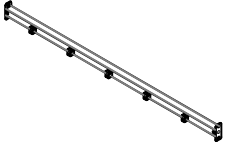
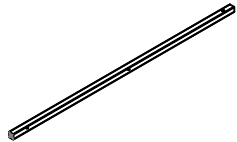

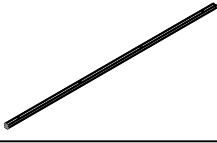
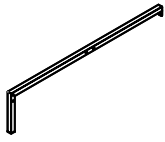

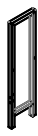
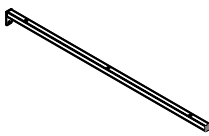
- Use only compatible battery types (e.g., LR44, CR2032) with the correct nominal voltage.
- Install batteries according to correct polarity (+/-).
- Do not mix old and new batteries, different brands, or different types (e.g., alkaline, carbon-zinc, or rechargeable).
- Remove batteries from devices not used for extended periods.
- Recycle or dispose of used batteries properly, following local regulations. Do NOT throw into household trash or incinerate.
- Do NOT recharge non-rechargeable batteries.
- Do NOT force discharge, disassemble, heat above the manufacturer's recommended temperature, or incinerate. This may cause leakage, explosion, or chemical burns.

Battery Compartment Safety


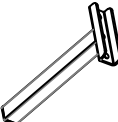
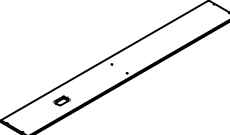
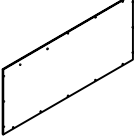



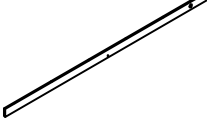
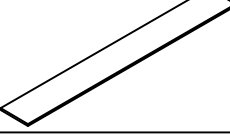

- Always ensure the battery compartment is completely secured.
- If the compartment does not close properly, stop using the product. Remove the batteries and keep them away from children.


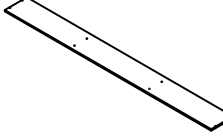
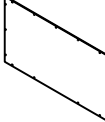
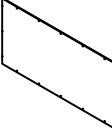
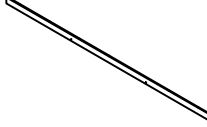
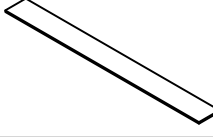
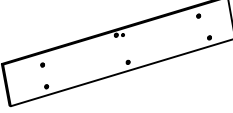
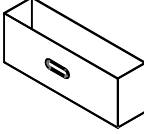


PARTS

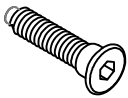

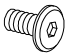

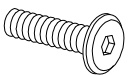
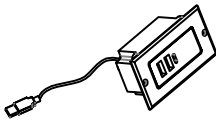
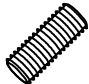
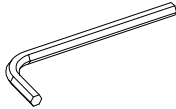
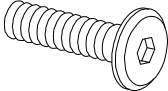

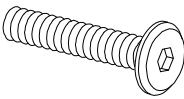
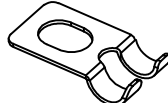
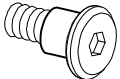
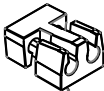
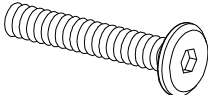
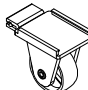
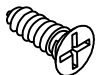
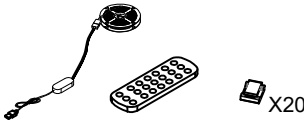

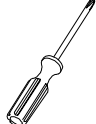
Item no. Nr. N ° d article Articolo No. Artículo No	Reference Image Referenzbild Image de référence Immagine di riferimento Imagen de referencia	Qty Menge Qté. Qtà Cant.	Item no. Nr. N ° d article Articolo No. Artículo No	Reference Image Referenzbild Image de référence Immagine di riferimento Imagen de referencia	Qty Menge Qté. Qtà Cant.
1		X10	11		X1
2		X1	12		X1
3		X1	13		X2
4		X1	14		X1
5		X1	15		X2
6		X1	16		X1
7		X2	17		X1
8		X2	18		X1
9		X1	19		X1
10		X1	20		X3

PARTS

Item no. Nr. N ° d article Articolo No. Artículo No	Reference Image Referenzbild Image de référence Immagine di riferimento Imagen de referencia	Qty Menge Qté. Qtà Cant.
21		X1
22		X1
23		X1
24		X2
25		X1
26		X3
27		X1
28		X1
29		X1
30		X1

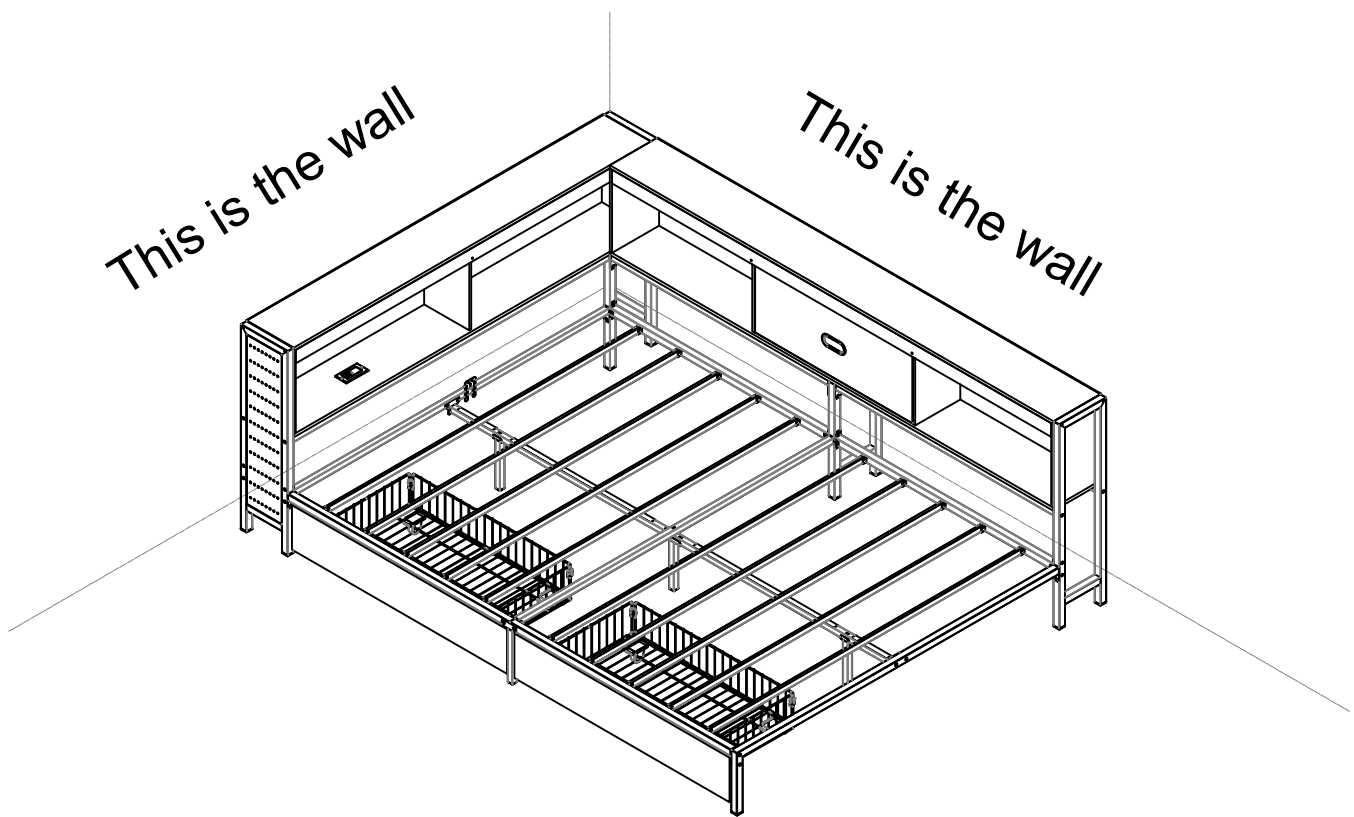
Item no. Nr. N ° d article Articolo No. Artículo No	Reference Image Referenzbild Image de référence Immagine di riferimento Imagen de referencia	Qty Menge Qté. Qtà Cant.
31		X1
32		X1
33		X2
34		X1
35		X1
36		X1
41		X2
43		X1

PARTS

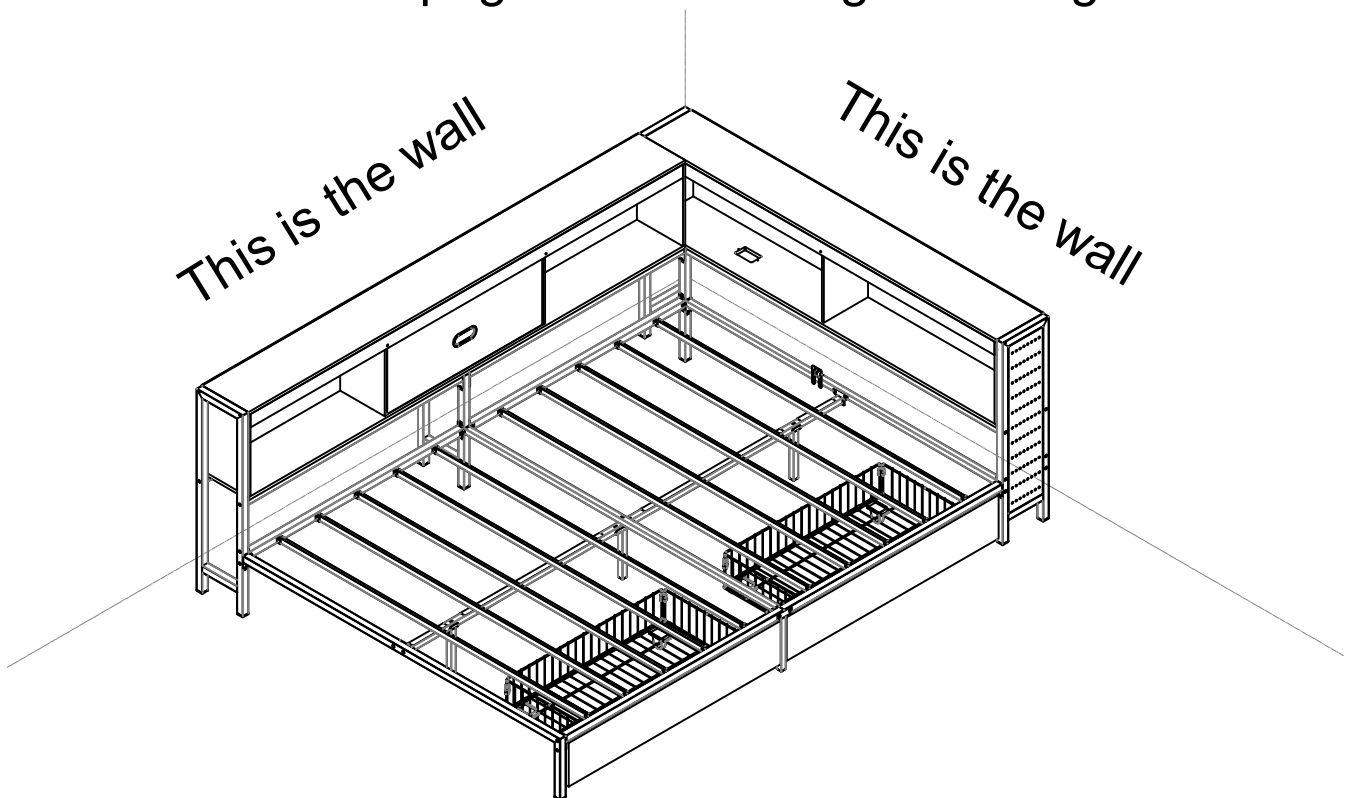
Item no. Nr N °d article Articolo No. Artículo No	Reference Image Referenzbild Image de référence Immagine di riferimento Imagen de referencia	Qty Menge Qté. Qtà Cant.	Item no. Nr N °d article Articolo No. Artículo No	Reference Image Referenzbild Image de référence Immagine di riferimento Imagen de referencia	Qty Menge Qté. Qtà Cant.
(A)	 Ø5*38	X27	(K)	 Ø10	X9
(B)	 M6*10	X10	(L)	 M3	X1
(C)	 M6*30	X19	(M)		X1
(D)	 M6*10	X27	(N)	 M5	X1
(E)	 M8*35	X16	(O)	 M4	X1
(F)	 M8*40	X15	(P)		X2
(G)	 M6*10(Ø8*5)	X2	(Q)		X4
(H)	 M8*50	X8	(R)		X8
(I)	 M3.0*12	X73	(V)	 X20	X1
(J)	 M8	X13	(Y)		X1

INSTALLATION DIRECTORY

1、 Right installation page number : Page 5--Page 36

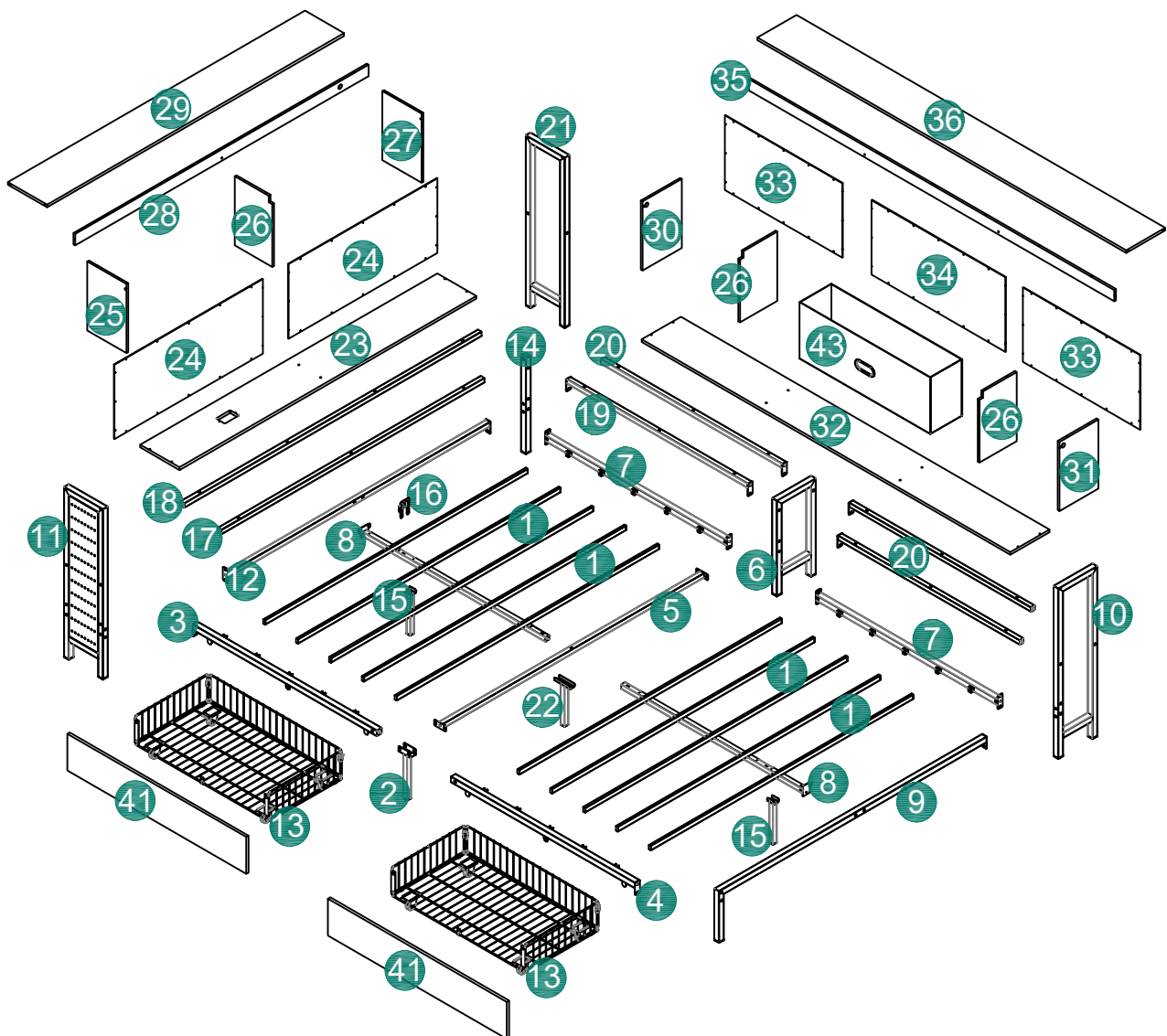


2、 Left installation page number : Page 37--Page 68

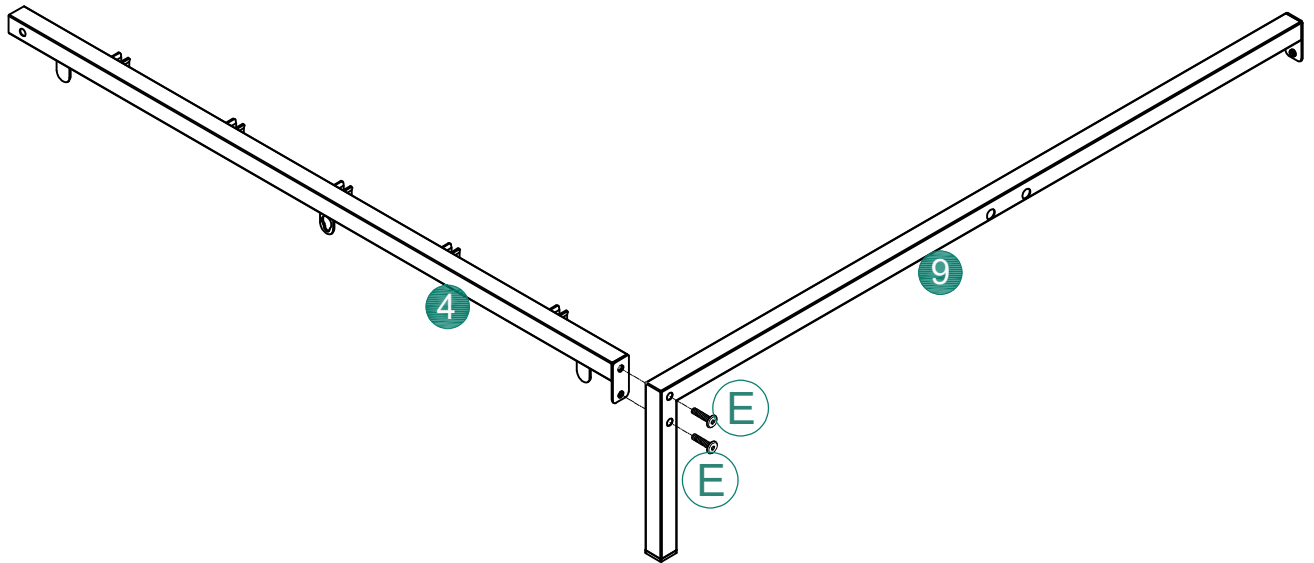
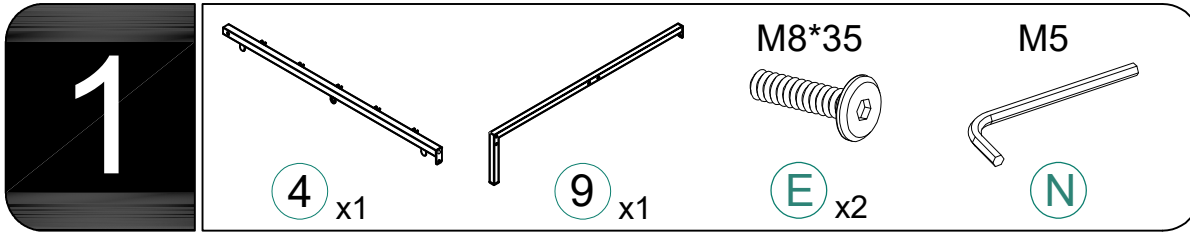


EXPLODED VIEW

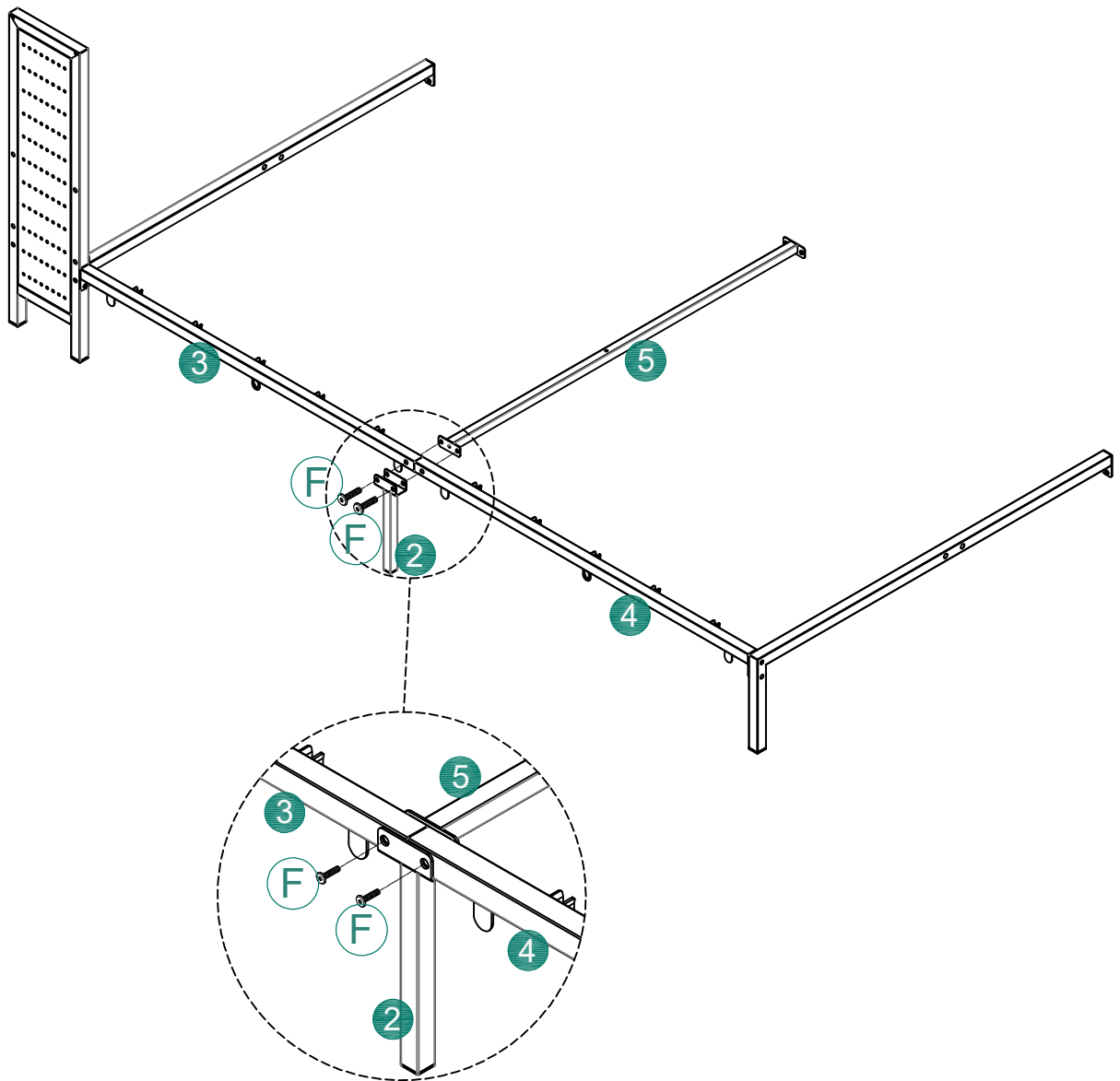
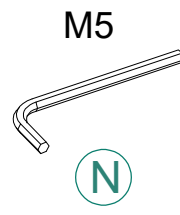
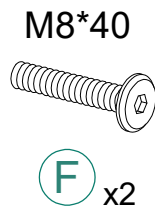
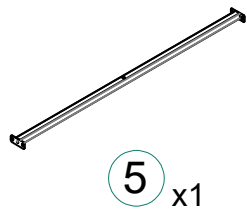
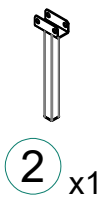
Right side installation



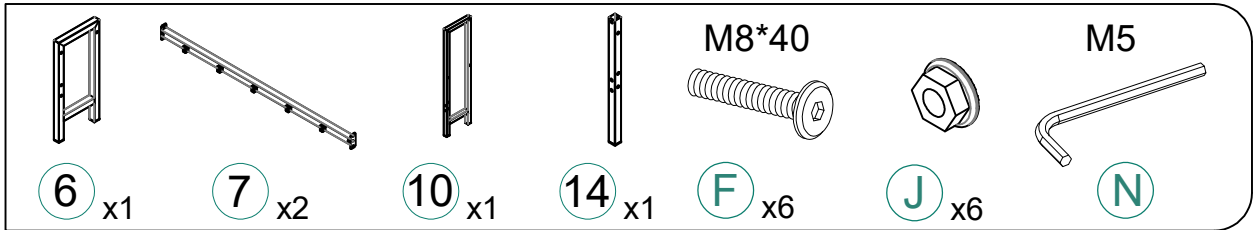
ASSEMBLY



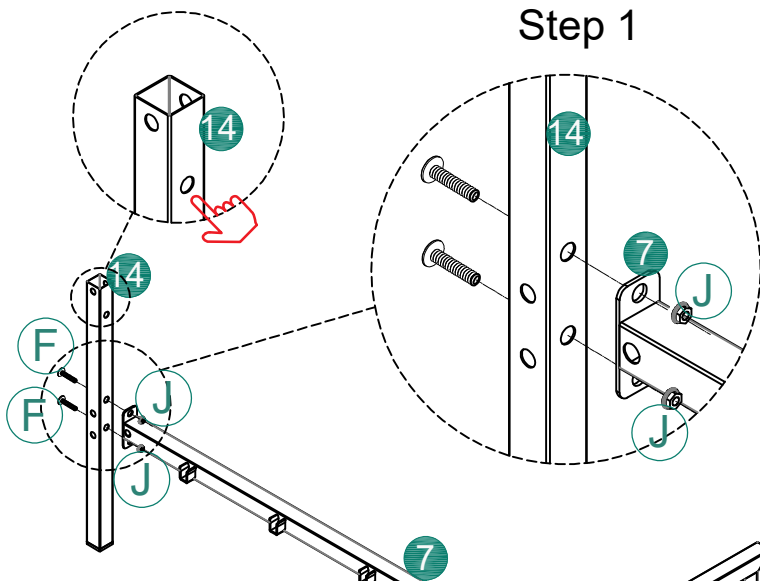
3



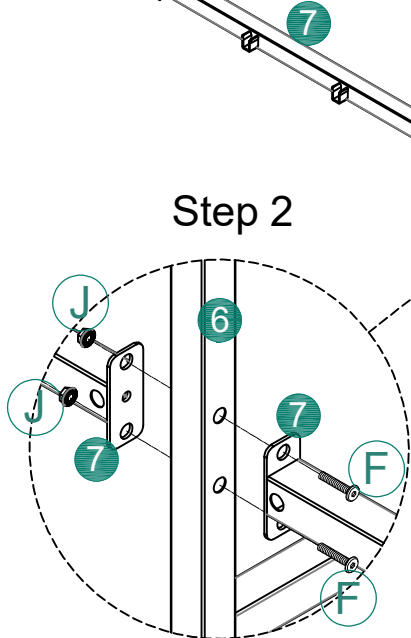
4



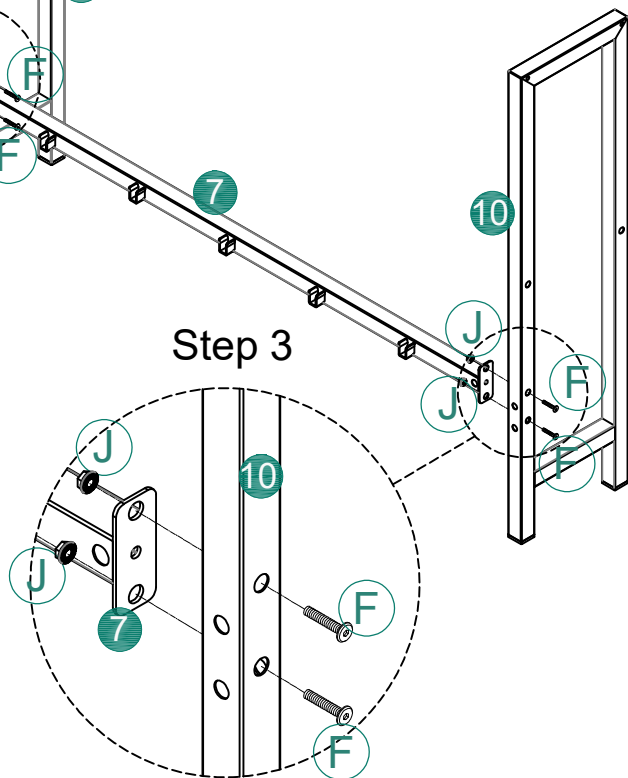
Step 1



Step 2




Step 3

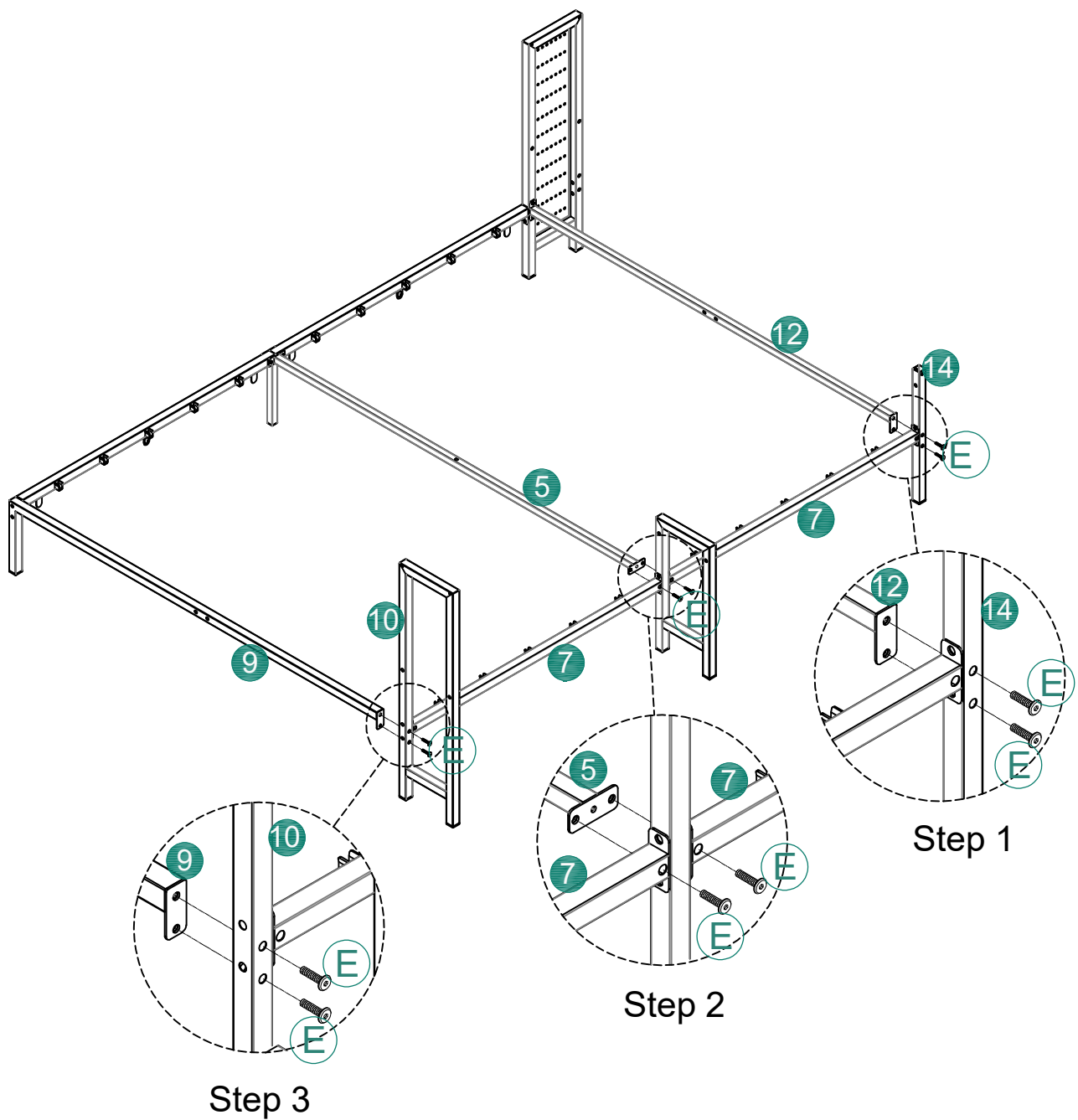


5

M8*35 M5



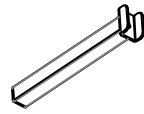
E x6 N



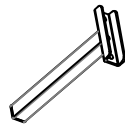
6



8 x2



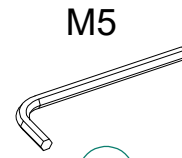
15 x2



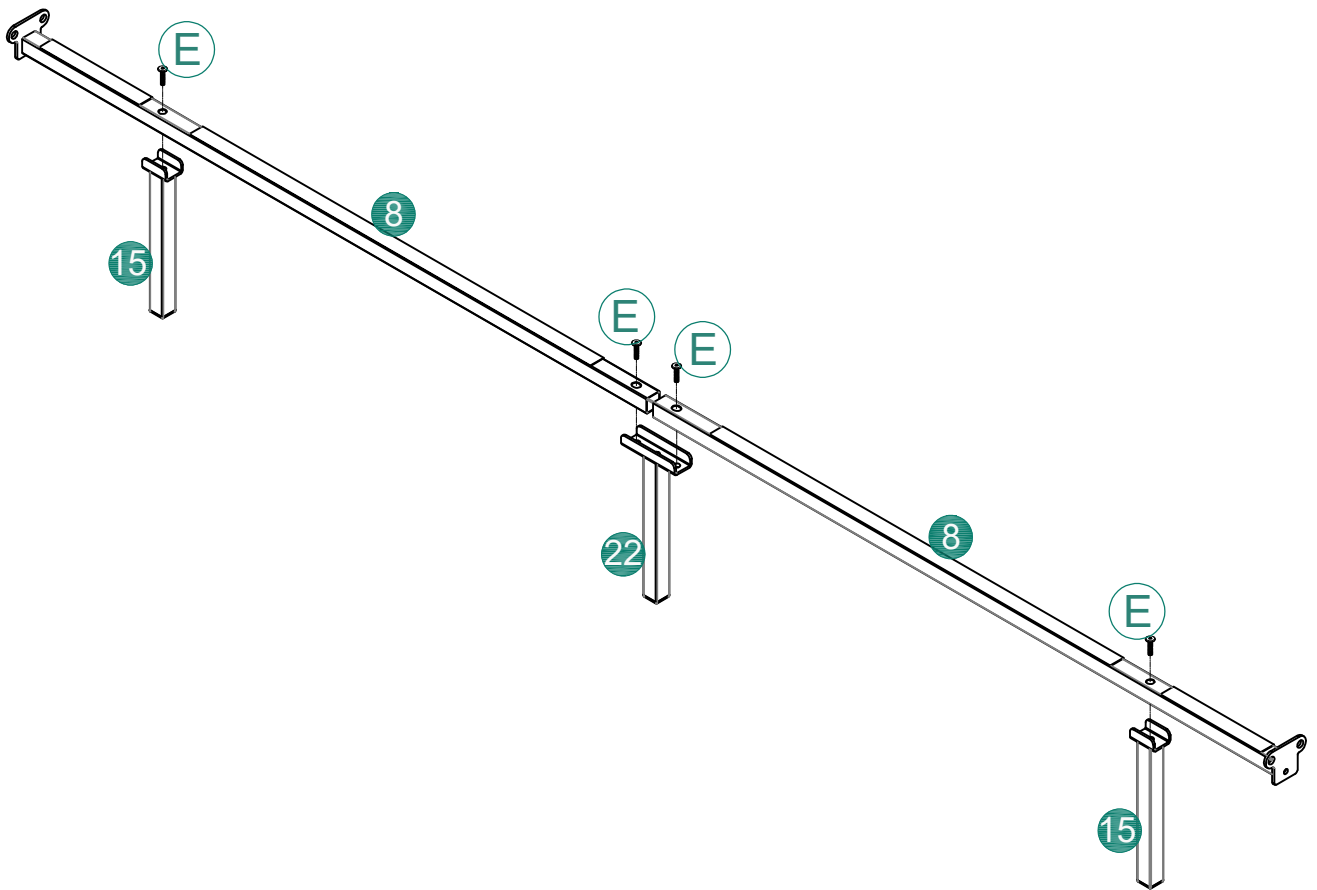
22 x1



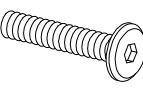
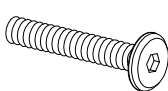




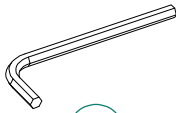
M8*35
E x4

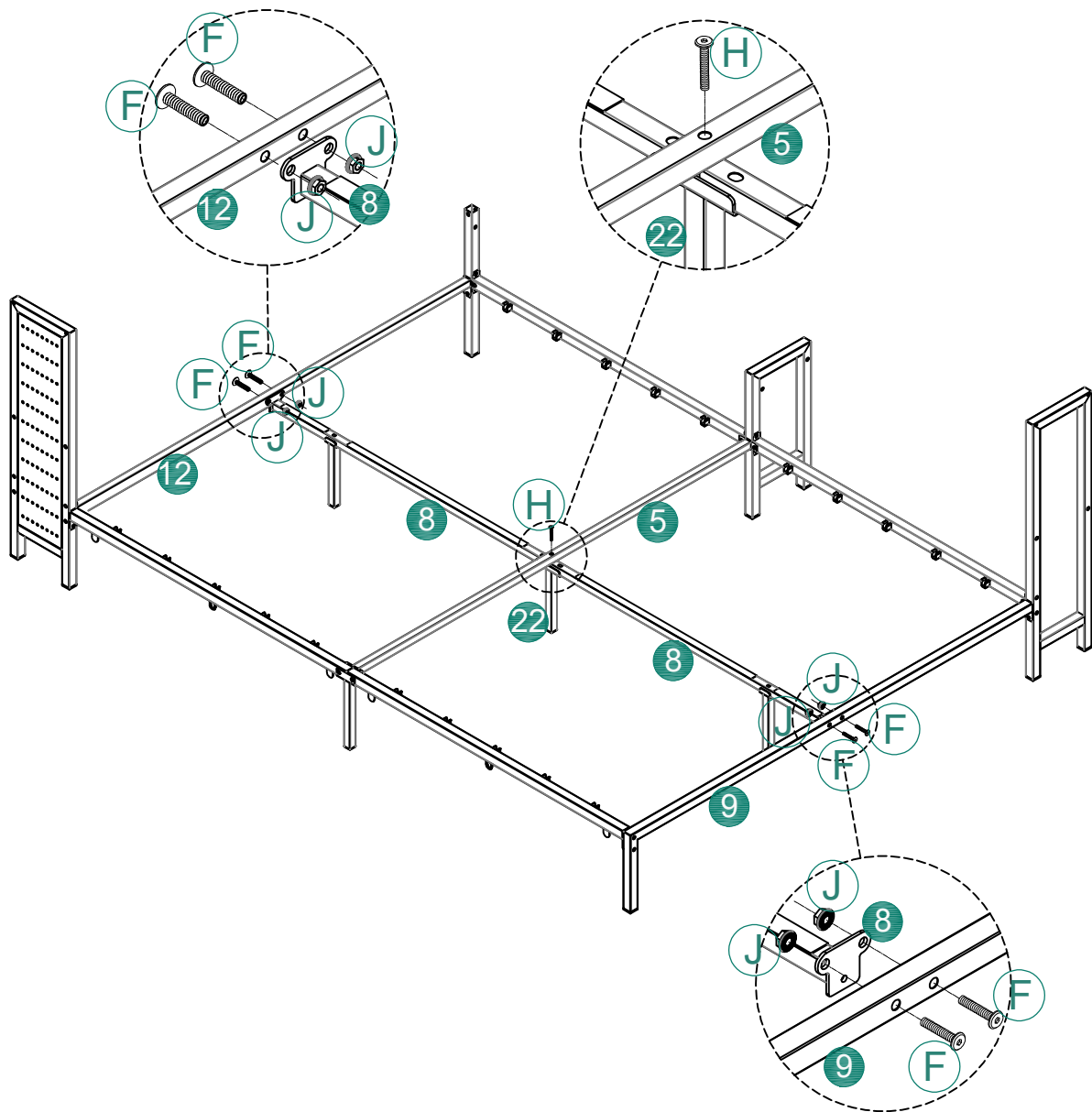


M5
N

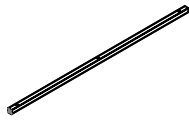


7

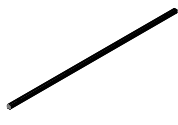
M8*40	M8*50	M5
		
 (F) x4	 (H) x1	 (J) x4
		 (N)



8



17 x1

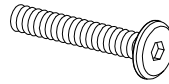


18 x1



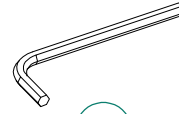
21 x1

M8*50



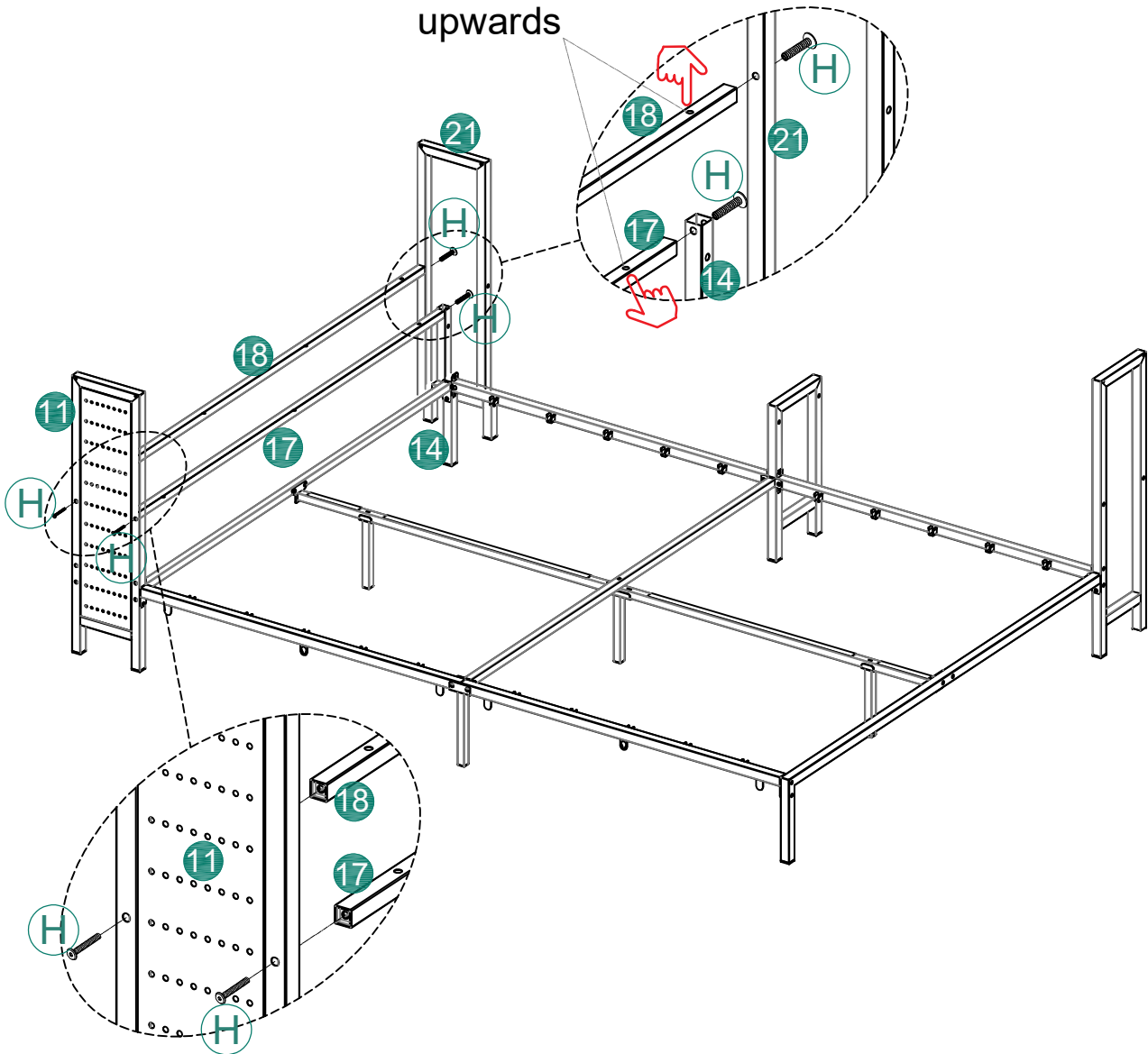
H x4

M5



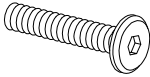
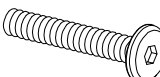




N

hole facing upwards

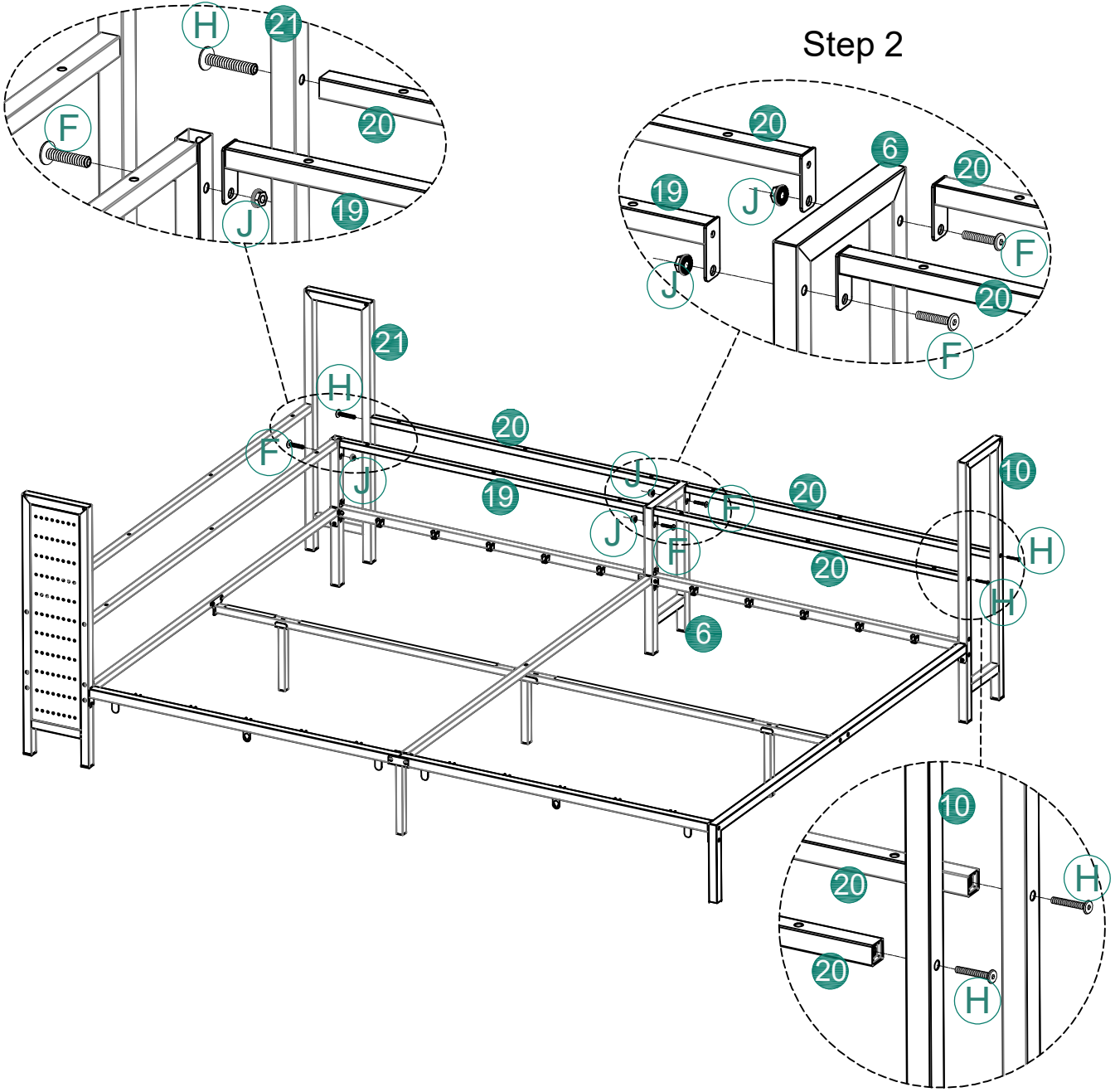


9

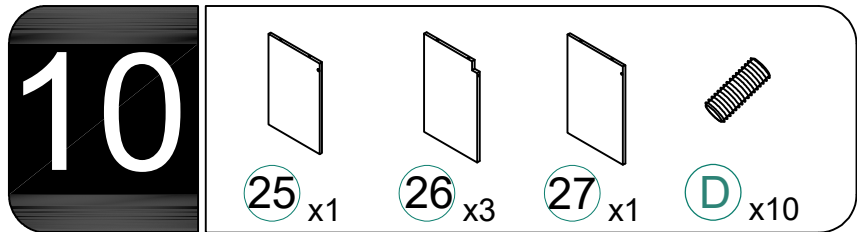
					
19 x1	20 x3	F x3	H x3	J x3	N

Step 3

Step 2

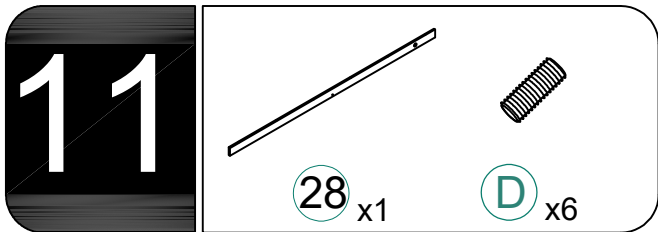


Step 1

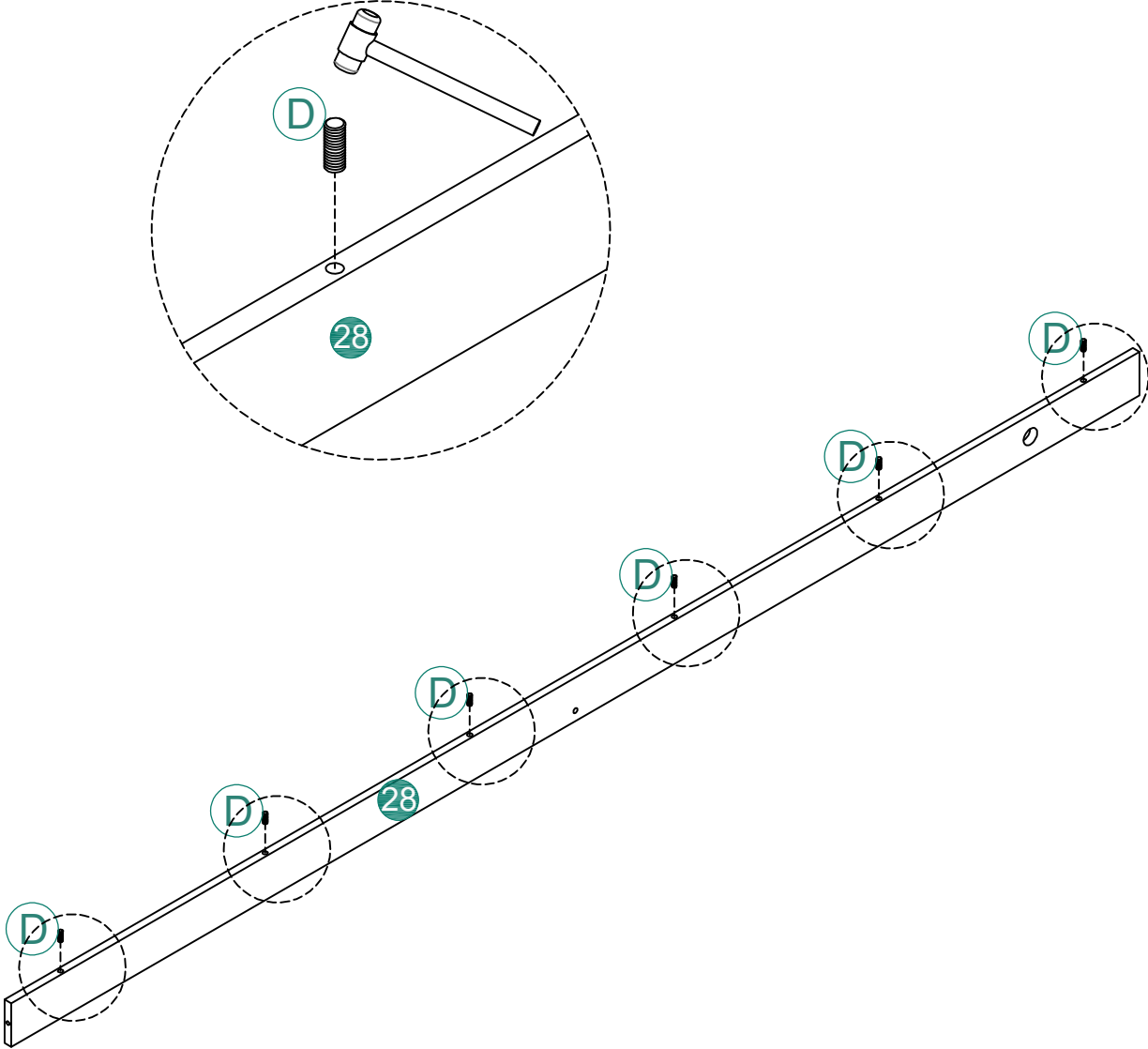


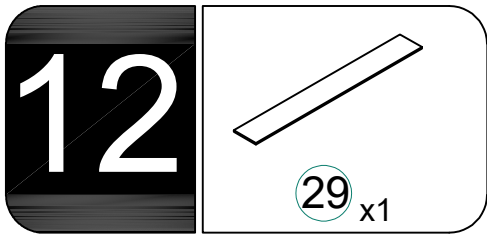
Tap gently with a rubber hammer, be careful not to hurt your fingers



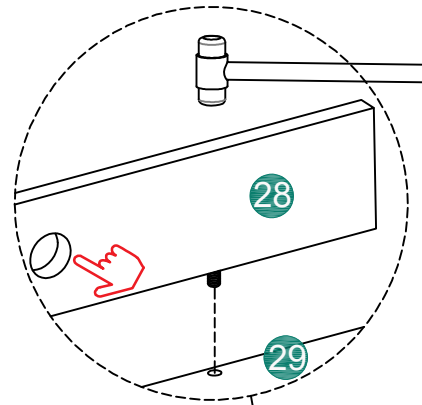


Tap gently with a rubber hammer, be careful not to hurt your fingers

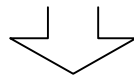
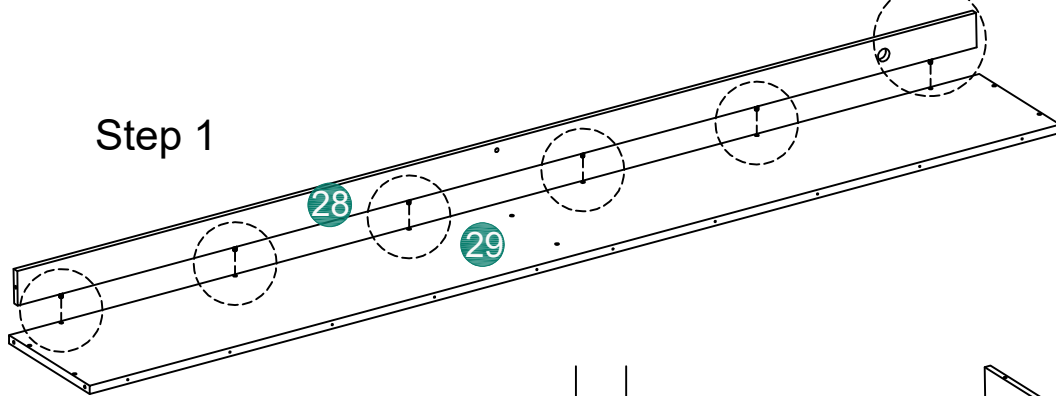




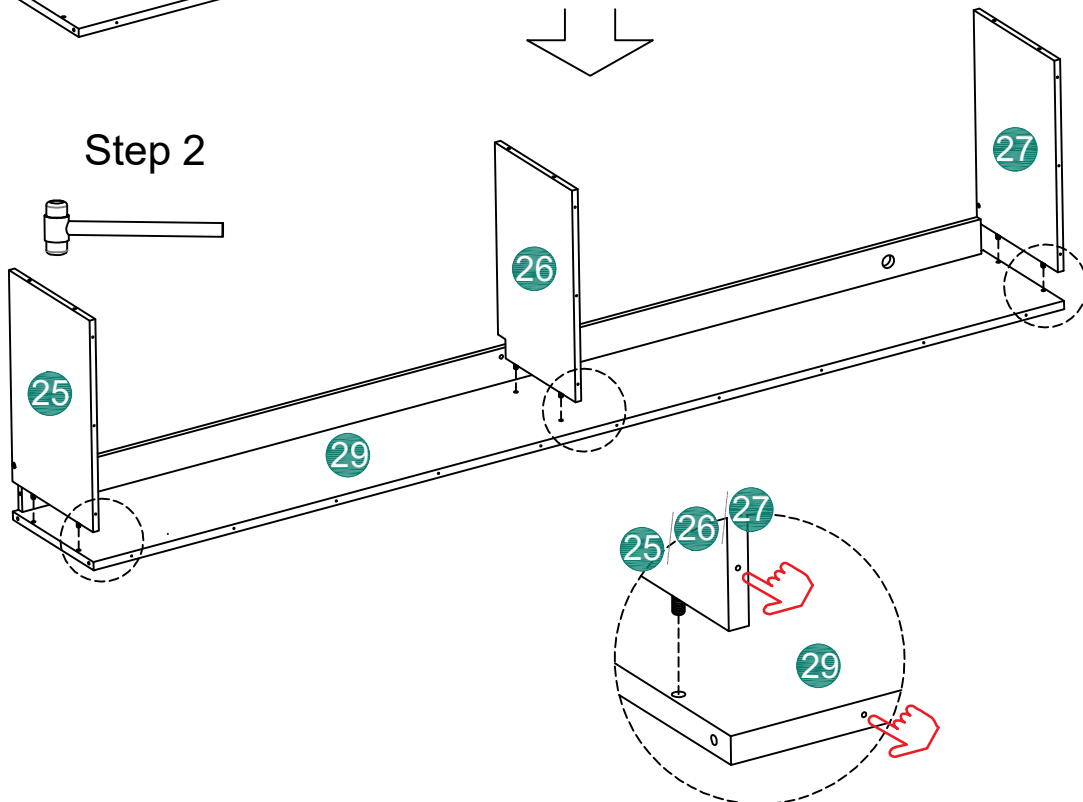
Use a glue hammer to lightly tap different areas on the wooden board



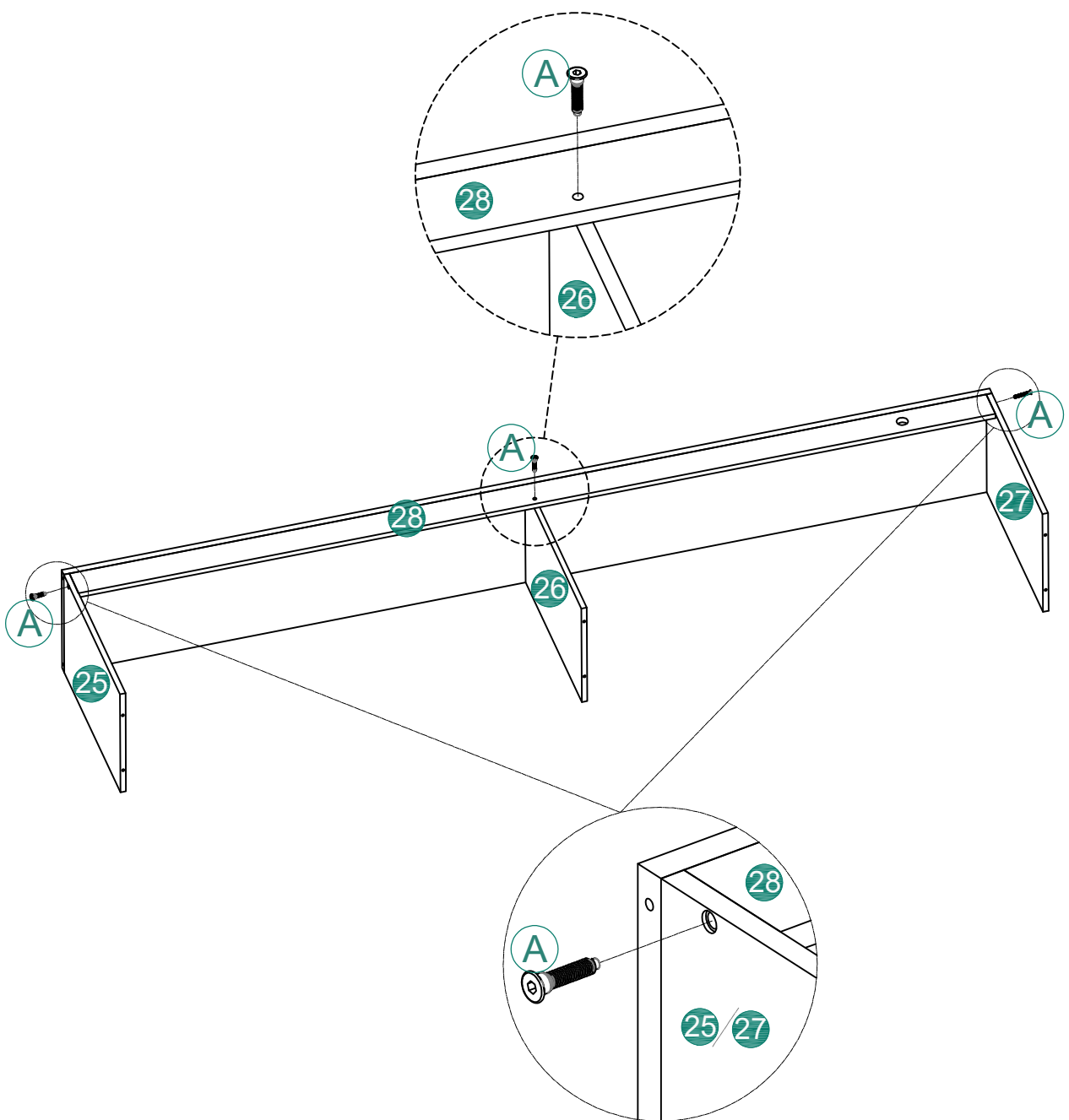
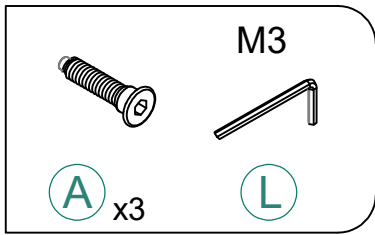
Step 1



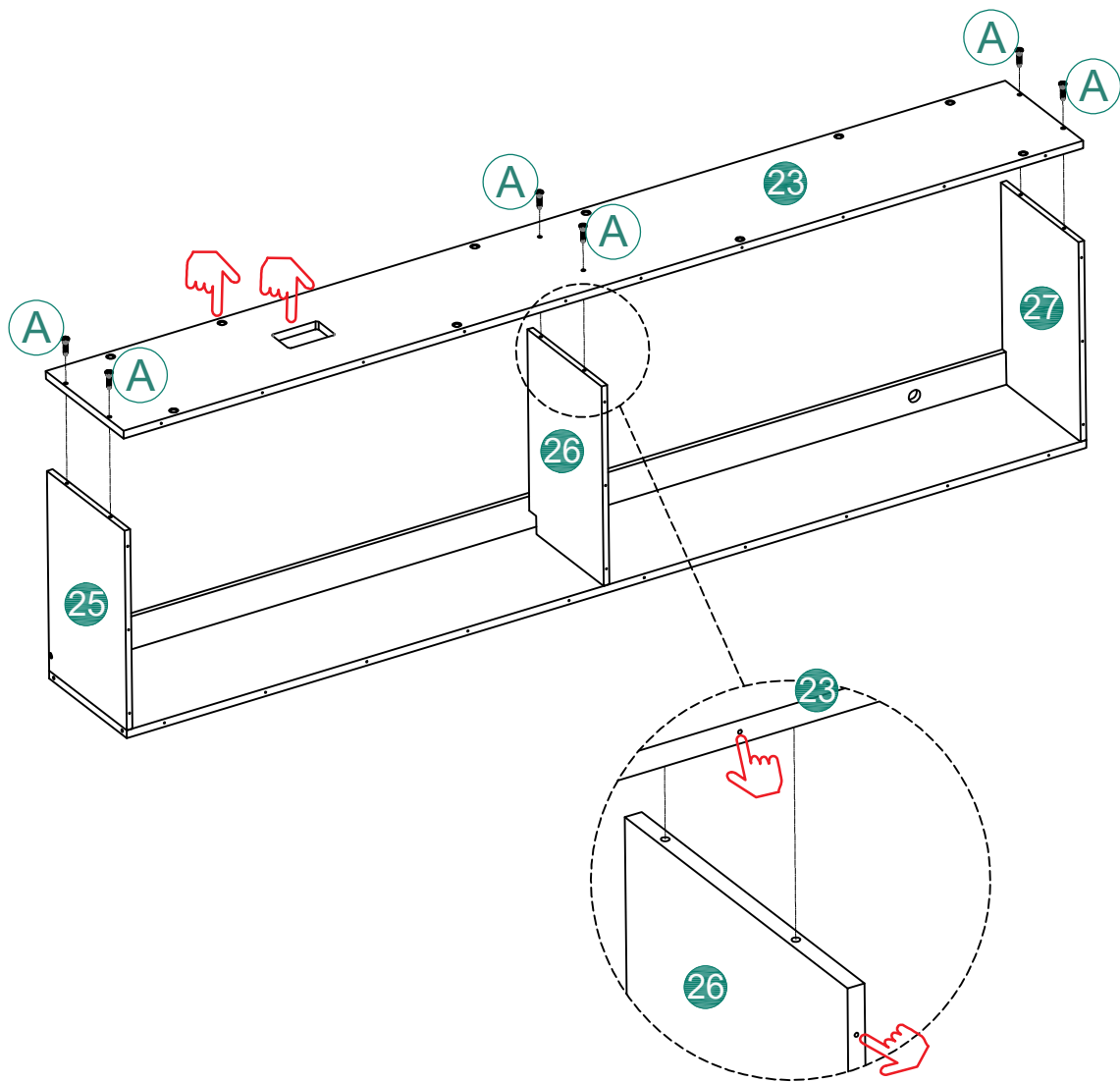
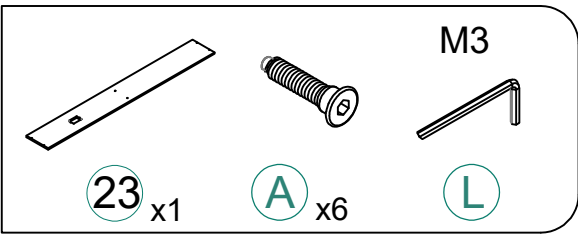
Step 2



13

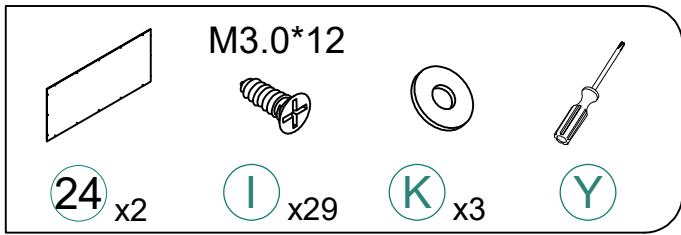


14



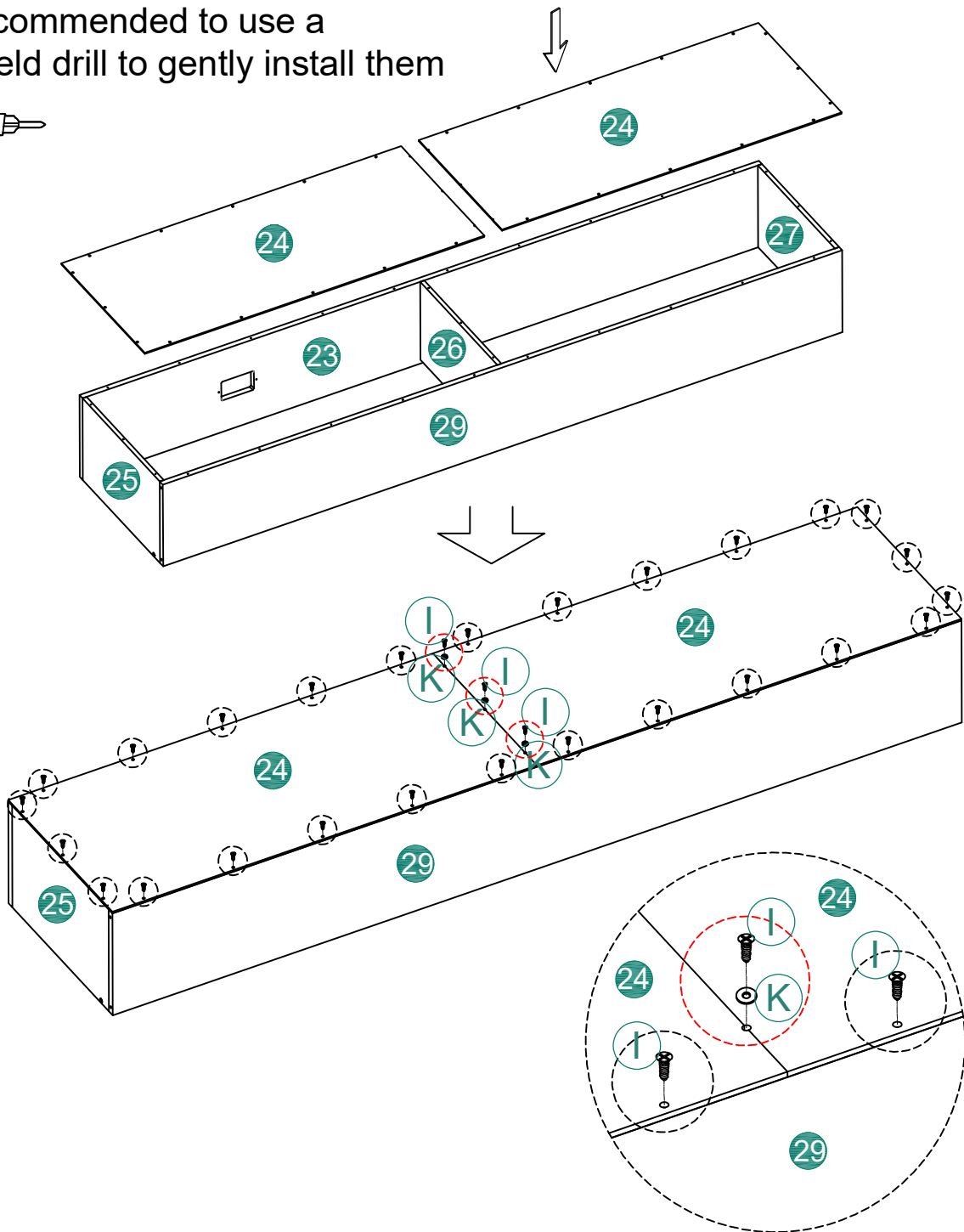
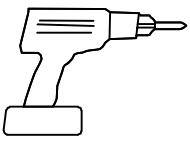
15

M3.0*12

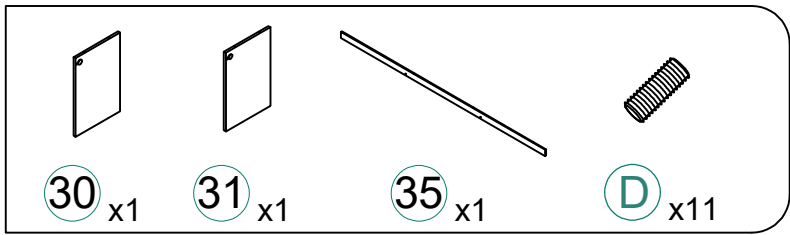


24 x2 I x29 K x3 Y

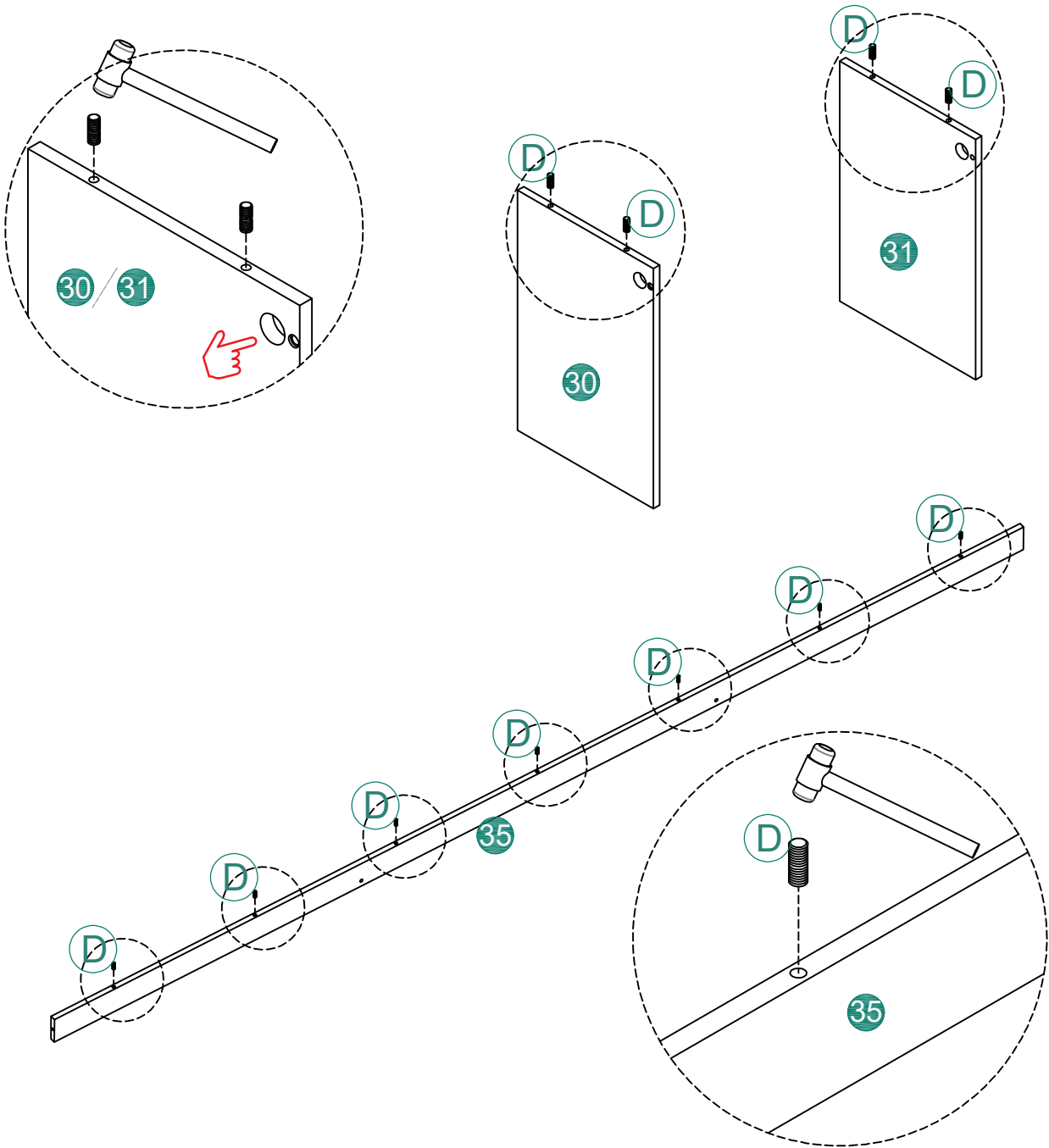
There are quite a few screws,
it is recommended to use a
handheld drill to gently install them



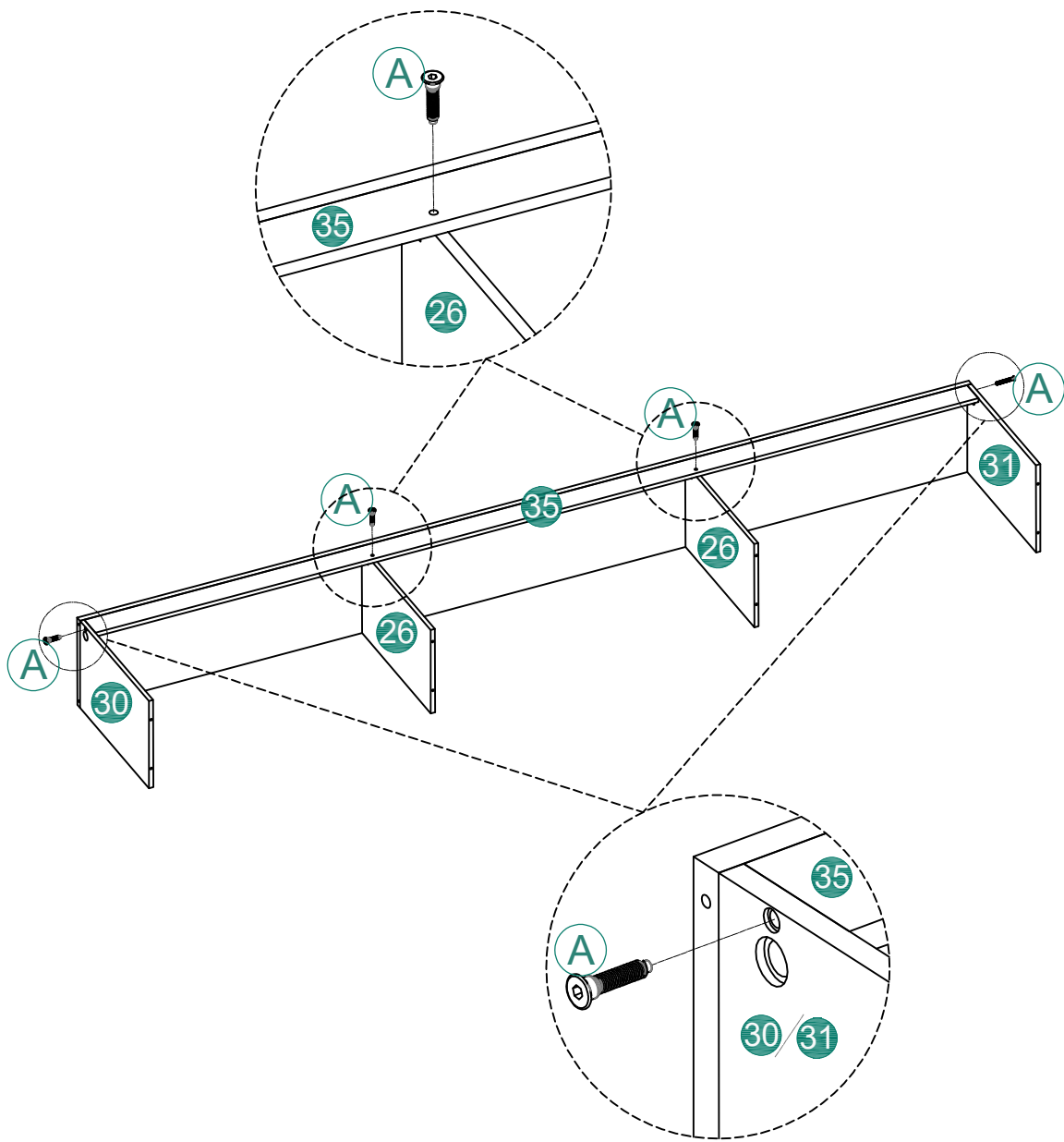
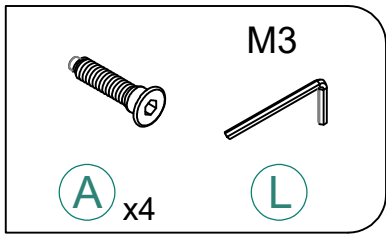
16



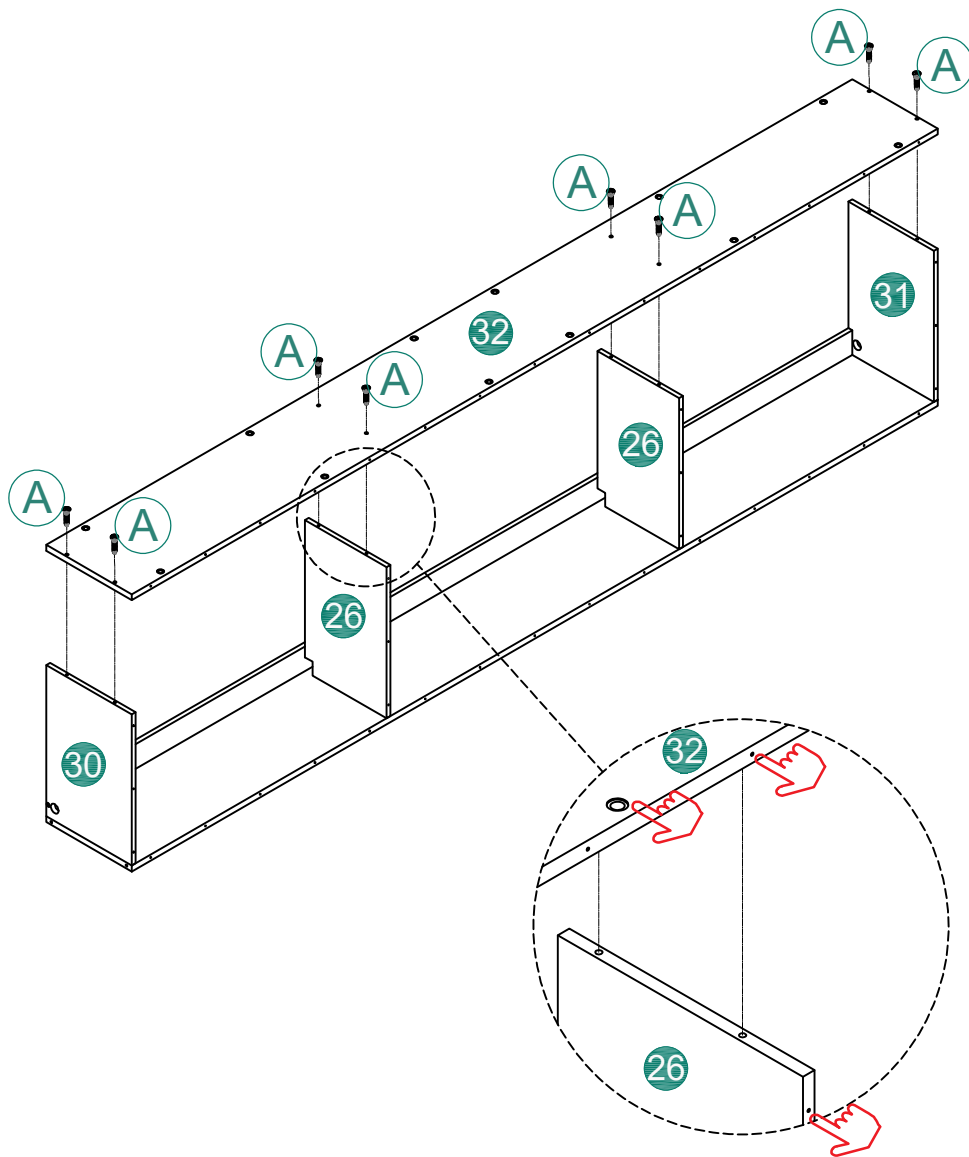
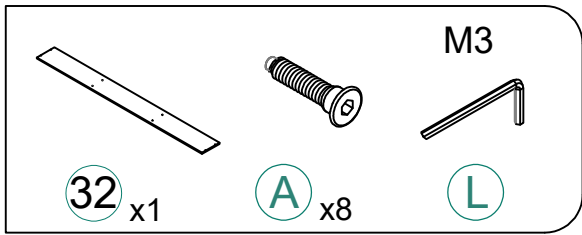
Tap gently with a rubber hammer, be careful not to hurt your fingers



18



19

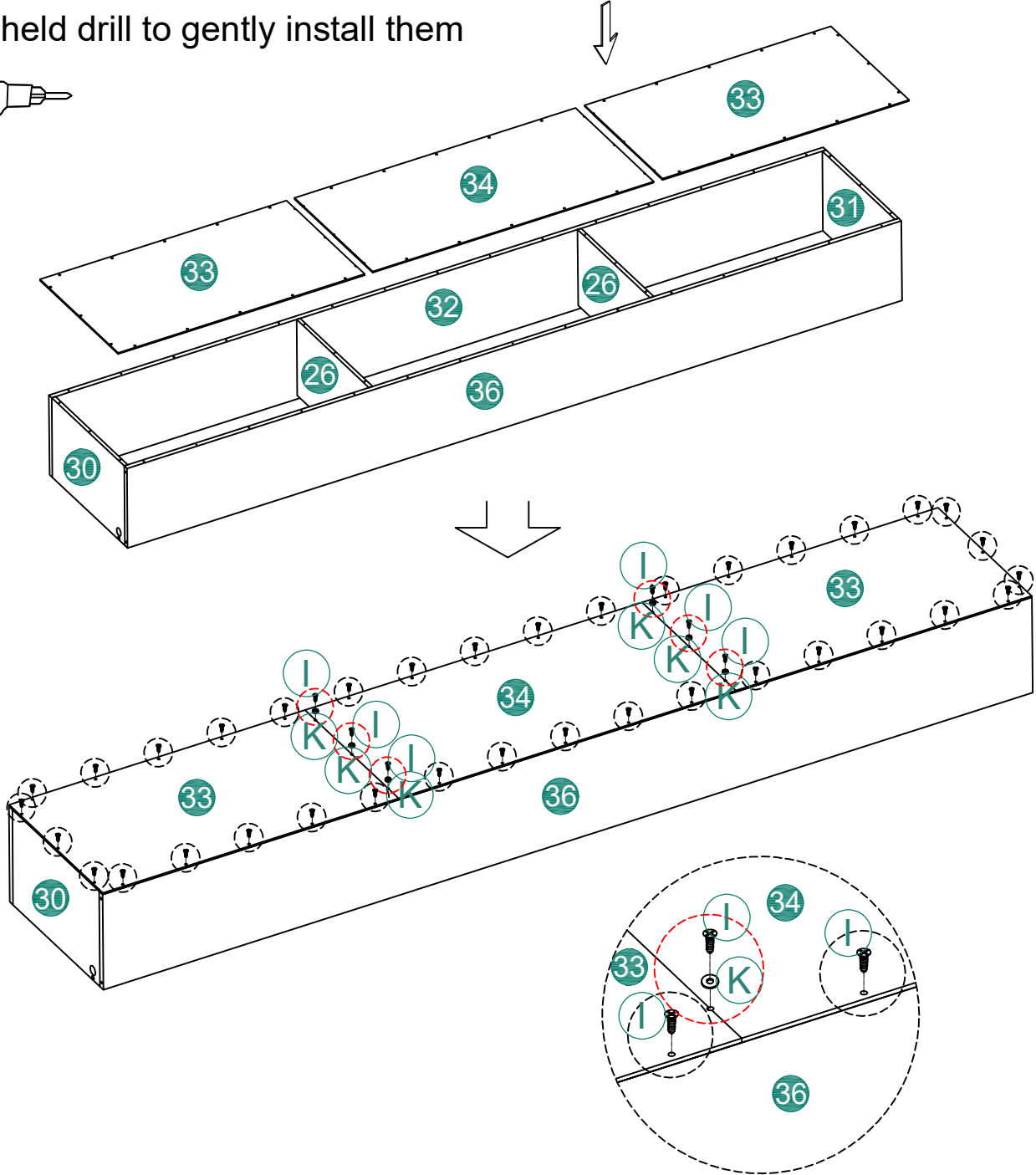
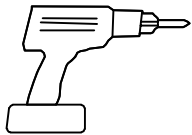


20

M3.0*12

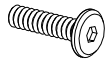
- 33 x2
- 34 x1
- I x42
- K x6
- Y

There are quite a few screws,
it is recommended to use a
handheld drill to gently install them



21

M6*30

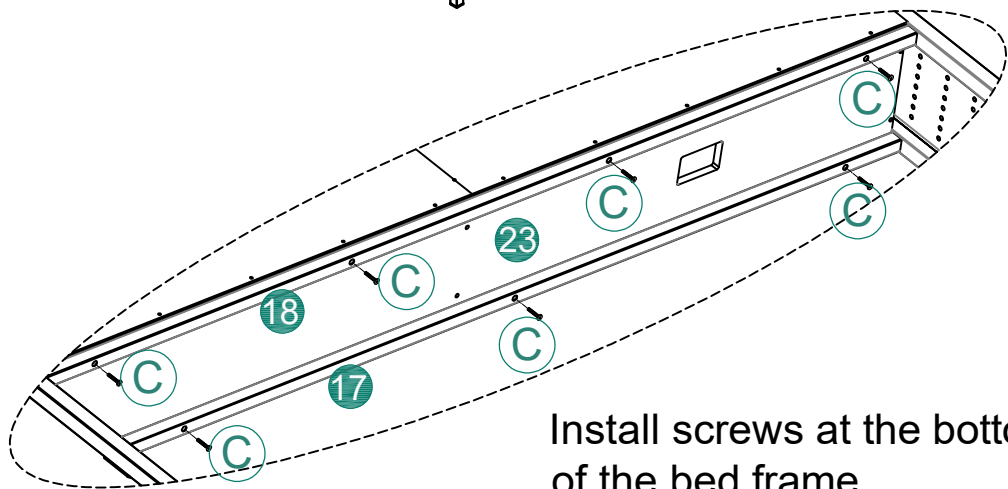
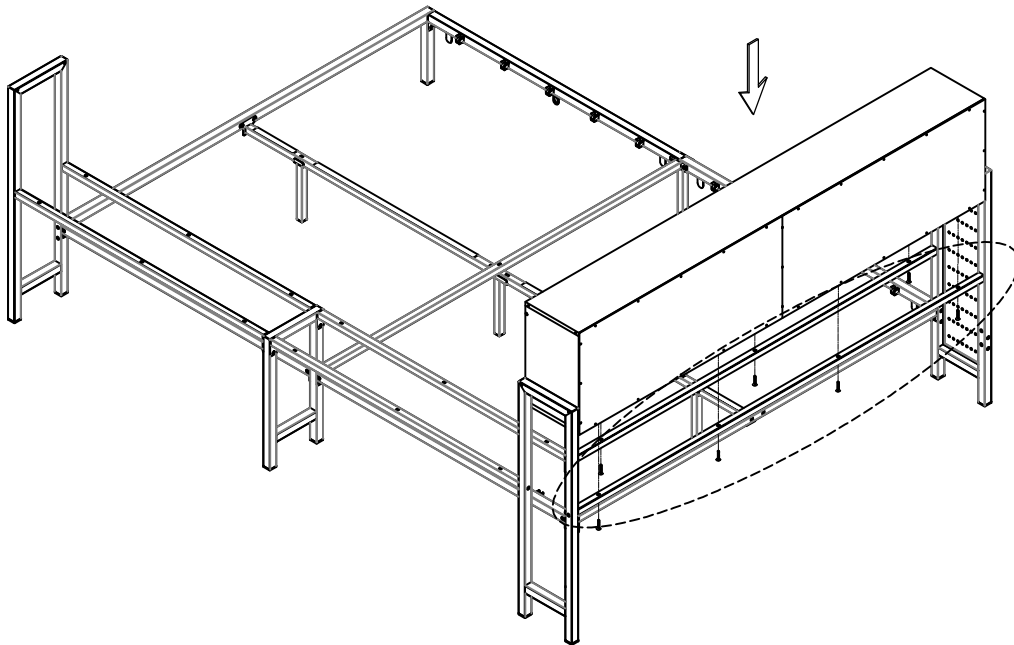


(C) x7

M4



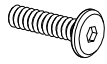
(O)



Install screws at the bottom of the bed frame

22

M6*30

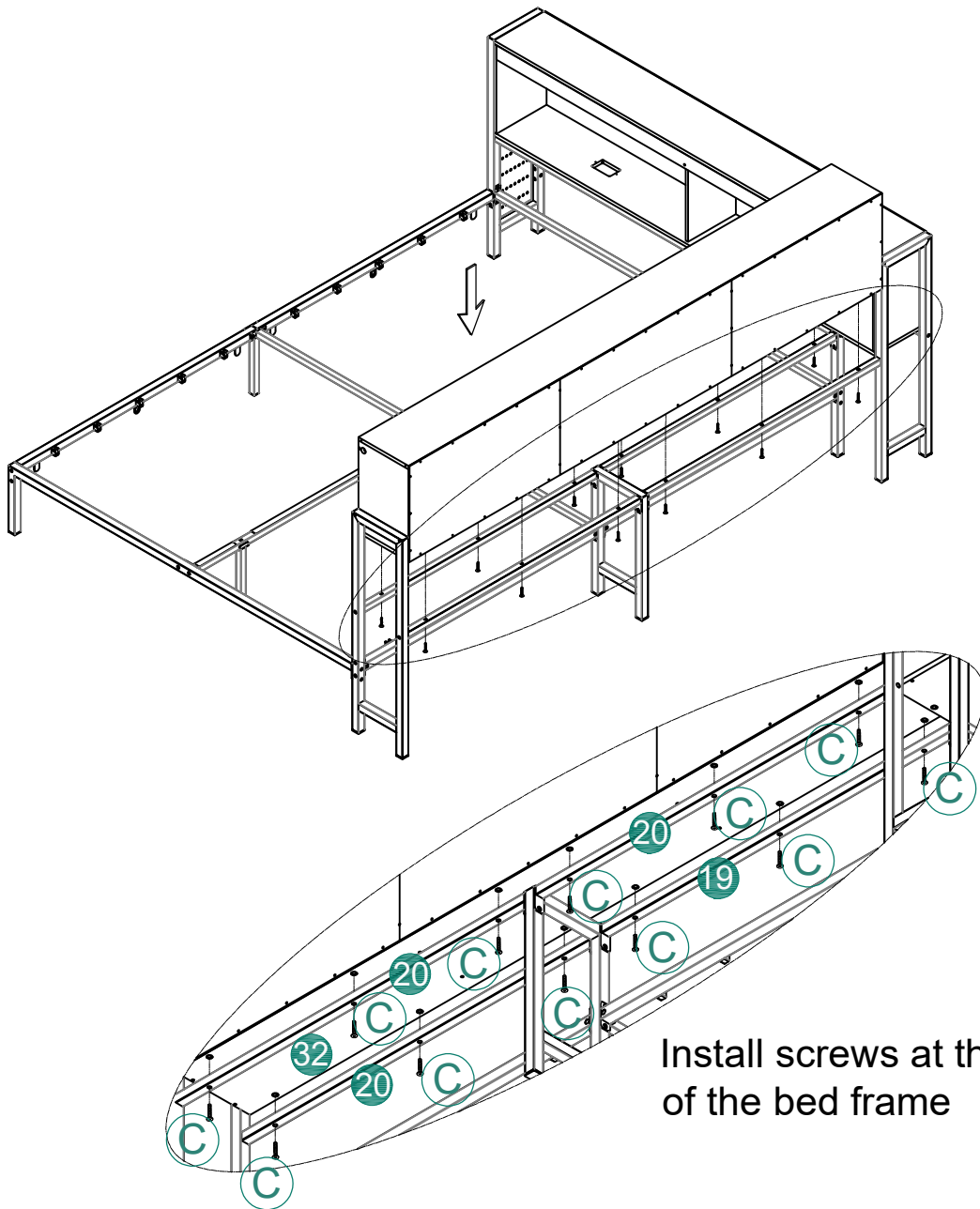


(C) x12

M4

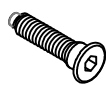


(O)



Install screws at the bottom of the bed frame

23

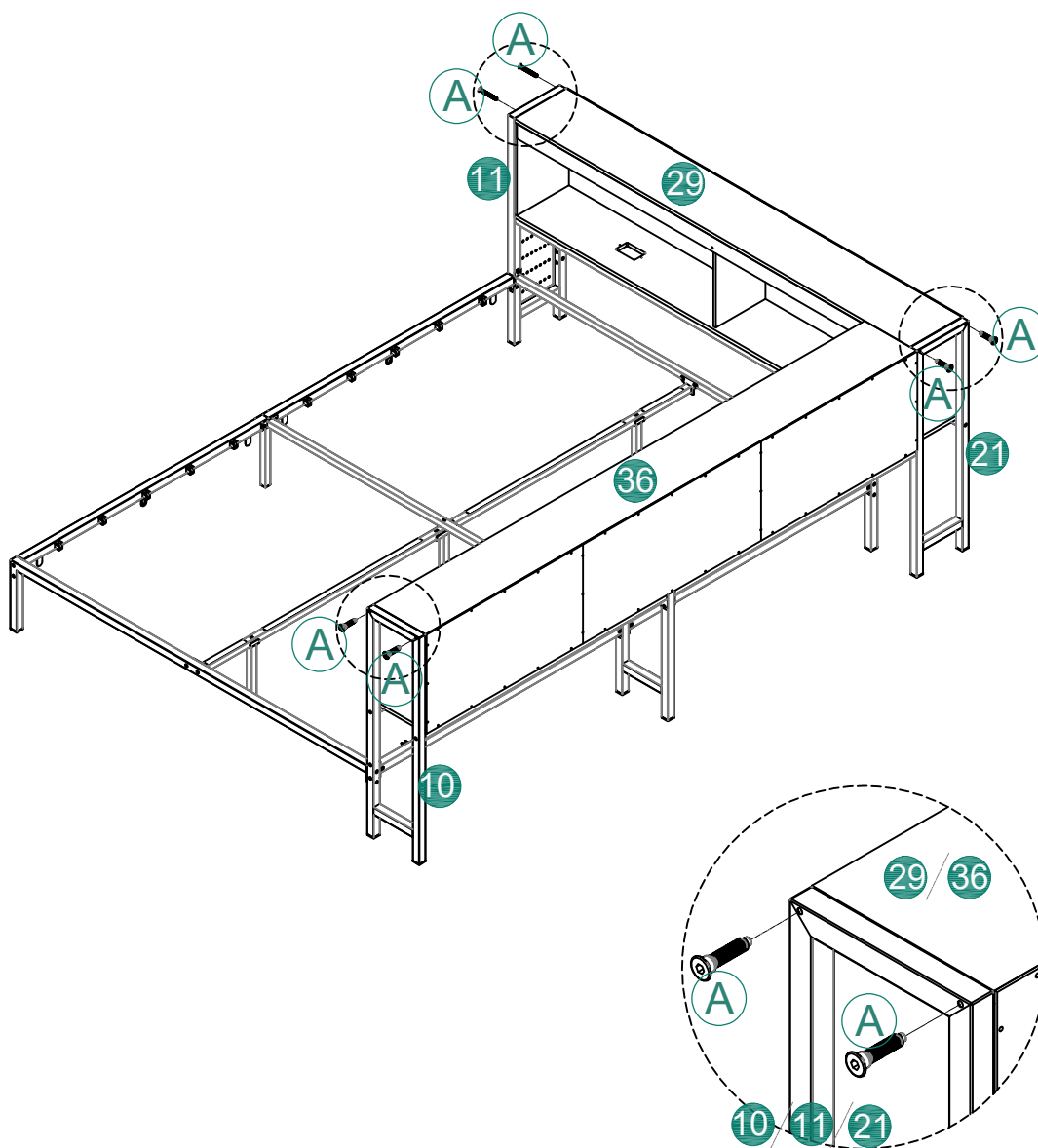


M3

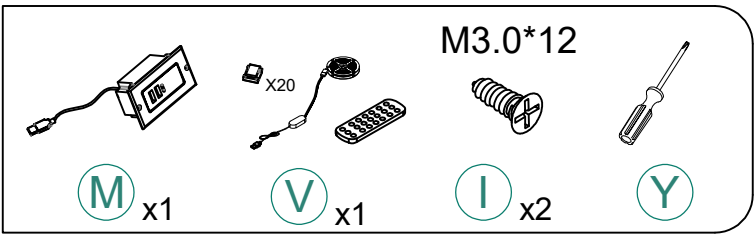


A x6

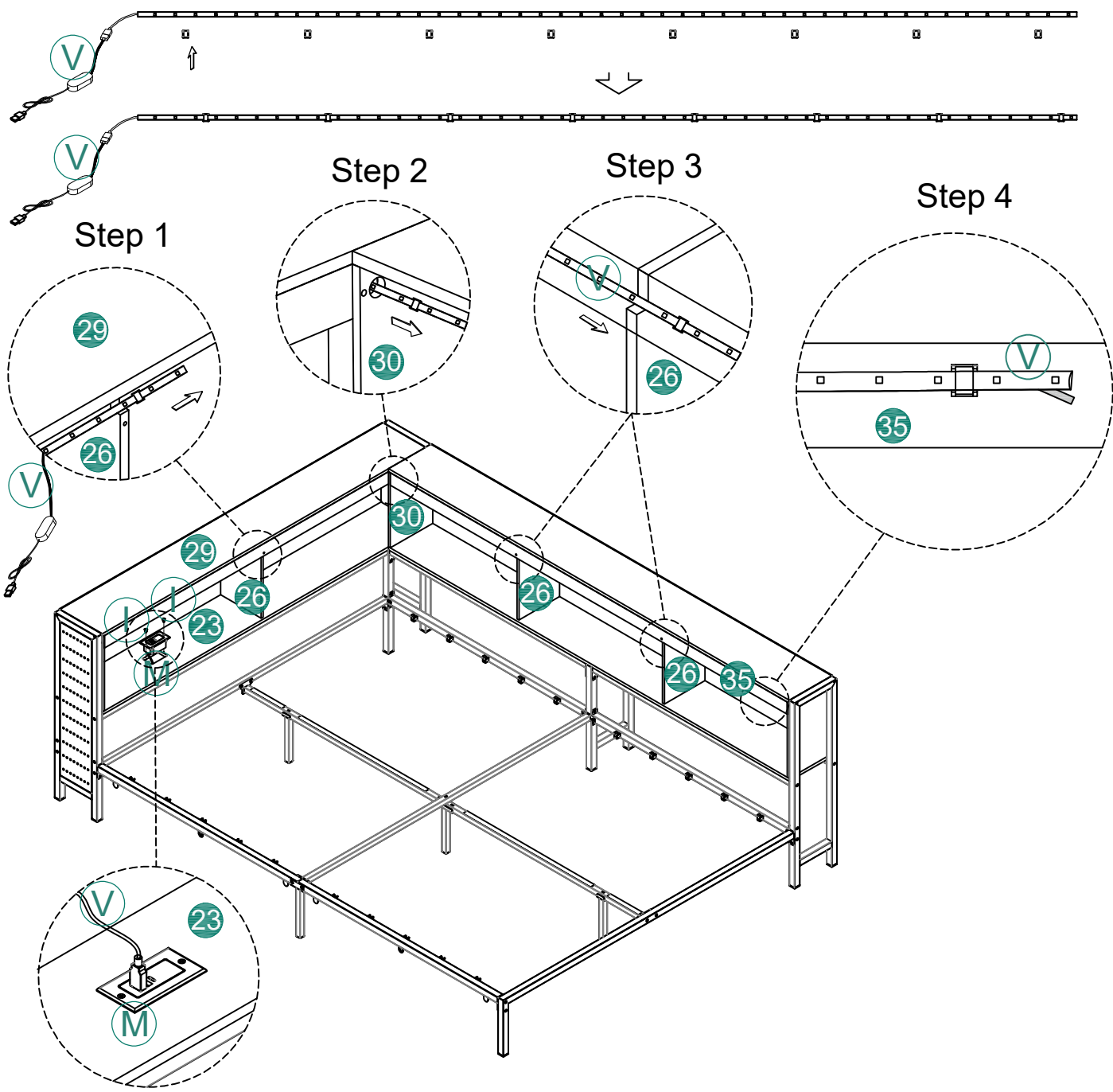
L



24



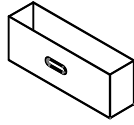
The LED light strip is first fixed with a plastic hook, inserted into the hole of the bed frame, and then the adhesive backing is peeled off and pasted.



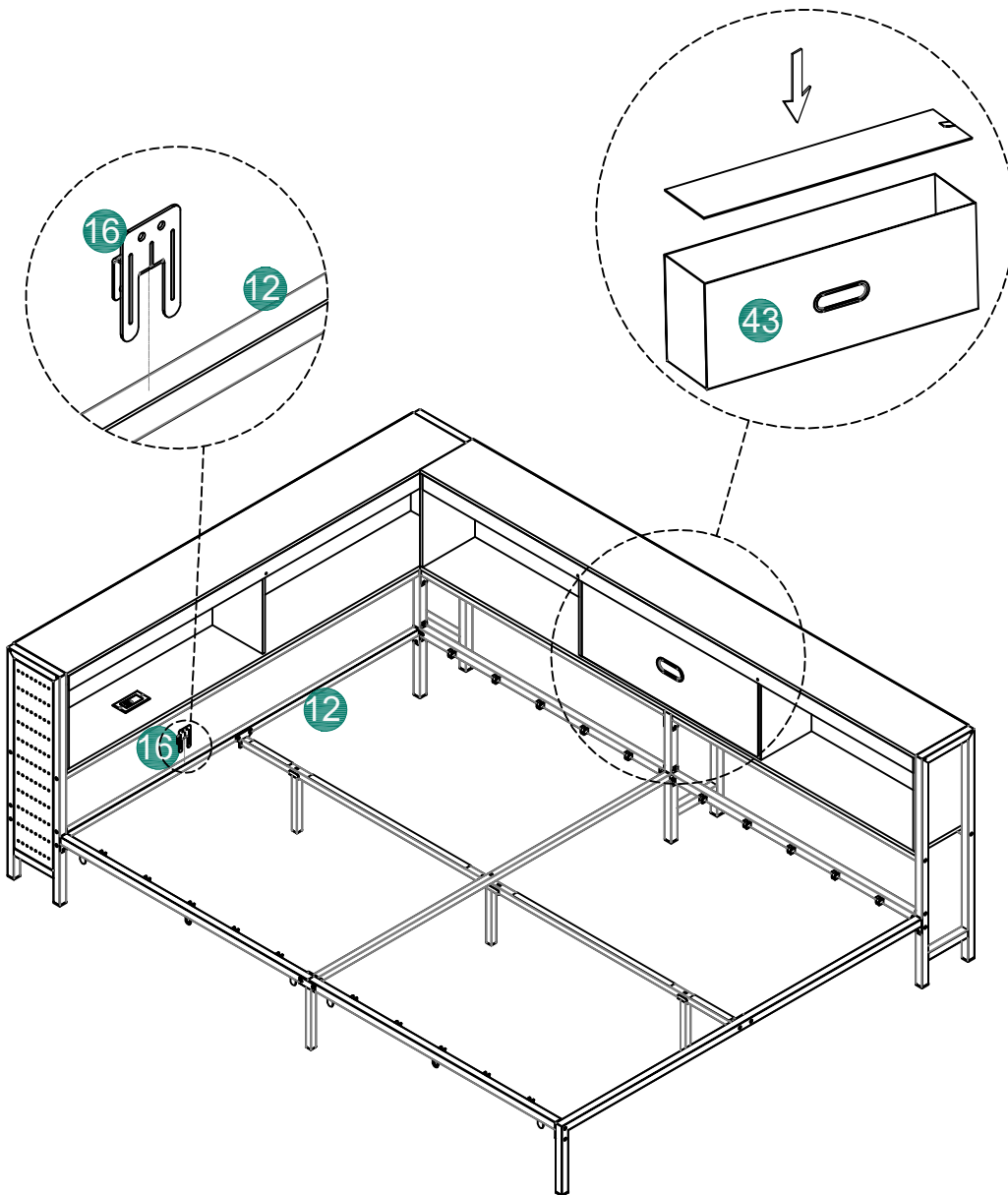
25



16 x1



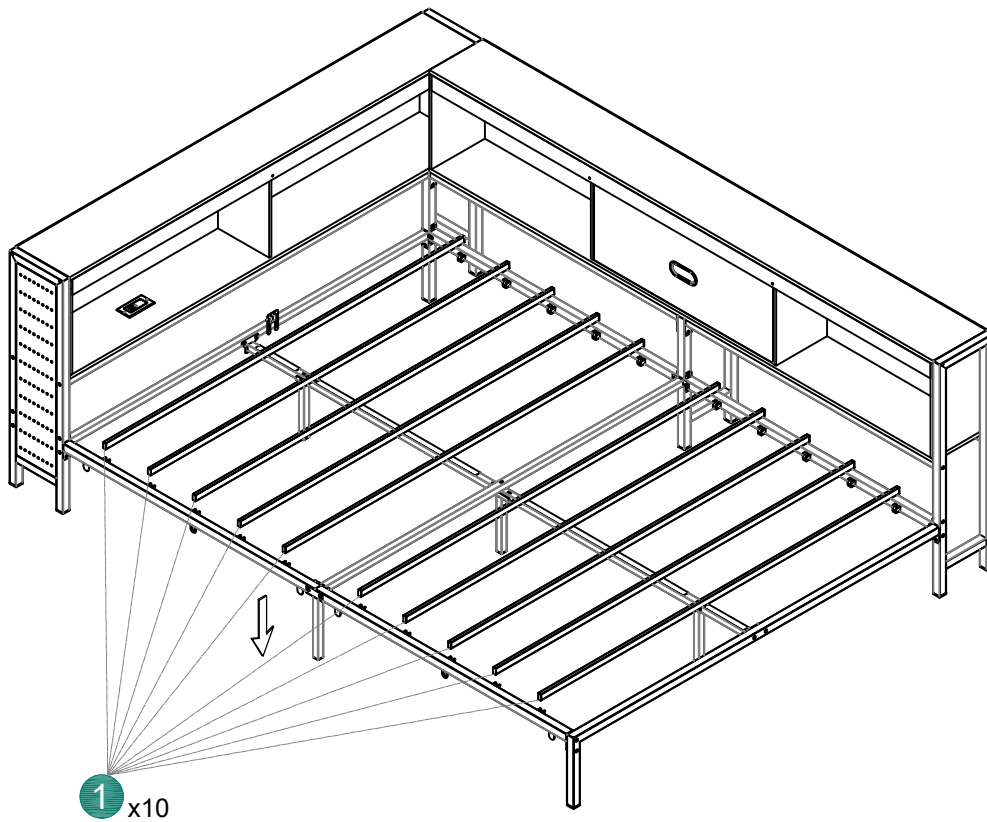
43 x1



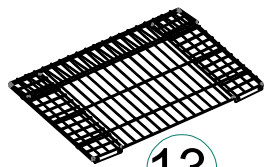
26



1 x10



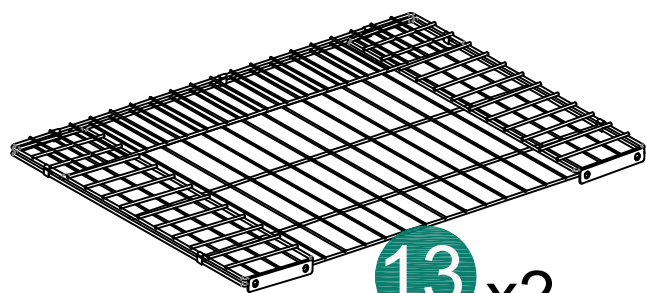
27



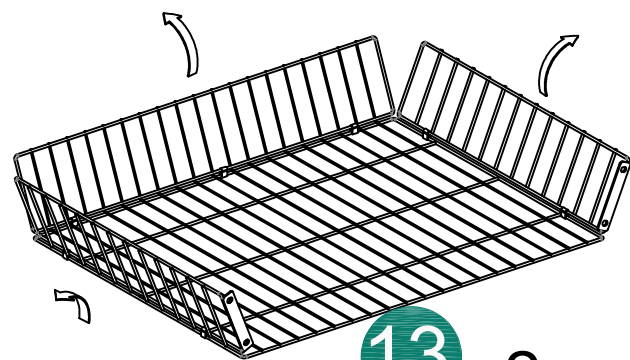
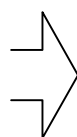
13 x2



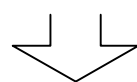
Q x4



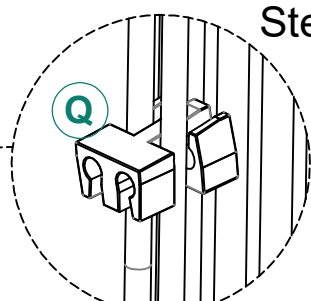
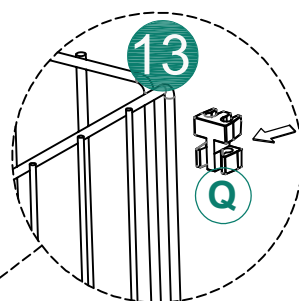
13 x2



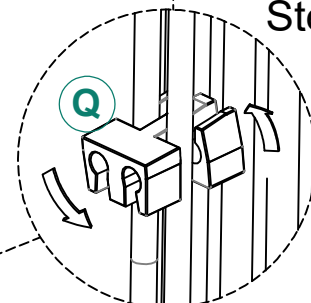
13 x2



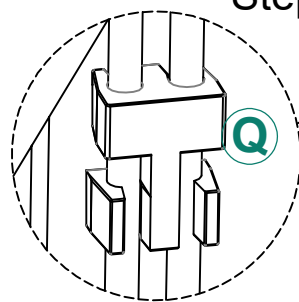
13 x2



Step 1

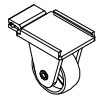


Step 2

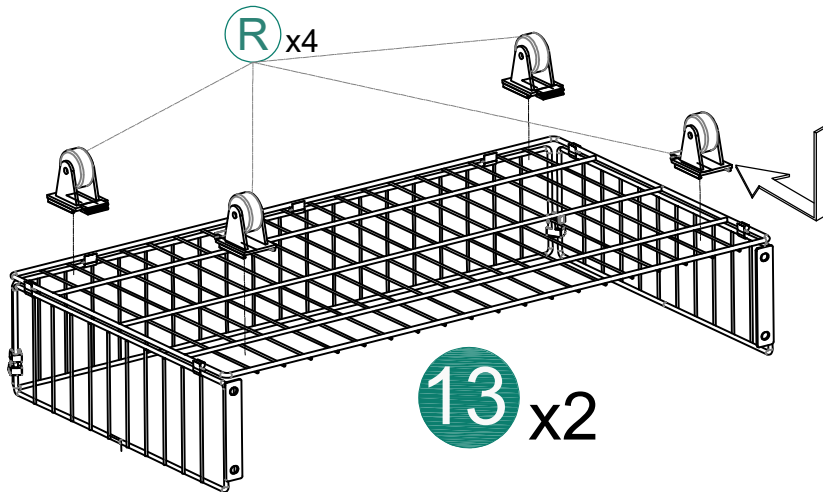


Step 3

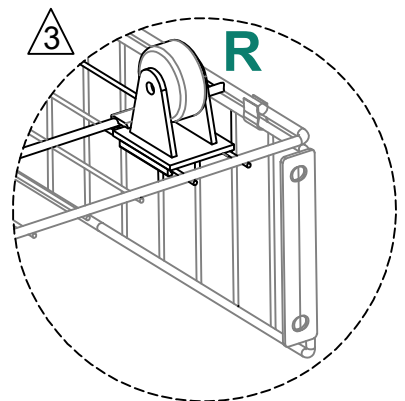
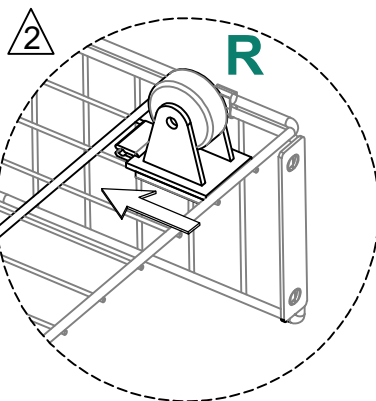
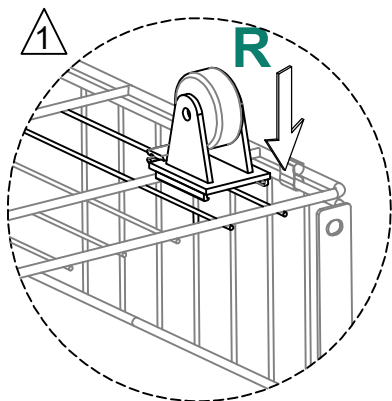
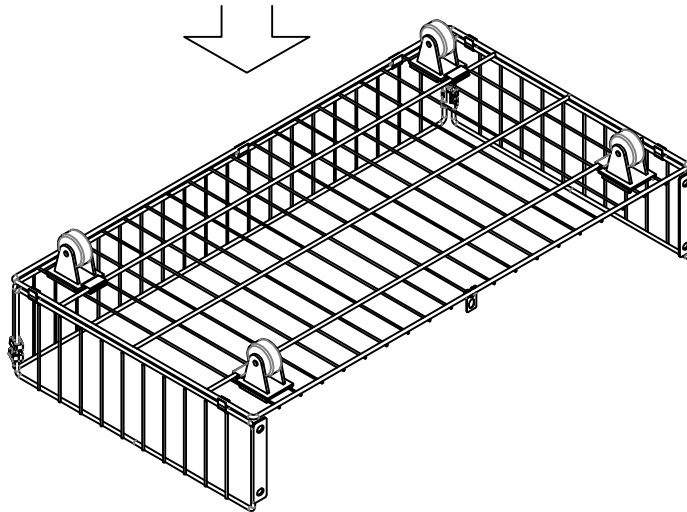
28



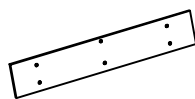
R x8



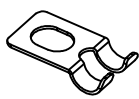
13 x2



29



41 x2



P x2

M6*10



B x10

M6*10(Ø8*5)

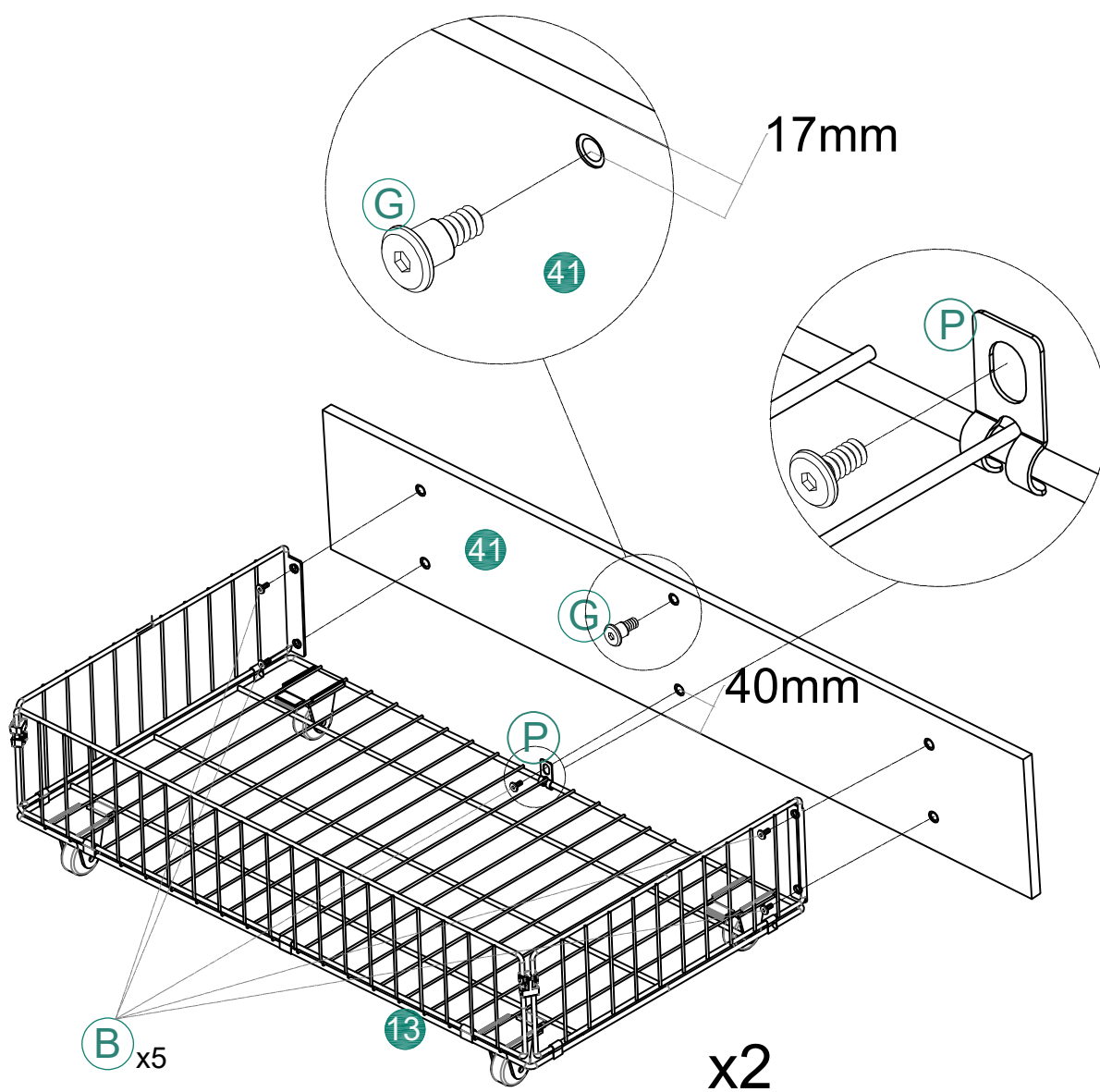


G x2

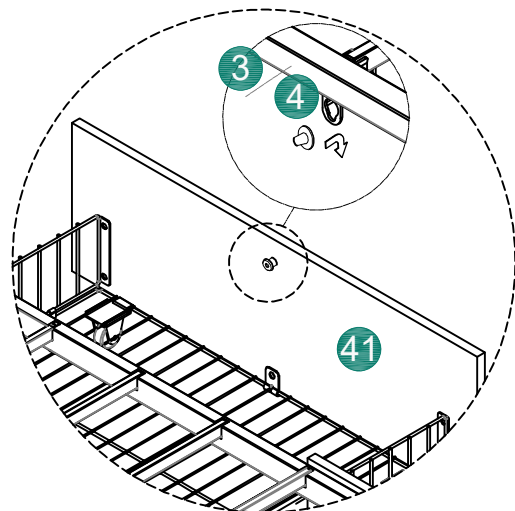
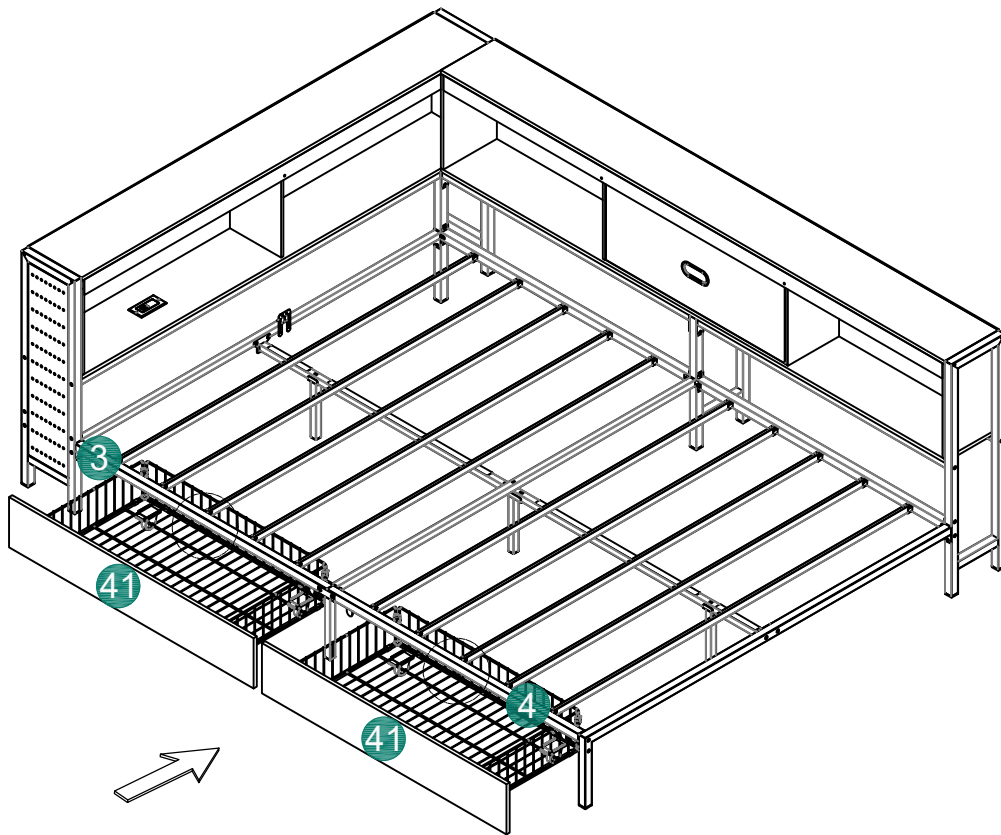
M4



O

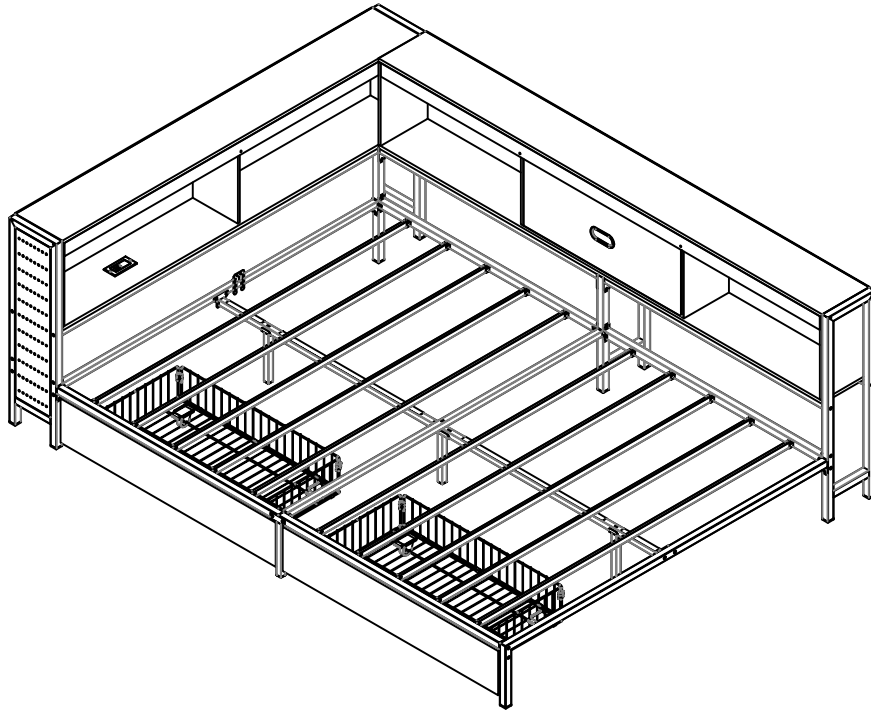


30

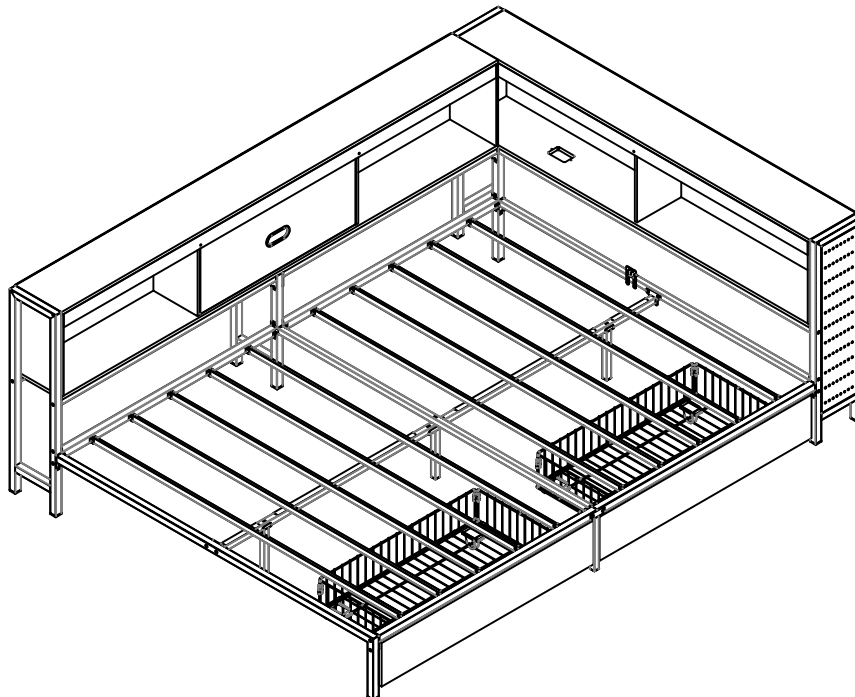


31

Installation Complete

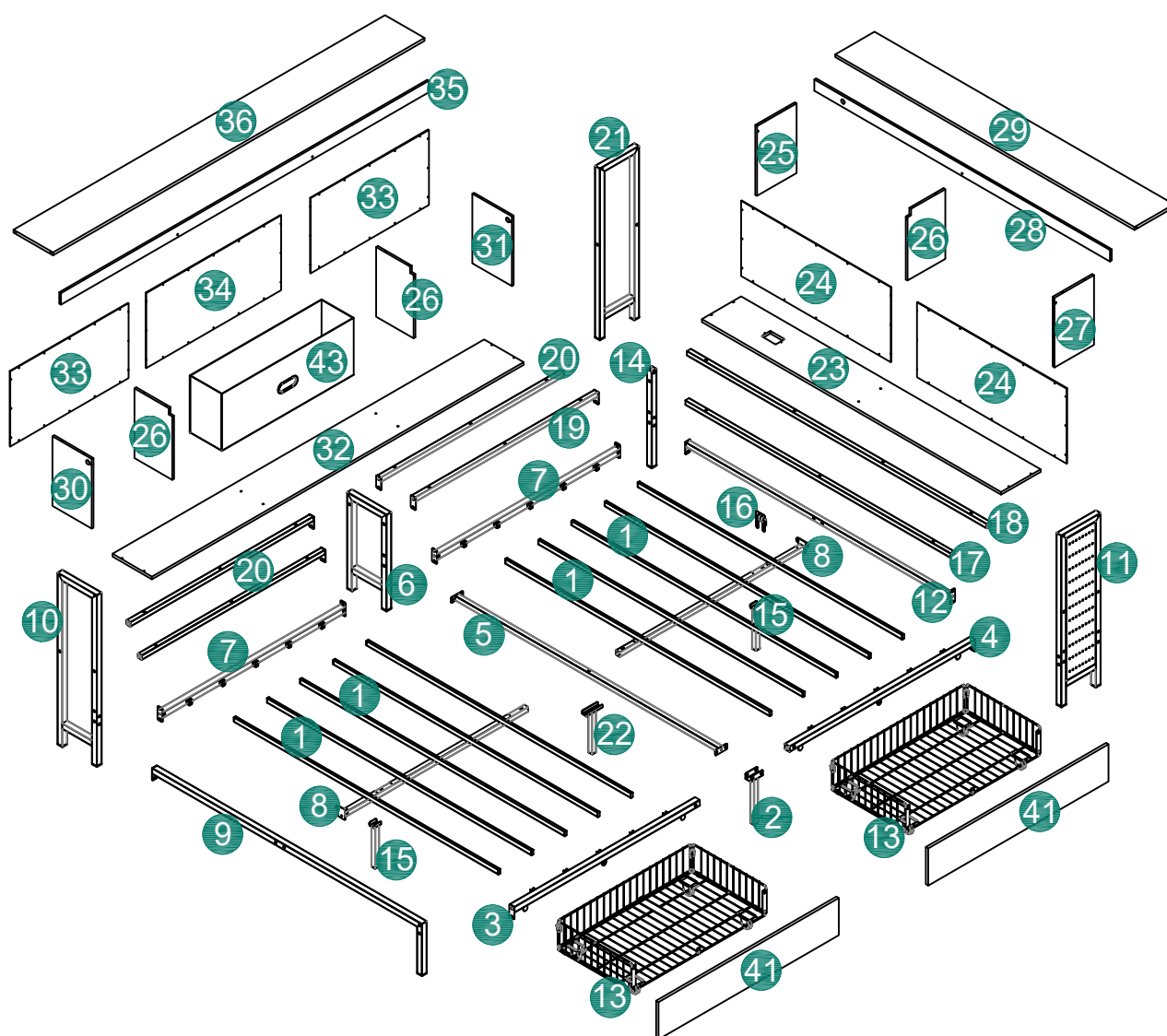


Interchangeable installation on both sides

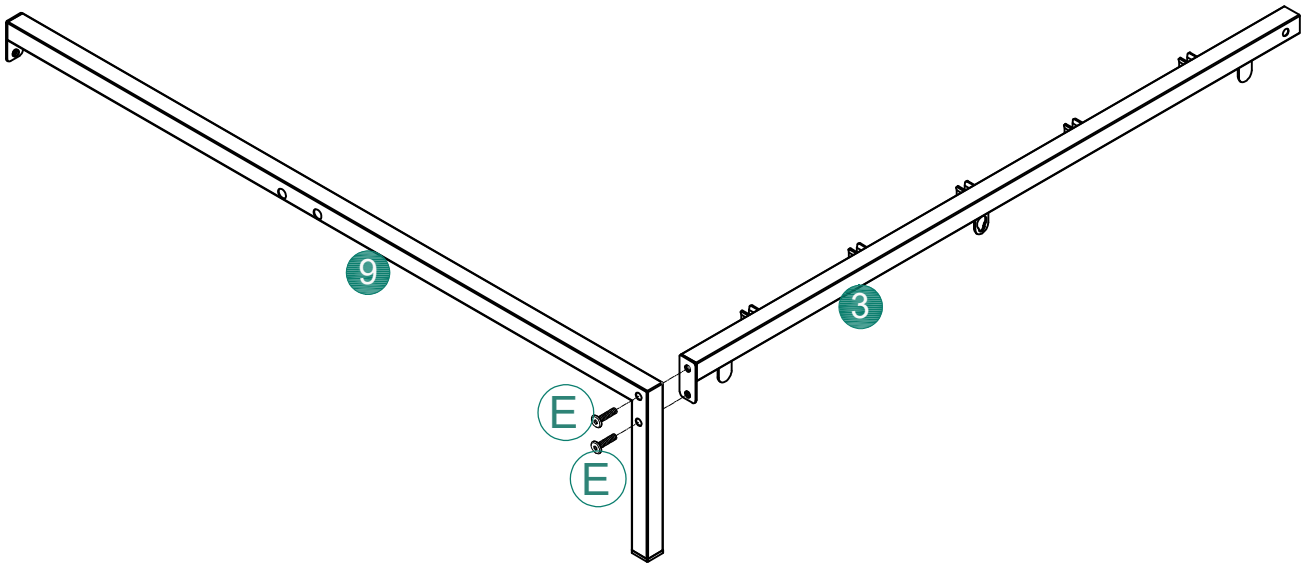
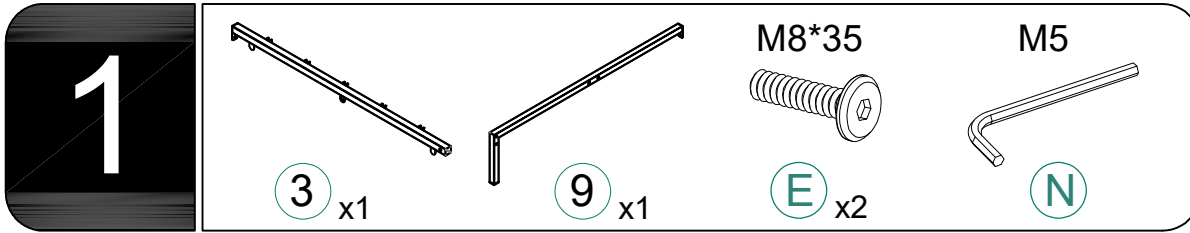


EXPLODED VIEW

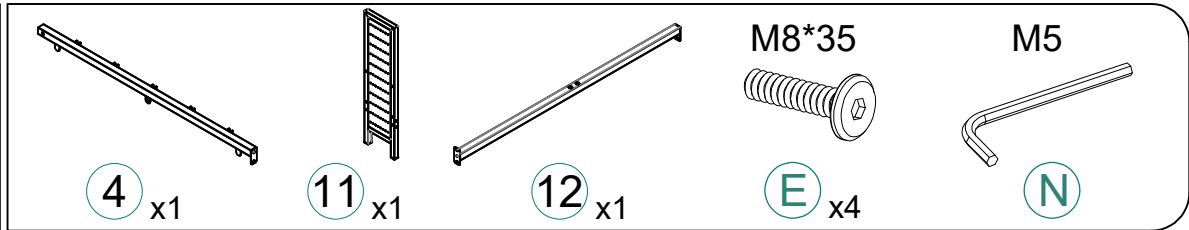
Left side installation



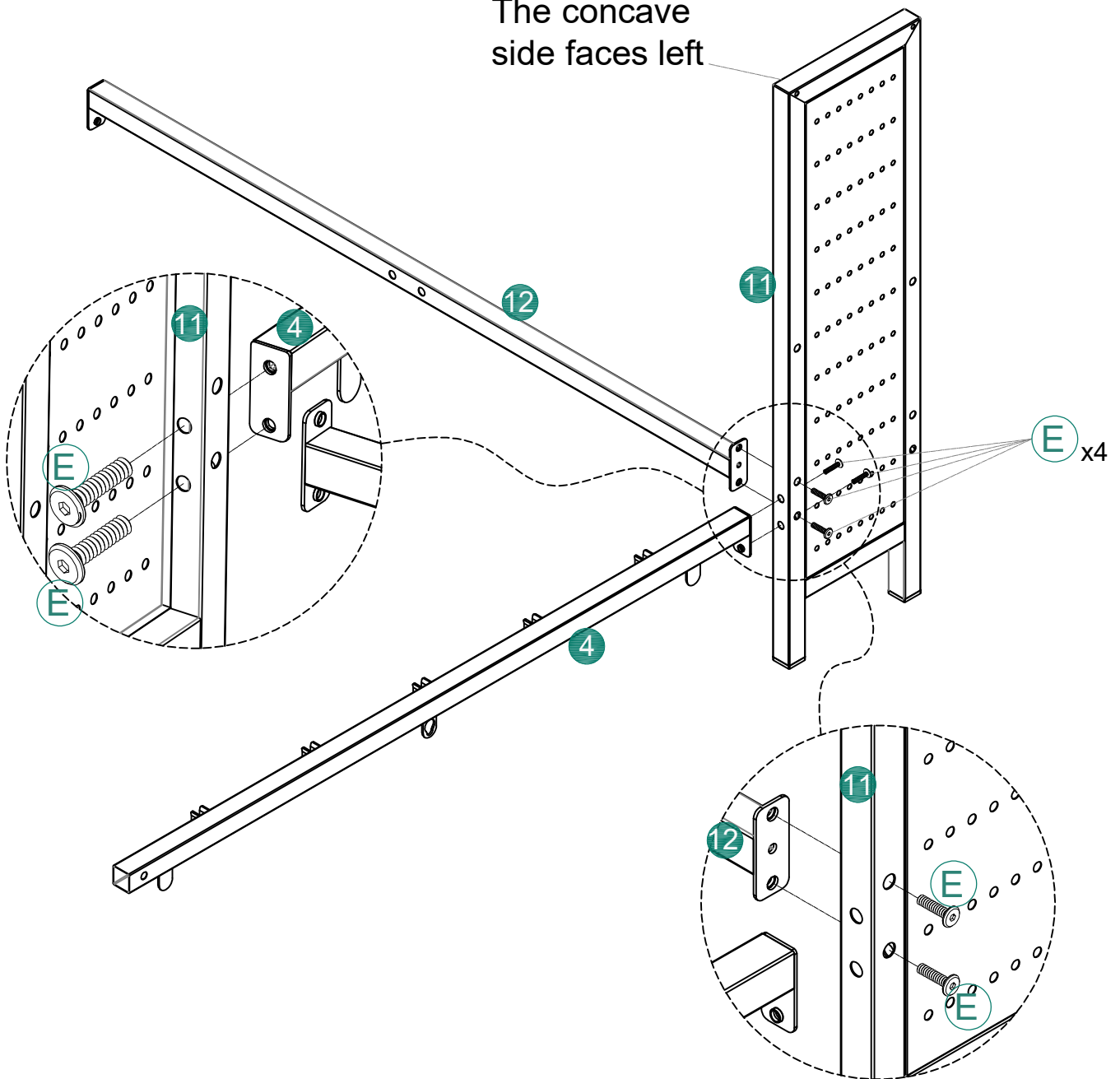
ASSEMBLY



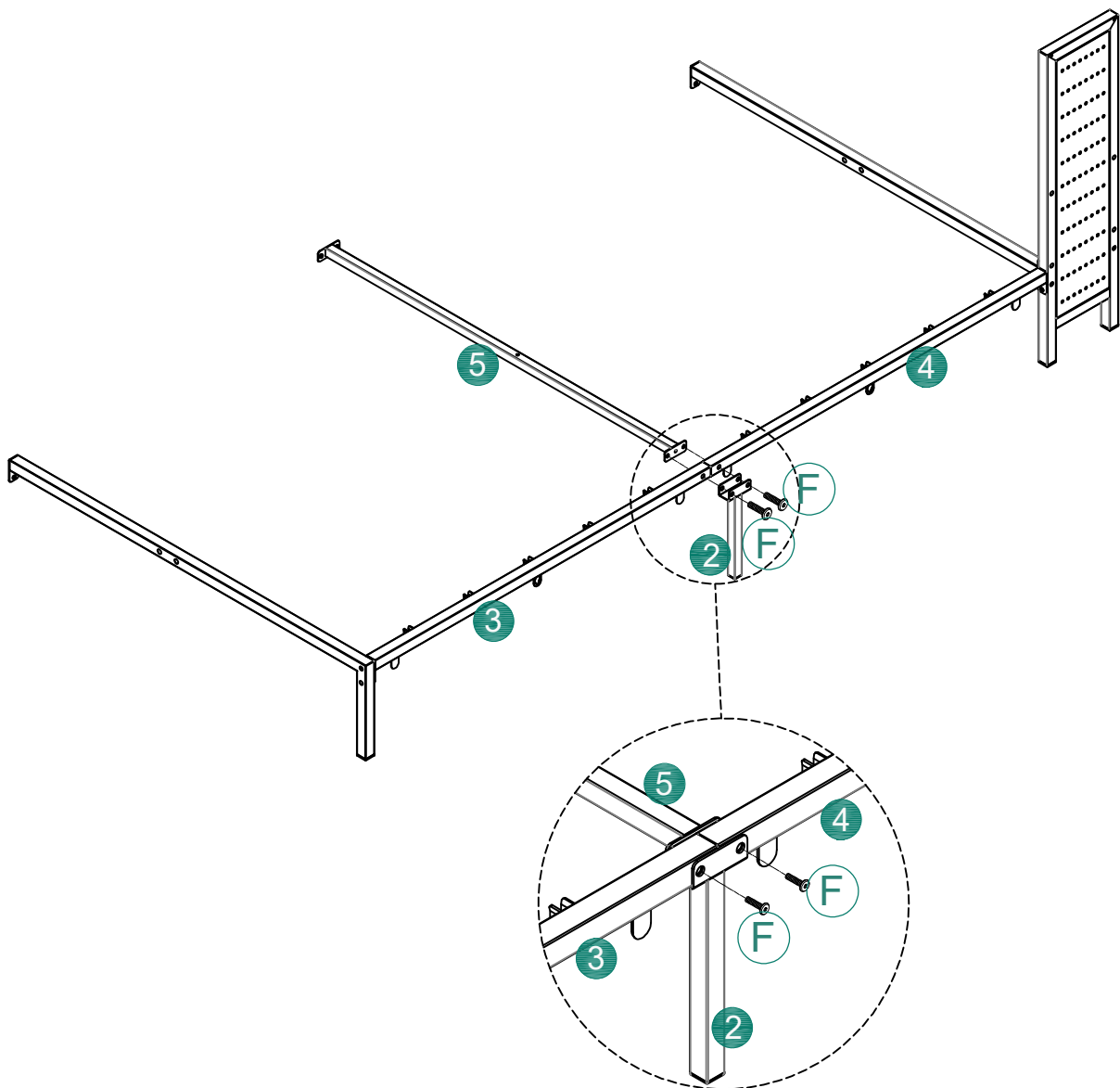
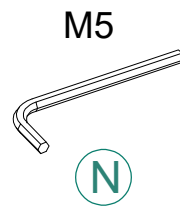
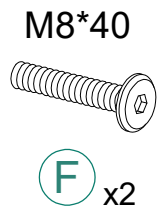
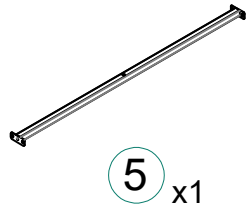
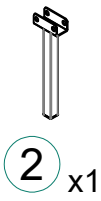
2



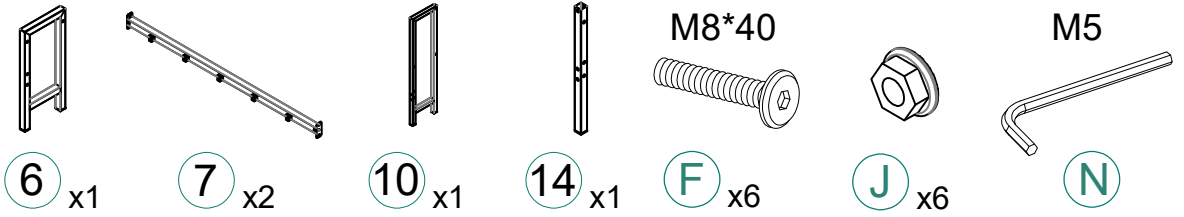
The concave side faces left



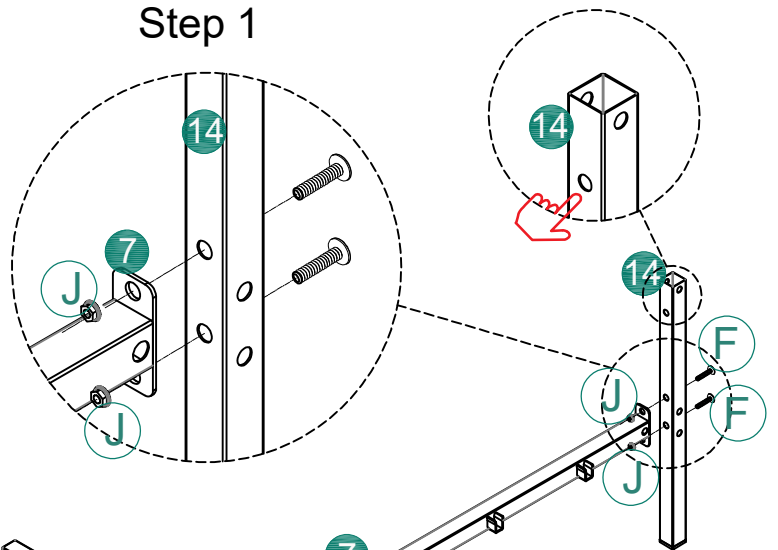
3



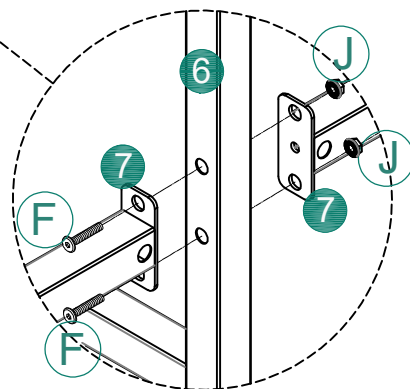
4



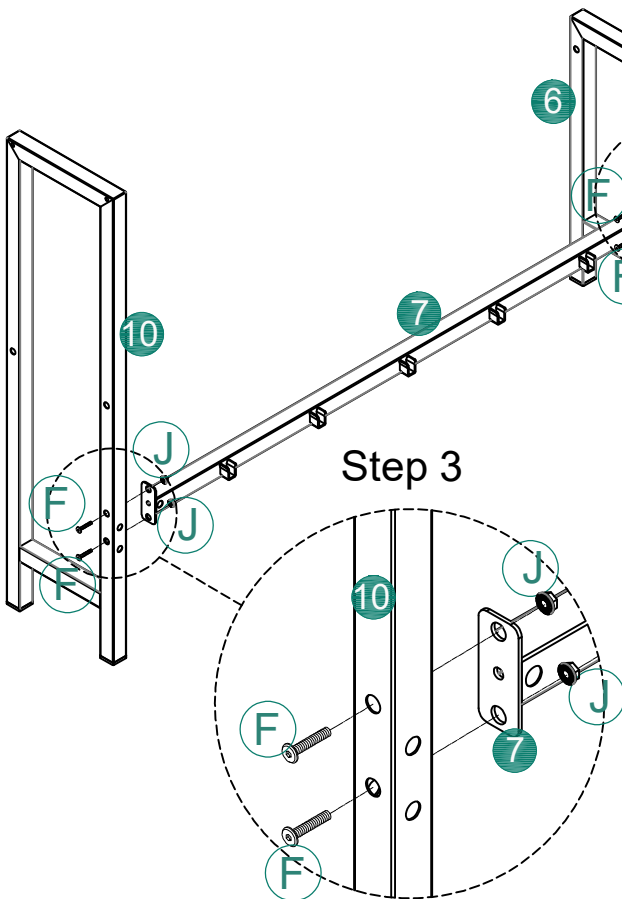
Step 1



Step 2



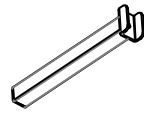
Step 3



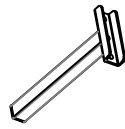
6



8 x2



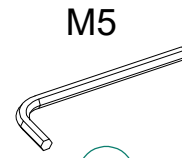
15 x2



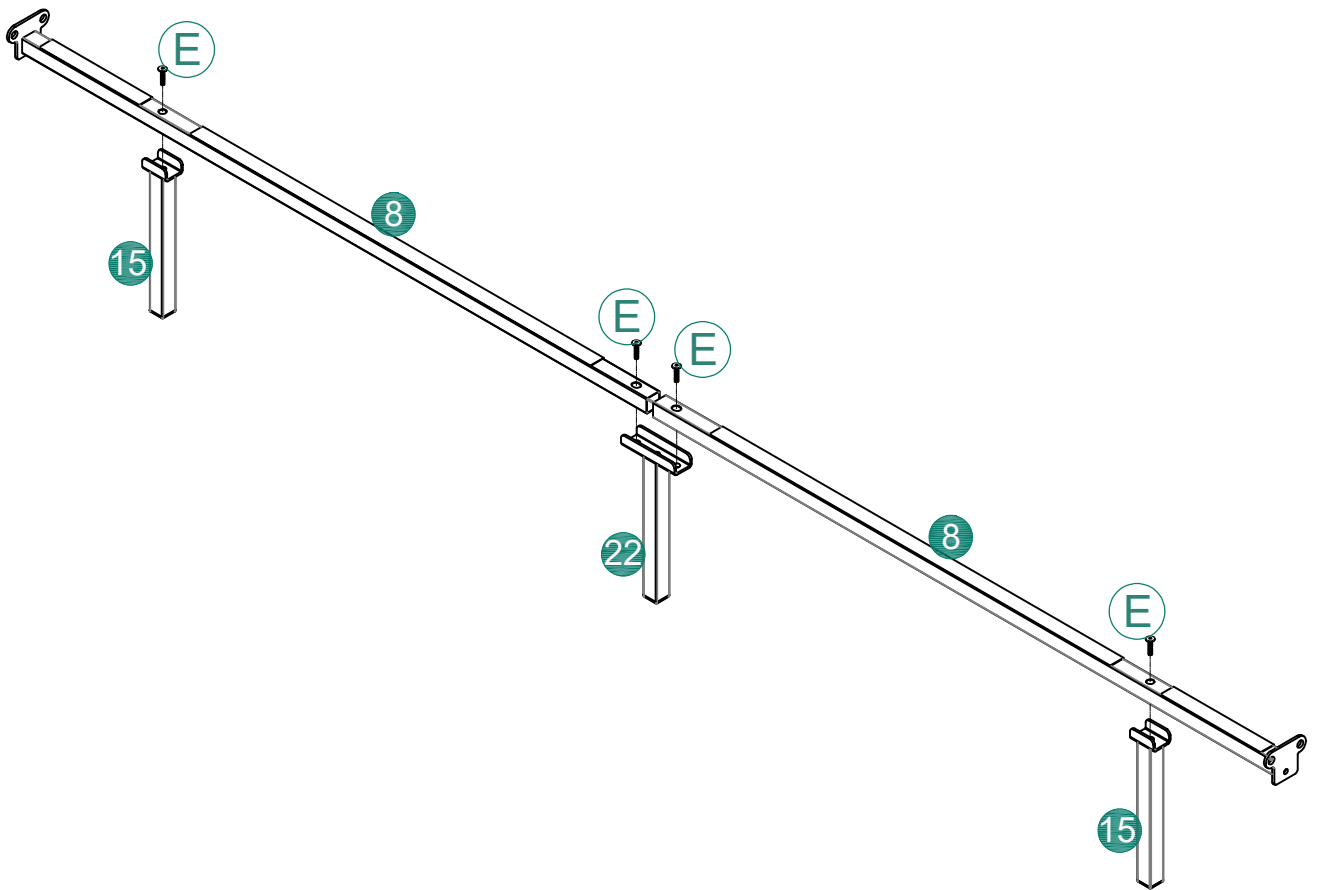
22 x1



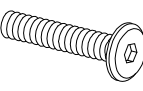
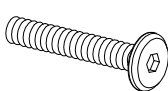

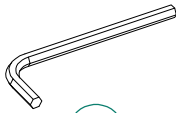
M8*35
E x4

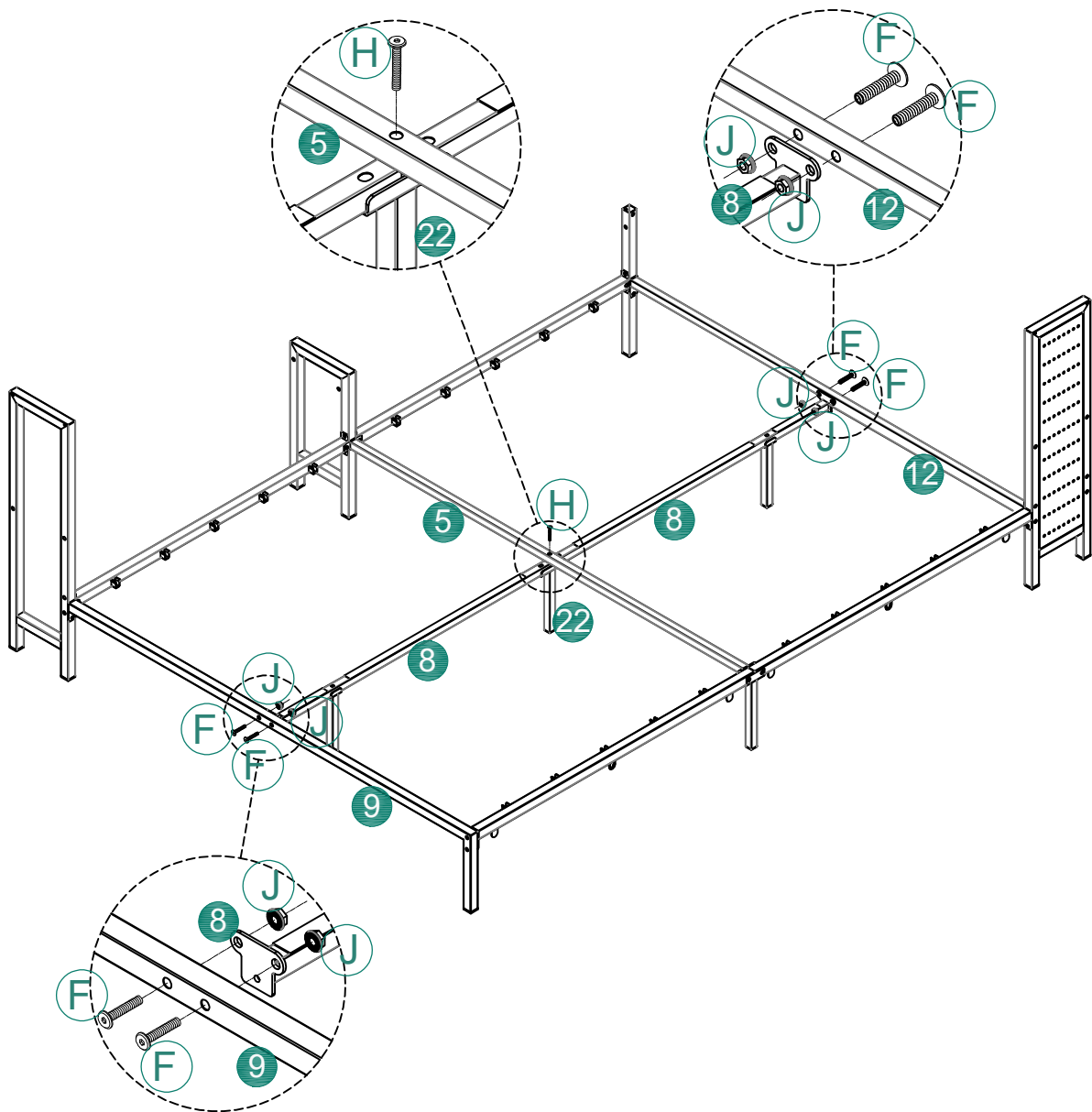


M5
N

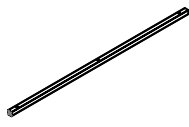


7

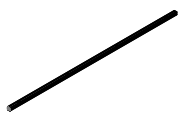
M8*40	M8*50		M5
			
(F) x4	(H) x1	(J) x4	(N)



8



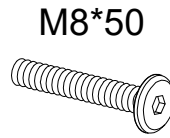
17 x1



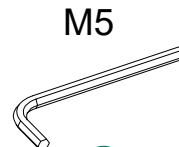
18 x1



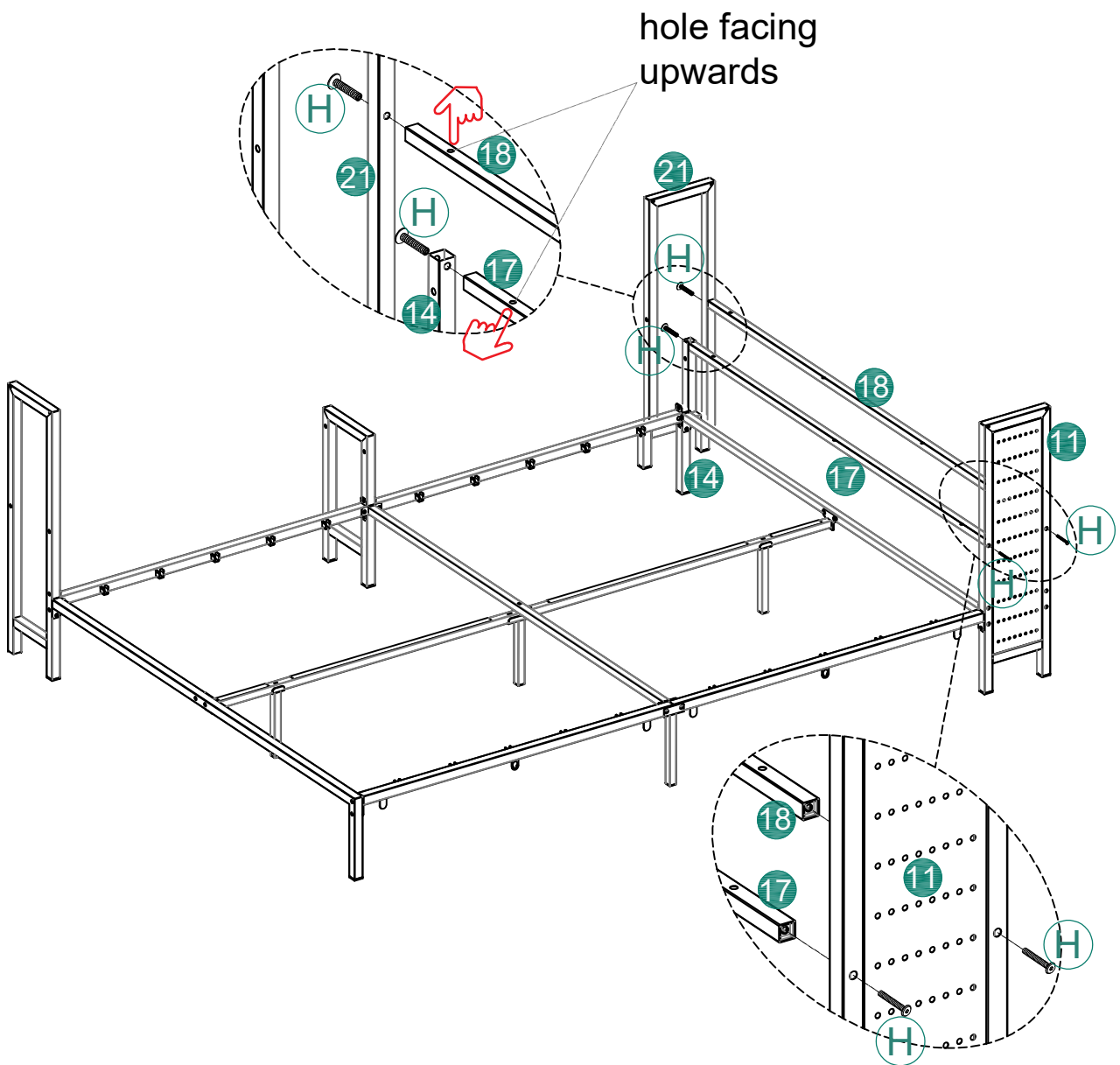
21 x1





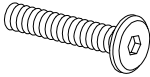
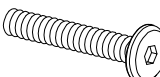


H x4

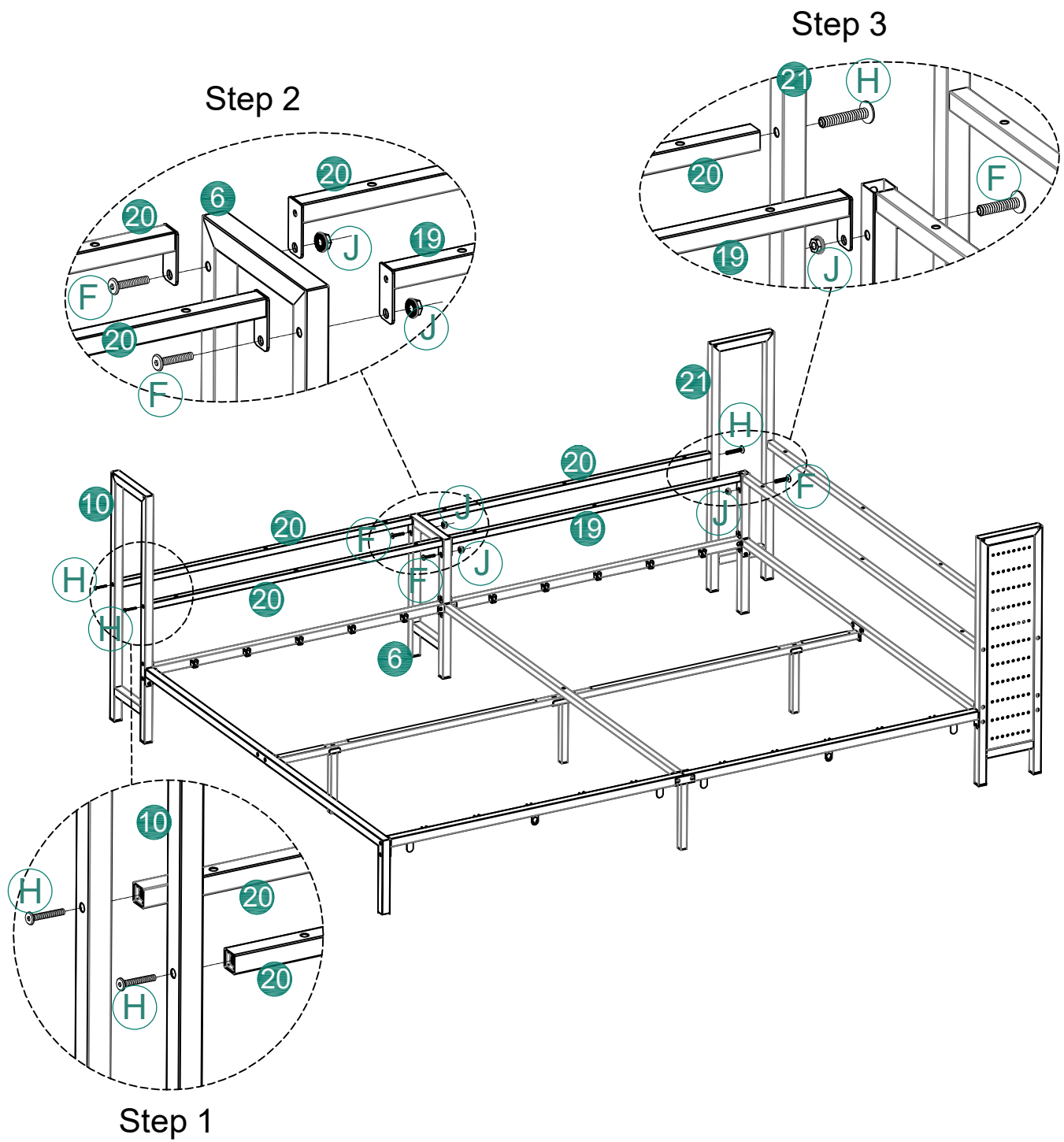


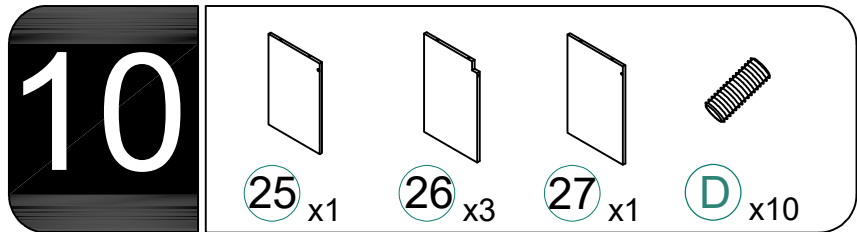
N



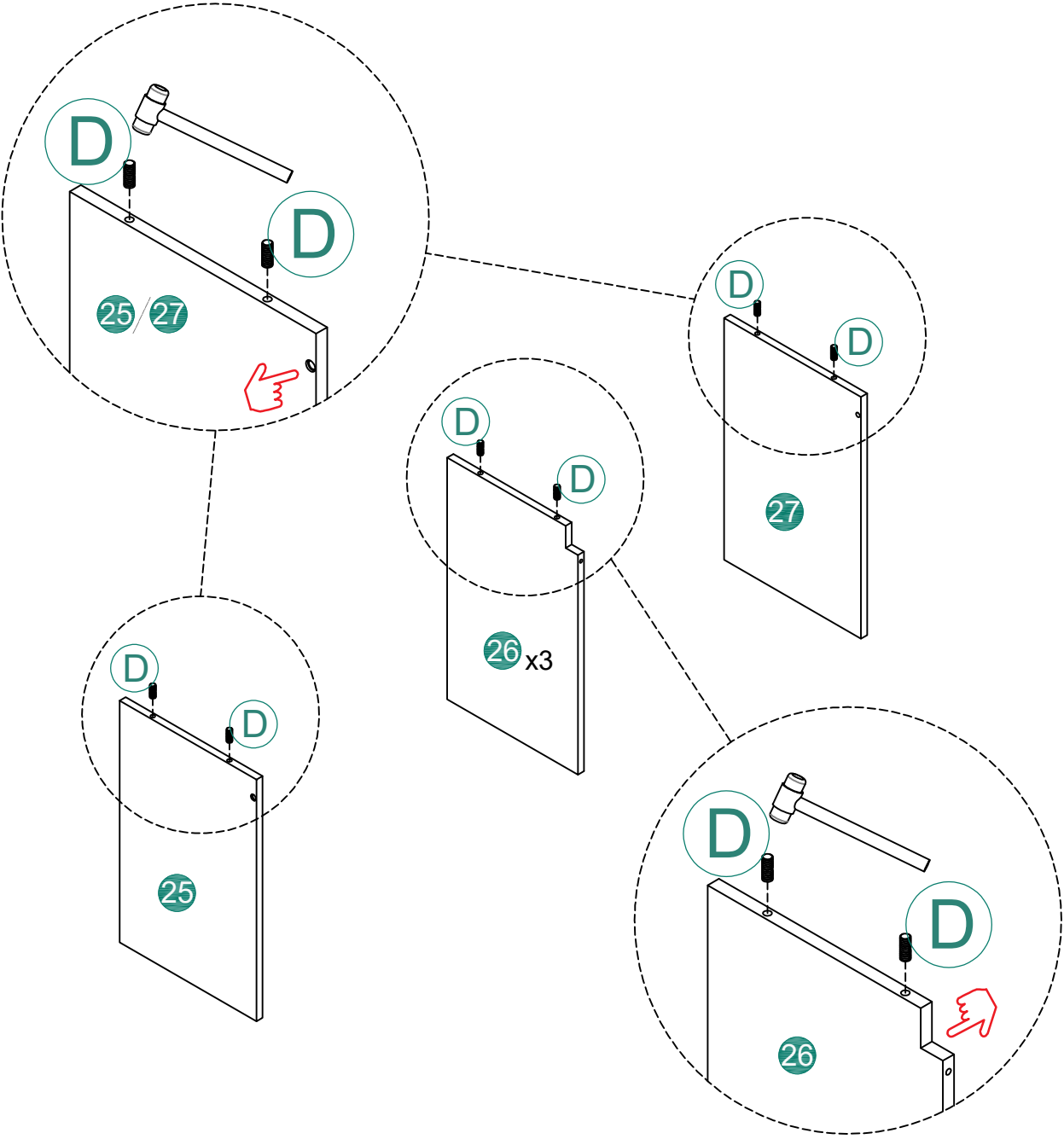
9

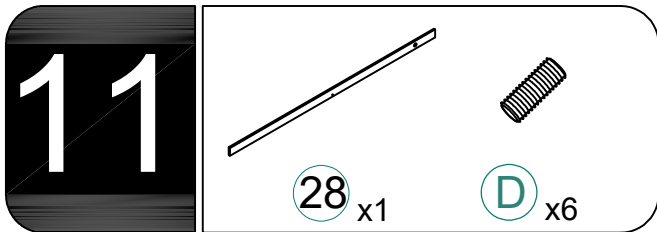
					
19 x1	20 x3	F x3	H x3	J x3	N



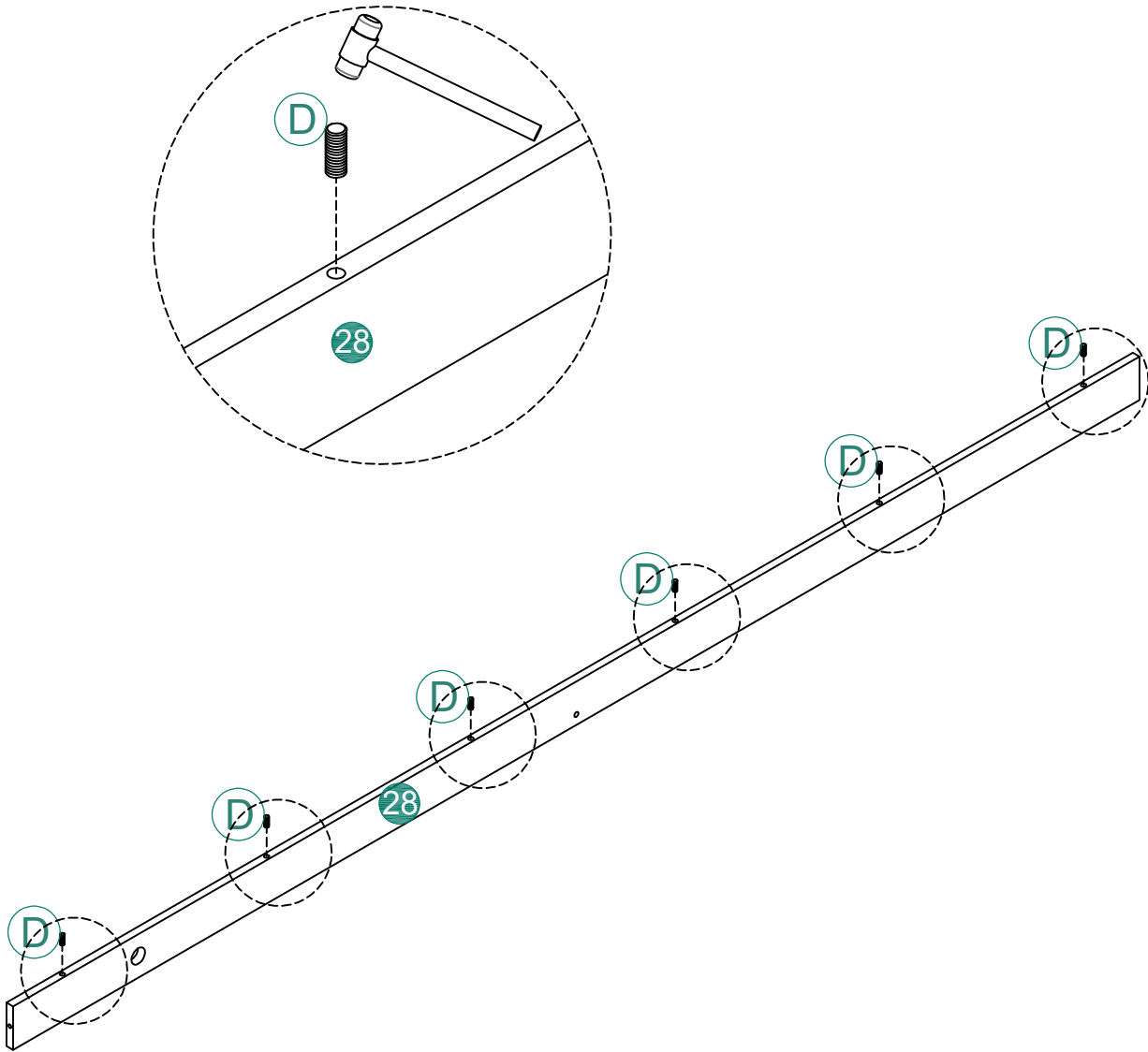


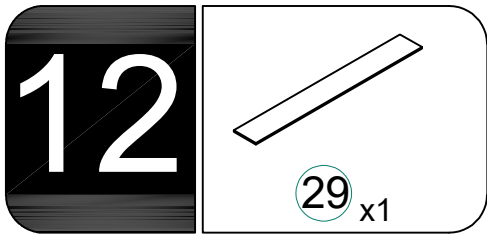
Tap gently with a rubber hammer, be careful not to hurt your fingers



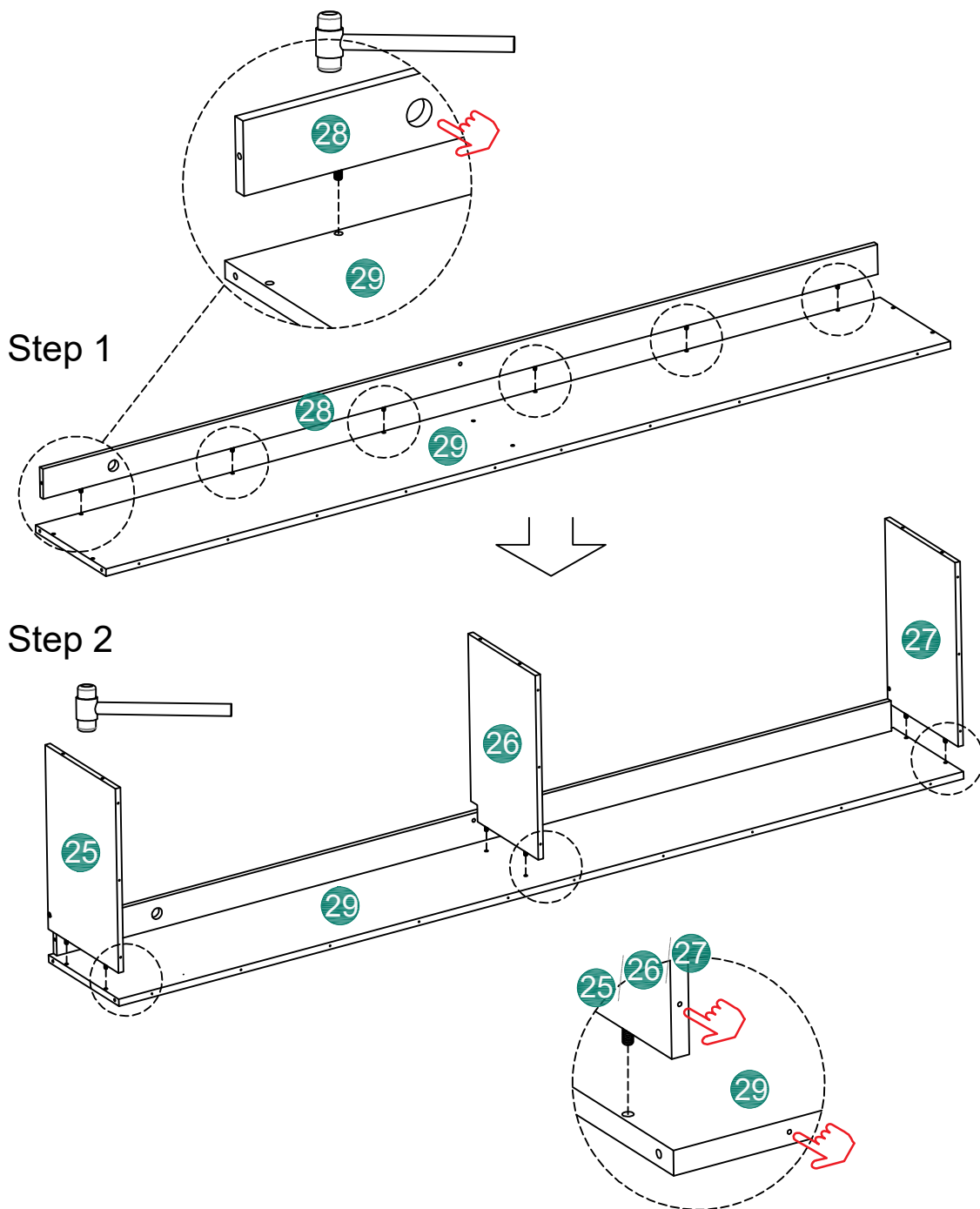


Tap gently with a rubber hammer, be careful not to hurt your fingers

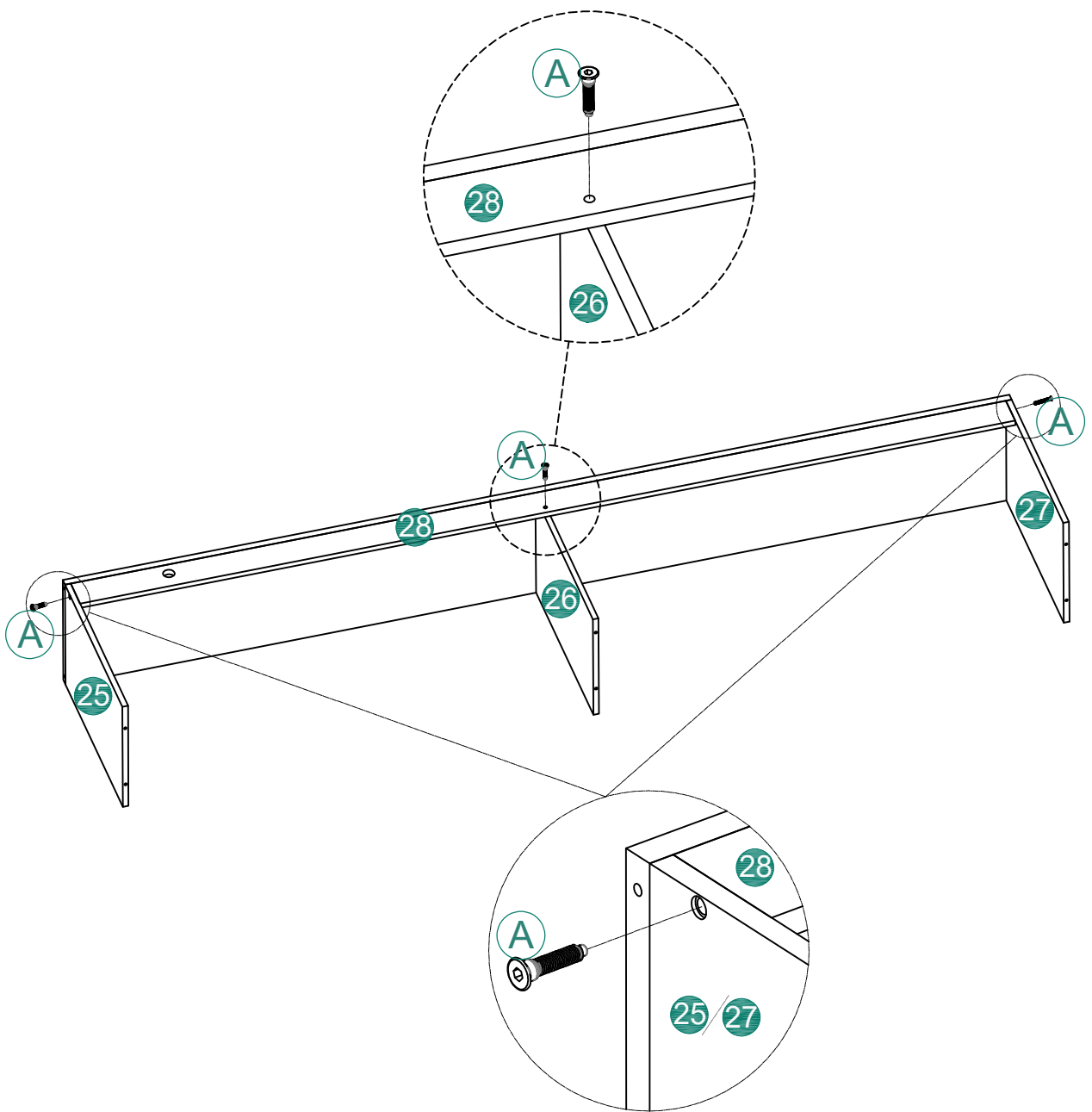
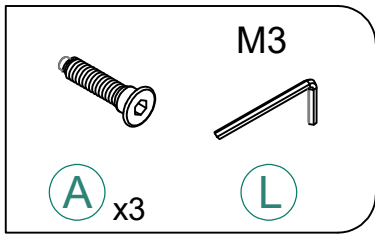




Use a glue hammer to lightly tap different areas on the wooden board

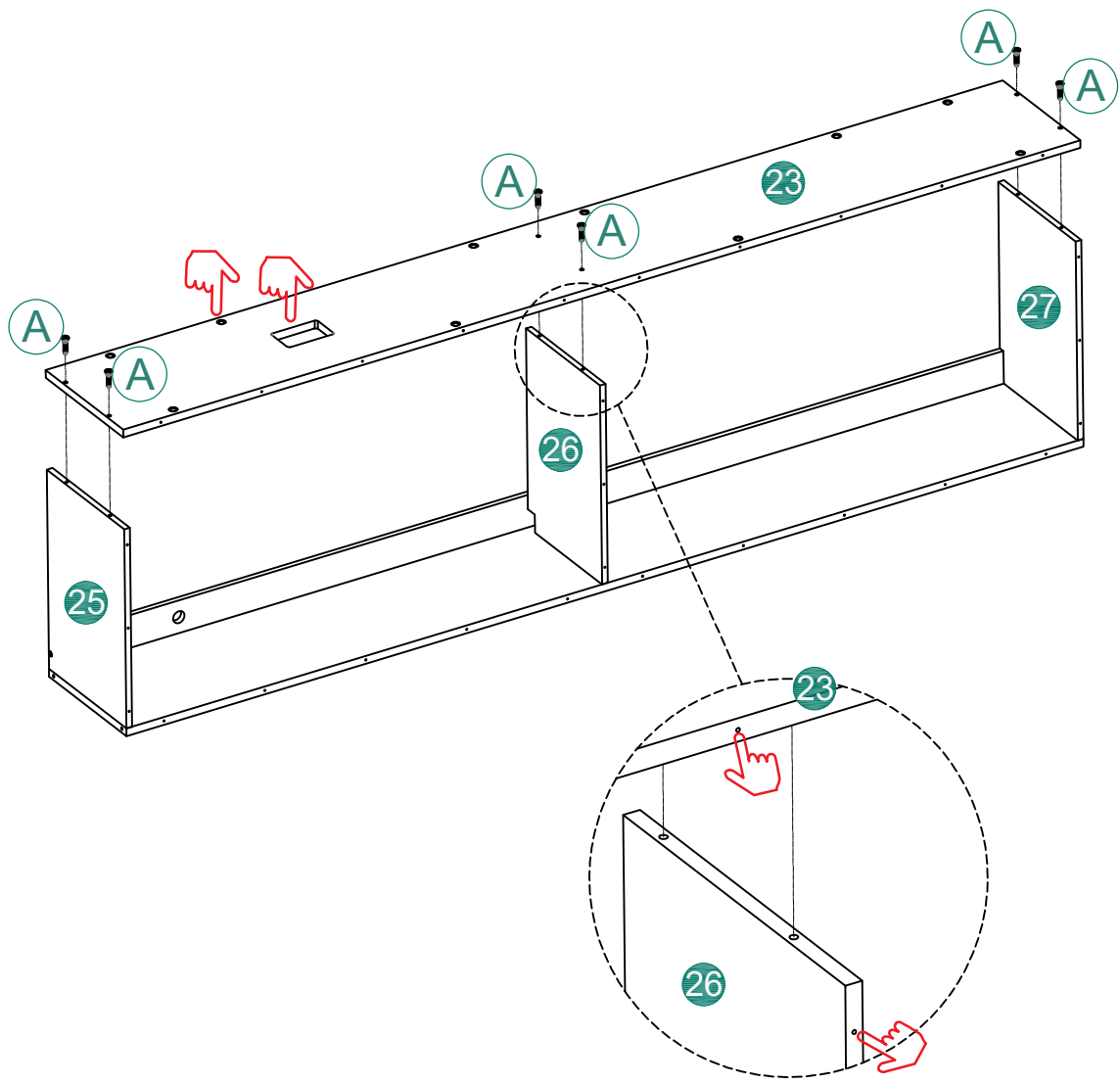


13



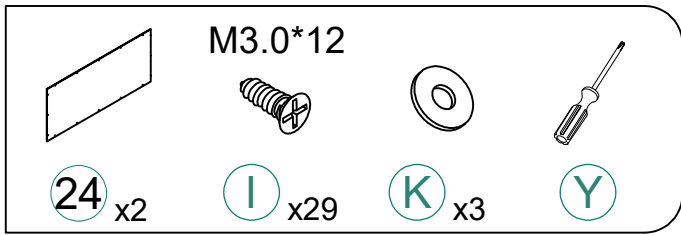
14

23 x1 A x6 M3 L



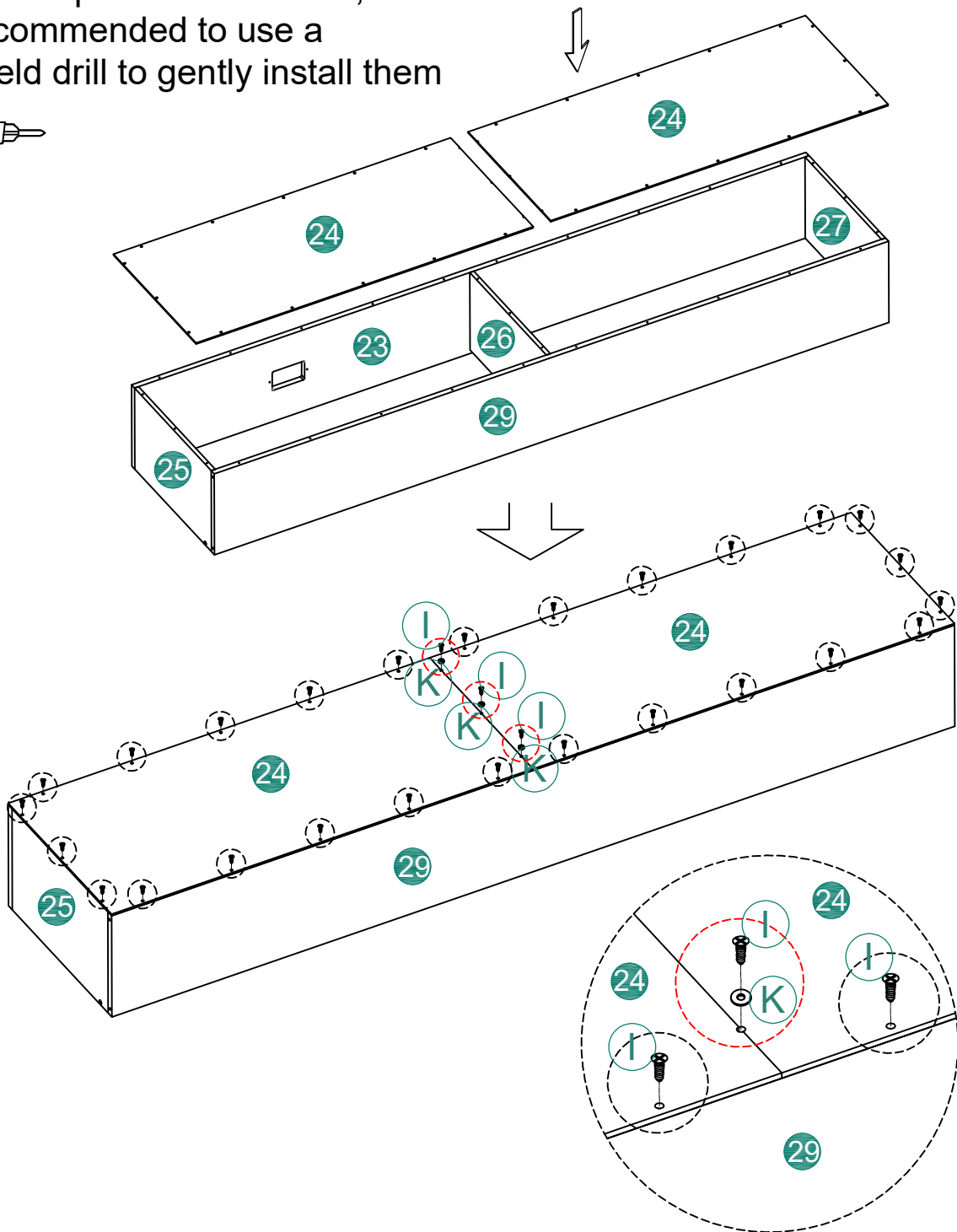
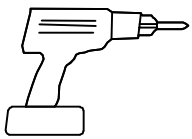
15

M3.0*12

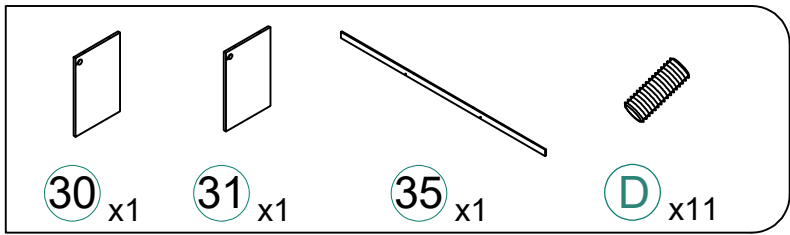


24 x2 I x29 K x3 Y

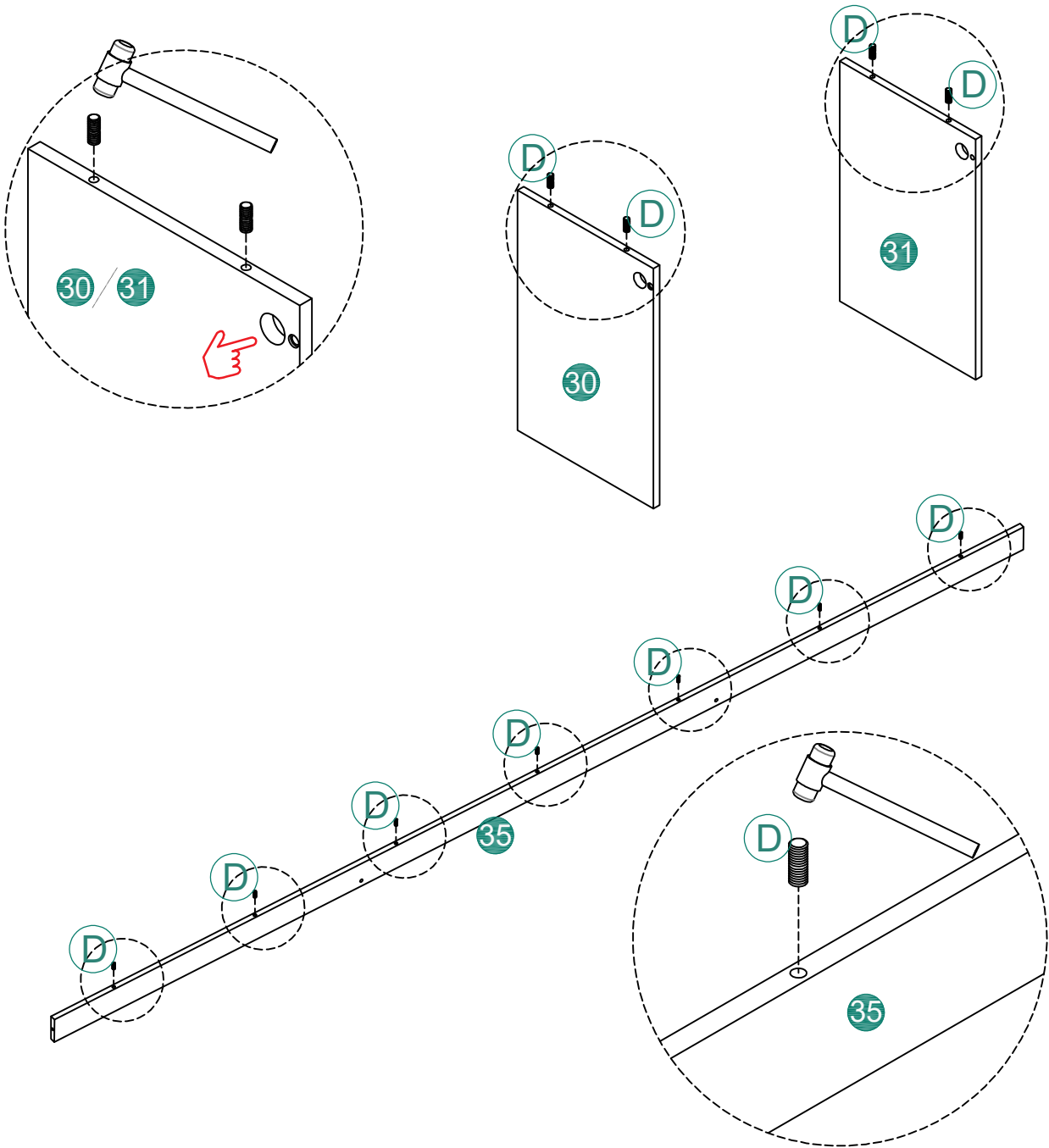
There are quite a few screws, it is recommended to use a handheld drill to gently install them

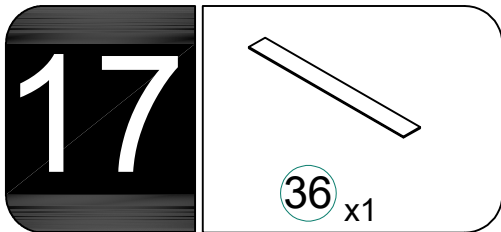


16

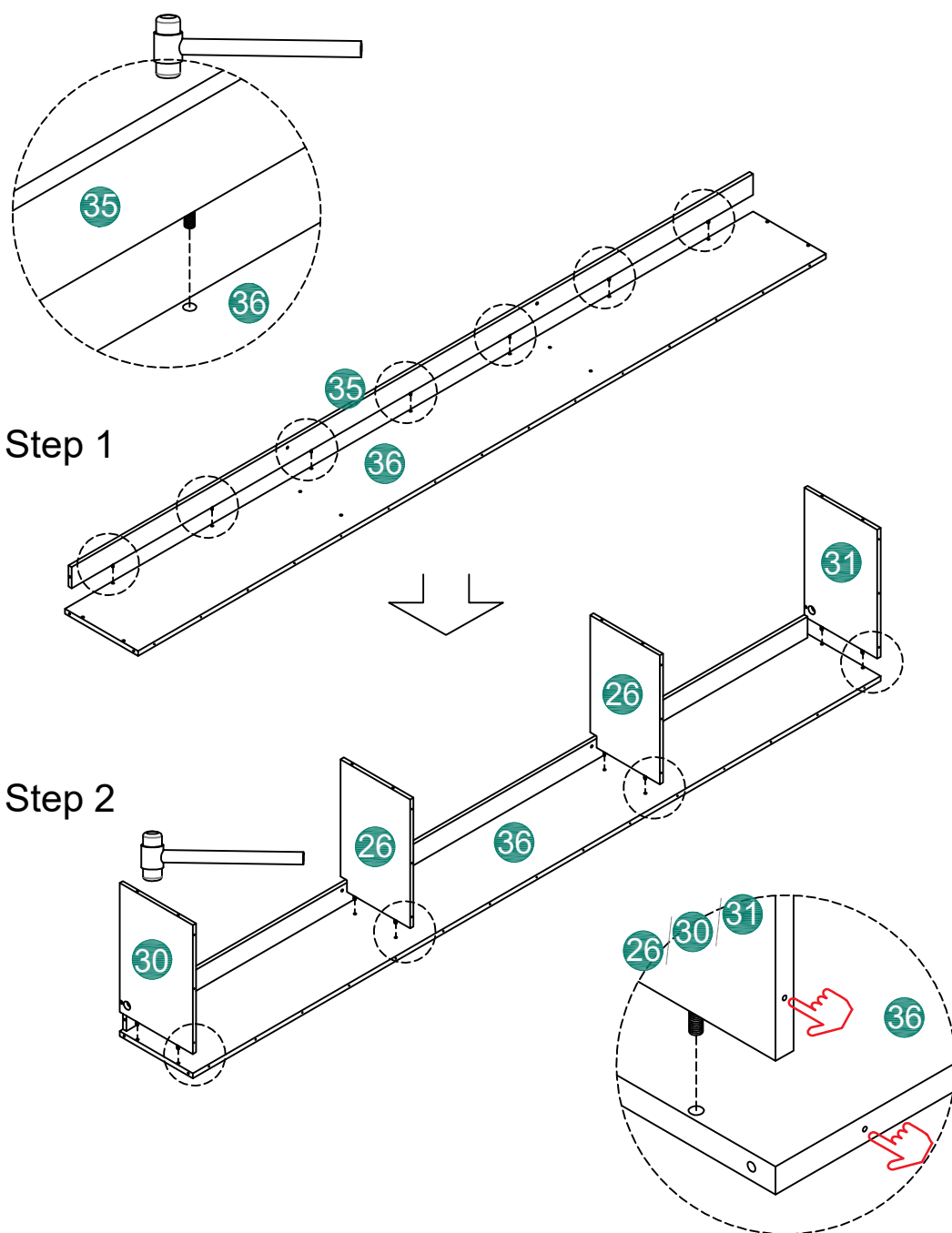


Tap gently with a rubber hammer, be careful not to hurt your fingers

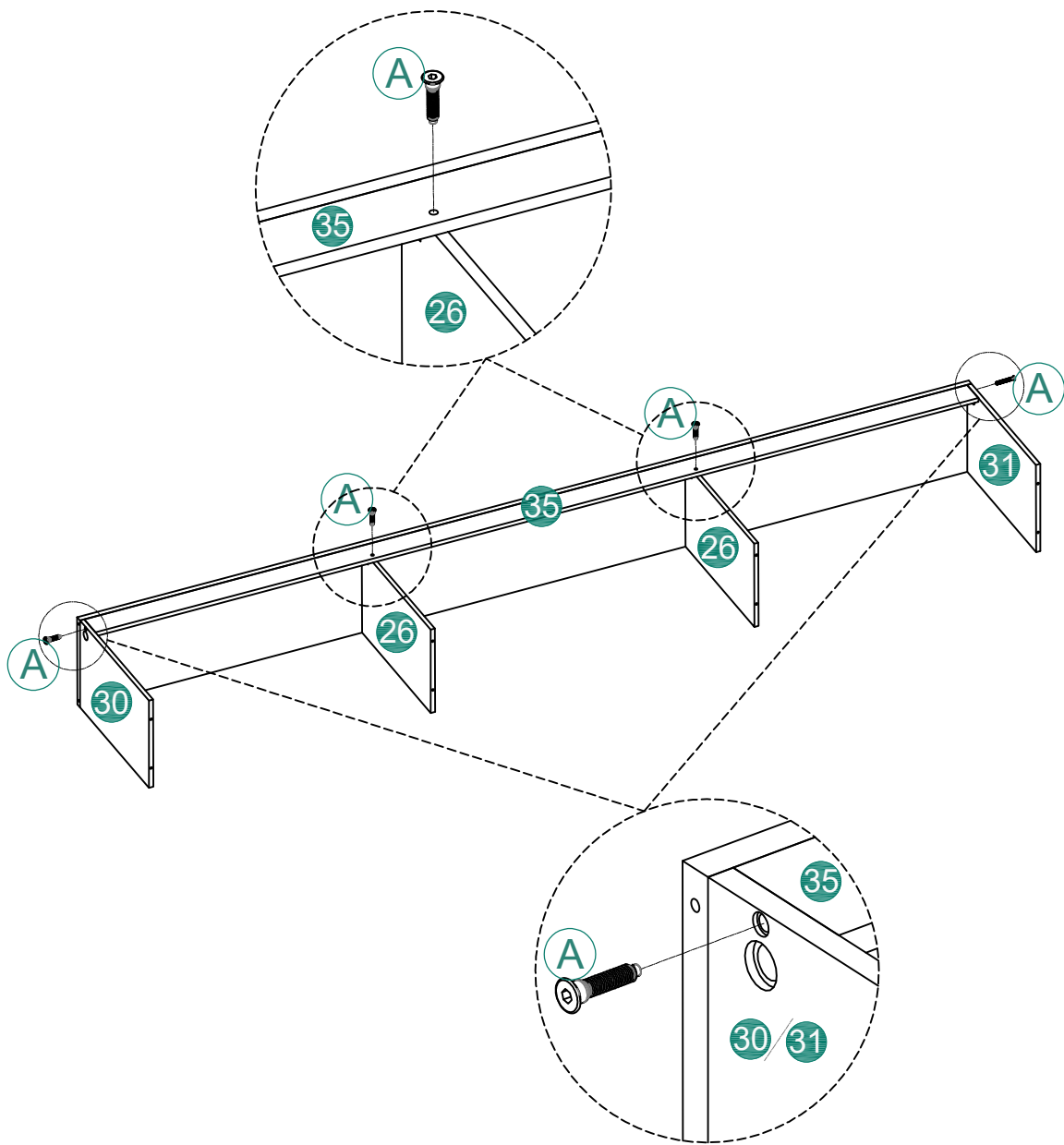
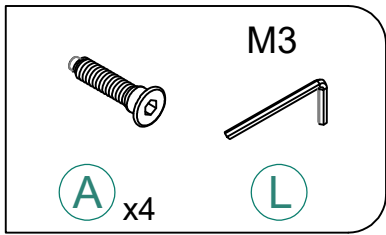




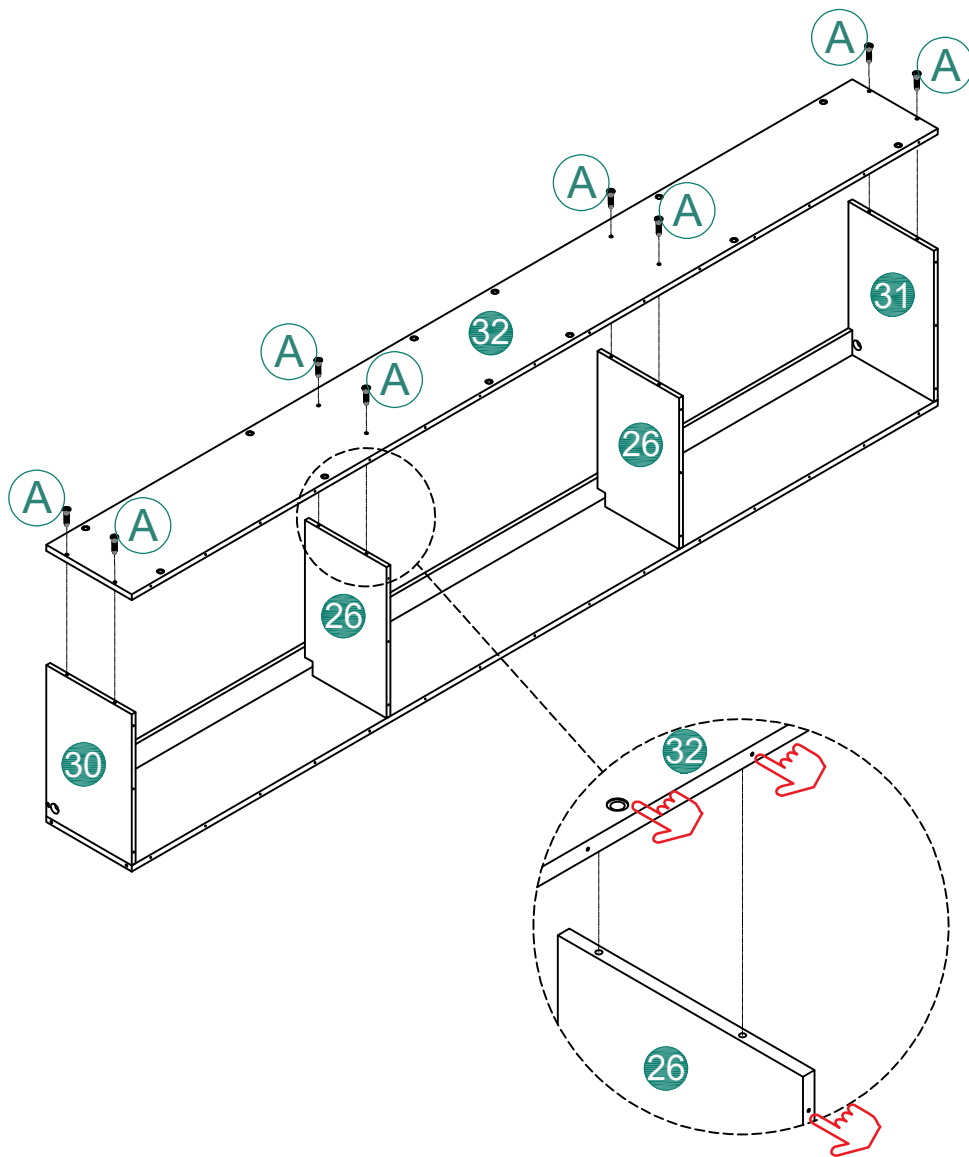
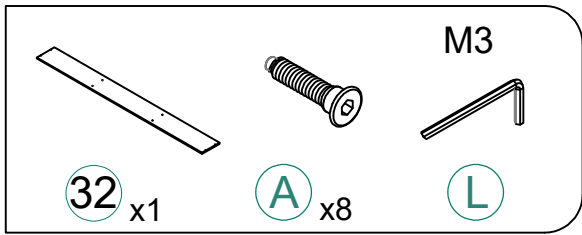
Use a glue hammer to lightly tap different areas on the wooden board



18



19

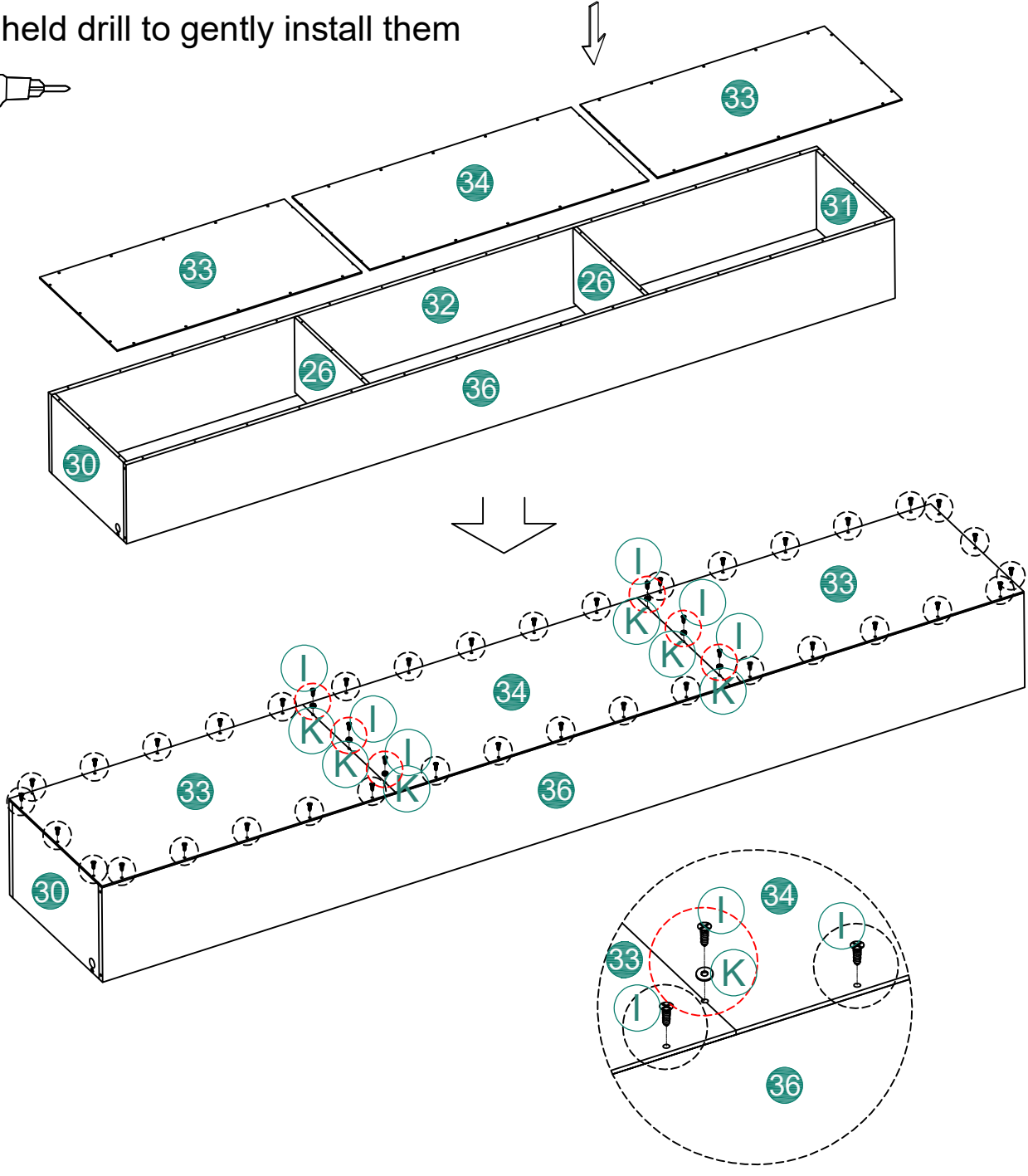
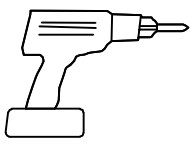


20

M3.0*12

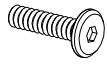
- 33 x2
- 34 x1
- I x42
- K x6
- Y

There are quite a few screws,
it is recommended to use a
handheld drill to gently install them



21

M6*30

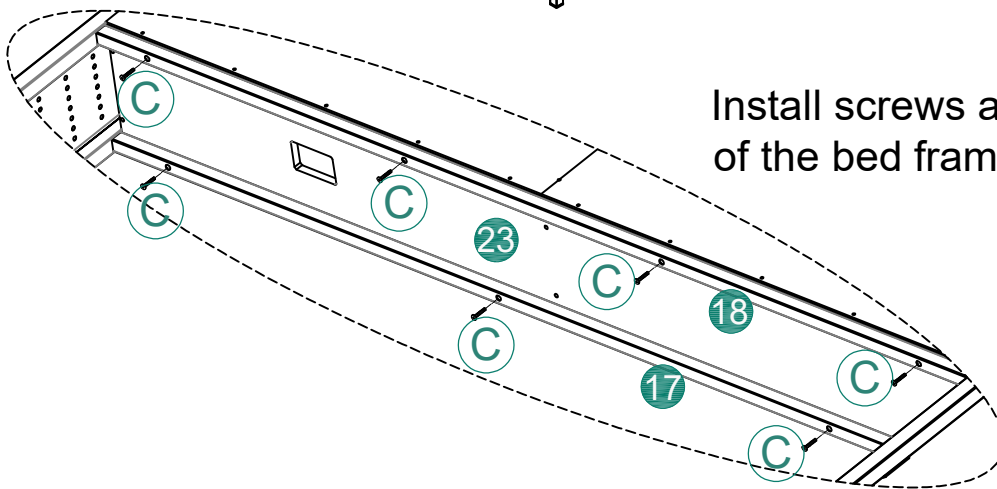
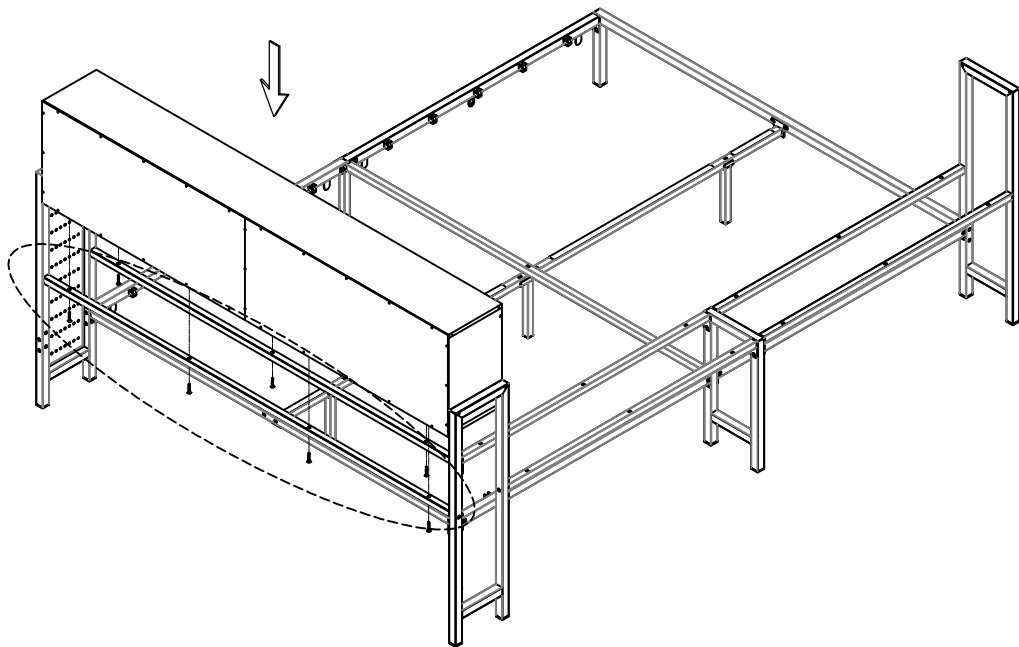


(C) x7

M4



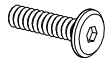
(O)



Install screws at the bottom of the bed frame

22

M6*30

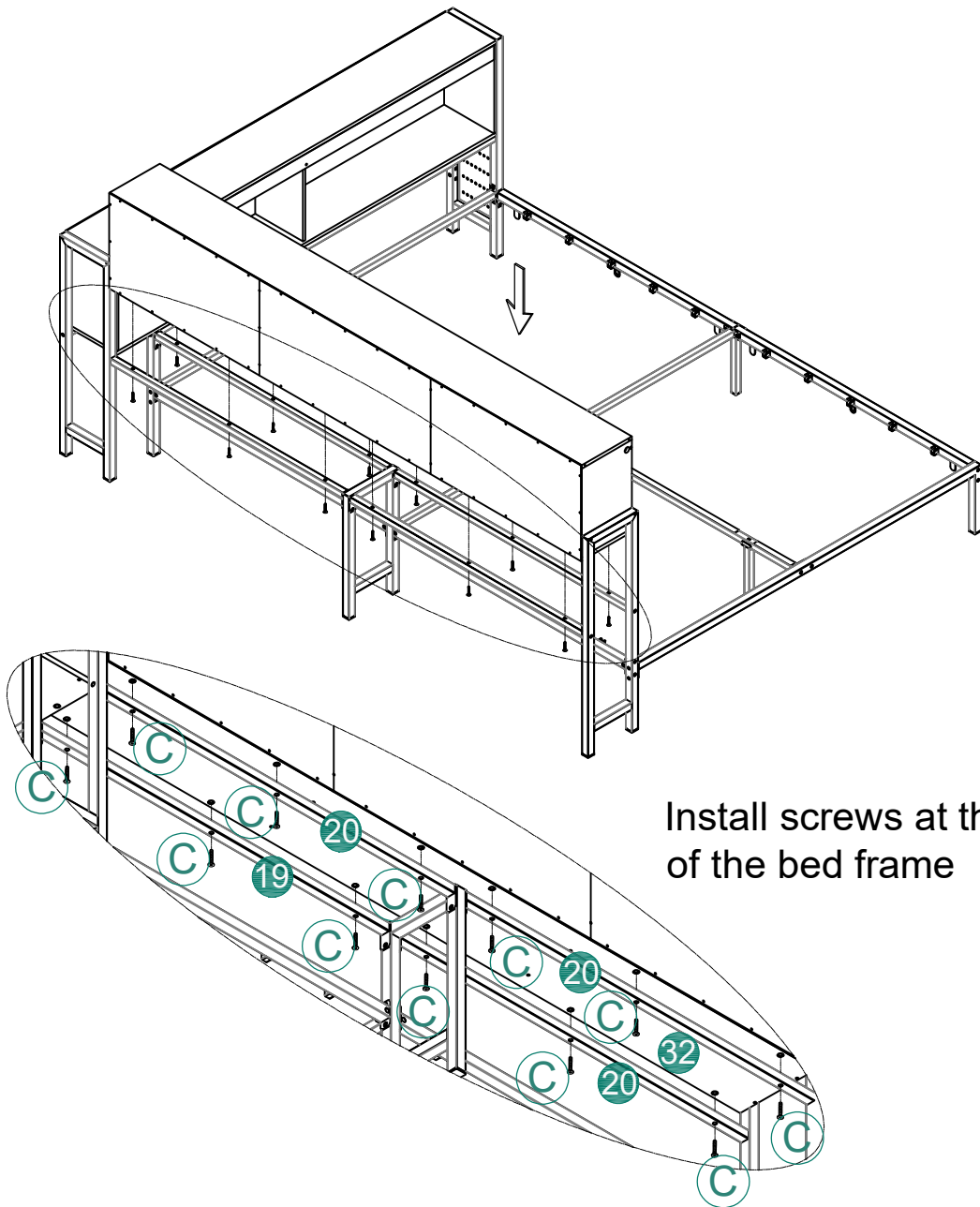


(C) x12

M4



(O)



Install screws at the bottom of the bed frame

23

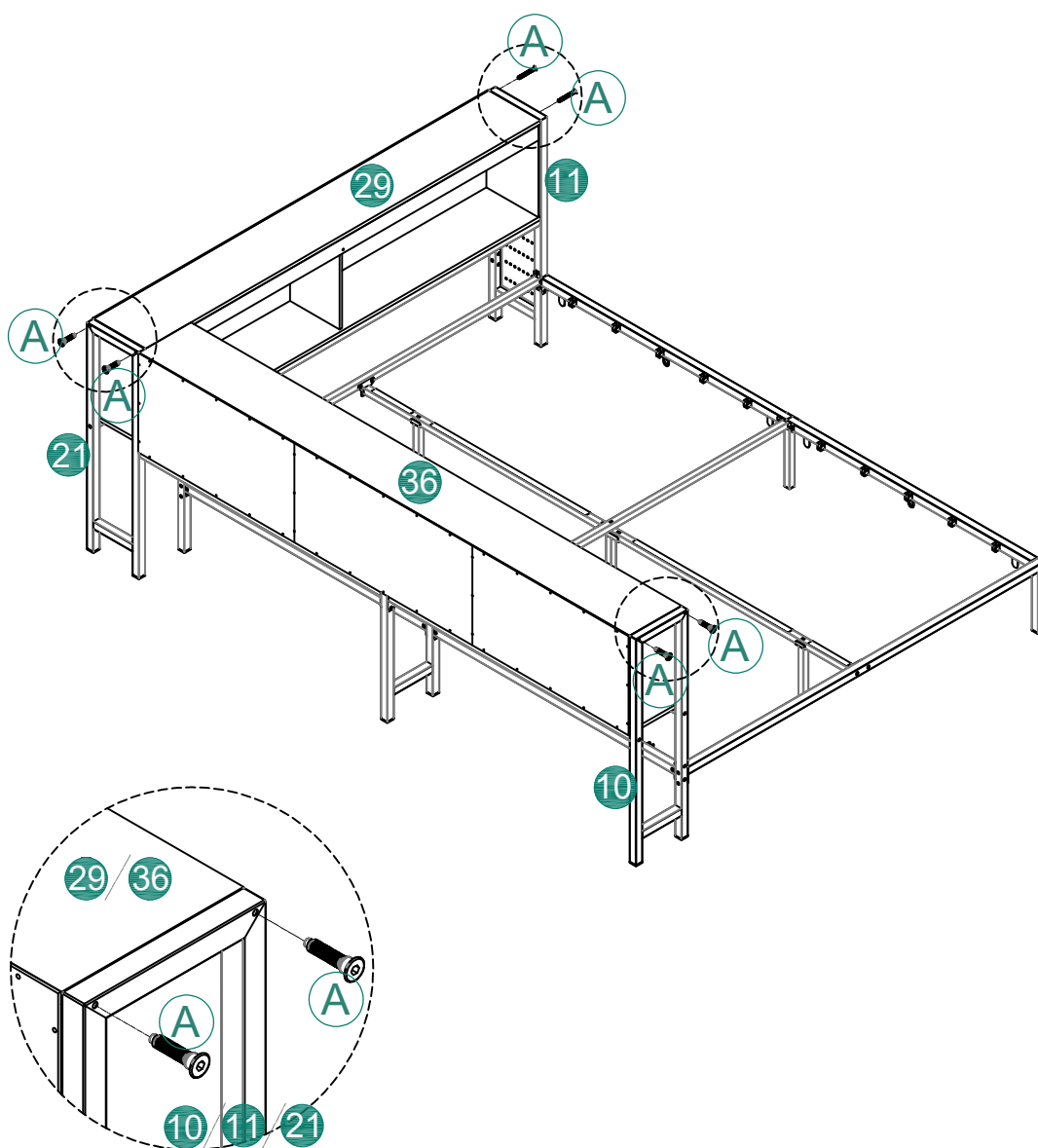


A x6

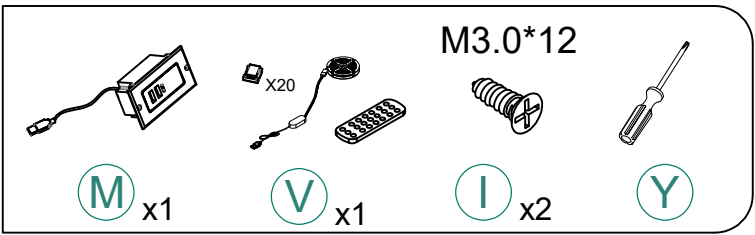
M3



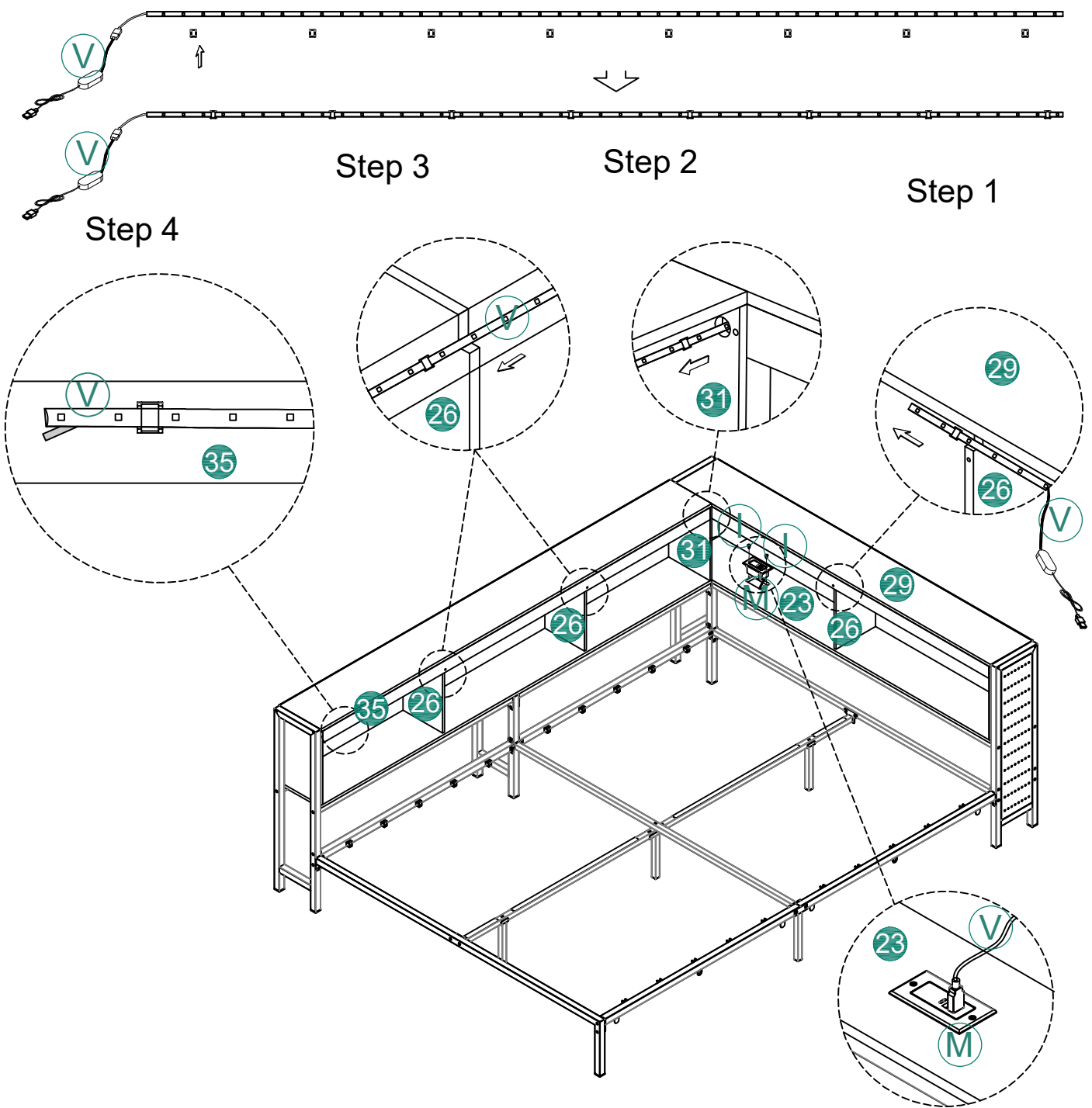
L



24



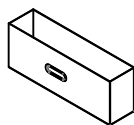
The LED light strip is first fixed with a plastic hook, inserted into the hole of the bed frame, and then the adhesive backing is peeled off and pasted.



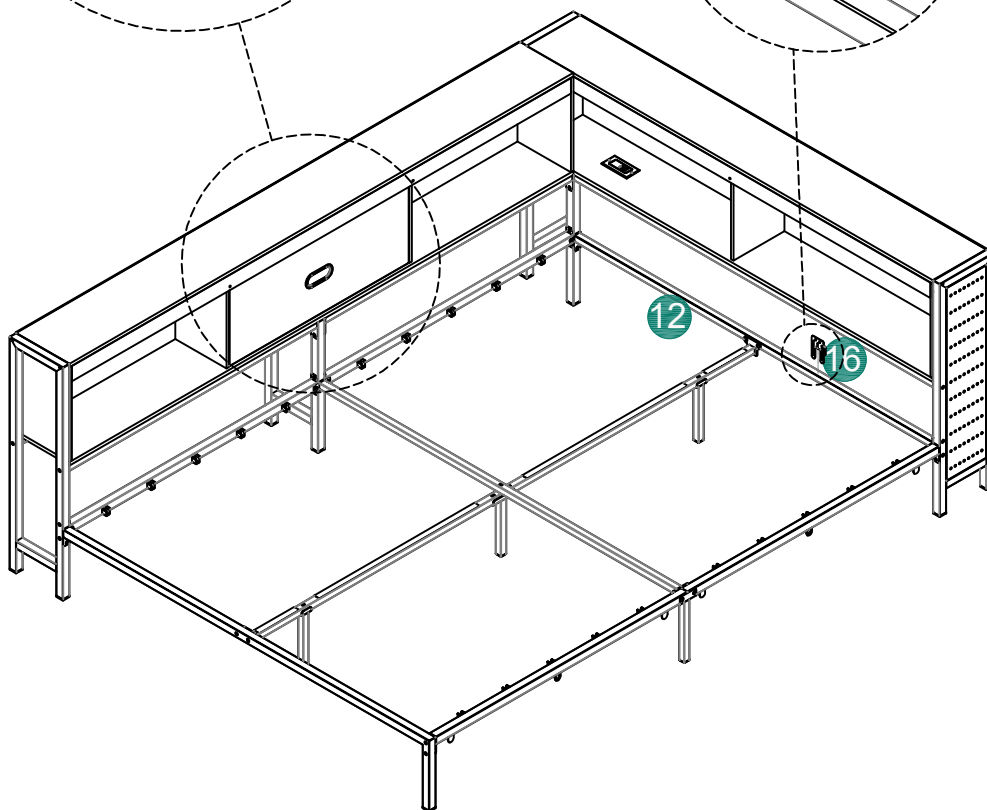
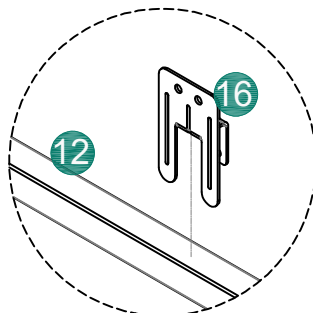
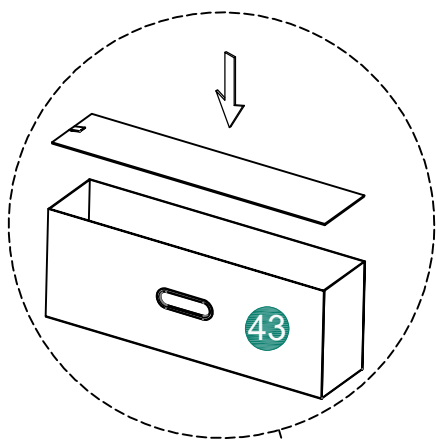
25



16 x1



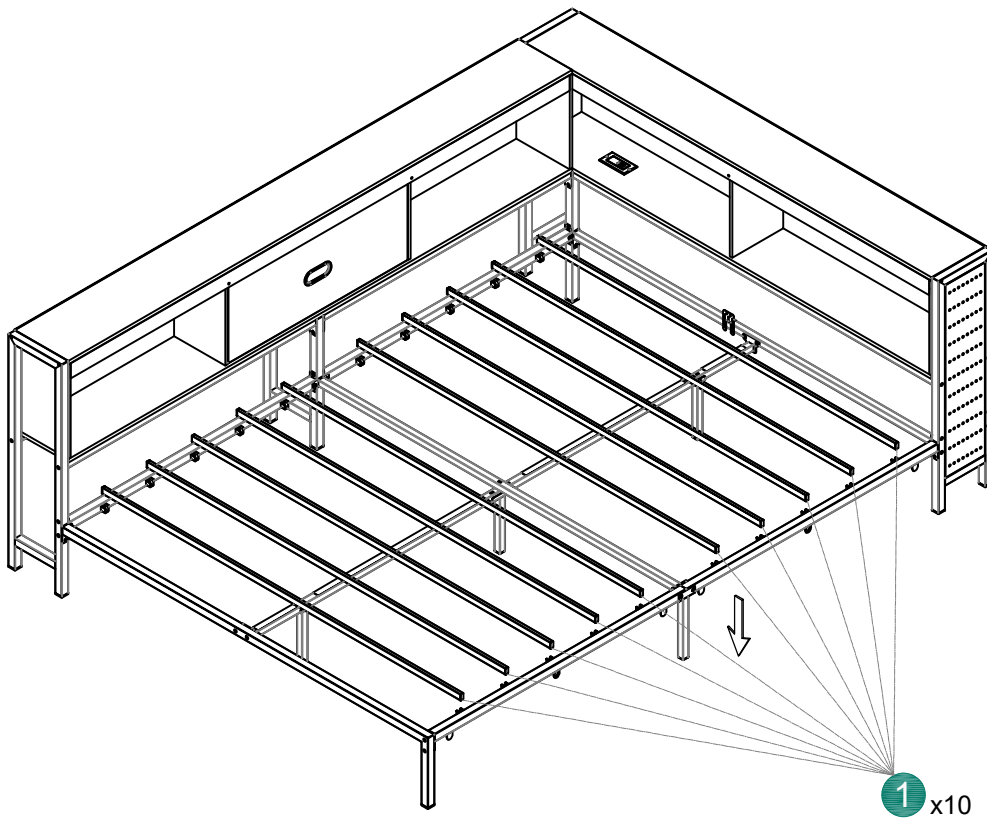
43 x1



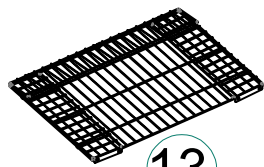
26



1 x10



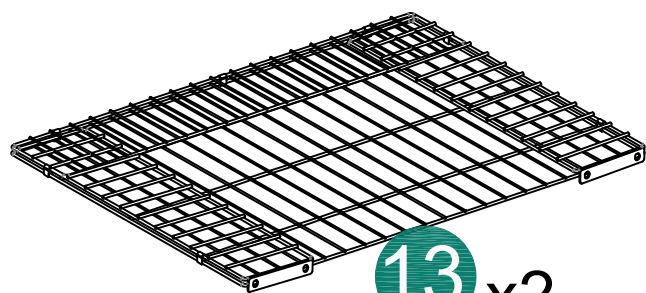
27



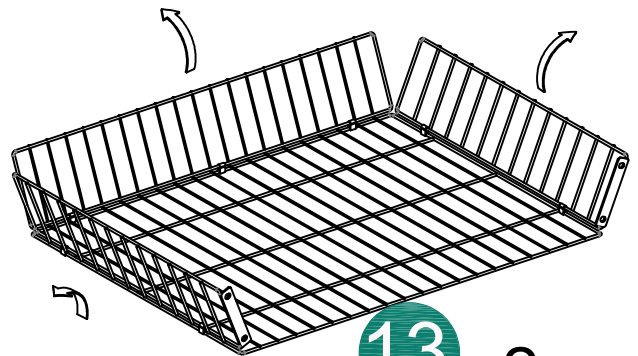
13 x2



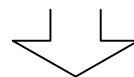
Q x4



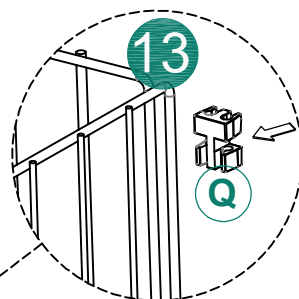
13 x2



13 x2

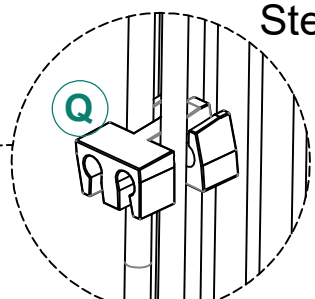


13 x2



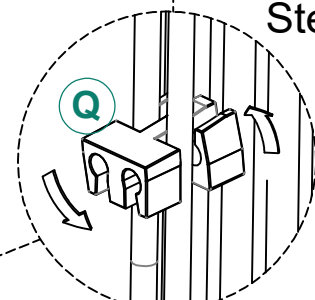
13

Q



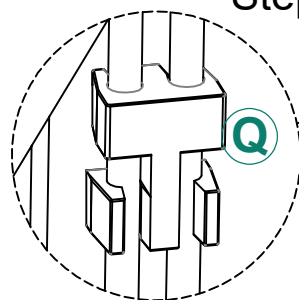
Q

Step 1



Q

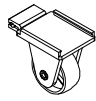
Step 2



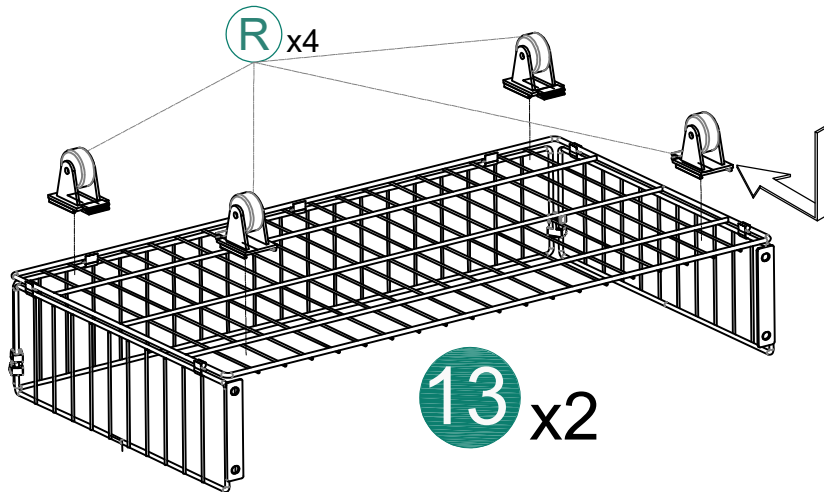
Step 3

Q

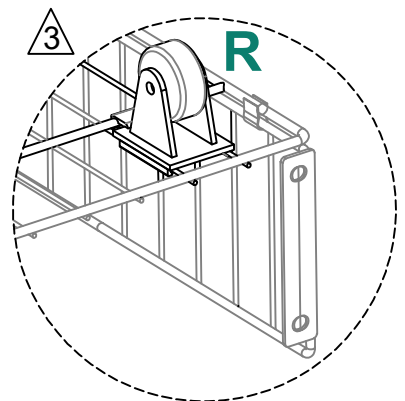
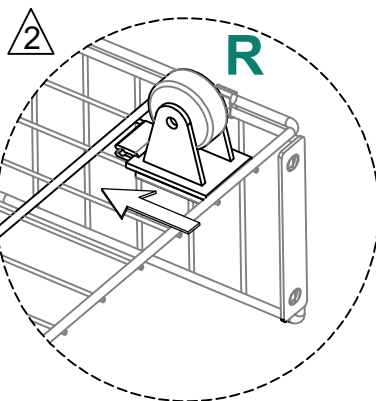
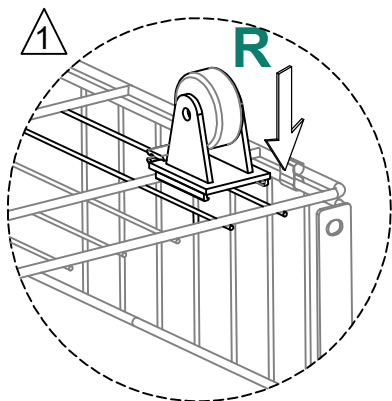
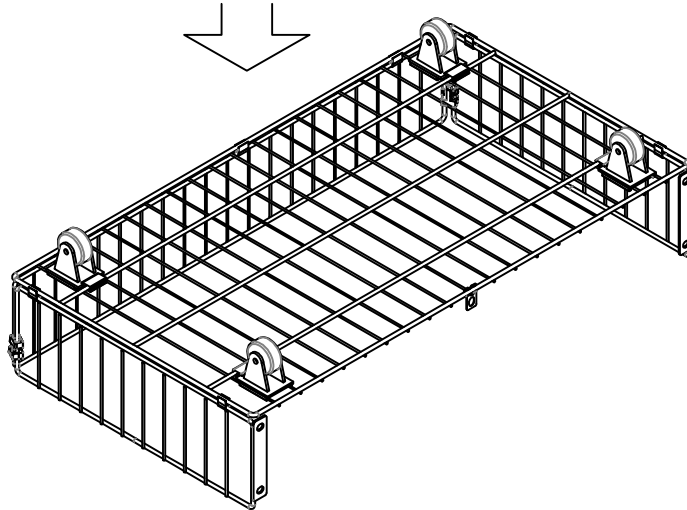
28



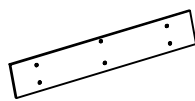
R x8



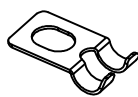
13 x2



29



41 x2



P x2

M6*10



B x10

M6*10(Ø8*5)

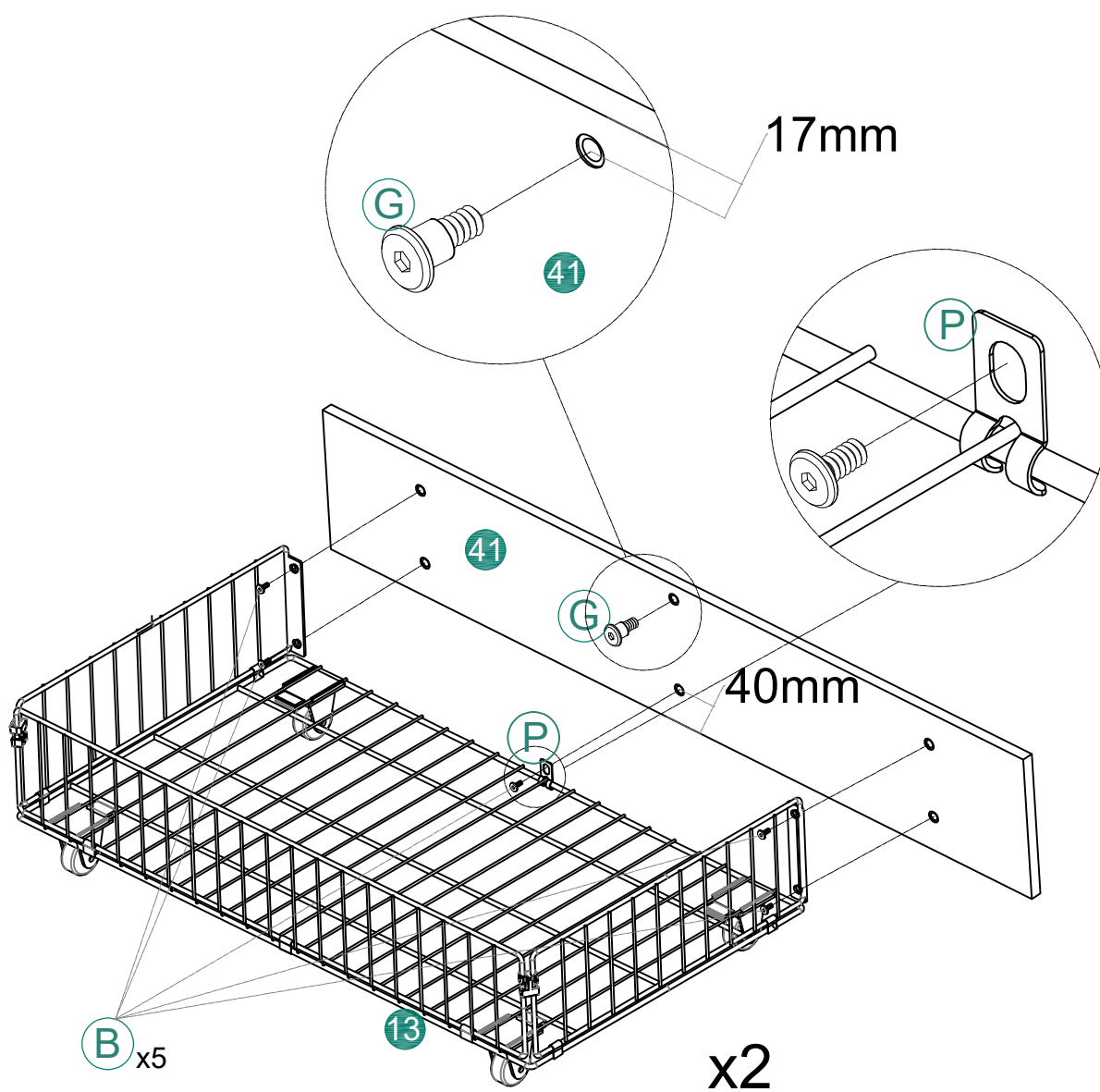


G x2

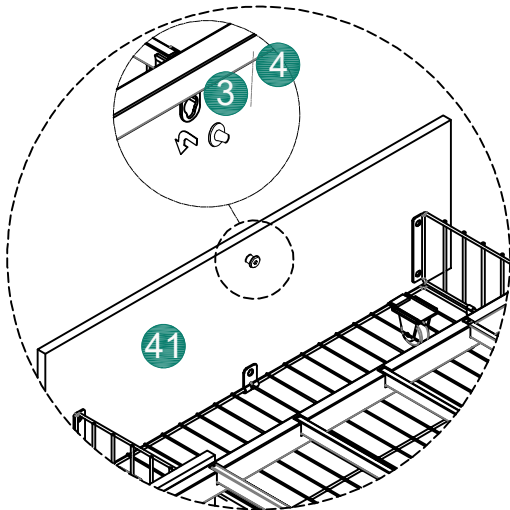
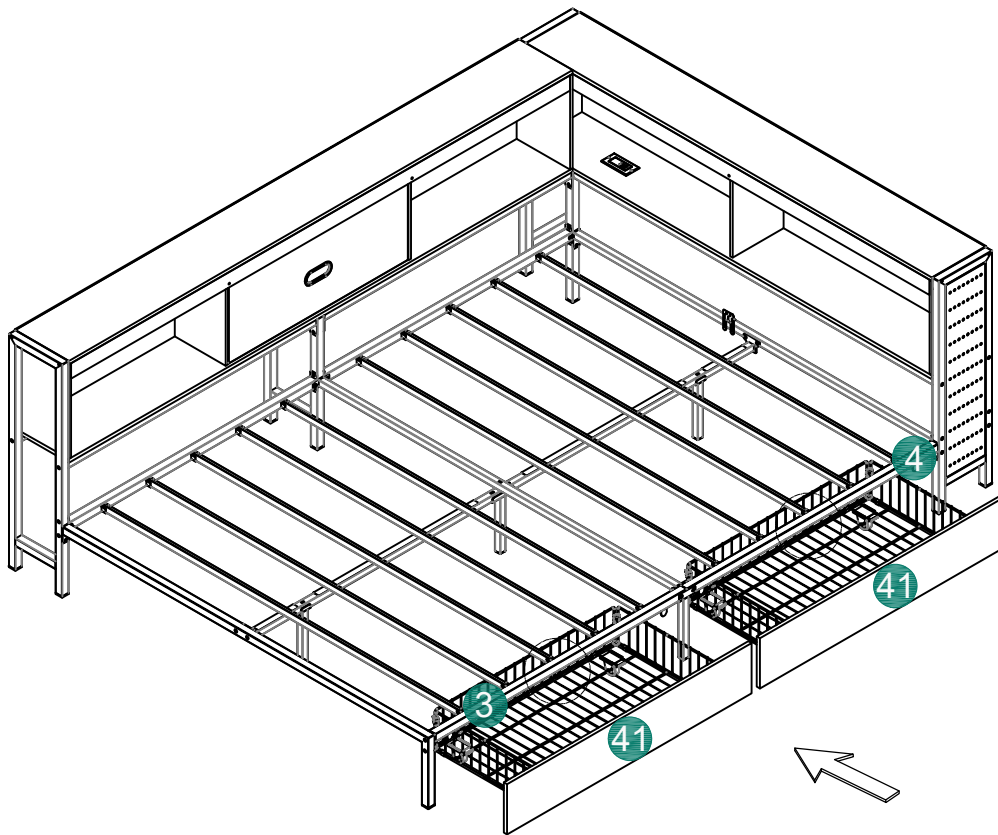
M4



O

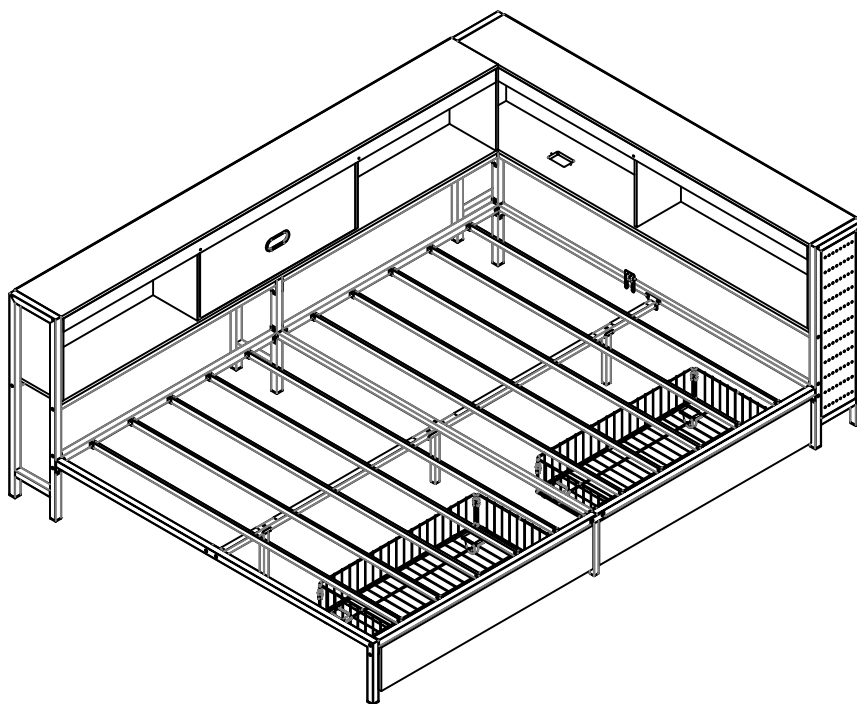


30



31

Installation Complete



APP Manual

1. Software Overview

1.1 Overview

Is a mobile APP to control LED strip by both Apple and Android phones.

The traditional control ways like infrared, 433MHz, 2.4GHz and others old wired ways will be replaced by mobile phone control way with convenient, powerful and scalable features.

Through this mobile APP, you can not only control the color, brightness and color temperature of the LED strips but also set up all kinds of fancy flash mode; Also this APP can change the light of the LED strip according to the rhythm of the music. This APP can set and control several LED strips through Bluetooth and the operation is very simple, easy to learn and easy to use.

1.2 Features

Adjust color LED strips with 60,000 colors to change color and brightness and adjust monochrome LED strips to change brightness and color temperature

Play music or turn on a sound playback device, you can let the light change the color and brightness with the rhythm of music, the music rhythm beautiful

Inside multiple setting mode for color change and control LED strips without mobile

Long distance control with omni-directional antenna, and many-to-many group control mode

Once the connection is successful, connect automatically next time

1.3 Performance

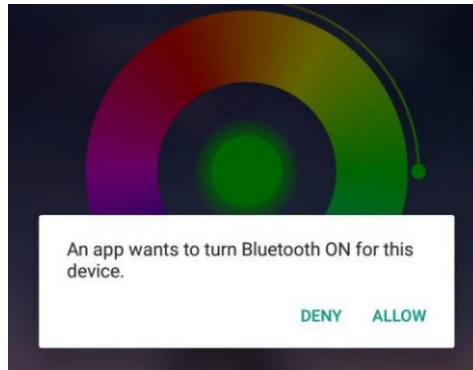
Is easy for use as well as great compatible for all kinds of smart phones; After the actual test of hundreds of mobile phones verification, the compatibility is above 95% of mobile phones in the market. APP is small and convenient, it consumes less system resources, so the requirements of the mobile configuration are low. Control delay is small, the operation feel good, light control is smooth with people's visual sense.

1. Operating Environment

This APP program requires phones of system above Andriod 4.3 and iOS 8.0. Mobile phone configuration is not limited.

1. Instuctions

Note: Android version and iOS version download and use the same method, here in the Android version as an example.



(3) switch to color and brightness interface:

Click to show the lamp list

Switch the color wheel

Click to display setting view

Lamp switch button

Adjust the color

Display the RGB value
Click to manual adjustment view

Click square icon to adjust the color

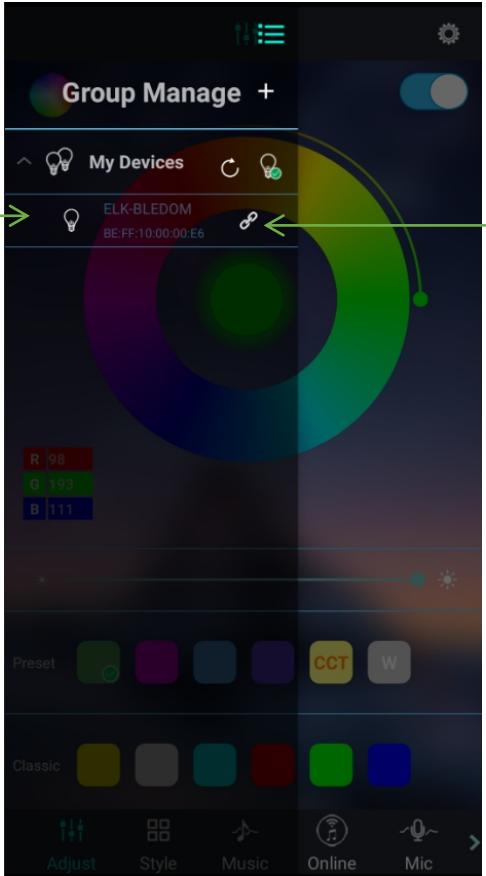
Click to shift the interface

(4) click to show the lamp list, view lamp list:

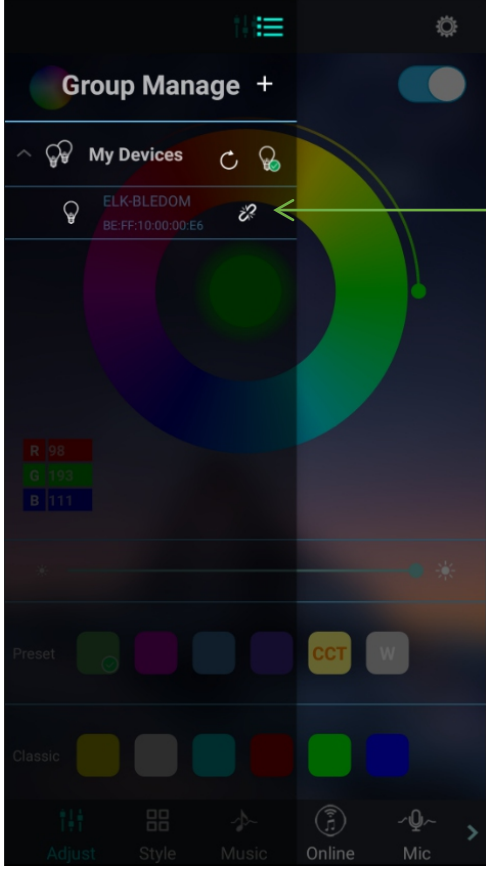
Bluetooth auto connect after search for devices

Lamp list

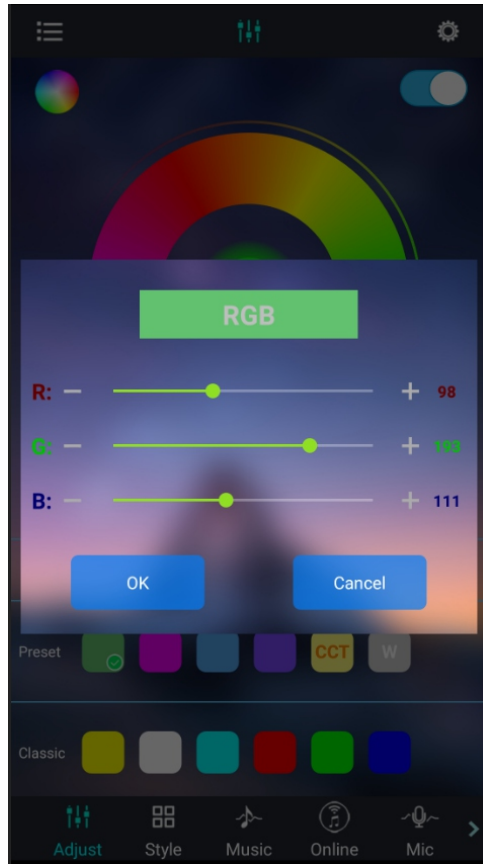
Status of device connection



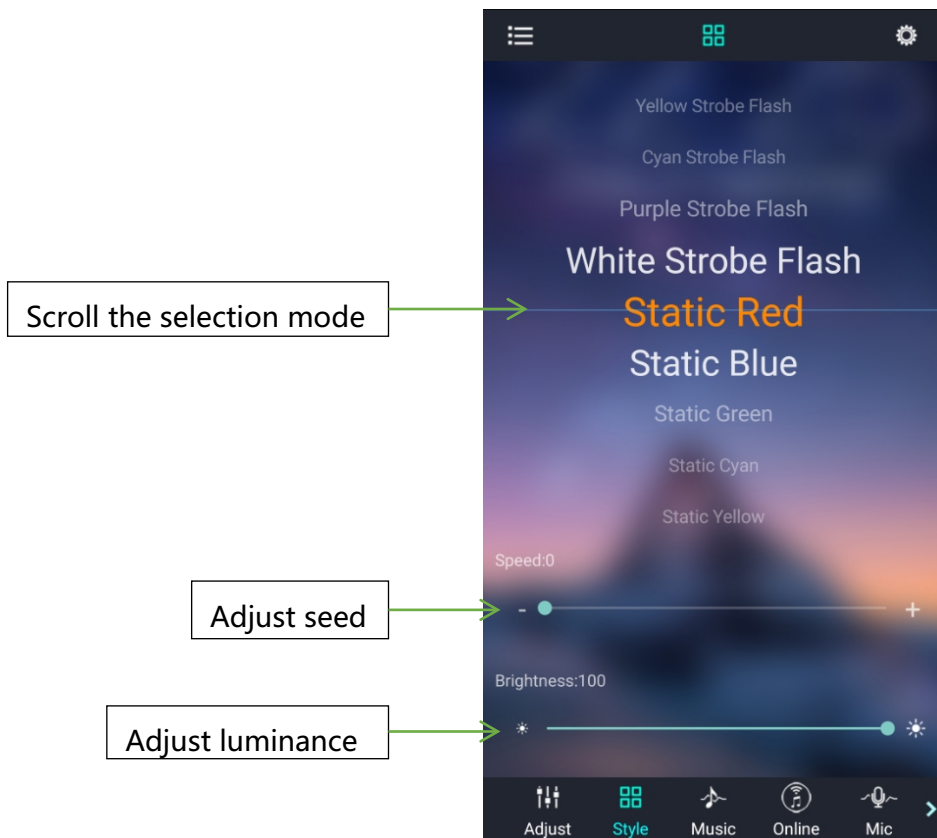
Status of device connection



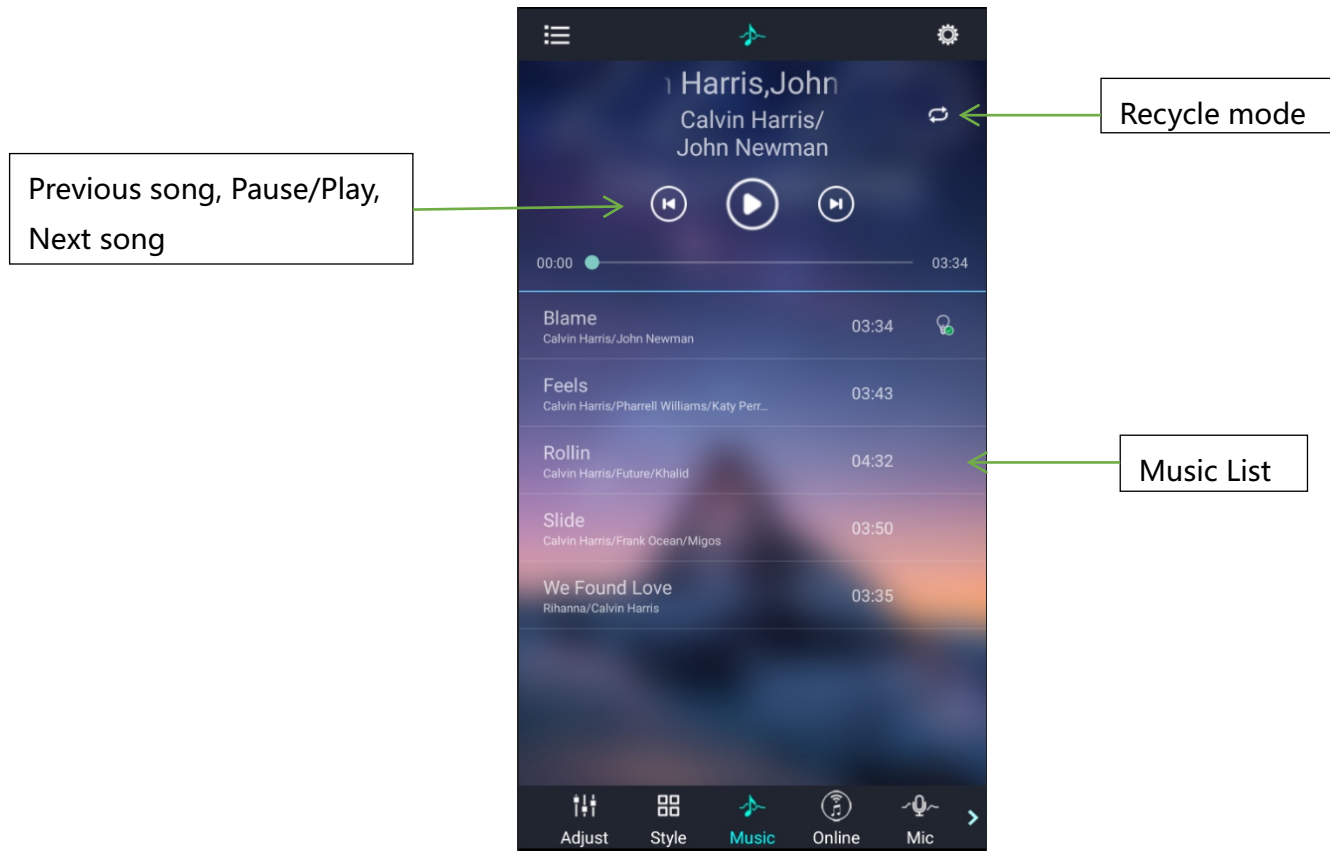
(5) Click to RGB manual adjustment view:



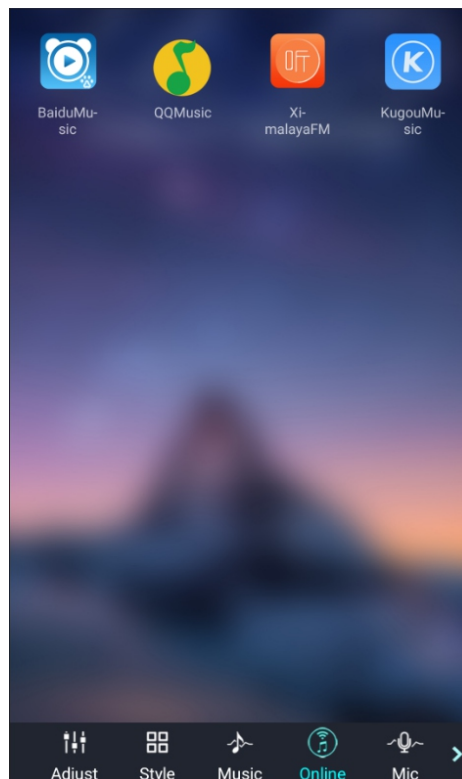
(6) switch to the mode interface:



(7) switch to the music rhythm interface:

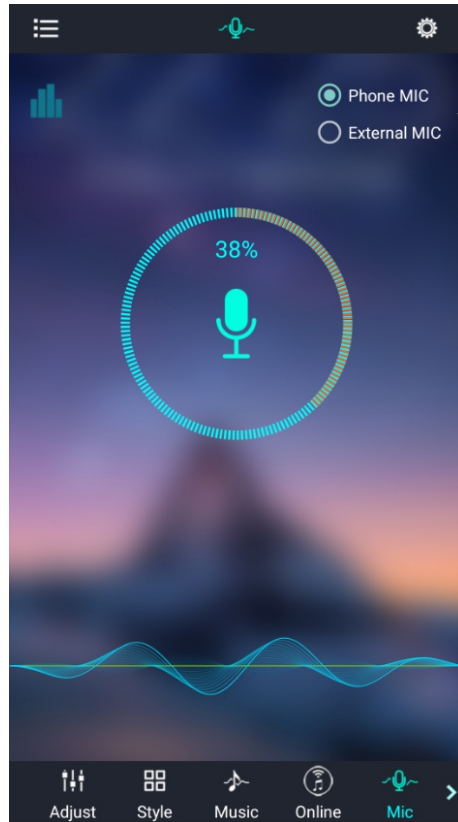


(8) Switch to the online music interface:



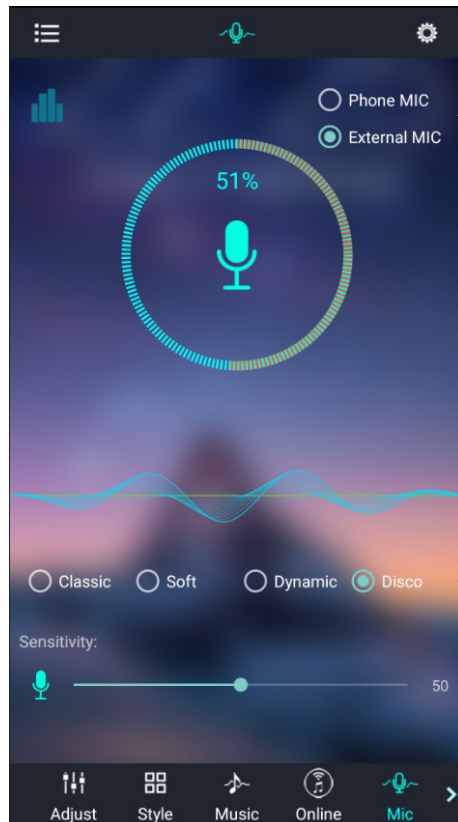
(9) Switch to the microphone rhythm interface:

Music rhythm through cell phone microphone



Switch phone microphone and external microphone

Music rhythm through the microphone on the product

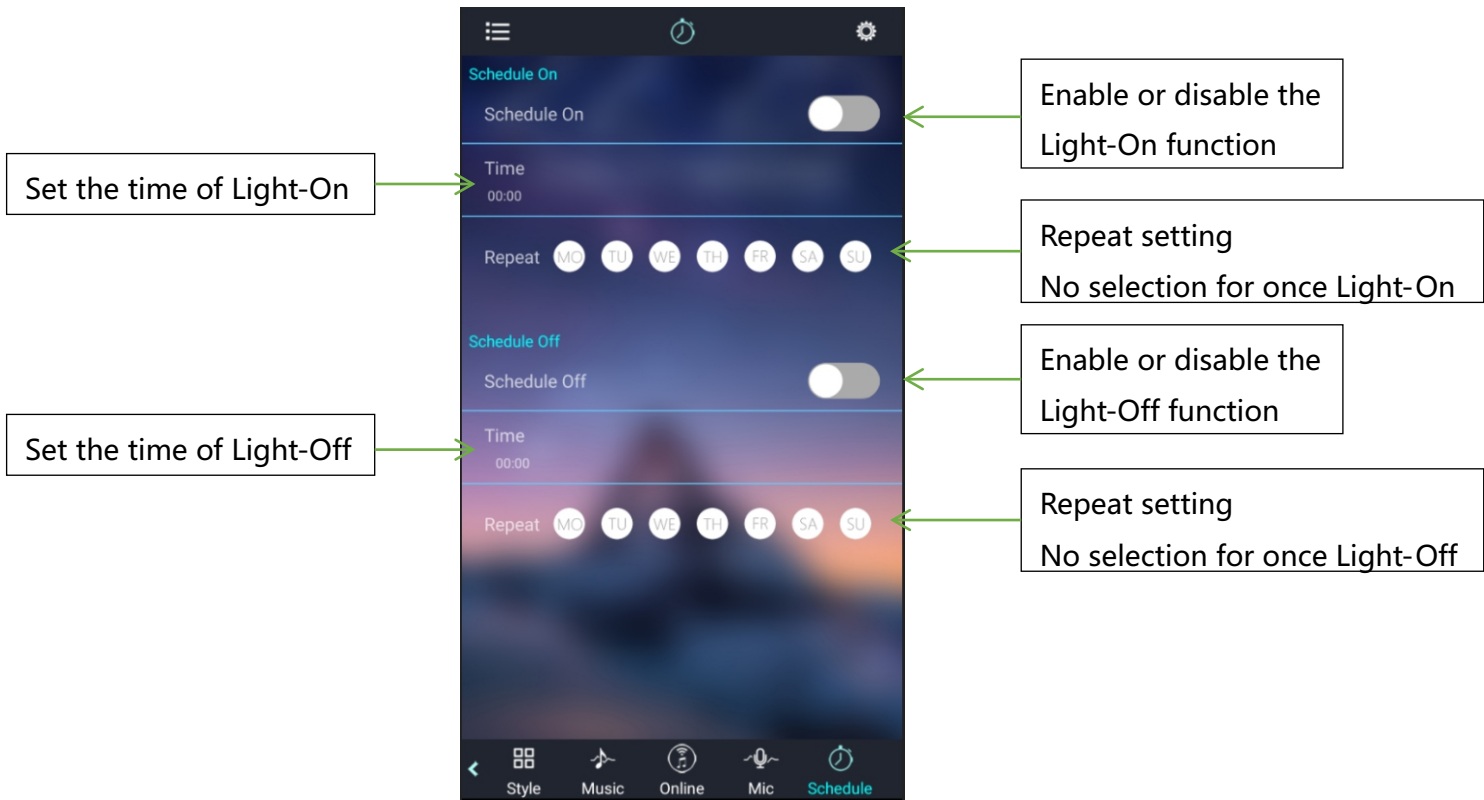


Switch phone microphone and external microphone

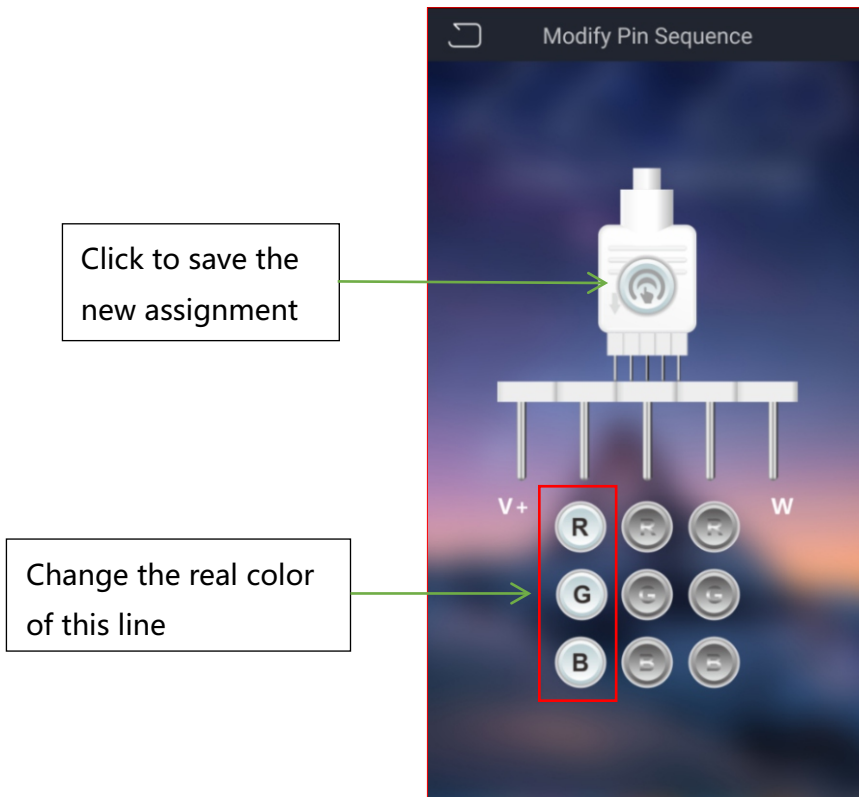
4-style rhythm

Change the sensitivity of MIC to match the sound

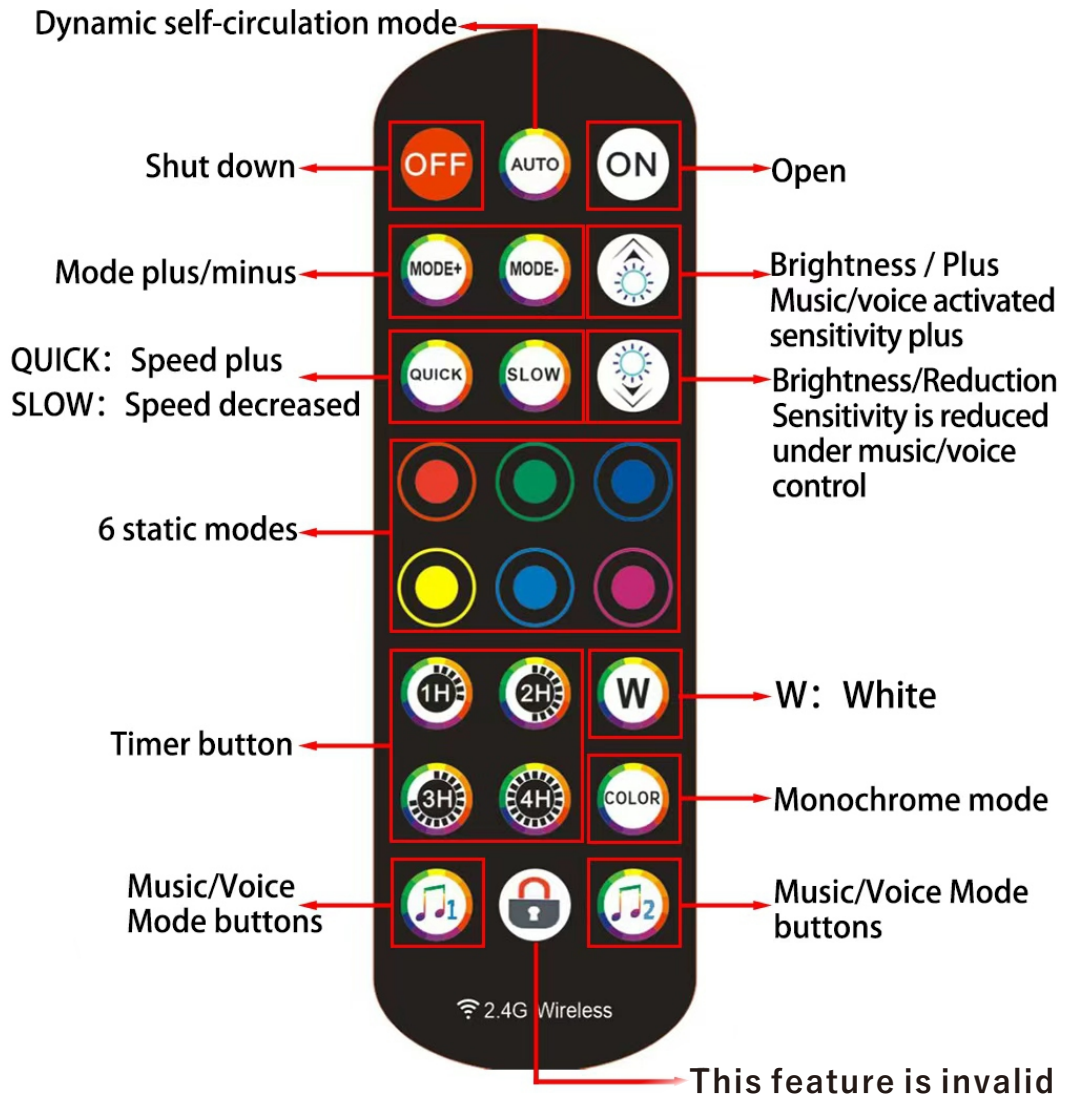
(10) Switch to the schedule interface:



(11) Switch to the modify pin sequence interface:



Remote Control Instructions



HELP CENTER



Inquiry



Assembly issue



Missing parts

If you encounter any difficulties during assembly, please contact us.

Wenn Sie während der Montage auf Schwierigkeiten stoßen, kontaktieren Sie uns bitte.

Si vous rencontrez des difficultés lors du montage, veuillez nous contacter.

Se incontri difficoltà durante il montaggio, ti preghiamo di contattarci.

Si encuentras alguna dificultad durante el ensamblaje, por favor contáctanos.

DISCLAIMER

Manufacturer and seller expressly disclaim any and all liability for personal injury, property damage or loss, whether direct, indirect, or incidental, resulting from the incorrect attachment, improper use, inadequate maintenance, unapproved modification, or neglect of this product.

Der Hersteller und Verkäufer lehnen ausdrücklich jegliche Haftung für Personenschäden, Sachschäden oder Verluste ab, egal ob direkt, indirekt oder zufällig, die durch falsche Anbringung, unsachgemäßen Gebrauch, unzureichende Wartung, nicht genehmigte Änderungen oder Vernachlässigung dieses Produkts entstehen.

El fabricante y vendedor renuncian expresamente a toda responsabilidad por lesiones personales, daños materiales o pérdidas, ya sean directos, indirectos o incidentales, derivados de la incorrecta colocación, uso inadecuado, mantenimiento insuficiente, modificación no aprobada o negligencia de este producto.

Il produttore e il venditore declinano espressamente ogni responsabilità per lesioni personali, danni materiali o perdite, dirette, indirette o incidentali, derivanti dall'errato fissaggio, uso improprio, manutenzione inadeguata, modifica non autorizzata o negligenza di questo prodotto.

Le fabricant et le vendeur déclinent expressément toute responsabilité en cas de blessures corporelles, de dommages matériels ou de pertes, qu'ils soient directs, indirects ou accessoires, résultant de la fixation incorrecte, de l'utilisation inappropriée, de l'entretien insuffisant, de la modification non approuvée ou de la négligence de ce produit.