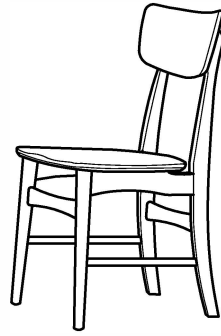
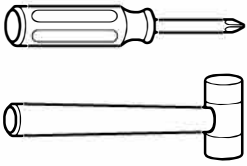


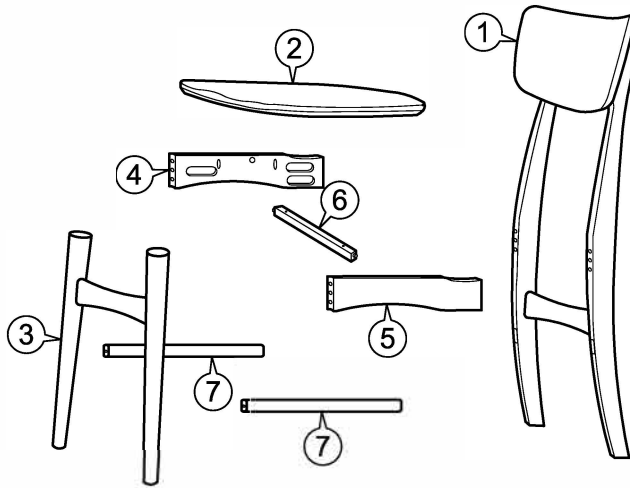
ASSEMBLY  
INSTRUCTIONS

ITEM : DINING CHAIR



Not Provided

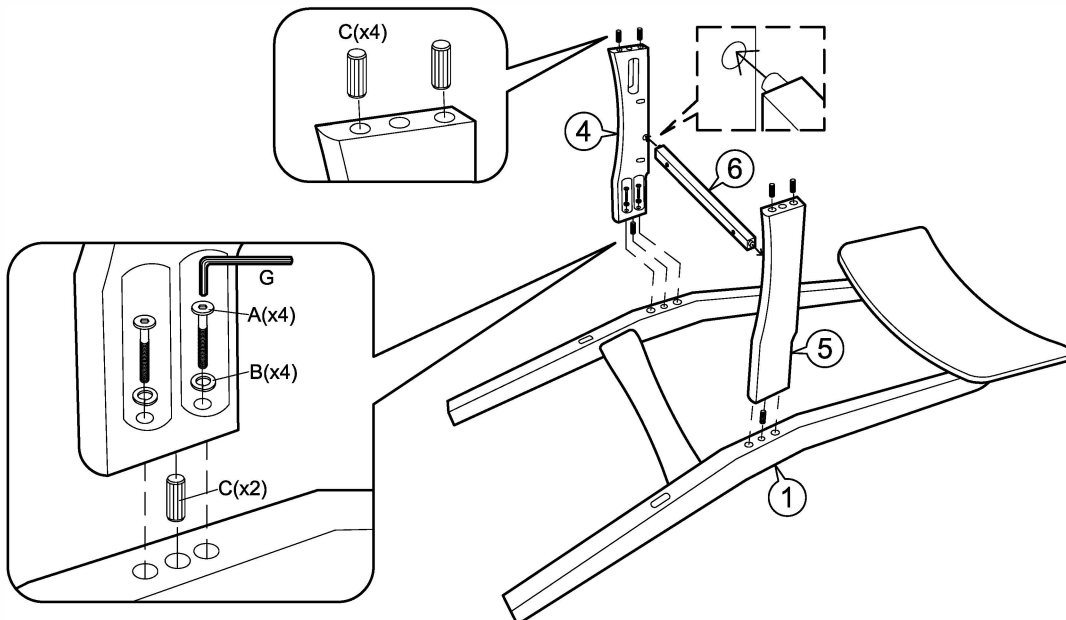
Part List : (x2pcs)



Hardware List

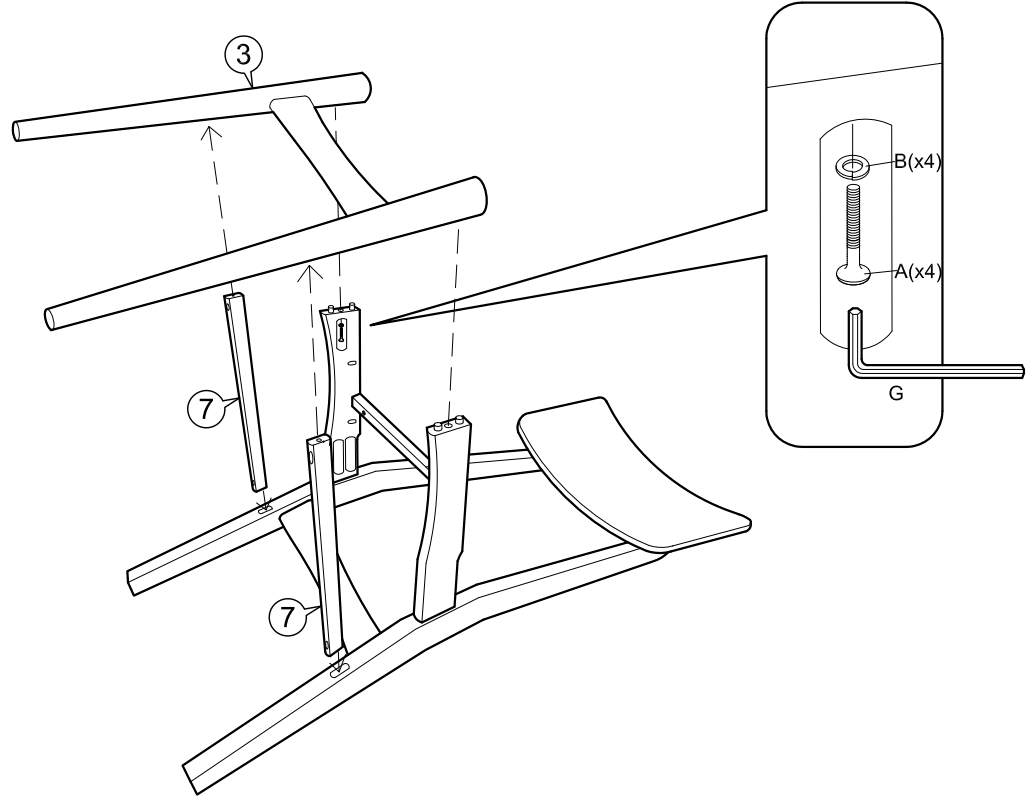
A	M6 x 50mm = 12	C	M8 x 30mm = 12	E	M4 x 38mm = 8	G	M4 x 110mm = 1
B	5/16" = 12	D	M4 x 32mm = 12	F	= 8	H	M8 x 25mm = 4

1

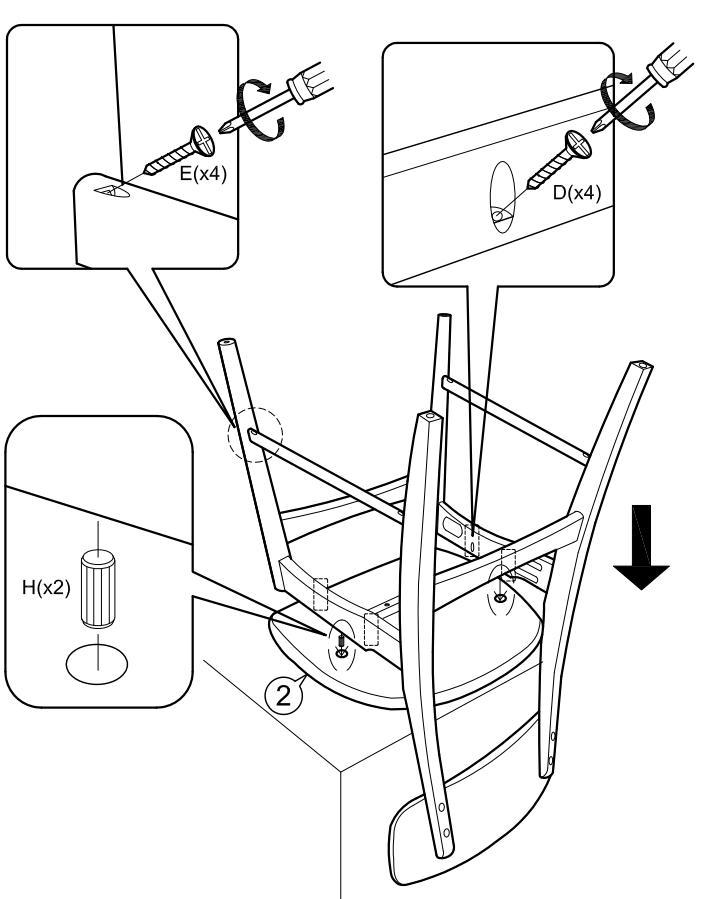


(x2)

2



3



4

