

ASSEMBLY INSTRUCTION

Note: Please read carefully and save these instructions, as you may need them at a later date.

IMPORTANT SAFETY INSTRUCTIONS: This product has a polarized plug (one blade is wider than the other) as a feature to reduce the risk of electric shock. This plug will fit in a polarized outlet only one way. If the plug does not fit fully in the outlet, reverse the plug. If it still does not fit, contact a qualified electrician. Never use with an extension cord unless plug can be fully inserted. Do not alter the plug.

GENERAL: All electrical connections must be in accordance with local and National Electrical Code (N.E.C.) standards. If you are unfamiliar with proper electrical wiring connections obtain the services of a qualified electrician.

Remove the lamp from the box and make sure that no parts are missing by referencing the illustrations on the installation instructions.

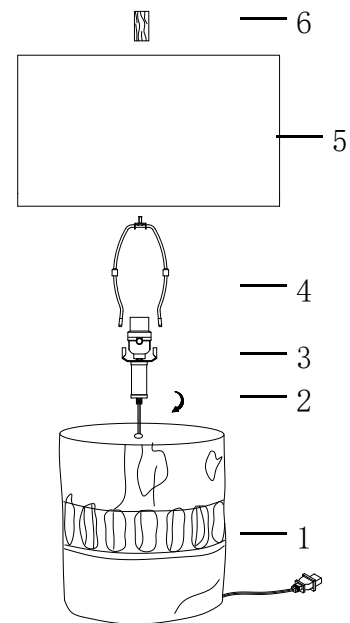
1. Fasten the Socket Assembly(2) onto the LAMP BASE(1).
Be careful not to twist the power cord, tighten securely.

2. Place HARP (4) onto saddle(3).

3. Put SHADE (5) onto HARP (4) and tighten with FINIAL (6).

4. Screw a light bulb into the lamp socket and make sure it does not exceed the maximum wattage specified on the lamp wattage rating label, **MAXIMUM 100 WATT**

This 3-way socket is only suited for 3-way bulb, Please do not install normal single-filament bulb into this socket. Otherwise, it may cause short circuit or bulb exploded.



1. LAMP BASE
2. SOCKET ASSEMBLY
3. SADDLE
4. HARP
5. SHADE
6. FINIAL