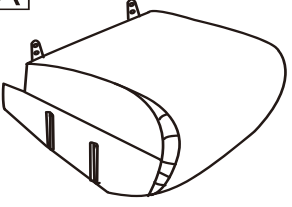
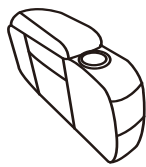

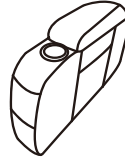


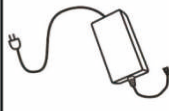




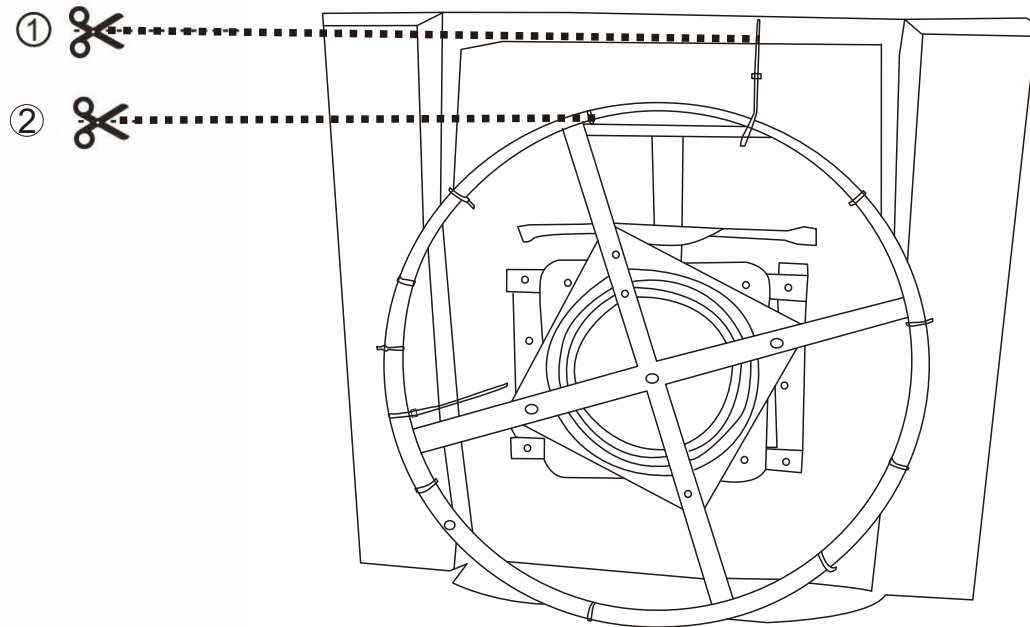
Massage Sofa Assembly Instruction

BOX A			BOX B					
A	C	B	C	D	E	F	G	H
								
Chair base	Left armrest	Backrest	Right armrest	Power cord	Remote control	Power Source	Lumbar Pillow	Control button

You will received totally 2 boxes, please make sure you get 1x (A) box and 1x (B) box before assembly.
Just feel free to chat us if you have any problem, we will try our best to help you solve the issue.

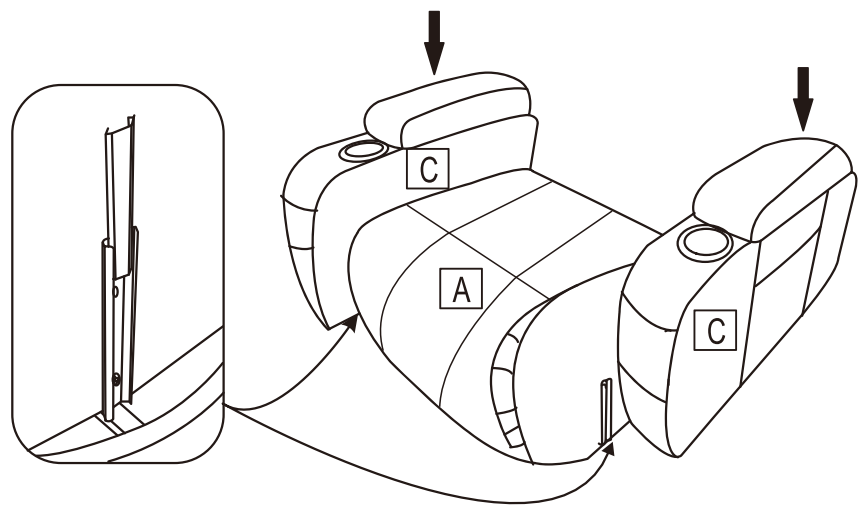
STEP 1

Turn over the base part, you will find the power wire are binding by two cable ties.
Please cut off the #1,#2 cable ties.

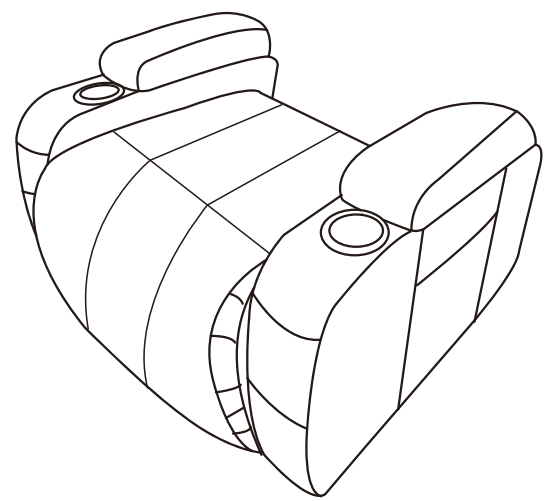


Massage Sofa Assembly Instruction

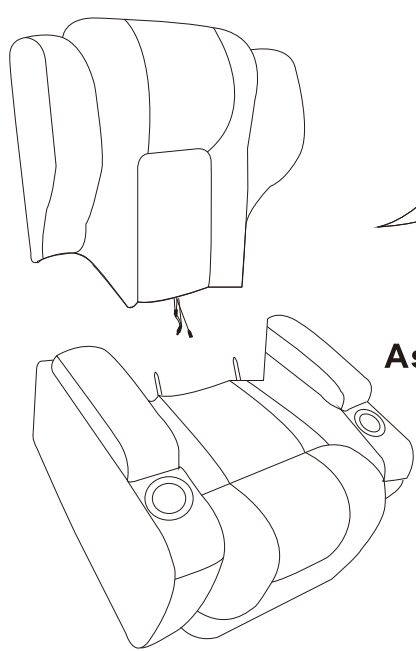
STEP 2



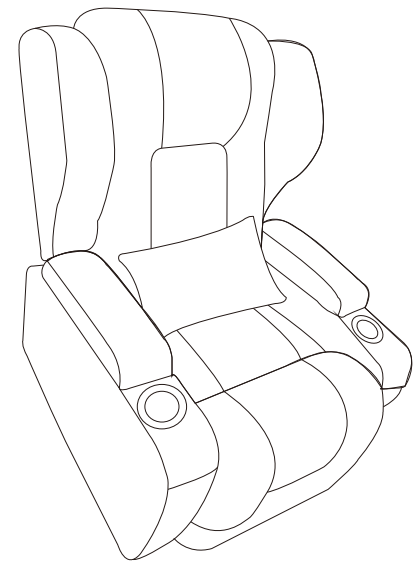
Assemble left and right armrests into the slots on the chair base.



STEP 3



Assemble backrest into the slots on the chair base.



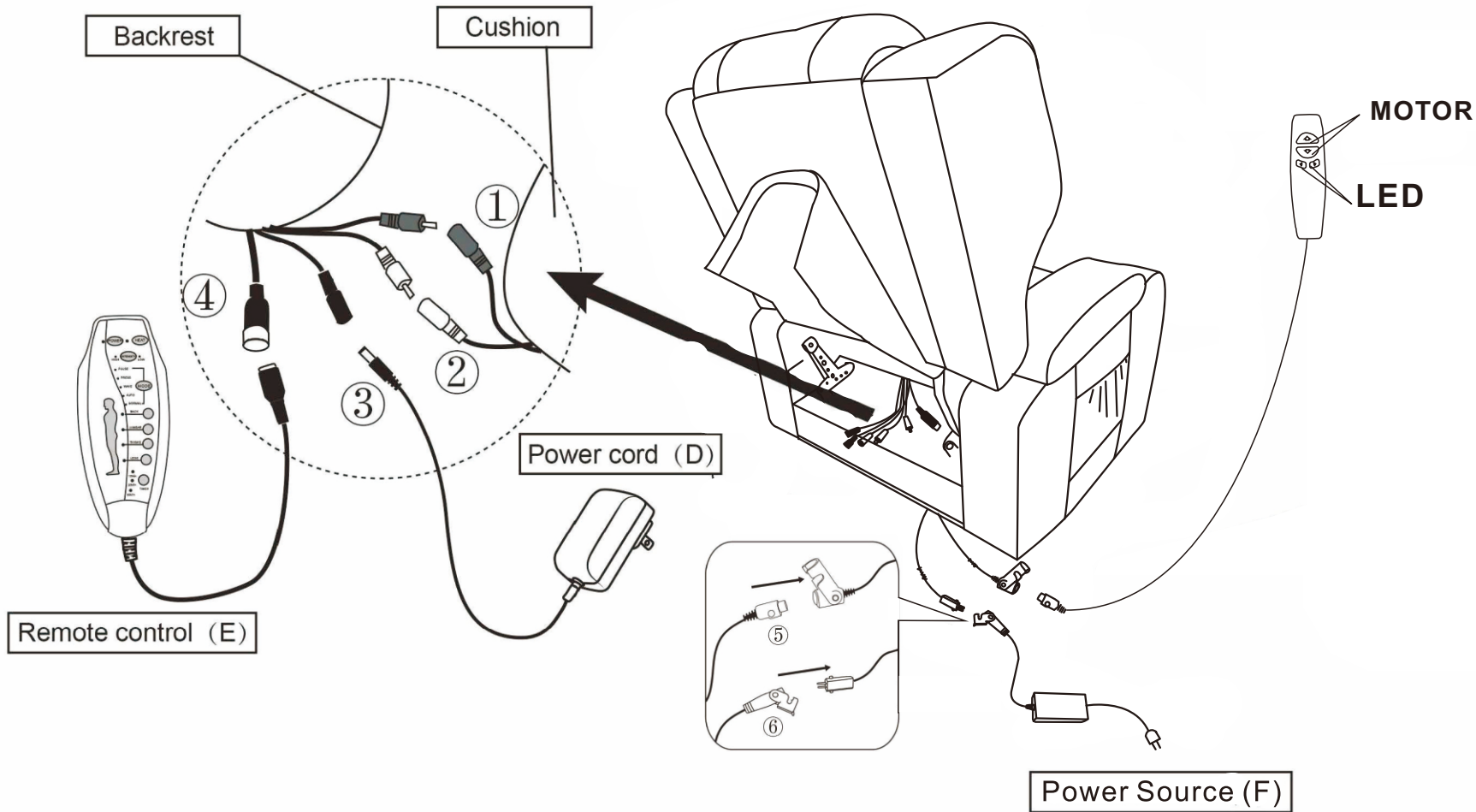
Massage Sofa Assembly Instruction

STEP 4

No.1 and No.2 wire connect with the backrest and chair base.
No.3 wire connects with backrest and power cord(D).
No.4 wire connects with backrest and remote control(E).
No.5 wire connect the motor and armrest with control button.
No.6 wire connect the motor and power source (F).

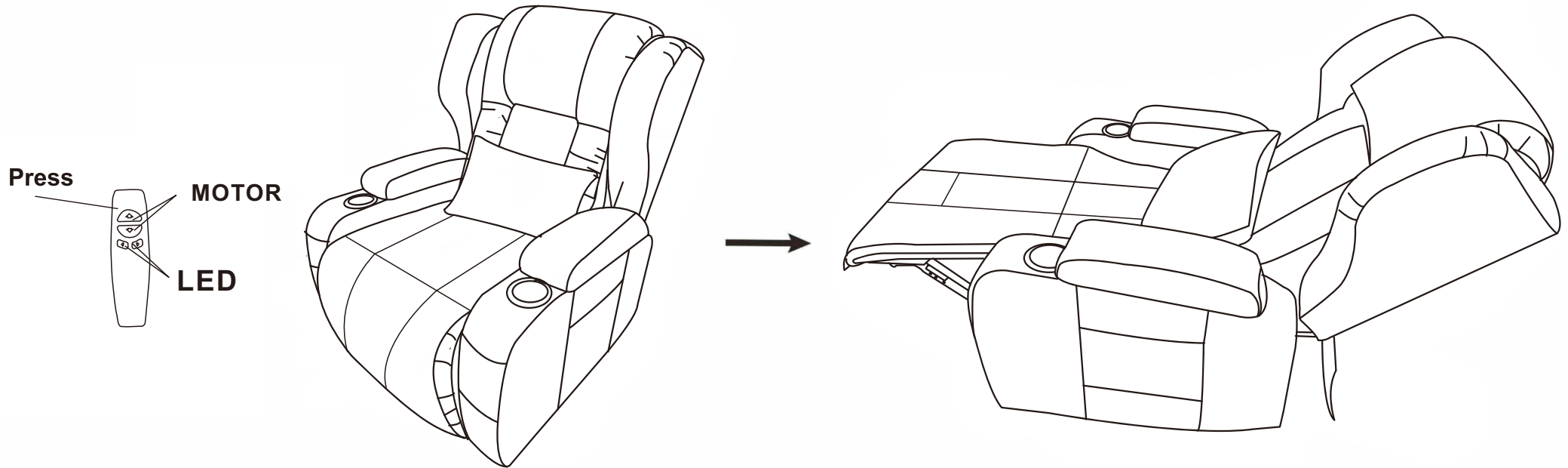
NOTE

- 1: Two same color wires connect.
- 2: Plug power cord and power source into outlet, then you can use all function.

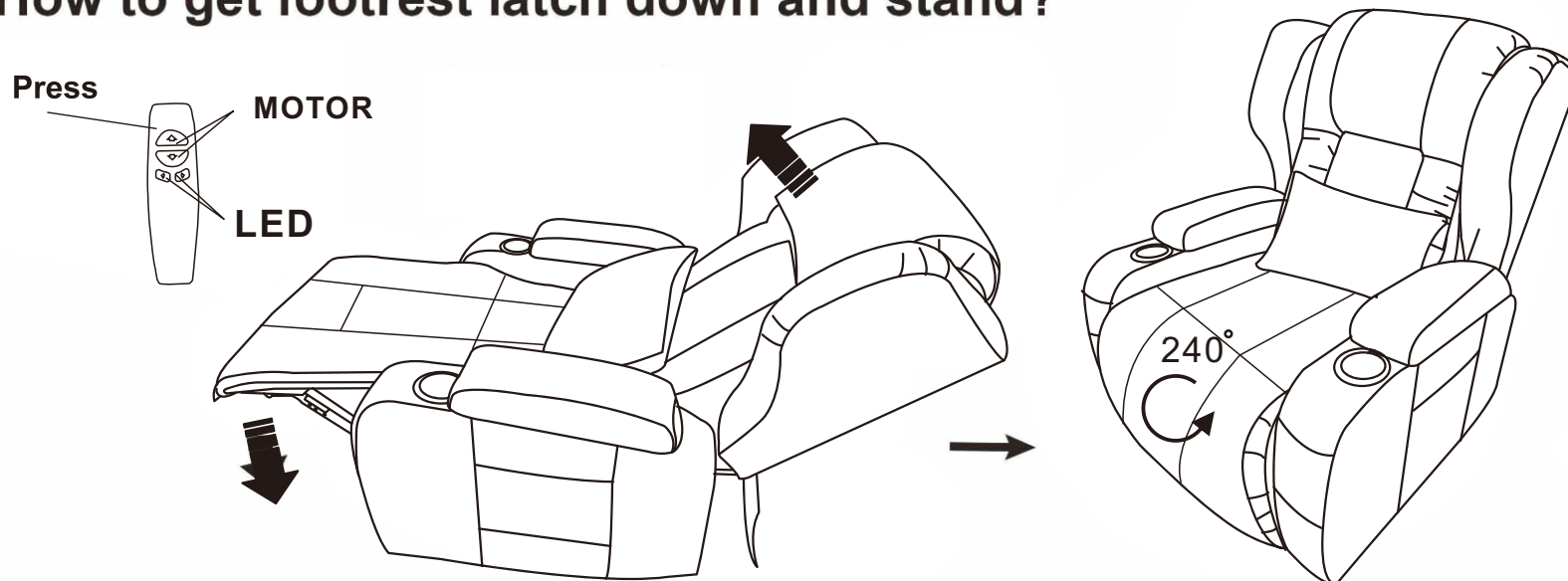


Massage Sofa Assembly Instruction

How to recline?

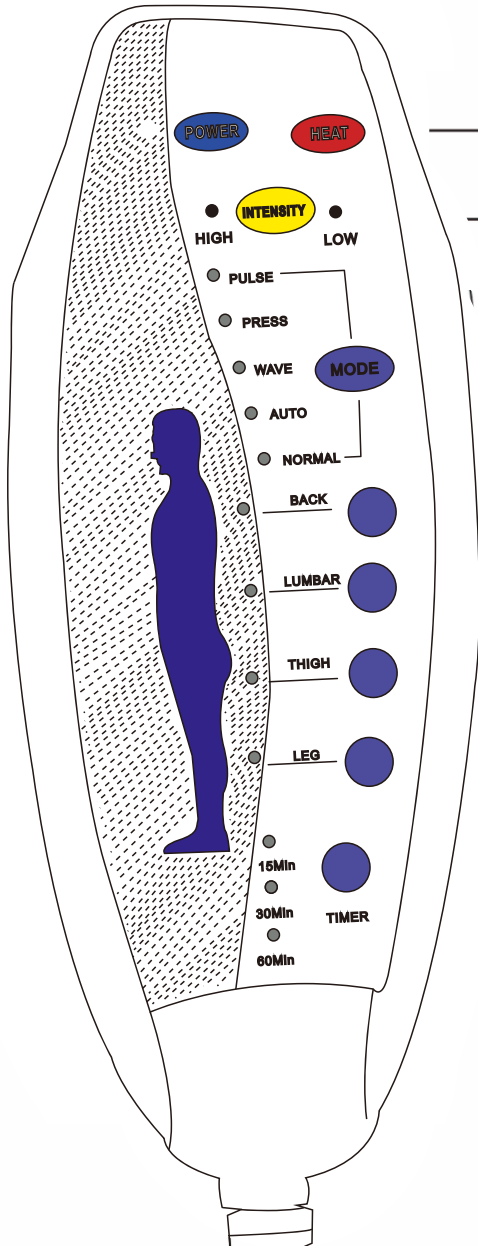


How to get footrest latch down and stand?



Massage Sofa Assembly Instruction

How to use remote control?



○ POWER : Turn on/off remote control

○ HEAT : Turn on/off heat function for lumbar part only.

○ INTENSITY : Control massage function from low to high

○ MODE : Choose one massage mode you like(pulse, press,wave,auto, normal)

○ You can choose 1-4 massage parts(back, lumbar, thighs, legs)to enjoy.

○ TIMER: 5 mins/30 mins/60 mins

Massage Sofa Assembly Instruction

FAQ

1.Q: Missing parts

A: Please check if you have already received two boxes.If so, kindly send messages to let us know missing part name regarding this instruction, we will send replacement for you asap.

2.Q: Some parts damaged when arrived

A: Please send damaged parts photos to us as message attachment, we will check and offer good solution soon.

3.Q: The lift and reclining function does not work

A: Please check if all wires connect correctly, the power source is defective if indicator does not light on, or else, chair base is defective, kindly send messages to describe the problem then we will send replacement chair base for you.

4. Q: The chair is stuck on lifting or reclining position, and there is no response when you press the lifting or reclining button.

A: Please kindly check if the power source (F) and control panel are connected well. Sometimes the power source (F) may fall off from the wire at armrest. If they connected well, then check the left motor having some anomaly, like some noise comes out when you press the lift and recline button. If you can make sure the motor is defective, please contact us for replace motor or base of chair.

5. Q: The vibration massage functions is not working.

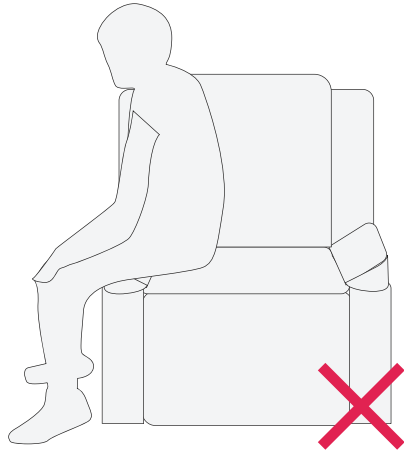
A: Please check first if all wires at the back of recliner chair are connected correctly. The power cord also been plug into the wall outlet. Then please check the lights on when you press "POWER" button on the remote. If no, the remote is defective and you can contact us for new one to replace.

6. Q: The Heat function not work or can't feel.

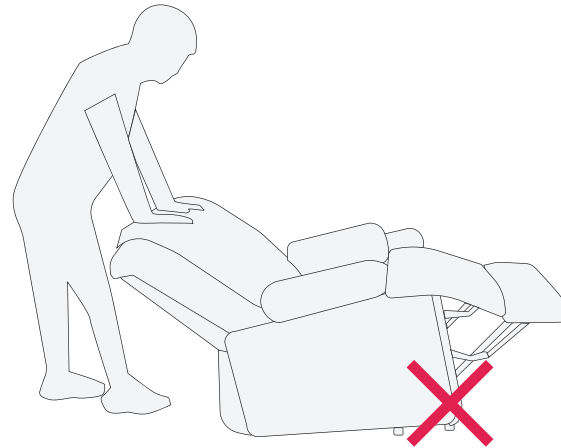
A: Please check all wires connection as same as question 5 first. If the remote also works well, you will need wait for 5-10 mins after you press the "HEAT" button. The heating is only works at lumbar position and the heat temperature isn't very hot.

Warning

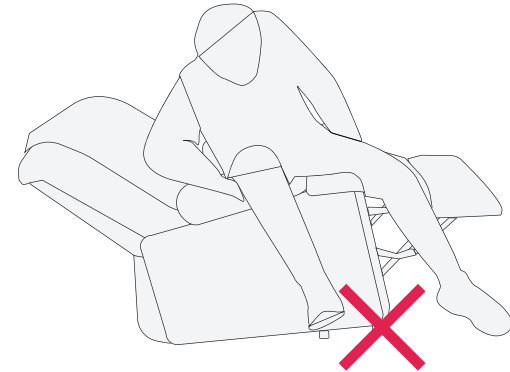
Do not sit on or press armrest



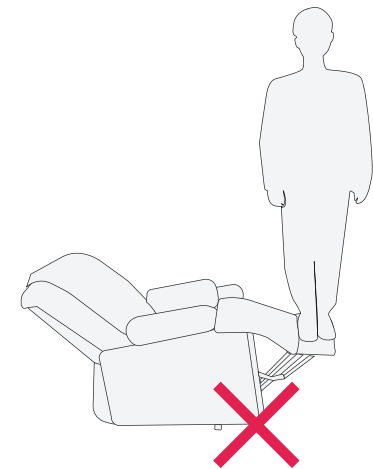
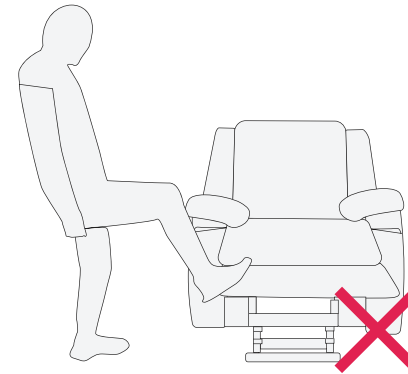
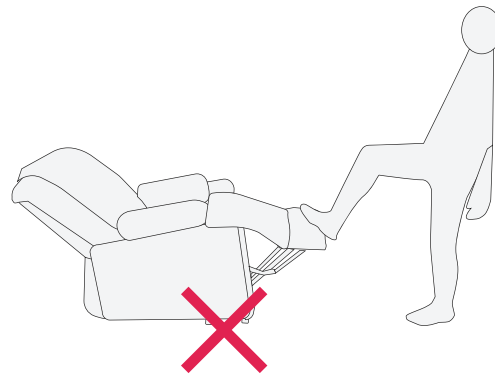
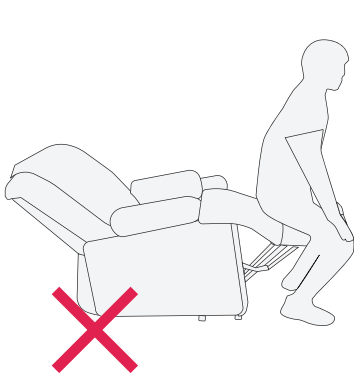
Do not press backrest after recline



Do not get off the chair after recline

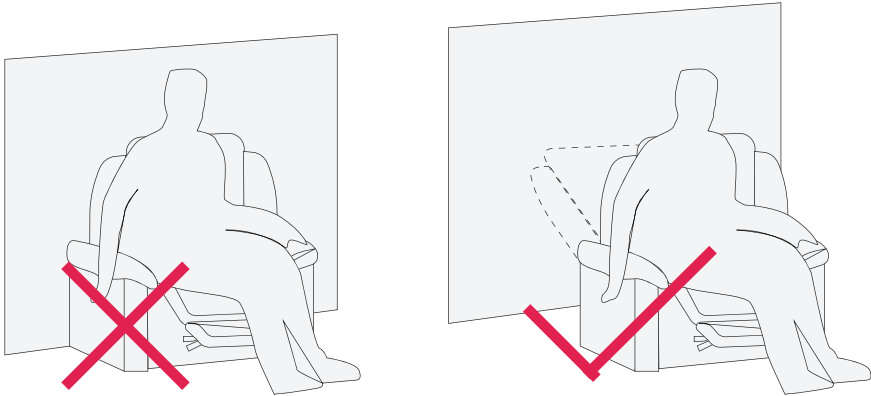


Do not sit/kick/stand on the footrest after lift up

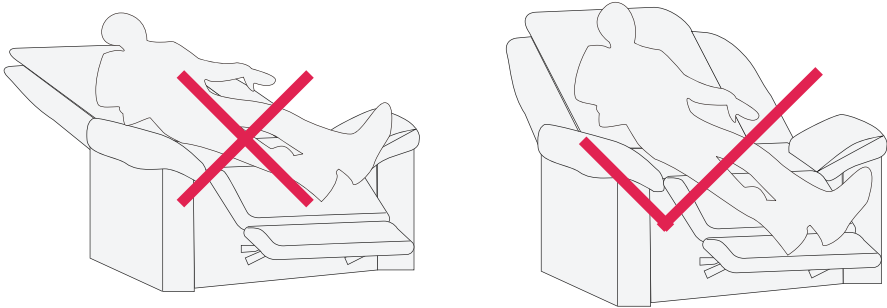


Warning

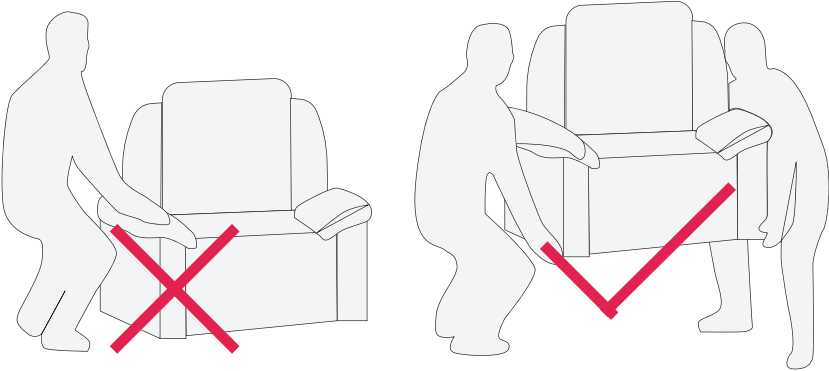
Leave enough space between chair back and wall before recline



Don't lean too far back in case of topple over



2-Person lift



Do not move chair when it's reclining

