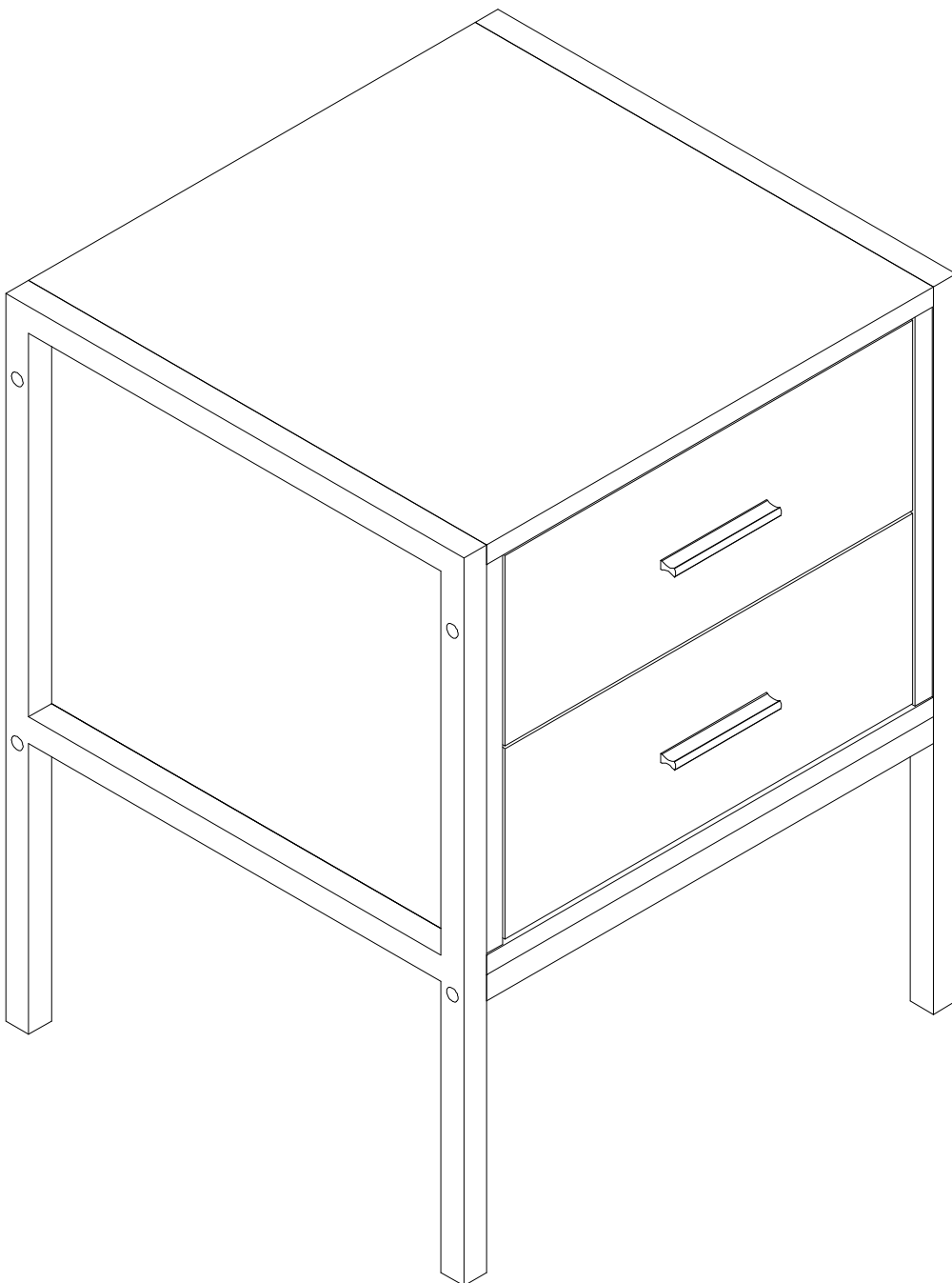


2 DRAWER BEDSIDE

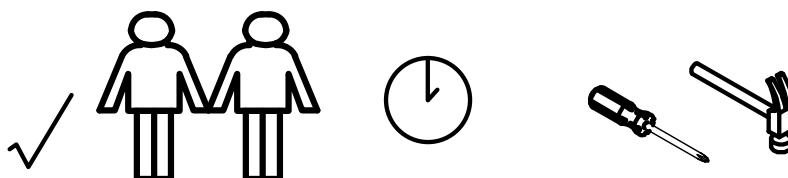
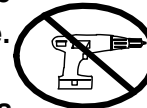
ASSEMBLY INSTRUCTION - Please Keep For Future Reference



Safety and Care Advice

IMPORTANT - Please Read This Instruction Carefully Before Assembly.

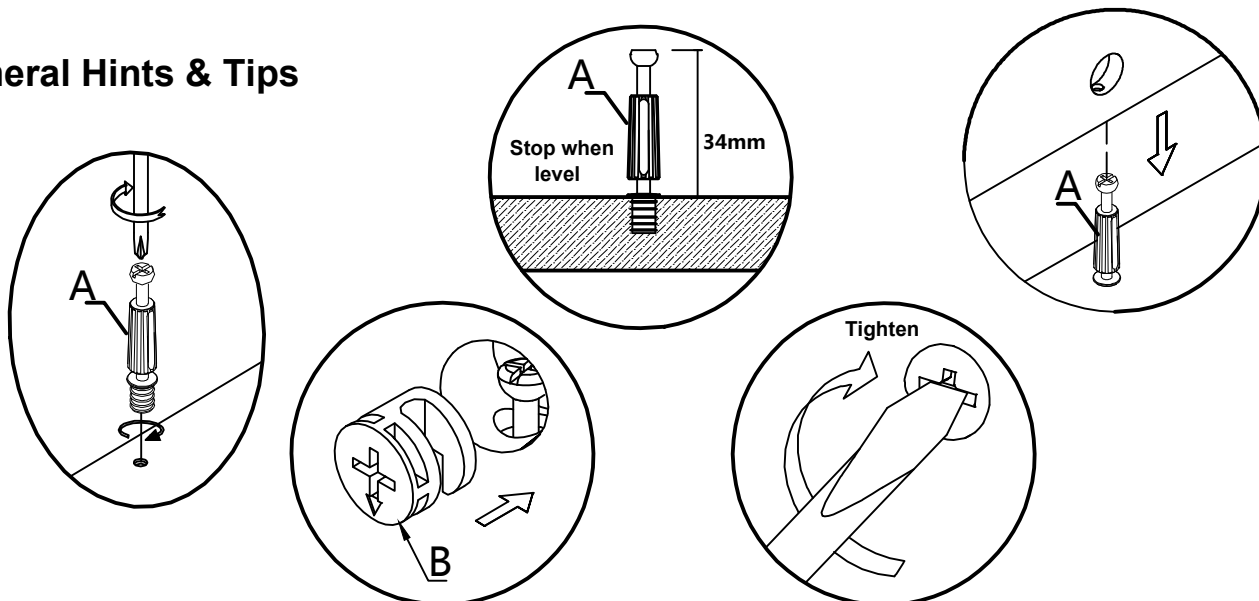
- Check you have all the components and tools listed on page 3.
- Remove all settings from the plastic bags and separate them into their groups.
- Keep children and animals away from the work area, small parts could choke if swallowed.
- Make sure you have enough space to layout the parts before assembly.
- Do not stand or put weight on the product, this could cause damage.
- Assemble the item as close to it's intended position (in the same room) as possible.
- Assemble on a soft level surface to avoid damaging the unit.
- Parts of the assembly will be easier with 2 people.
- Do not use power drill/drivers for assembly, or the unit may be damaged.
- Dispose of all packaging carefully and responsibly.



CARE and MAINTENANCE

- Only clean using a damp cloth and mild detergent, do not use bleach or abrasive cleaners.
- From time to time check that there are no loose screws on this unit.
- This product should not be discarded with household waste. Take to your local authority waste disposal center.

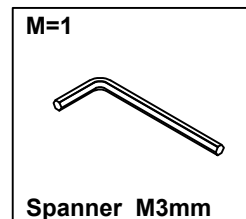
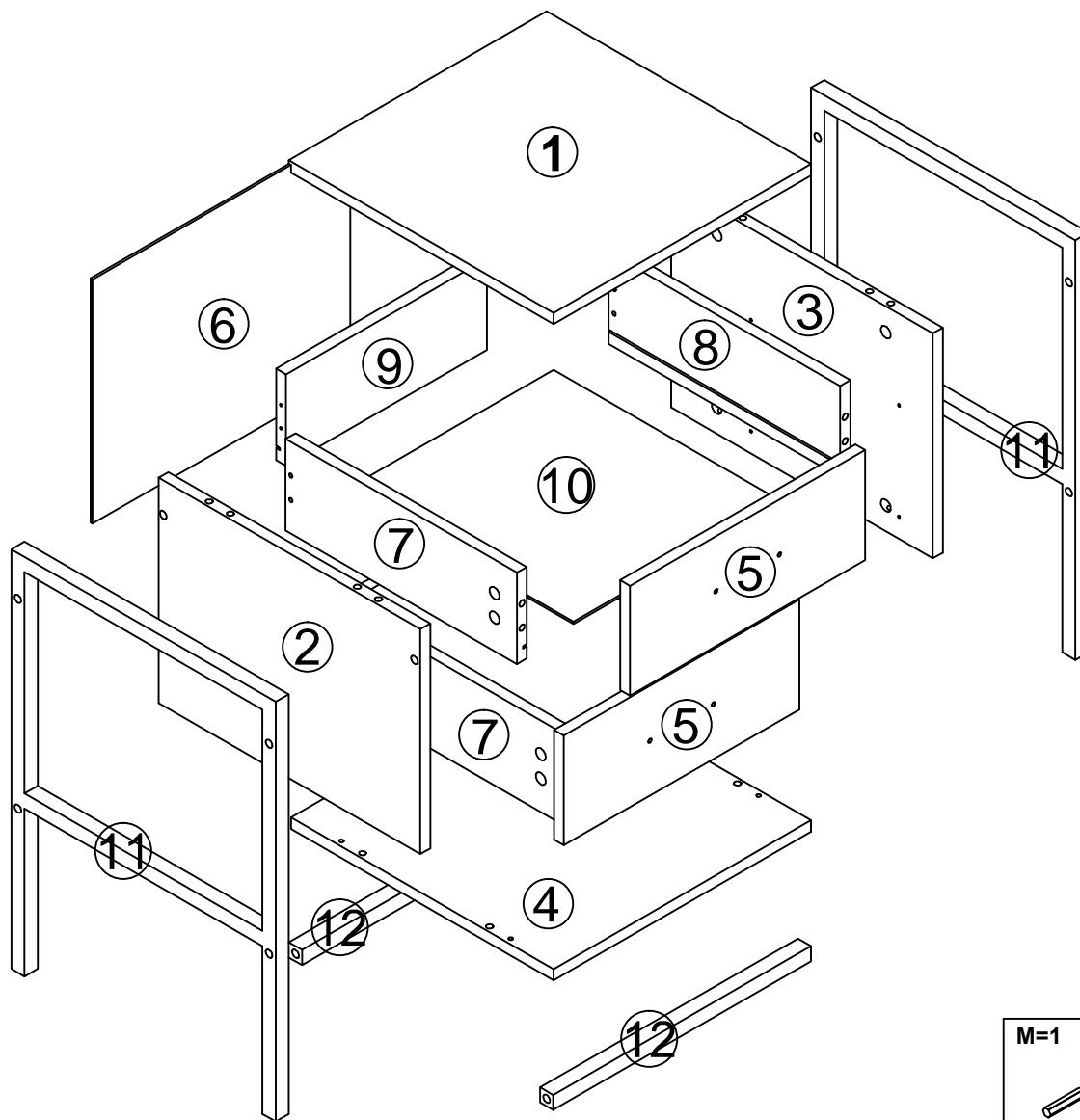
General Hints & Tips

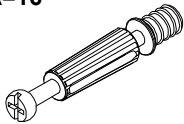
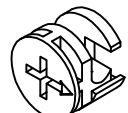
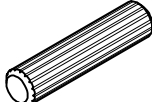
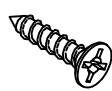
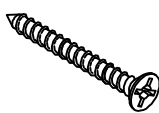
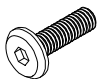


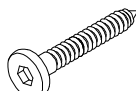





Components and Tools

IMPORTANT - Please Check If You Have All The Components and Tools.

Note: The quantities below are the correct amount to complete the assembly. In some cases more pieces may be supplied than are required.

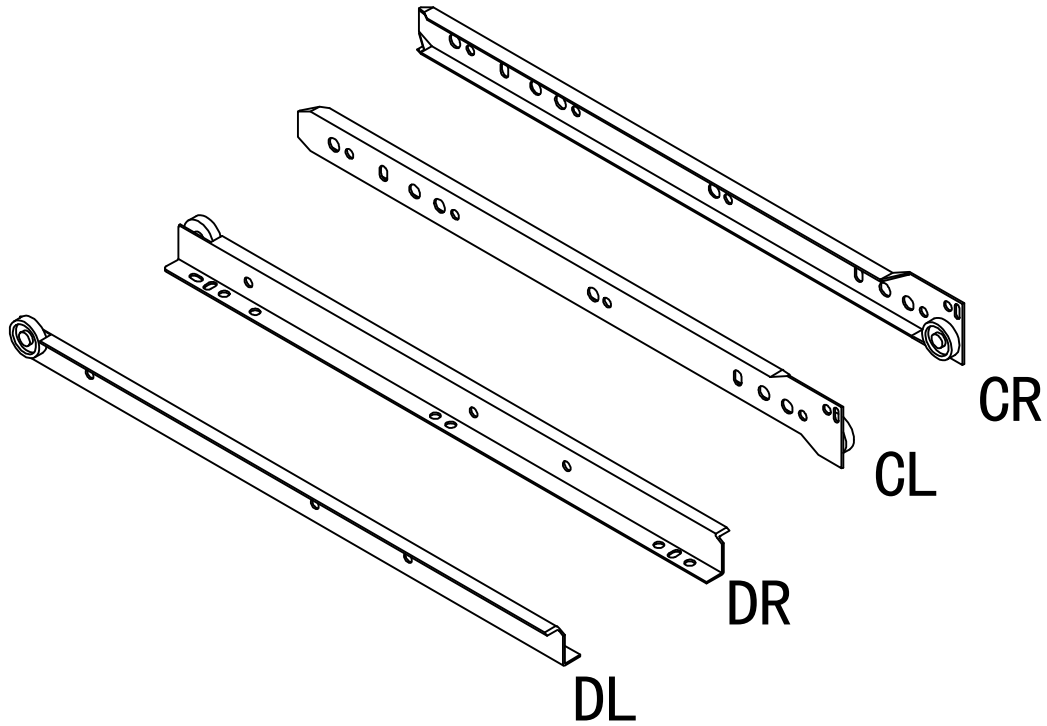


A=16  Peg M6*34mm	B=16  Lock M15*12mm	C=8  Dowel M8*30mm	D=16  Screw M3.5*14mm	E=8  Screw M4*38	F=4  Screw M6*30
G=12  Pin	H=4  Screw M4*18	I=4  M4X30MM SCREW	J=2  Handle L96mm	K=1  Spanner M4mm	CR CL DR DL=2  Drawer Runner

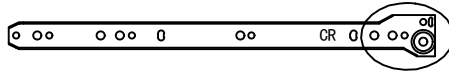
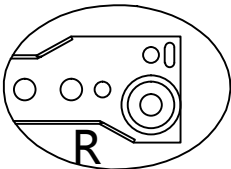
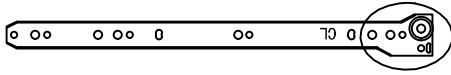
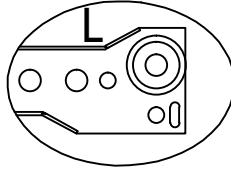
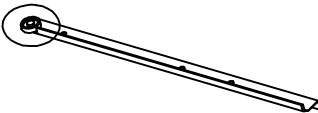
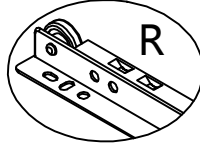
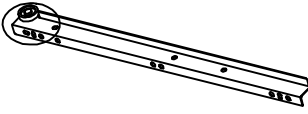
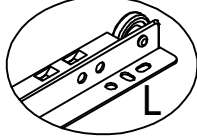
Drawer Runner Instruction

IMPORTANT - Please Read It Carefully.

NOTE: 1 PAIR DRAWER RUNNER INCLUDES 4 PIECES.



Fittings (not to scale)

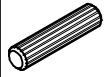
NO.	DESCRIPTION	QTY		
CR	Outer Drawer Runner - Right	2PC		
CL	Outer Drawer Runner - Left	2PC		
DR	Inner Drawer Runner - Right	2PC		
DL	Inner Drawer Runner - Left	2PC		

Assembly Instruction

Step 1

C=8

D=4

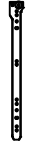


Dowel
M8*30mm

Screw
M3.5*14mm

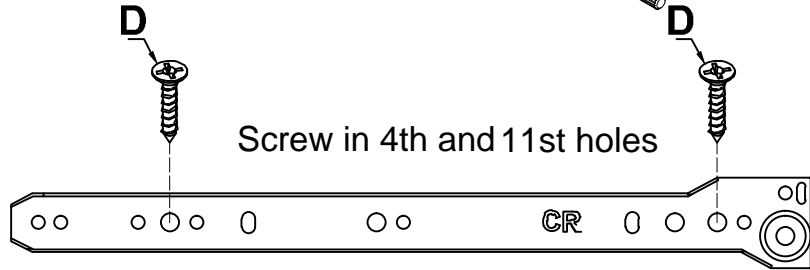
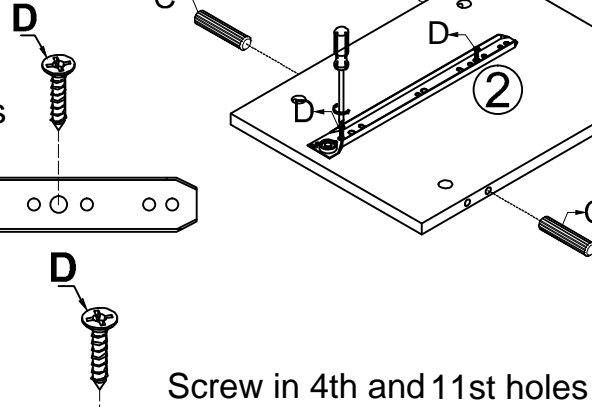
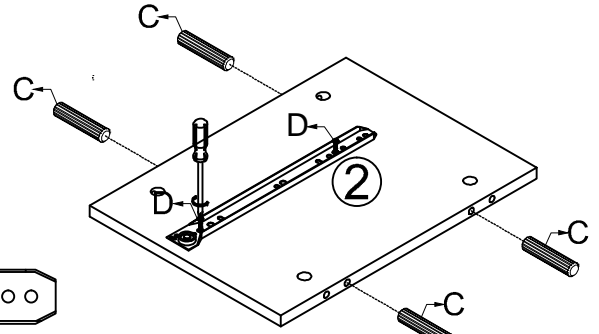
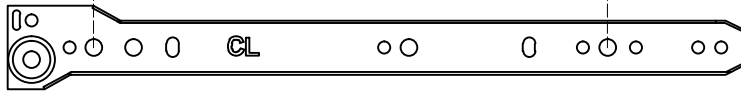
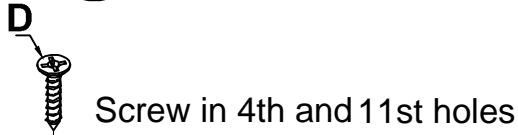
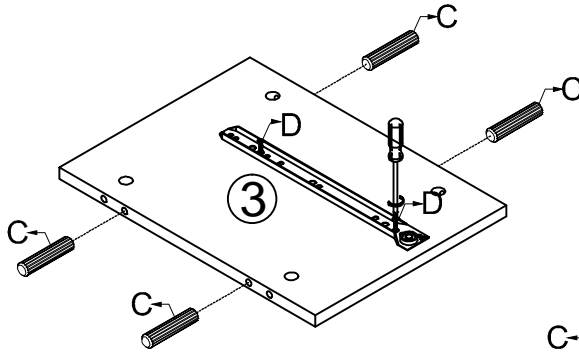
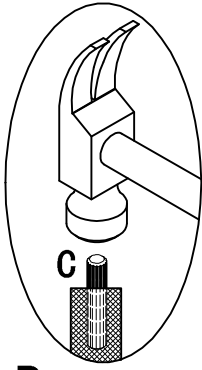
CL=1

CR=1



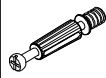
Runner

Runner

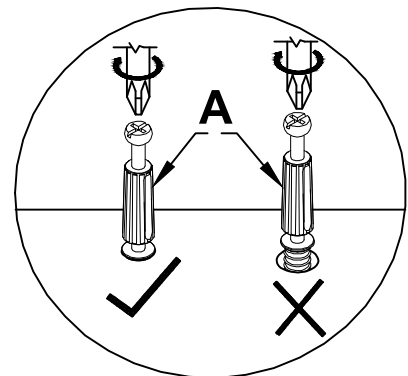
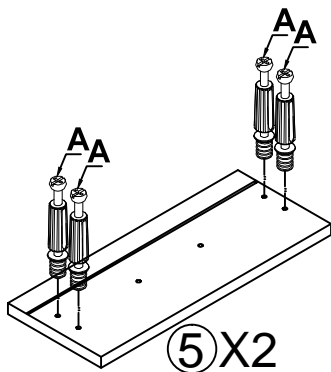
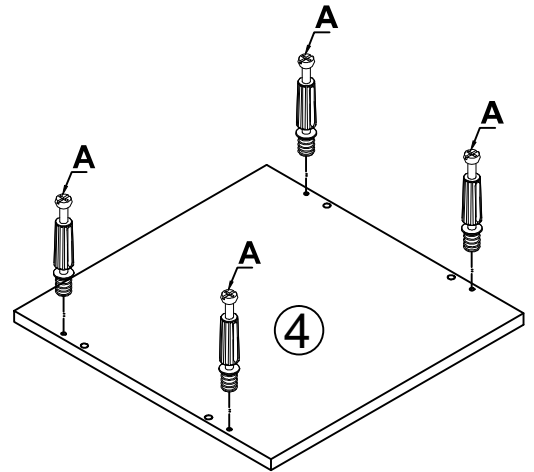
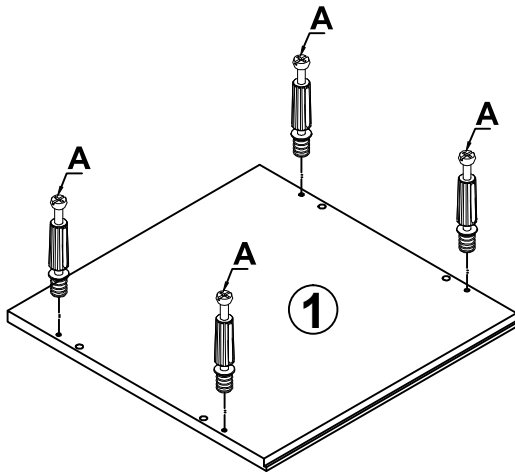


Step 2

A=16



Peg
M6*34mm



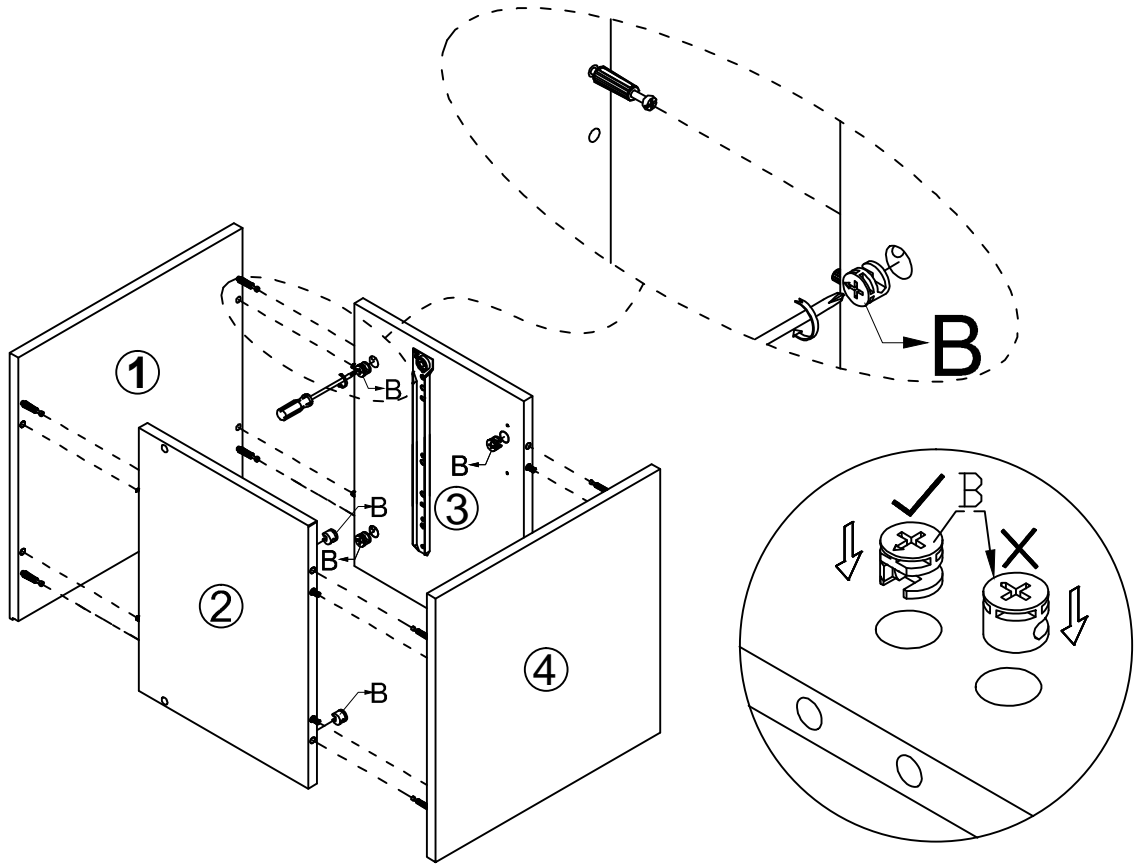
Assembly Instruction

Step 3

B=8



Lock



Step 4

CL=1

CR=1



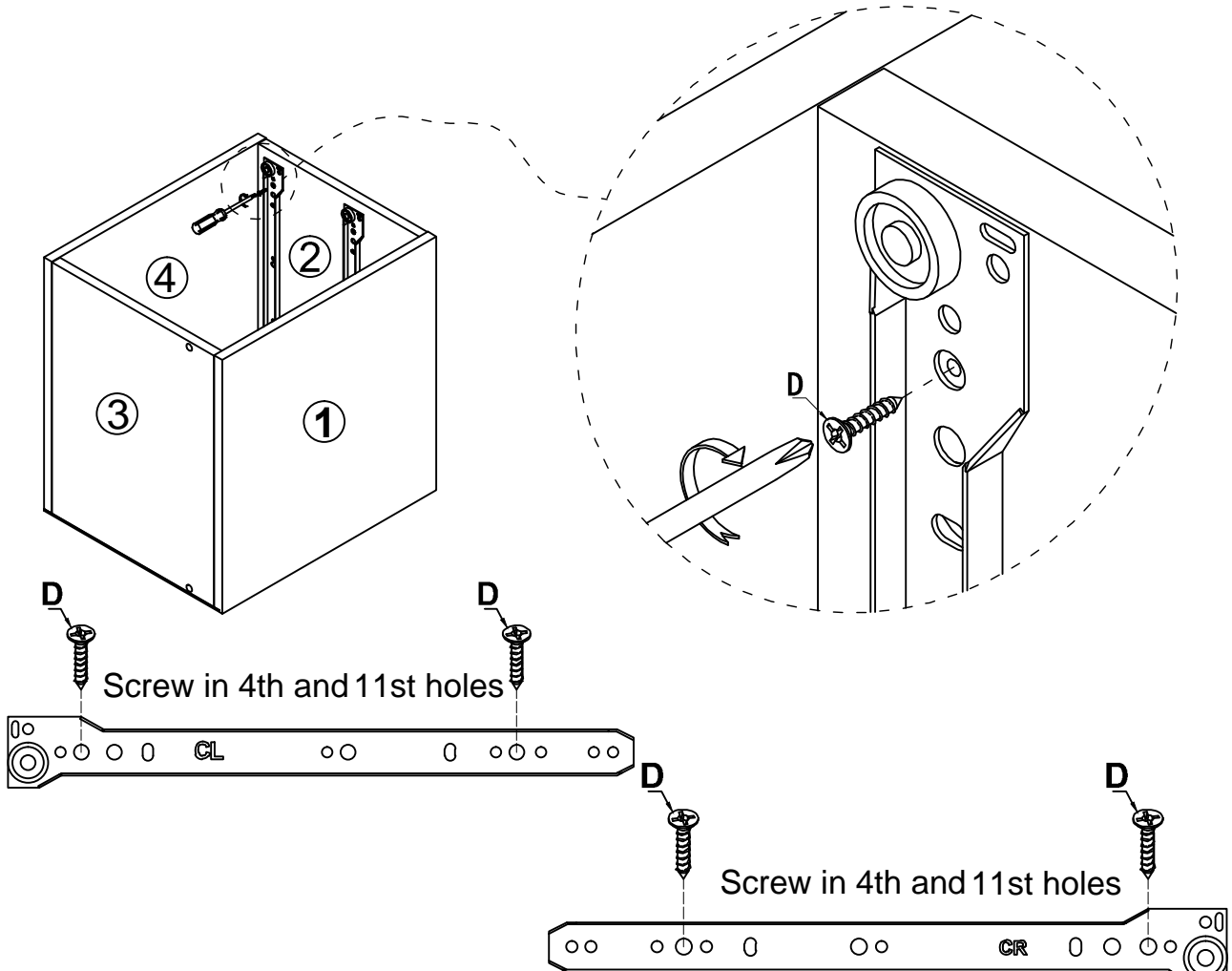
Runner

Runner

D=4



Screw
M3.5*14mm



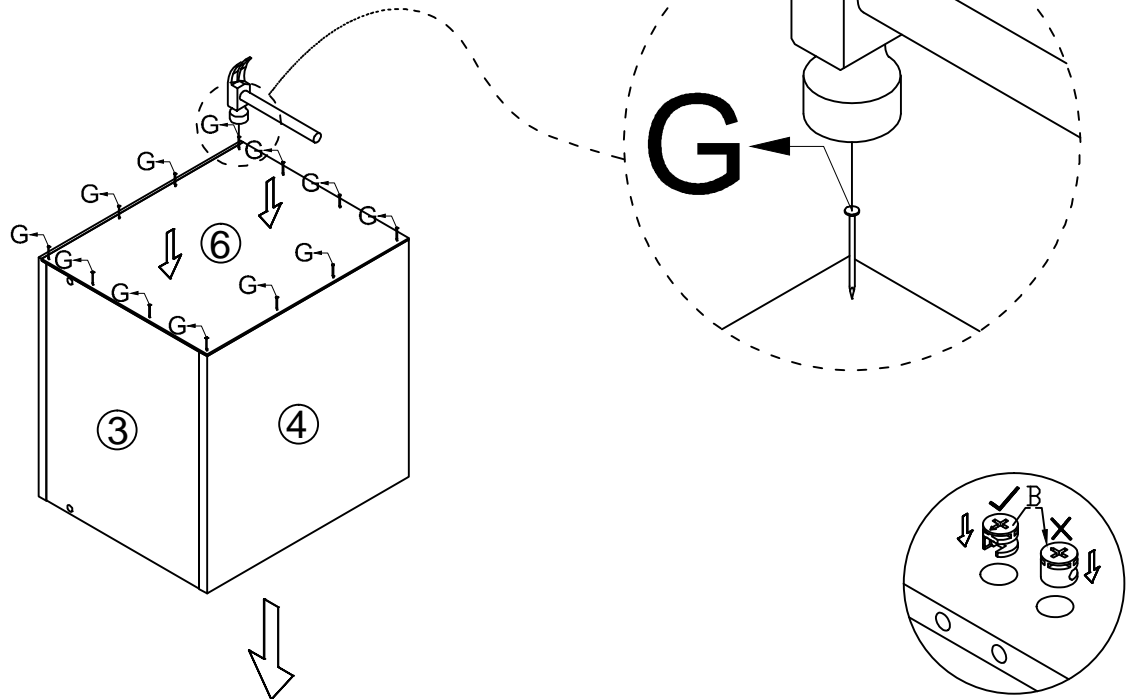
Assembly Instruction

Step 5

G=12



Pin

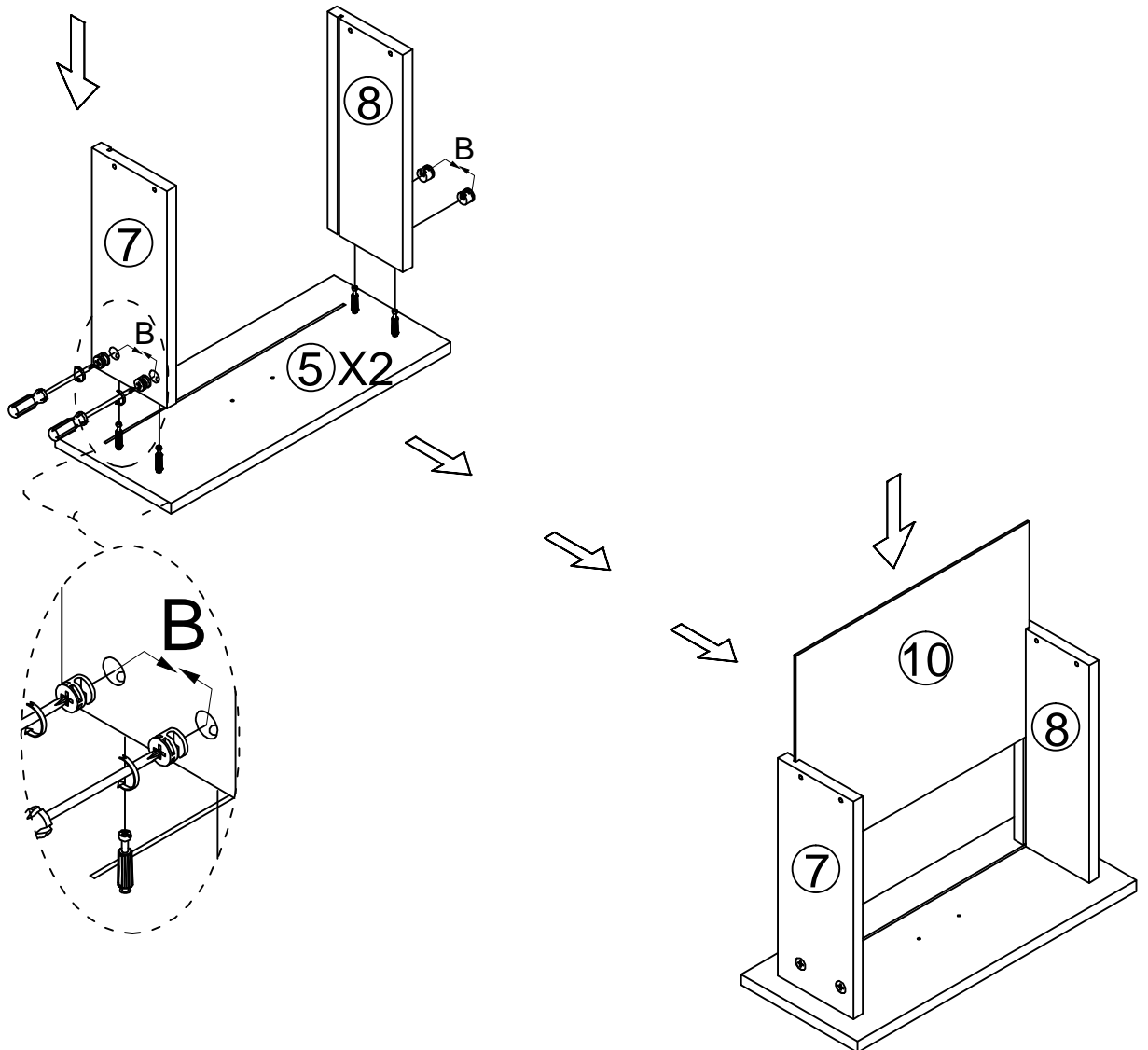


Step 6

B=8



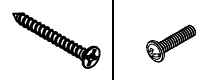
Lock



Assembly Instruction

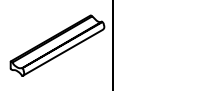
Step 7

E=8 H=4

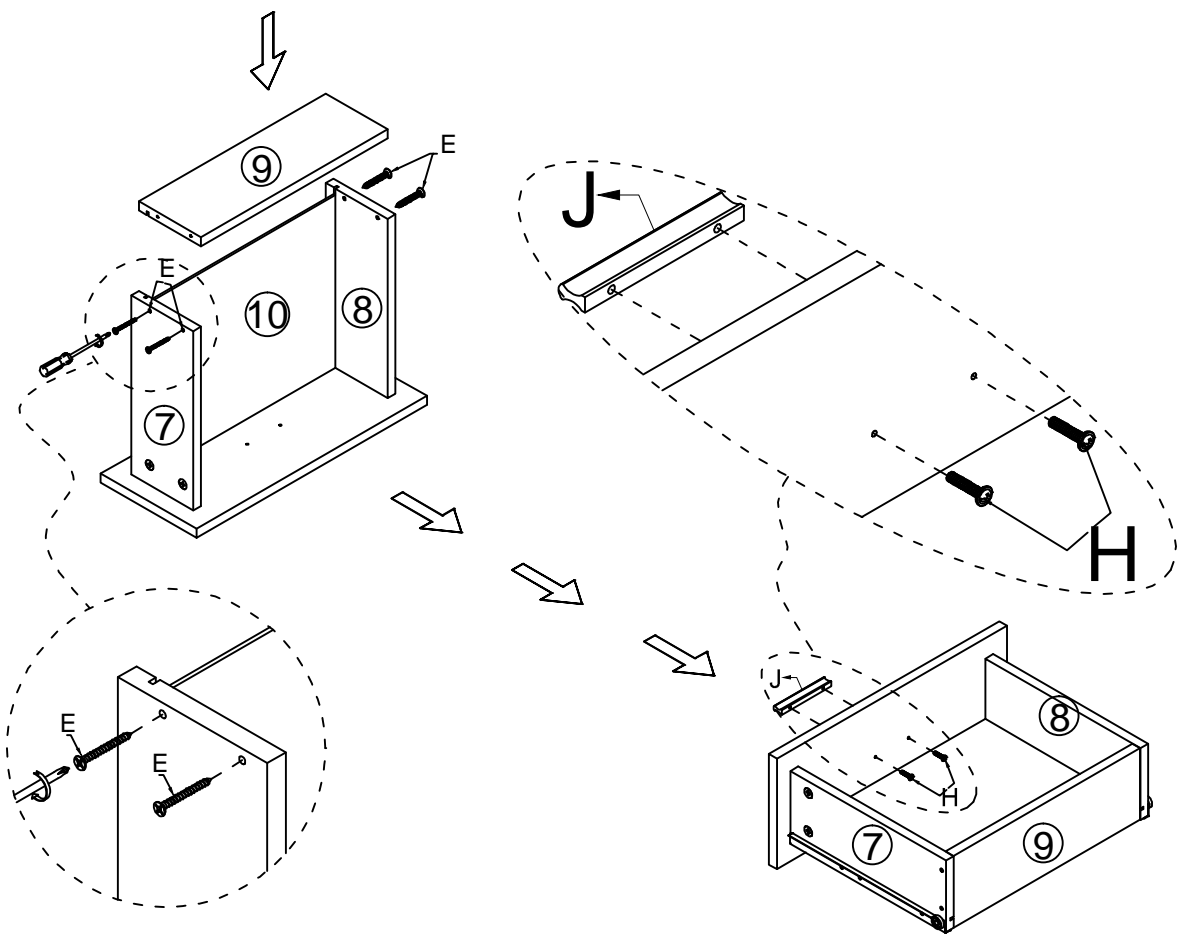


Screw M4*38 Screw M4*18

J=2

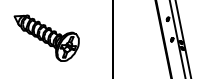


Handle L96mm



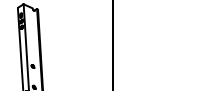
Step 8

D=8 DR=2

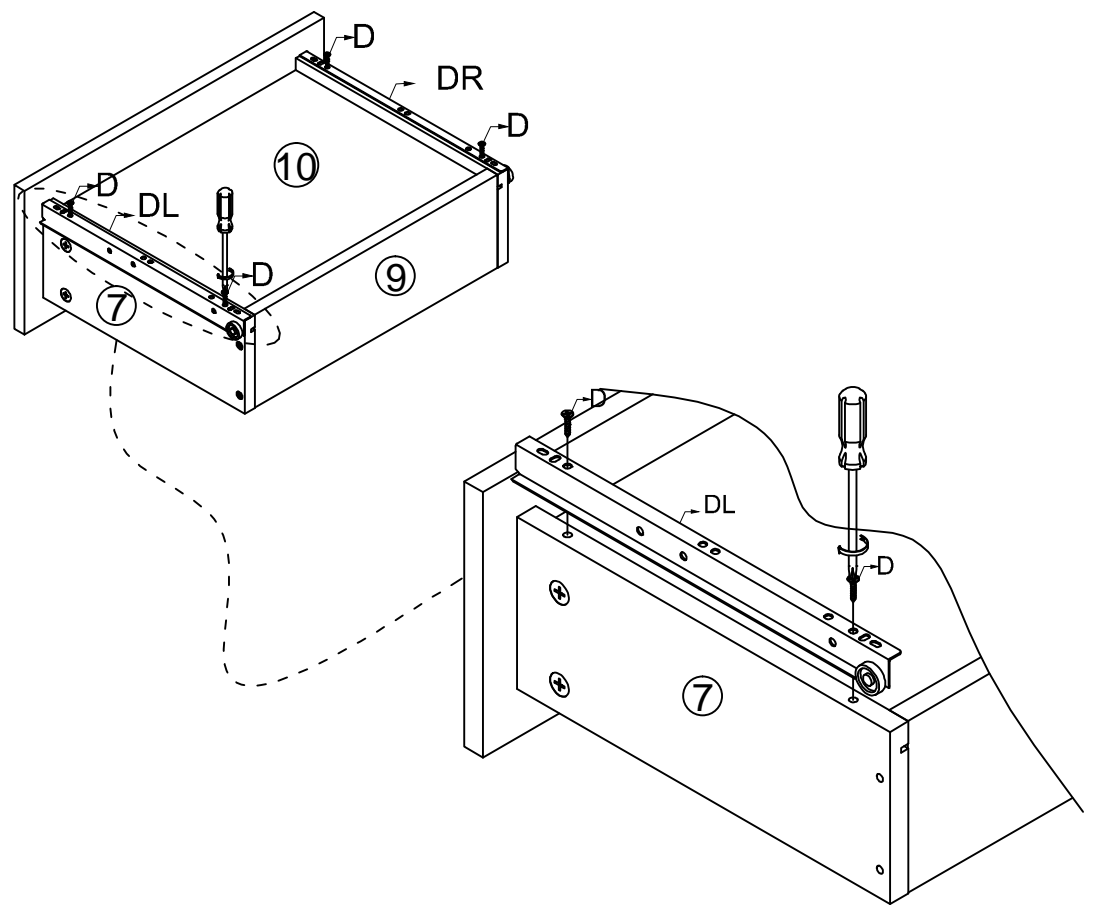


Screw M3.5*14mm Runner

DL=2




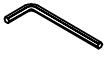


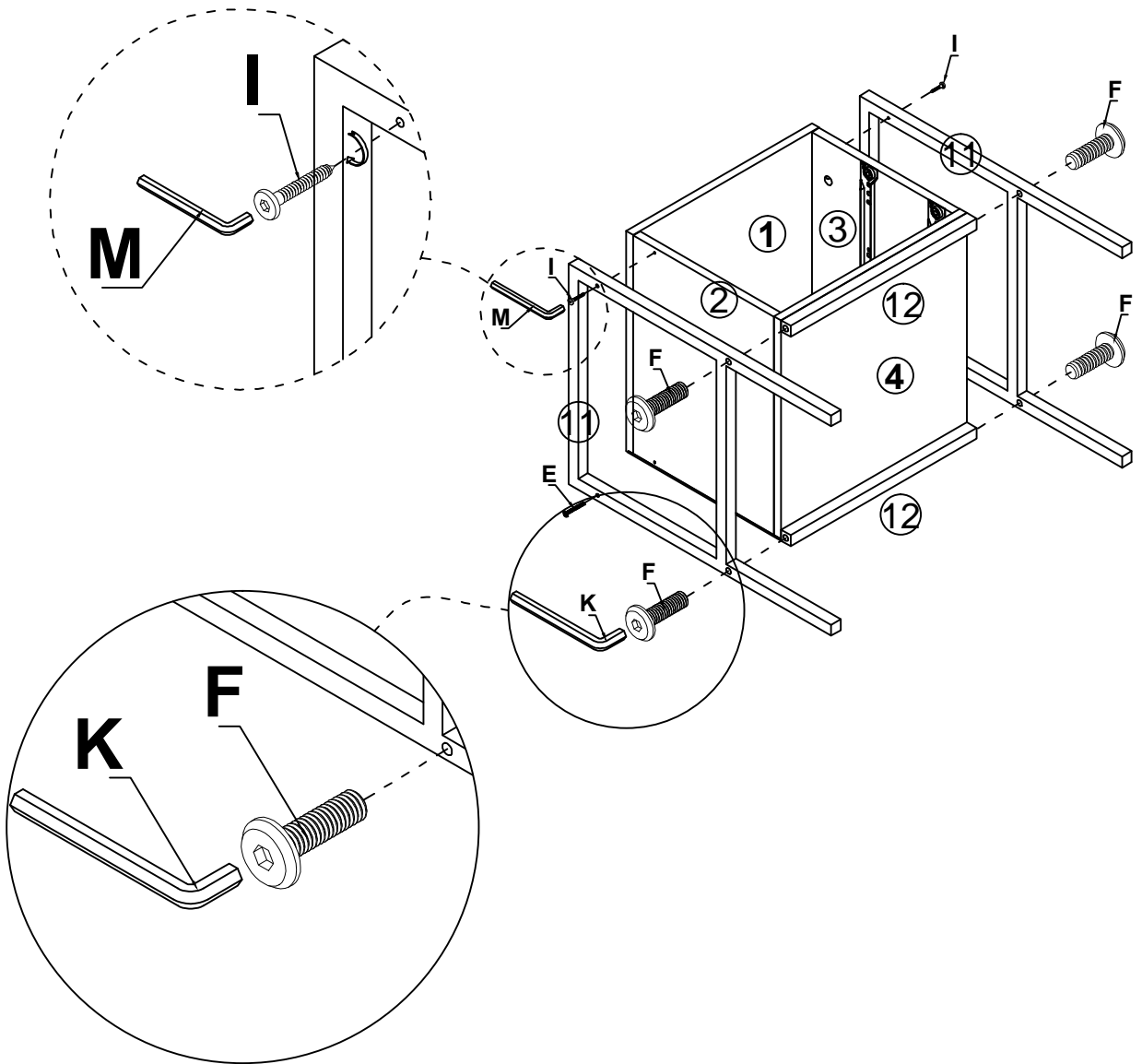
Runner



Assembly Instruction

Step 9

I=4	F=4
	
M4X30MM SCREW	Screw M6*30
K=1	M=1
	
Spanner M4mm	Spanner M3mm



Step 10

