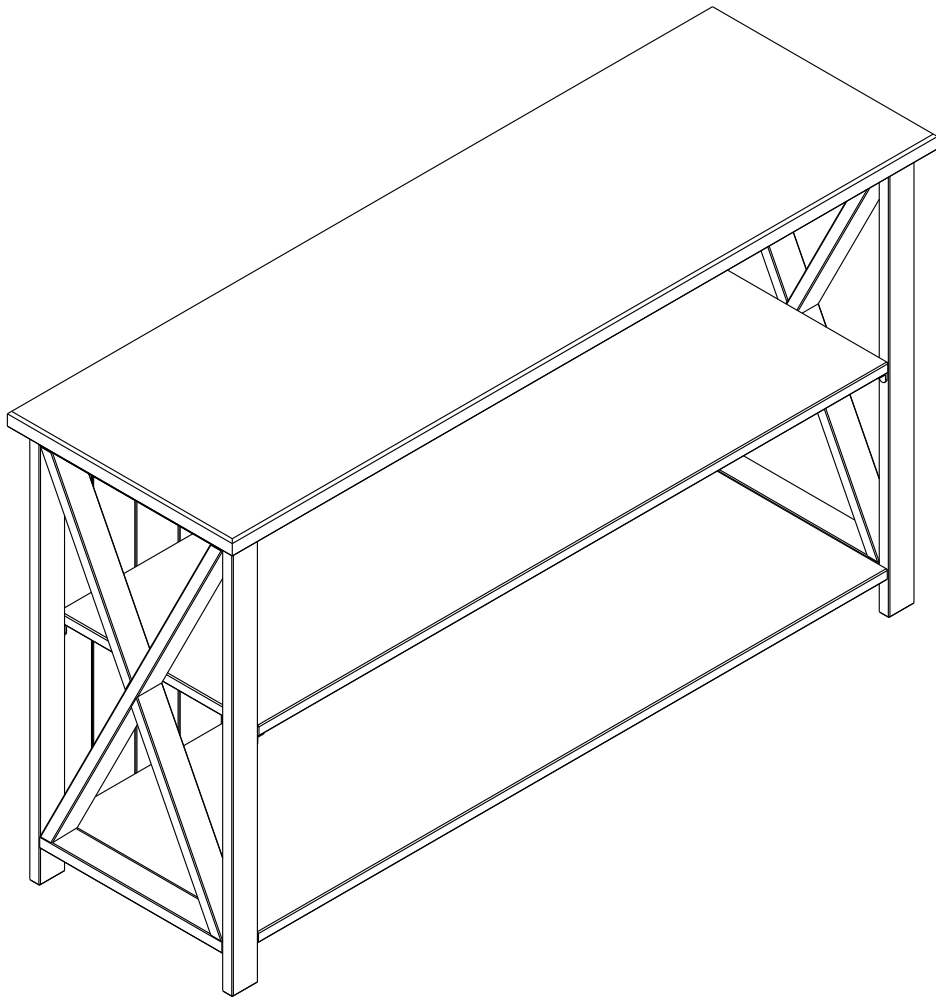
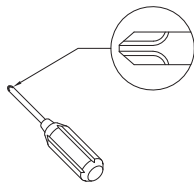


Assembly Instructions

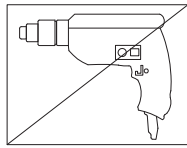


General Assembly Guidelines

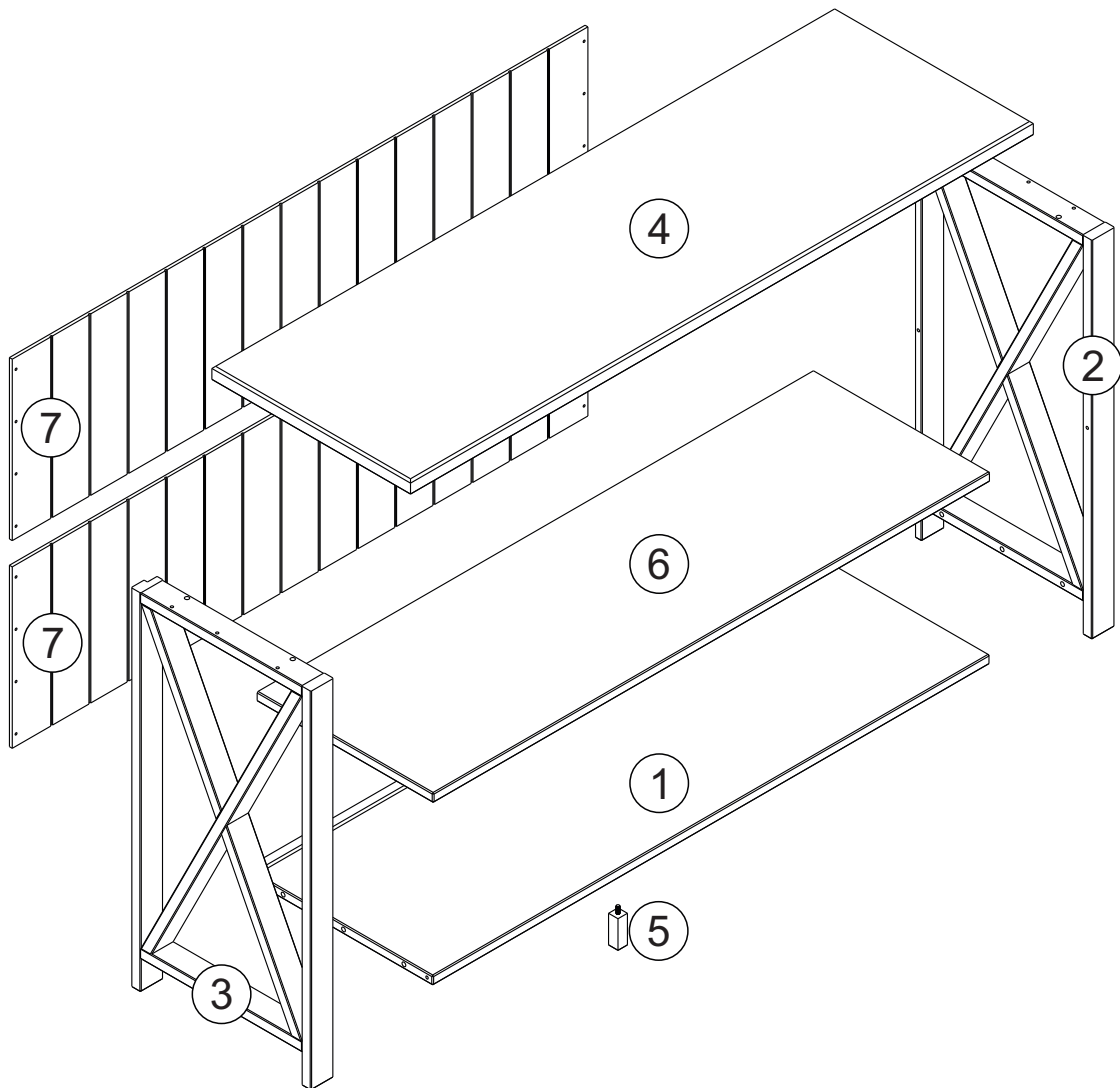
- I. Ensure that all parts and hardware are available before beginning assembly.
- II. Follow each step carefully to ensure the proper assembly of this product.
- III. Two people are recommended for ease in the assembly of this product.
- IV. The three main types of hardware used to assemble this product are : wood dowels , screws and bolts.
- V. A Phillips head screwdriver is required for the assembly of this product .



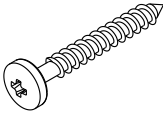
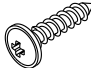
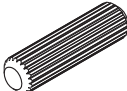
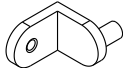

- VI. Power tools should not be used to assemble this product .

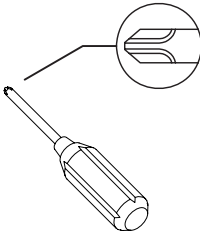


Parts List



Hardware List

A		Ø 4,5 x 35 mm	Screw	10 pcs
B		Ø 3,5 x 16 mm	Screw	29 pcs
C		Ø 8 x 30 mm	Wood dowel	10 pcs
D			Metal Bracket	04 pcs
E			Wall Anchor	01 pc

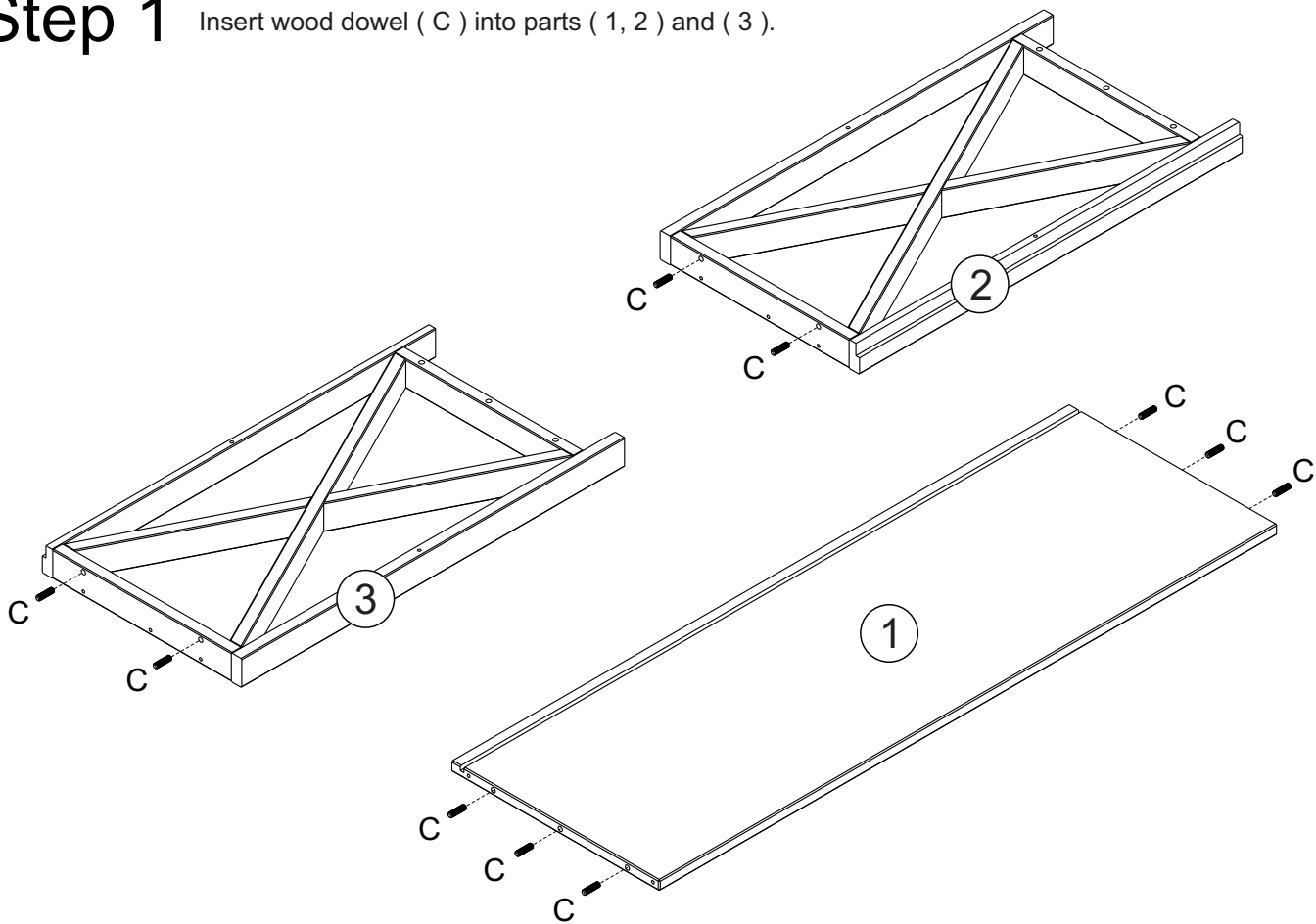


Philips head screwdriver required for assembly
(not included)

*The hardware quantities listed above are required for proper assembly.
Some extra hardware may also have been included.*

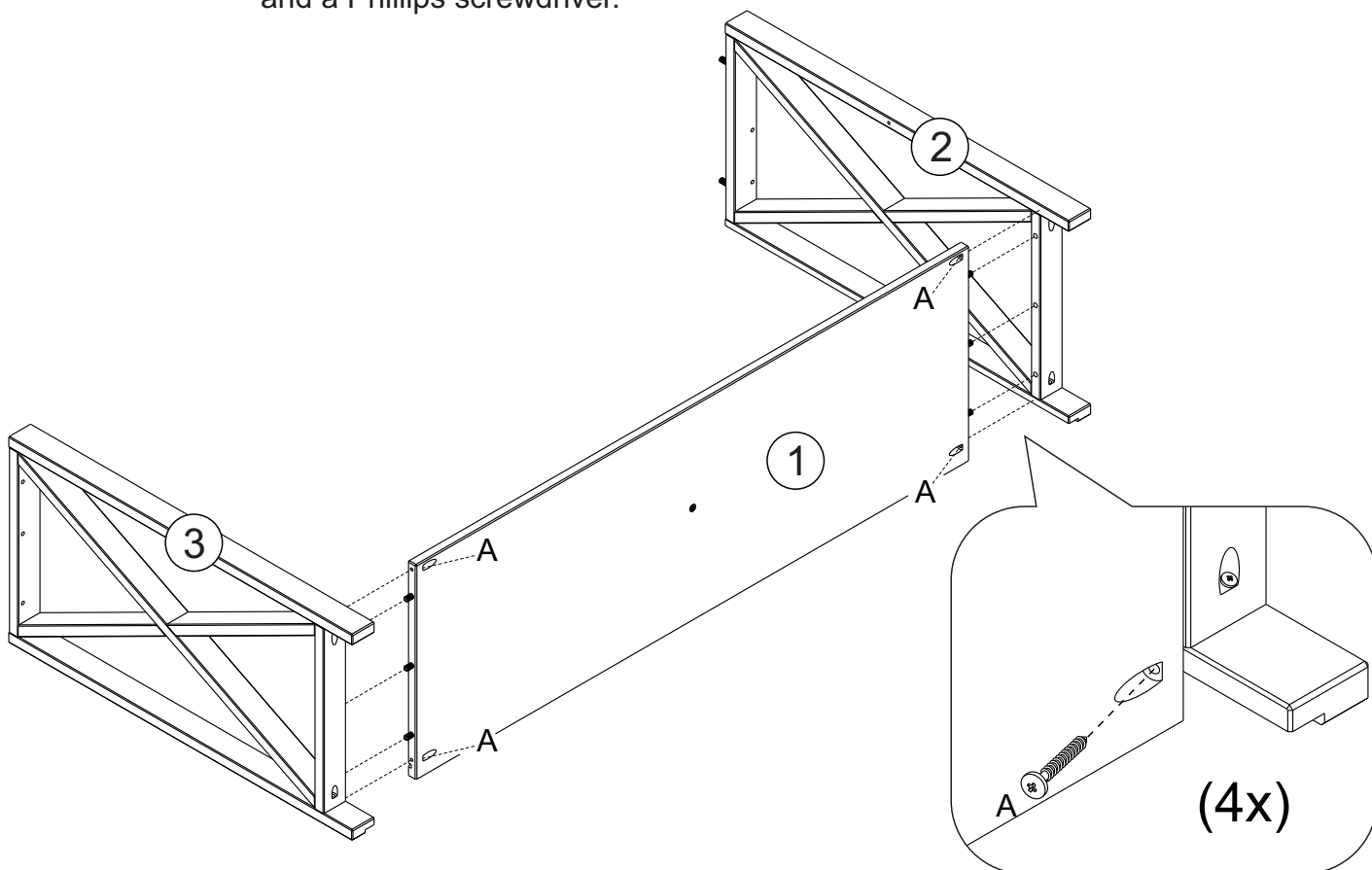
Step 1

Insert wood dowel (C) into parts (1, 2) and (3).



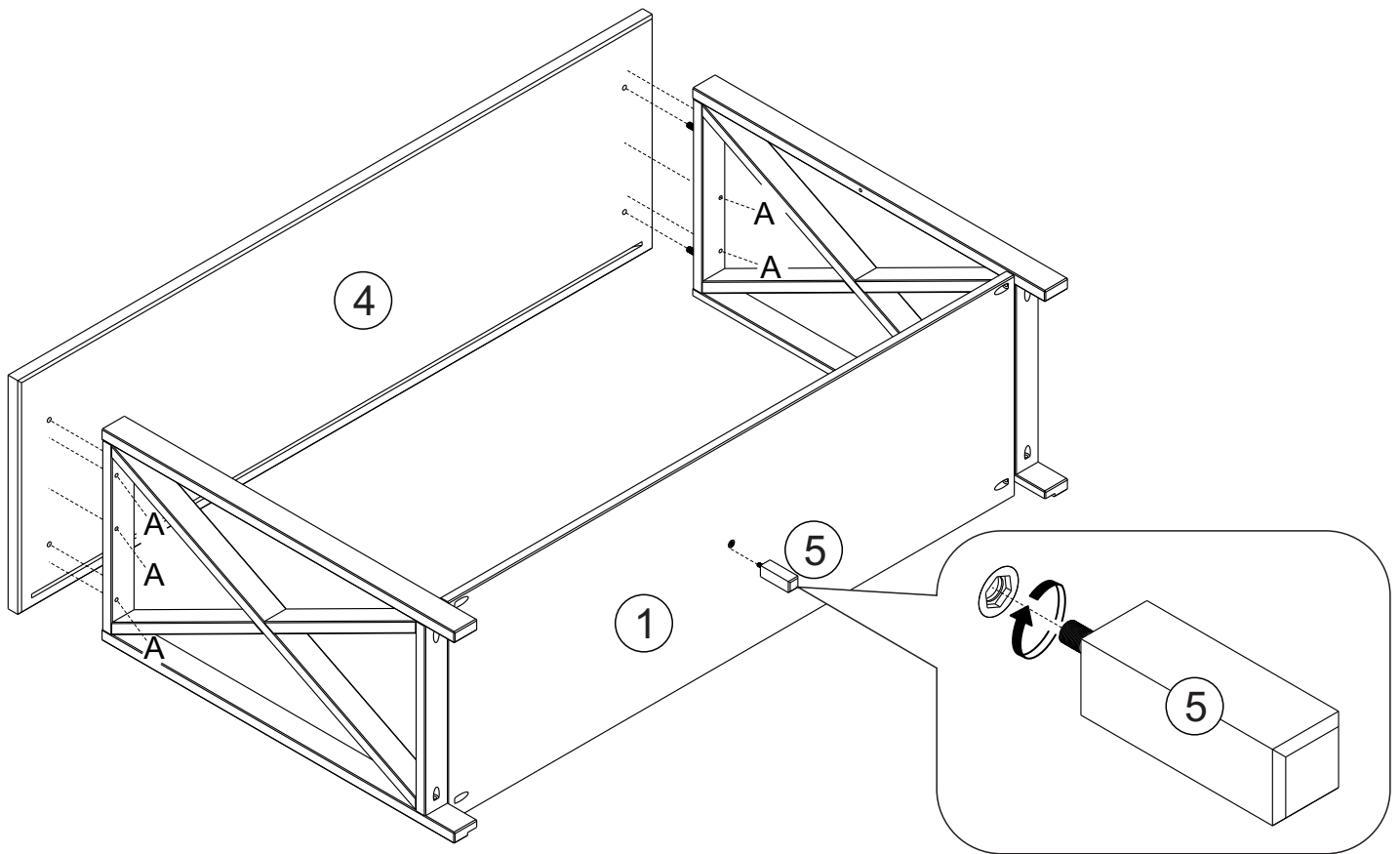
Step 2

Attach wood dowels on the holes in the part (2) and (3).
Attach the part (1) to part (2) and (3) using screw (A) and a Phillips screwdriver.



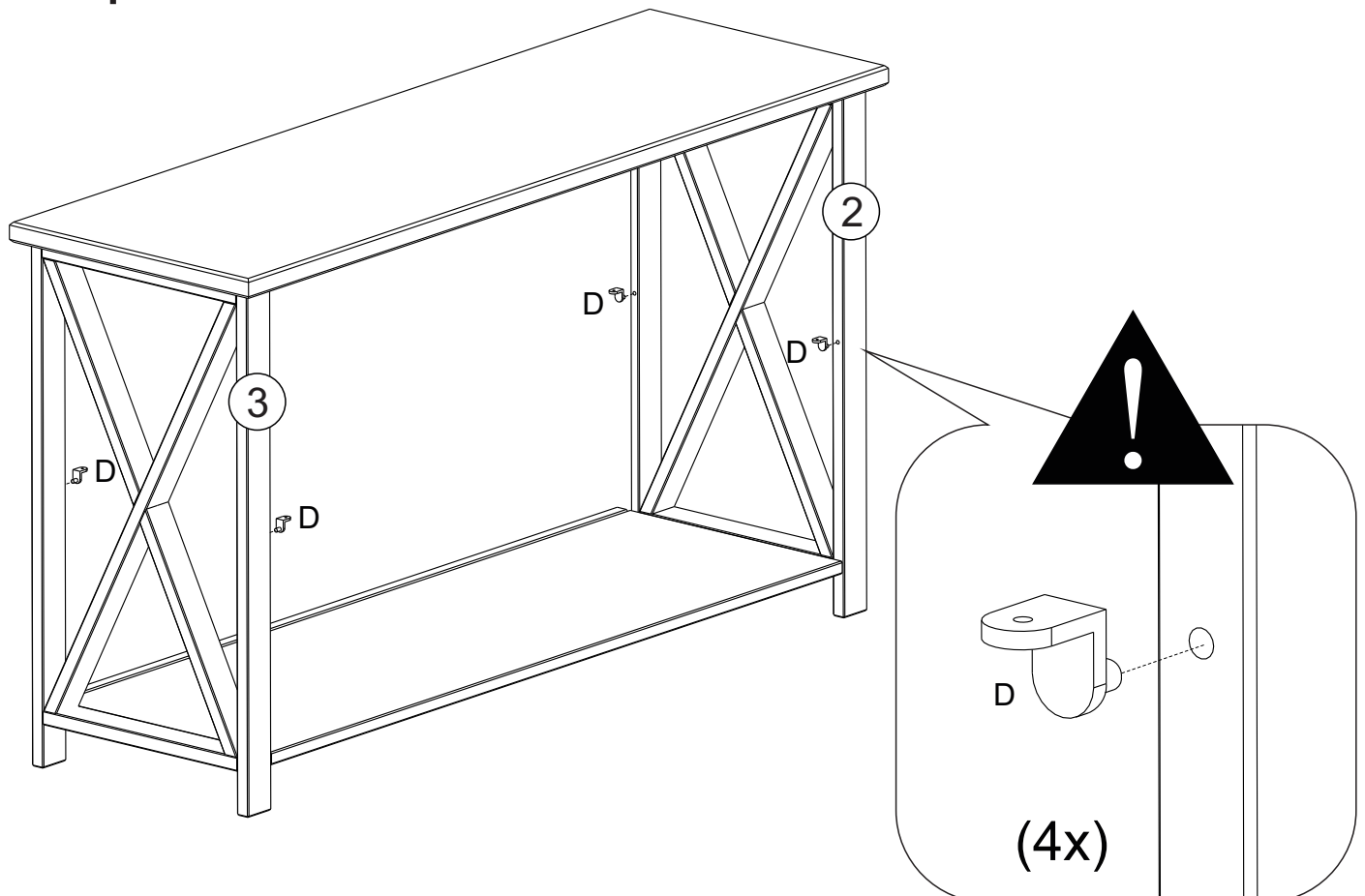
Step 3

Attach wood dowels on the holes in the part (4).
Attach the part (4) using screw (A) and a Phillips head screwdriver.
Attach the part (5) to part (1).



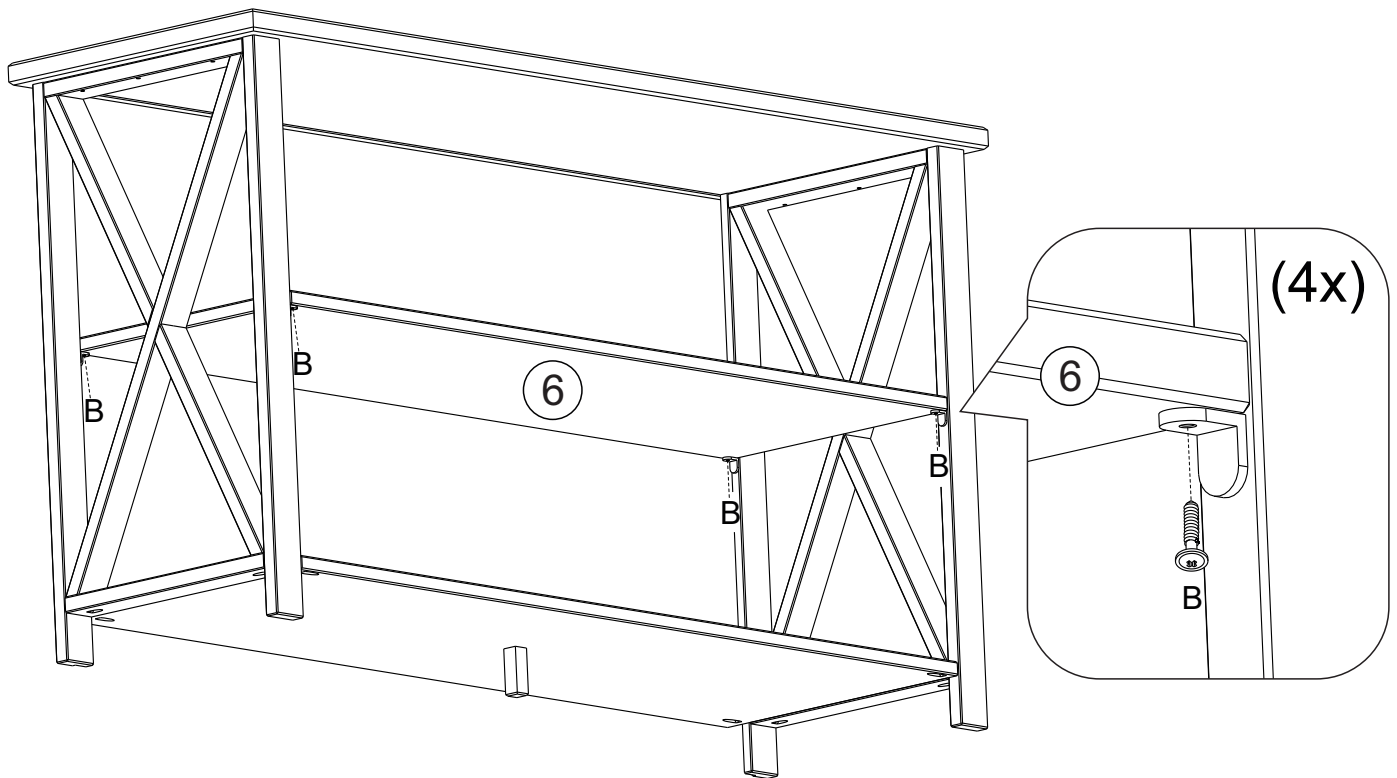
Step 4

Attach metal bracket on the holes in the part (2) and (3).



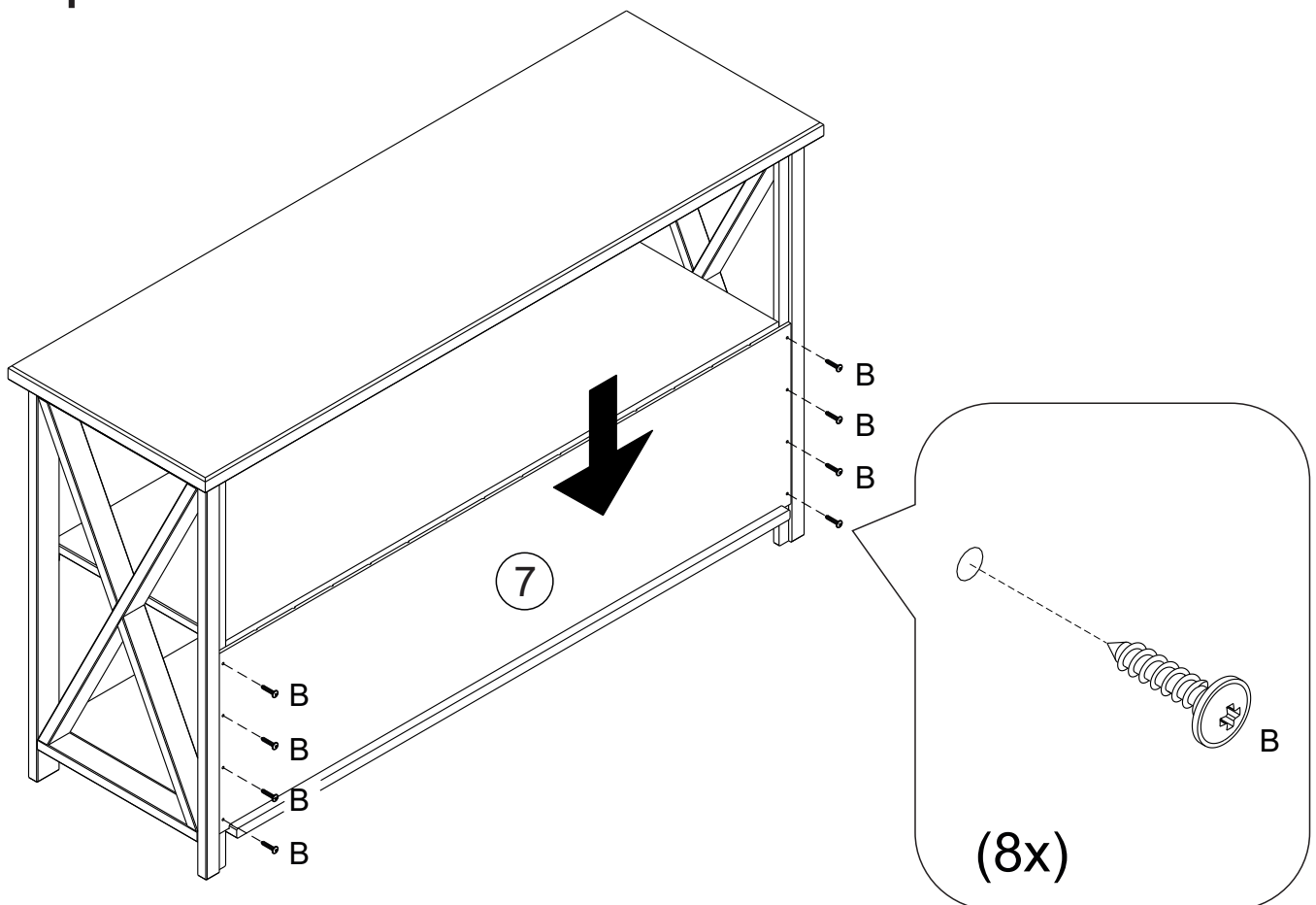
Step 5

Attach part (6) using screw (B) and Phillips head screwdriver.



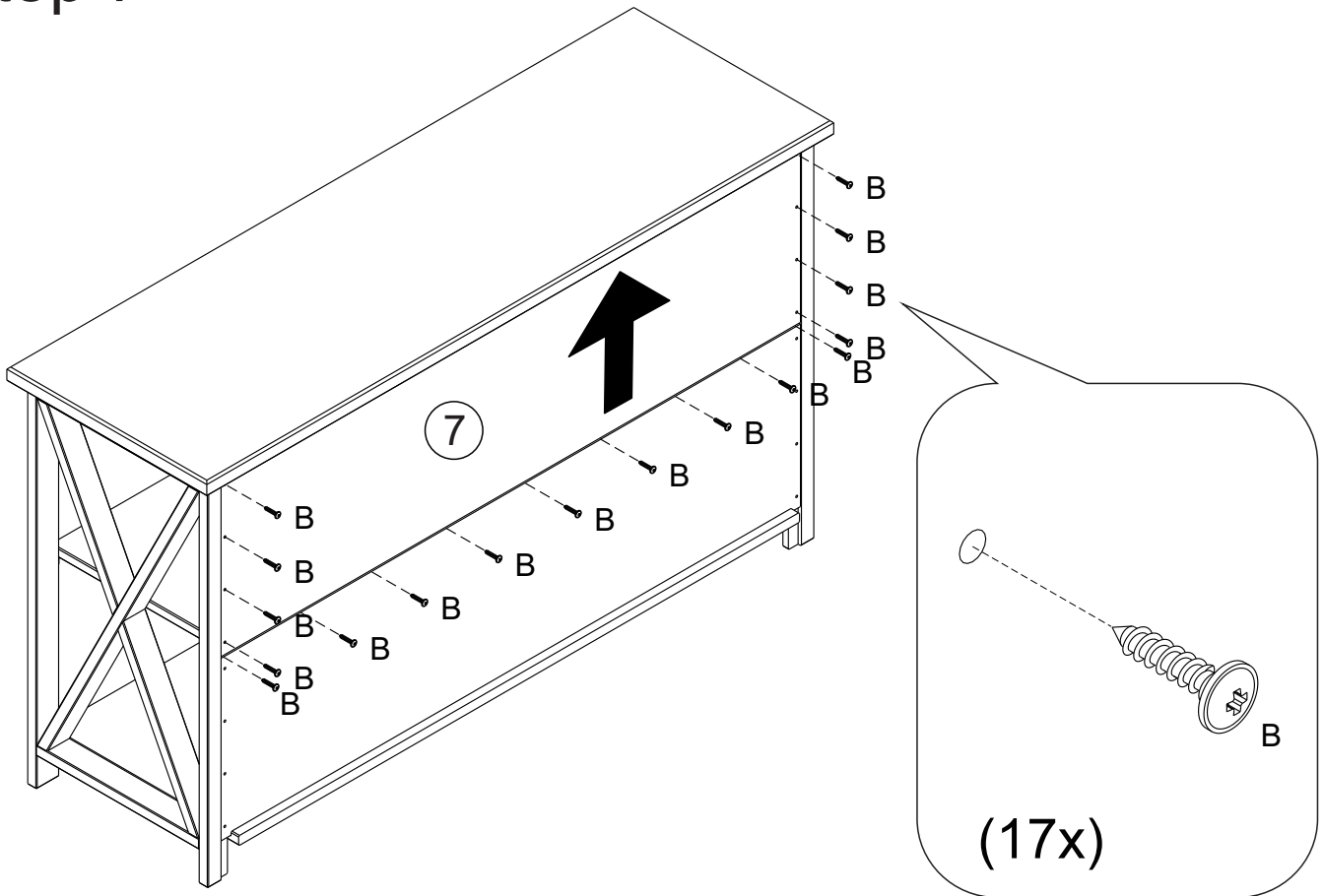
Step 6

Attach part (7) using screw (B) and Phillips head screwdriver.

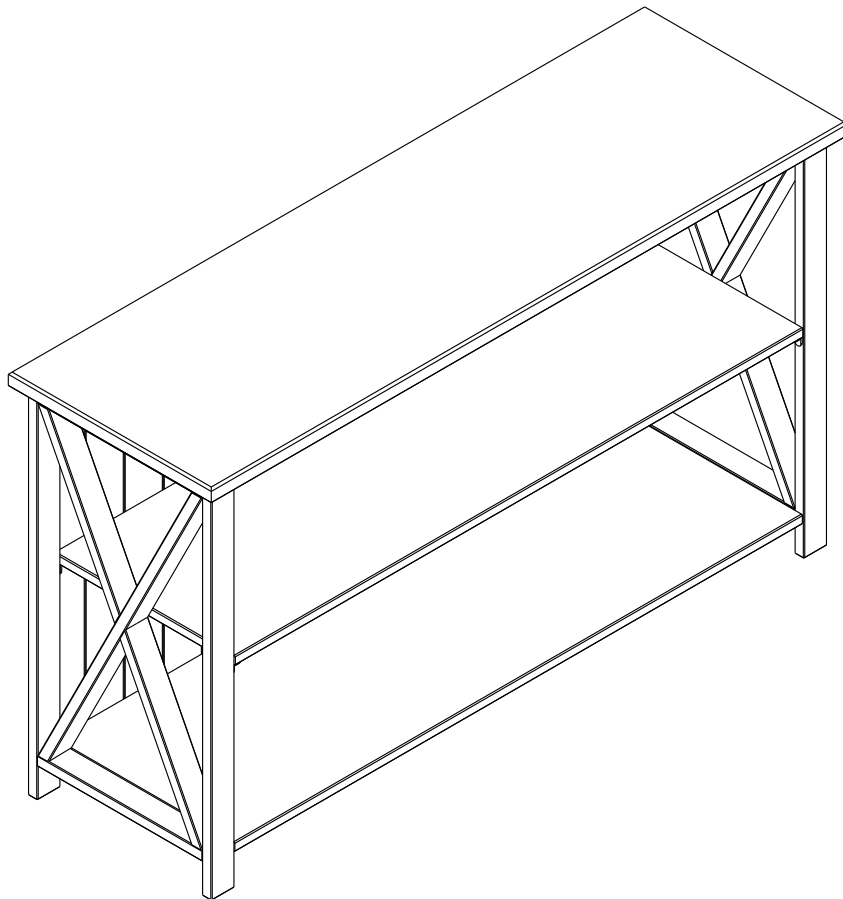


Step 7

Attach part (7) using screw (B) and Phillips head screwdriver.



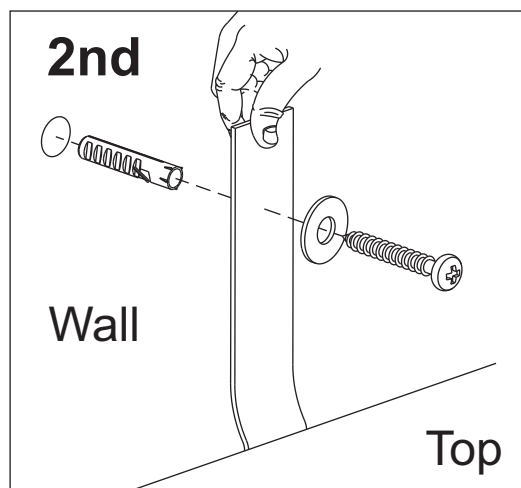
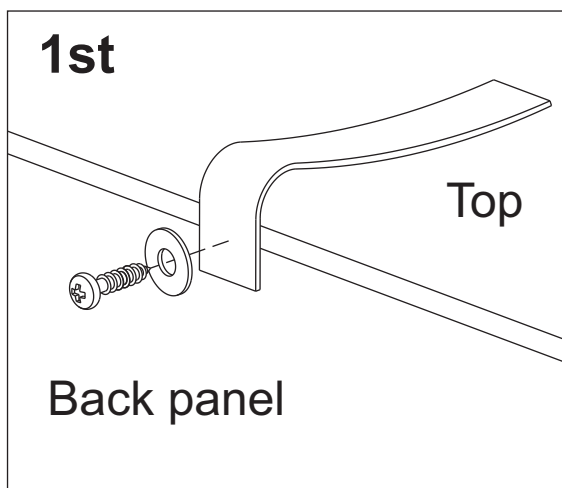
Step 8



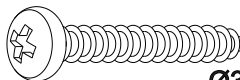
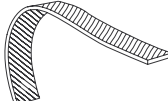
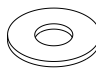


WARNING

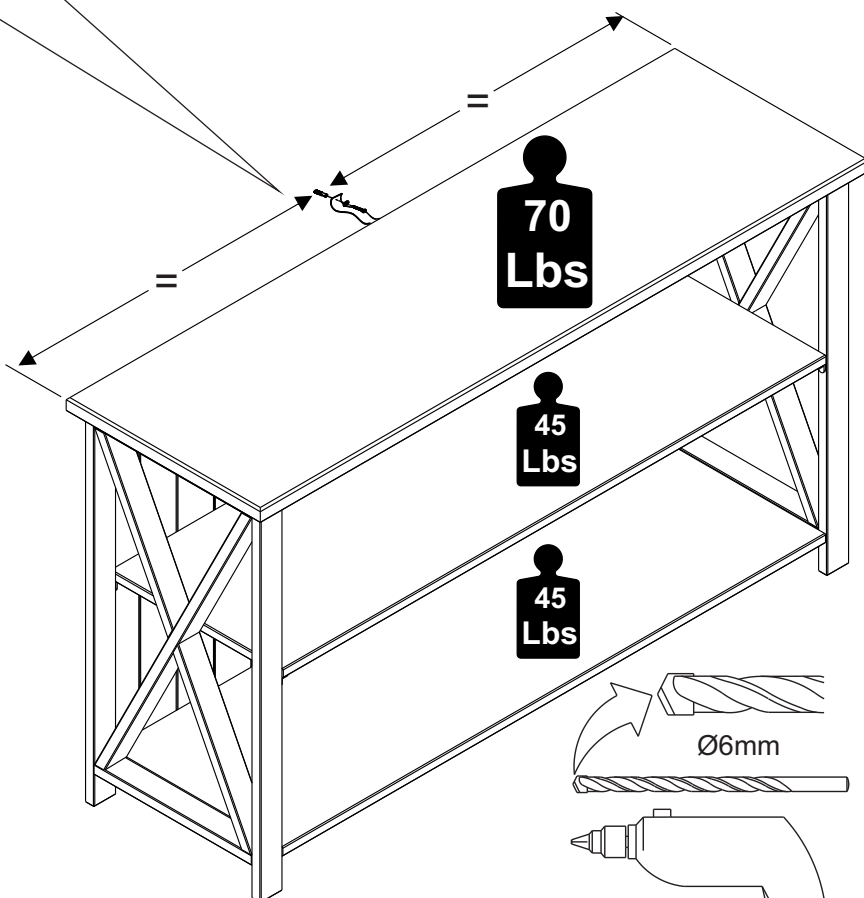
Serious or fatal injuries can occur from furniture tipping over. To prevent the furniture from tipping over we recommend that it is permanently fixed to the wall.

Wall anchor and hardware are included with this product. Please make sure hardware is suitable for your walls before installing, as different wall materials may require different types of anchors.



Hardware of Wall Anchor E

 Ø3,5x30mm	01
	01
	02
 Ø6mm	01
 Ø3,5x16mm	01



WARNING: CHECK FOR HIDDEN PIPES AND CABLES BEFORE DRILLING.

Final Assembly