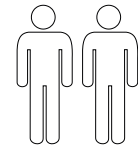


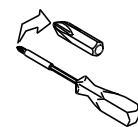
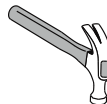
**IMPORTANT - READ CAREFULLY  
RETAIN FOR FUTURE REFERENCE**

# 5'0 TAURUS BED

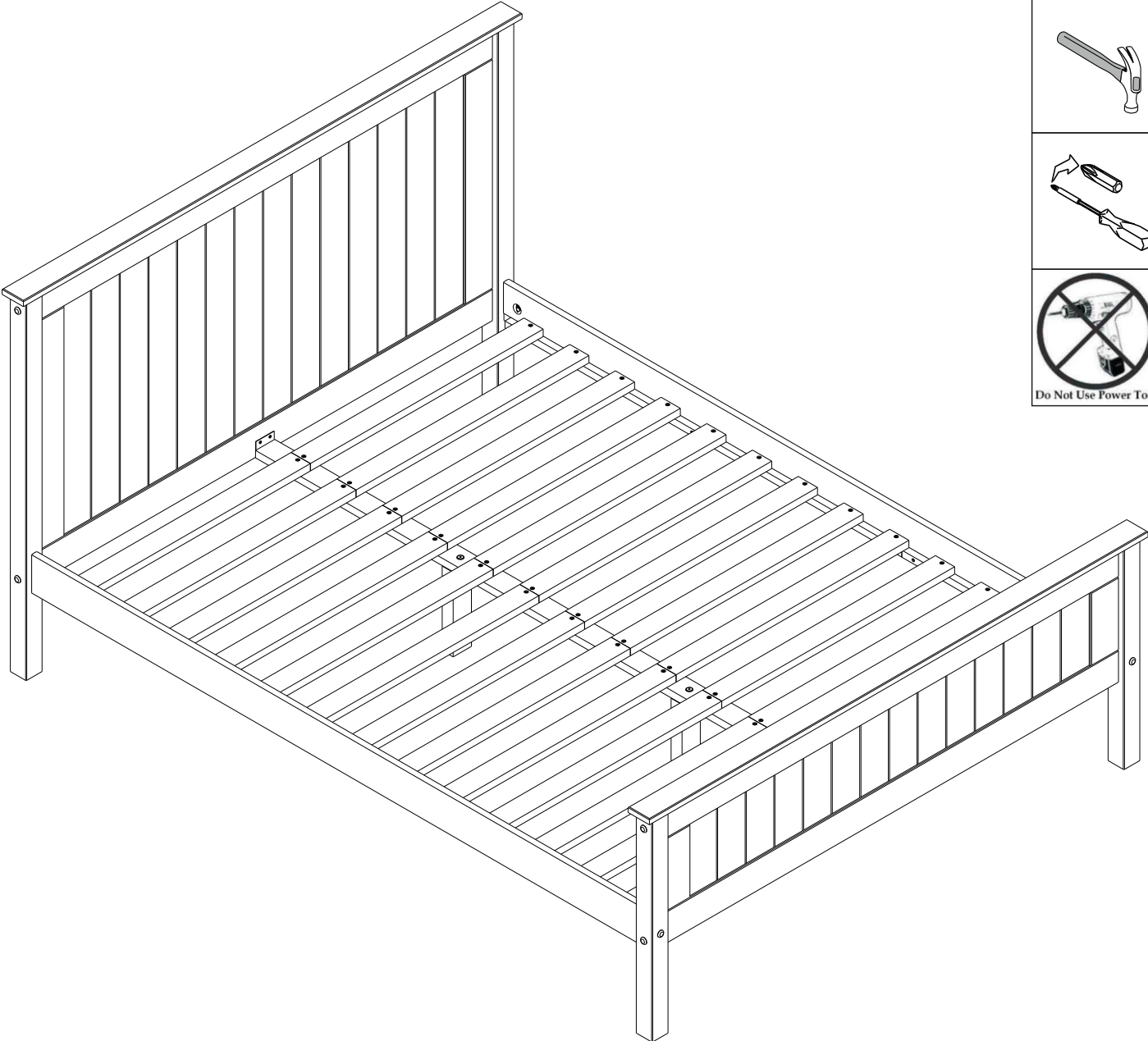
## Assembly Instructions



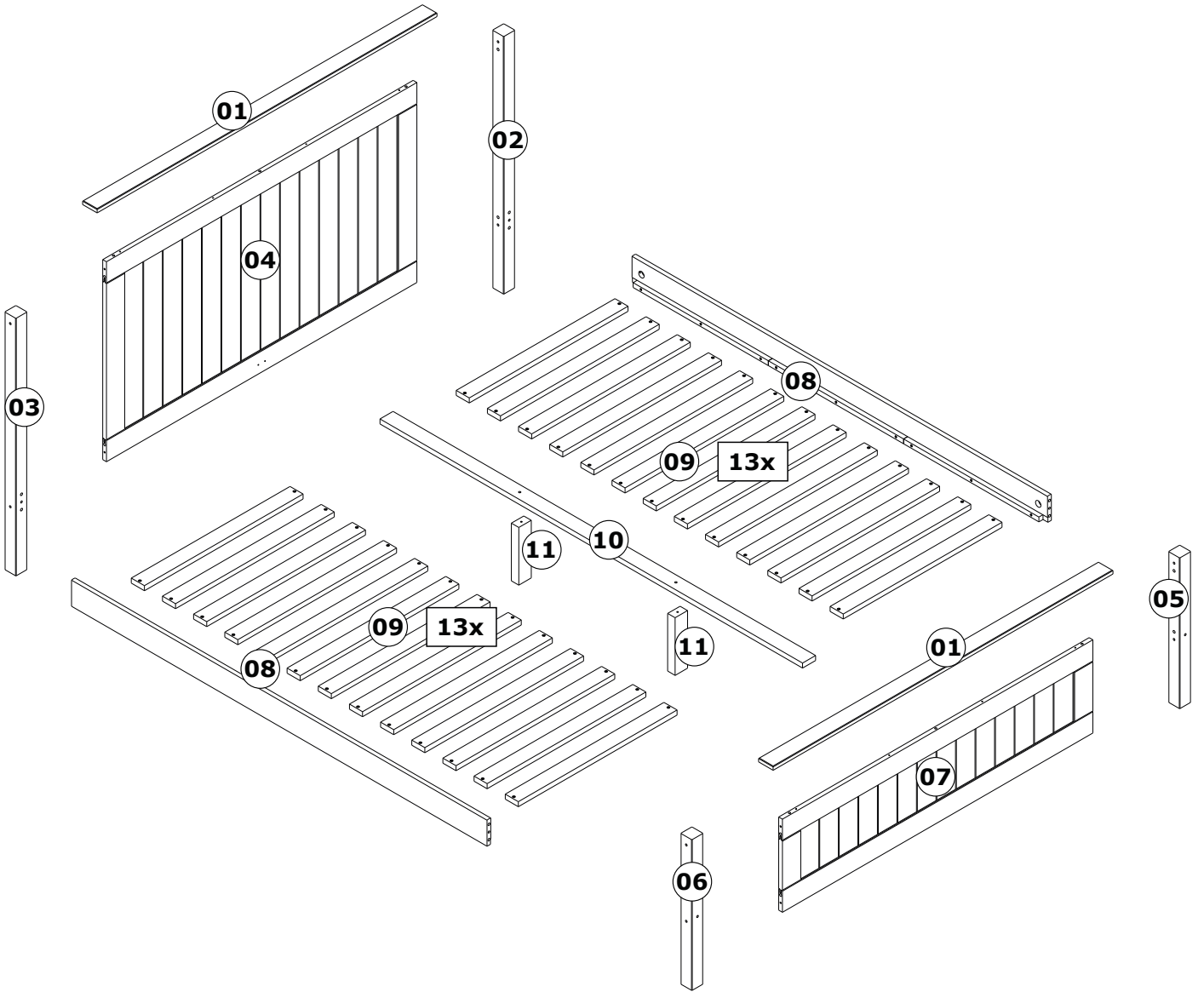
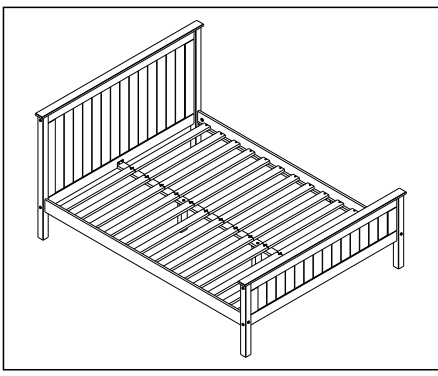
**1:30min**



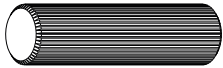
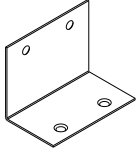

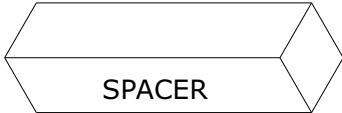
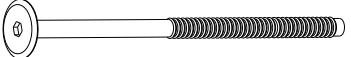
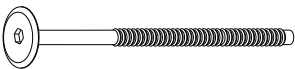
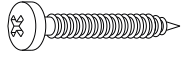

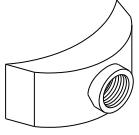
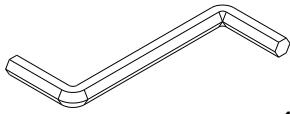
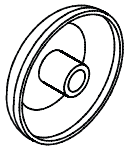
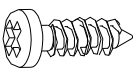

**Do Not Use Power Tools**



# PARTS.:



# 5'0 TAURUS BED HARDWARE

<b>A</b>	 Ø8x30mm	<b>06</b>	<b>L</b>	 CT 26	<b>02</b>
<b>B</b>	 Ø10x40mm	<b>16</b>	<b>Z</b>	 SPACER	<b>02</b>
<b>C</b>	 Ø1/4"x100mm - Cab. Ø17mm	<b>04</b>			
<b>D</b>	 Ø7x90mm - Cab. Ø17mm	<b>08</b>			
<b>E</b>	 Ø3,5x30mm	<b>08</b>			
<b>F</b>	 Ø3,5x30mm	<b>52</b>			
<b>G</b>	 Ø1/4"x25mm	<b>04</b>			
<b>H</b>	 4mm	<b>01</b>			
<b>I</b>		<b>12</b>			
<b>J</b>	 Ø3,5x16mm	<b>08</b>			
<b>K</b>	 Ø7,0x60mm - Cab. Ø17mm	<b>02</b>			

### BEDS WITH CENTRE LEGS

PLEASE NOTE THE RECOMMENDED PROCESS FOR ADJUSTING CENTRE LEGS WHEN ASSEMBLING YOUR BED.

BEFORE PLACING THE MATTRESS ON THE BASE, PLEASE ENSURE THAT THE SUPPORT LEGS ARE NOT QUITE TOUCHING THE FLOOR. WHEN THE BED IS THEN IN USE THE SUPPORT LEGS WILL SIT FIRMLY ON THE SOLID SURFACE.

PLEASE ENSURE THAT THE LEGS ARE VERTICAL

**DUE TO THE NATURE OF LAMINATE FLOORING WE RECOMMEND THAT YOU PLACE A SMALL PIECE OF NON SLIP MATERIAL UNDER THE LEGS WHICH WILL GIVE YOU THE FLEXIBILITY THAT THE ADJUSTERS NEED.**

WHEN MOVING THE BED IT IS ESSENTIAL THAT IT IS LIFTED INTO THE NEW POSITION. **NEVER DRAG** THE BED AS THIS WILL MOVE THE LEGS FROM THE VERTICAL POSITION THUS WEAKENING THE SUPPORT OF THE CENTRE RAIL.

ADHERING TO THE RECOMMENDED PROCESS SHOULD ENSURE THAT YOUR BED GIVES YOU YEARS OF TROUBLEFREE SERVICE.

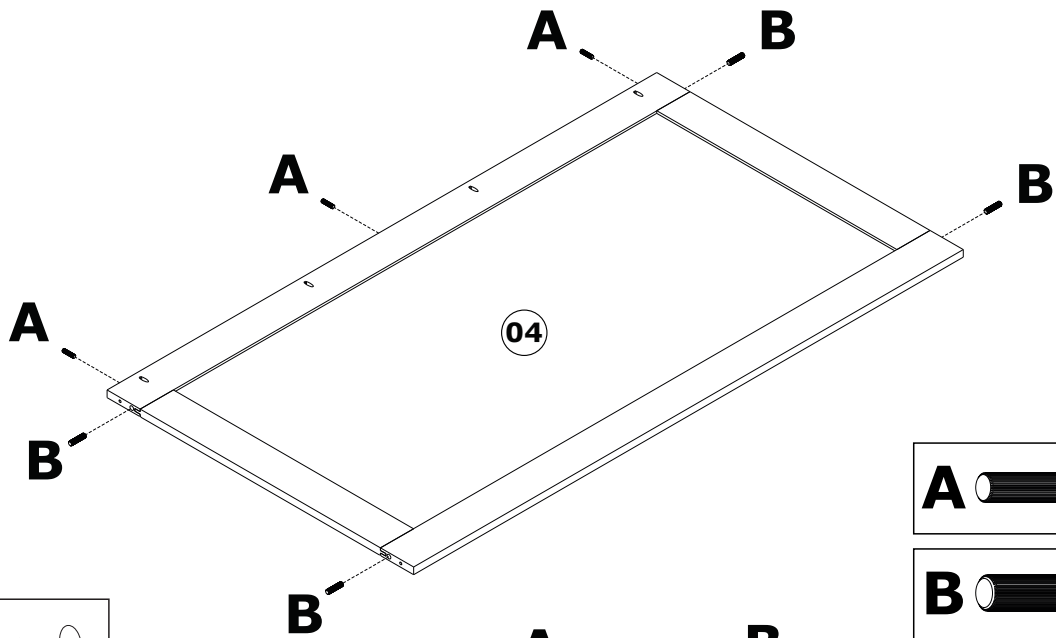
THANK YOU

# CARING FOR YOUR NEW PRODUCT


## **PLEASE NOTE : GOODS THAT NEED TO BE RETURNED**

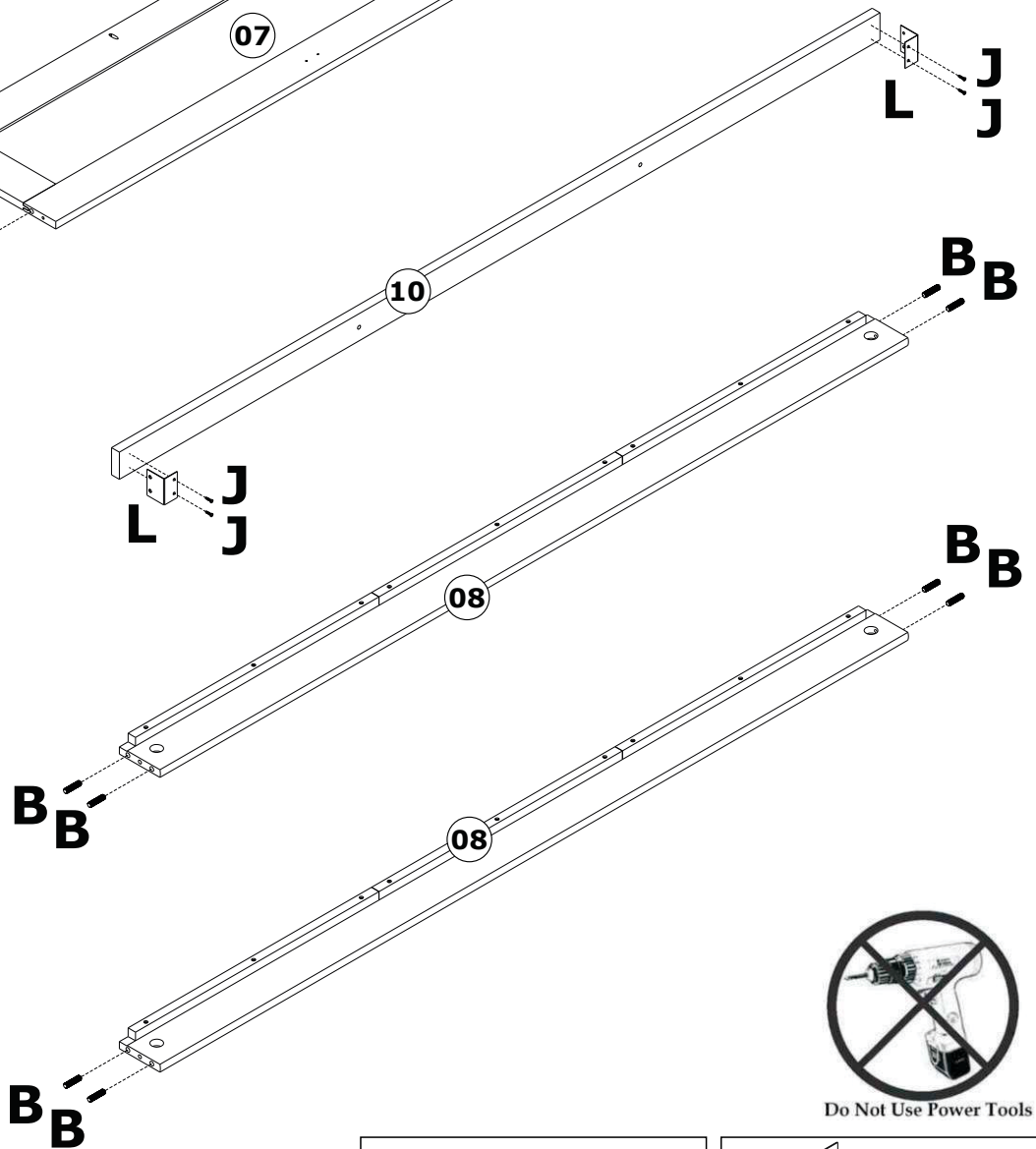
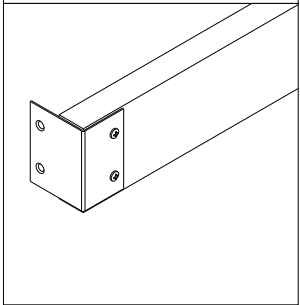
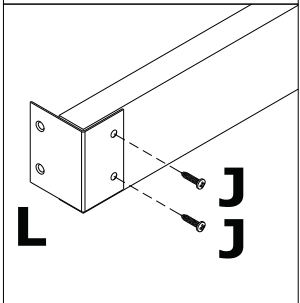
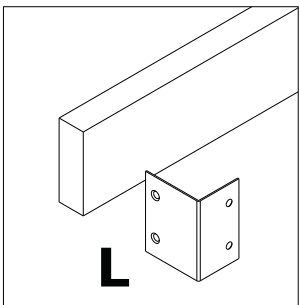
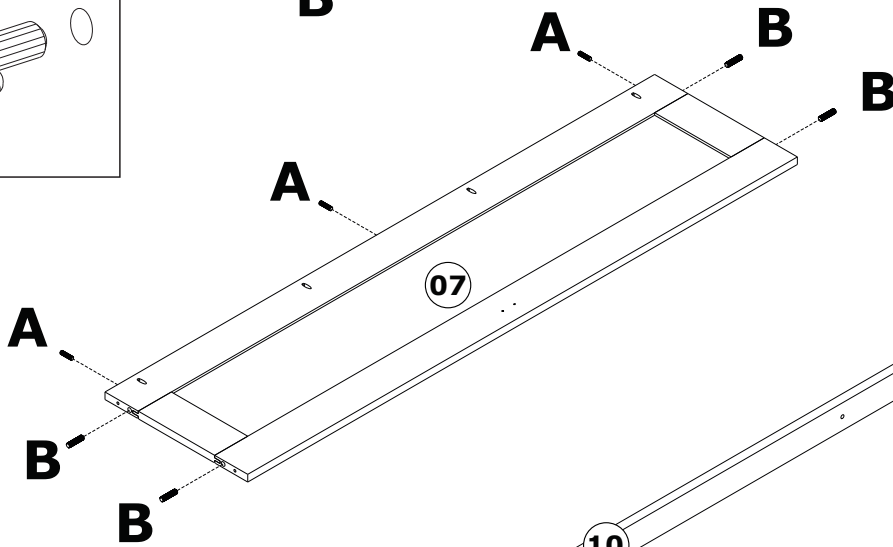
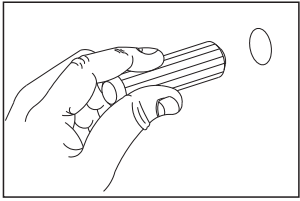
- ✍ SHOULD BE SENT BACK IN ITS ORIGINAL PACKAGING.
  
- ✍ When assembling your bed, please ensure that you have checked the contents for all relevant parts.
  
- ✍ When tightening bolts, do make sure that they are fully tightened but not forced.
  
- ✍ When moving your fully assembled bed, you must first remove the mattress and lift the frame into position; taking care when lifting and always have two people handling the bed. **PLEASE DO NOT DRAG THE BED** as this will cause damage to the central support legs and rail. Central legs **MUST** be in a vertical position at all times.
  
- ✍ Due to the nature of laminate flooring, we recommend that you place non-slip material under the central support legs. This will stop the legs from sliding on laminate/wooden floors and will prevent the bed from collapsing.
  
- ✍ It is advisable to use approved cleaning products when cleaning the furniture and bed frame as certain chemical -based cleaners could have an adverse effect on the bed's finish.

**01**

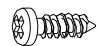


**A**  **06x**  
Ø8,0x30mm

**B**  **16x**  
Ø10x40mm



Do Not Use Power Tools

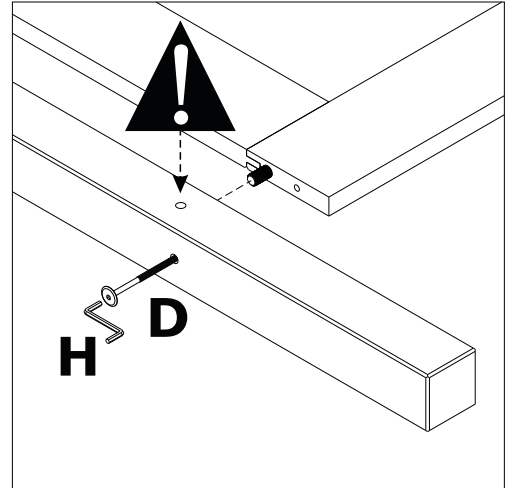
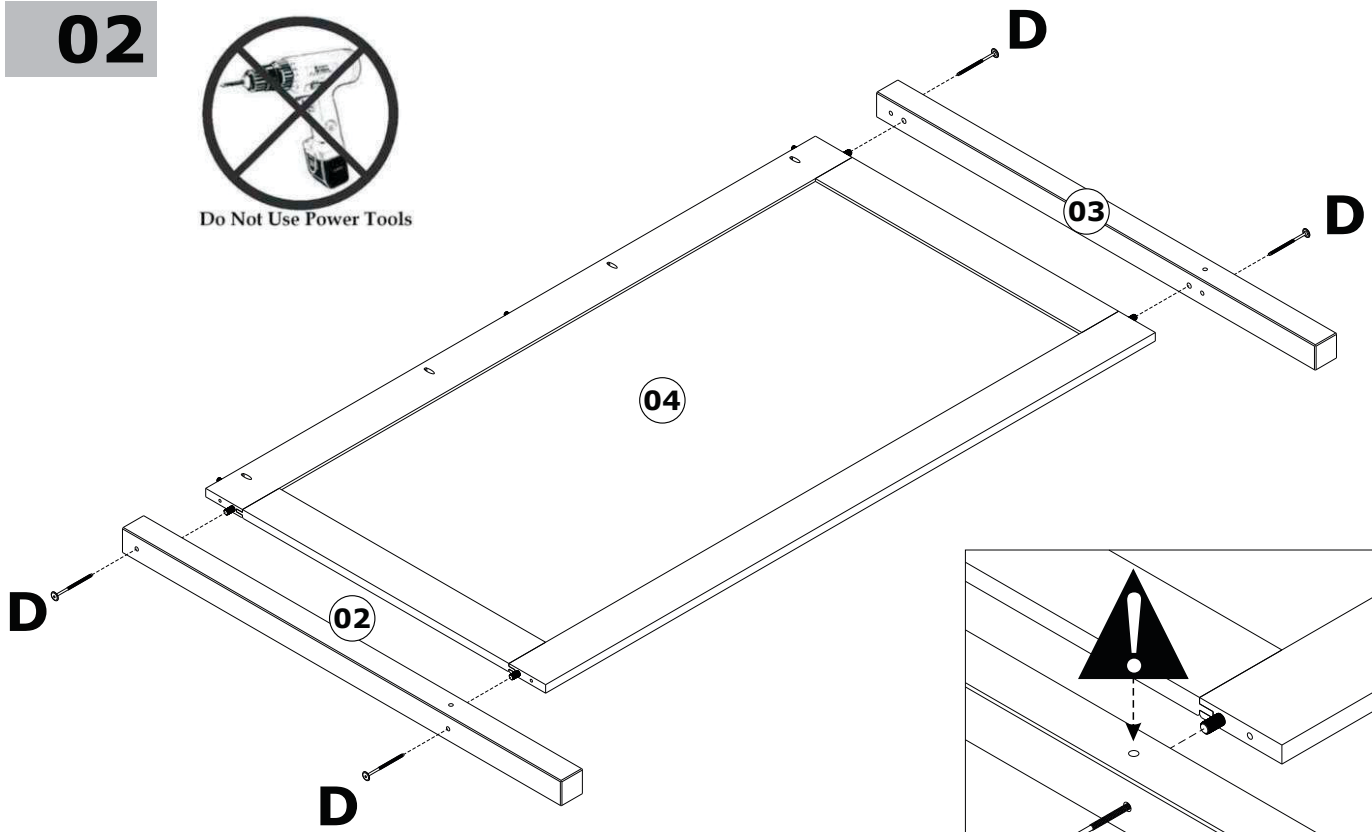
**J**  **04x**  
Ø3,5x16mm

**L**  **02x**  
CT26

**02**



Do Not Use Power Tools



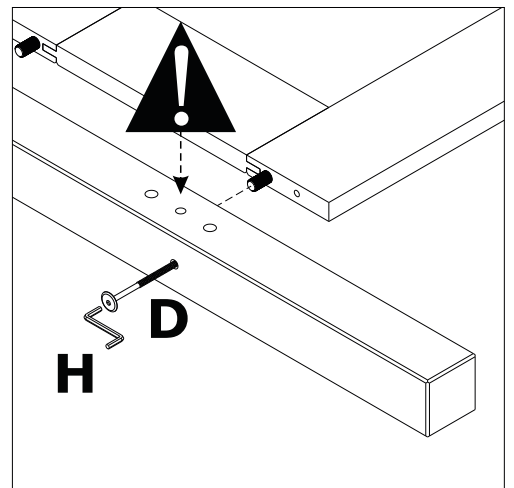
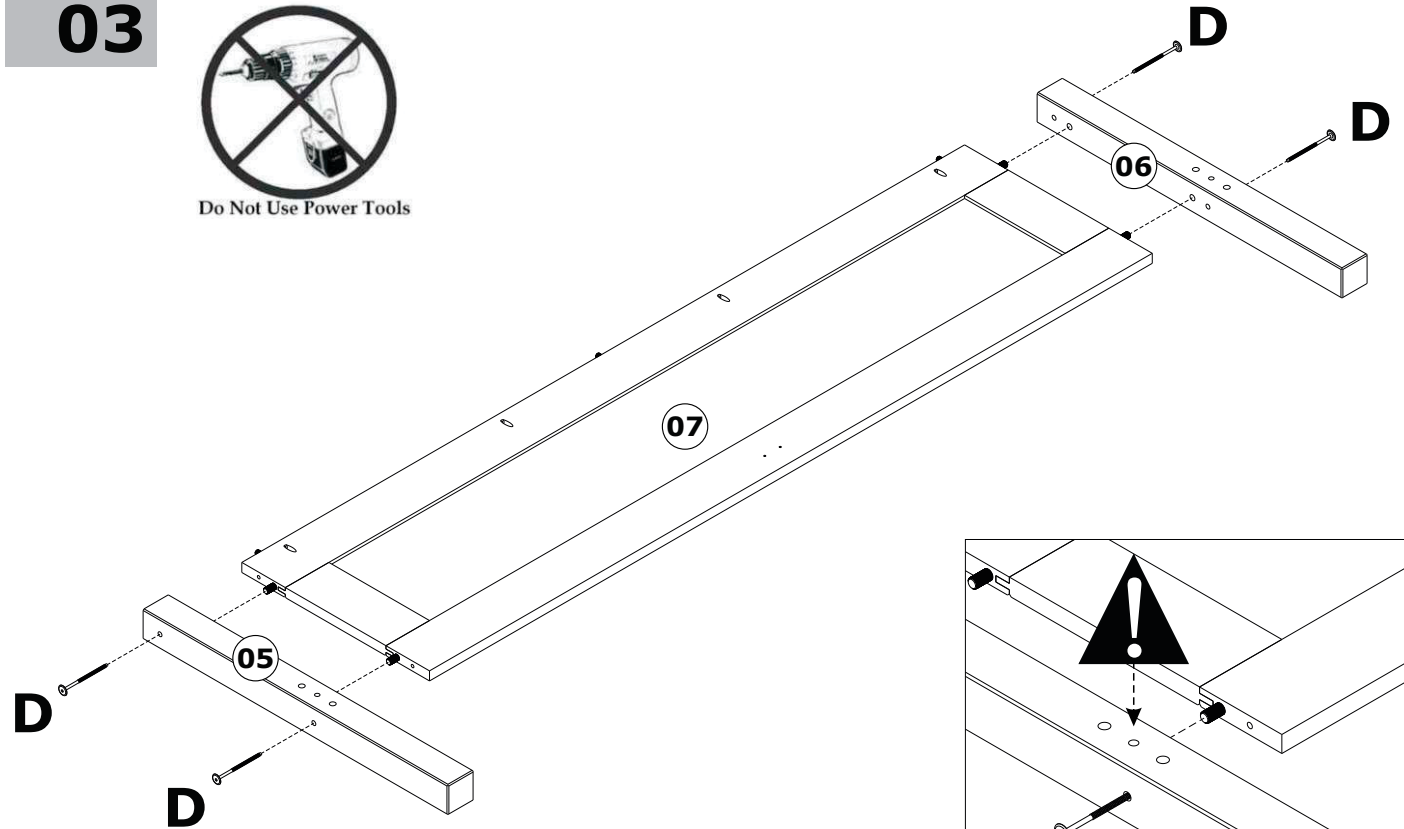
**D** **04x**  
Ø7x90mm - Cab. Ø17mm

**H** **01x**  
4mm

**03**



Do Not Use Power Tools



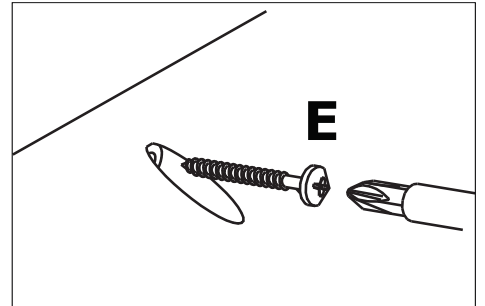
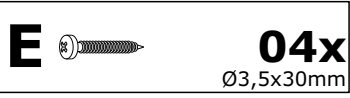
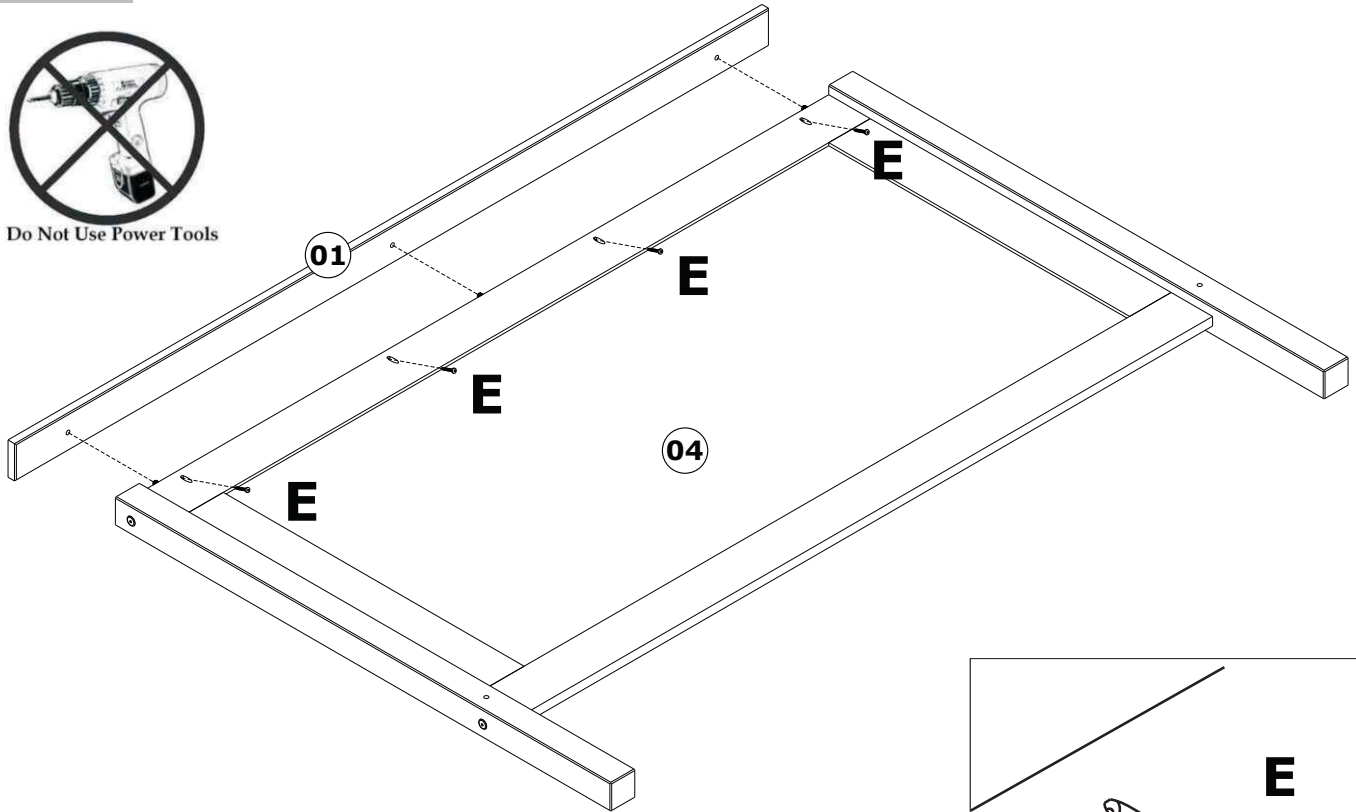
**D** **04x**  
Ø7x90mm - Cab. Ø17mm

**H** **01x**  
4mm

# 04



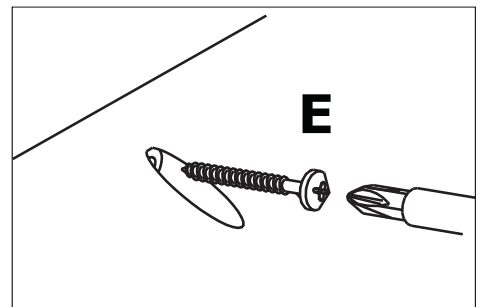
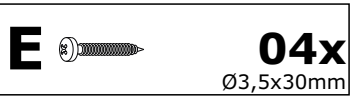
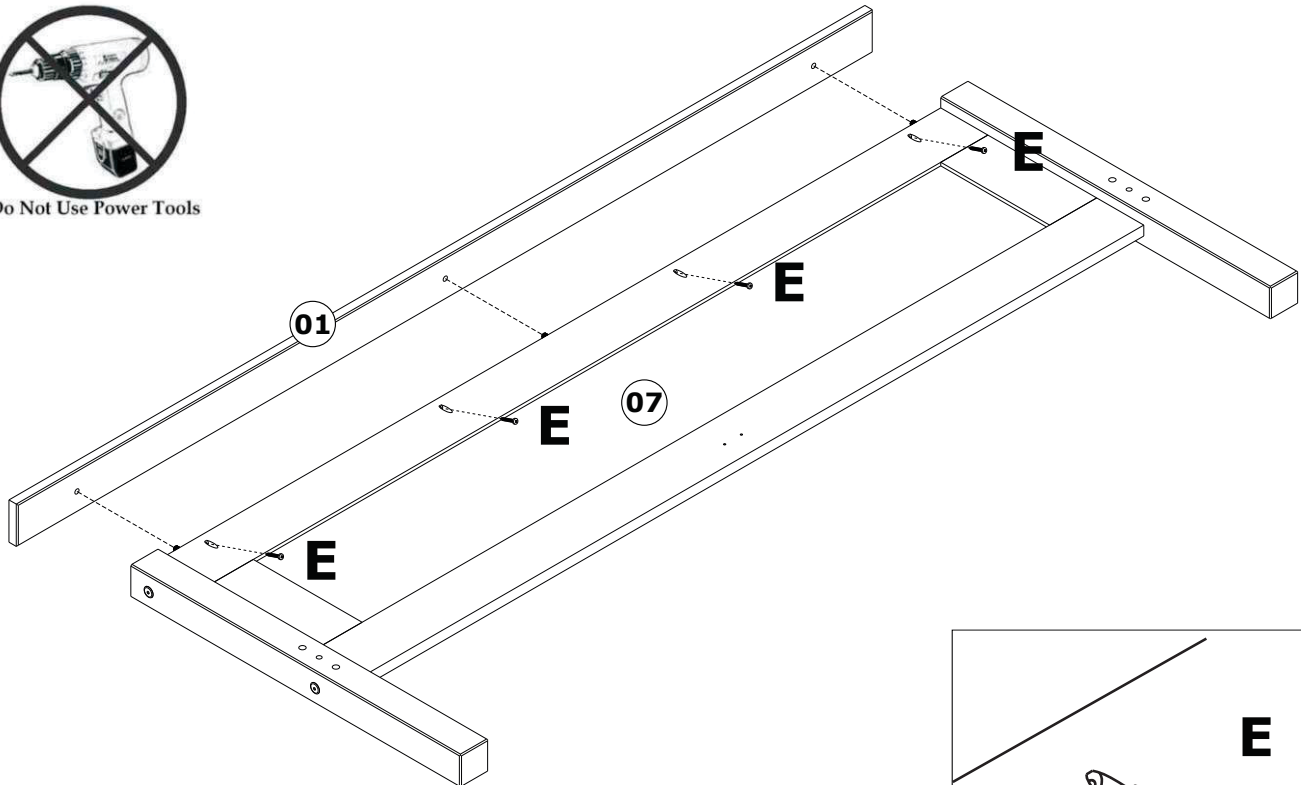
Do Not Use Power Tools



# 05



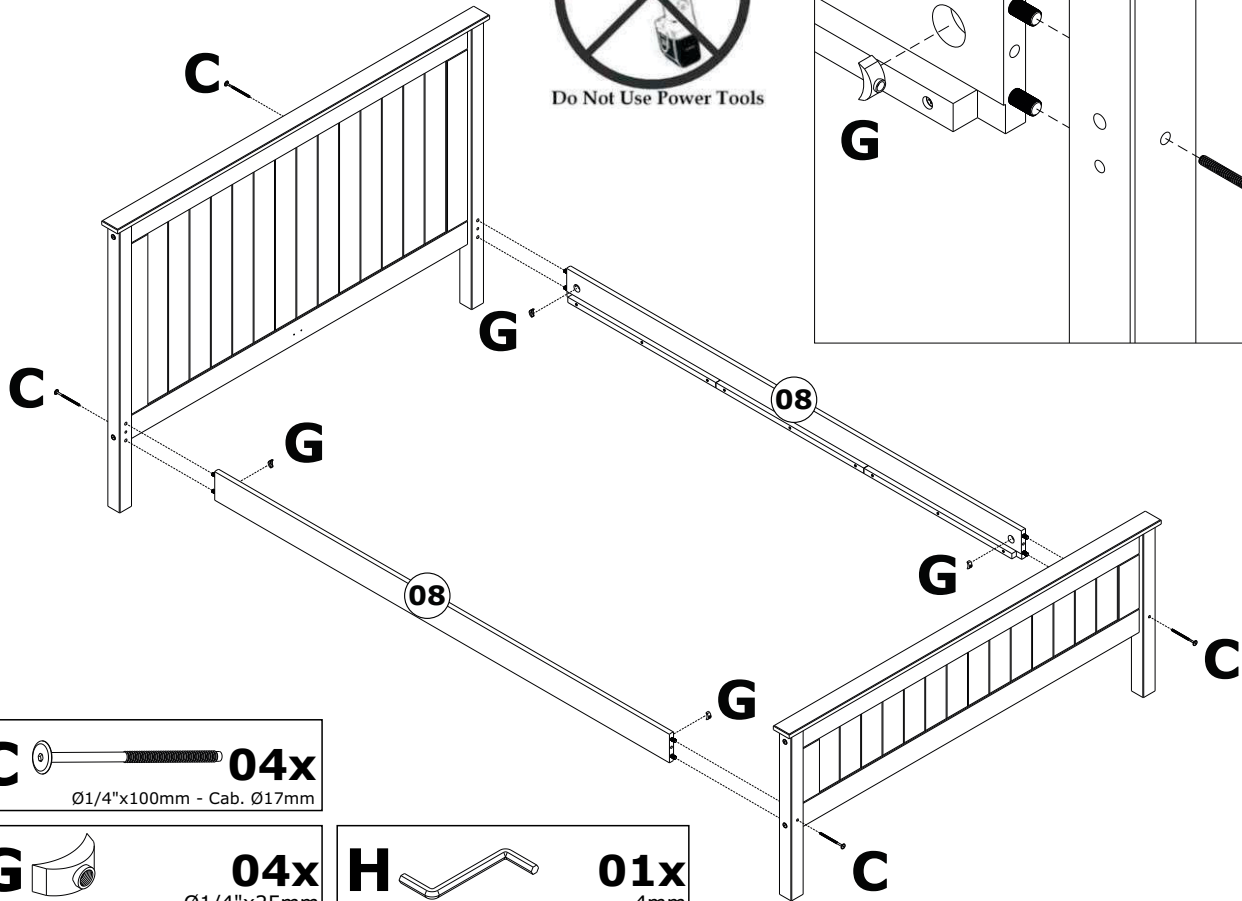
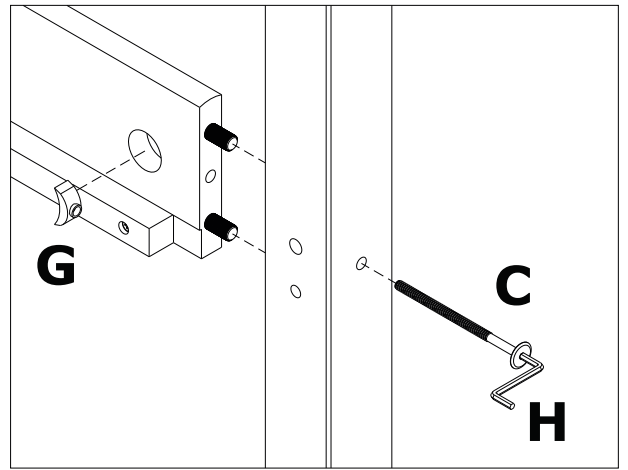
Do Not Use Power Tools



06



Do Not Use Power Tools



**C** 04x  
Ø1/4"x100mm - Cab. Ø17mm

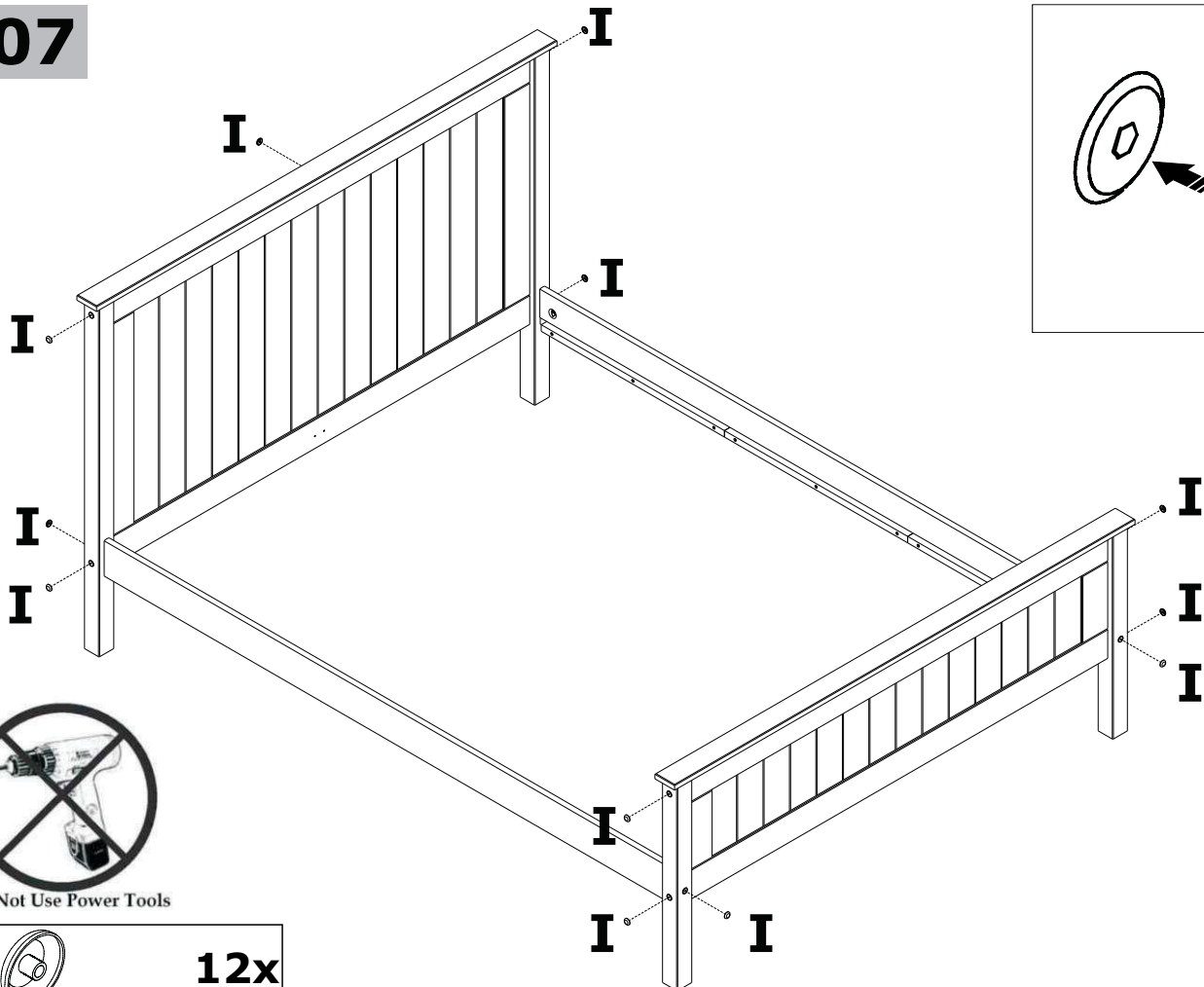
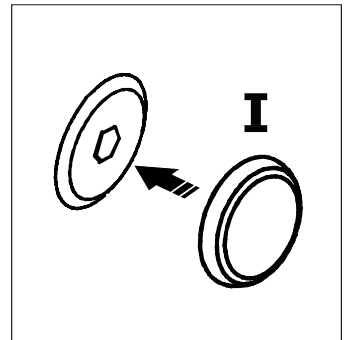
**G** 04x  
Ø1/4"x25mm

**H** 01x  
4mm

07

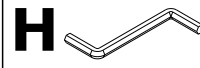


Do Not Use Power Tools

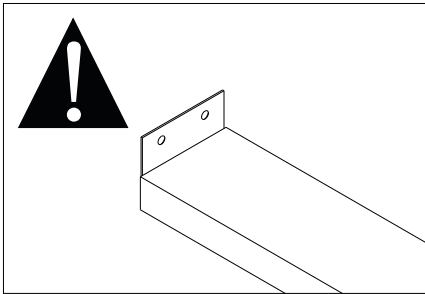
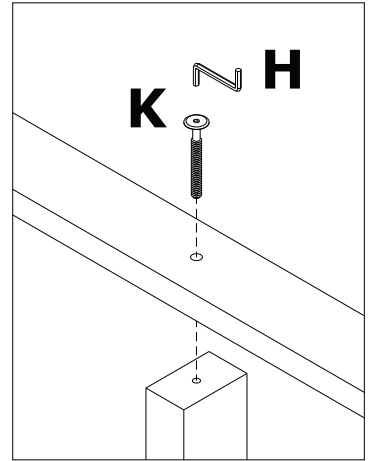
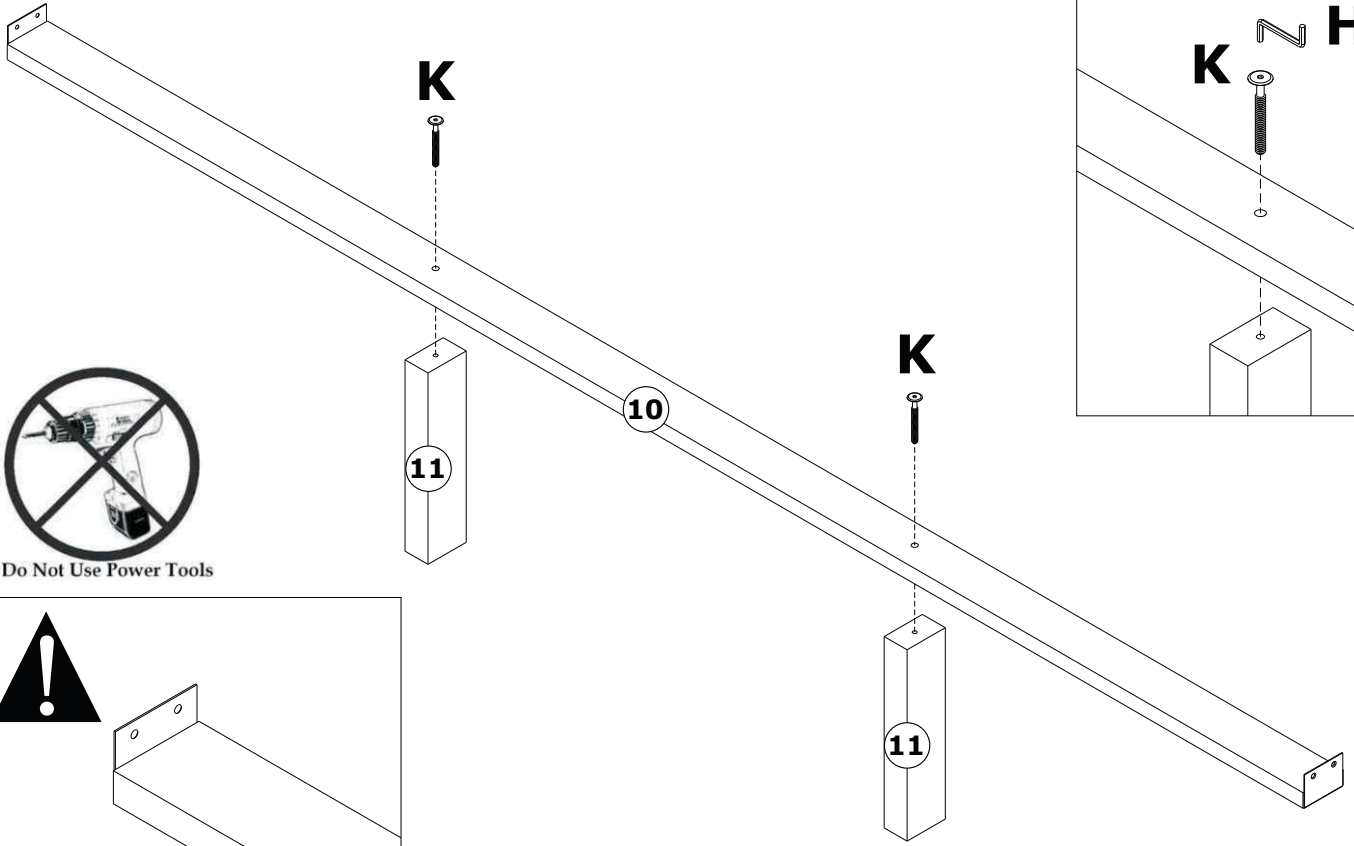


**I** 12x

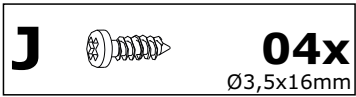
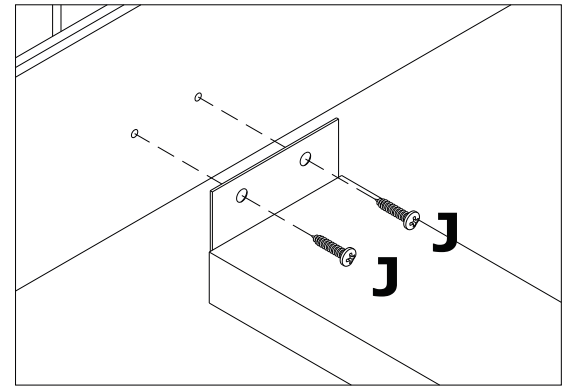
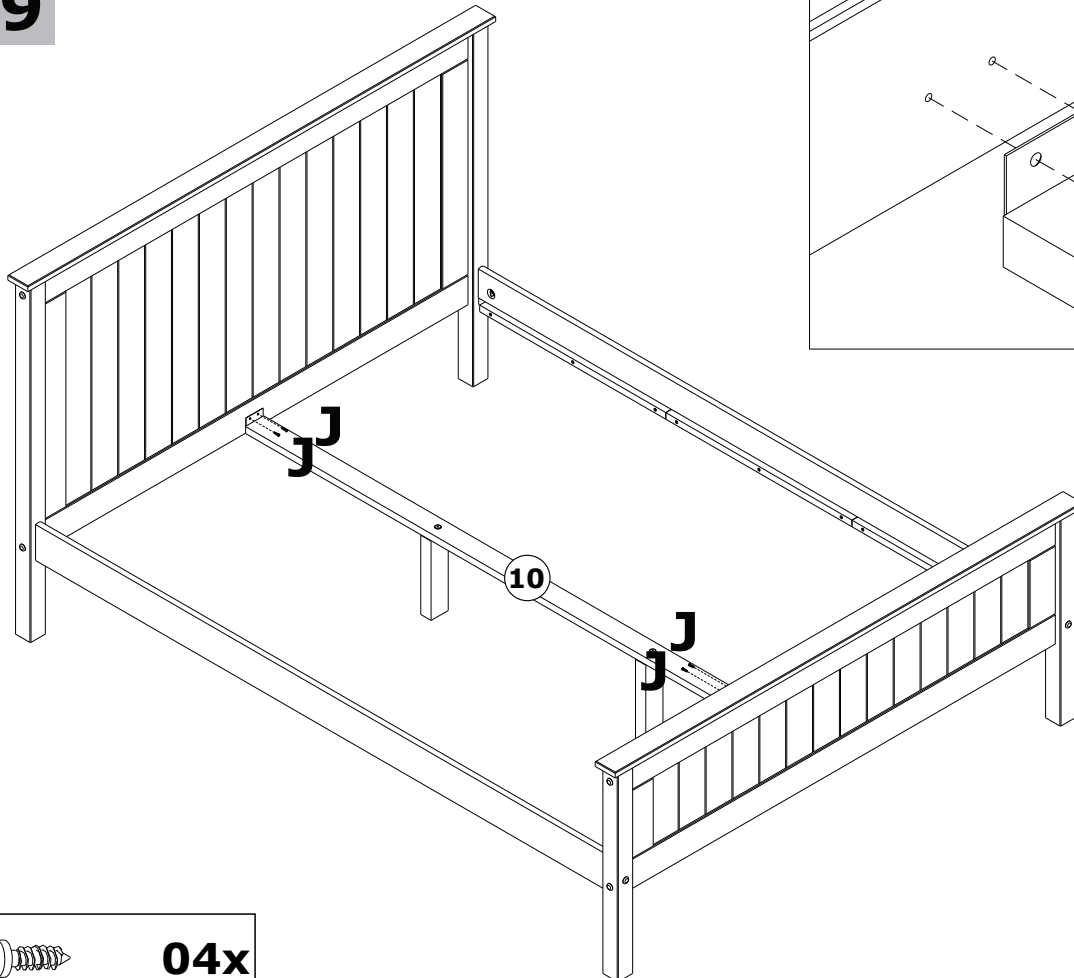
08



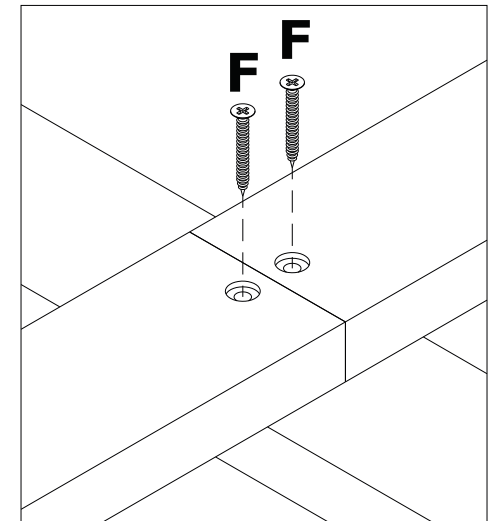
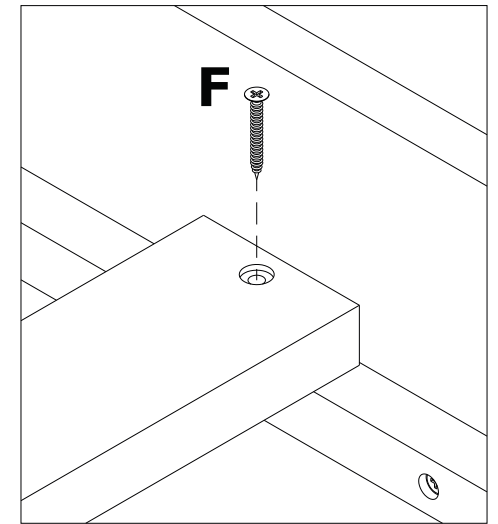
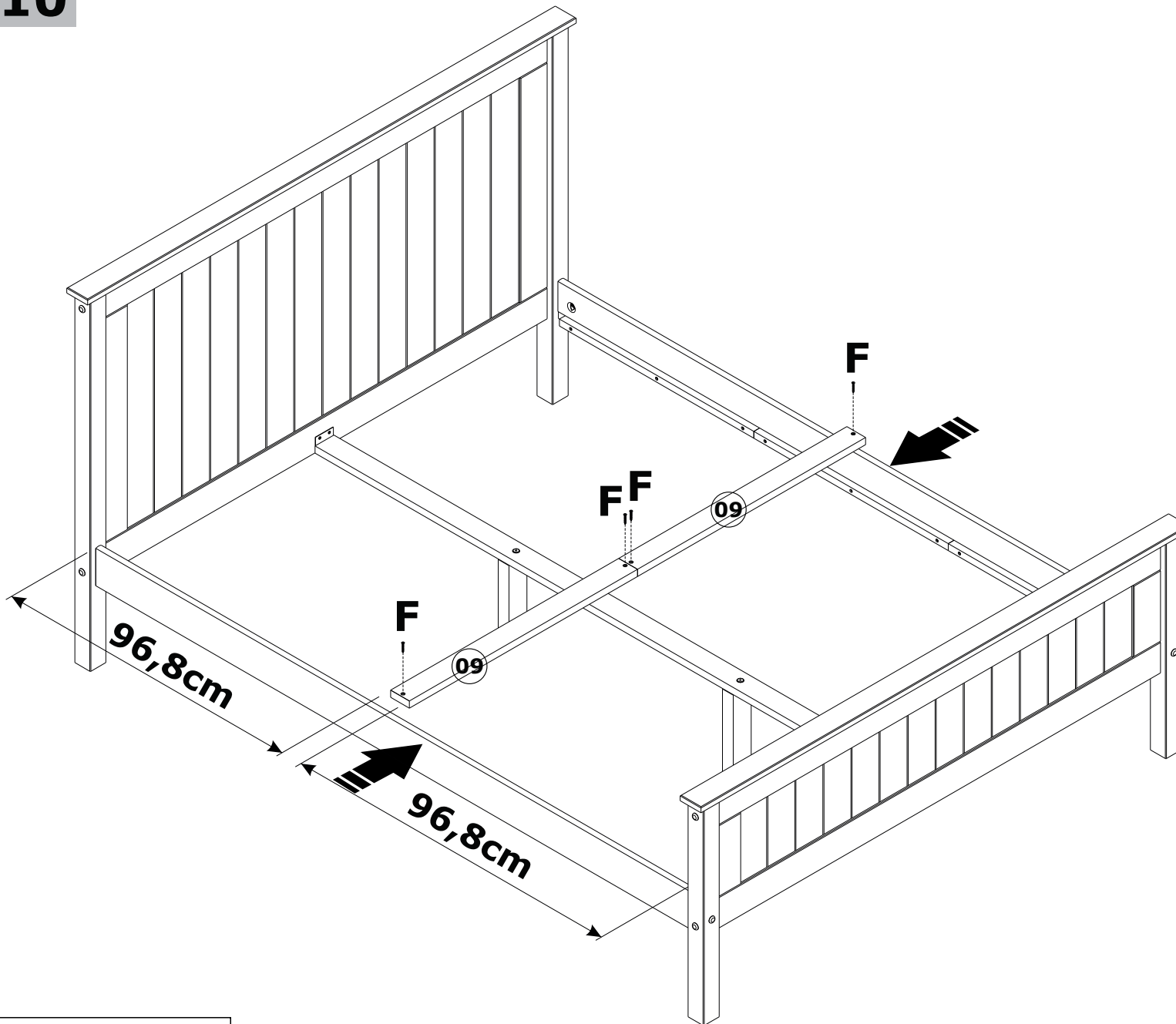
01x  
4mm



09



10

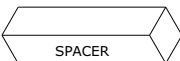


Do Not Use Power Tools

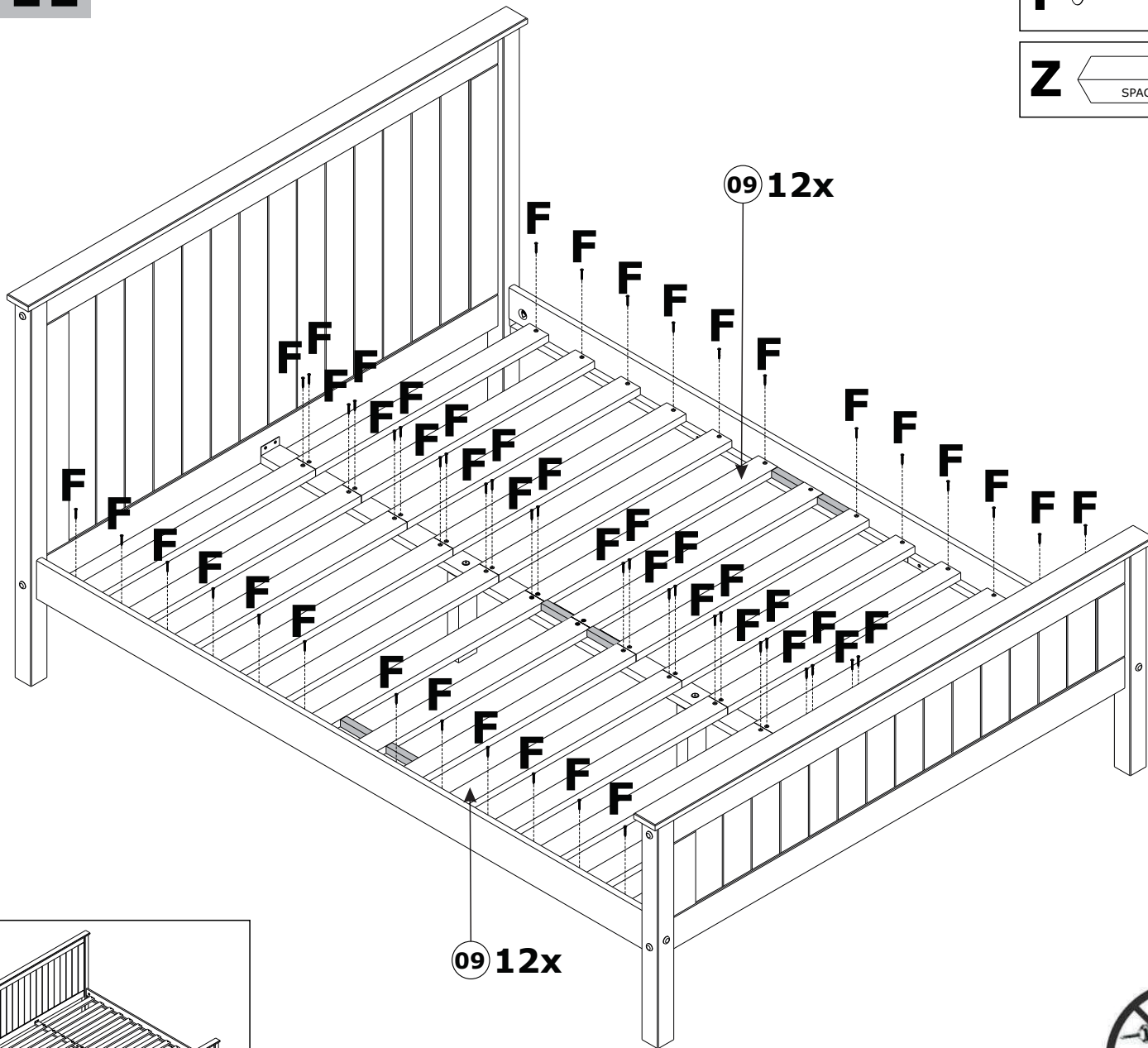
**F**  **04x**  
Ø3,5x30mm

11

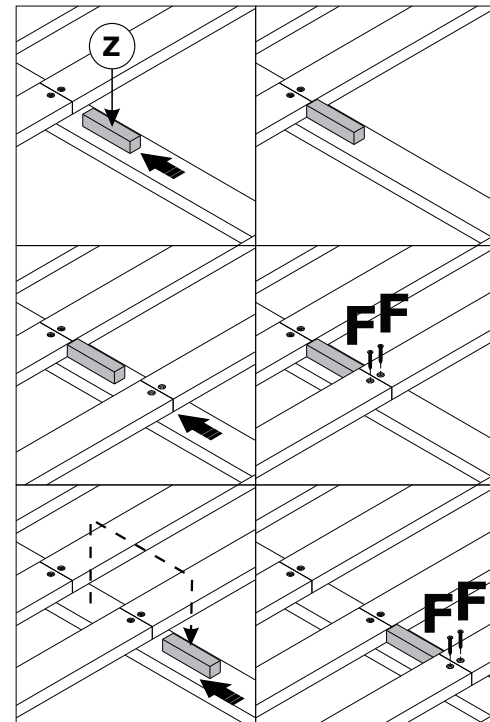
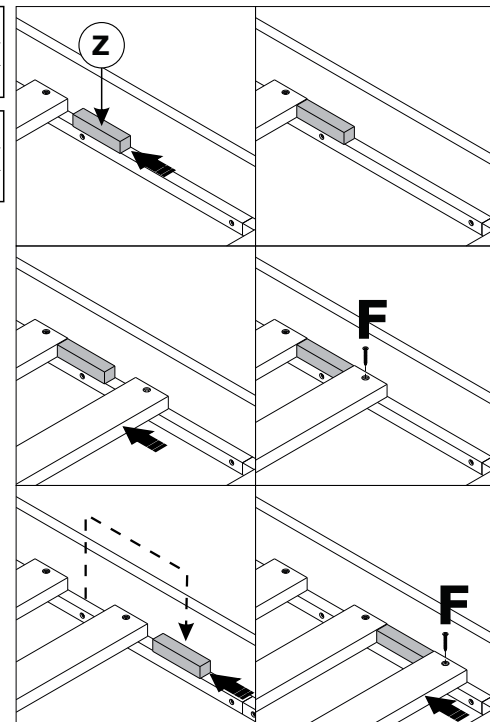
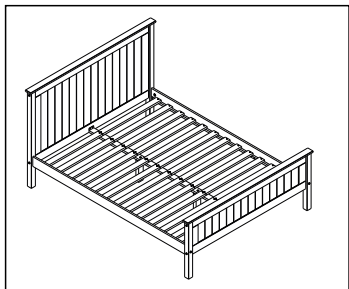
**F**  **48x**  
Ø3,5x30mm

**Z**  **02x**  
SPACER

09 12x



09 12x



Do Not Use Power Tools