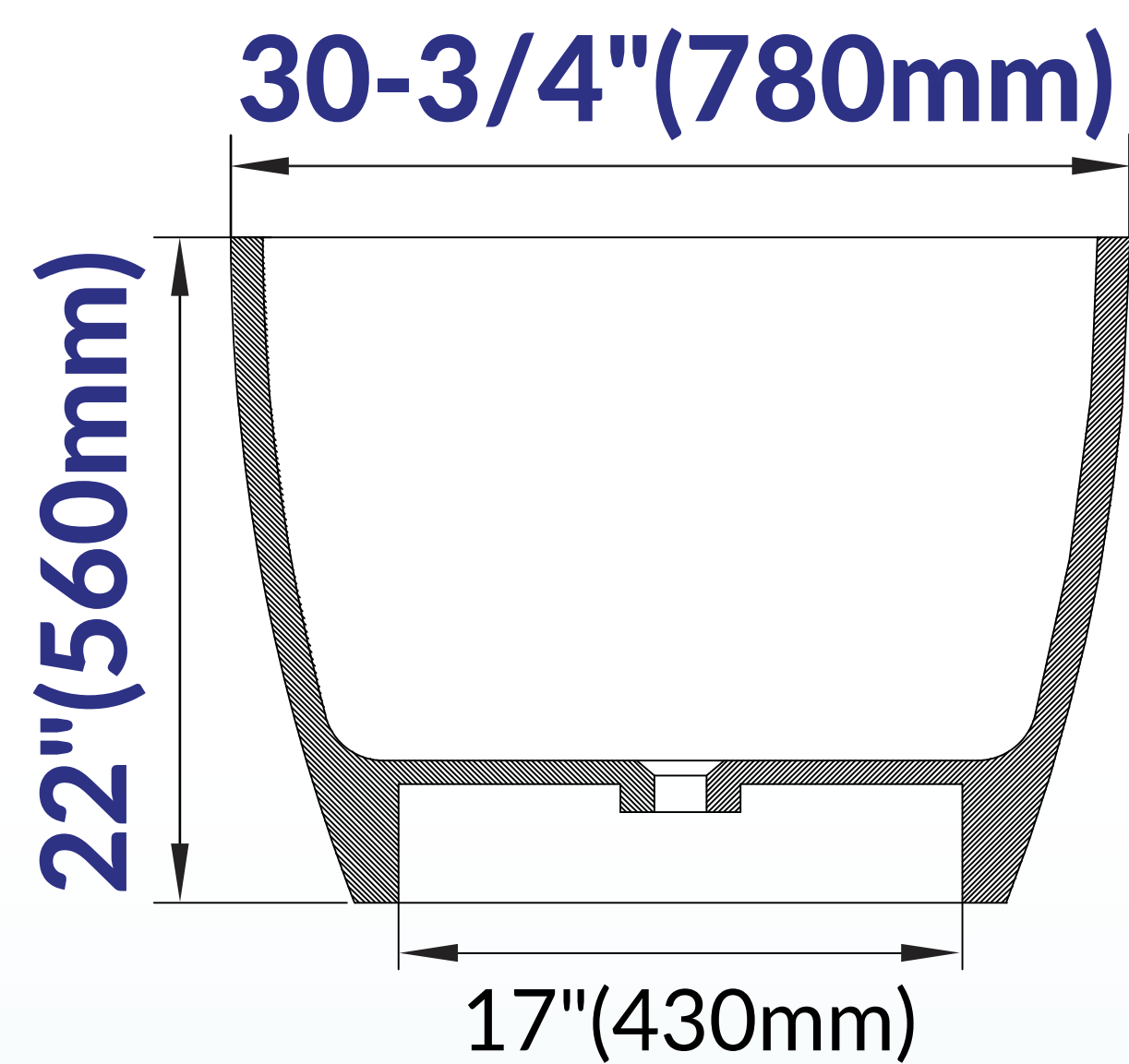
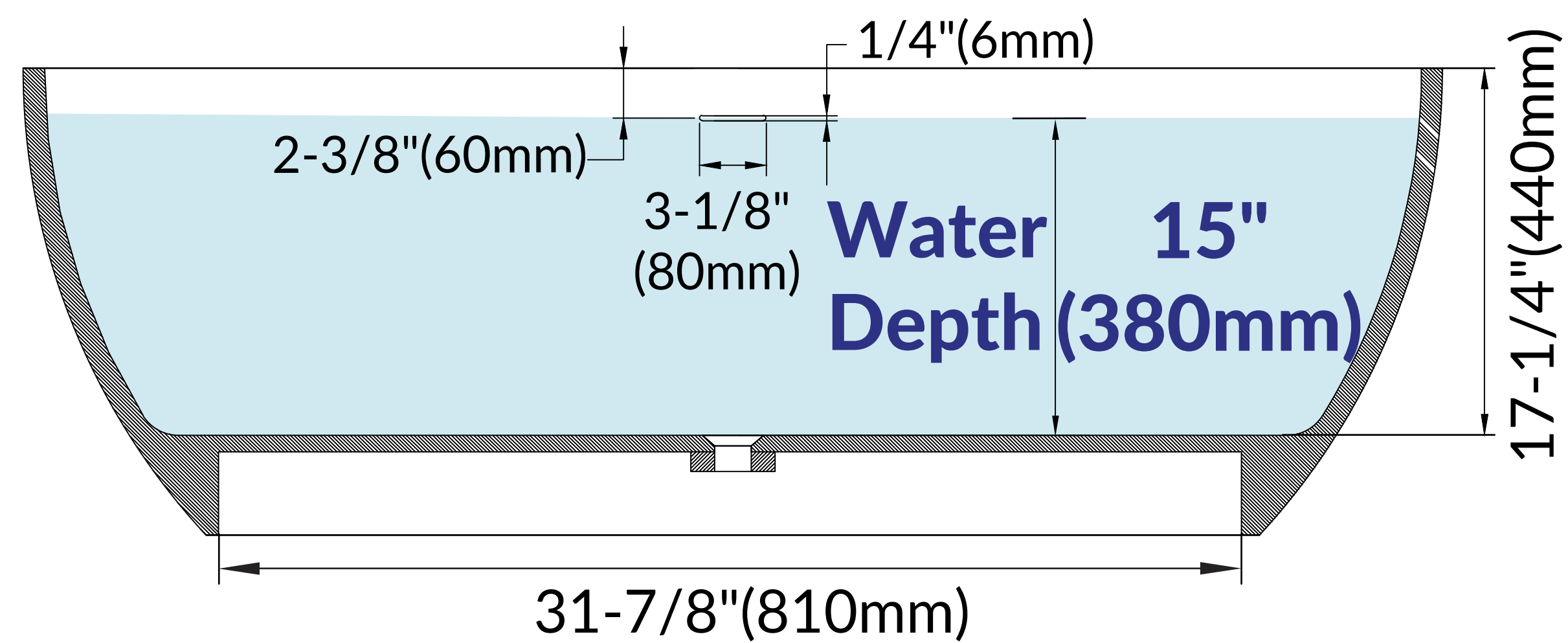
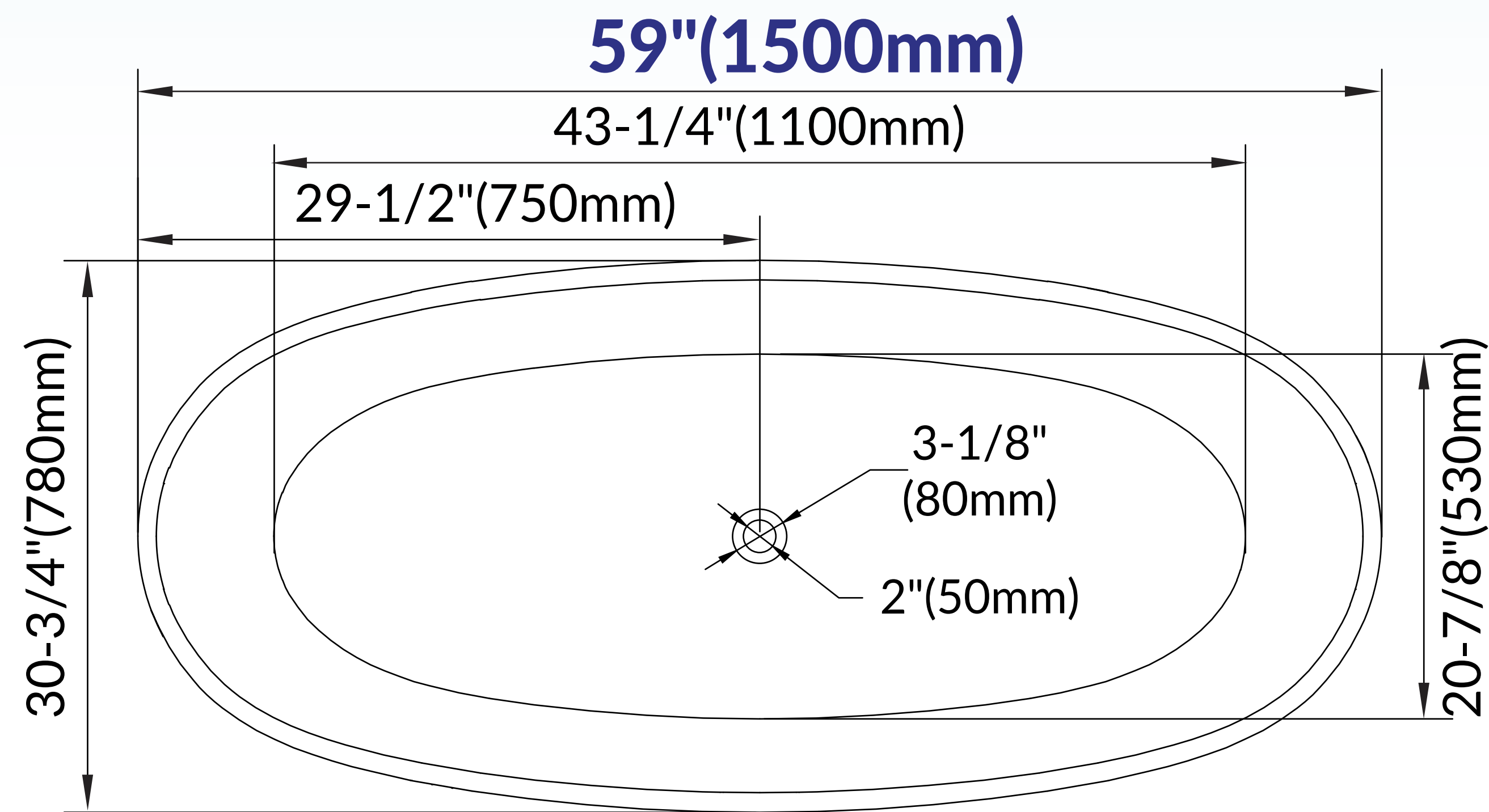


## IMPORTANT INFORMATION

- Measurements are  $\pm 1/2\text{''}$  and subject to change without notice
- Specifications & Configurations are subject to change without notice
- Please measure tub on-site before installation

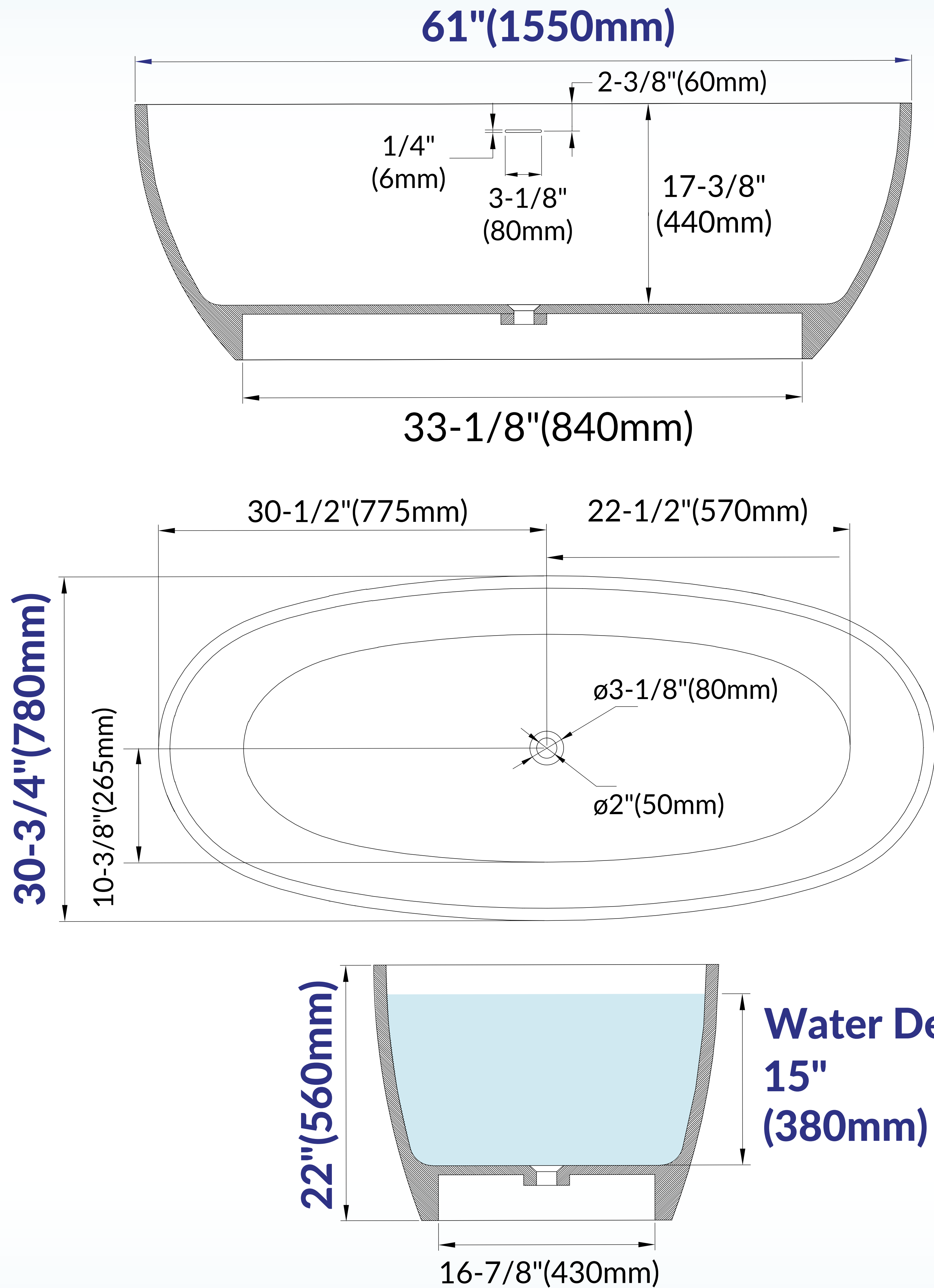
- Measurements herein supersede all others published prior to publication date shown below
- Before ordering or installing, please consider future access to equipment



## IMPORTANT INFORMATION

- Measurements are  $\pm 1/2"$  and subject to change without notice
- Specifications & Configurations are subject to change without notice
- Please measure tub on-site before installation

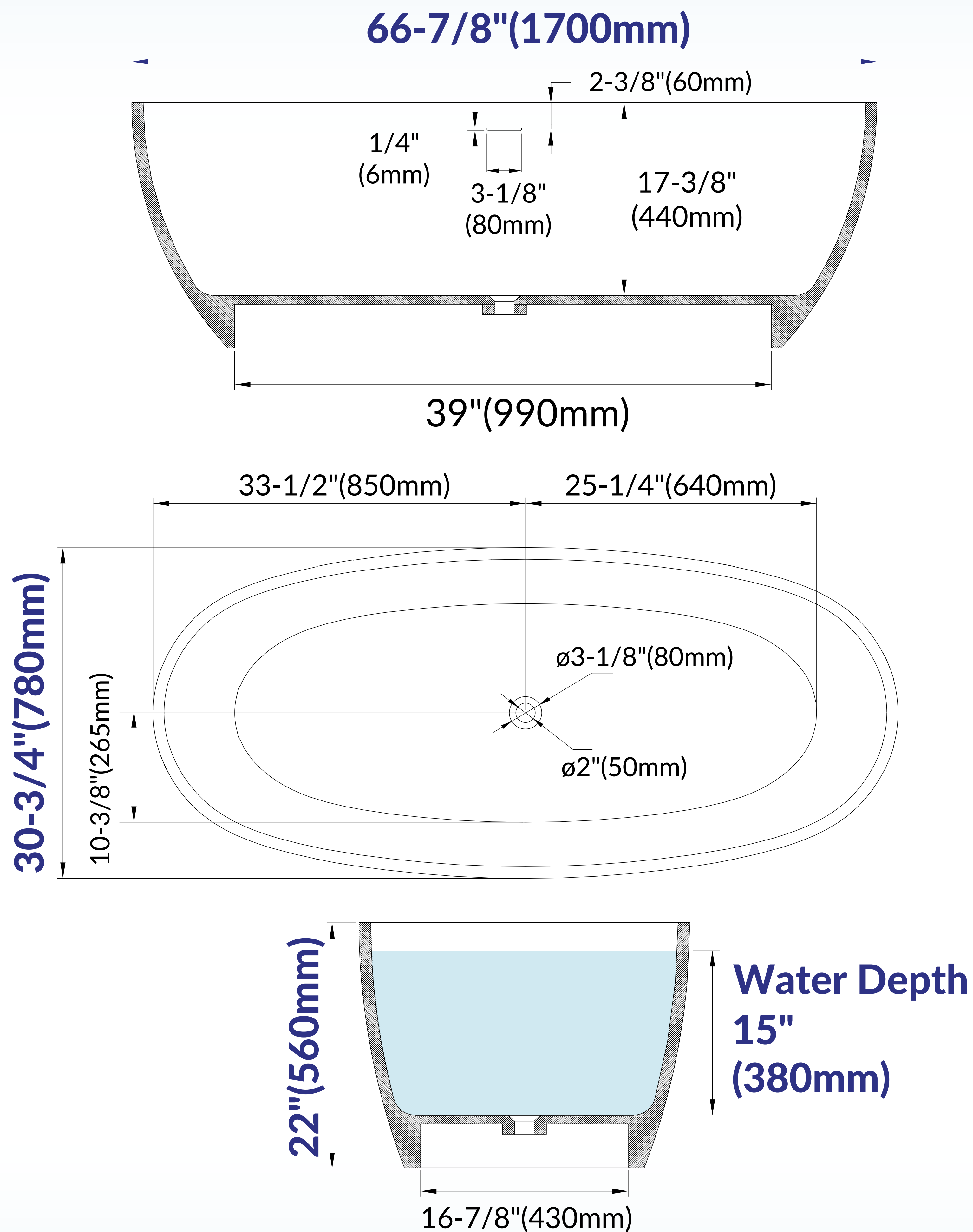
- Measurements herein supersede all others published prior to publication date shown below
- Before ordering or installing, please consider future access to equipment



## IMPORTANT INFORMATION

- Measurements are  $\pm 1/2"$  and subject to change without notice
- Specifications & Configurations are subject to change without notice
- Please measure tub on-site before installation

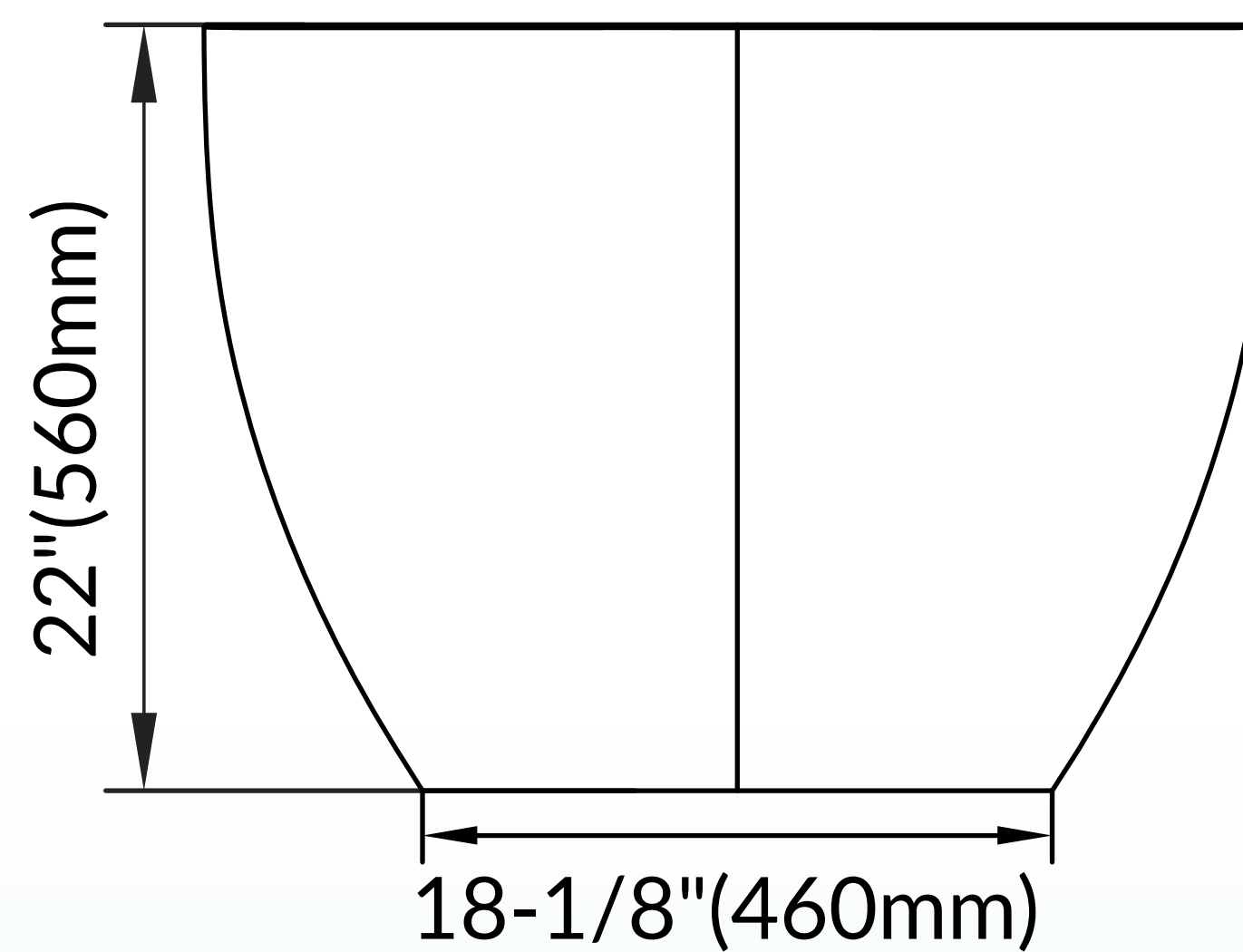
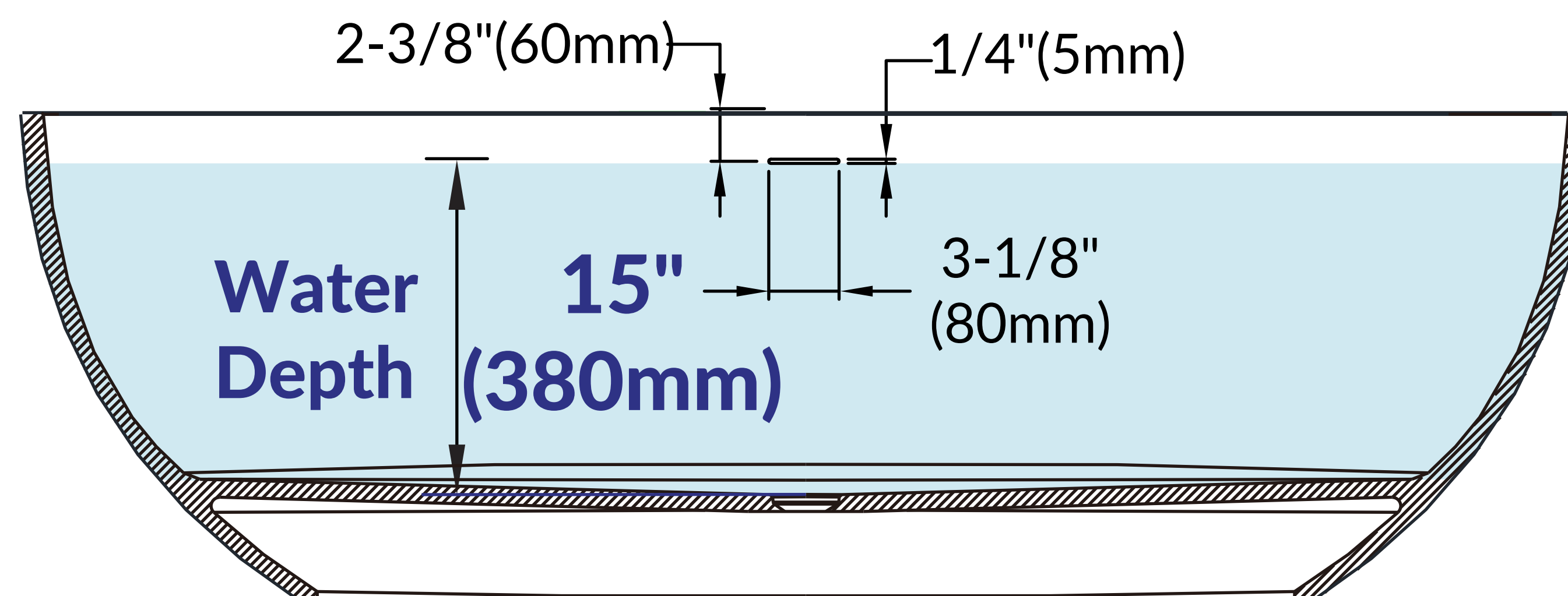
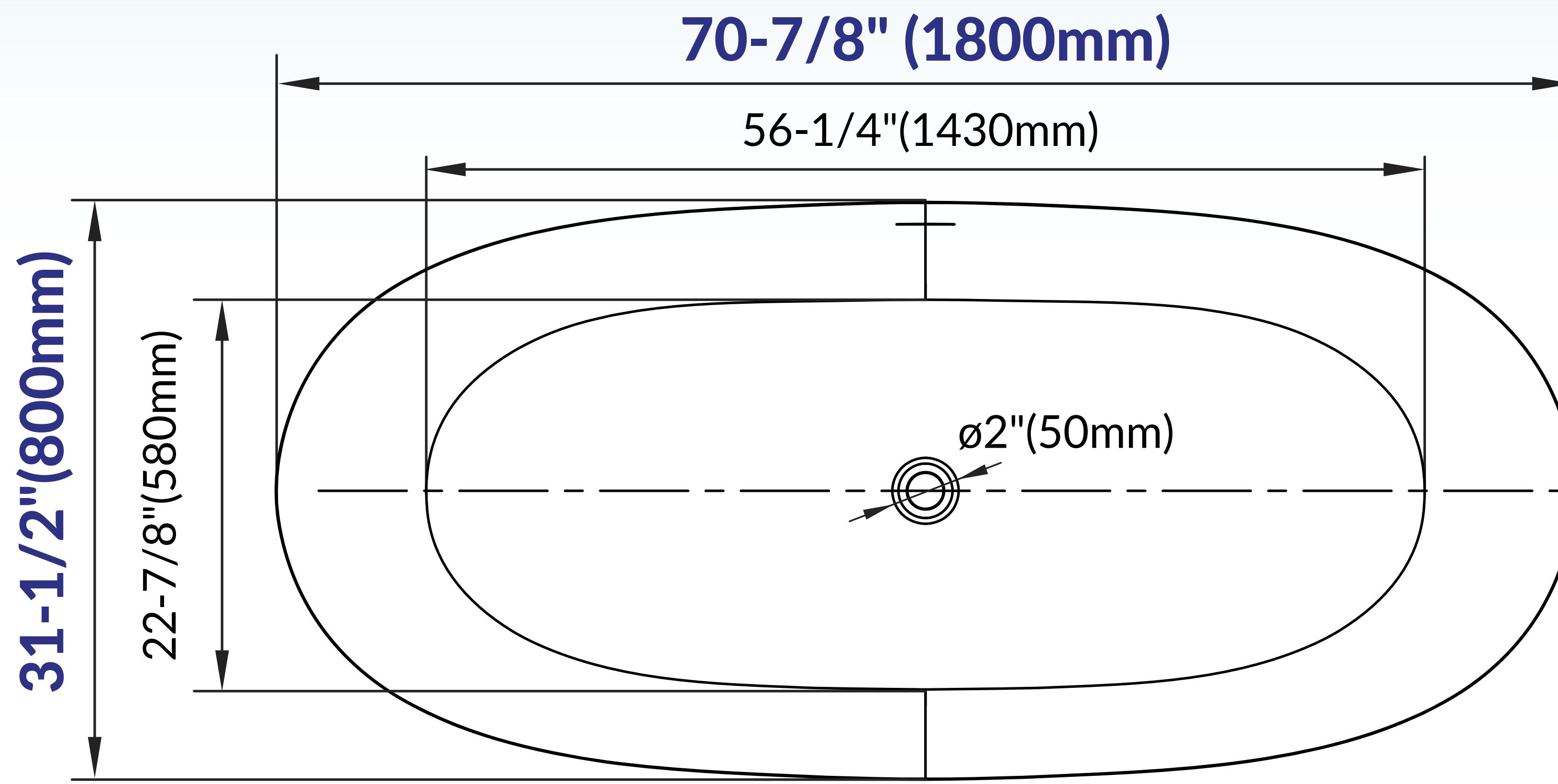
- Measurements herein supersede all others published prior to publication date shown below
- Before ordering or installing, please consider future access to equipment



## IMPORTANT INFORMATION

- Measurements are  $\pm 1/2"$  and subject to change without notice
- Specifications & Configurations are subject to change without notice
- Please measure tub on-site before installation

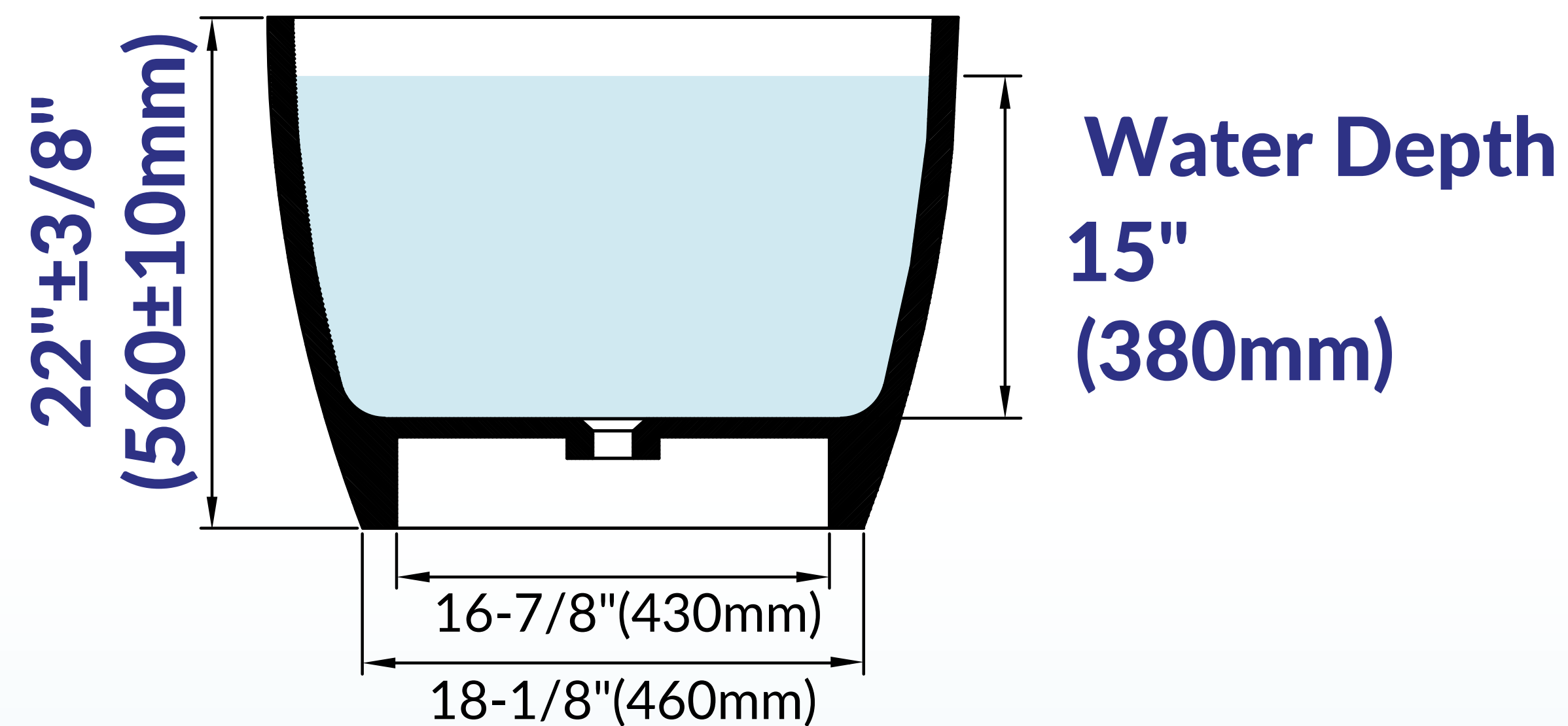
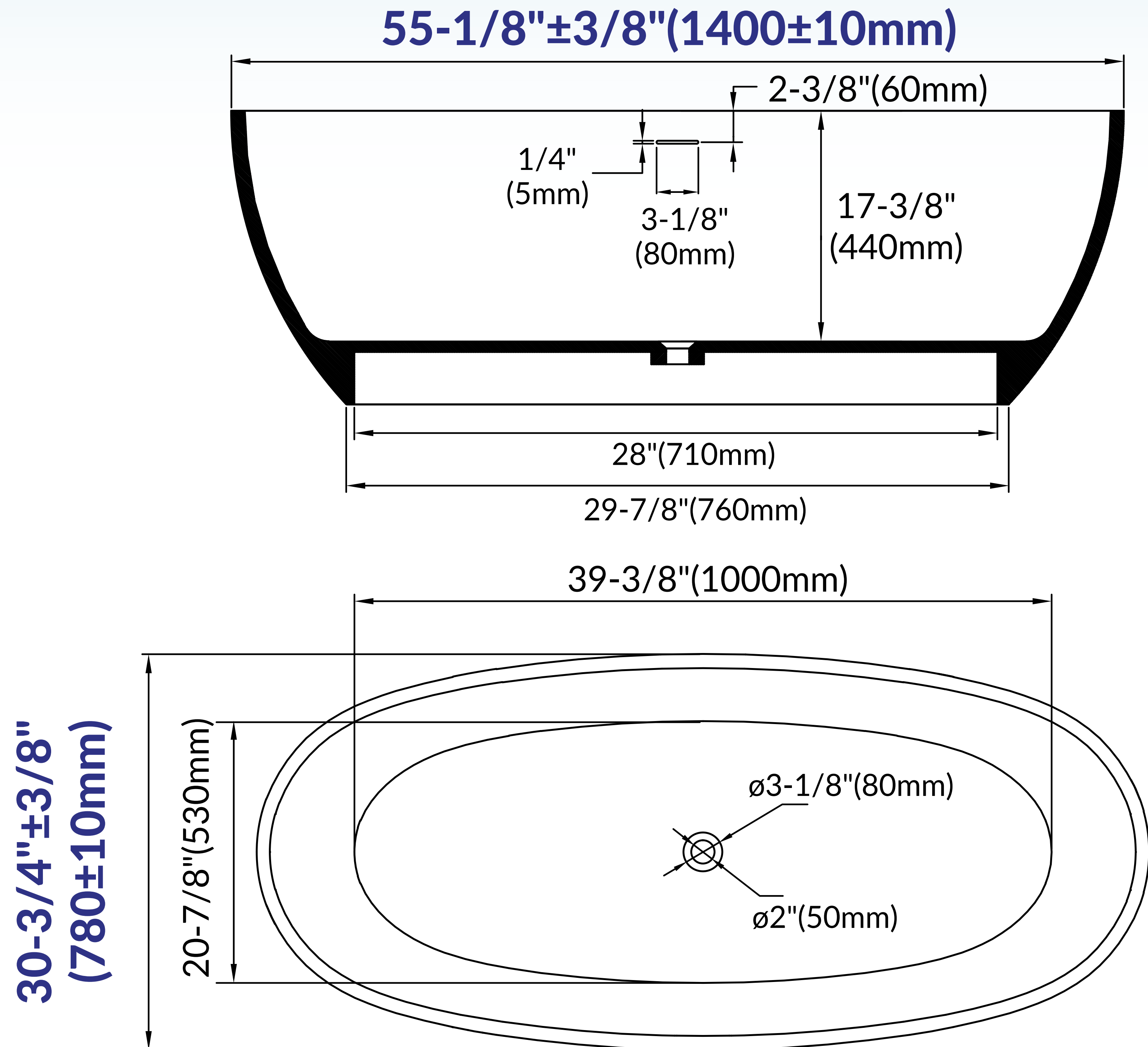
- Measurements herein supersede all others published prior to publication date shown below
- Before ordering or installing, please consider future access to equipment



## IMPORTANT INFORMATION

- Measurements are  $\pm 1/2"$  and subject to change without notice
- Specifications & Configurations are subject to change without notice
- Please measure tub on-site before installation

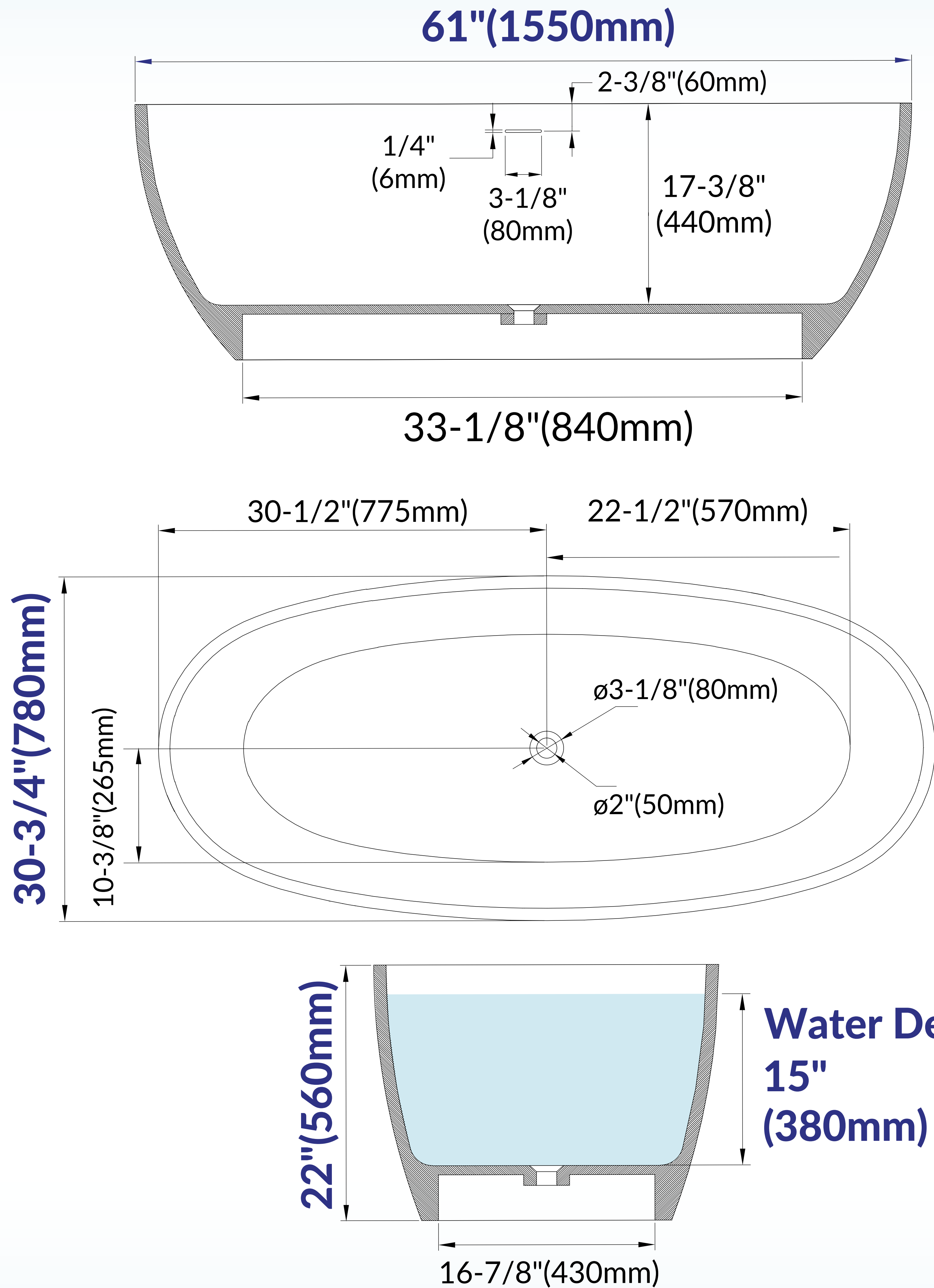
- Measurements herein supersede all others published prior to publication date shown below
- Before ordering or installing, please consider future access to equipment



## IMPORTANT INFORMATION

- Measurements are  $\pm 1/2\text{''}$  and subject to change without notice
- Specifications & Configurations are subject to change without notice
- Please measure tub on-site before installation

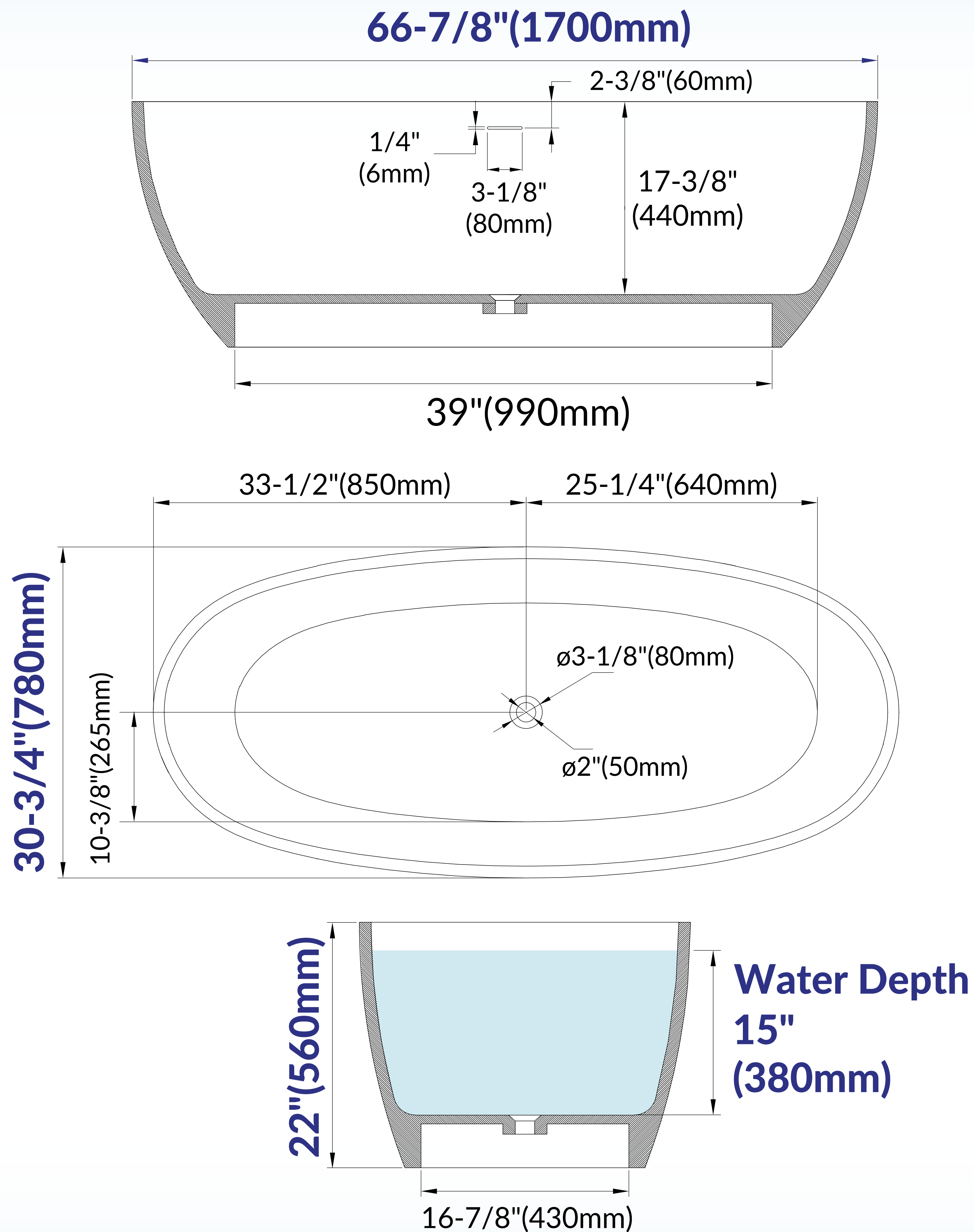
- Measurements herein supersede all others published prior to publication date shown below
- Before ordering or installing, please consider future access to equipment



## IMPORTANT INFORMATION

- Measurements are  $\pm 1/2"$  and subject to change without notice
- Specifications & Configurations are subject to change without notice
- Please measure tub on-site before installation

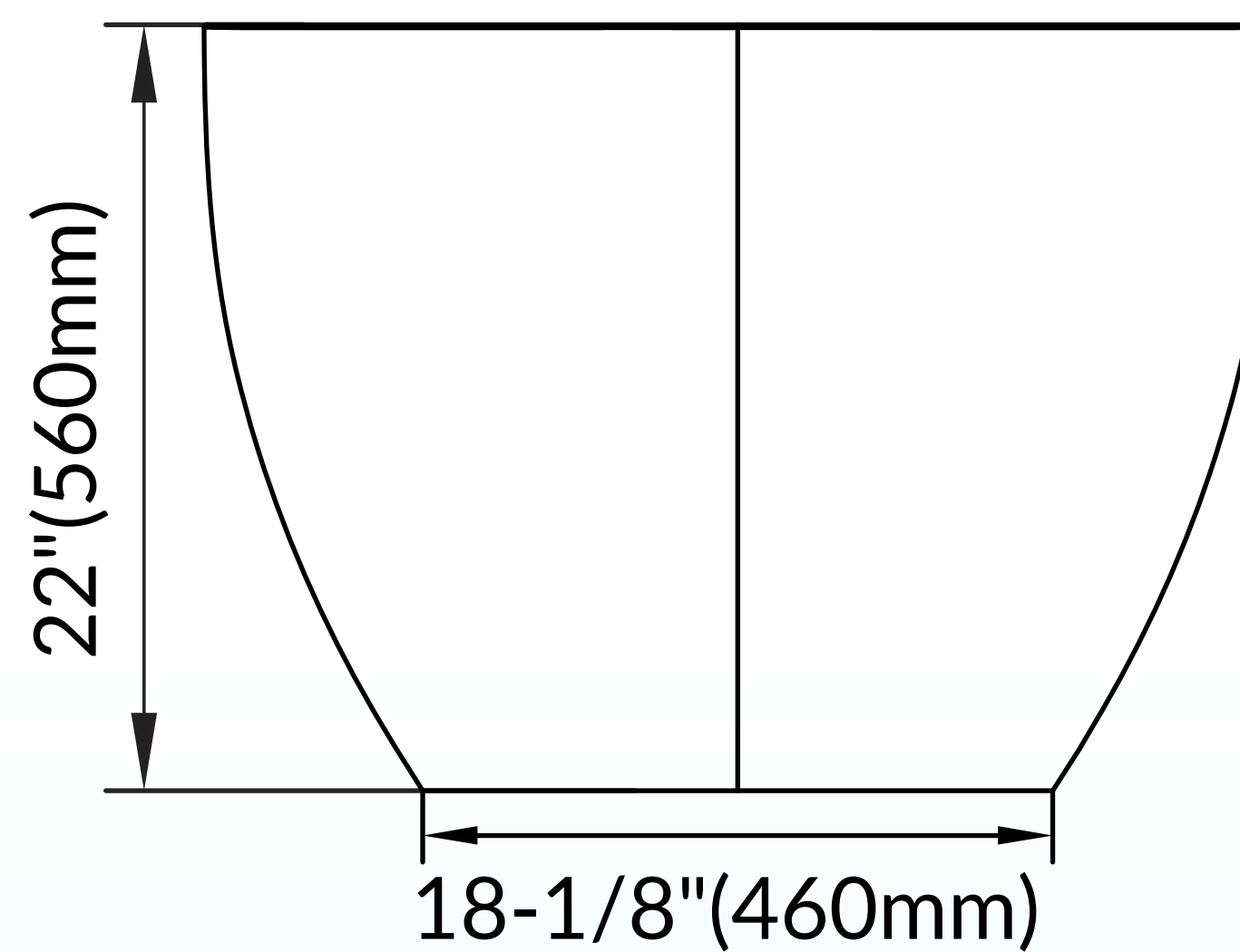
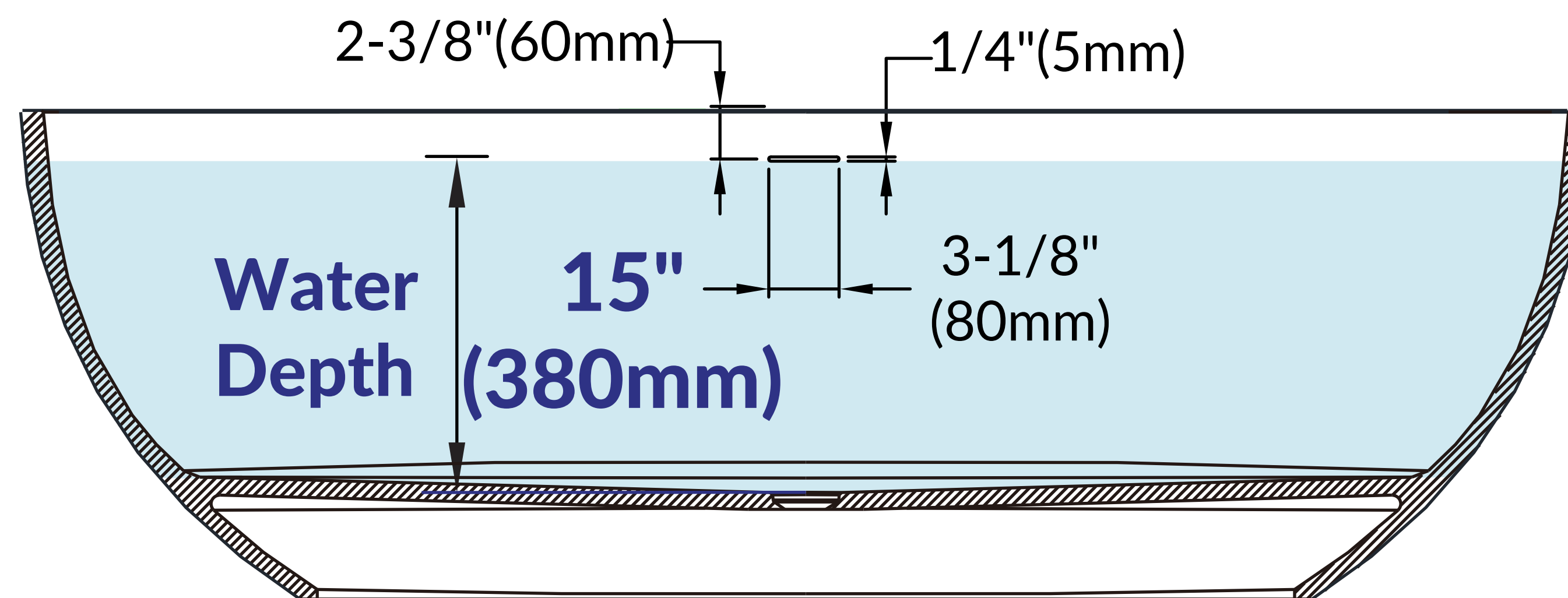
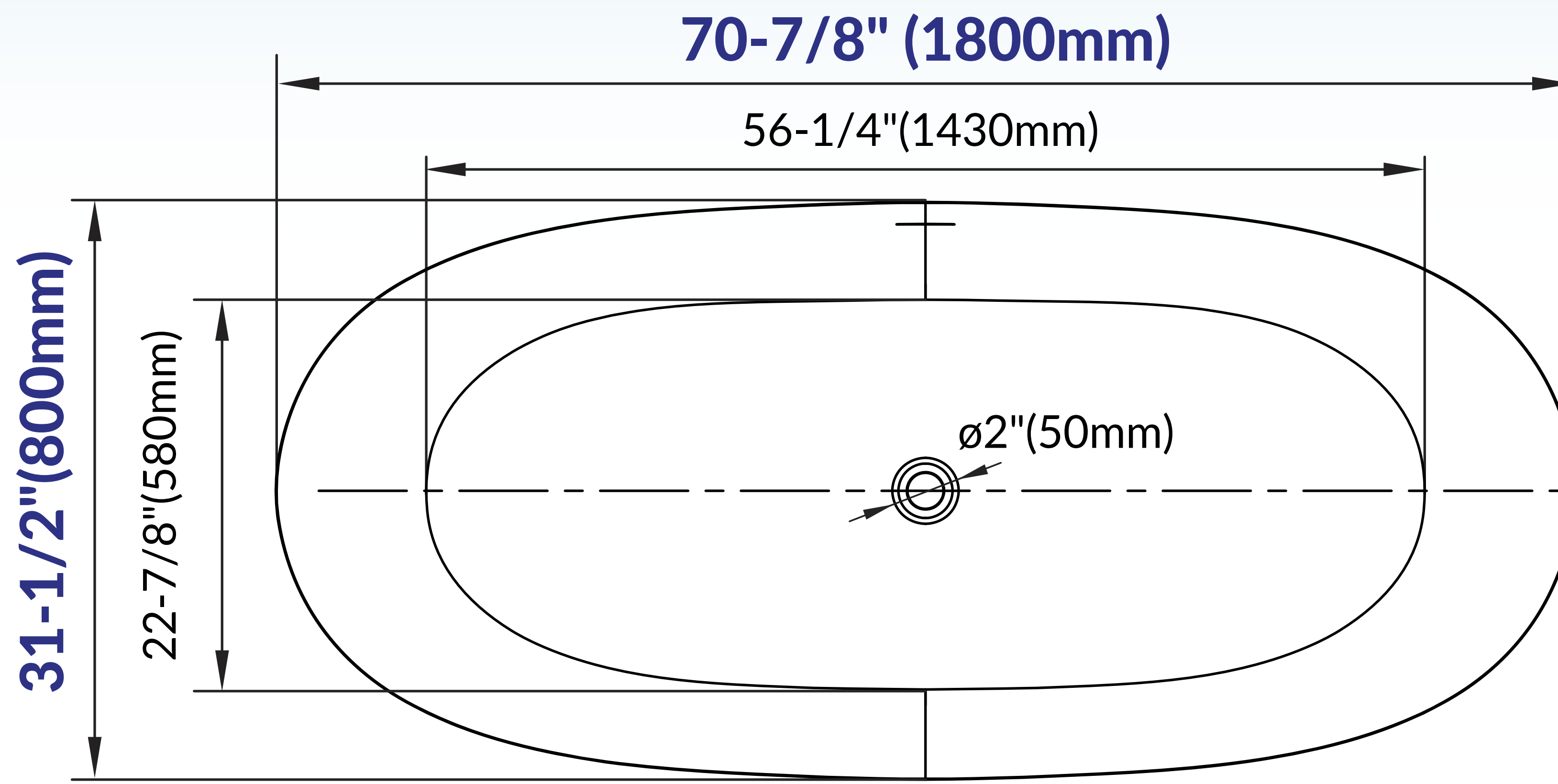
- Measurements herein supersede all others published prior to publication date shown below
- Before ordering or installing, please consider future access to equipment



## IMPORTANT INFORMATION

- Measurements are  $\pm 1/2"$  and subject to change without notice
- Specifications & Configurations are subject to change without notice
- Please measure tub on-site before installation

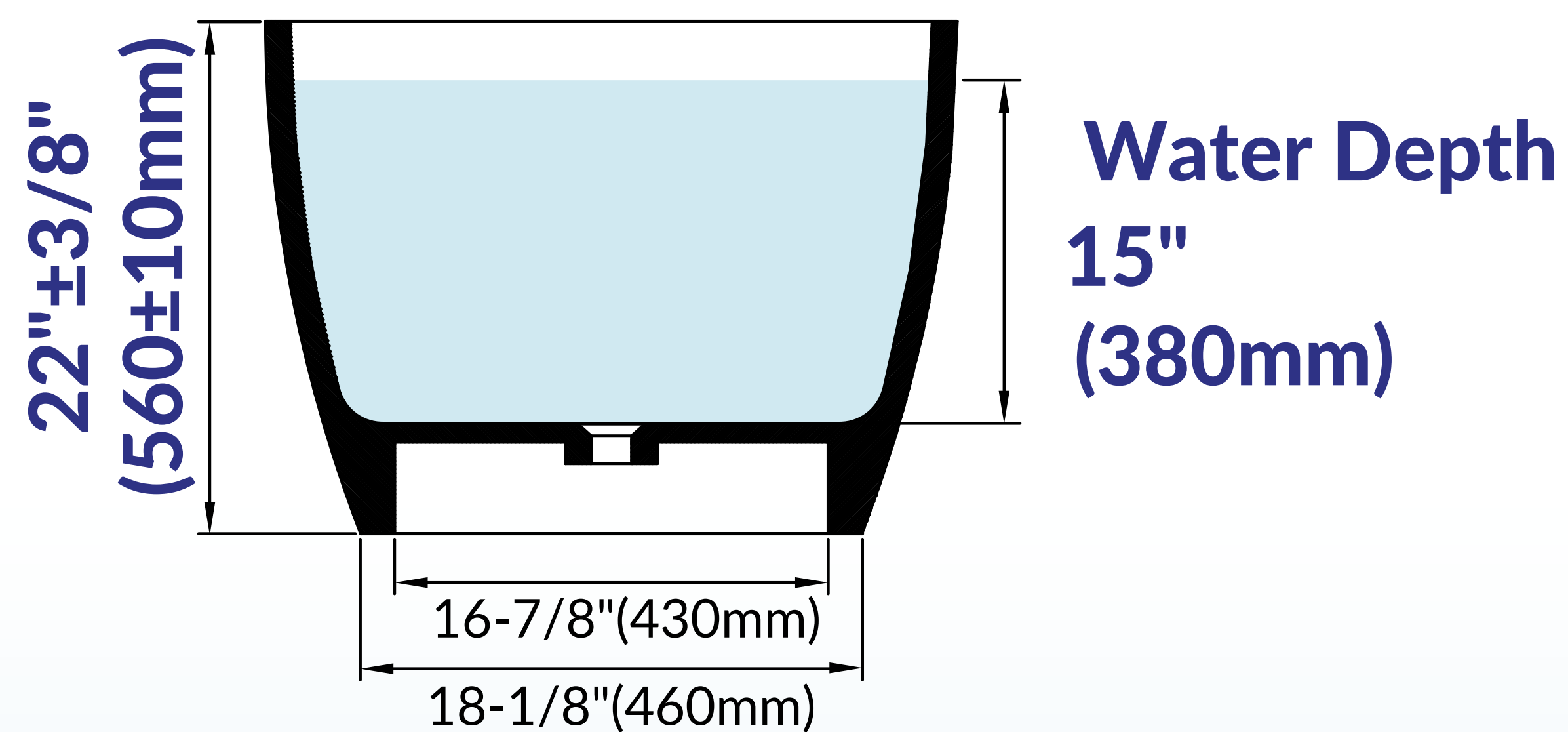
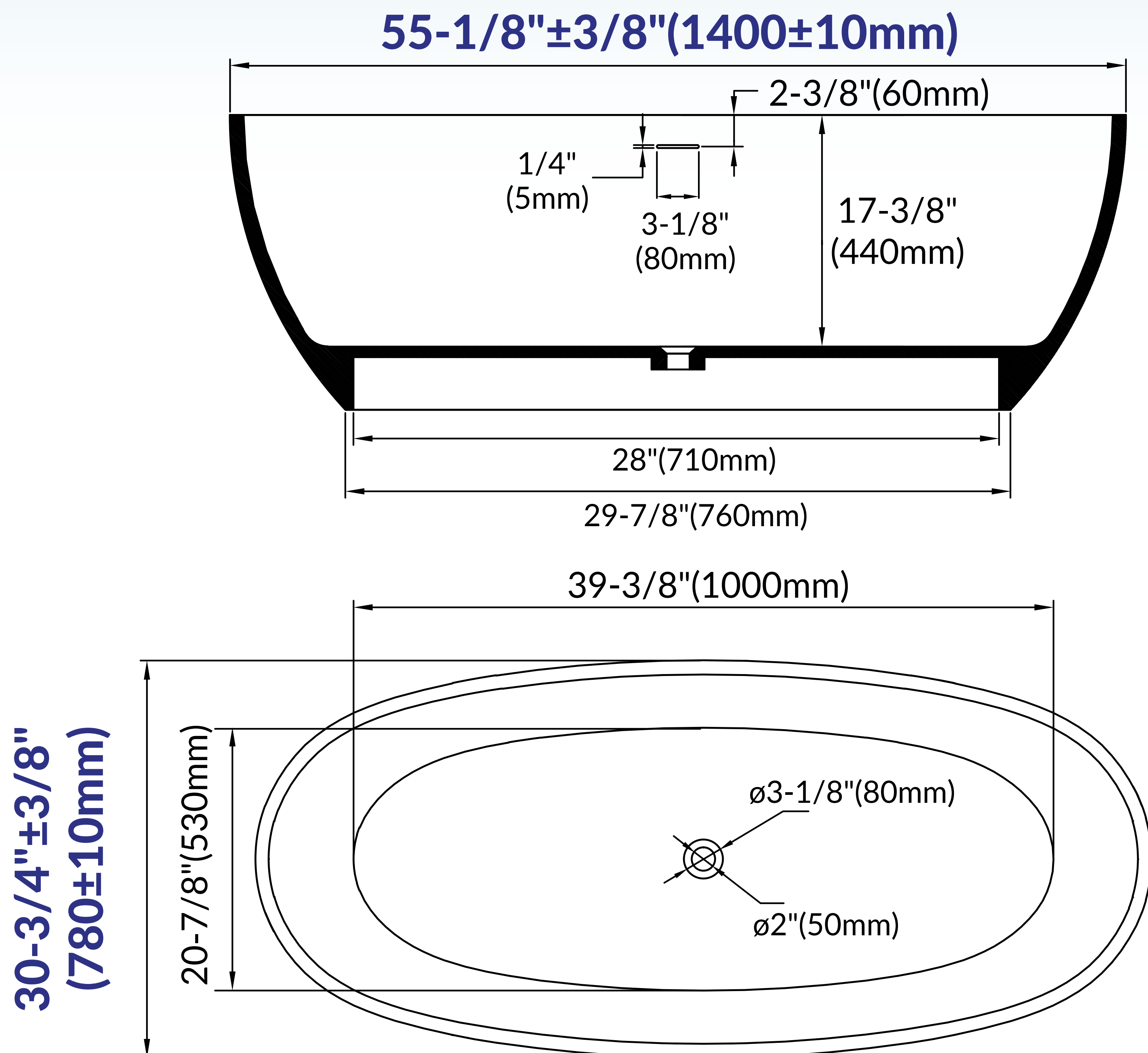
- Measurements herein supersede all others published prior to publication date shown below
- Before ordering or installing, please consider future access to equipment



## IMPORTANT INFORMATION

- Measurements are  $\pm 1/2"$  and subject to change without notice
- Specifications & Configurations are subject to change without notice
- Please measure tub on-site before installation

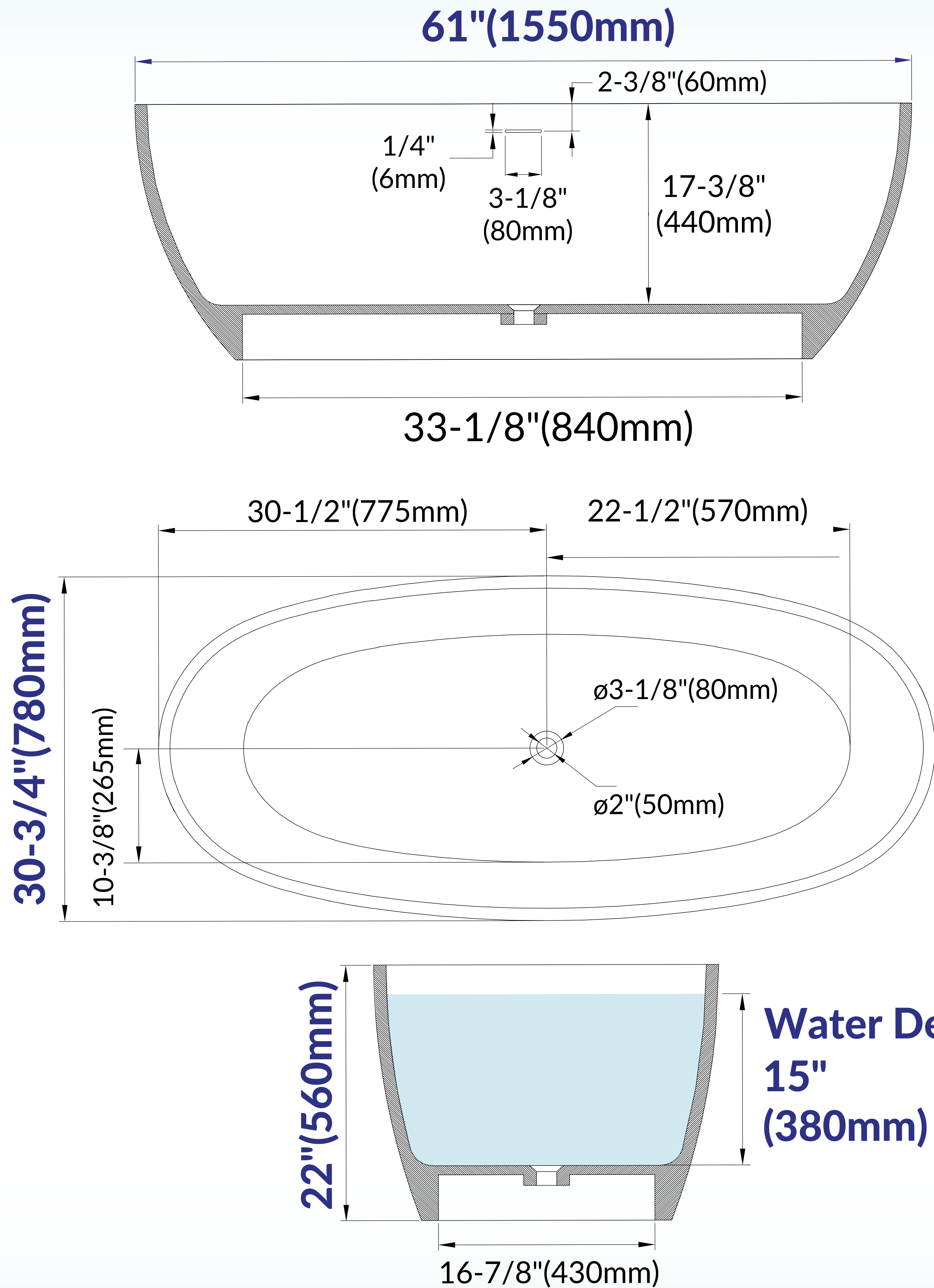
- Measurements herein supersede all others published prior to publication date shown below
- Before ordering or installing, please consider future access to equipment



## IMPORTANT INFORMATION

- Measurements are ± 1/2" and subject to change without notice
- Specifications & Configurations are subject to change without notice
- Please measure tub on-site before installation

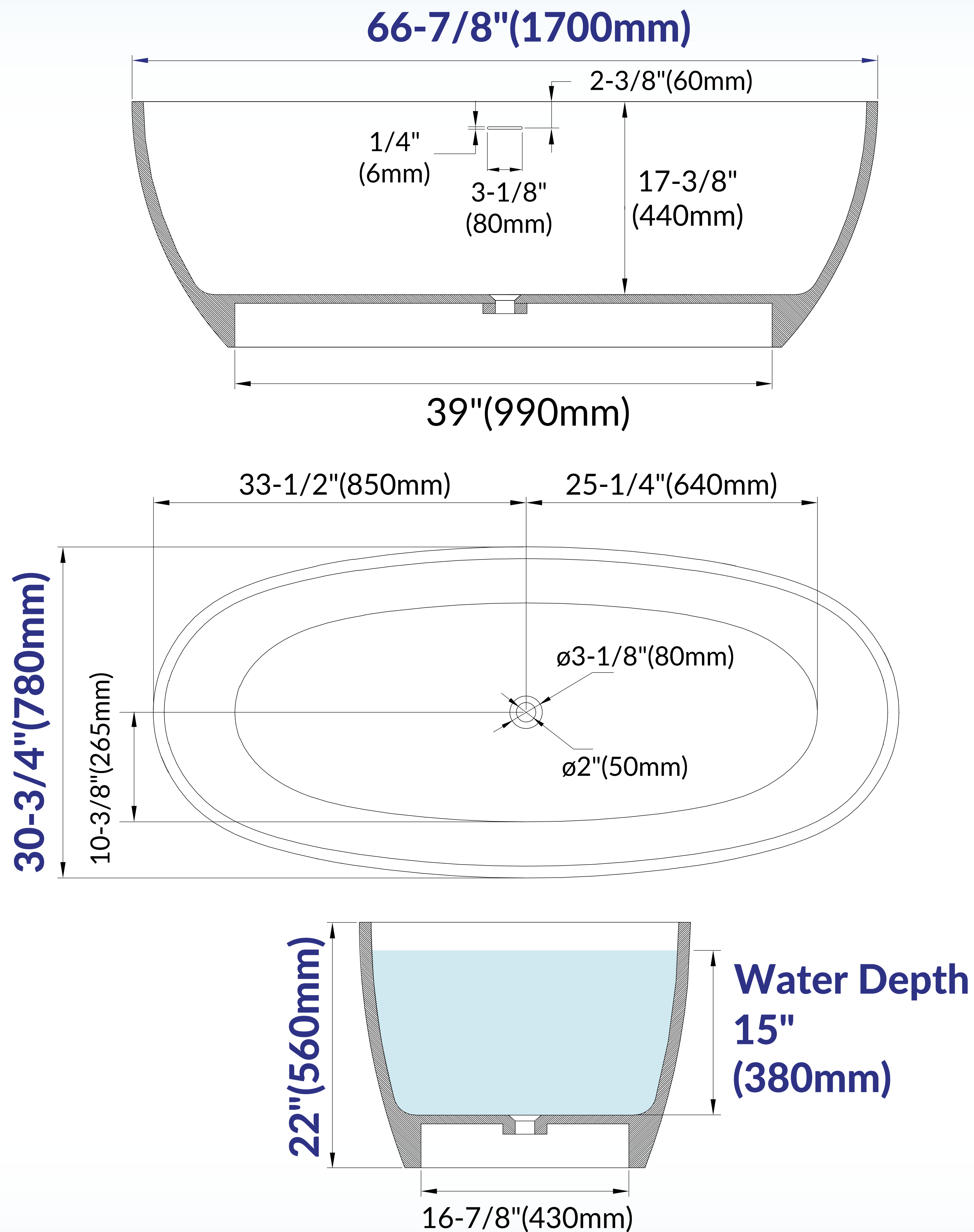
- Measurements herein supersede all others published prior to publication date shown below
- Before ordering or installing, please consider future access to equipment



## IMPORTANT INFORMATION

- Measurements are  $\pm 1/2"$  and subject to change without notice
- Specifications & Configurations are subject to change without notice
- Please measure tub on-site before installation

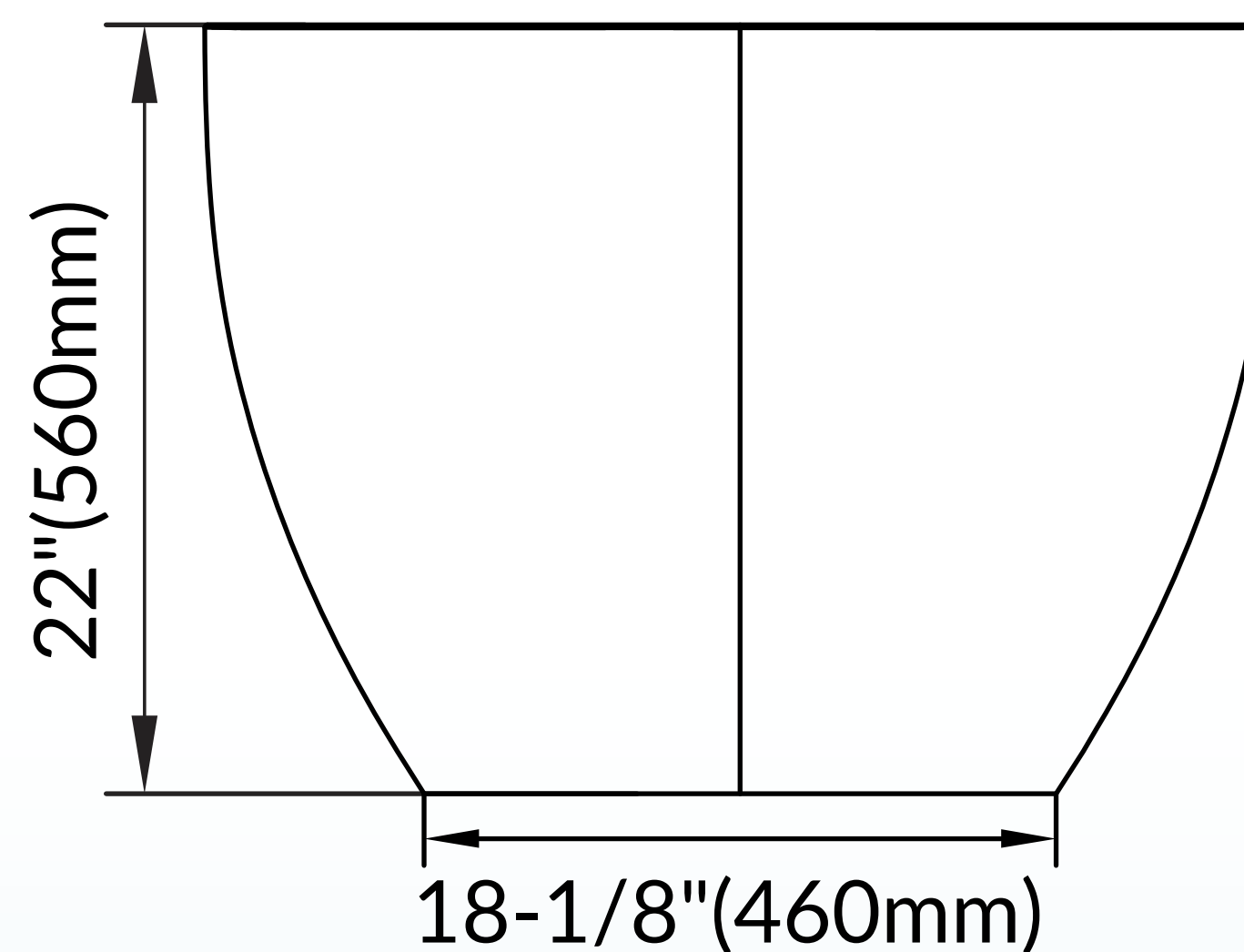
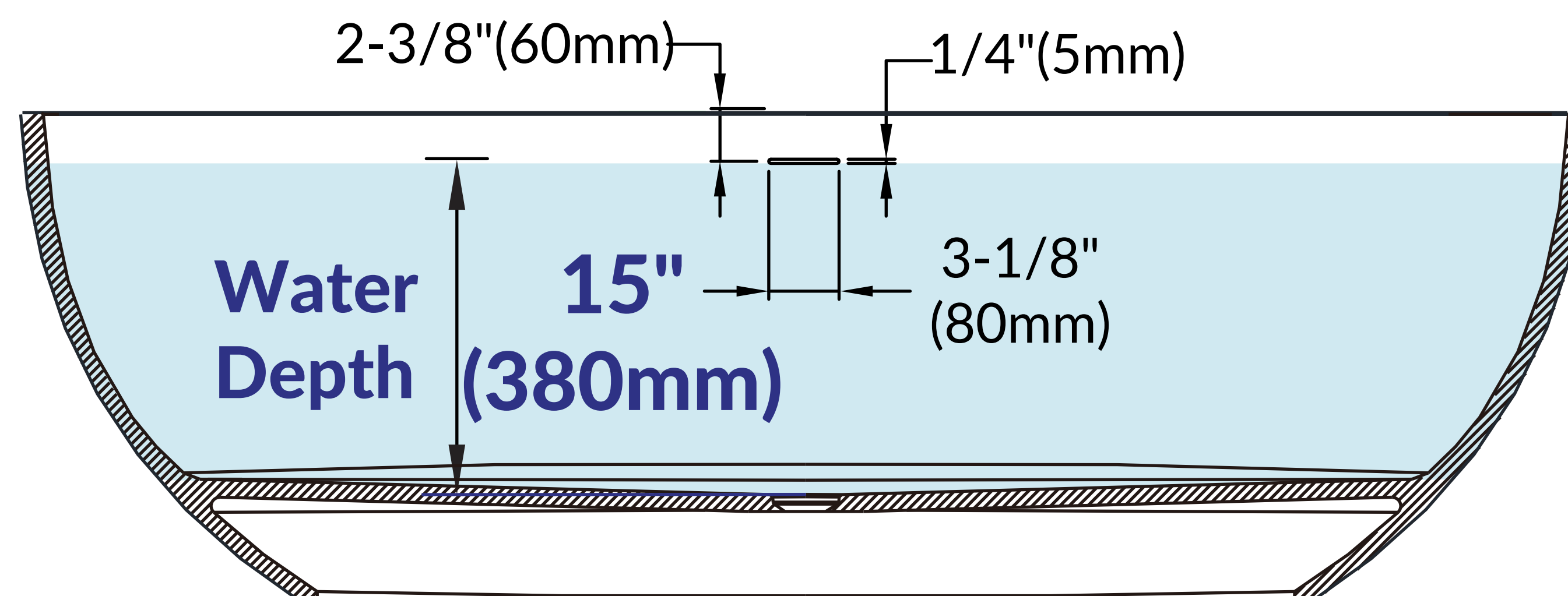
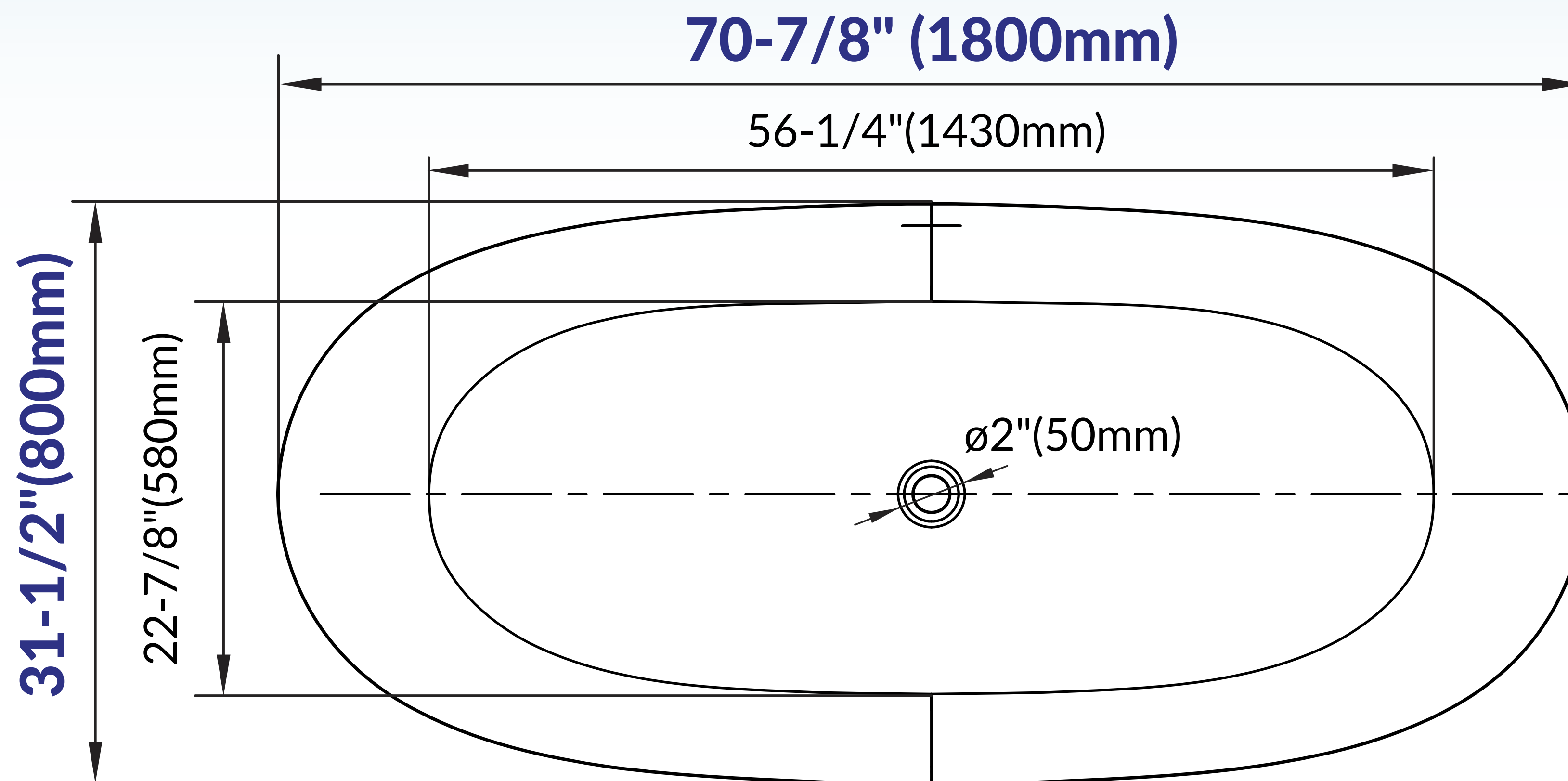
- Measurements herein supersede all others published prior to publication date shown below
- Before ordering or installing, please consider future access to equipment



## IMPORTANT INFORMATION

- Measurements are  $\pm 1/2"$  and subject to change without notice
- Specifications & Configurations are subject to change without notice
- Please measure tub on-site before installation

- Measurements herein supersede all others published prior to publication date shown below
- Before ordering or installing, please consider future access to equipment



## IMPORTANT INFORMATION

- Measurements are  $\pm 1/2"$  and subject to change without notice
- Specifications & Configurations are subject to change without notice
- Please measure tub on-site before installation

- Measurements herein supersede all others published prior to publication date shown below
- Before ordering or installing, please consider future access to equipment