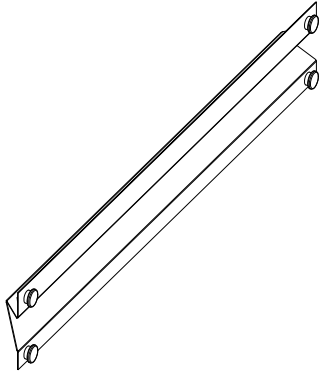
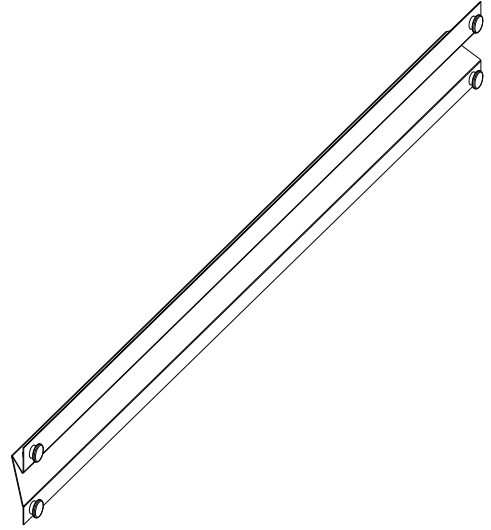


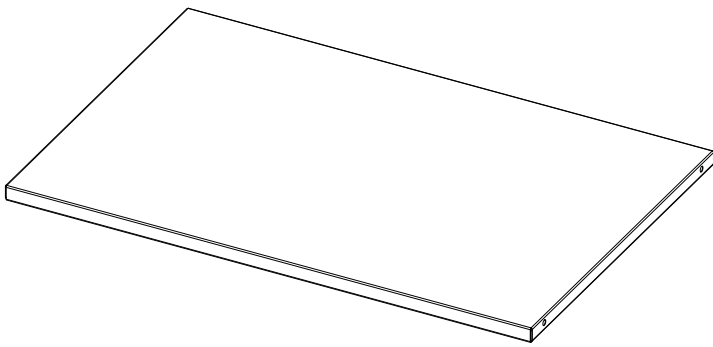
1×12pcs



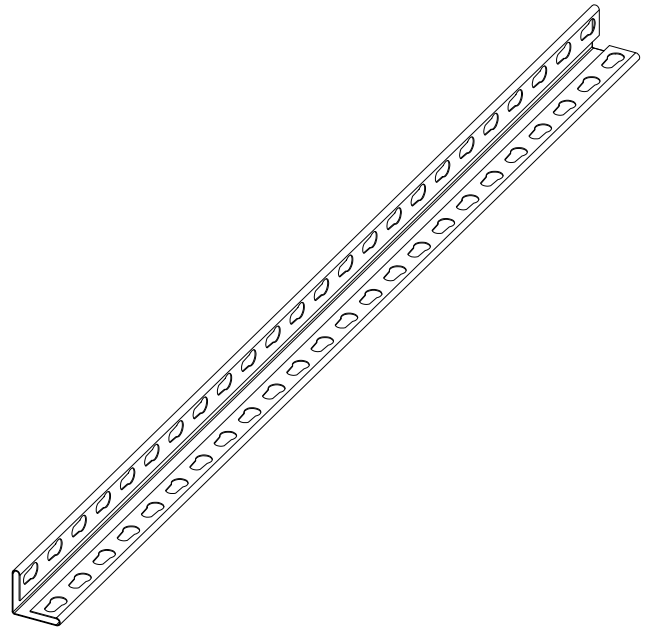
2×12pcs



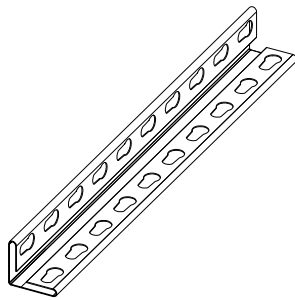
3×6pcs



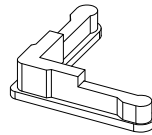
4×4pcs



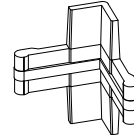
5×4pcs



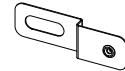
A×8pcs



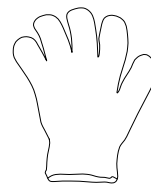
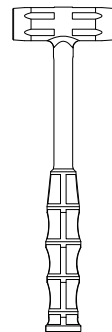
B×4pcs



C×2pcs



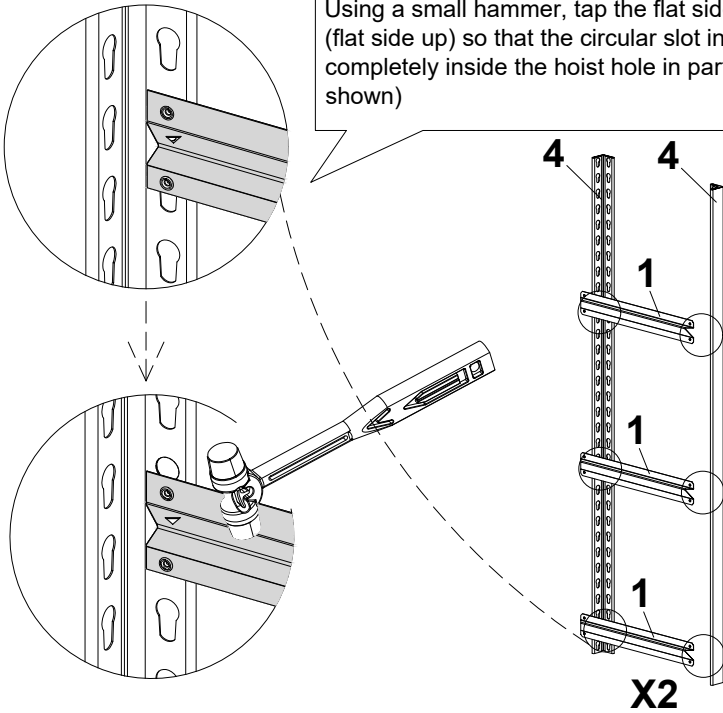
D×2pcs



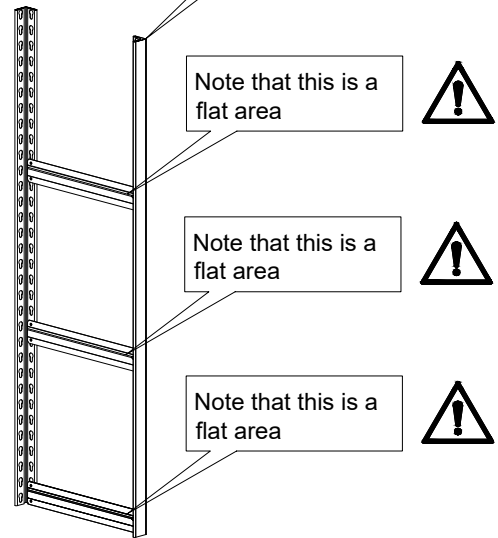
1

Note that the hoist hole in part #4 has the large opening facing up and the small opening facing down.

Using a small hammer, tap the flat side of part #1 (flat side up) so that the circular slot in part #1 is completely inside the hoist hole in part #4 (as shown)



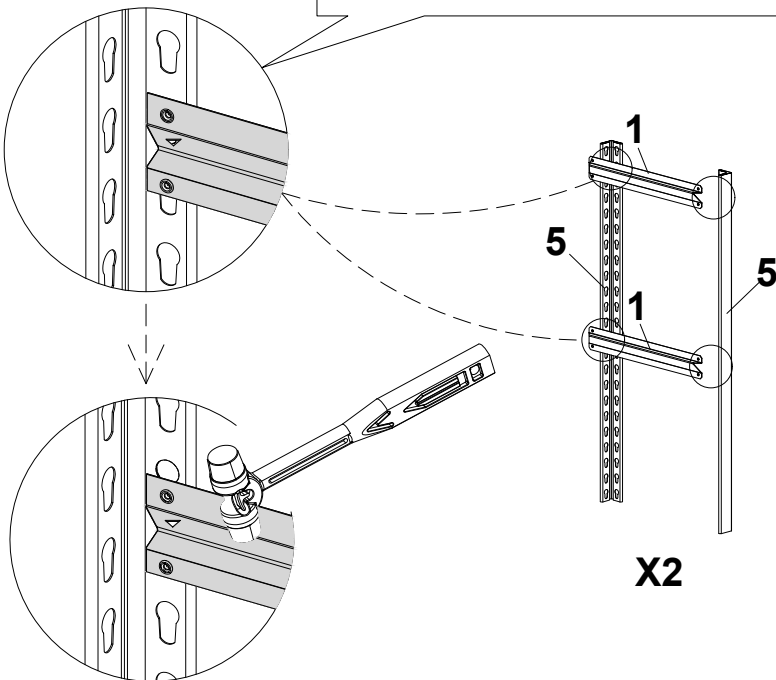
Install the other lower side frame in the same way, taking care to keep the installation height consistent



This product supports custom spacing between partitions on each layer. It is recommended to install Attachment 1 at the lowest and middle ends of Attachment 4 during the installation process

2

Using a small hammer, tap the flat surface of part #1 (with the flat surface facing up) so that the circular slot in part #1 is completely inside the hoist hole in part #5 (as shown), and note that the hoist hole in part #5 has the large opening facing up and the small opening facing down.



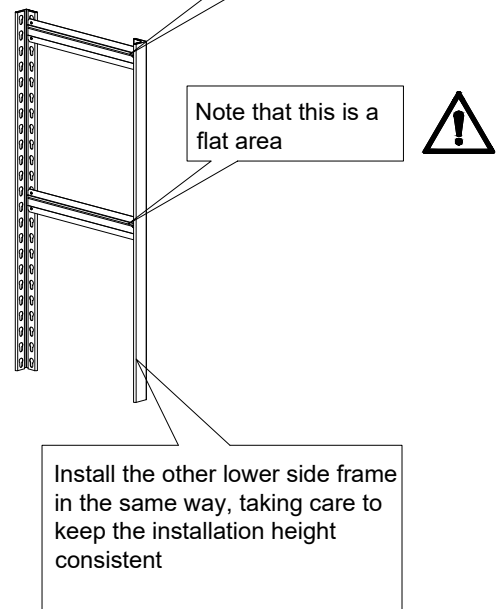
Note that this is a flat area



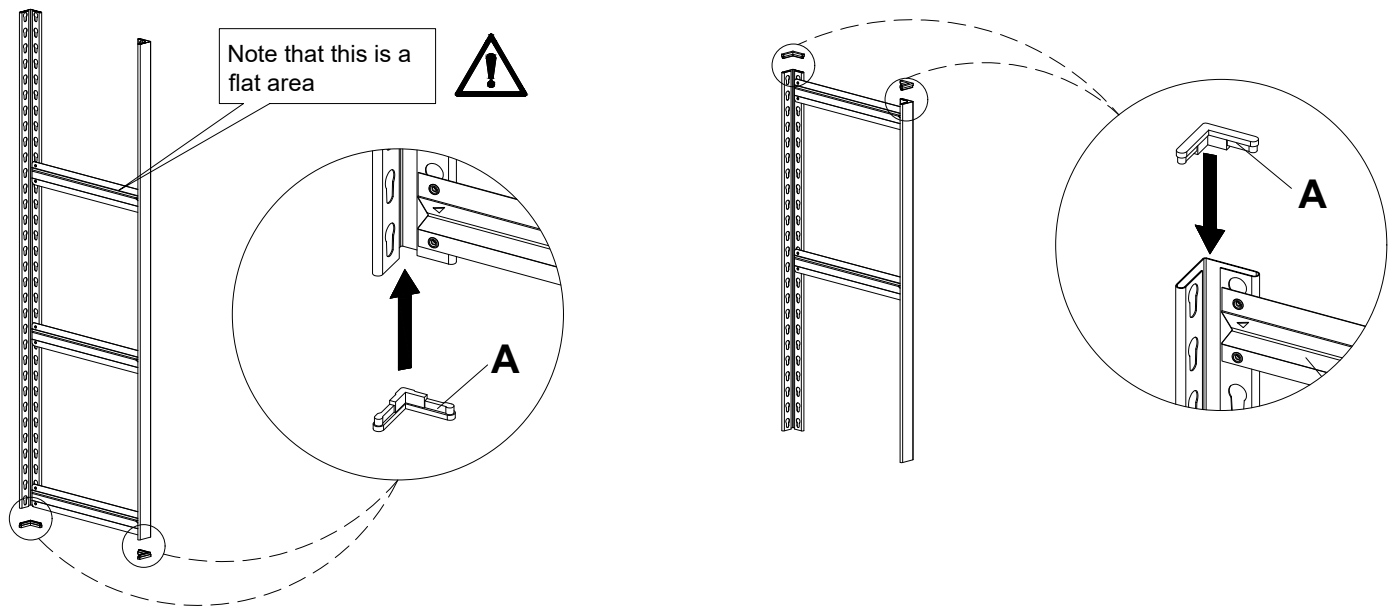
Note that this is a flat area



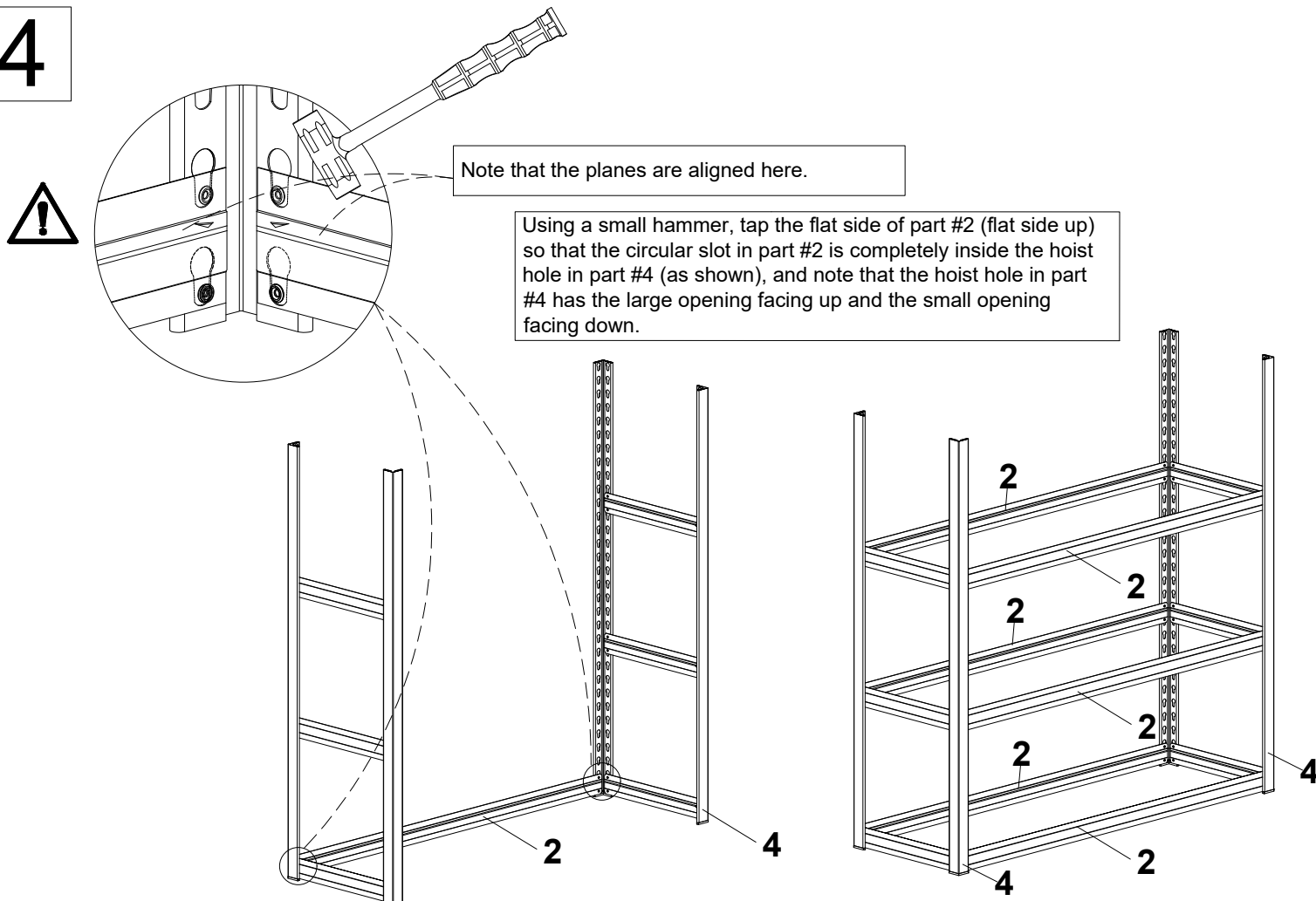
Install the other lower side frame in the same way, taking care to keep the installation height consistent



3

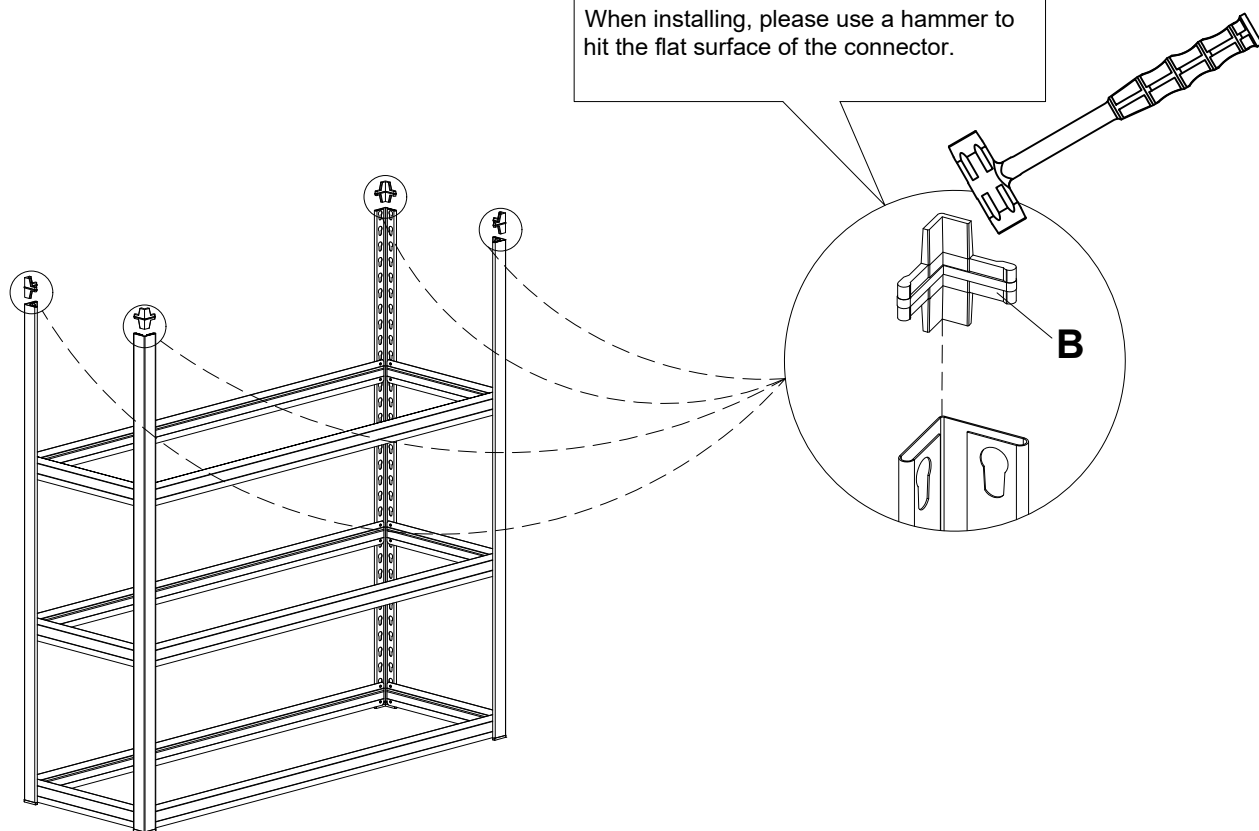


4



5

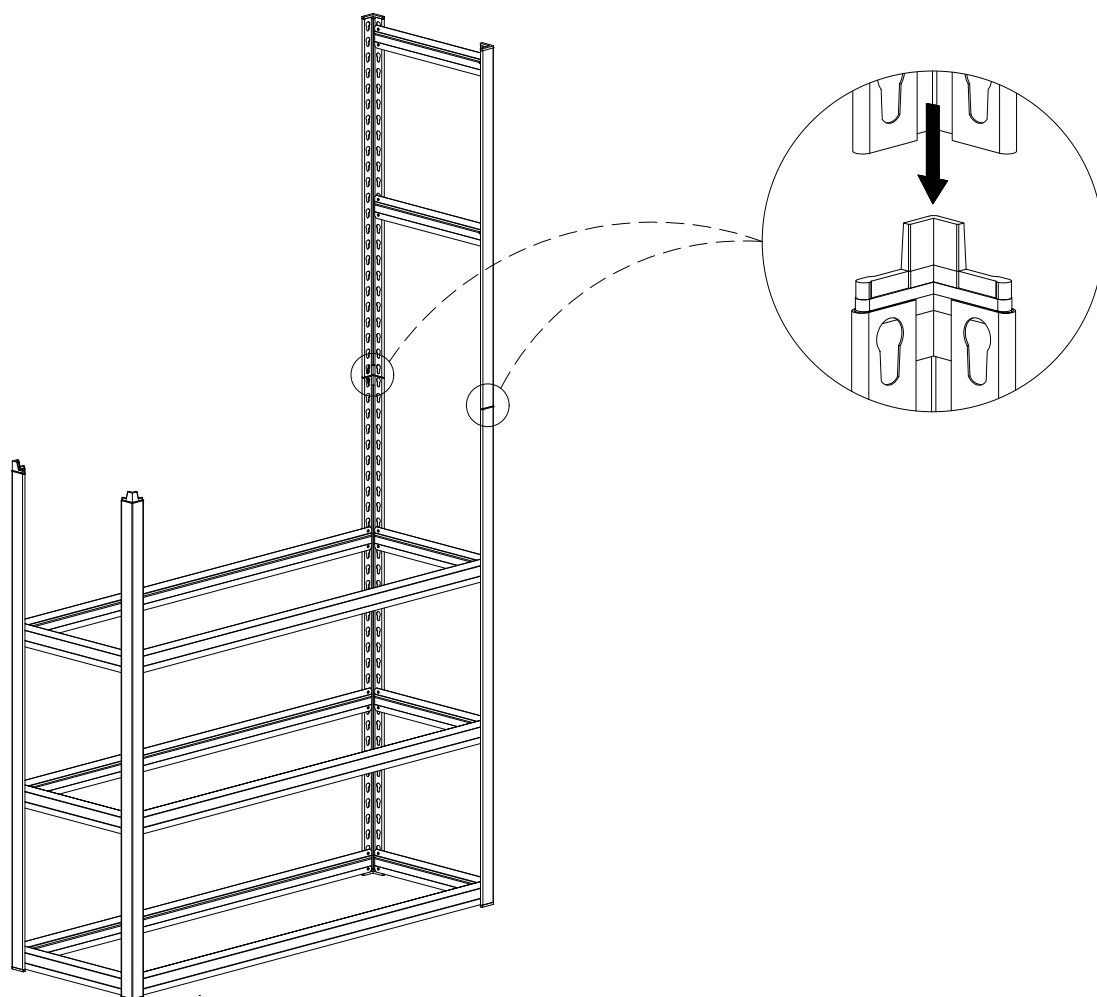
When installing, please use a hammer to hit the flat surface of the connector.



 Bx4

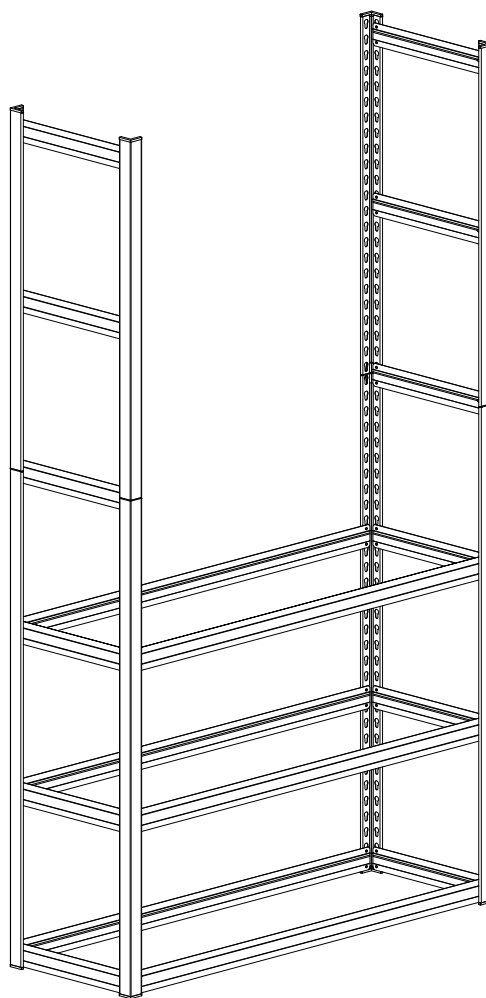
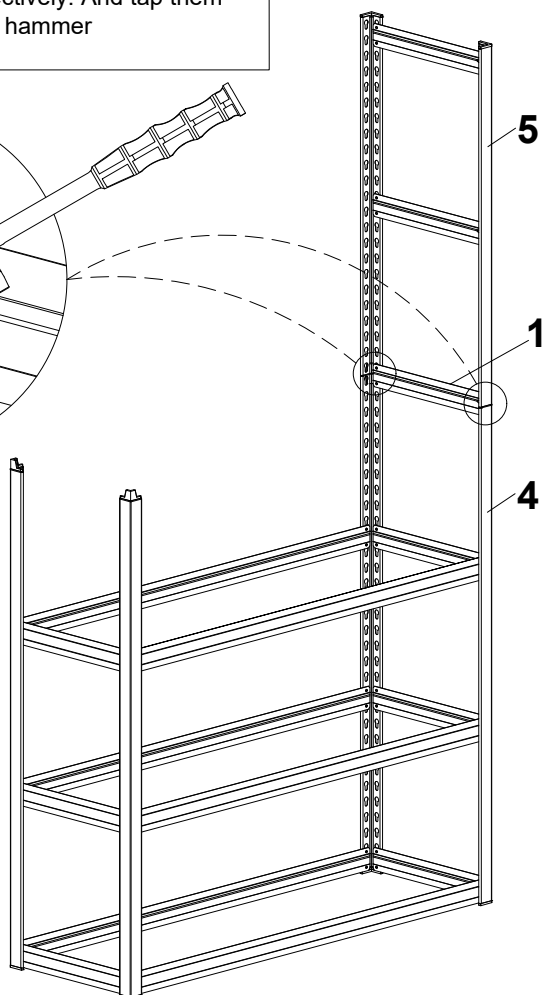
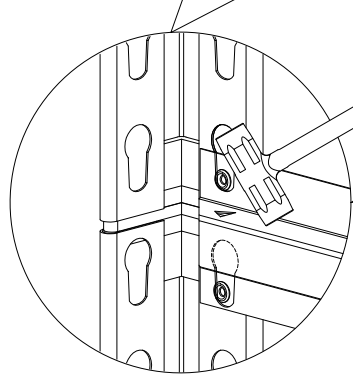
6

Snap the upper frame into the connector.

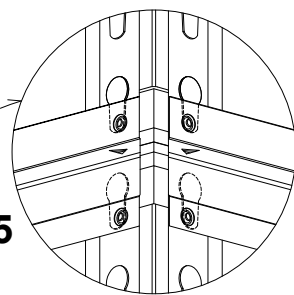


7

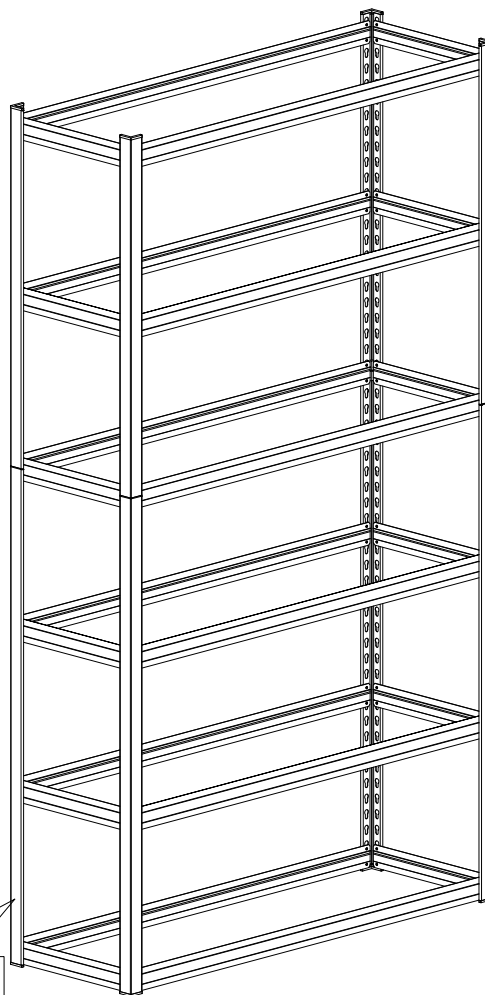
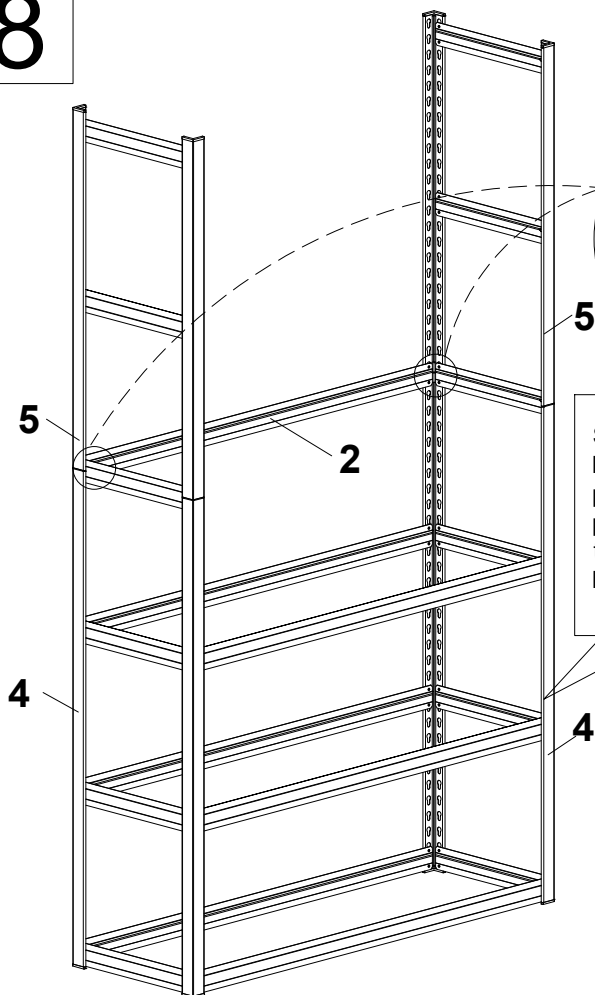
Snap part #1 into the hoist holes on the lower part of part #5 and the upper part of part #4 respectively. And tap them flat with a small hammer



8

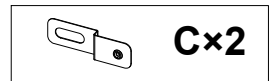
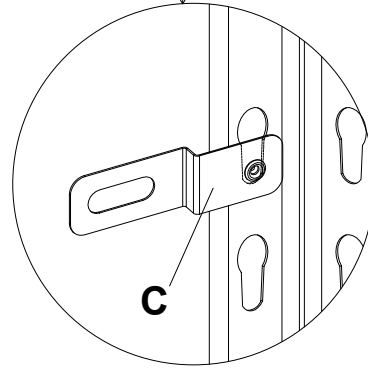
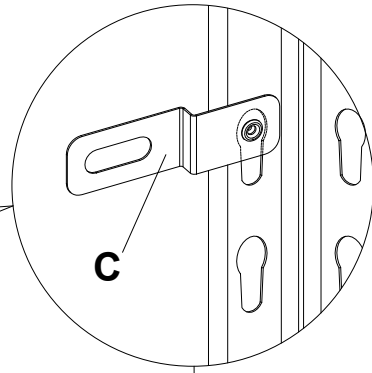
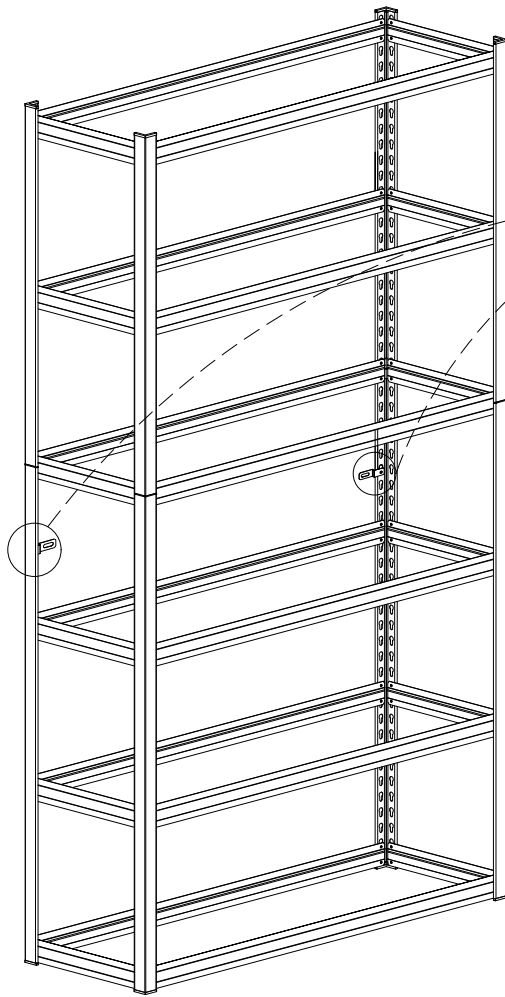


Snap part #2 into the hoist holes on the lower part of part #5 and the upper part of part #4 respectively. And tap them flat with a small hammer

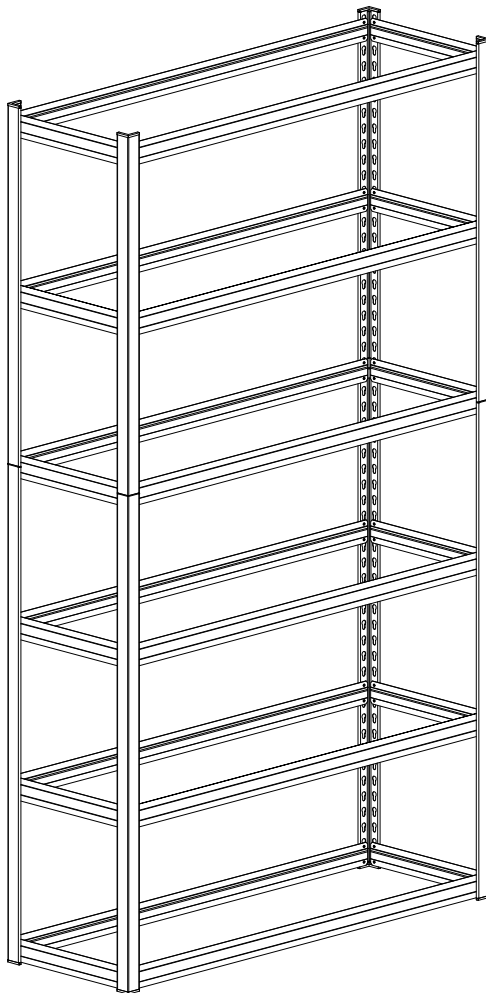


Install the remaining part #2 (connect in the same manner)

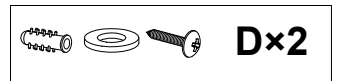
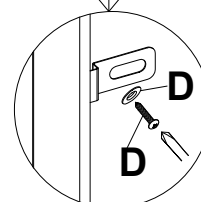
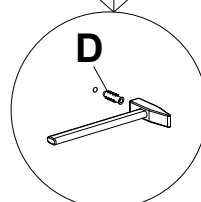
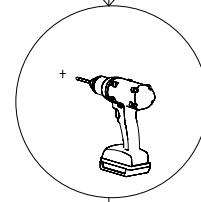
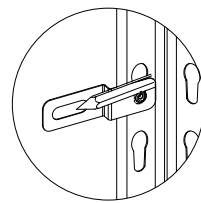
9



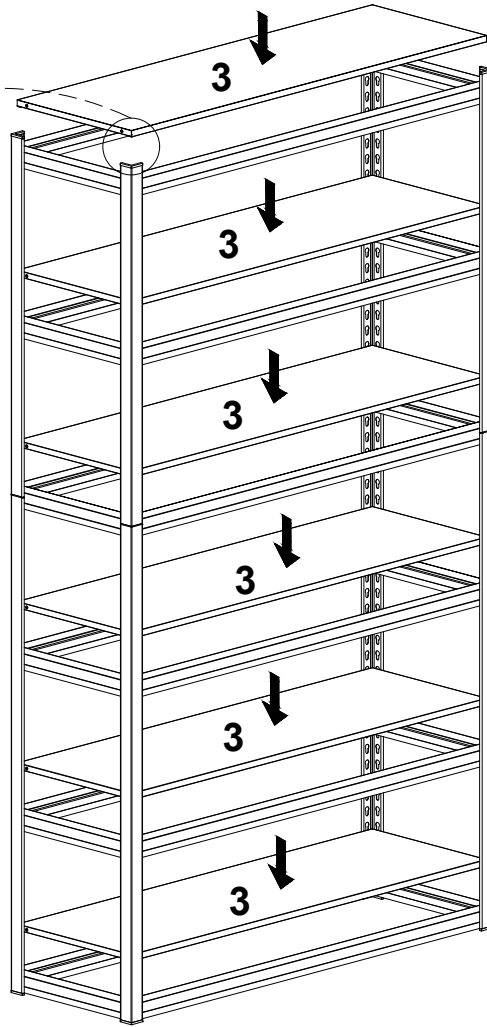
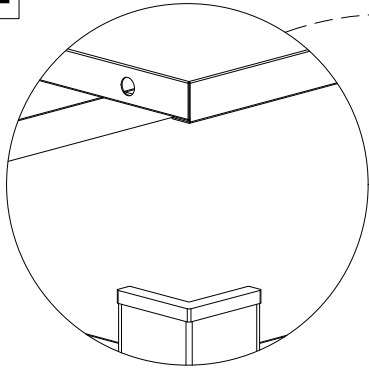
10



This step is to connect the cabinet to the wall, if you do not need to ignore it



11



12

