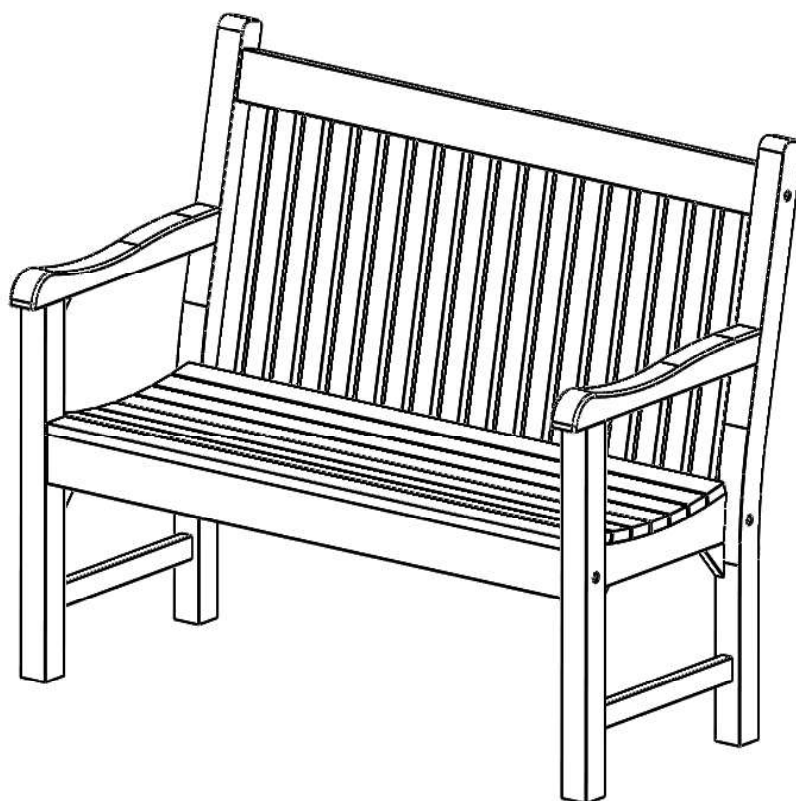

ASSEMBLY INSTRUCTIONS

OUTDOOR BENCH



***THIS ASSEMBLY MANUAL CONTAINS IMPORTANT SAFETY INFORMATION.
PLEASE READ AND KEEP FOR FUTURE REFERENCE.***

Important Safety Information

- *Please read all instructions carefully before assembling this furniture.*
- *For your safety, assembly by two or more adults is strongly recommended.*
- *Use only vendor-supplied hardware to assemble this item. Using unauthorized hardware could jeopardize the structural integrity of the item.*
- *Hardware may loosen overtime. Periodically check that all connections are tight.*

Before Assembly

- *Remove all parts and hardware from the box. Place all items on a carpeted or scratch-free work surface, as this will avoid damaging parts during assembly.*
- *The shipping box provides an ideal work surface.*
- *To avoid accidentally discarding small parts or hardware, do not dispose of any packaging or contents of the shipping carton until assembly is complete.*
- *Use the parts and hardware lists below to identify and separate each of the pieces included.*
- *The use of power tools for assembly is not recommended. Power tools can damage the hardware and/or split the wood.*
- **Note:** *Do not fully tighten all bolts until all parts are in place. Failure to follow these instructions may cause the bolts to misalign during assembly.*

Care and Cleaning

- *Routine cleaning of the furniture can be completed with only warm water and soap.*
- *You can use the sanding sponge for cleaning.*

Components

A	Left leg	1
B	Right leg	1
C	Backrest	1
D	Seat	1

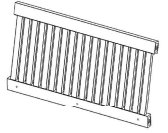
(A)



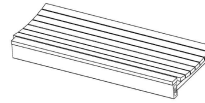
(B)



(C)



(D)



Hardware

(E)

M8*70MM Bolt
Qty: 9



(F)

Washer
Qty: 3



(G)

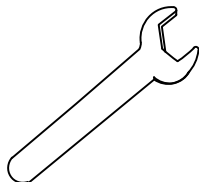
Nut
Qty: 3



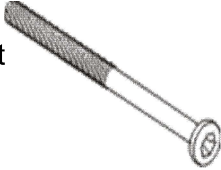



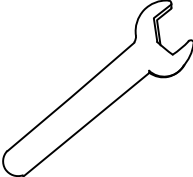
Tools Needed for Assembly

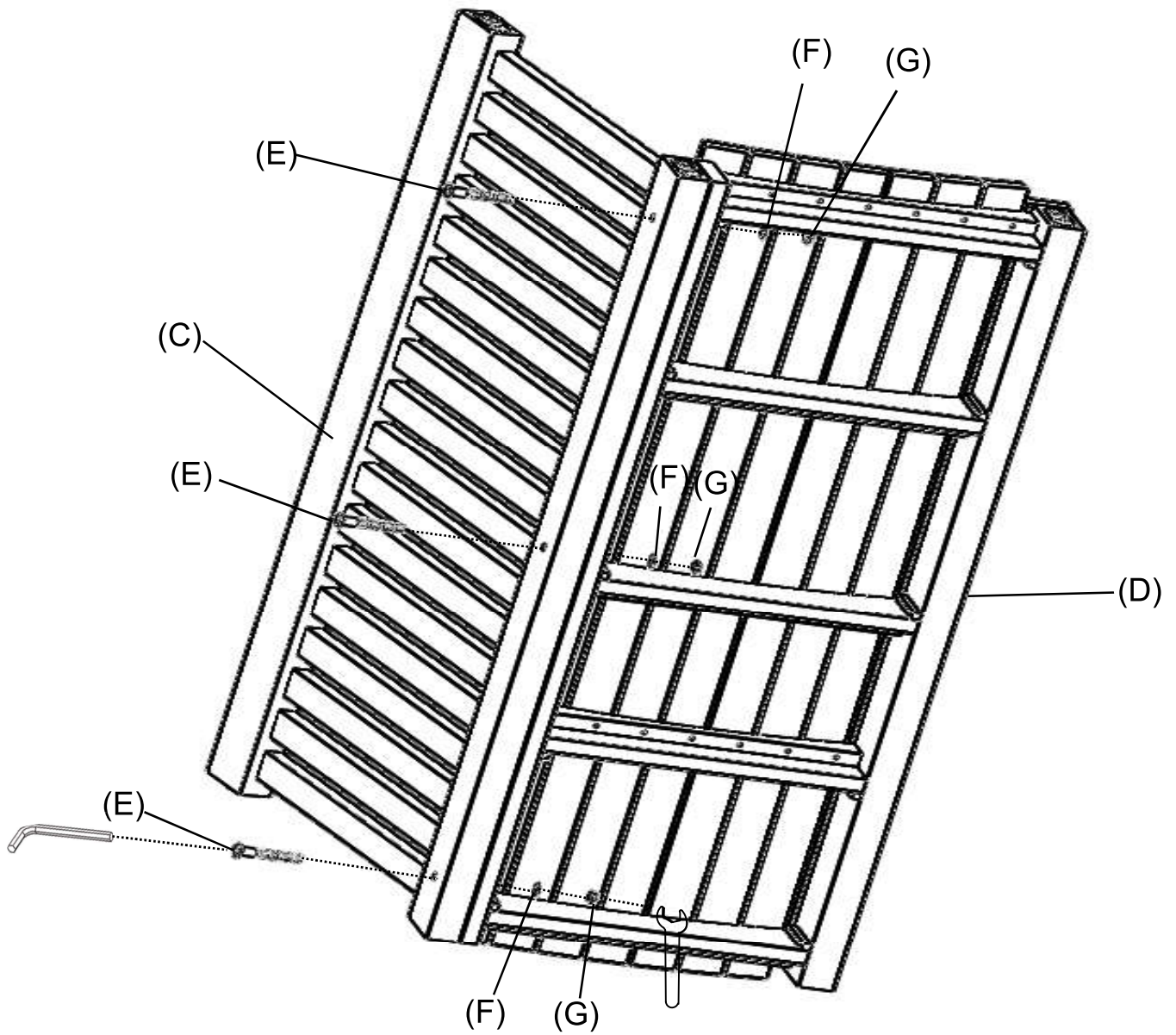


Hex key



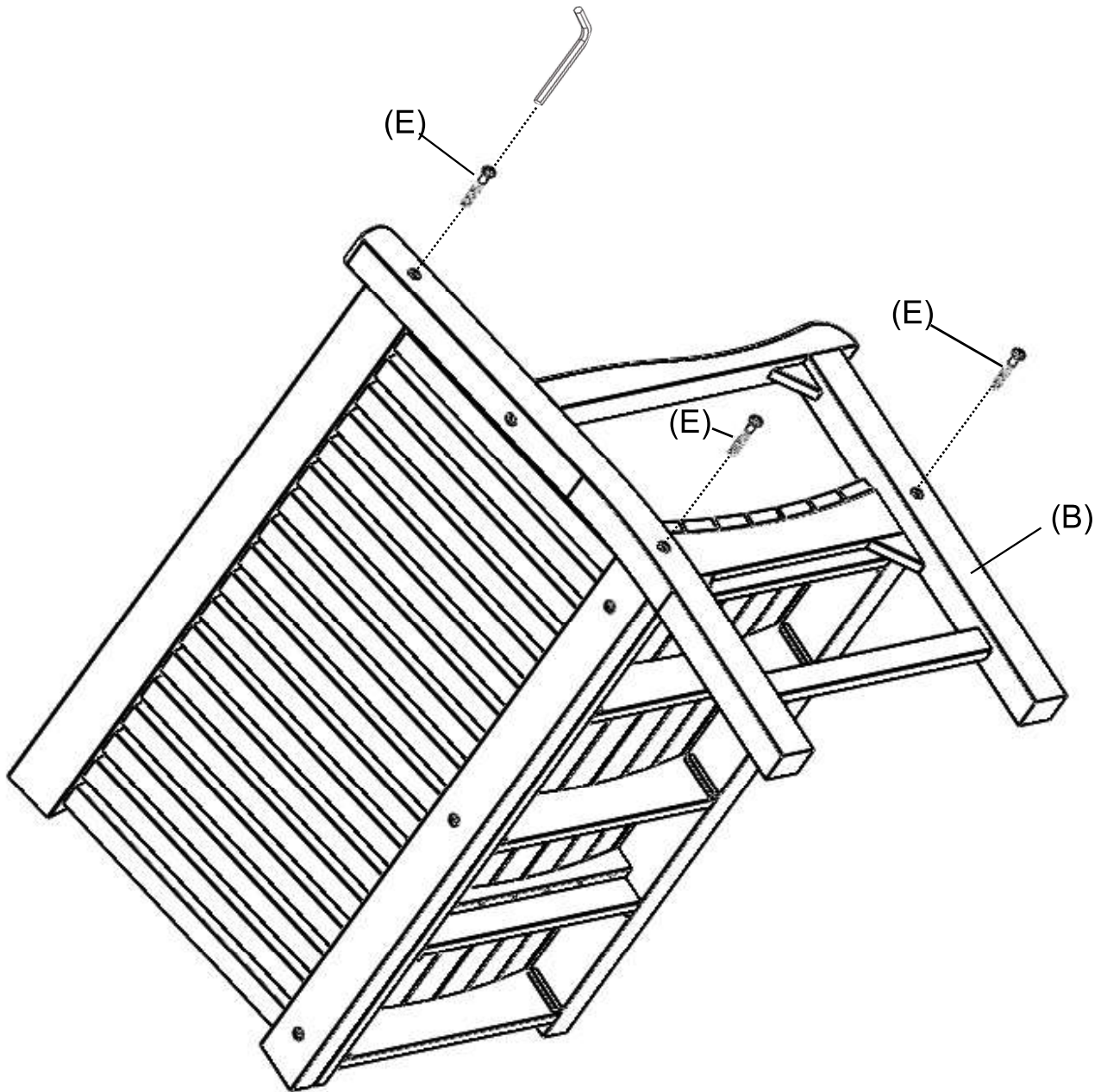
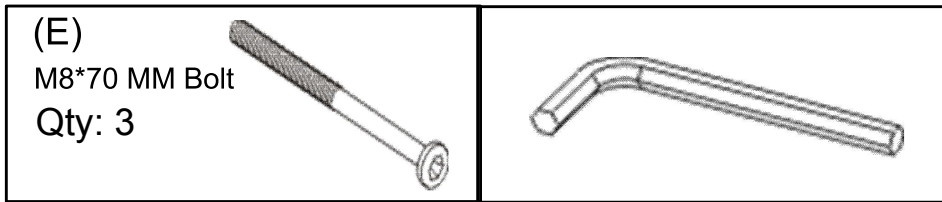
Step 1

<p>(E) M8*70 MM Bolt Qty: 3</p> 	<p>(F) Washer Qty: 3</p> 	<p>(G) Nut Qty: 3</p> 
		



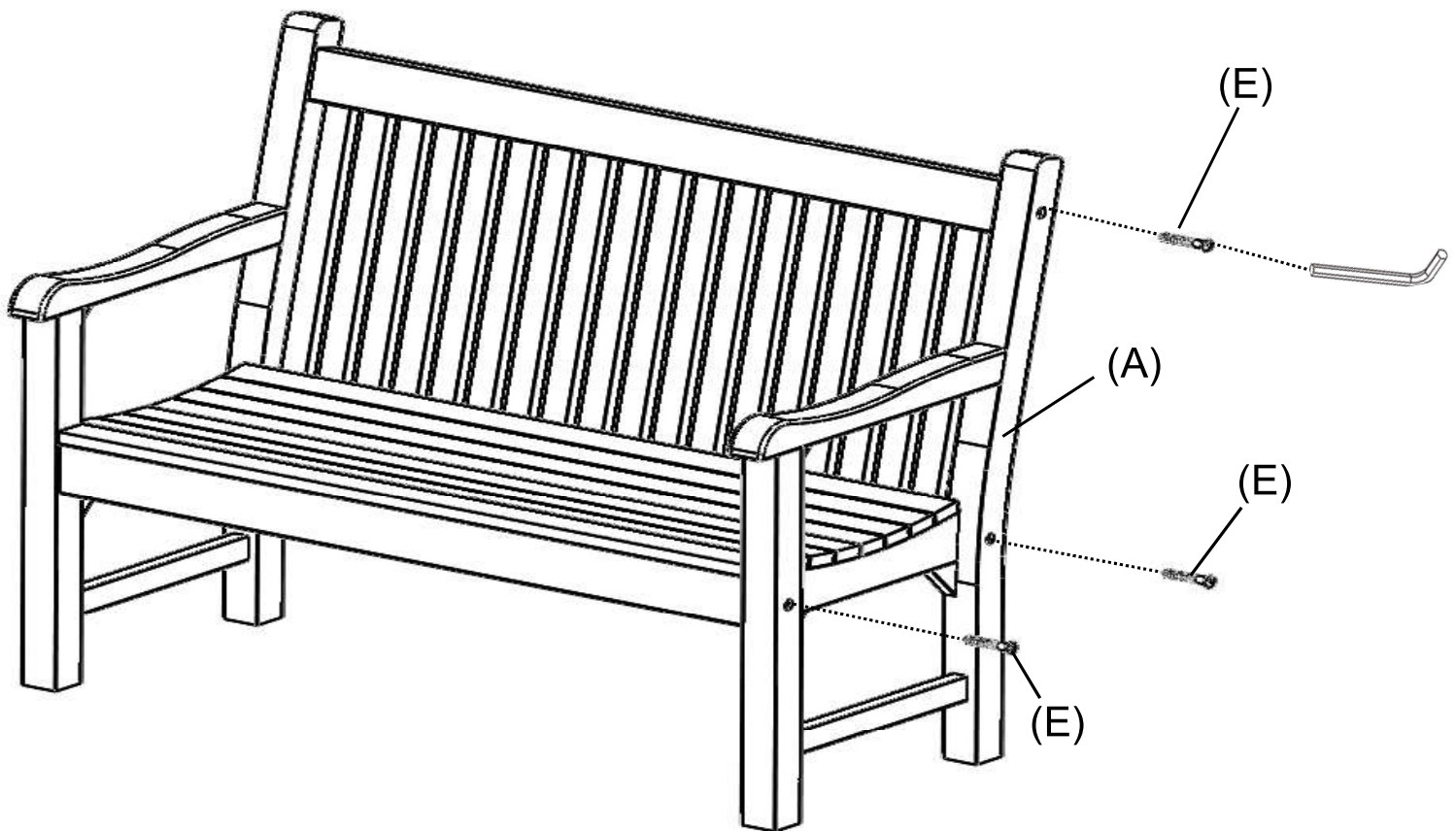
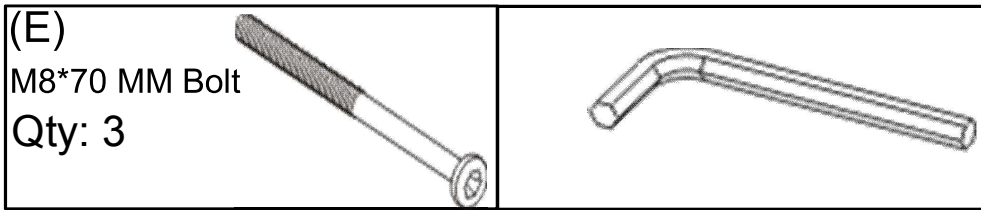
Attach the Backrest C to the seat D.
Secure with bolt E x3, Washer Fx3, Nut Gx3.

Step 2



Attach the right leg B to the seat D.
Secure with bolt E x3

Step 3



Attach the left leg A to the seat D.
Secure with bolt E x3
