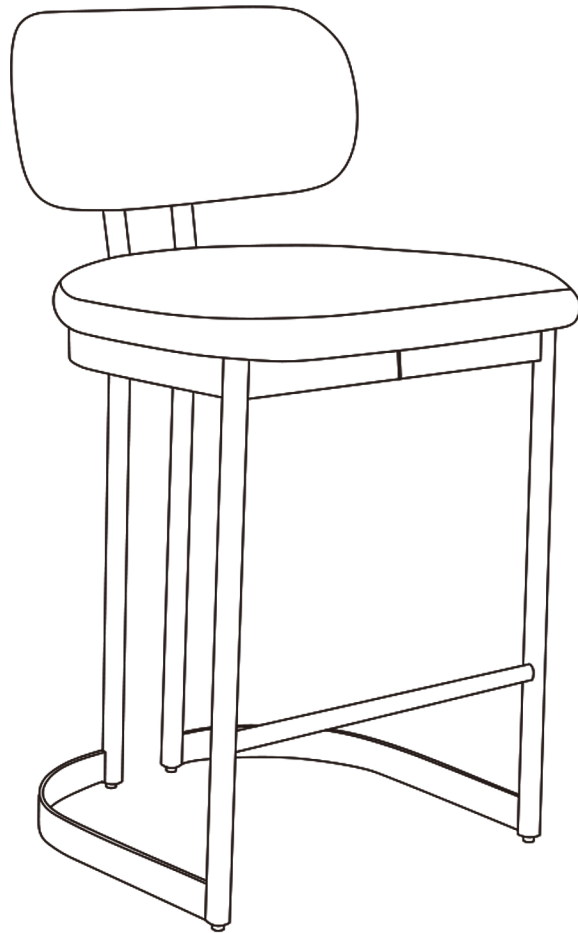


BARSTOOLS

ASSEMBLY INSTRUCTIONS



**Need help? Contact us through the shopping platform.
Or email: service.furniture@outlook.com**

HALF HOUR
ASSEMBLY TIME

2 PEOPLE
REQUIRED FOR ASSEMBLY

1 X 1 M
FLOOR SPACE REQUIRED

INSTALLATION SUGGESTIONS

PLEASE READ ALL THE INSTRUCTIONS CAREFULLY BEFORE ASSEMBLING AND USING THE PRODUCT.


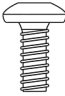

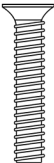
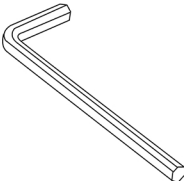
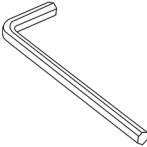
1. Please check whether all parts are complete according to the installation instructions.
2. Please ensure that the installation space is clean and flat to avoid dirt and damage to the product parts.
3. In each step, do not tighten bolts/screws completely until all bolts/screws are lined up and tightened 70% separately. Do not over tighten bolts/screws to avoid stripping.
4. We recommend that all assembled parts should be placed near the assembly location to avoid loss or forgetting while assembling.





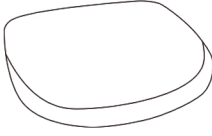
TIPS FOR GIVING FEEDBACK

Please provide helpful information. We will give you feedback within 24h.

1. Describe your problem in detail and explain it with some clear multi-angle photos of the problem area.
2. Send your order ID and the letter number and quantity of the part in question from the parts list.
3. A clear photo of the side of the box that has the product information or the label on the bottom of the cushion.

PARTS AND HARDWARE LIST

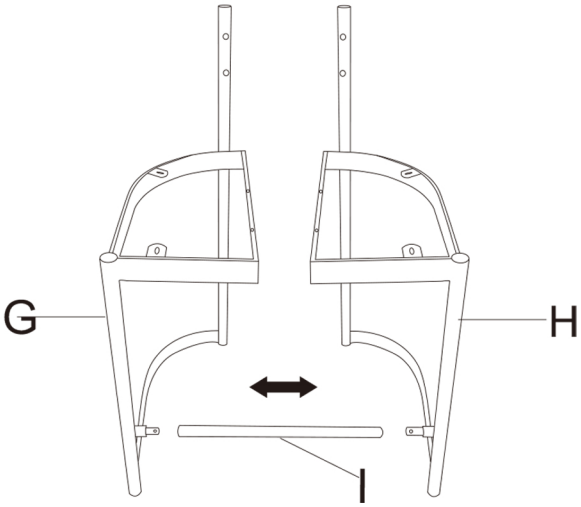
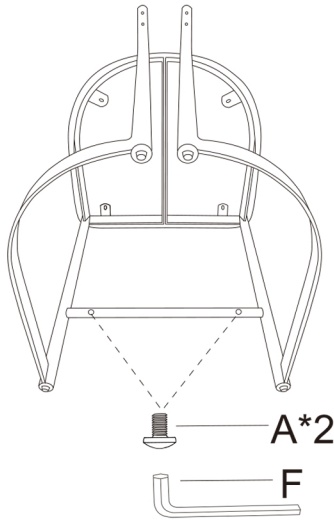
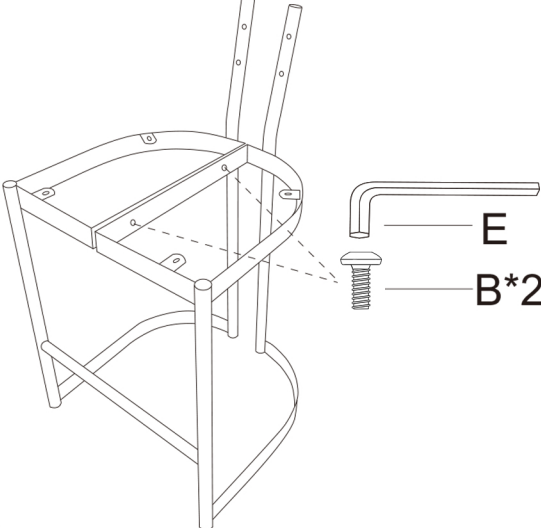
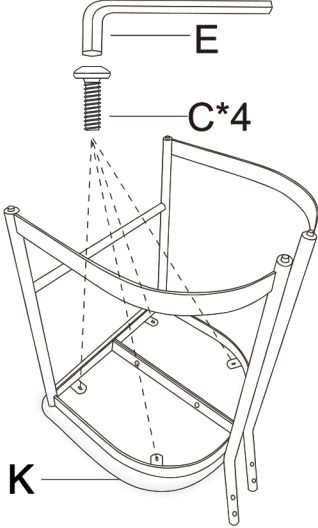
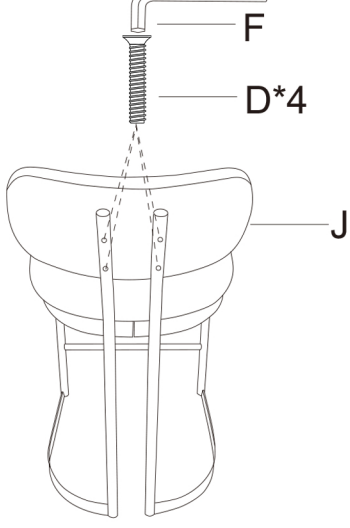
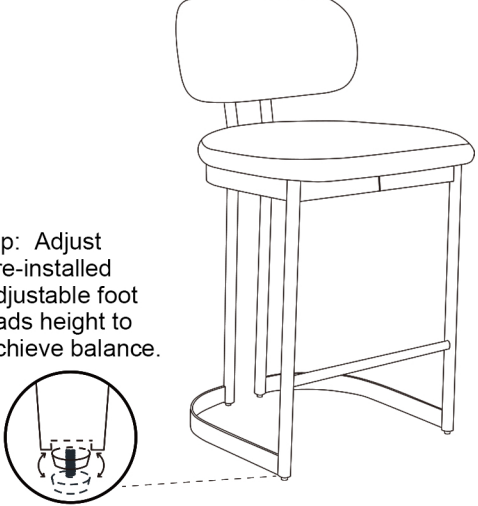
 M6*10mm A*2	 M6*12mm B*2	 M6*18mm C*4	 M6*40mm D*4	 E*1	 F*1
--	--	--	--	---	---

 G*1	 H*1	 I*1	 J*1	 K*1
---	---	---	--	---

ASSEMBLY STEPS

Assembly tips:

Just tighten the screws to 70% before all of them are aligned. After all the screws are aligned, tighten the remaining parts.

 <p>STEP 1. Connect the left frame (G) and the right frame (H) together using the footrests (I).</p>	 <p>STEP 2. Use screws (A*2) to fix the footrest and frame together. Note: Do not fully tighten yet.</p>
 <p>STEP 3. Use screws (B*2) to fix the left and right frames together. Note: Do not fully tighten yet.</p>	 <p>STEP 4. Install the seat cushion (K) to the frame using screws (C*4). Note: Do not fully tighten yet.</p>
 <p>STEP 5. Install the backrest (J) to the back rods of the frame using screws (D*4). Note: Screw them in 70% first. Once all the screws are aligned and inserted, tighten all the screws one by one.</p>	 <p>Tip: Adjust pre-installed adjustable foot pads height to achieve balance.</p> <p>STEP 6. Congratulations! You have possessed an exquisite barstool.</p>

WARRANTY TERMS & CONDITIONS

1. We provide warranty for the product for one year.
2. The warranty period starts on the delivery date.
3. If the product has quality problems, contact us and we promise we will solve it for you.

CORRECT SITTING POSITION

