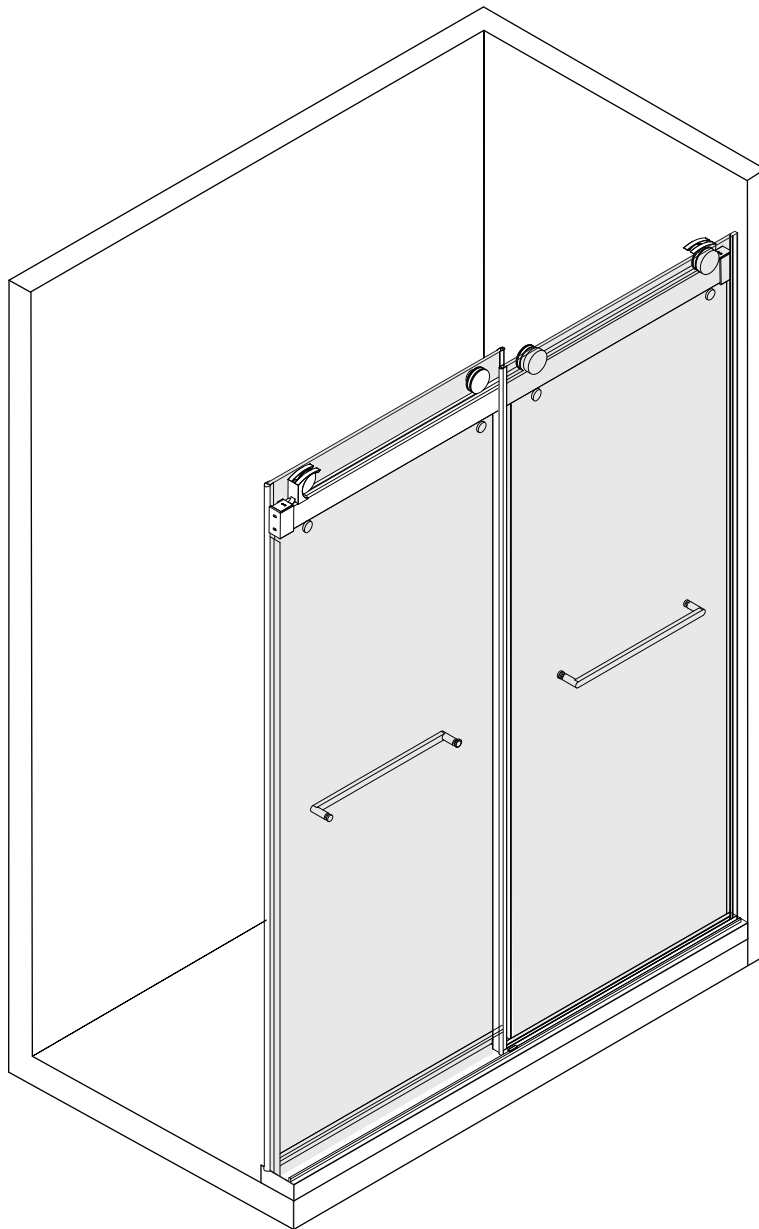




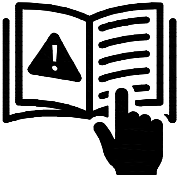
TLDS01

INSTALLATION MANUAL

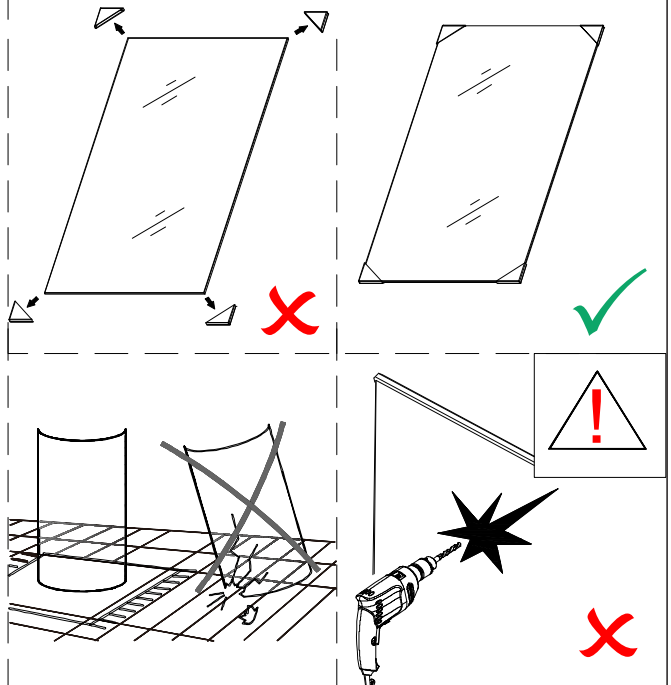
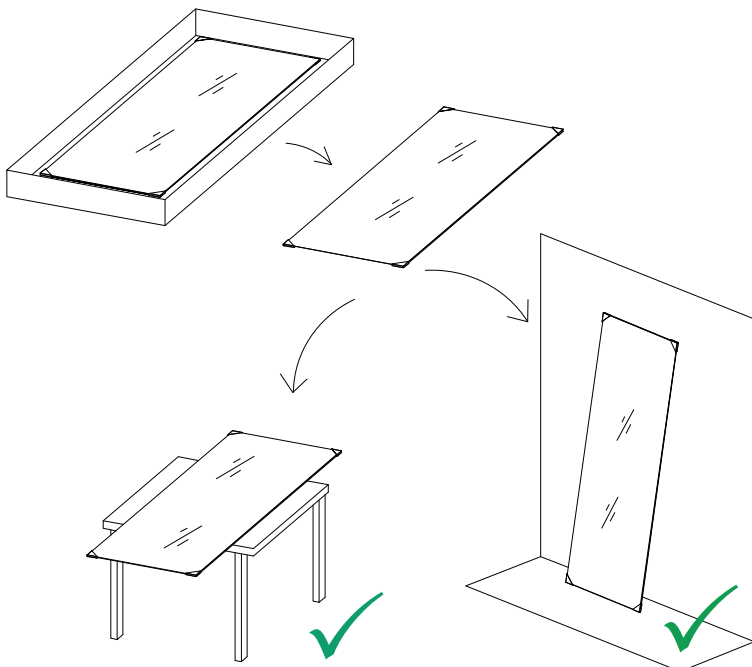
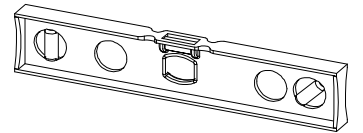
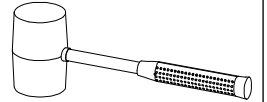
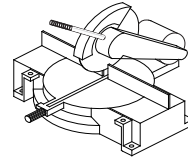
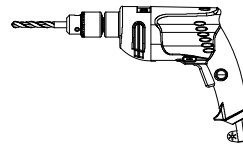
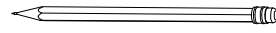
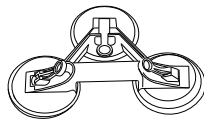
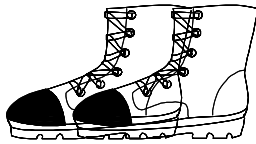
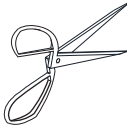
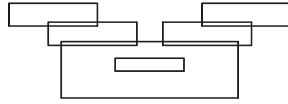
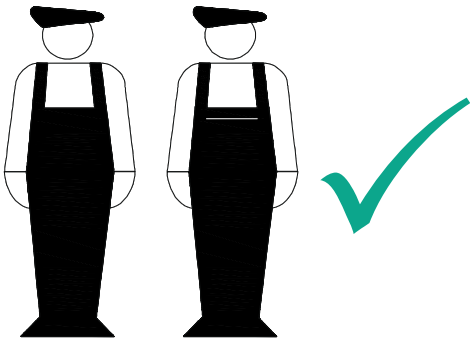


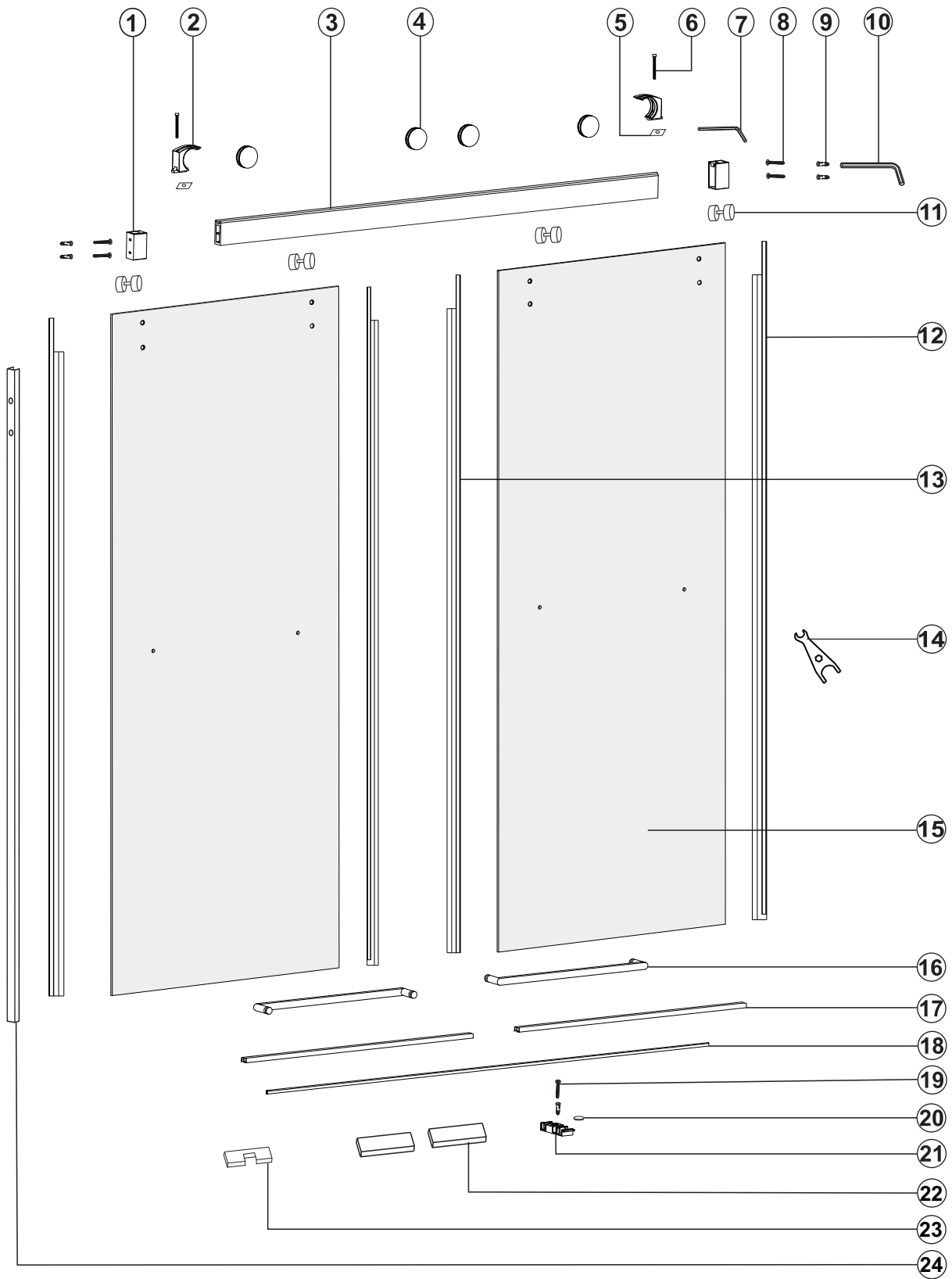
TLDS01-BL-60/TLDS01-BN-60/TLDS01-BL-72/TLDS01-BN-72

bestgoservice@126.com



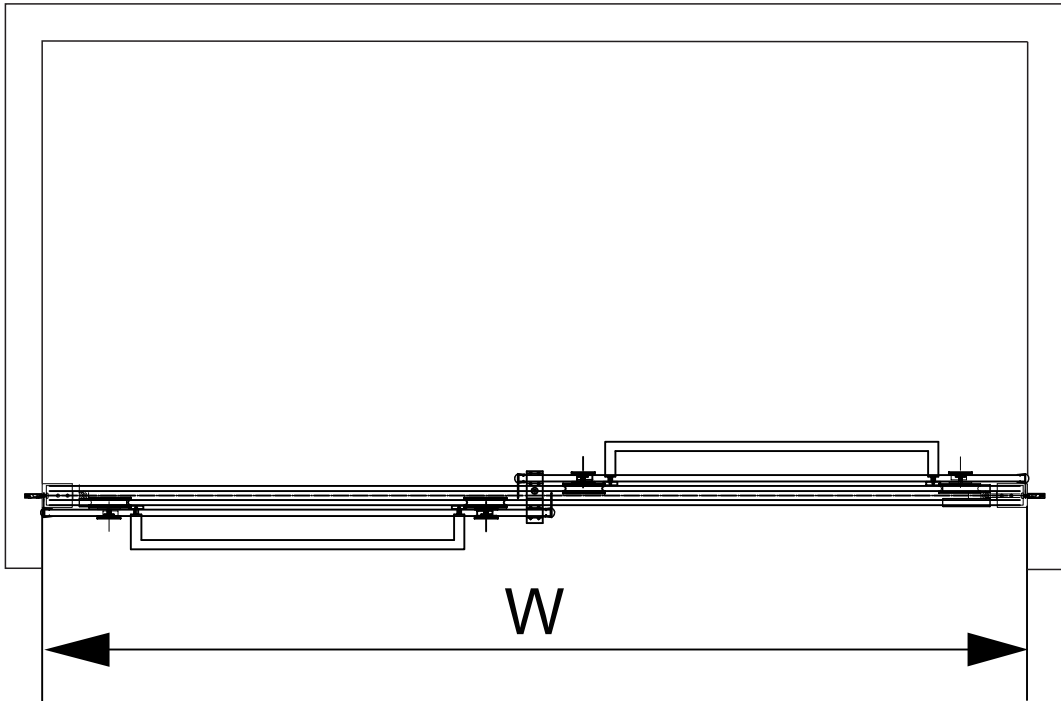
IMPORTANT - Please read and follow all warnings and instructions before using this product. Injury can result from improper use. Save this documents.





NO.	Picture	Qty	NO.	Picture	Qty	NO.	Picture	Qty	NO.	Picture	Qty	NO.	Picture	Qty
①		2	②		2	③		1	④		4	⑤		2
⑥		2	⑦		1	⑧		4	⑨		5	⑩		1
⑪		4	⑫		2	⑬		2	⑭		1	⑮		2
⑯		2	⑰		2	⑱		1	⑳		1			
㉑		1	㉒		2	㉓		1	㉔		1			

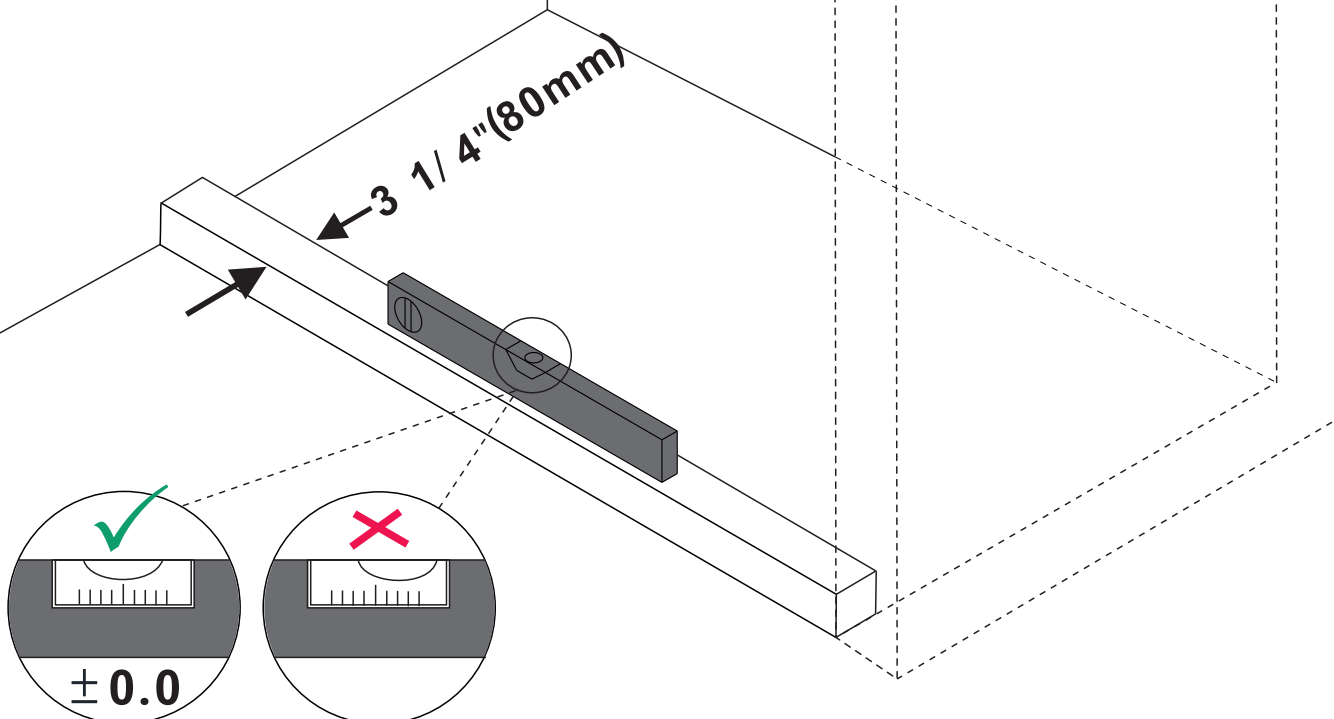
1



	W	
Size in: inches	Min.	Max.
60"	57"	60"
70"	69"	73"

bestgoservice@126.com

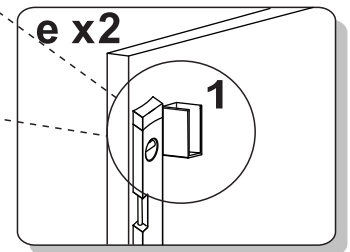
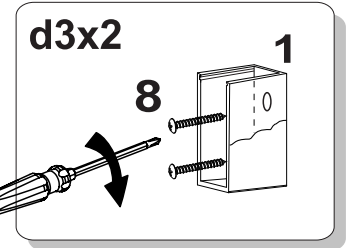
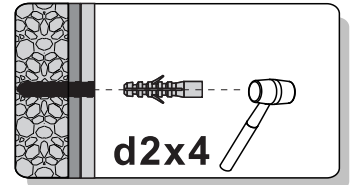
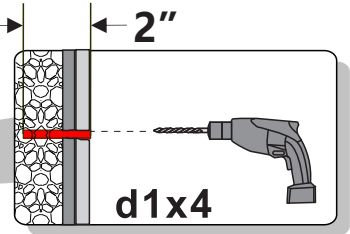
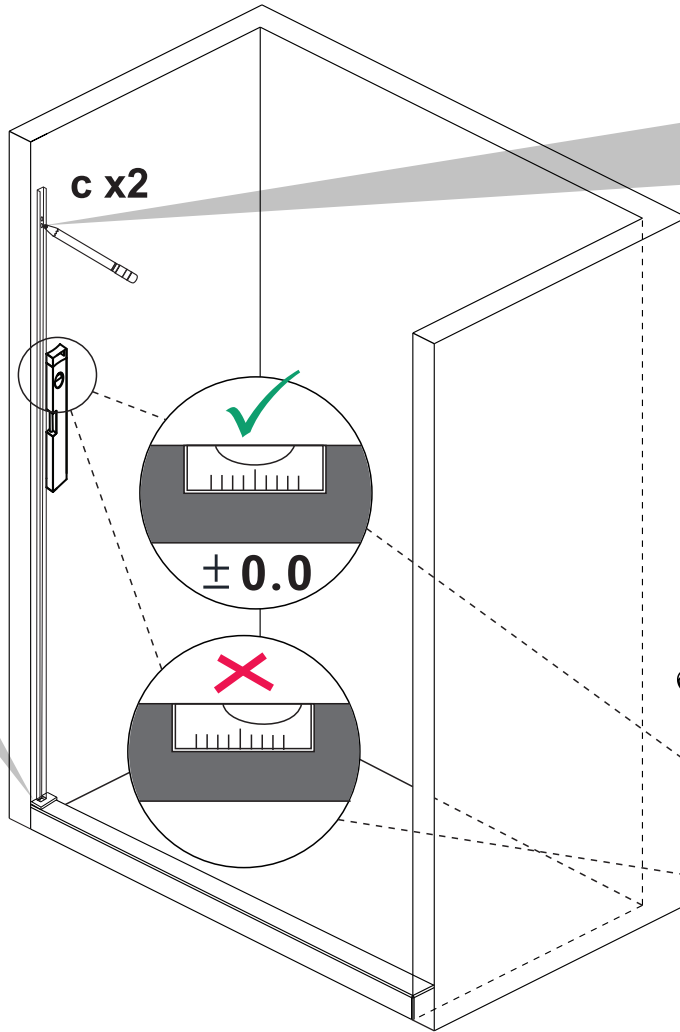
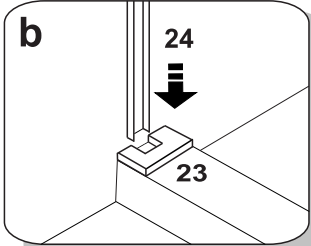
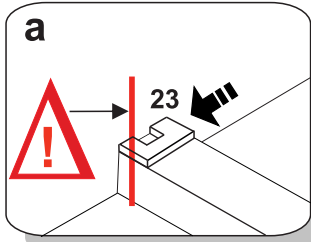
2



bestgoservice@126.com

3

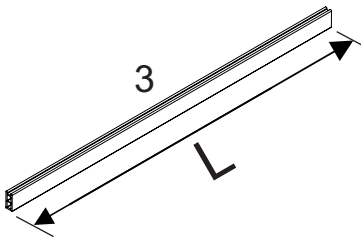
NO.	Picture	Qty
①		2
⑧		4
⑨		4
⑳		1
㉑		1



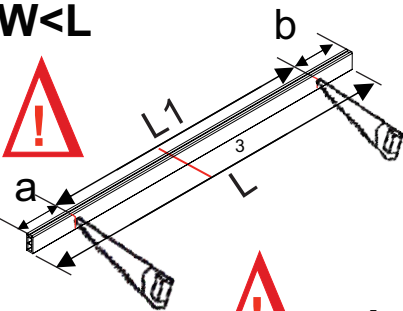
4

NO.	Picture	Qty
③		1

$$W = L + 9/16'' + 9/16''$$



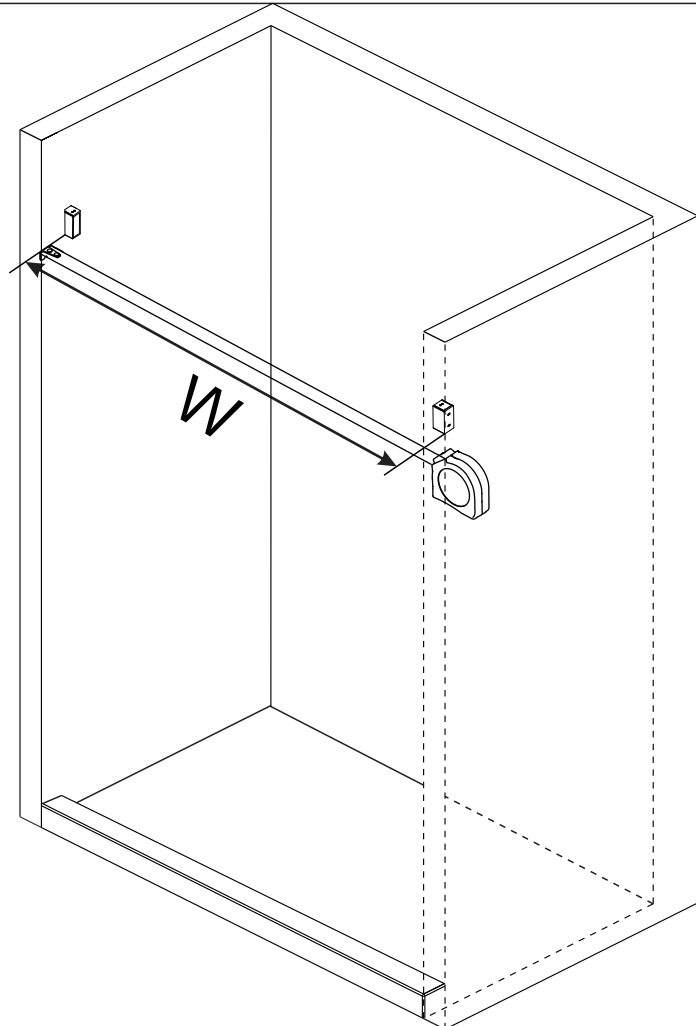
$$W < L$$



$$L1 = L - a - b$$

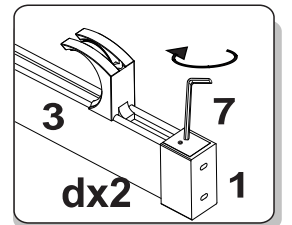
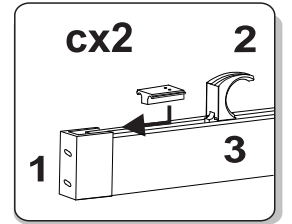
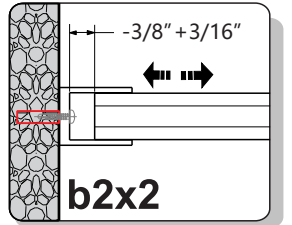
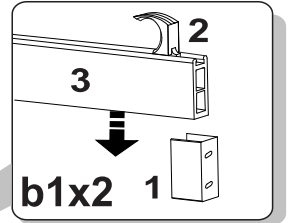
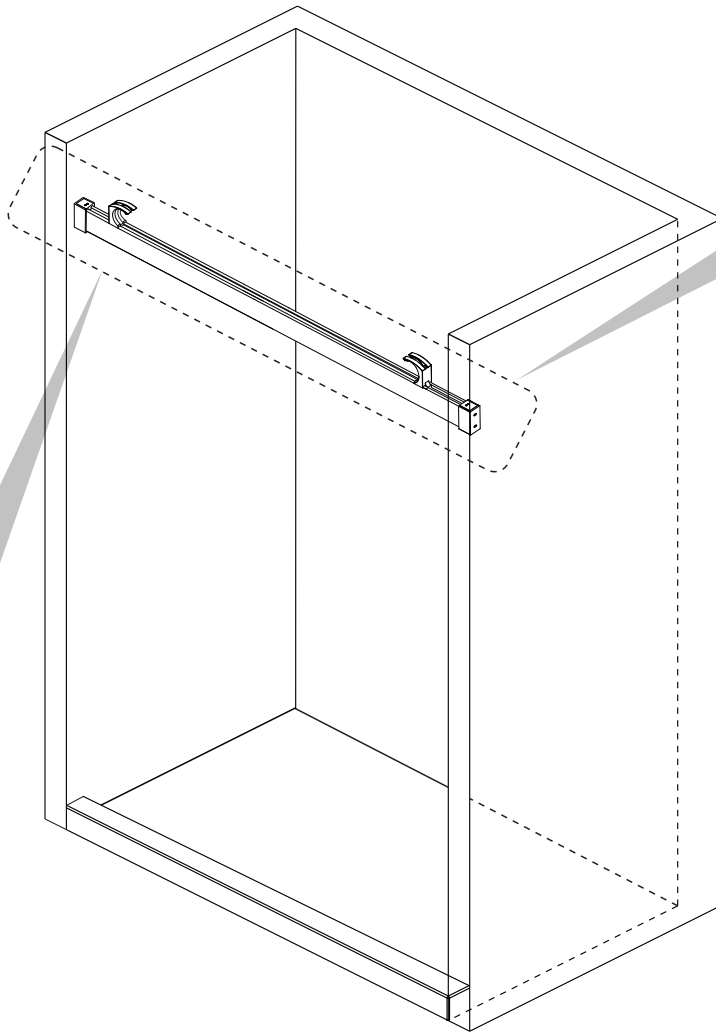
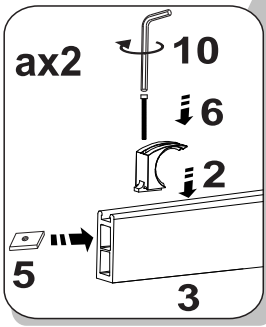


The Bottom Guide Rail ③ must be cut equally from both ends in order to keep the center guide holes centered.



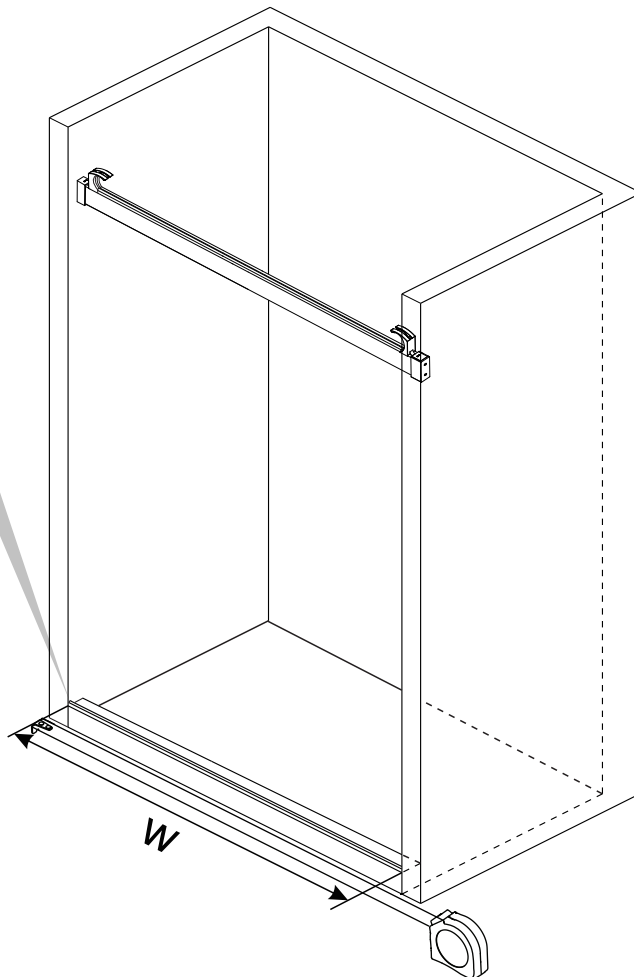
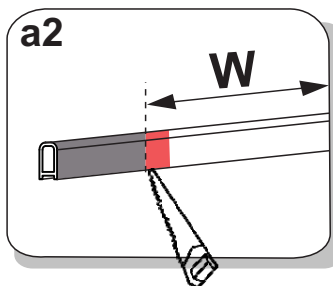
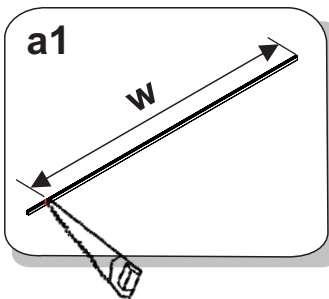
5

NO.	Picture	Qty
②		2
⑤		2
⑥		2
⑦		1
⑩		1

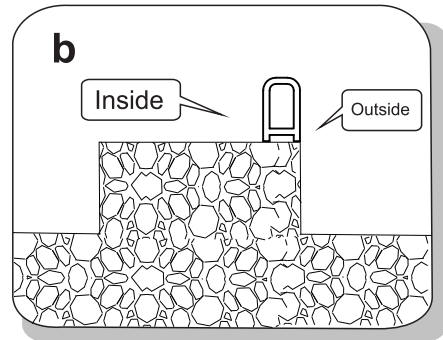
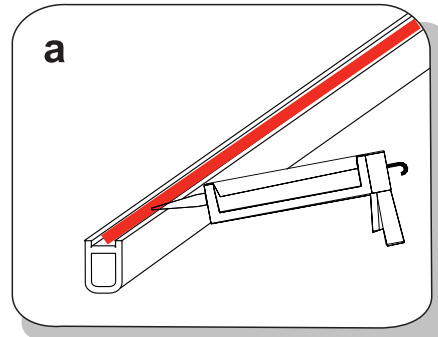
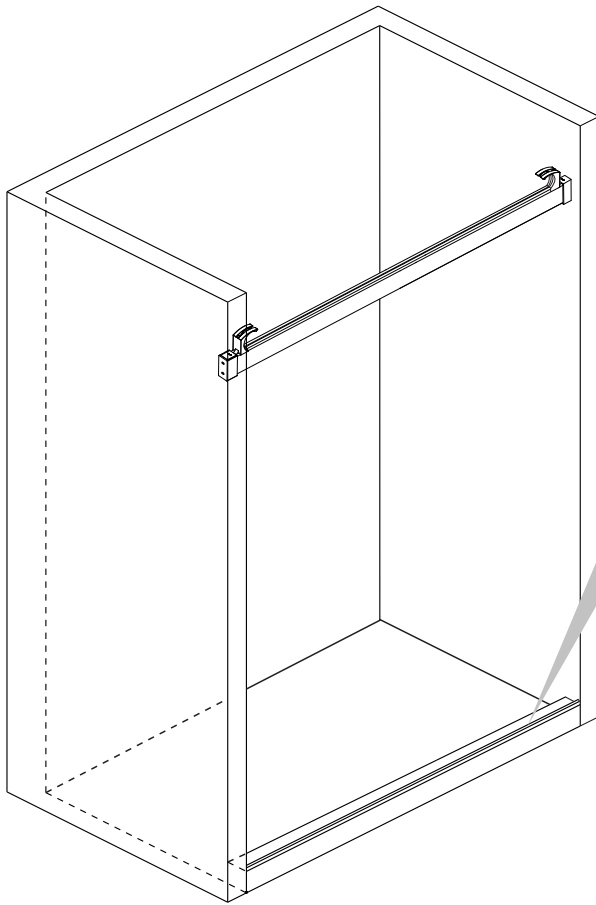


6

NO.	Picture	Qty
⑱		1

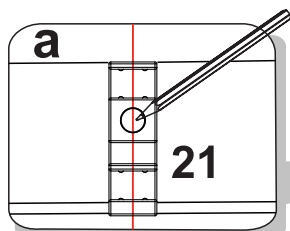
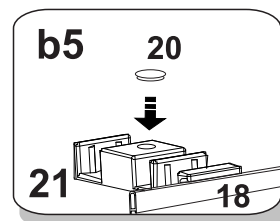
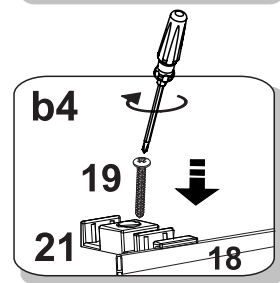
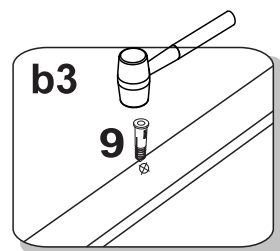
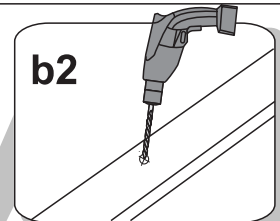
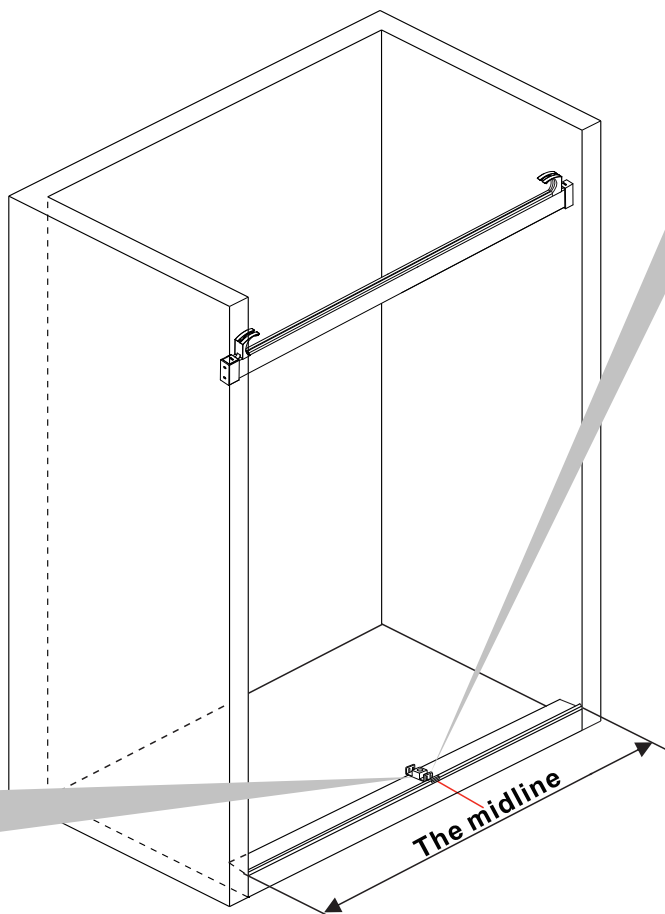


7



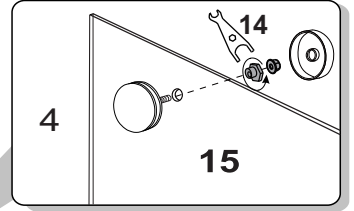
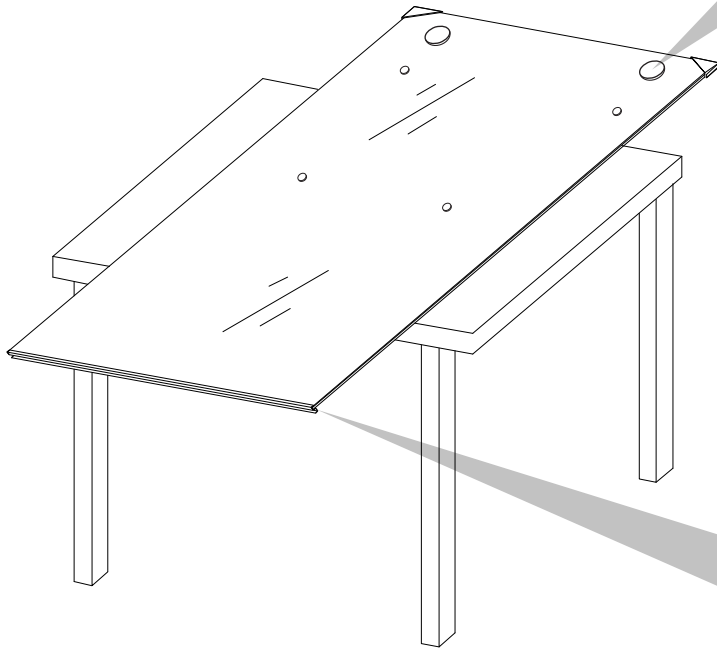
8

NO.	Picture	Qty
9		1
19		1
20		1
21		1

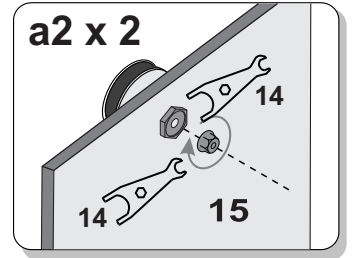


9

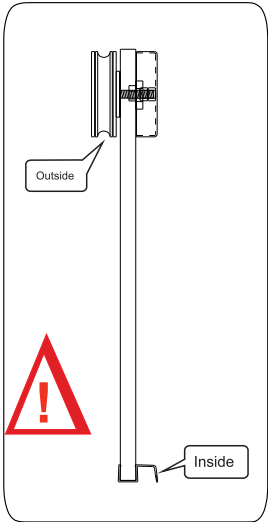
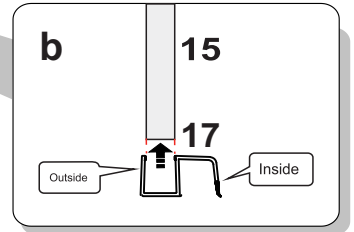
NO.	Picture	Qty
4		2
14		1
15		1
17		1



a1 x 2

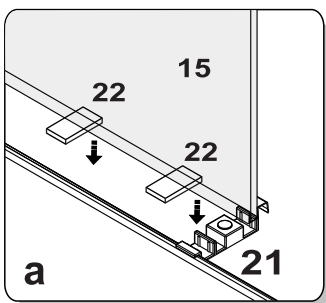
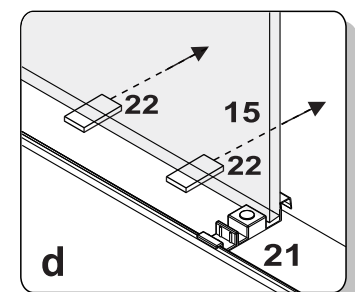
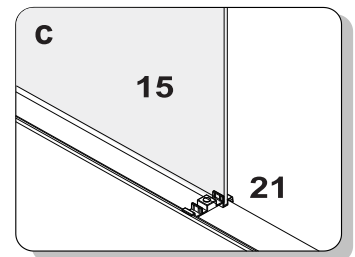
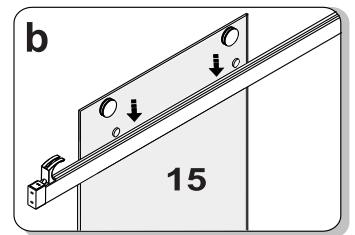
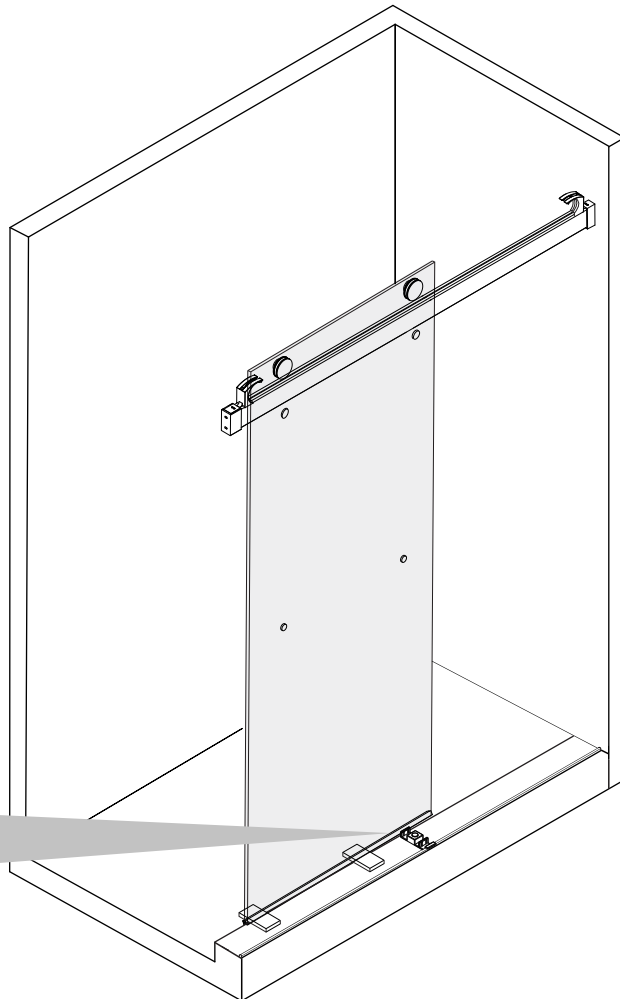


a2 x 2



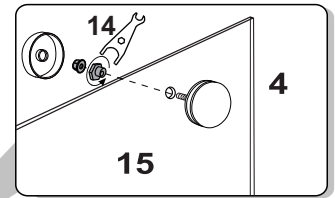
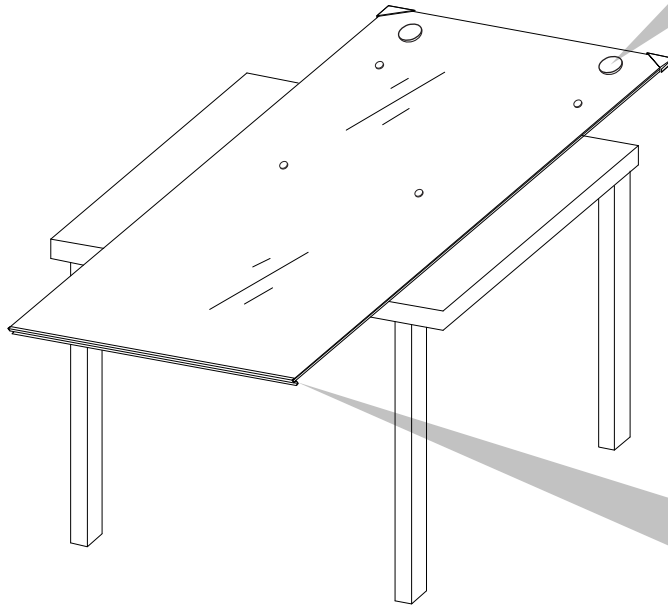
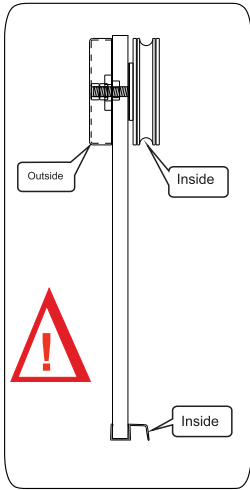
10

NO.	Picture	Qty
22		2

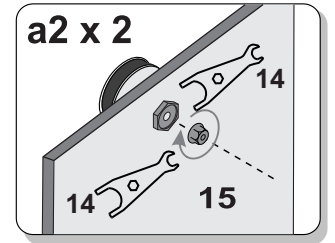


11

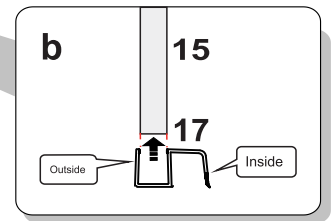
NO.	Picture	Qty
④		2
⑮		1
⑰		1



a1 x 2

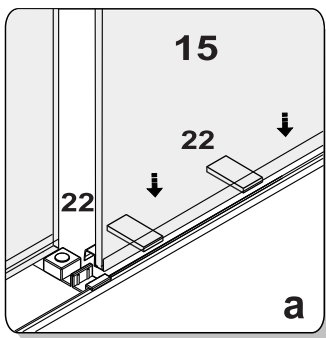


a2 x 2

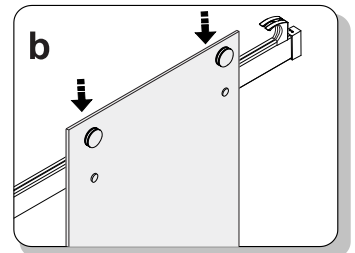
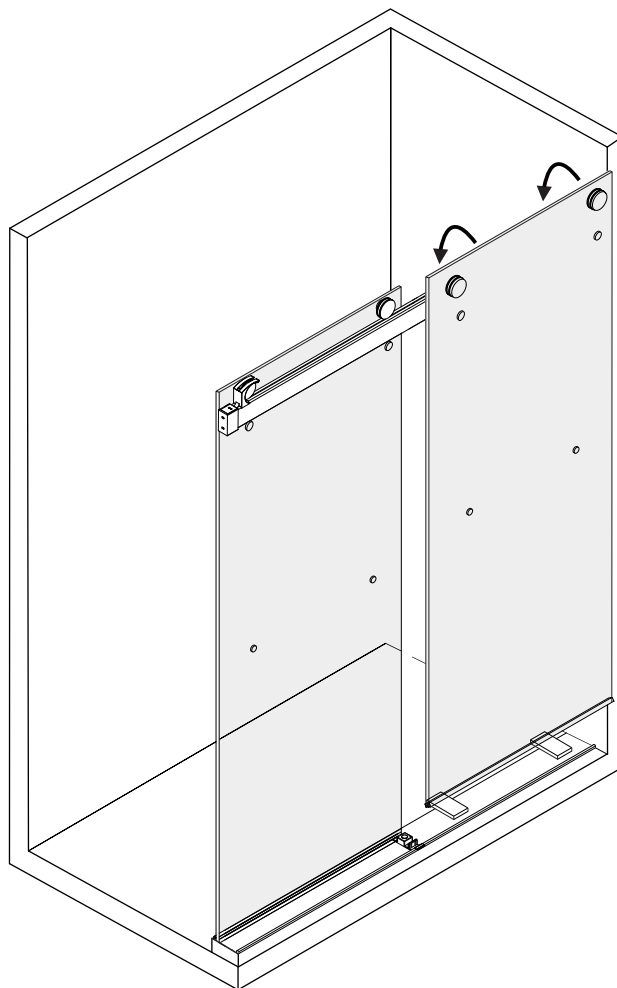


b

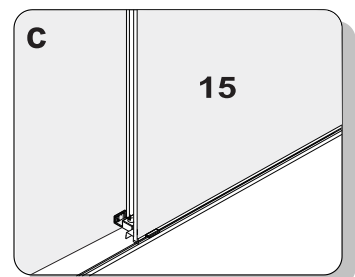
12



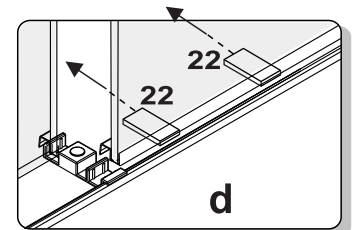
a



b





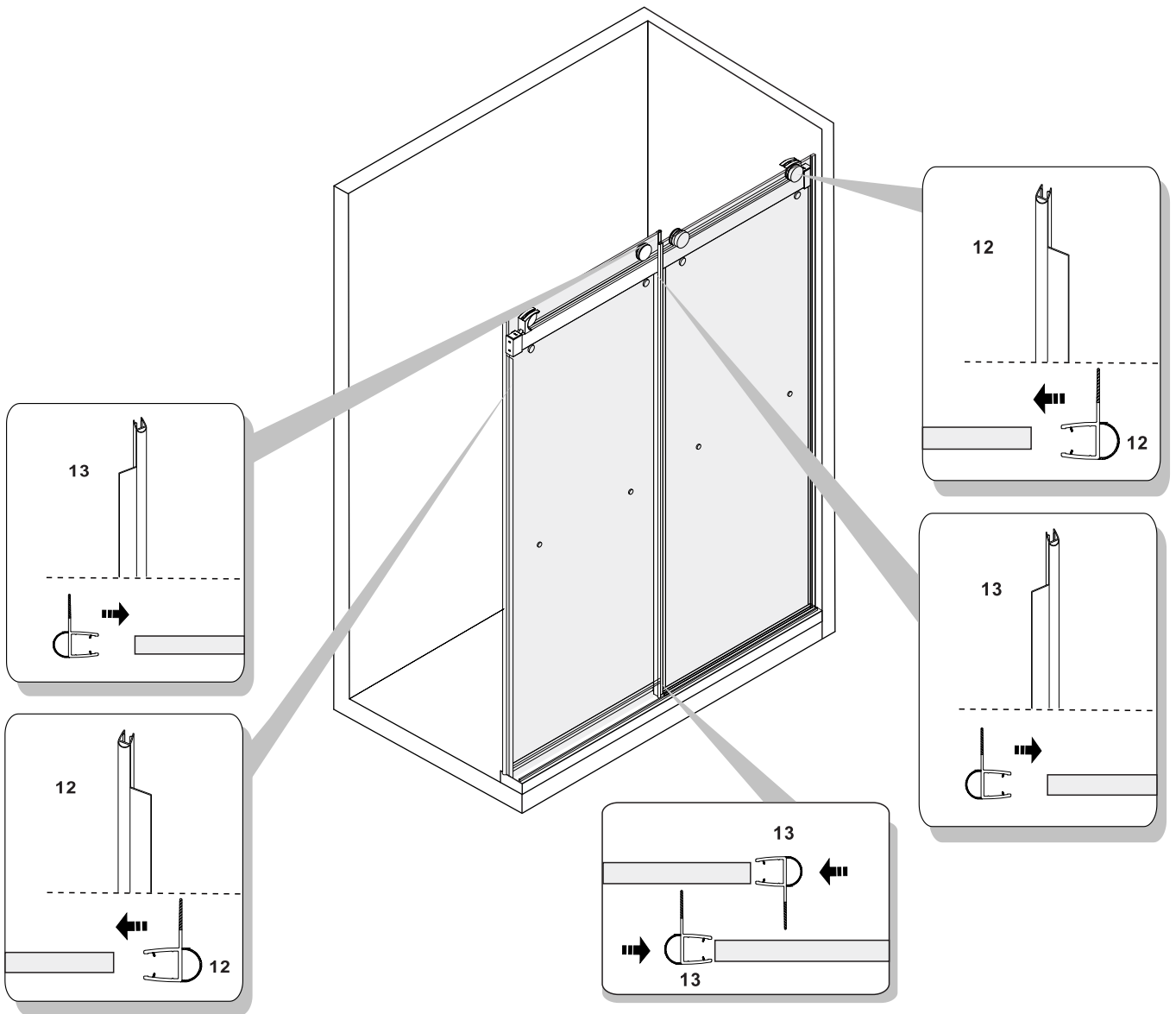
c



d

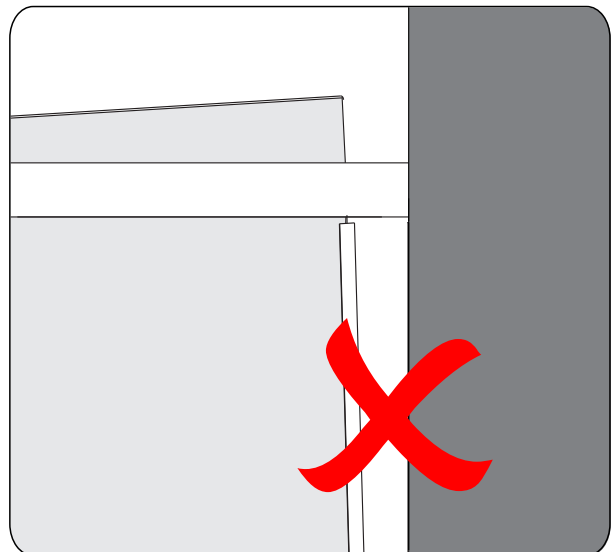
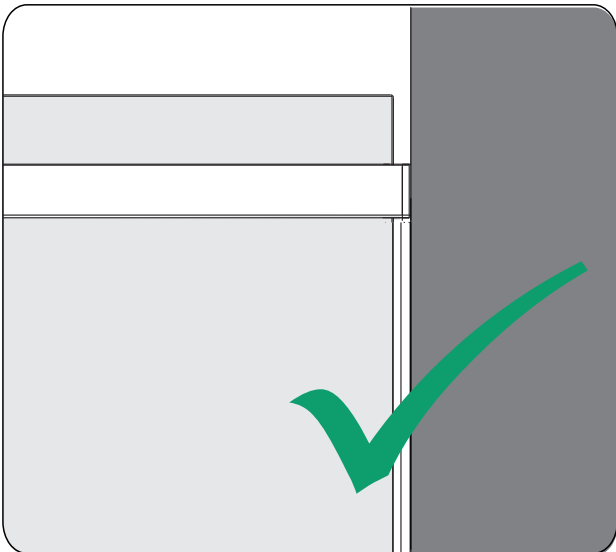
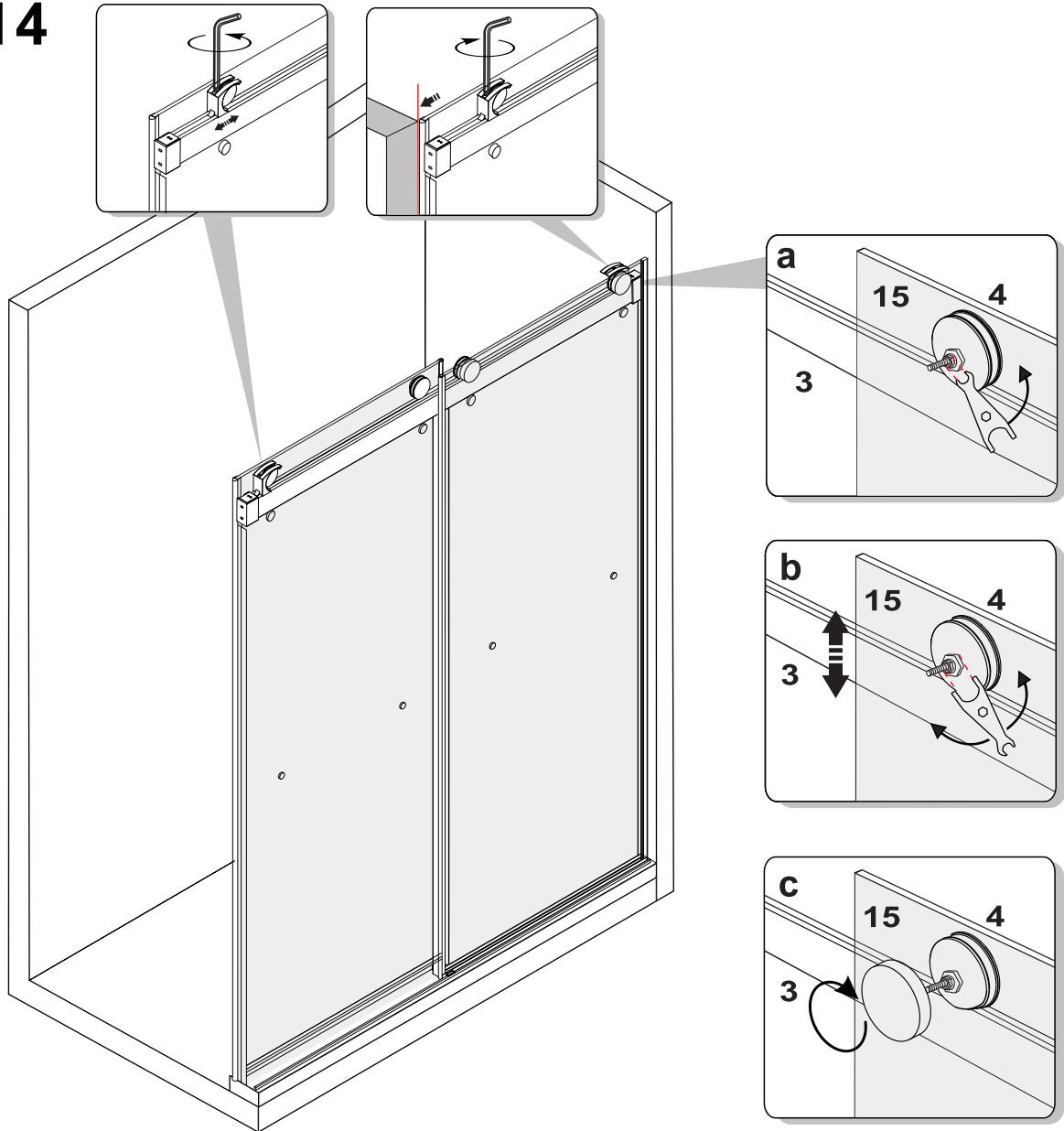
13

NO.	Picture	Qty
⑫		2
⑬		2


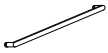


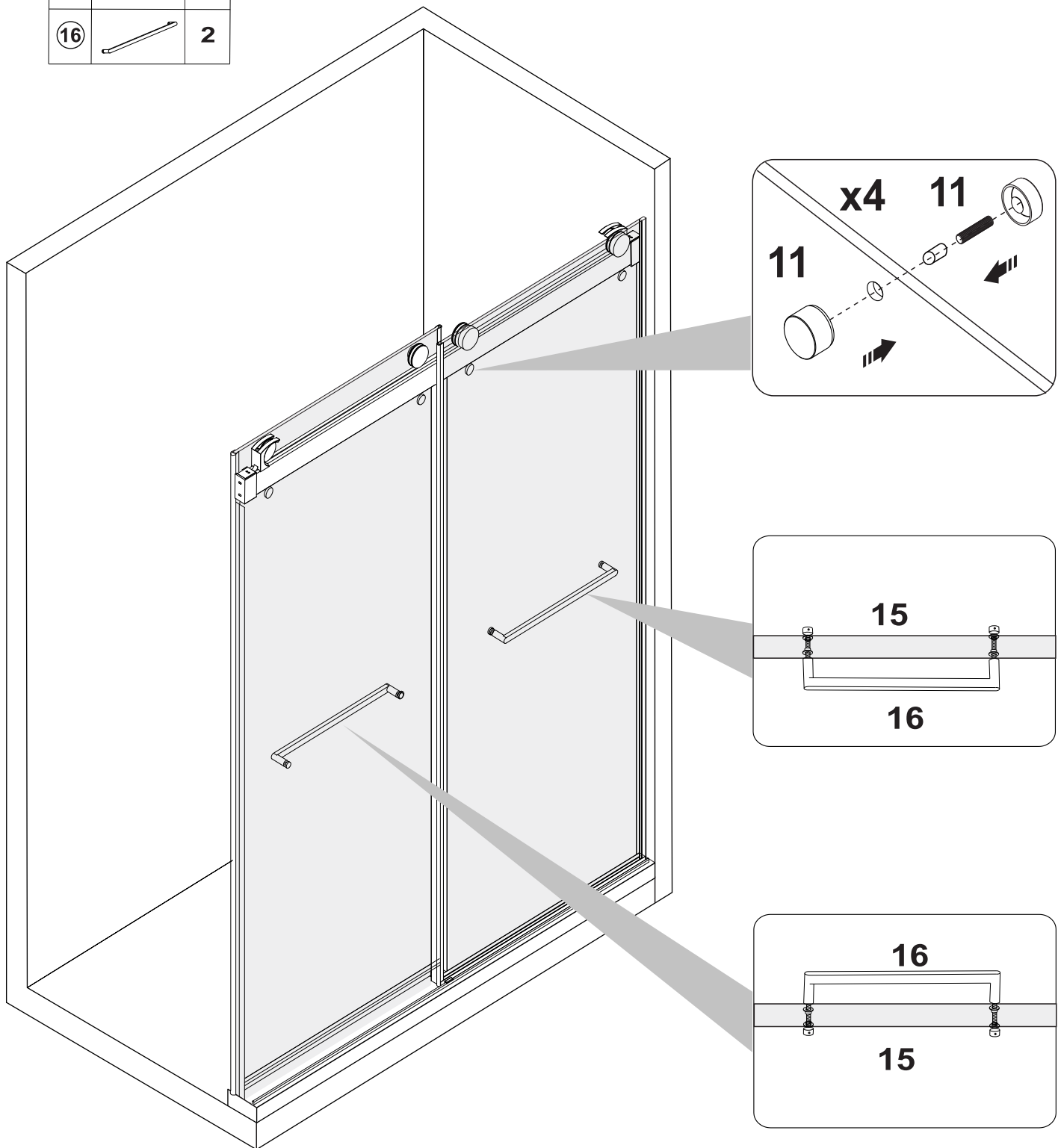
bestgoservice@126.com

14



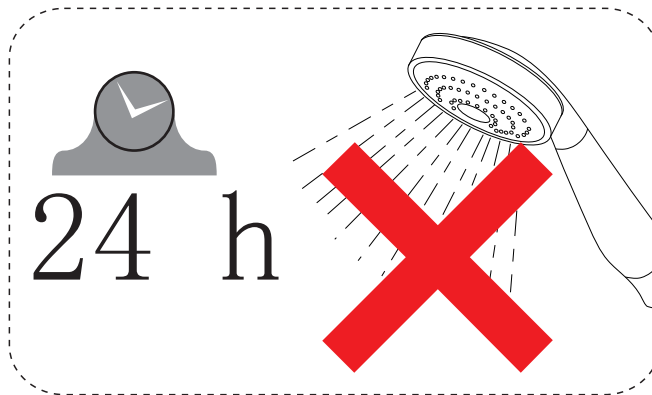
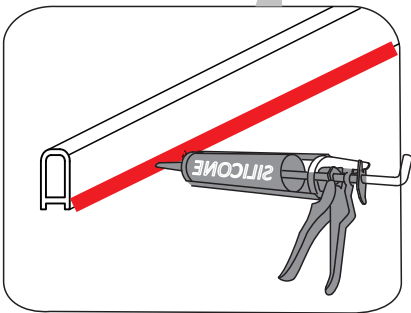
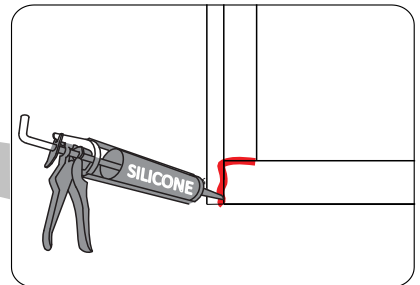
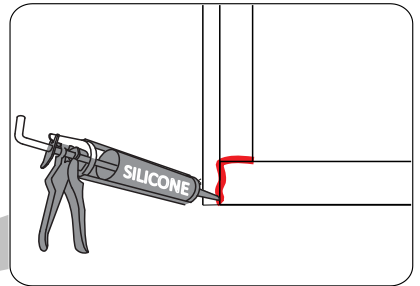
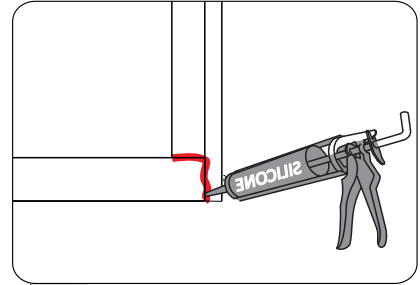
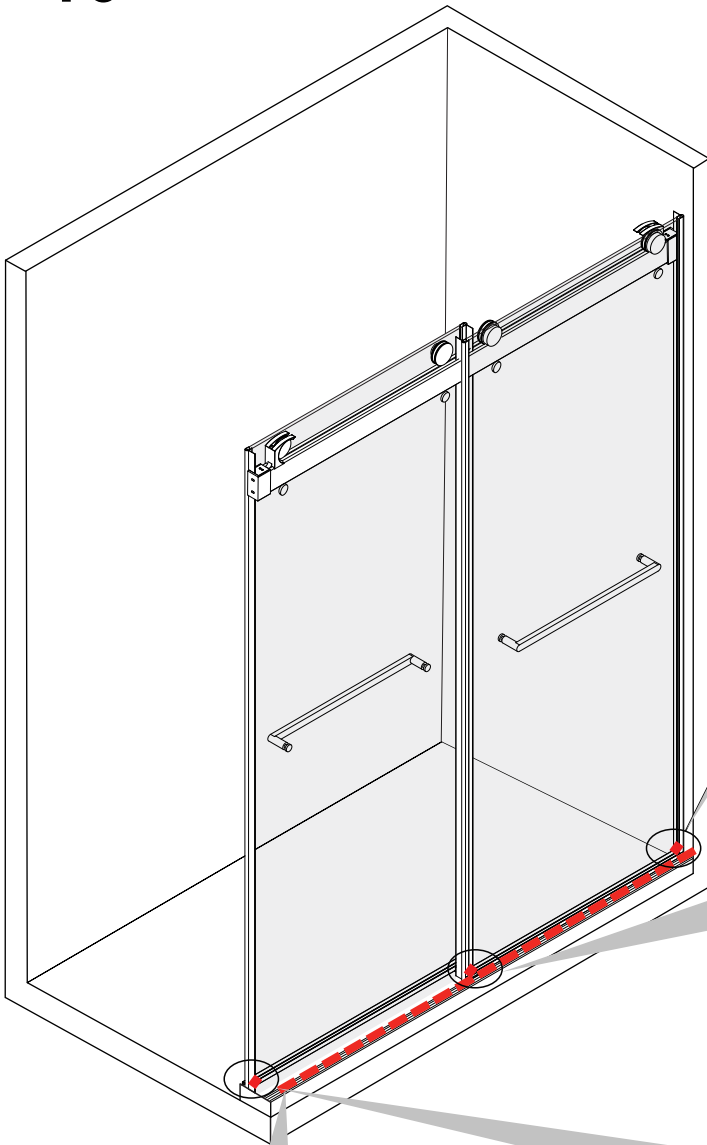
15

NO.	Picture	Qty
11		4
16		2

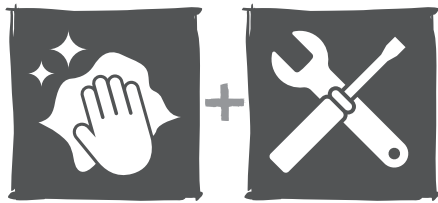


bestgoservice@126.com

16



Do not use the shower enclosure for at least 24 hours in order to allow the silicone sealant to cure fully.



Care & maintenance

The golden rules for care

NOTE: Use warm soapy water and a soft damp cloth to keep the glass clean. Wipe dry with a clean cloth. Glass cleaner can be used if required. Scourers, abrasives and chemical cleaners can damage the glass and pattern, and should not be used.

In hard water areas, insoluble lime salts may be deposited on the glass. If this is allowed to build up it becomes increasingly difficult to remove and looks unsightly. Regular cleaning will minimize this effect.

- Do not attempt to cut the glass.
 - Do not strike the glass with hard or pointed items.
 - Regularly check moving parts such as rollers and hinges to ensure they are secure and adjusted correctly. Tighten and adjust where required. Also check all sealed joints to ensure seal has not deteriorated. Re-seal if required.
-

bestgoservice@126.com