



furnishing better  
lives together<sup>®</sup>

[WWW.JOFRAN.COM](http://WWW.JOFRAN.COM)

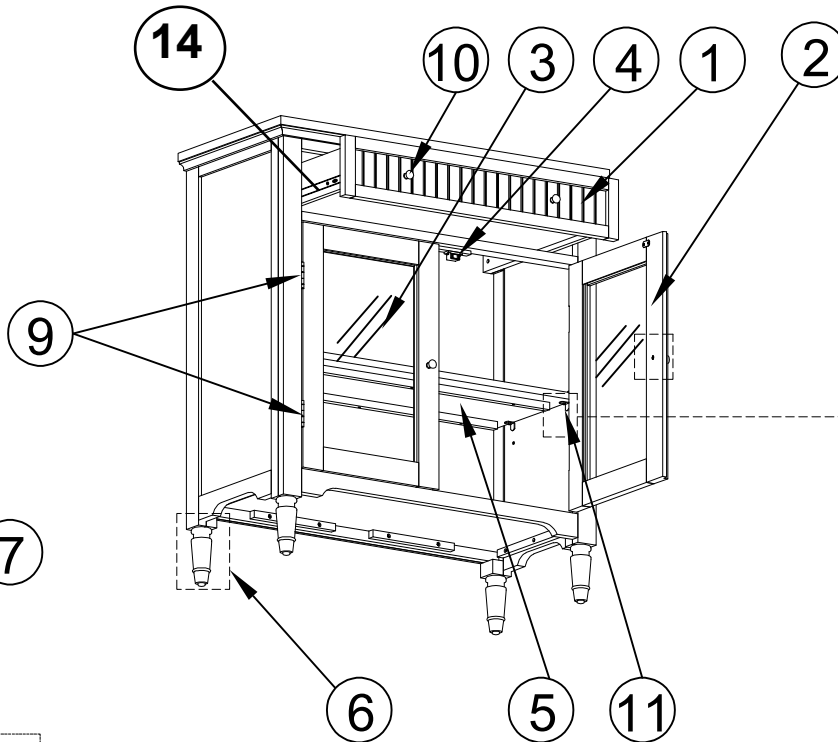
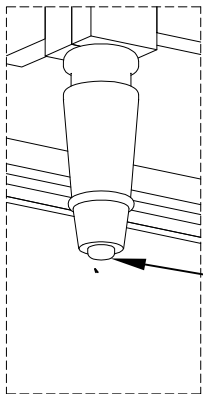
**ASSEMBLY INSTRUCTIONS &  
PARTS IDENTIFICATION**  
**MODEL # 2547-32**  
**FERN GREEN FINISH**

Thank you for purchasing this quality product. Be sure to check all packing material carefully for small parts that may have come loose inside the carton during shipment.

**KEY COMPONENTS**

No.	Code	Q'ty	Description	No.	Code	Q'ty	Description
1	2547-32P05	1 Pc	Drawer	7	2547P01F	4 Pcs	Floor glide
2	2547-32P07R	1 Pc	Right Facing Door	8	2547P01AT	1 Kit	Anti-tip kit
3	2547-32P07L	1 Pc	Left Facing Door	9	2547P07H	4 Pcs	Hinge
4	2547P01D	2 Pcs	Door catch	10	2547P04	4 Pcs	Drawer/Door Pull w/Screws
5	2547-32P08	1 Pc	Shelf	11	2547P08P	4 Pcs	Shelf pin
6	2547P02	4 Pcs	Leg	12	2547P06	2 Pcs	Extension Drawer Glide

Attaching the leg by  
turning clockwise



Support screw must be  
attached to the shelf.

