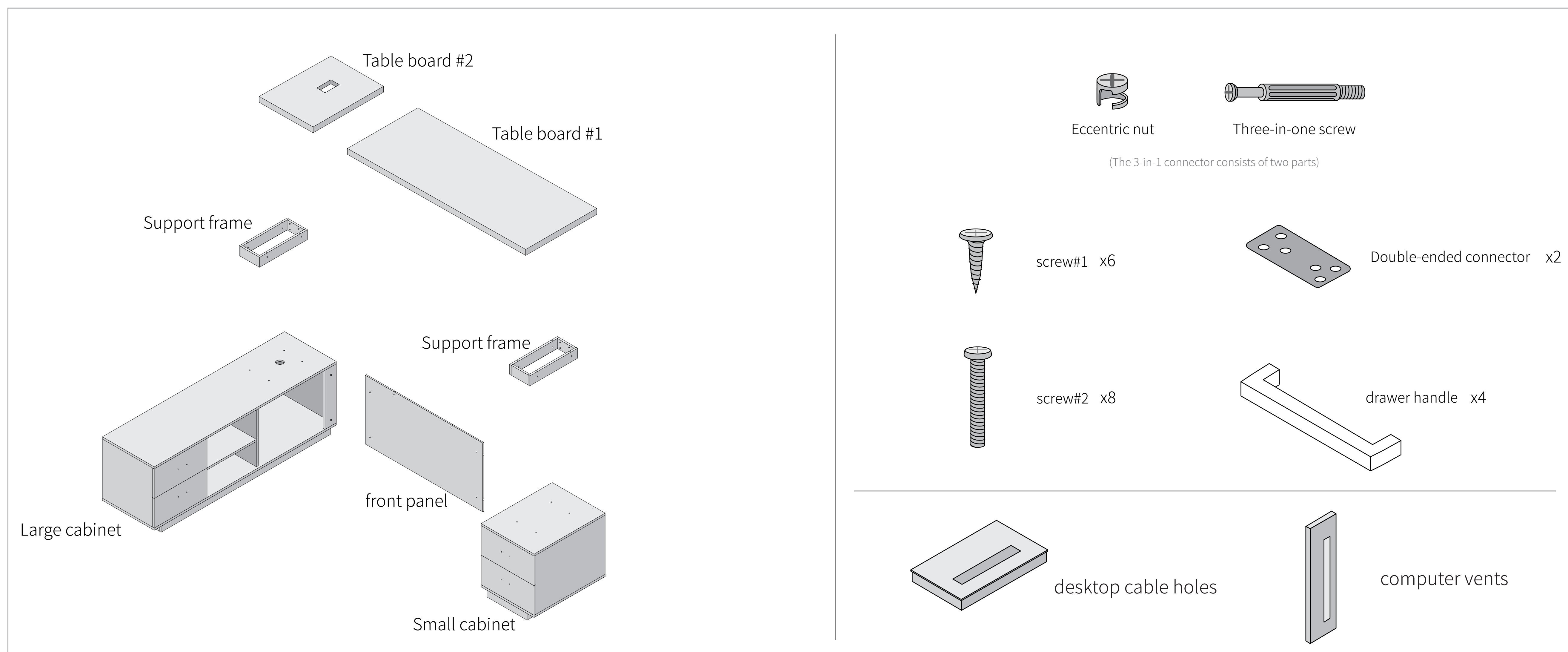


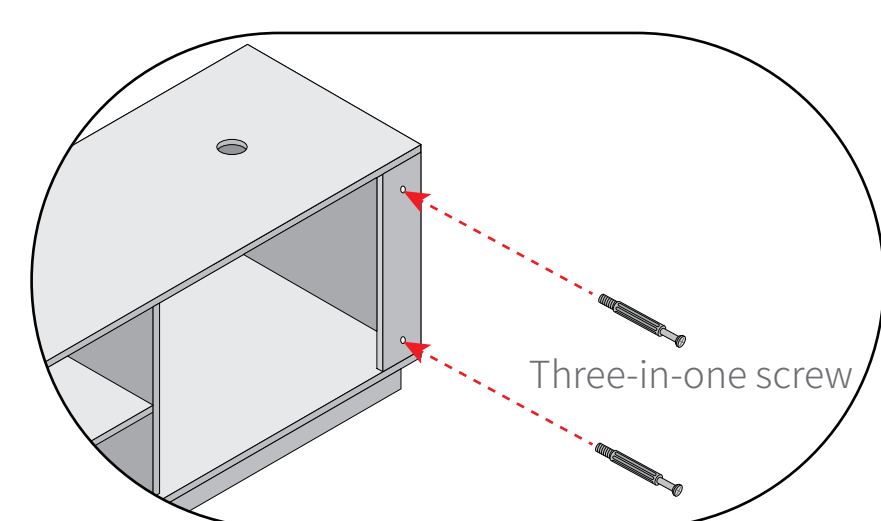
INSTALLATION INSTRUCTIONS

PARTS LIST

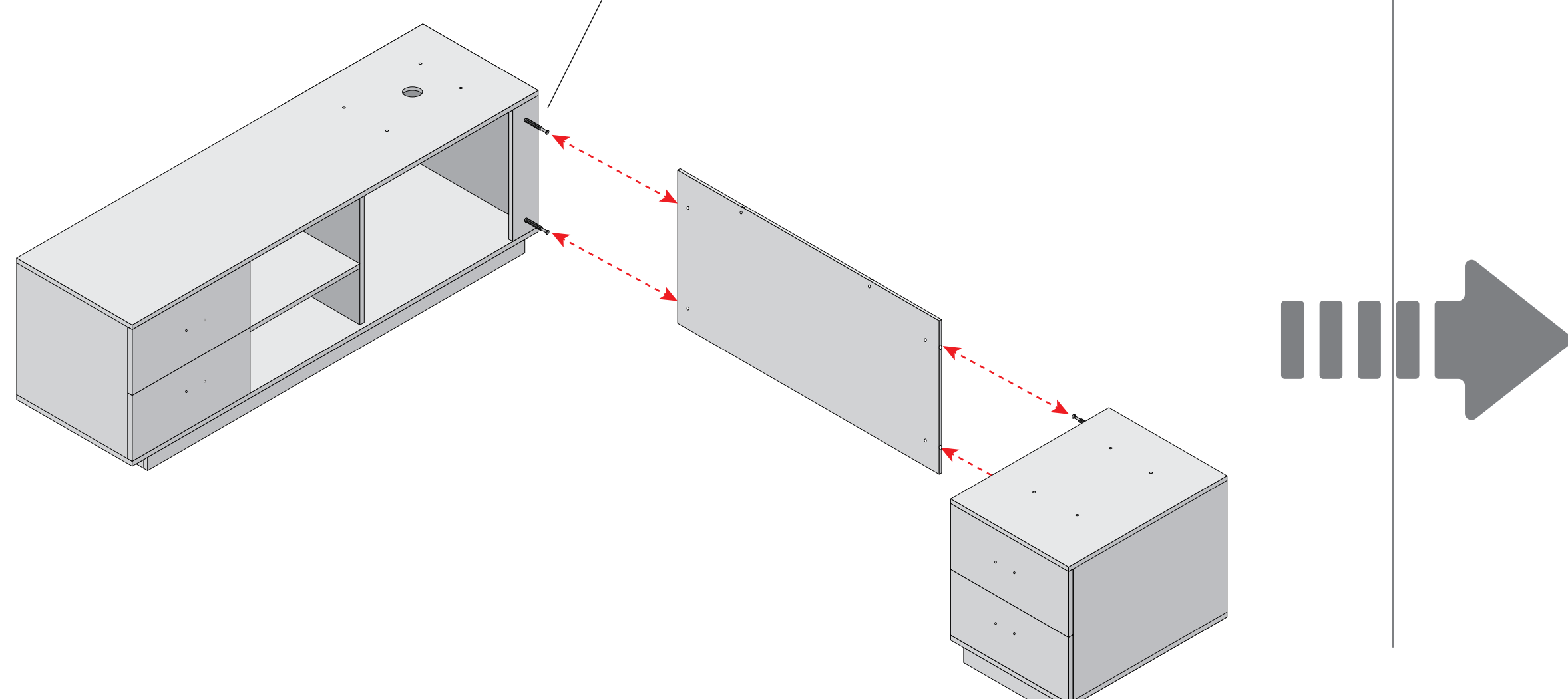
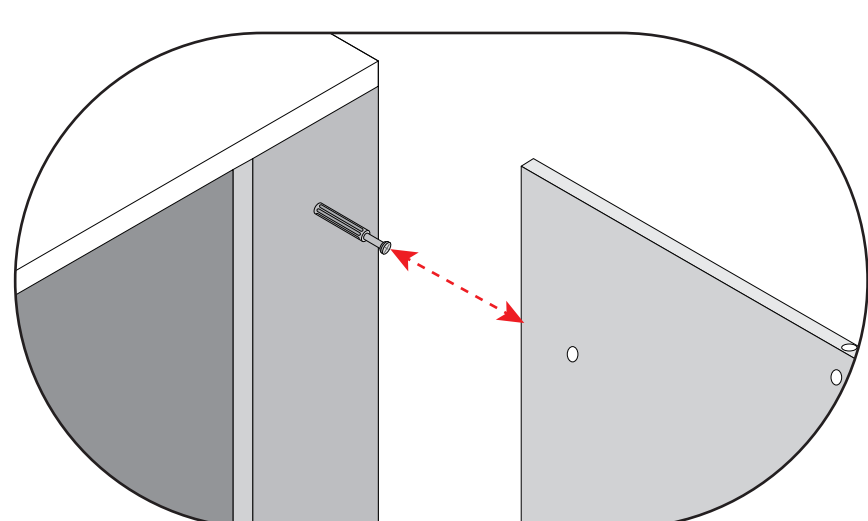
The extra parts are for spare



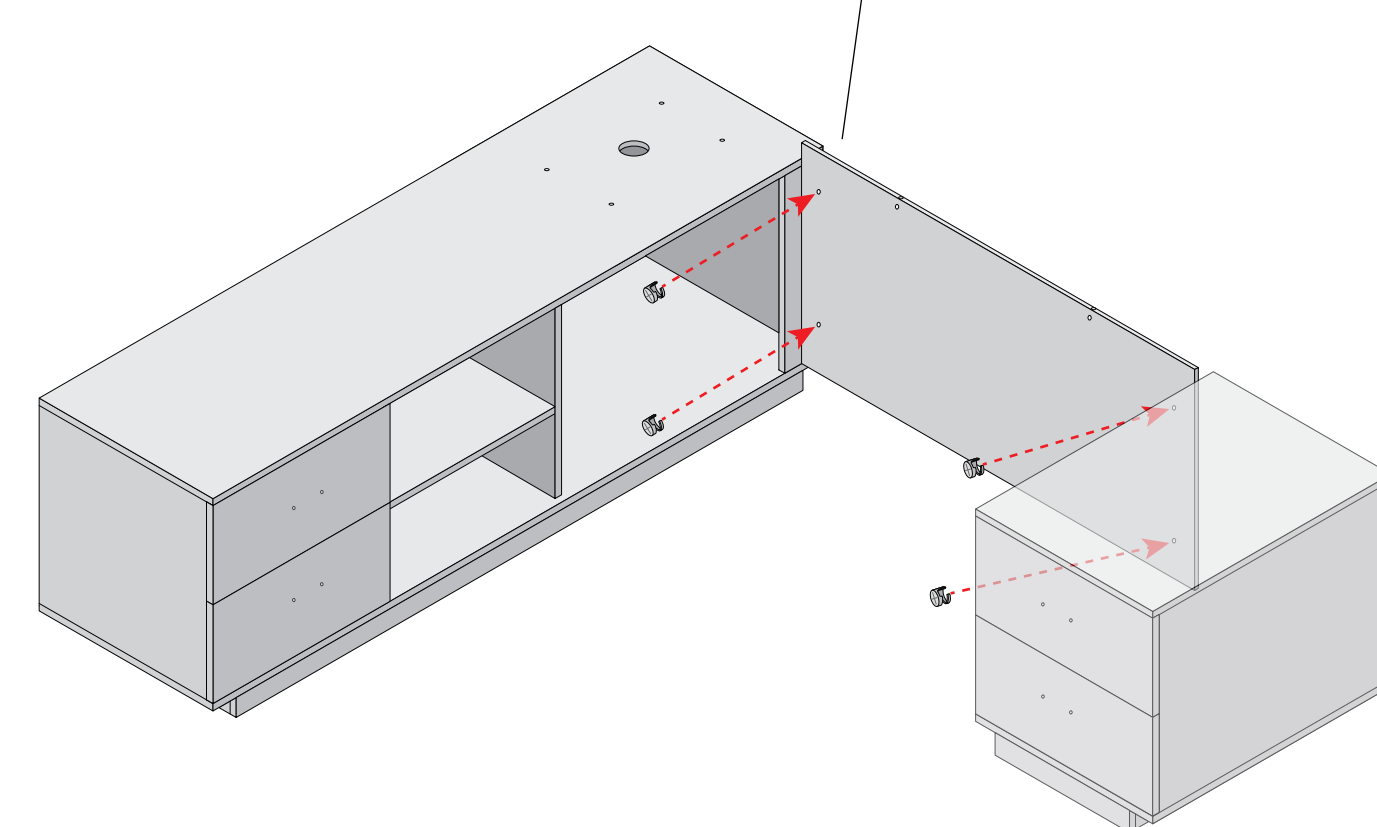
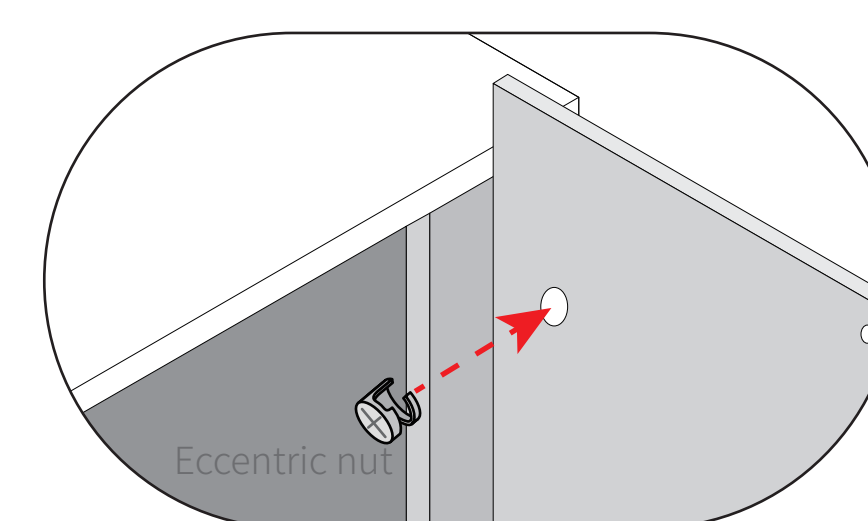
STEP 1
Install the Three-in-one screw into the holes on the sides of the two cabinets



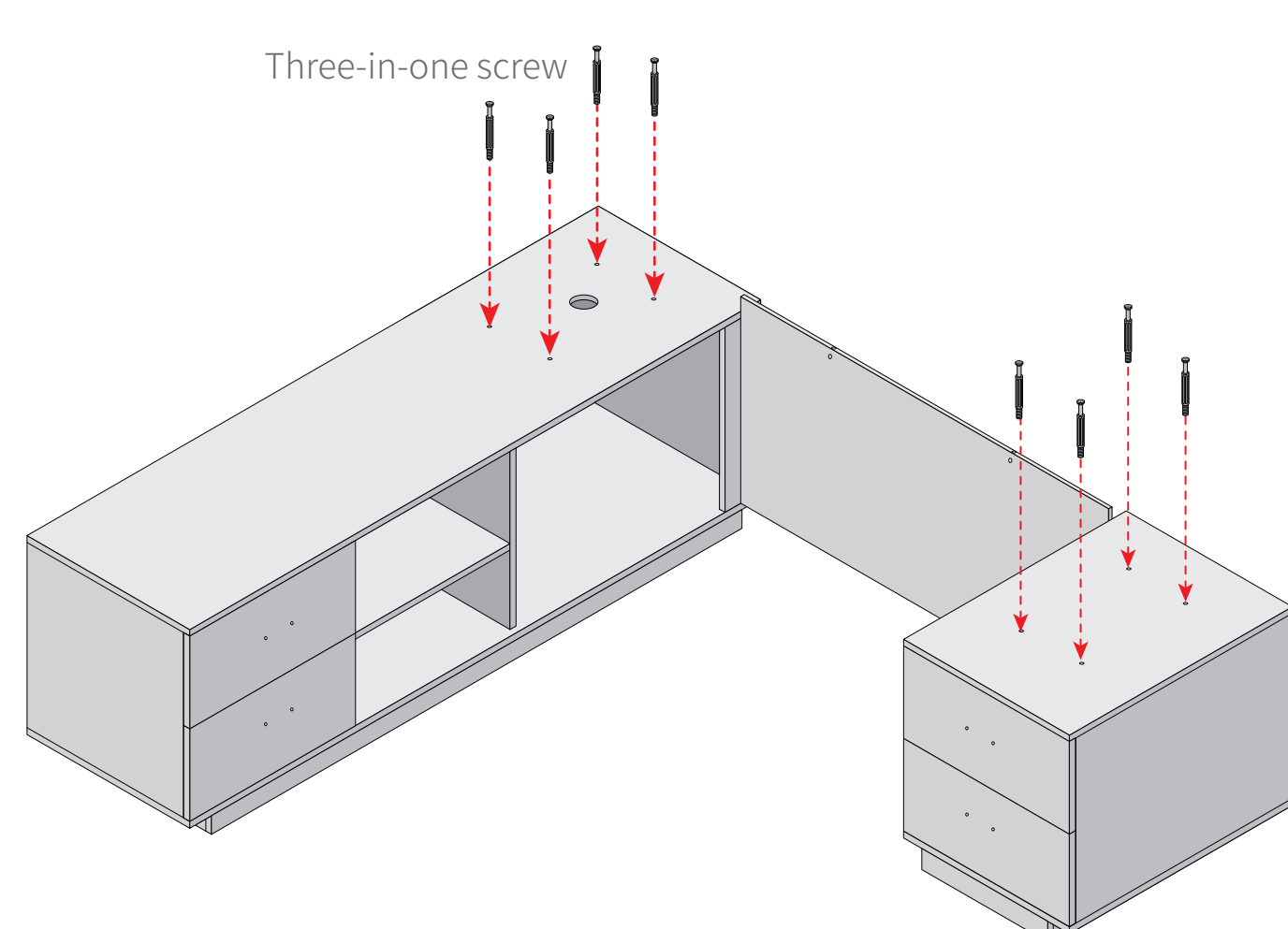
STEP 2
Connect the two cabinets using the front panel.



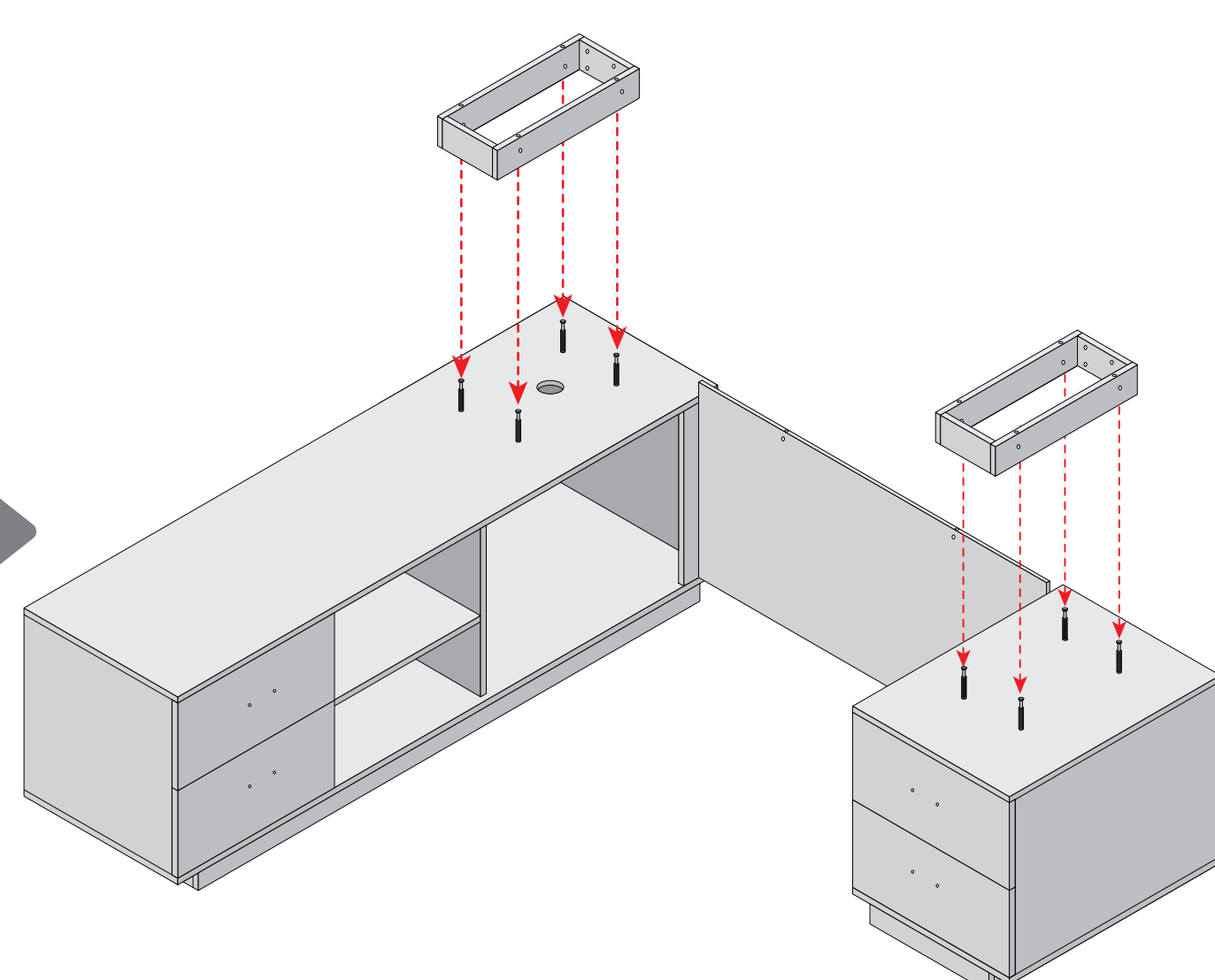
STEP 3
It is fixed by Eccentric nut



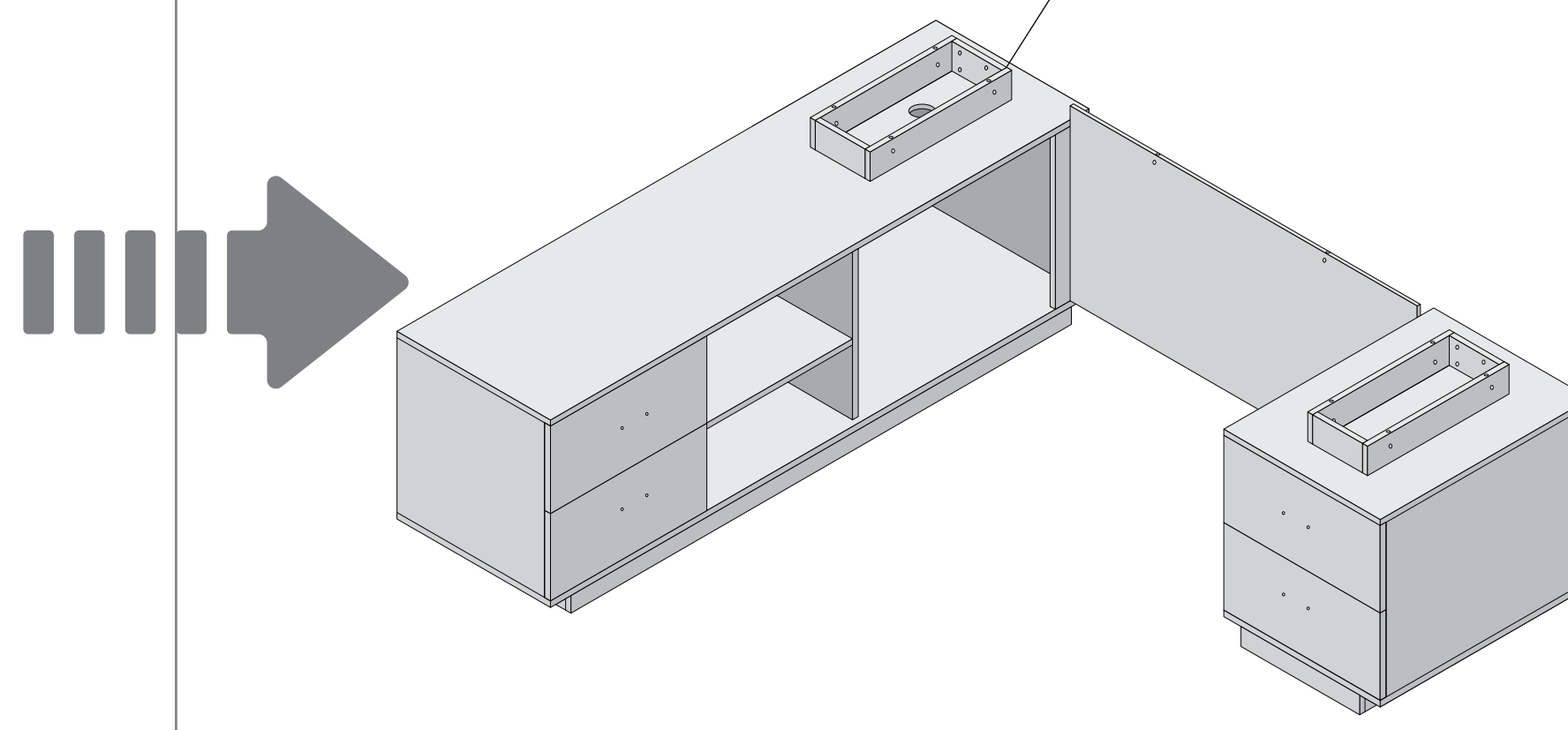
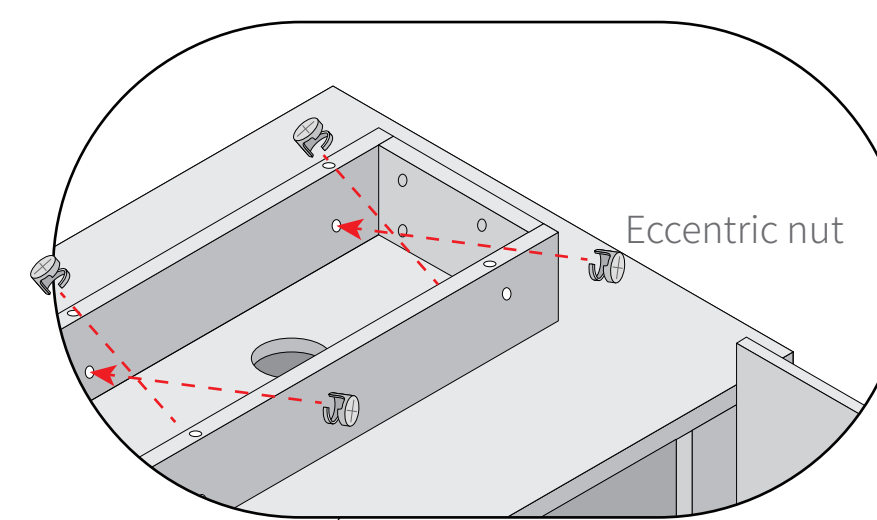
STEP 4
Install the 3-in-1 screws into the top holes of the two cabinets



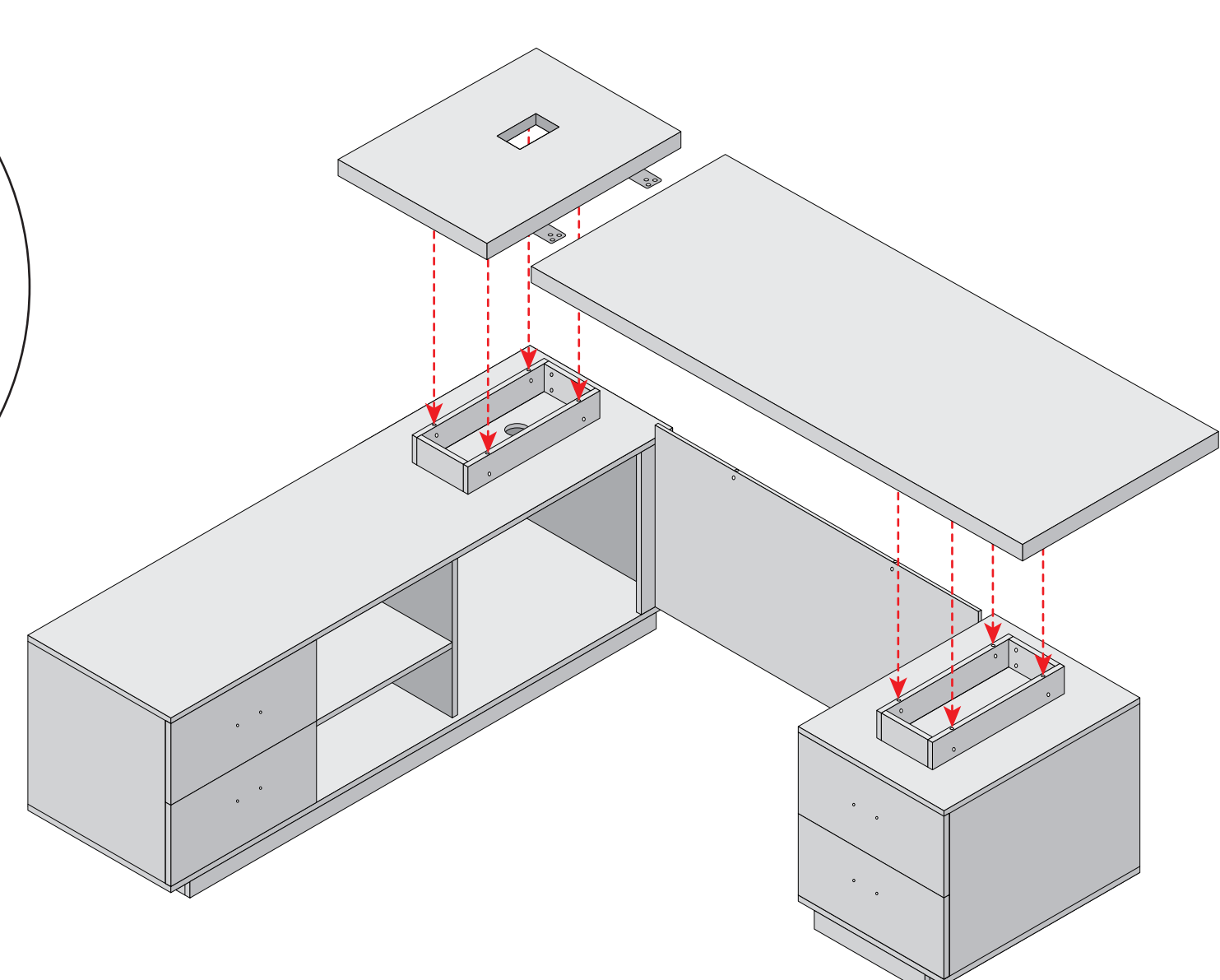
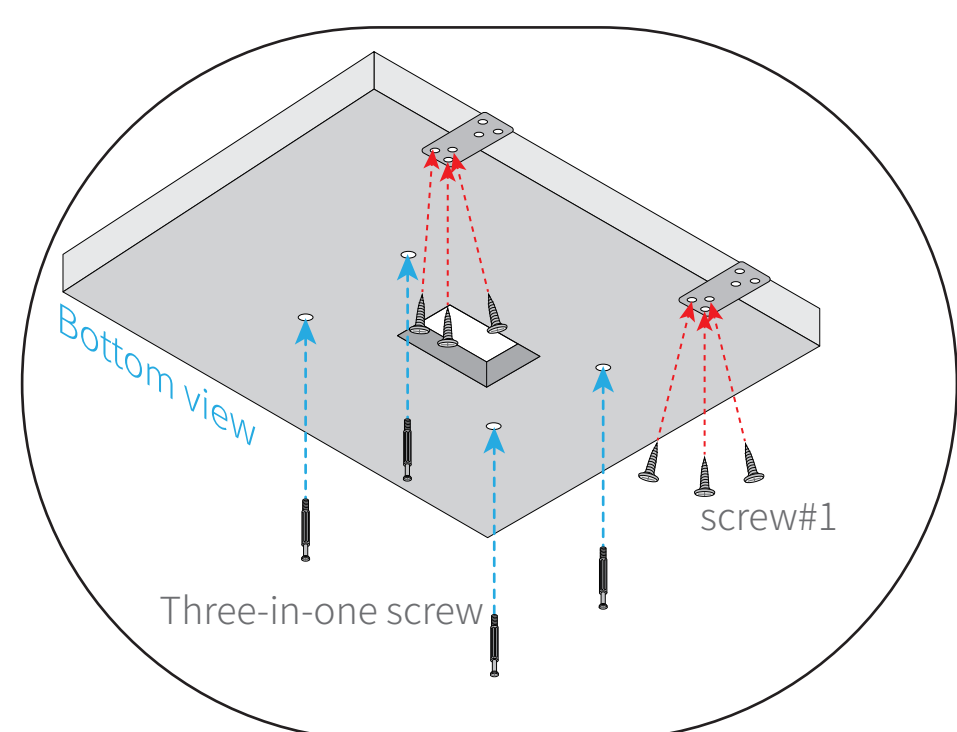
STEP 5
Install the support frame on the cabinet



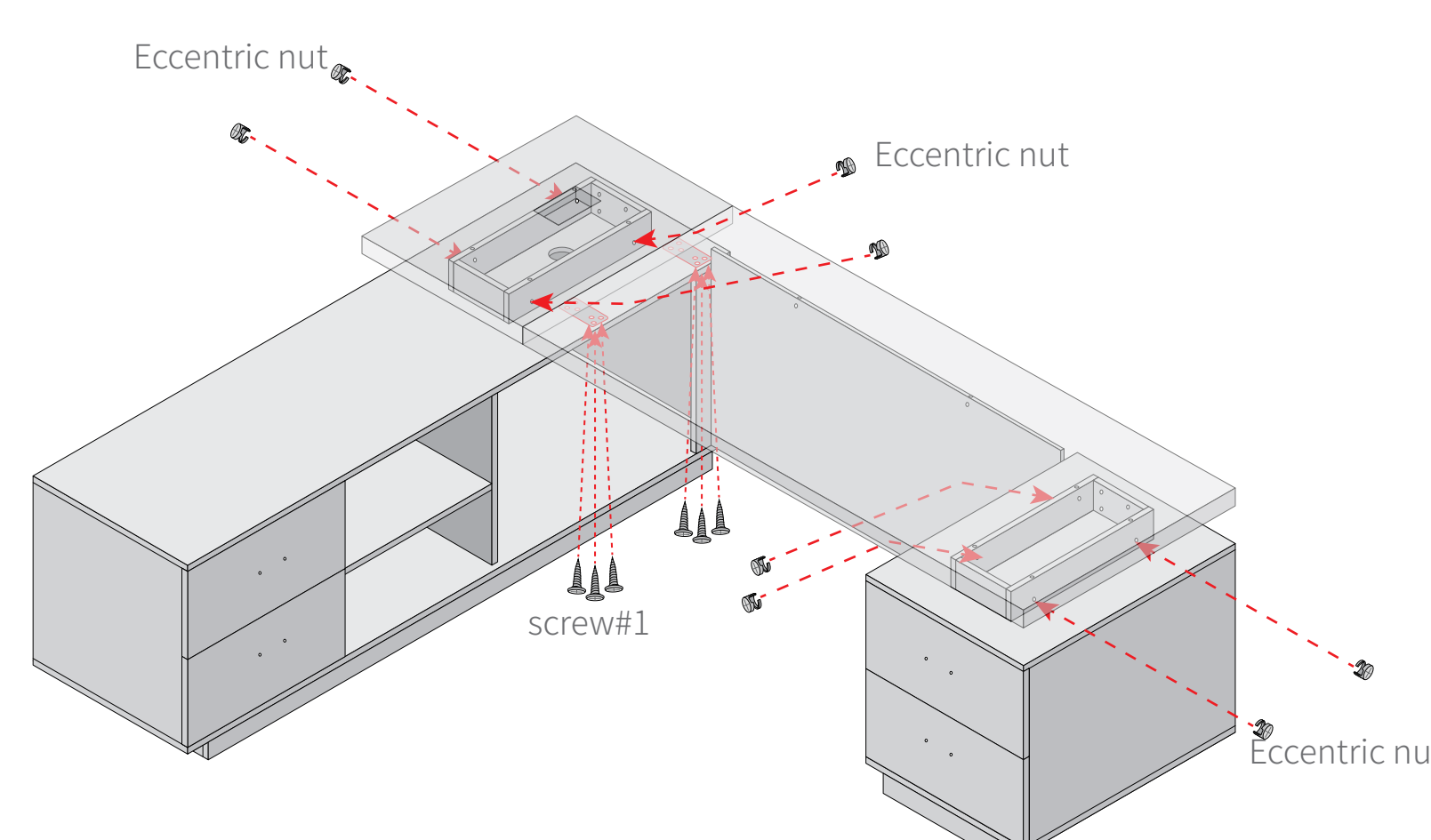
STEP 6
It is fixed by Eccentric nut



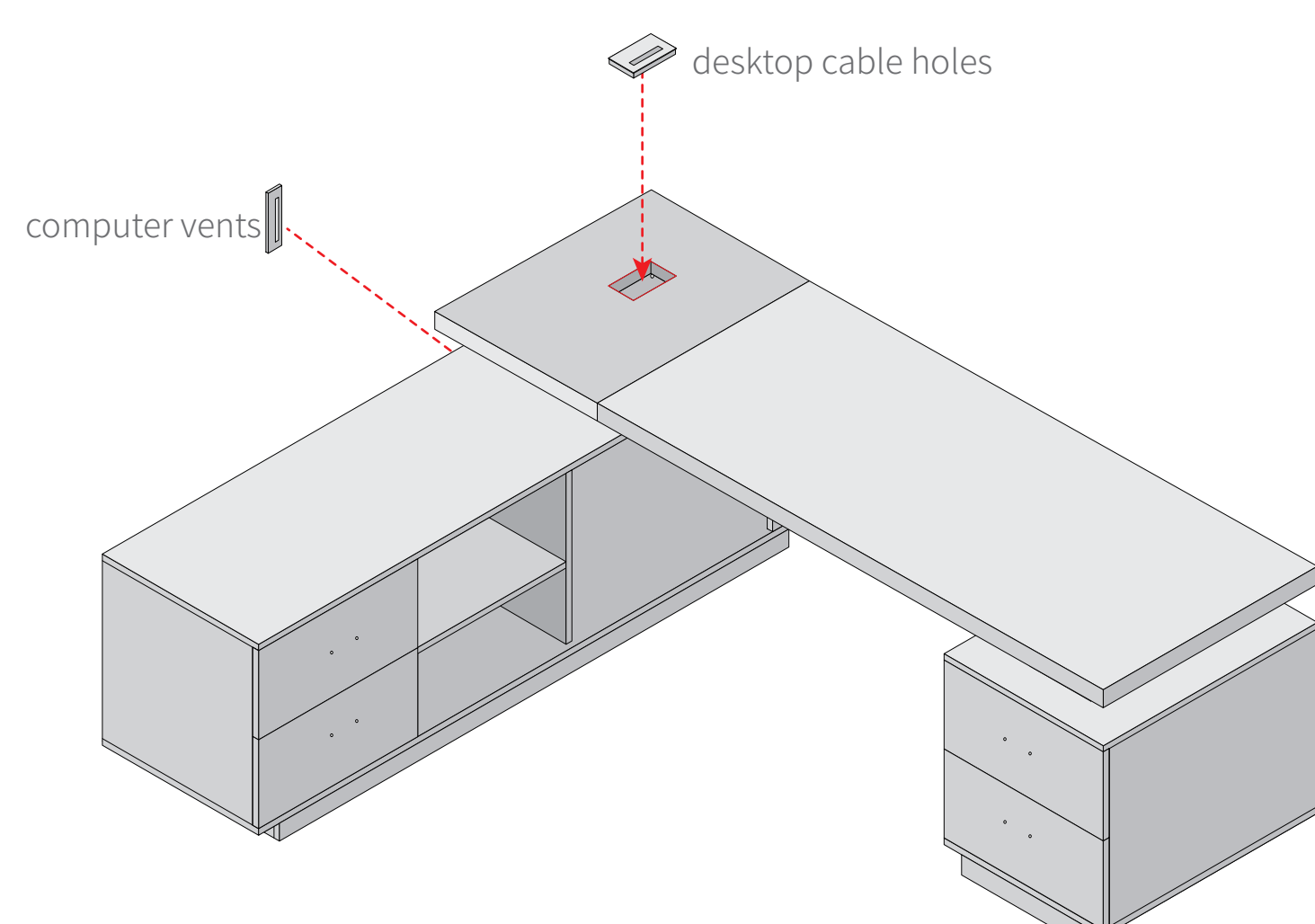
STEP 7
Install 3-in-1 screws on the bottom of the two tables tops,
Install two double-ended connectors on the bottom edge of Table board #2
Place the two tables on the support frame and align the holes



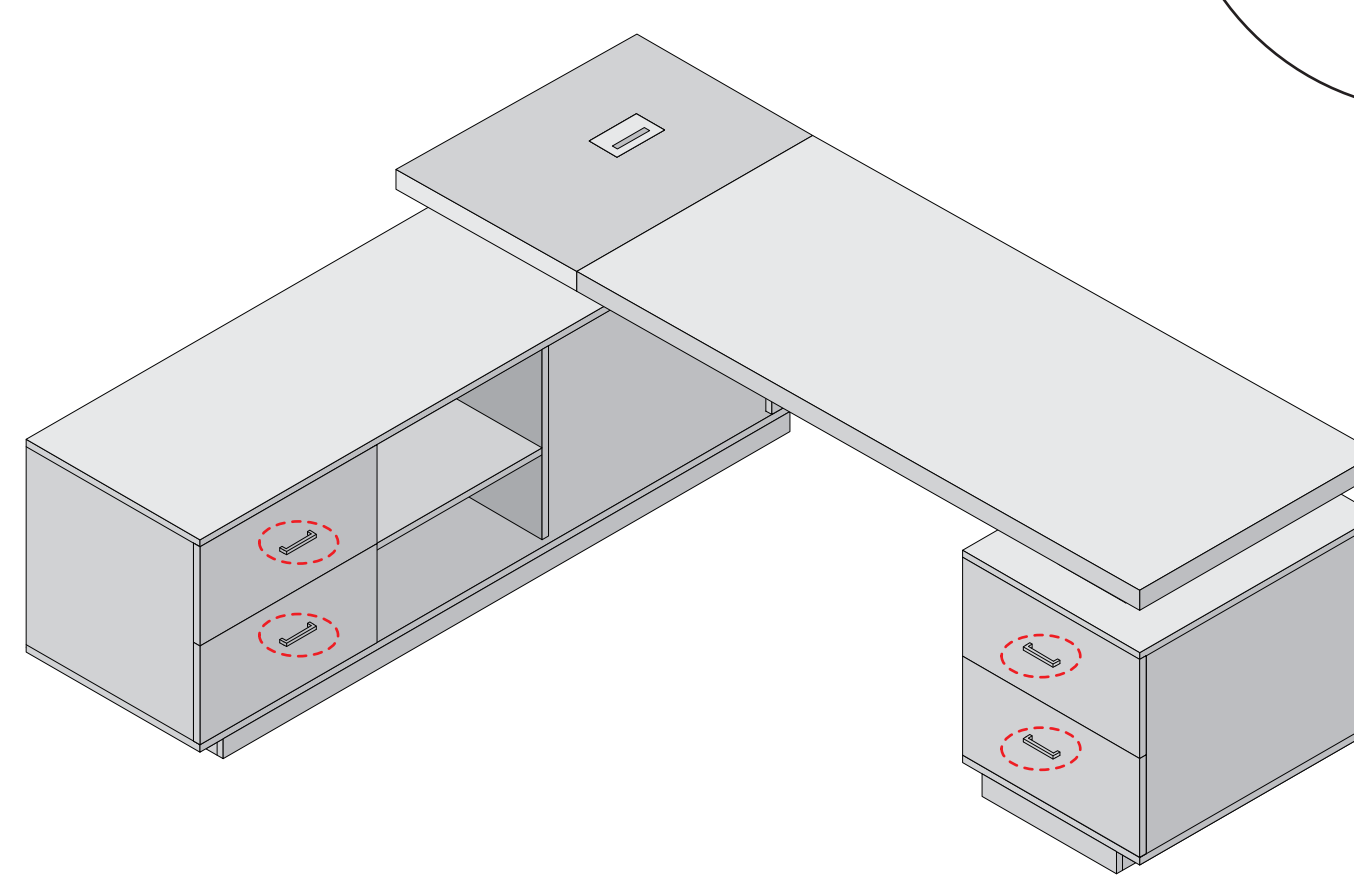
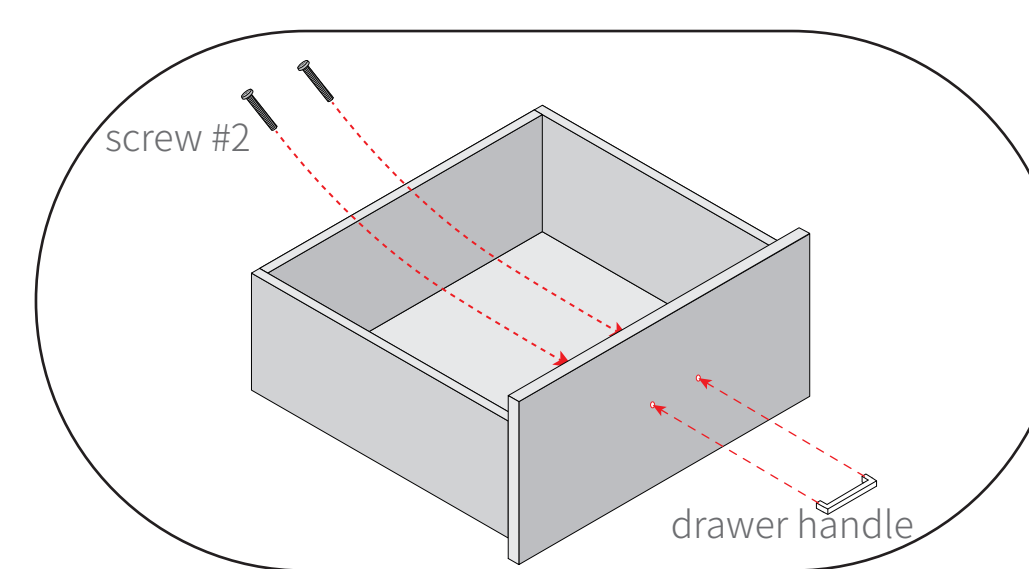
STEP 8
Use eccentric nuts on the left and right sides of the support frame.
Screws are used to secure the double-ended connector at the joint of the two tables



STEP 9
Install computer vents and desktop cable holes



STEP 10
Install the handle with screw #2 from the inside of the front panel of the drawer



INSTALLATION COMPLETED

