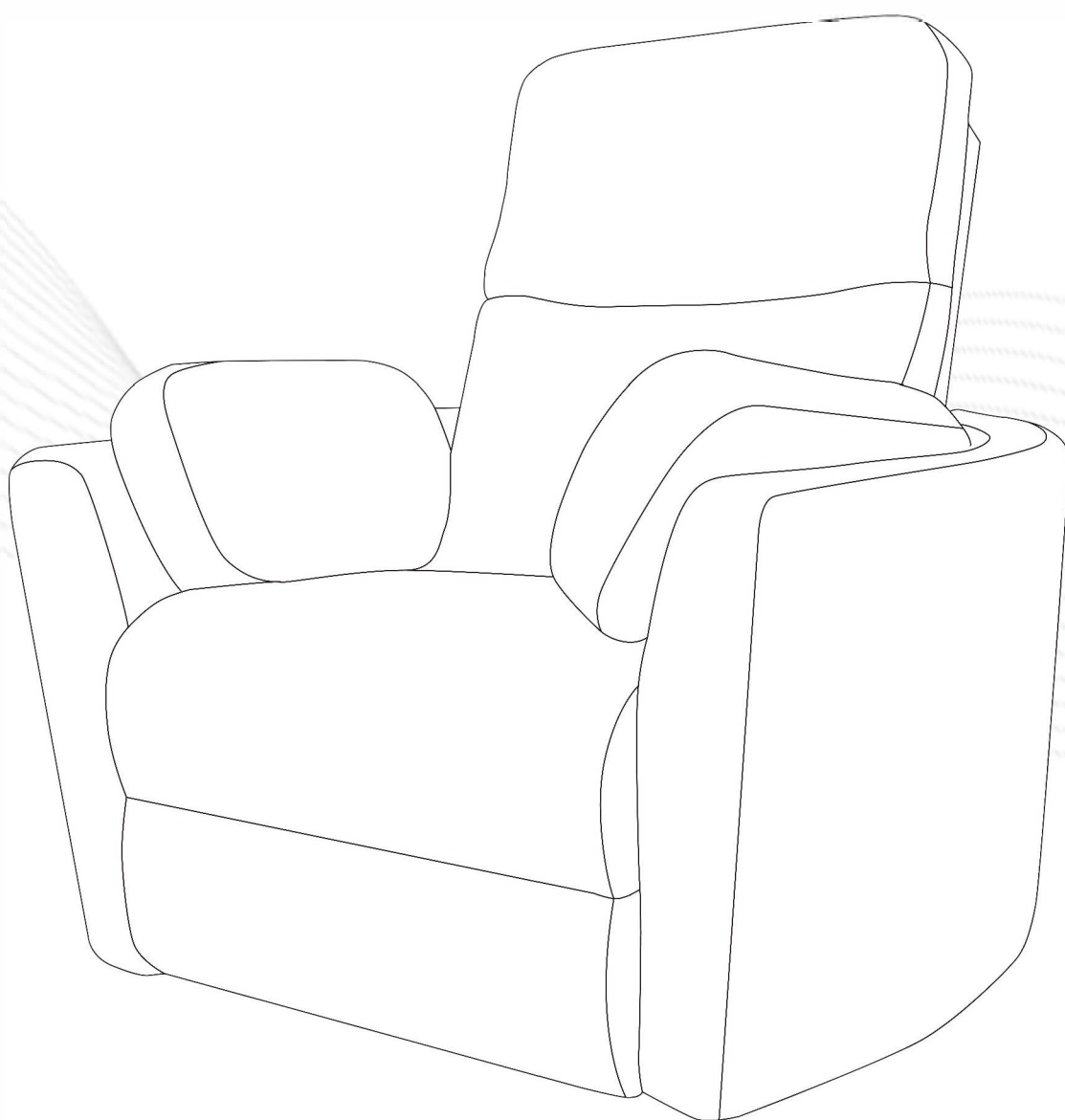


Assembly Instruction



NOTICE

[If any question, contact us via internal messaging]

- Firmly secure all parts before use.
- Reconfirm that all parts are secure every 90 days.
- Do not use or store this item or its parts in the proximity of open flame or flammable/combustible chemicals.
- Do not expose this product to water.
- This chair is not designed for multiple people to sit at once.
- Do not stand on the chair.
- Do not let small children or pets near during assembly.
- Do not sit reverse or sit outside of the seat cushion.
- Do not use this item in a way inconsistent with the manufacturer's instructions as this could void the product warranty.

WARNING

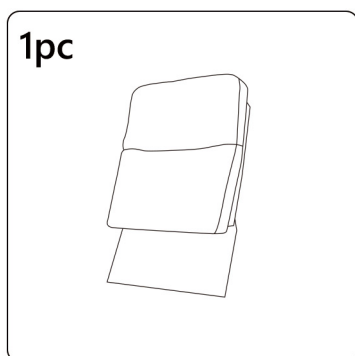
- This product contains electrical components; avoid exposing it to high temperatures or humidity.
- Always disconnect this appliance when not in use.
- Use only a grounded outlet to plug in this product.
- Do not plug this product in with an electrical adaptor.
- Do not modify the plug.
- Do not allow unattended children and defective persons to operate this product.
- Do not stand on any part of the chair.
- Do not use this product outdoors.
- Do not use this product if the massage mechanism is exposed.
- If you experience any pain, illness, or discomfort during use, discontinue using this chair and consult with a physician.
- Do not use this product at the same time as other medical or therapeutic devices, such as blanket warmer or another massage device.
- Only operate this device on a stable, flat surface.
- Do not operate massage function or heating function for long periods of time.
- Do not pull out the plug to turn off this product. Turn off all functions before unplugging this product. Refrain from using this product if advised against by your healthcare professional.
- Do not operate this product if under the influence of alcohol, have a pacemaker, heart condition, skin injury, pregnancy, recent childbirth, sensory feedback disruption conditions like diabetes, osteoporosis, chronic pain, fever, or any medical condition that may impede safe usage.

CHAIR SPECIFICATIONS

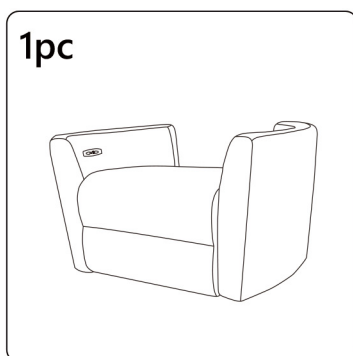
Weight	N.W.: 88.18lbs G.W.: 99.43lbs
Power Input	100-240VAC ~ 50-60Hz
Power Output	29VDC 1500MA
Rated Voltage	DC 29.0V
Rated Power	58W
Maximum Power	174W
Rated Current	1.8A

Thanks for purchasing our products. Please read this manual before assembly. And please assemble in order. After the assembly, keep the instructions properly. Make sure all the parts are included (7 kinds in total)

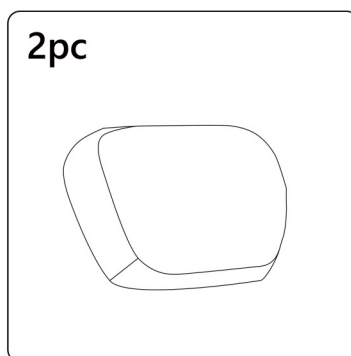
COMPONENTS



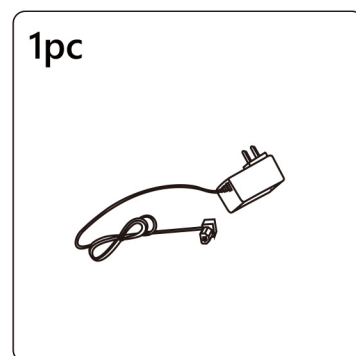
A



B



C

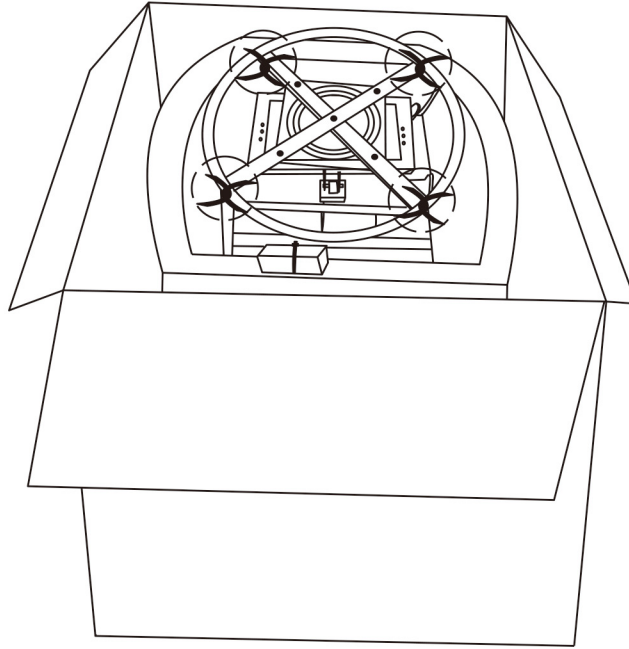


D

ASSEMBLY INSTRUCTION

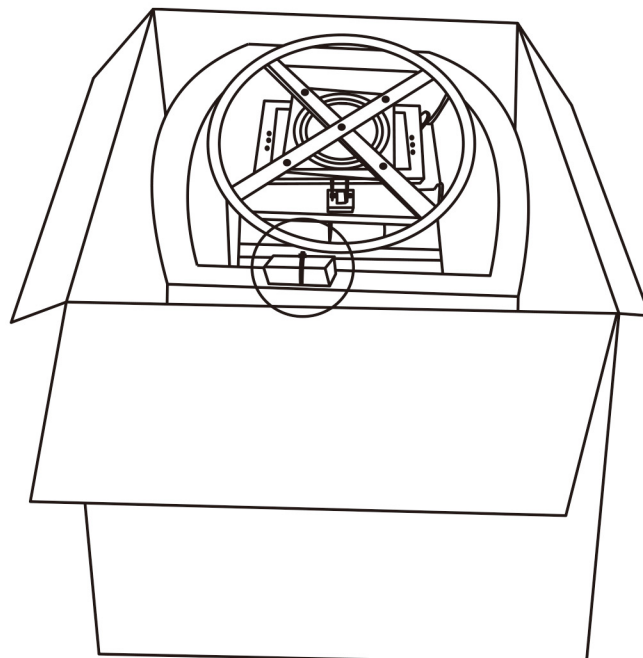
Step 1

Untie the straps to allow the base to move freely.



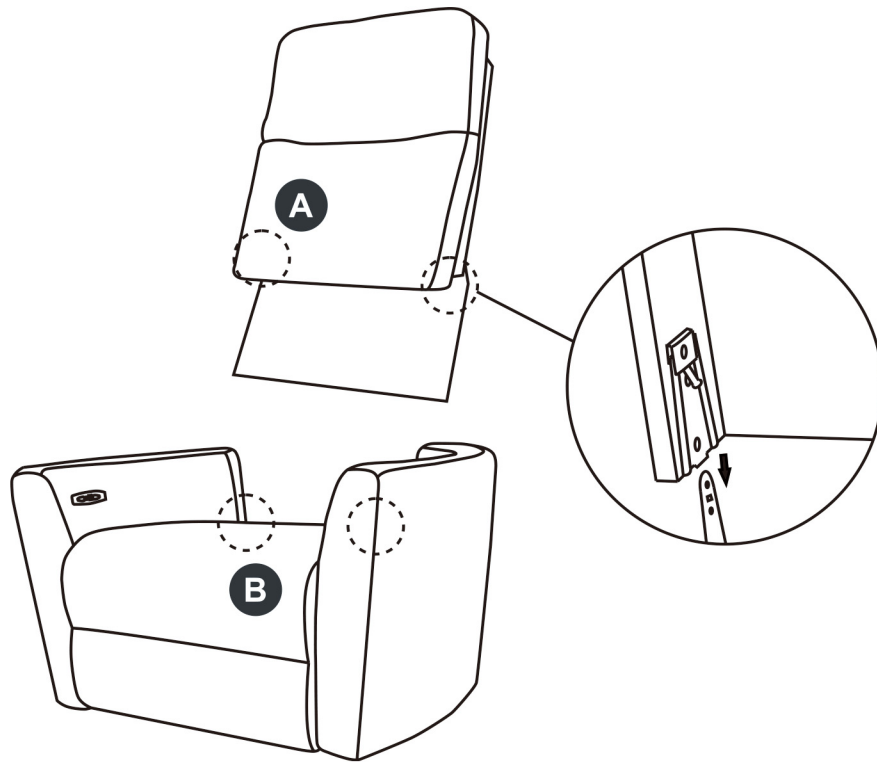
Step 2

Untie the straps and remove the power distributor.



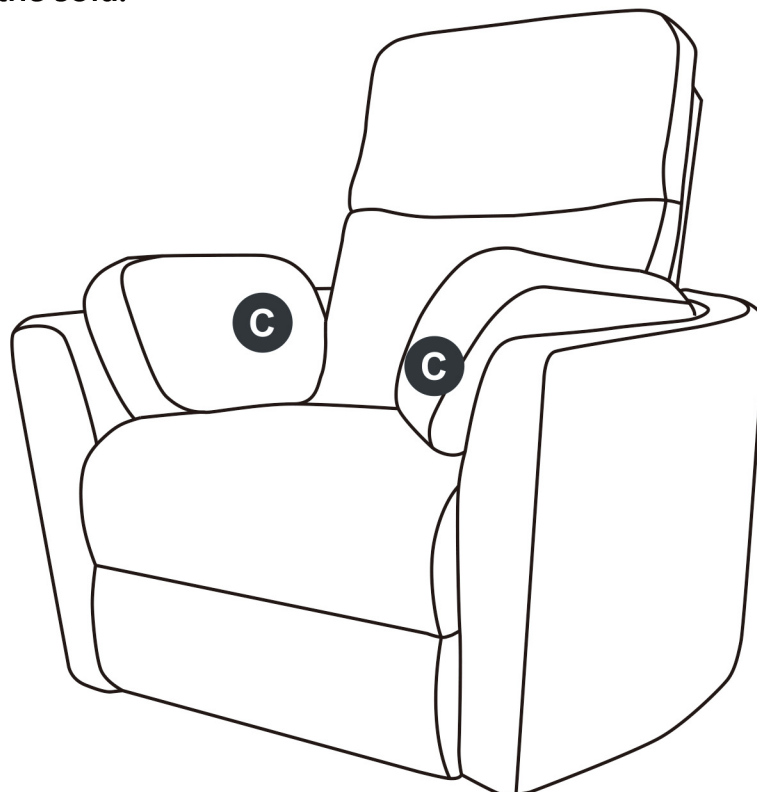
Step 3

Untie the straps and remove the power distributor.



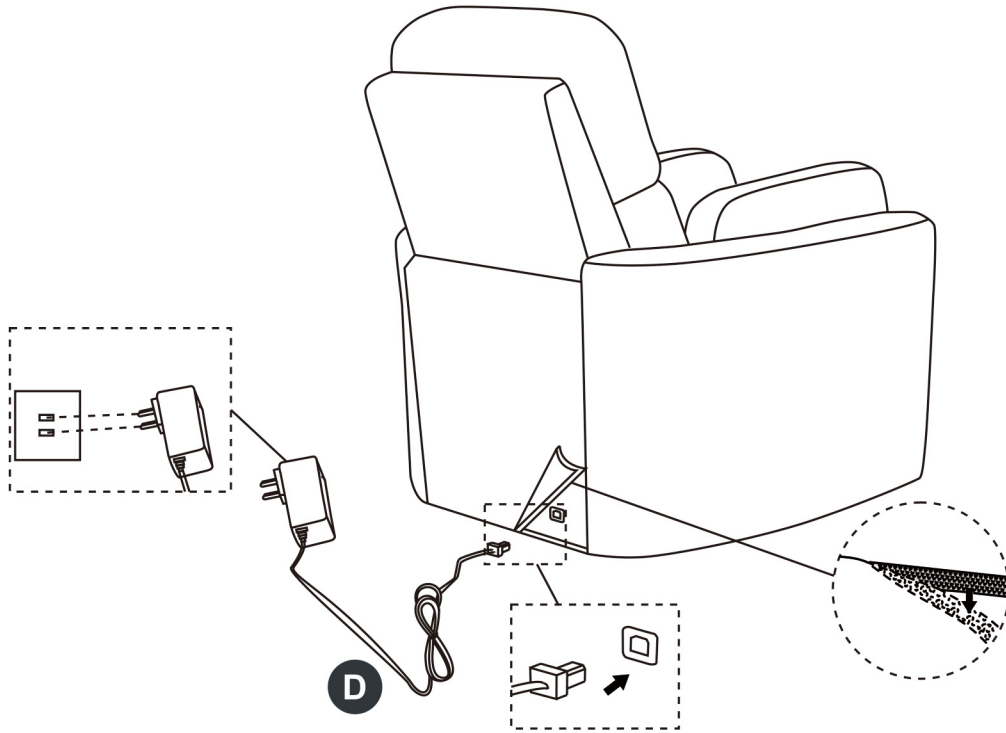
Step 4

Place pillow C on the sofa.



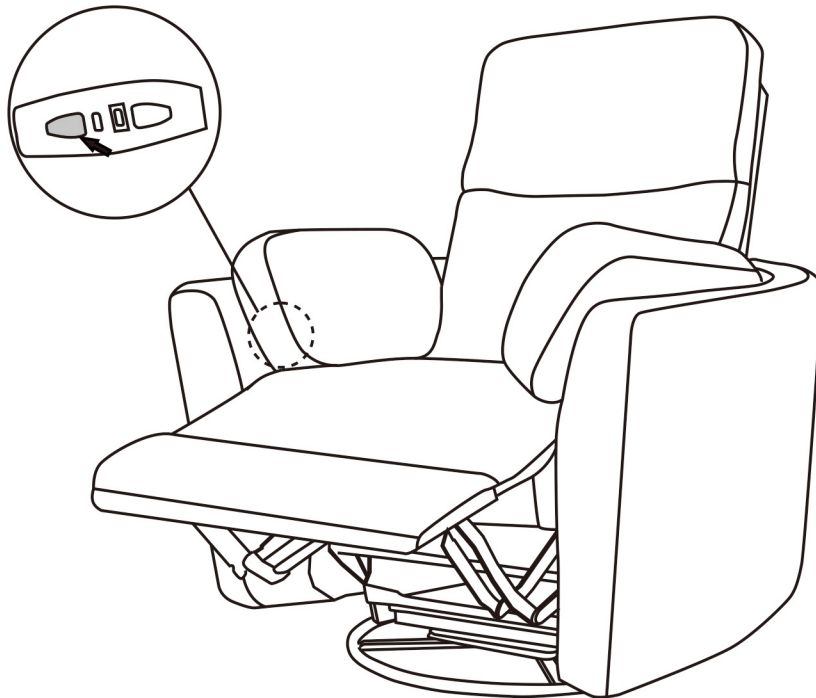
Step 5

Connect the power distributor D according to the diagram and secure with Velcro.



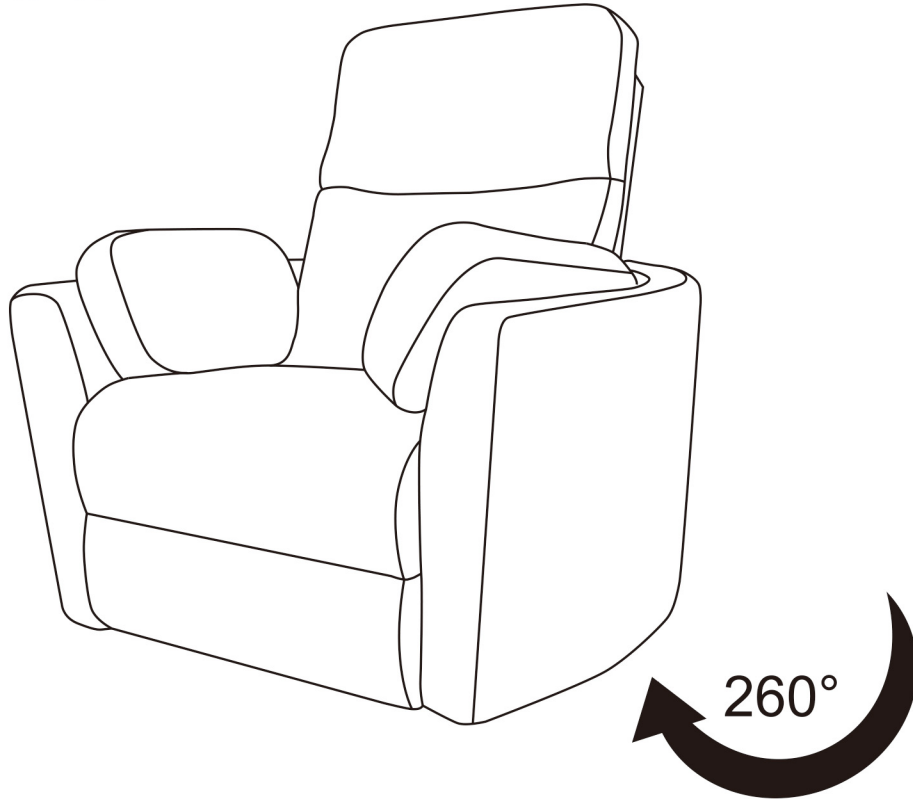
Step 6

The diagram indicates the switch for extending the chair backrest and footrest.



Step 7

Note: Rotate only up to 260°



Step 8

The diagram indicates the switch for extending the chair backrest and footrest.





Chat Support



Product Consult



Orders FAQ



Product Assembly



Returns & Refunds

PRODUCT WARRANTY DETAILS

1. If you need to return and the reason for return is a result of an error by the Seller, please contact the after-sales team. Please include a brief description of the problem and photos of the damaged product in your email.
2. Please Note: If the customer does not contact the after-sales team to provide a return label, the customer purchases the return label by themselves, which may incur expensive return shipping charges.
3. If the product is damaged by the customer, we have reason to refuse to provide a prepaid return label, and the customer will need to pay for the return shipping.
4. Boxes for return shipping will not be provided by the seller and is the customer's responsibility to either use the original shipping boxes, or purchase new boxes if no boxes.
5. After all returned items arrive at Return Center, please contact the After-sales team and we will fully refund back to the original payment method.
6. If you have any ideas and questions, please feel free to contact us, we will provide you with a satisfactory solution.

NOTE:

Manufacturer and seller expressly disclaim any liability for personal injury, property damage or loss, whether direct, indirect, or incidental, resulting from the incorrect attachment, improper use, inadequate maintenance, unapproved modification, or neglect of this product.

