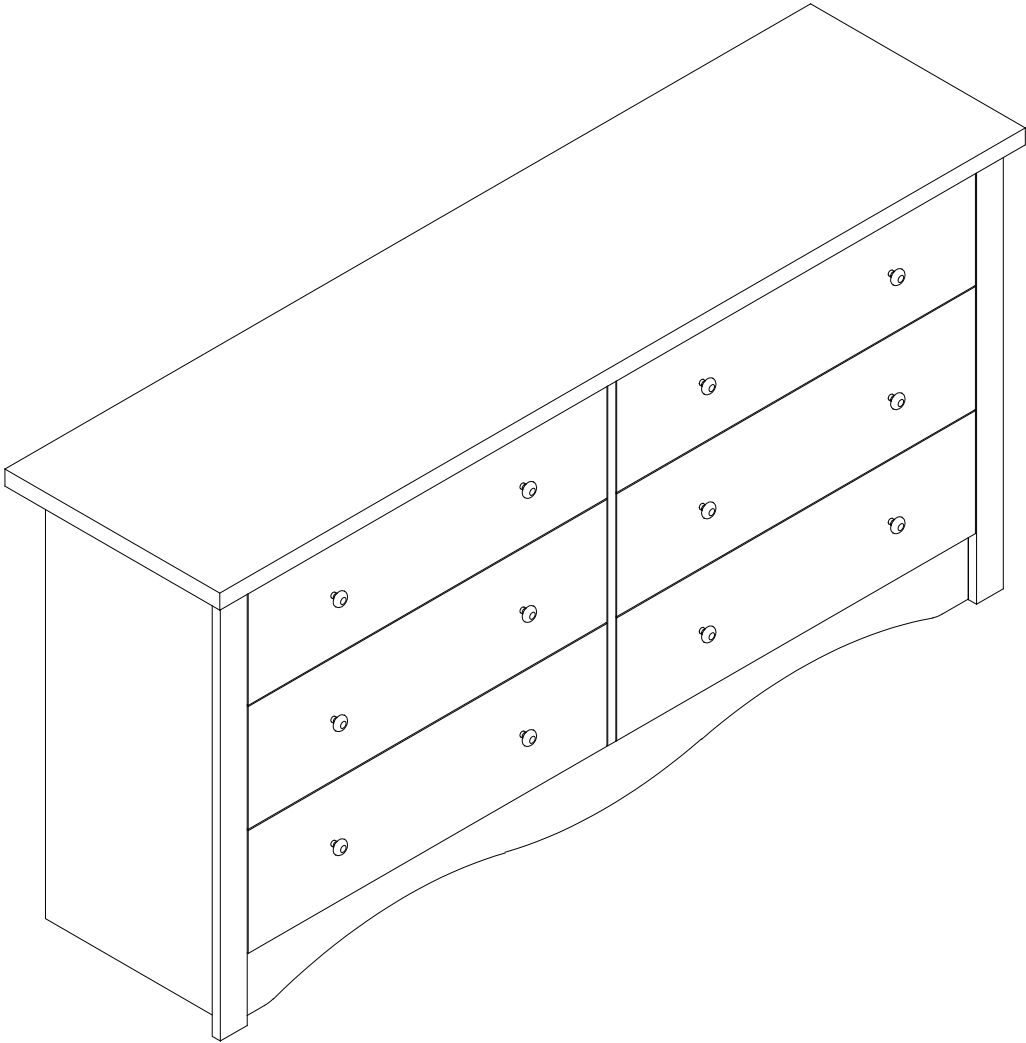
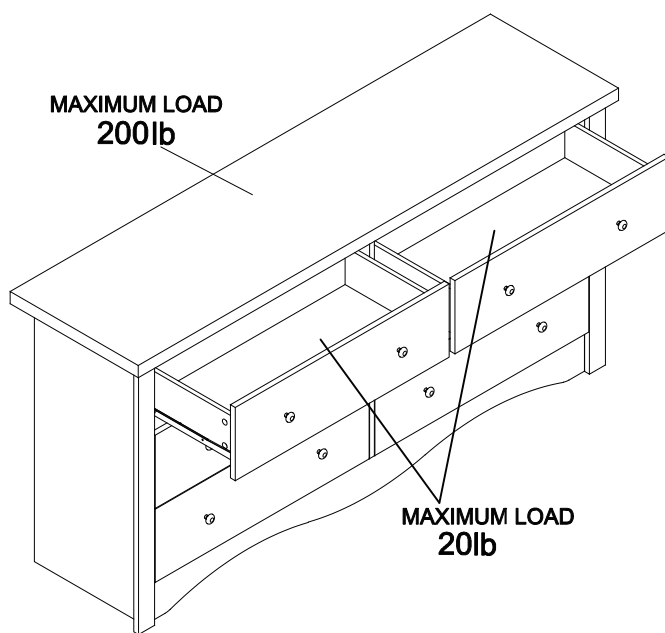
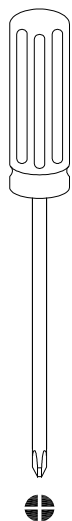


# ASSEMBLY INSTRUCTIONS

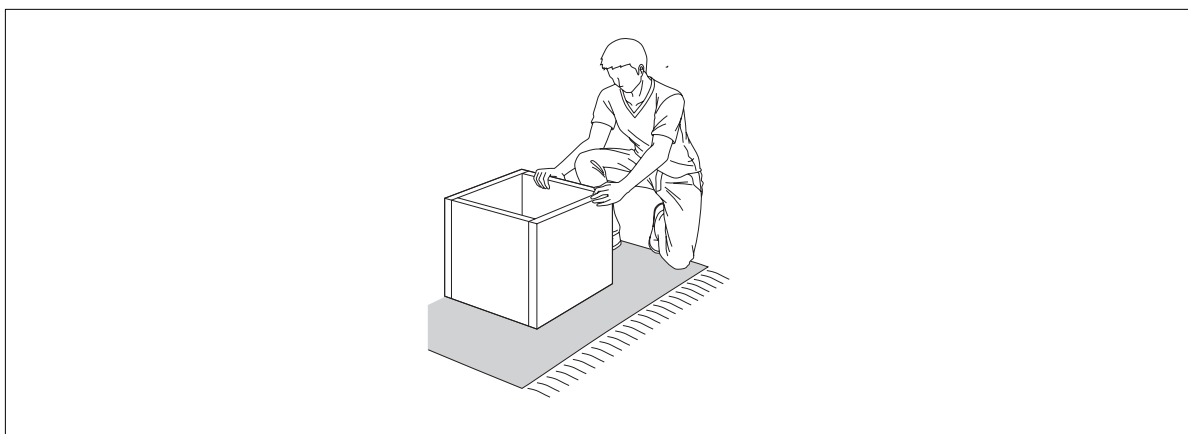


# WARNING!

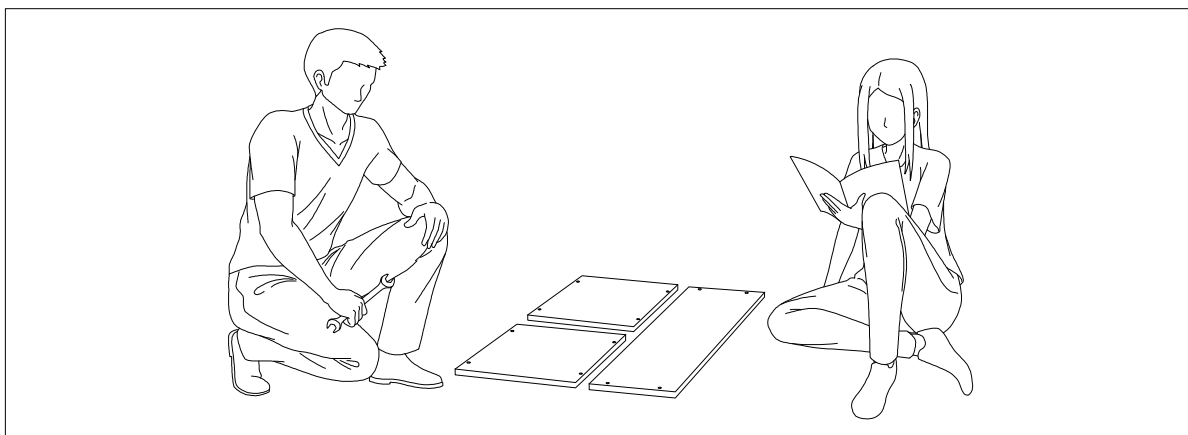


Estimated Time for Assembly

**60 mins**



**Assemble the furniture on empty carton, carpet, or rug to prevent scratches or damage.**

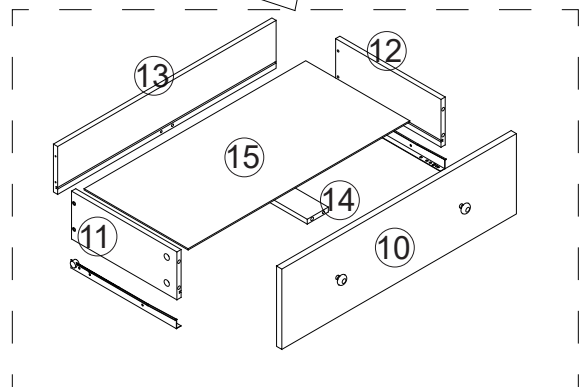
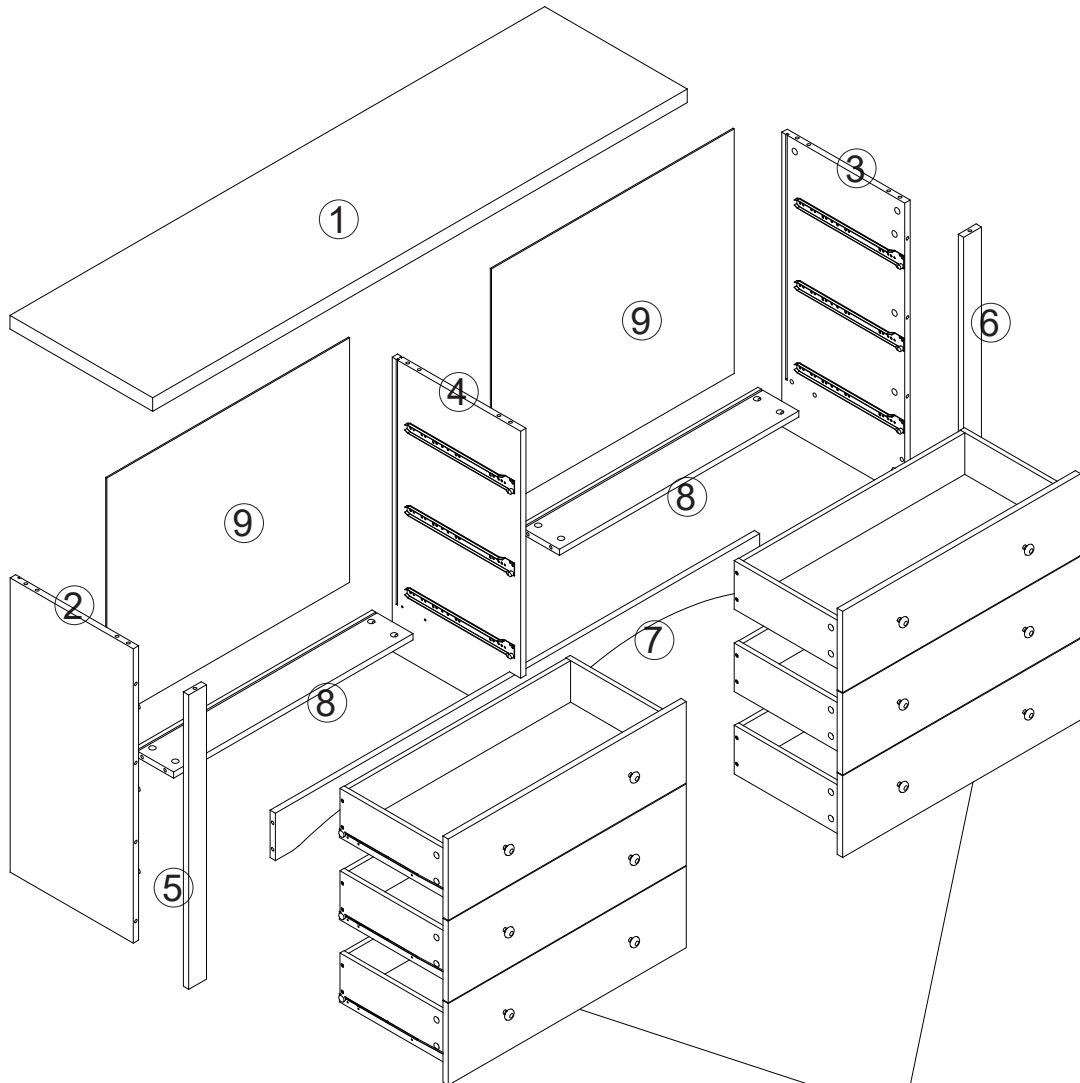


**This furniture requires 2 people to assemble.**

**Make sure no parts are missing or damaged before assemble.**

# Board Identification

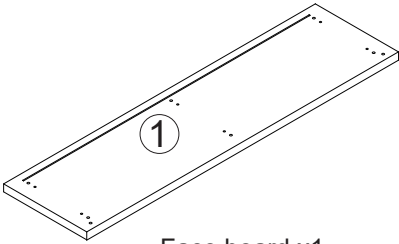
Not actual size



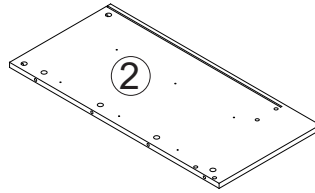
---

# Board Identification

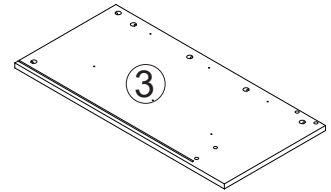
Not actual size



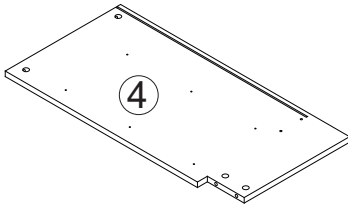
Face board x1



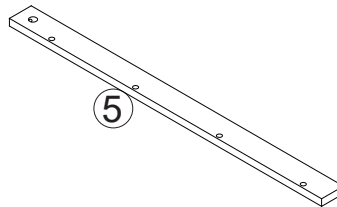
Left side board x1



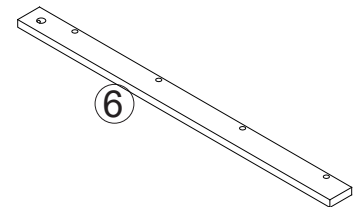
Right side board x1



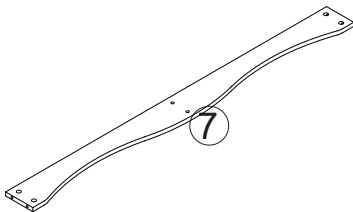
Middle side board x1



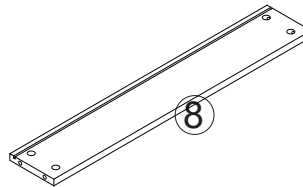
Left decorative stripx1



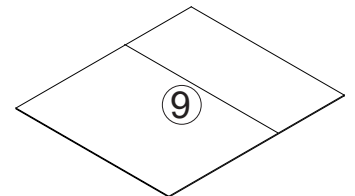
Right decorative stripx1



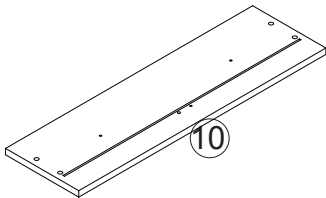
Bottom baffle board x1



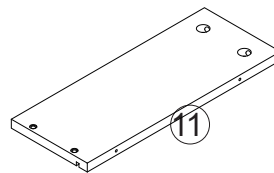
Bottom brace board x2



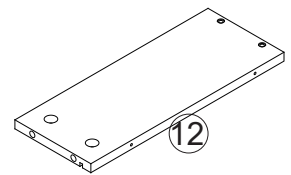
Back board x2



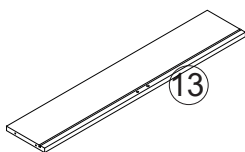
Drawer face board x6



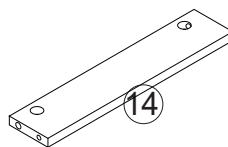
Drawer left board x6



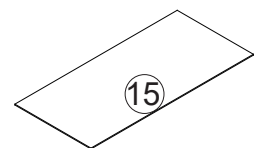
Drawer right board x6



Drawer back board x6



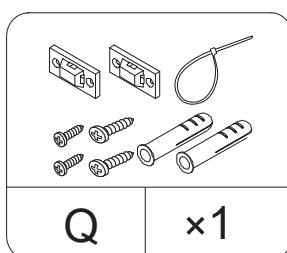
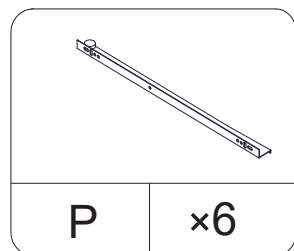
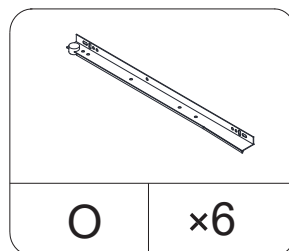
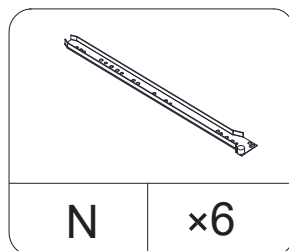
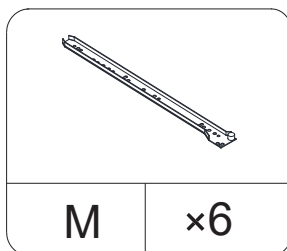
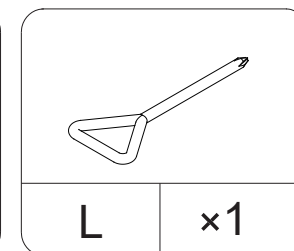
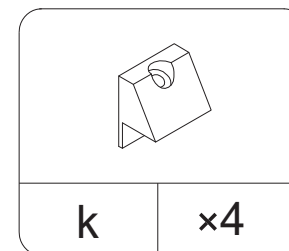
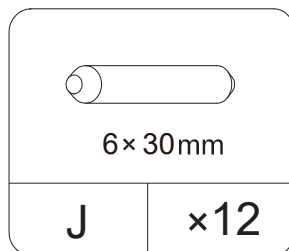
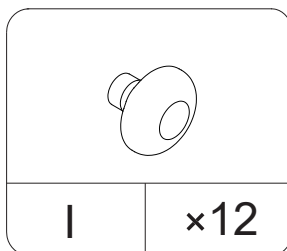
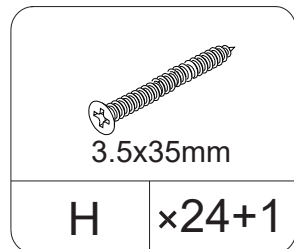
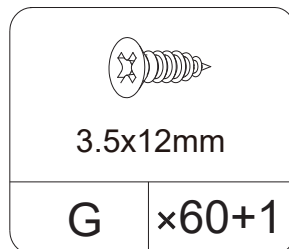
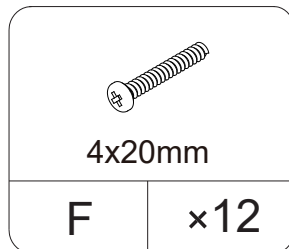
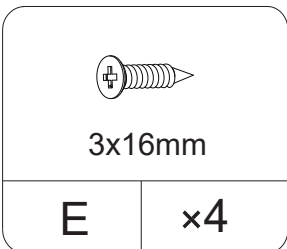
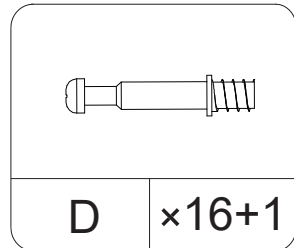
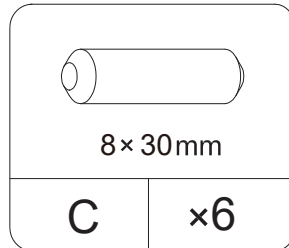
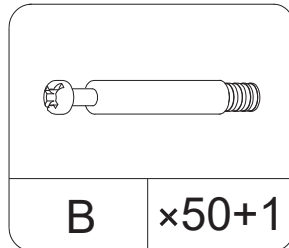
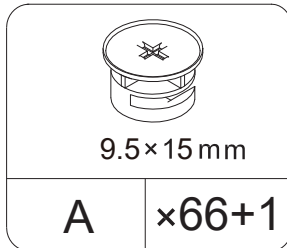
Drawer baffle board x6



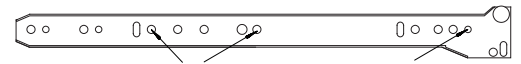
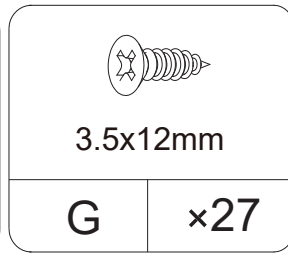
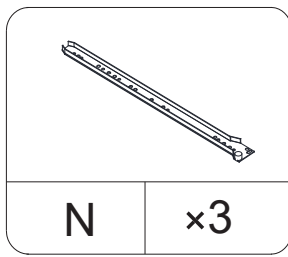
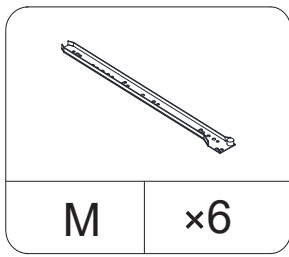
Drawer bottom board x6

---

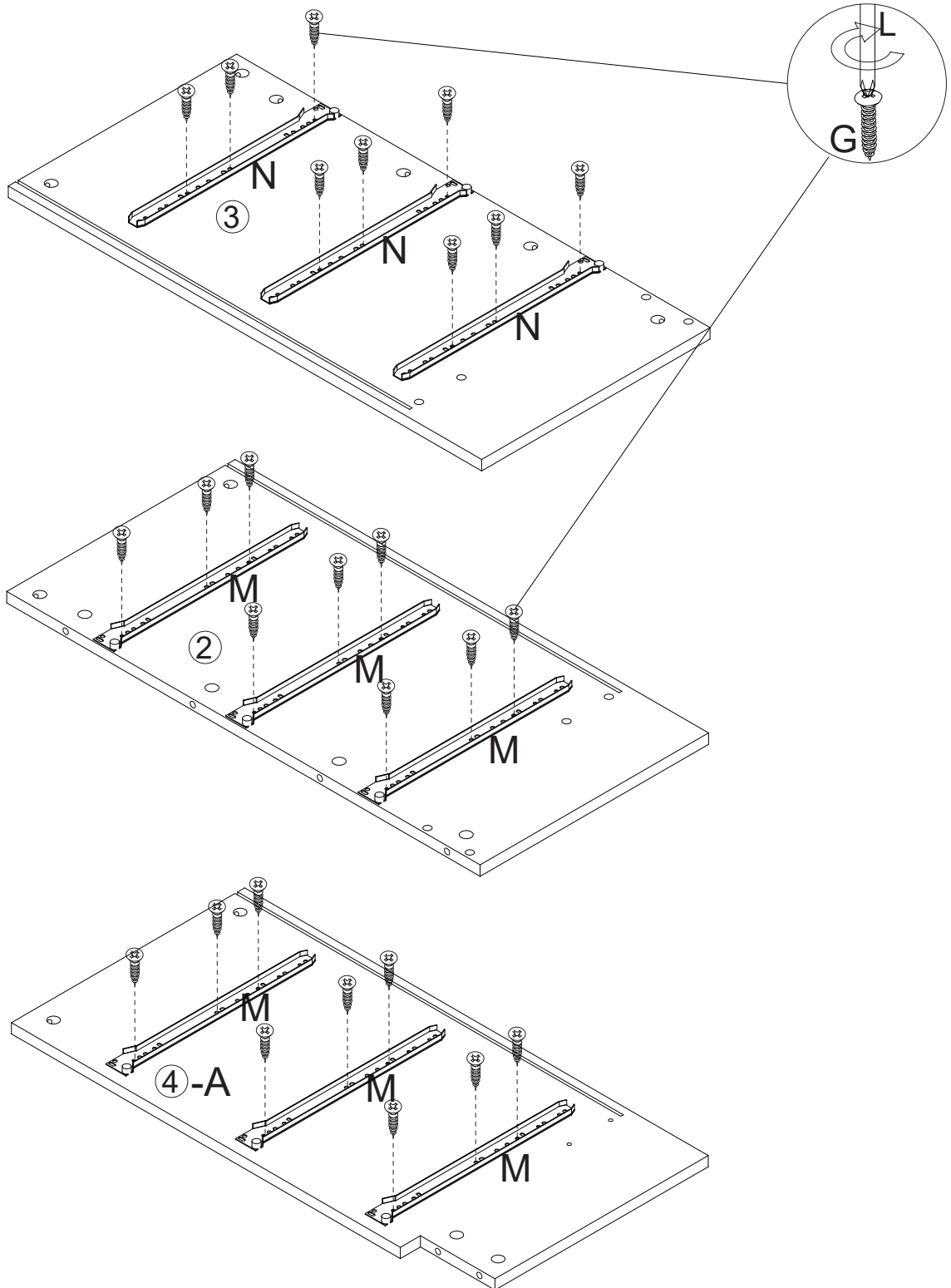
# Hardware List



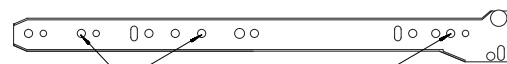
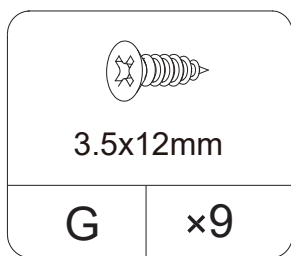
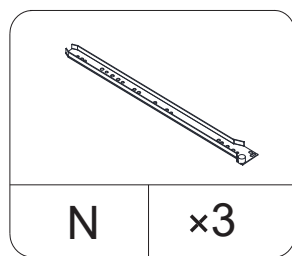
# STEP 1



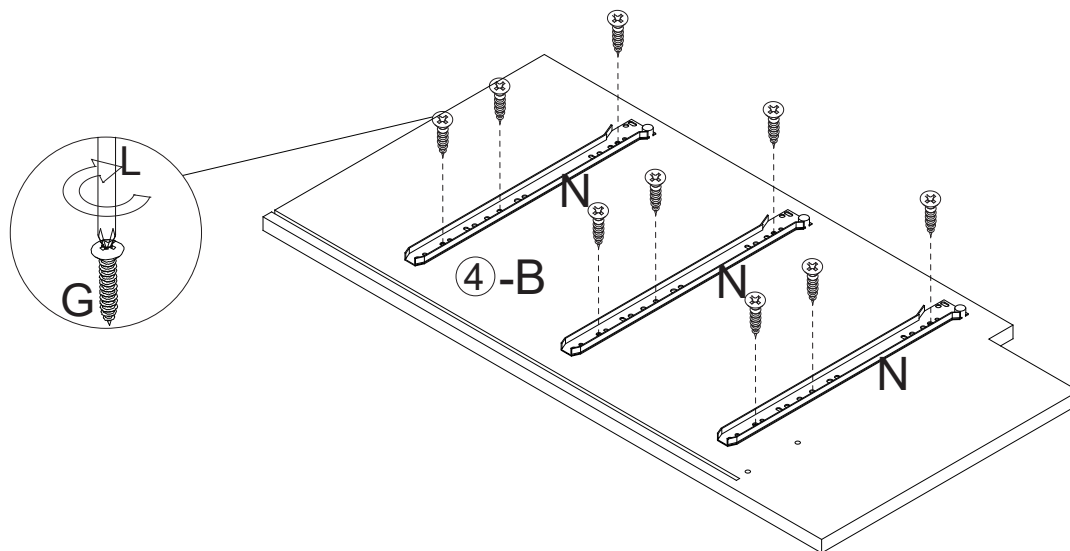
Assemble the screw into the hole  
Mark with arrows



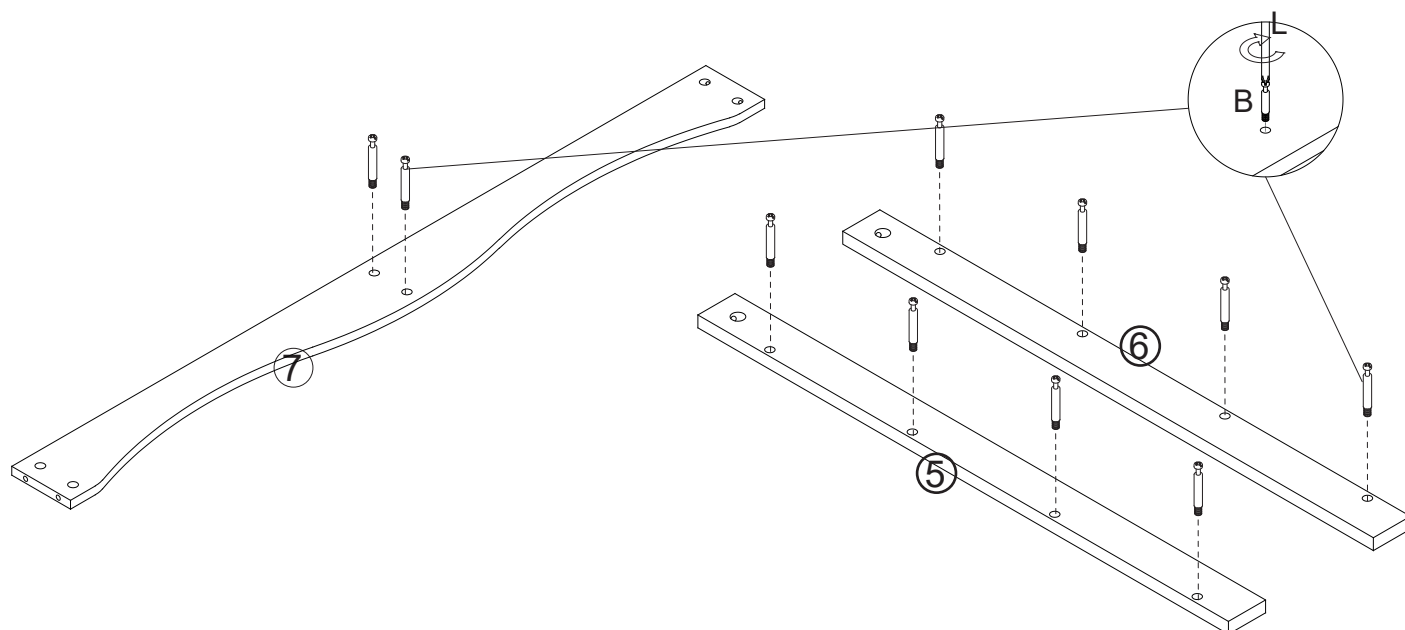
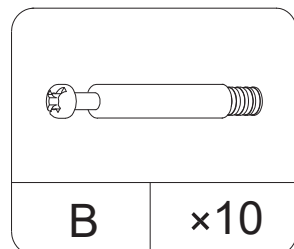
## STEP 2



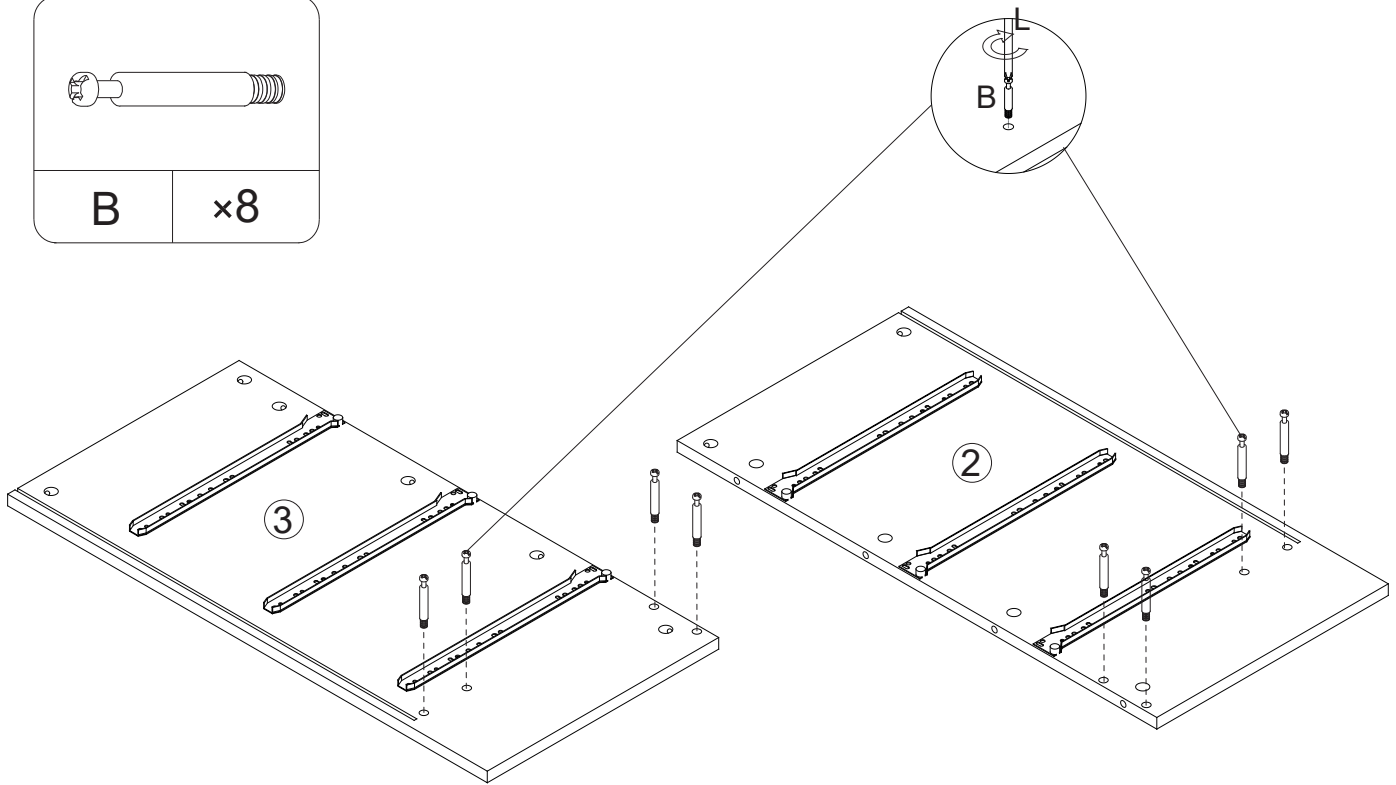
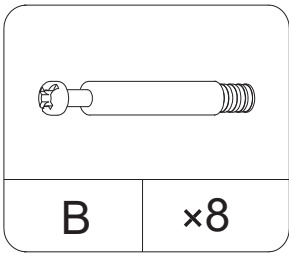
Assemble the screw into the hole  
Mark with arrows



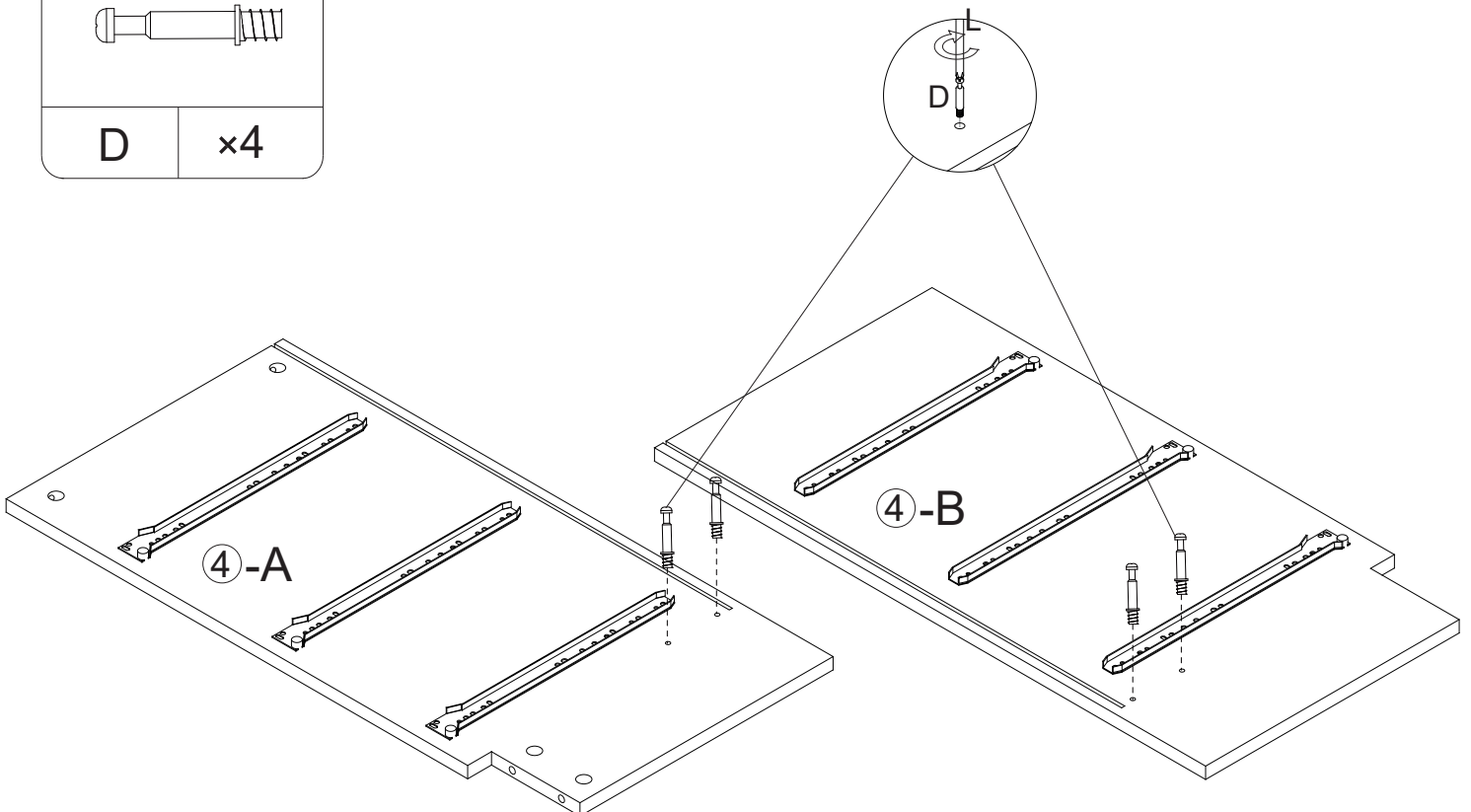
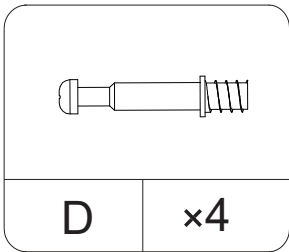
## STEP 3



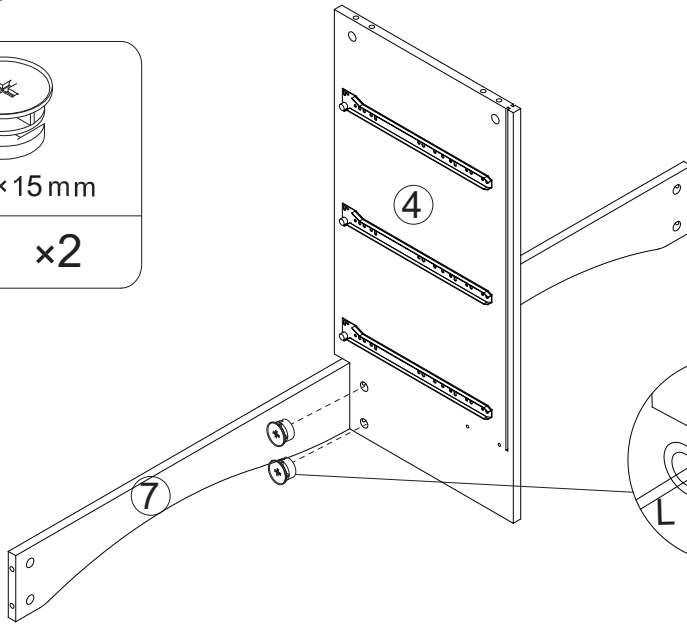
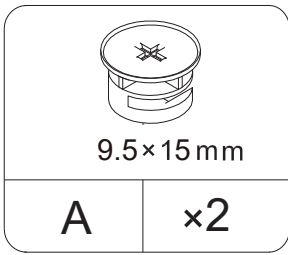
## STEP 4



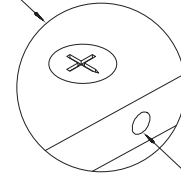
## STEP 5



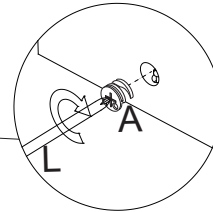
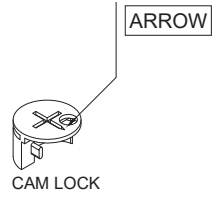
## STEP 6



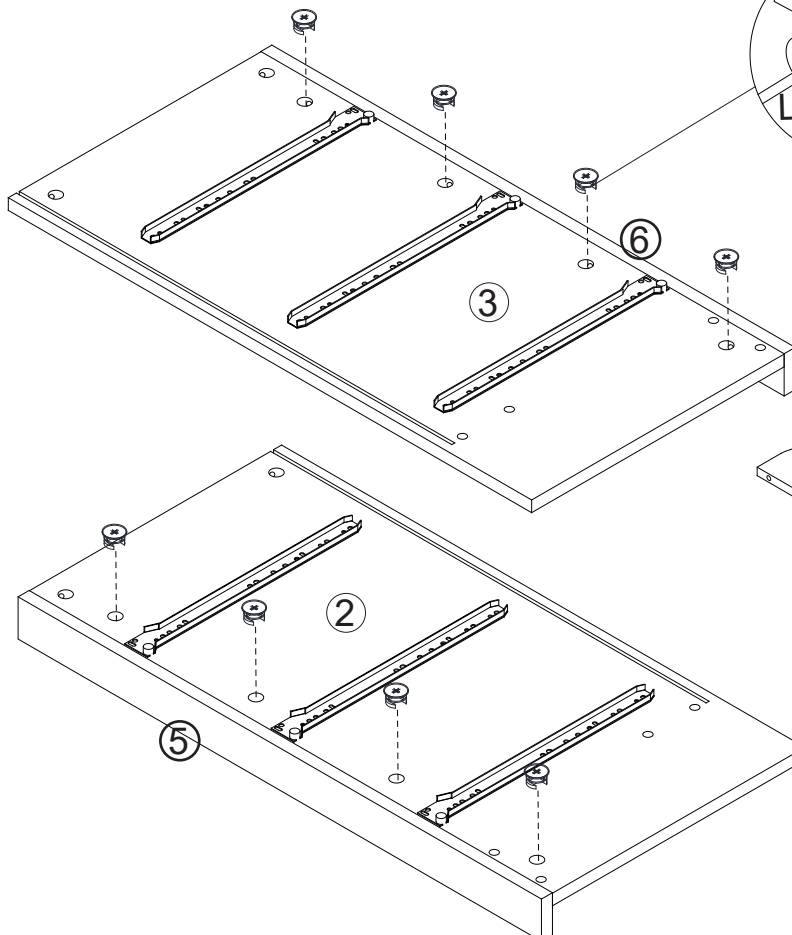
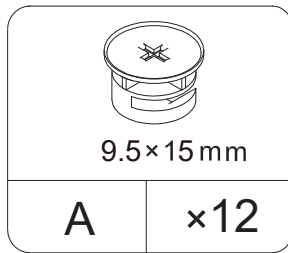
Push a CAM LOCK into the part  
The arrow in the CAM LOCK  
must point toward the hole on the  
edge of the board



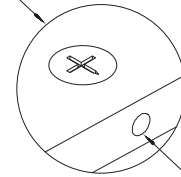
HOLE



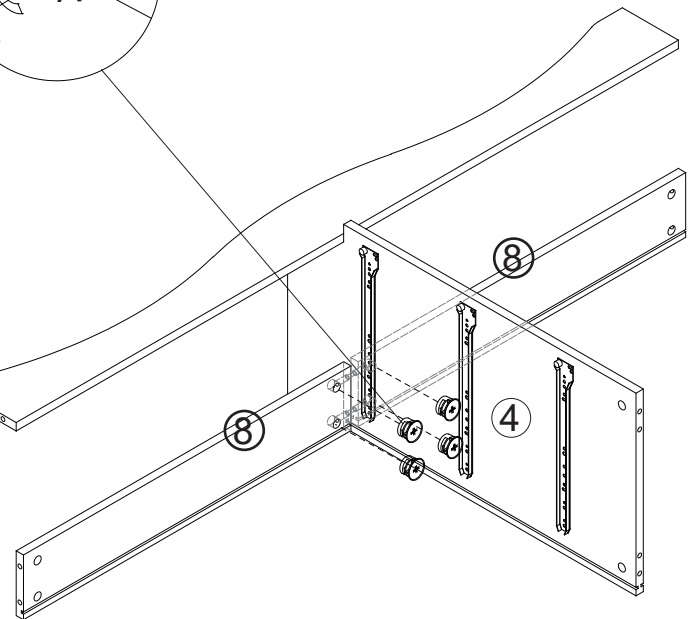
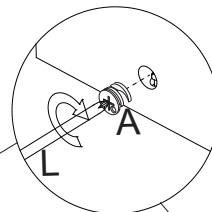
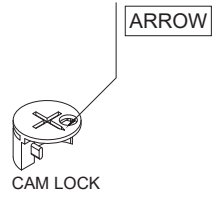
## STEP 7



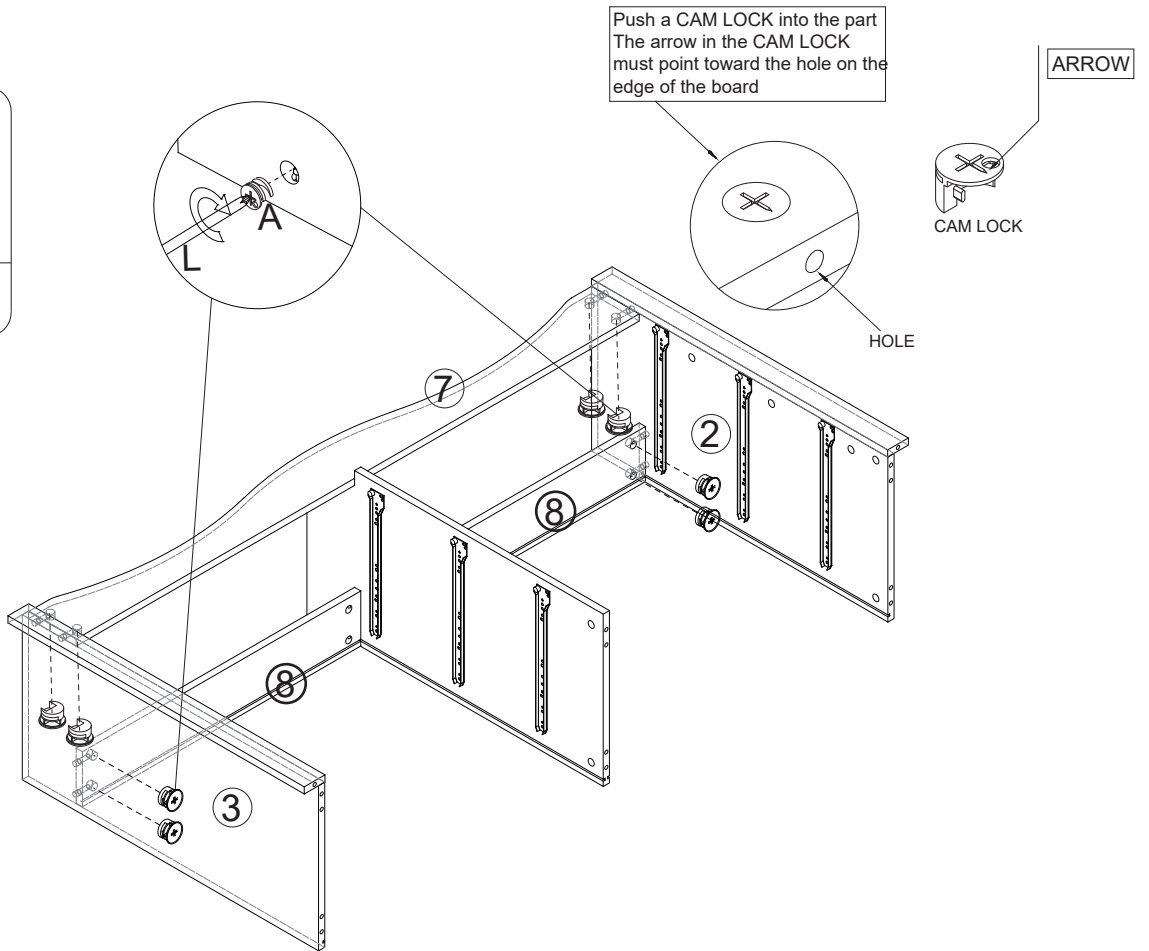
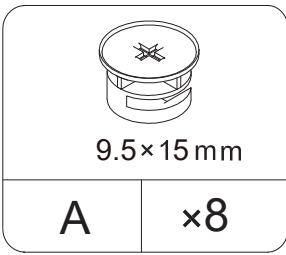
Push a CAM LOCK into the part  
The arrow in the CAM LOCK  
must point toward the hole on the  
edge of the board



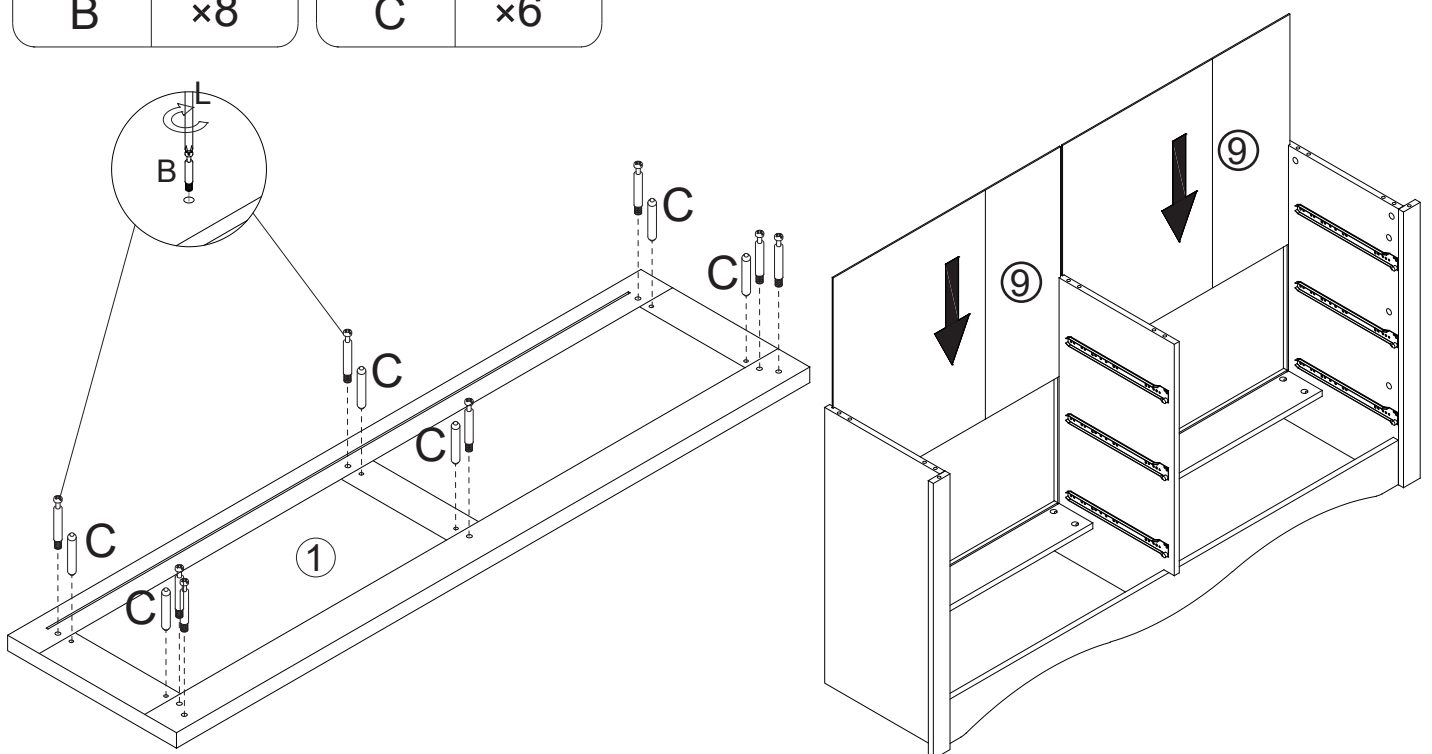
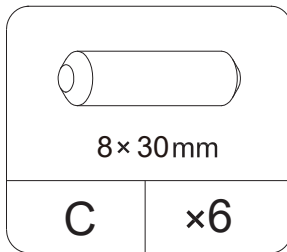
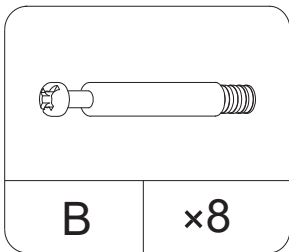
HOLE



## STEP 8



## STEP 9




# STEP 10

Push a CAM LOCK into the part  
The arrow in the CAM LOCK  
must point toward the hole on the  
edge of the board

ARROW

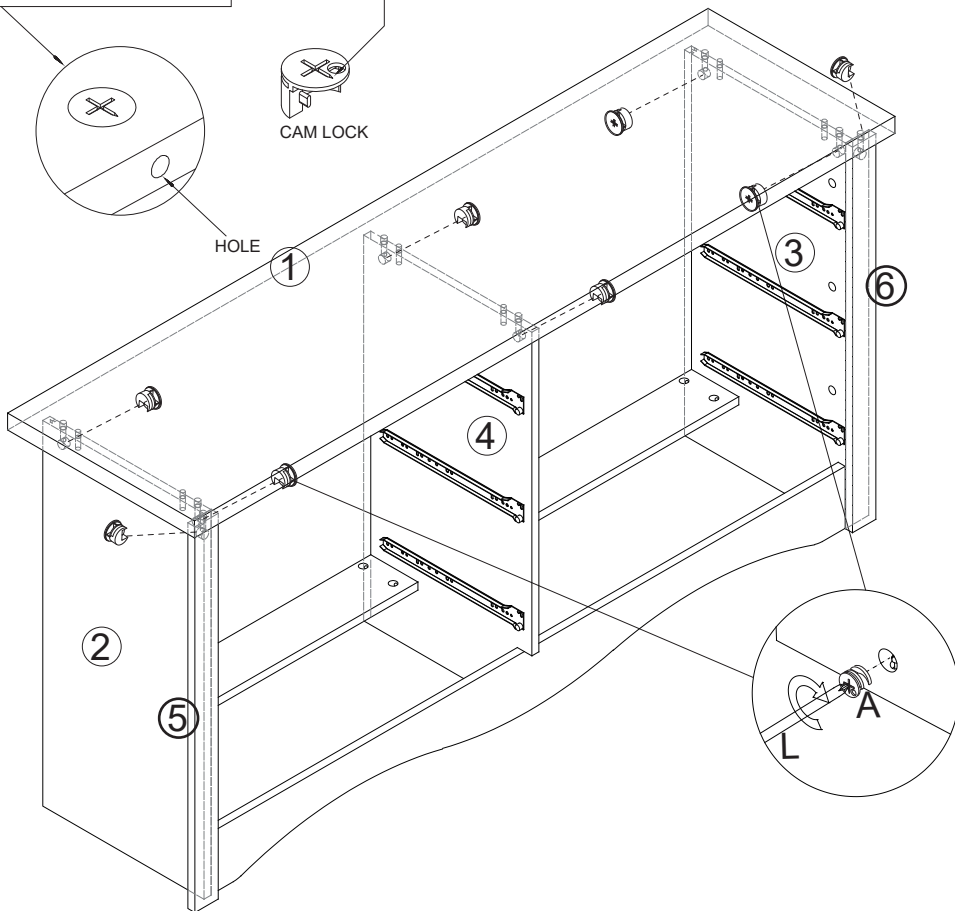
CAM LOCK

HOLE

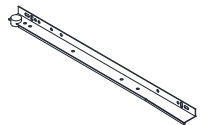


9.5x15 mm

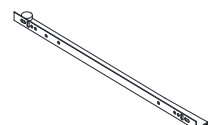
A	x8
---	----



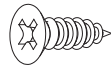
# STEP 11



O	x6
---	----



P	x6
---	----

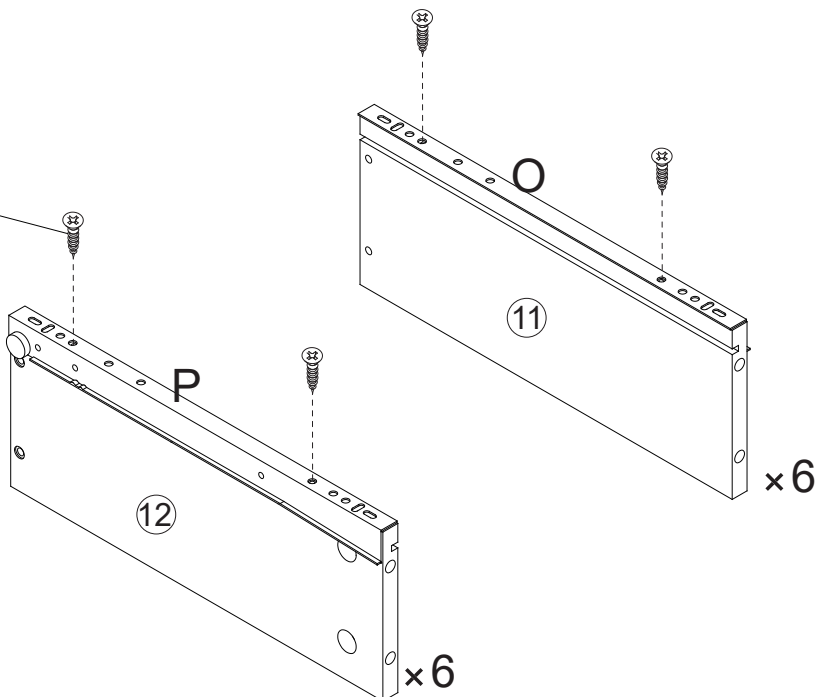
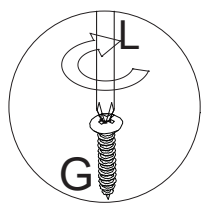


3.5x12mm

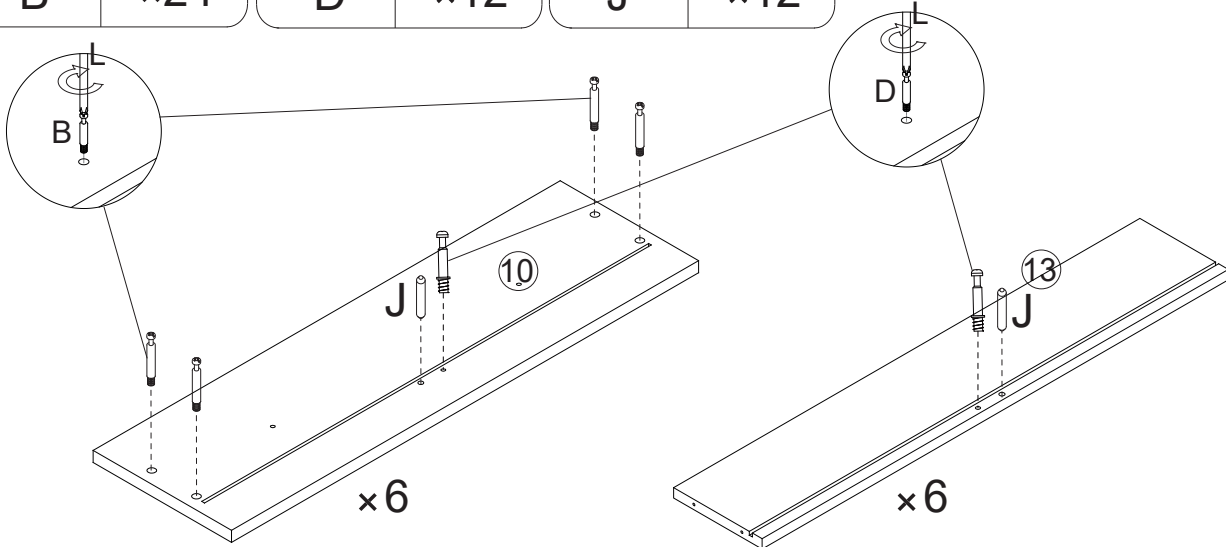
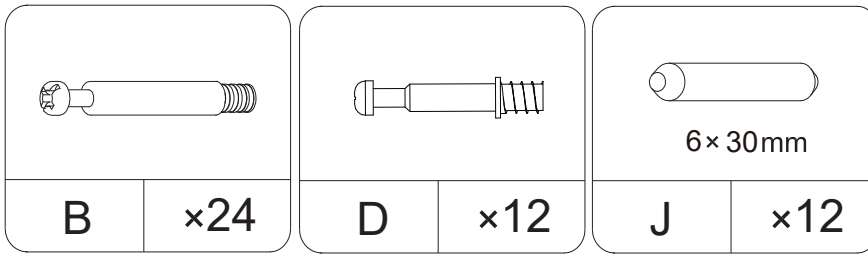
G	x24
---	-----



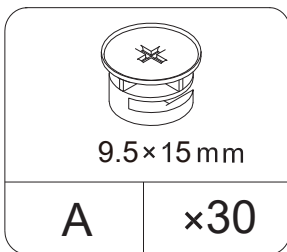
Assemble the screw into the hole  
Mark with arrows



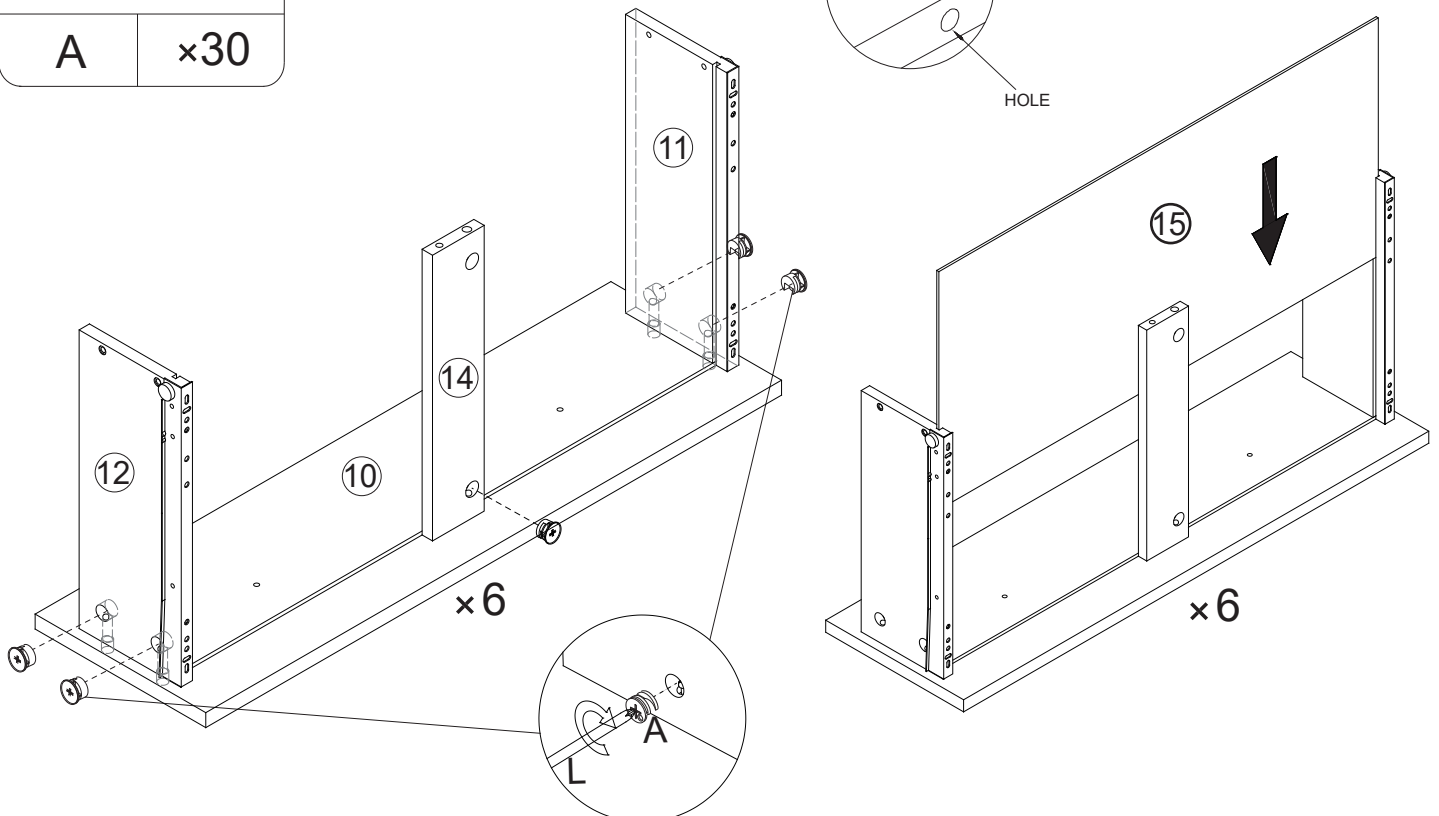
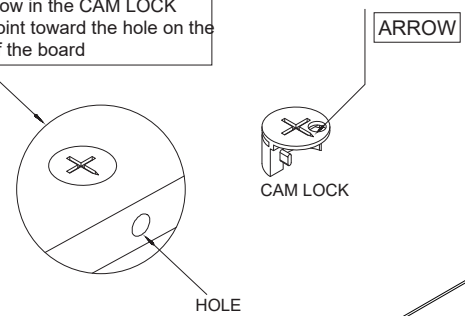
## STEP 12



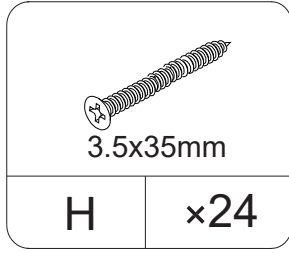
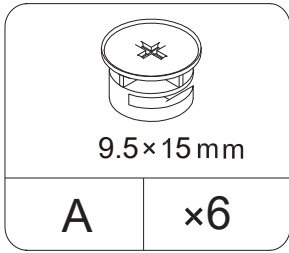
## STEP 13



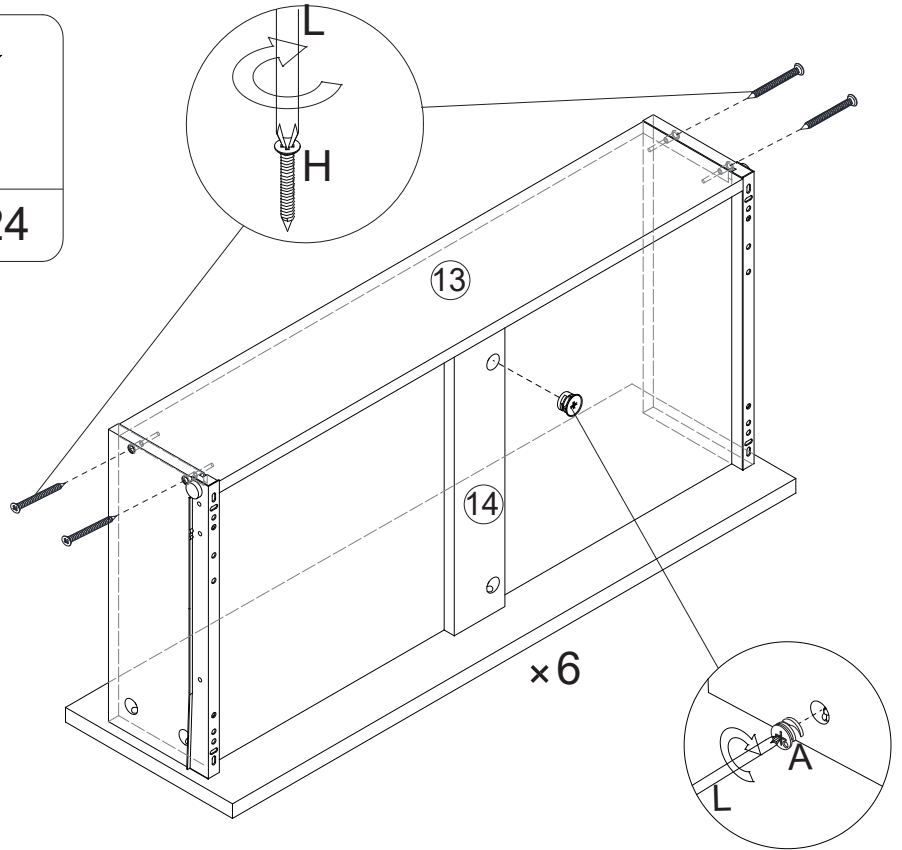
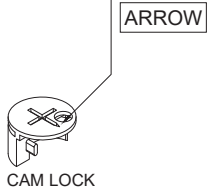
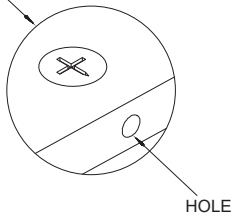
Push a CAM LOCK into the part  
The arrow in the CAM LOCK  
must point toward the hole on the  
edge of the board



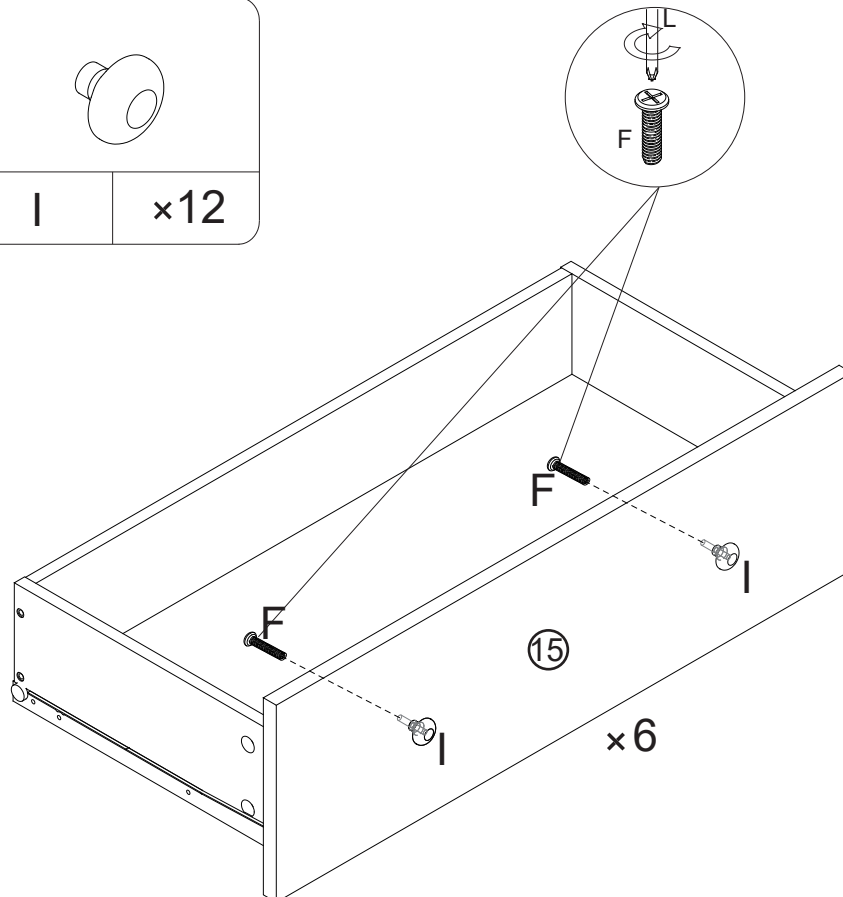
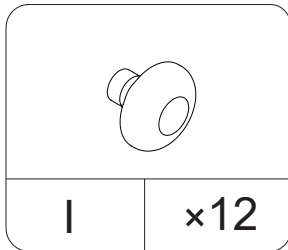
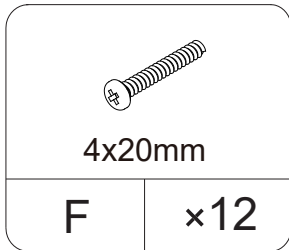
## STEP 14



Push a CAM LOCK into the part  
The arrow in the CAM LOCK  
must point toward the hole on the  
edge of the board

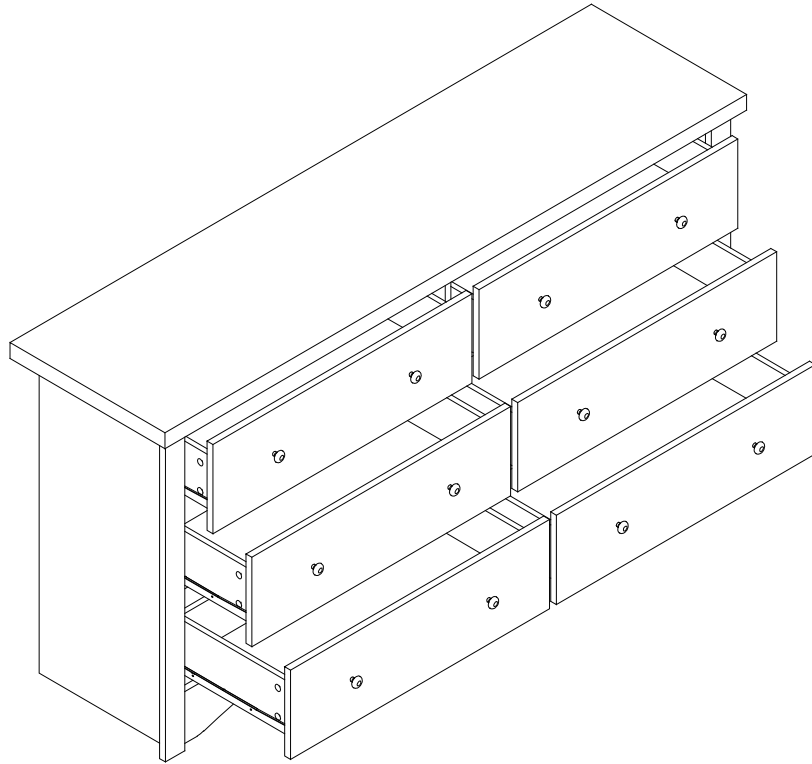


## STEP 15

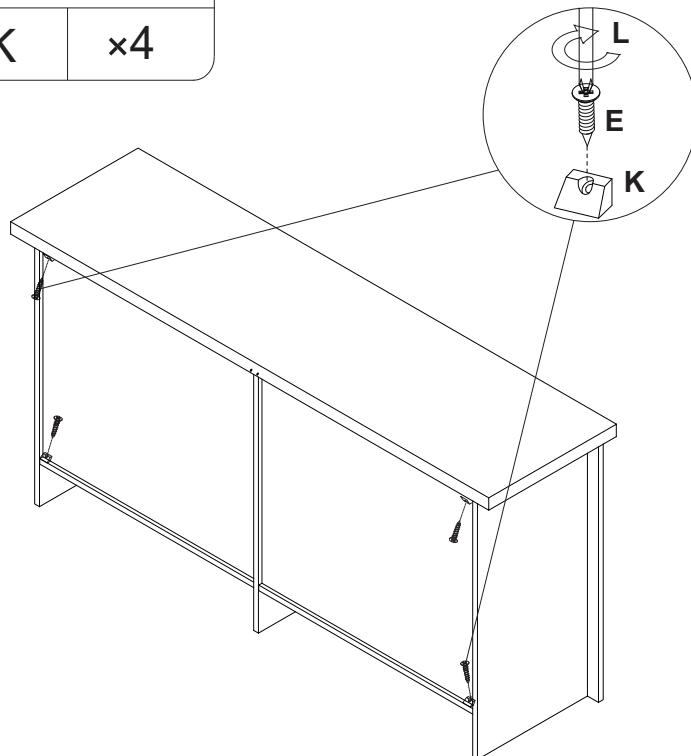
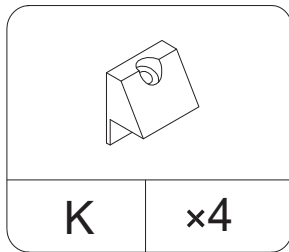
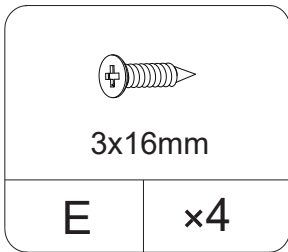


---

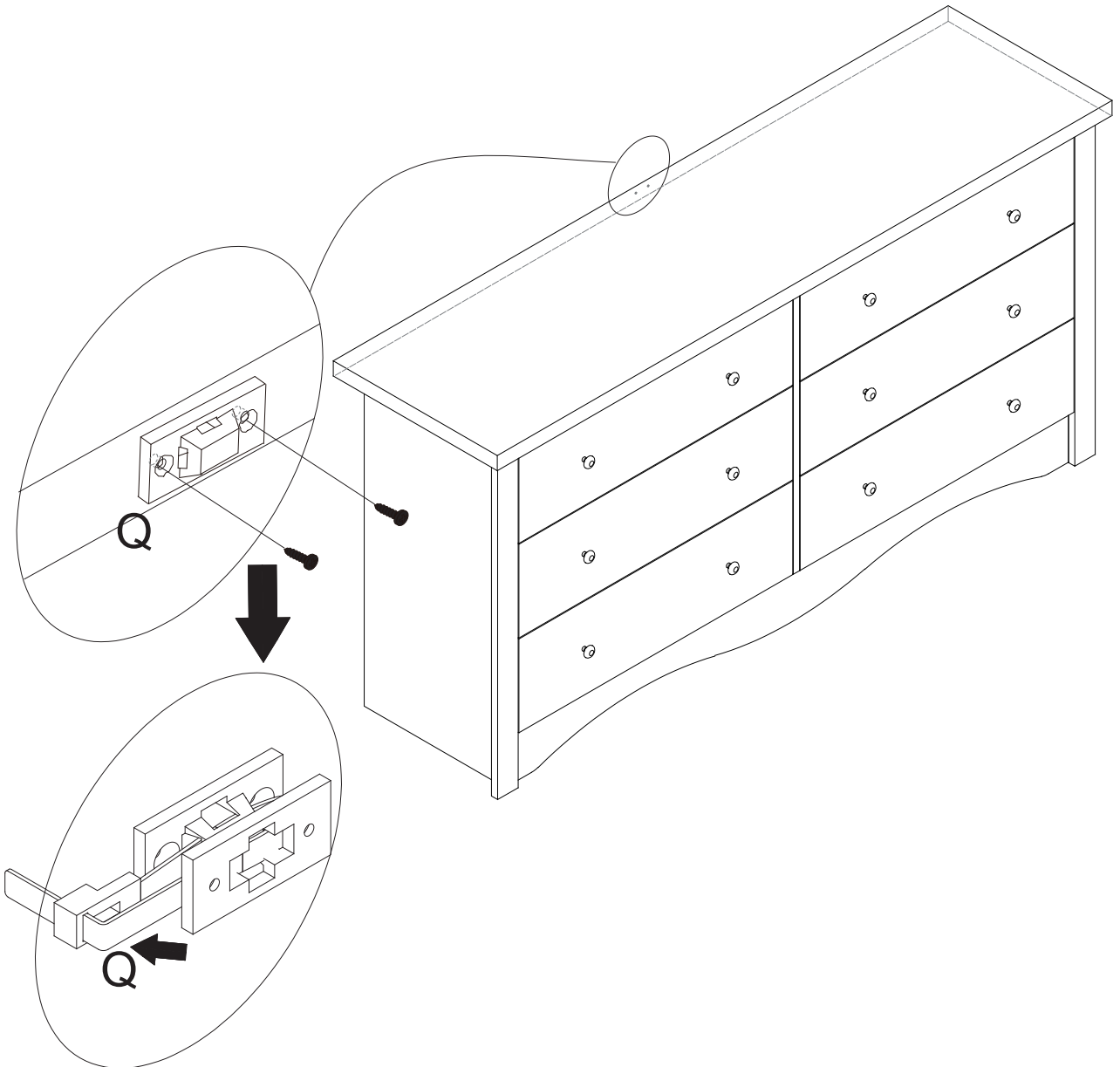
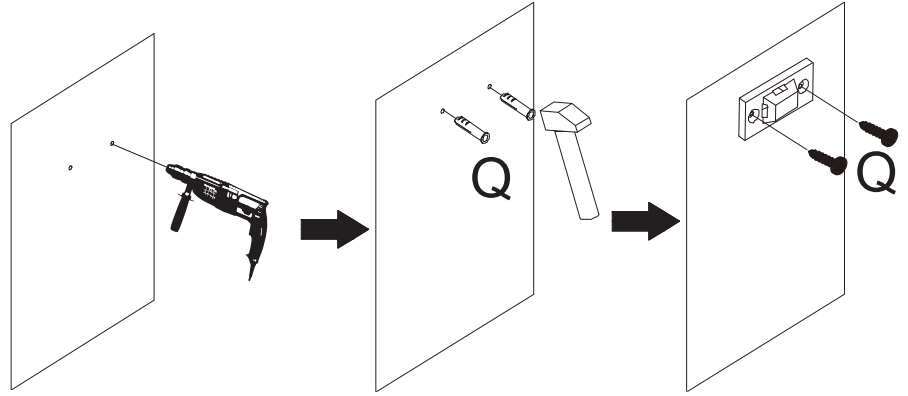
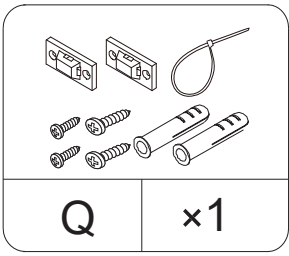
## STEP 16



## STEP 17



# STEP 18



---

# FURNITURE CARE AND MAINTENANCE

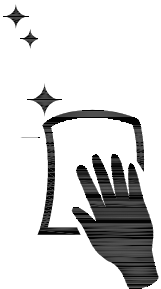
## Particleboard

**Thank you for your purchase. We want your item to last as long as possible. To ensure the product gives you years of service, please refer to this care and maintenance guide.**



### MAINTENANCE

- **Tighten all bolts and screws again within the first 2 weeks of assembly**
- **Check the tightness of all bolts every 2 months, tighten them if necessary**



### CLEANING

- **Clean the surface of the PB(Particleboard) with a lightly dampened cloth.**
- **Small amount of mild soap can be used if necessary**
- **Dry the surface immediately after cleaning.**

- ⚠ **DO NOT use bleach or alcohol detergent to clean the surface.**
- ⚠ **DO NOT apply wood treatment on parts made with PB.**

**Particleboard will swell and distort when suffer .  
Make sure to dry the furniture immediately after cleaning**