



**INSTRUCTIONS D'ASSEMBLAGE  
ASSEMBLY INSTRUCTIONS**

---

---

**LUMINAIRE -  
67"H LAMPE SUR PIED LAITON METAL/BEIGE/USB**

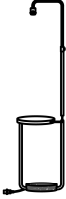
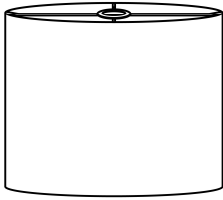

**LIGHTING -  
67"H FLOOR LAMP BRASS METAL / BEIGE / USB**



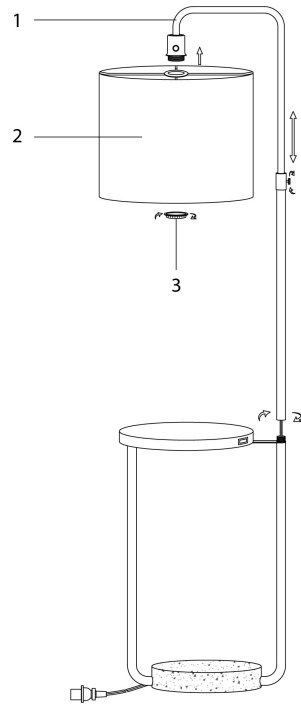
**POUR DE L'ASSISTANCE OU POUR COMMANDER  
DES PIÈCES CONTACTEZ NOTRE DÉPARTEMENT  
DE SERVICE À LA CLIENTÈLE.**

**FOR ASSISTANCE OR TO ORDER PARTS  
CONTACT OUR CUSTOMER SERVICE DEPARTMENT**

**LISTE DES PIÈCES**  
**PARTS LIST**

PIÈCE / PART #	IMAGE	DESCRIPTION	QTY / QTÉ
1	 A line drawing of a lamp base, consisting of a vertical rod with a hook at the top and a small cylindrical base at the bottom.	LAMP BASE SOCLE DE LAMPE	1
2	 A line drawing of a cylindrical lamp shade with a flat top and a slightly flared bottom edge.	SHADE ABAT-JOUR	1
3	 A line drawing of a shallow, circular socket ring with a flared rim and a textured bottom surface.	SOCKET RING ANNEAU	1

**ÉTAPE / STEP 1**



ÉTAPE / STEP 2

