

ASSEMBLY INSTRUCTIONS

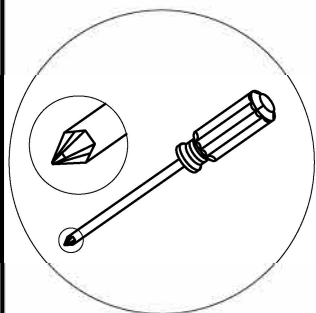
ACACIA CONSOLE TABLE W/ BOTTOM SHELF

Place all wooden parts onto a clean and smooth surface such as a rug or carpet to avoid the parts from being scratched and please follow the assembly instructions step by step.

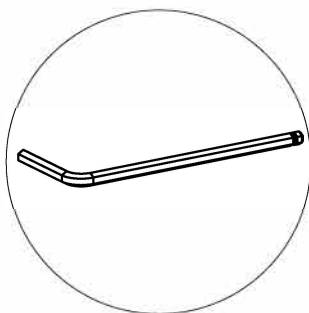


USE THE OUTER CARTON AS A WORK SURFACE TO PREVENT PRODUCT DAMAGE DURING ASSEMBLY.

TOOLS NEEDED



Long neck Phillips or Flat head screwdriver, not included.



Allen wrench provided in the enclosed hardware package.

CLEANING & CARE

Clean dust using a lint free cloth.
Clean the surface using a damp cloth and mild dish washing liquid if necessary.
DO NOT use any cleaning product containing alcohol or ammonia.
We recommend that you test all cleaning solutions on the underside or any surface that would not be seen during normal use of the product.

Safety

Adult assembly is required. Follow assembly instructions. For safety, please follow the instructions .

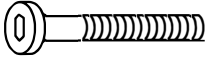

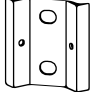









WARNING: Keep plastic bags and small parts away from children.



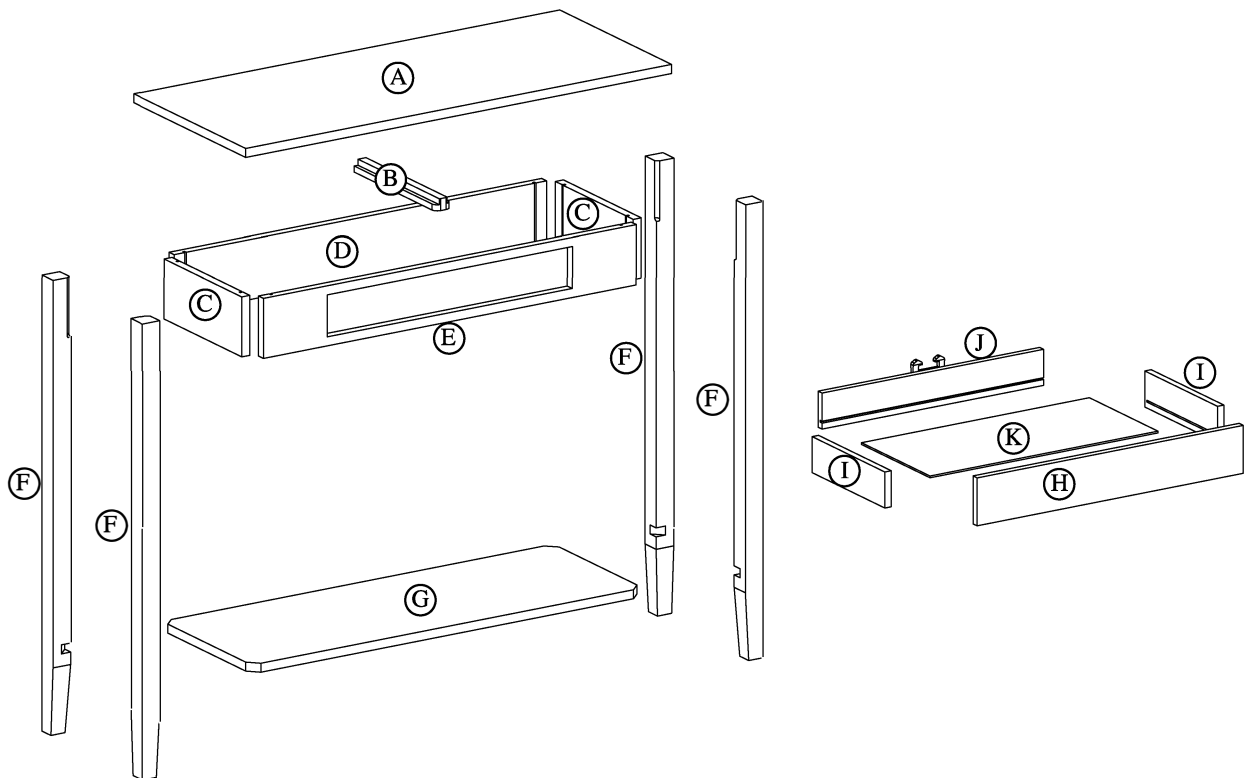
WARNING: Safely discard all packing material.

HARDWARE LIST

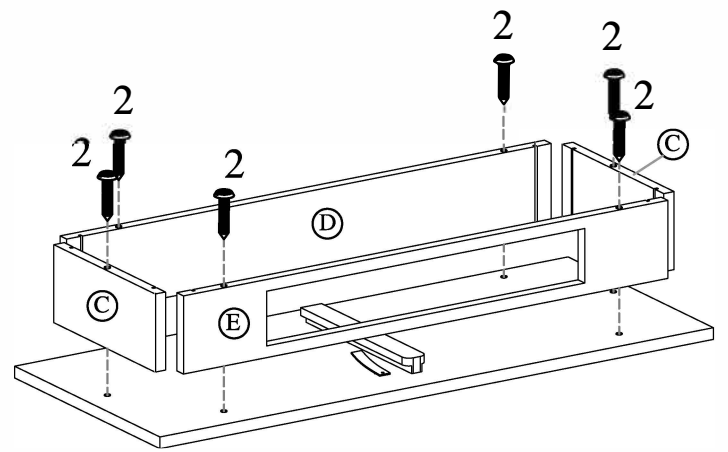
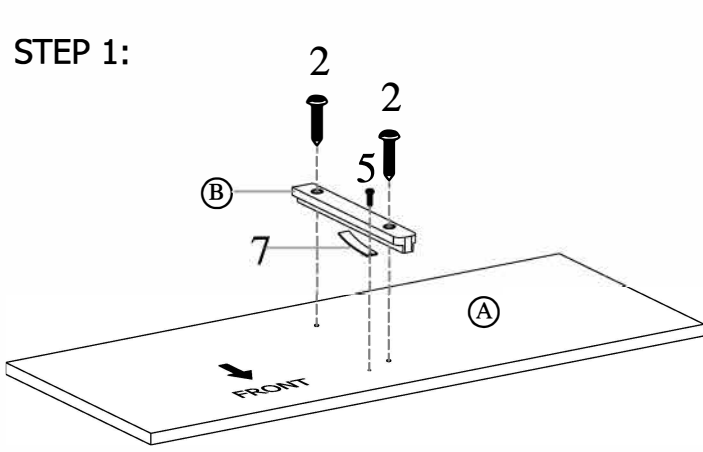
NO	SKETCH	DESCRIPTION	QTY
1		bolt	8
2		round head screw -20 mm	12
3		metal bracket	4
4		flat washer	8
5		flat head screw - 12 mm	9
6		flat head screw - 20 mm	8
7		plastic stopper	1
8		knob	1
9		bolt for knob	1
10		allen wrench	1

PARTS LIST

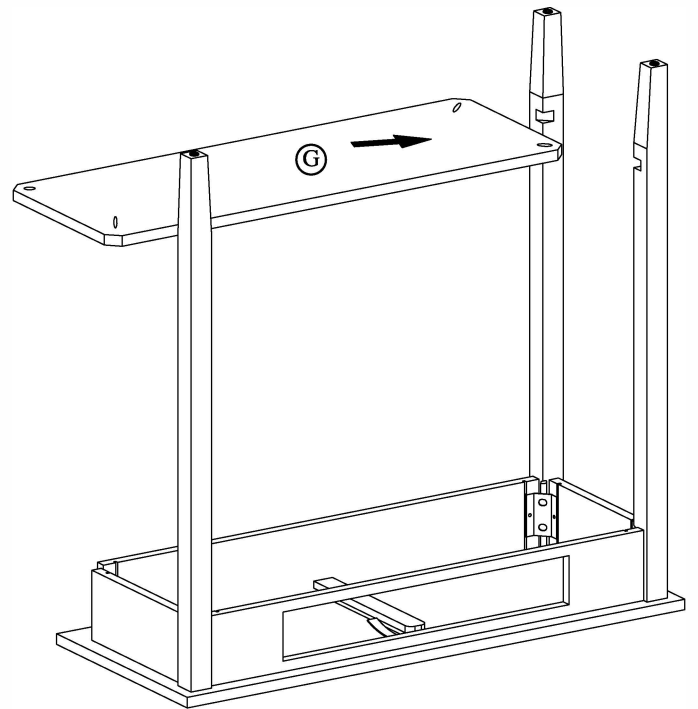
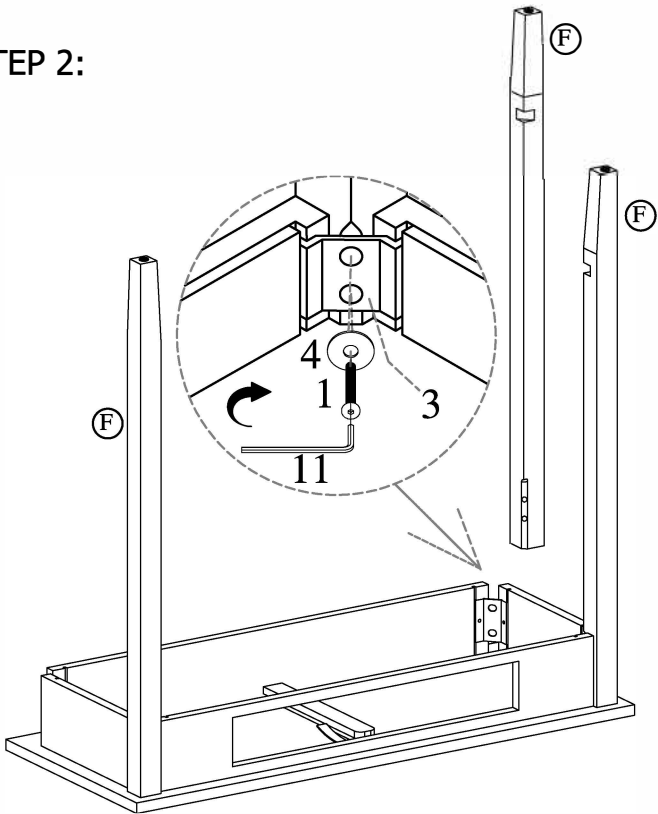
ITEM	DESCRIPTION	QTY
A	top	1
B	slide crossbar	1
C	side apron	2
D	back apron	1
E	front apron	1
F	legs	4
G	bottom panel	1
H	drawer front	1
I	drawer side	2
J	drawer back	1
K	drawer bottom	1



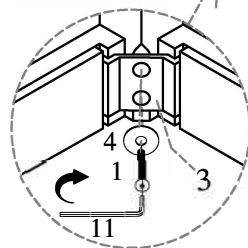
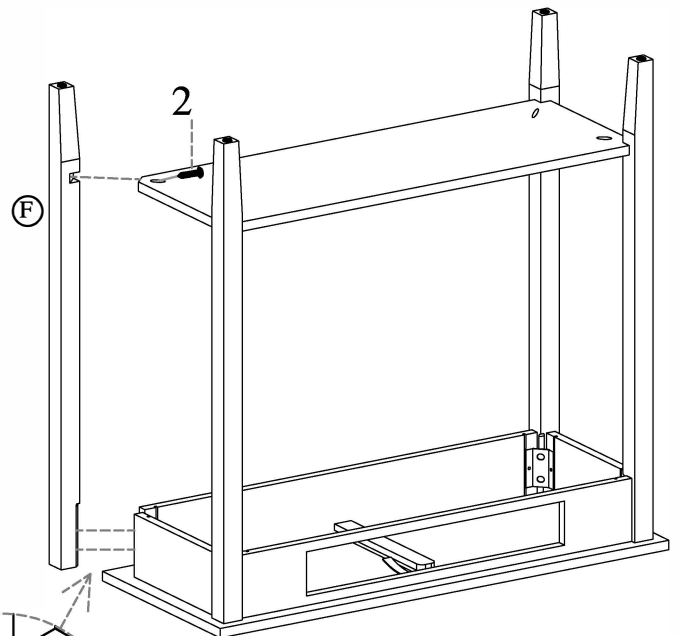
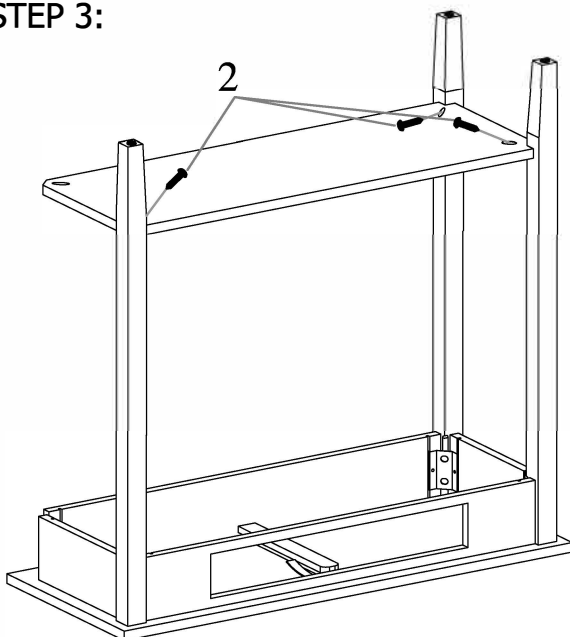
STEP 1:



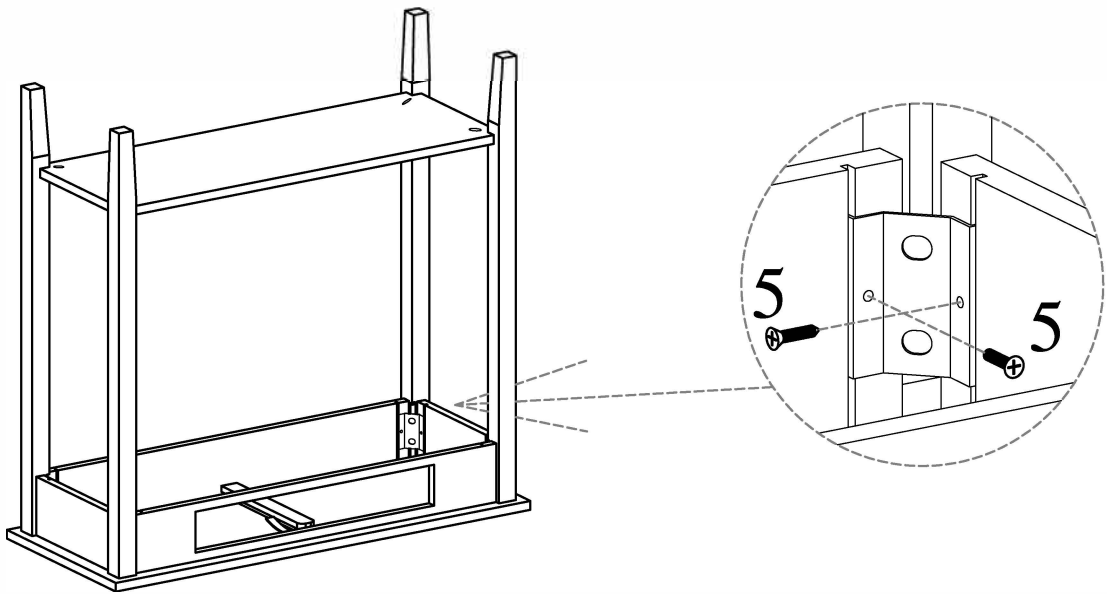
STEP 2:



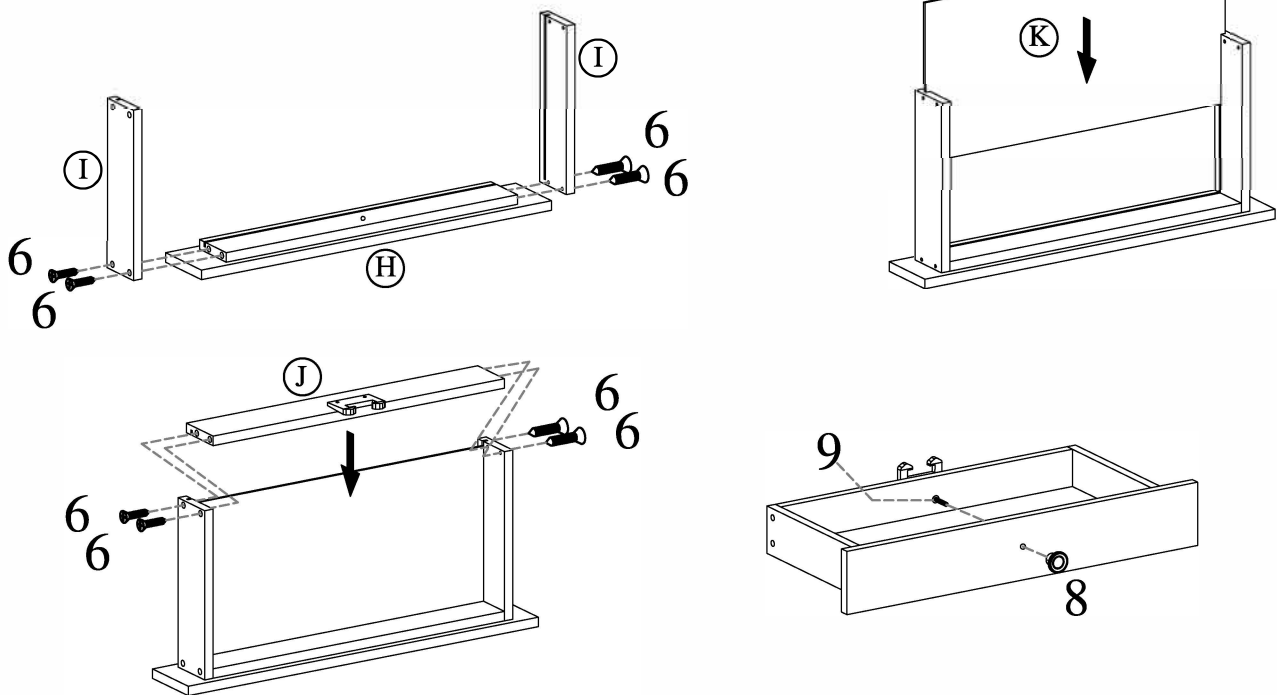
STEP 3:



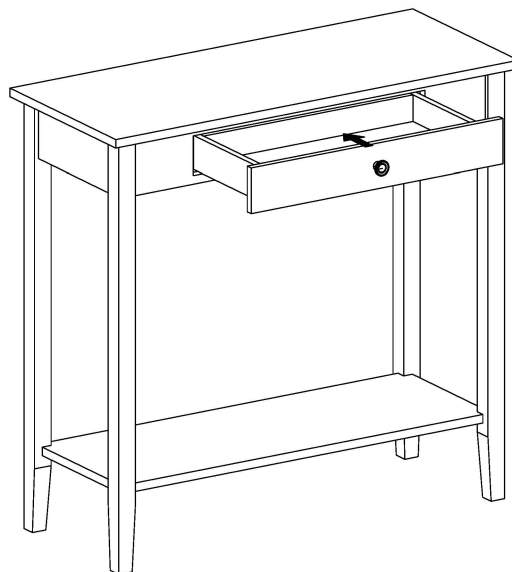
STEP 4:



STEP 5:



STEP 6:



Tip the rear of the drawer down allowing the Nylon Drawer Glide bracket room to go up and through the drawer opening of the front apron and then insert over the drawer glide.