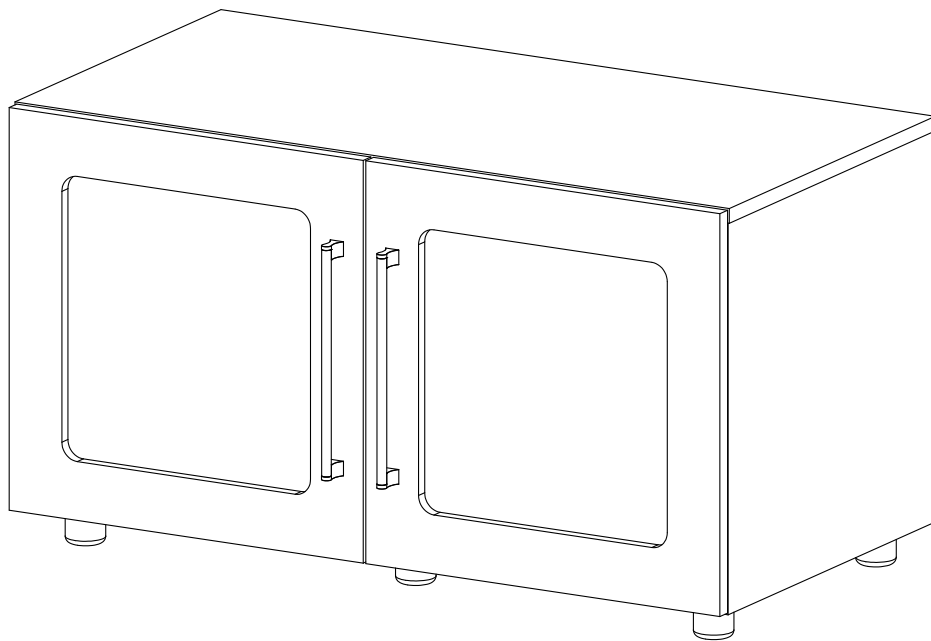
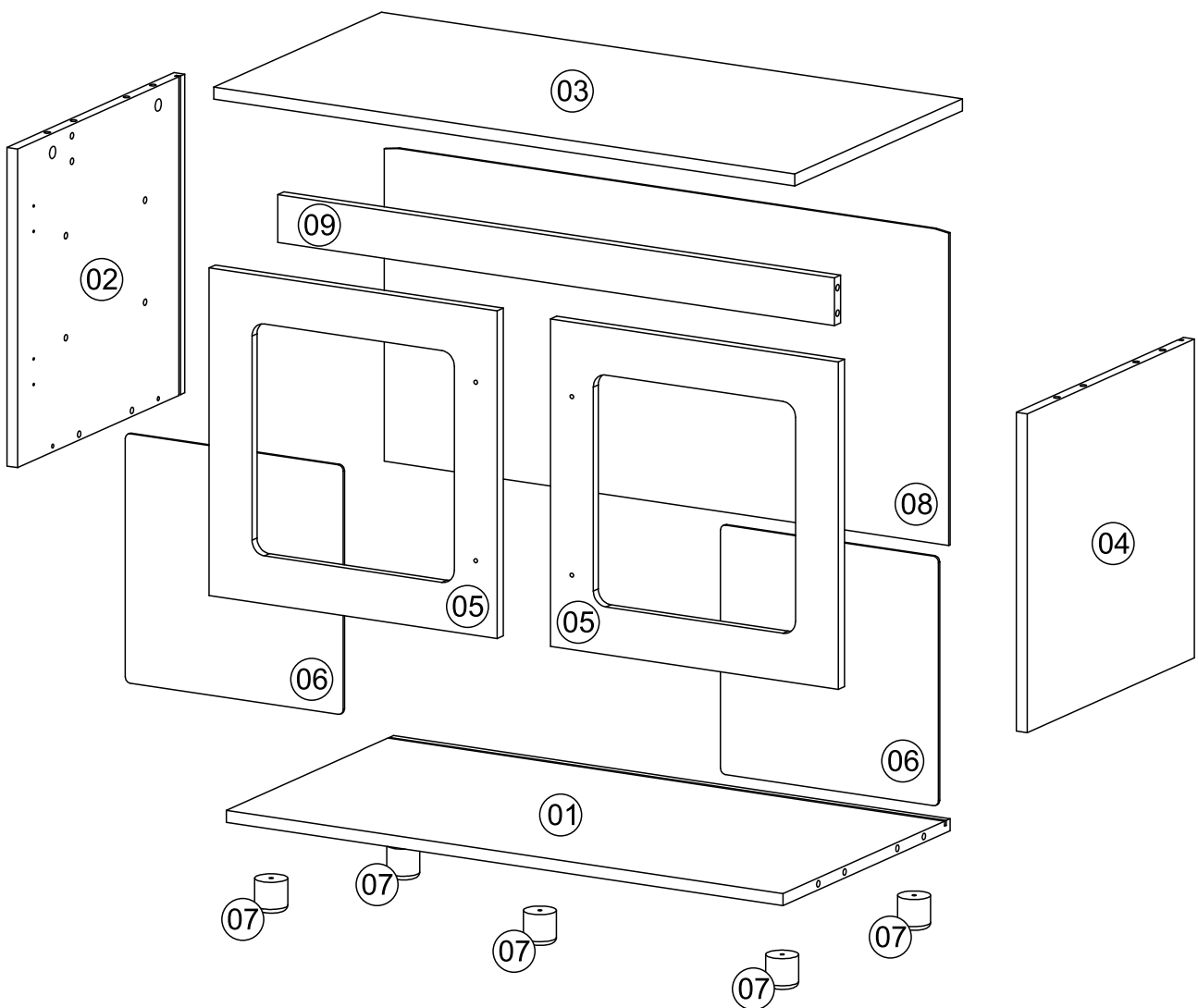
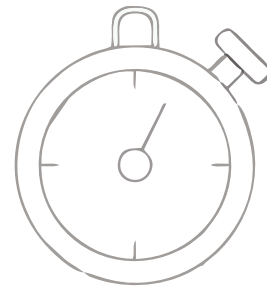
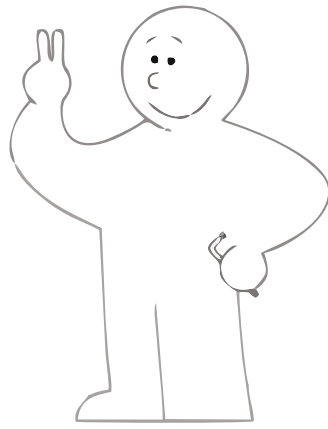
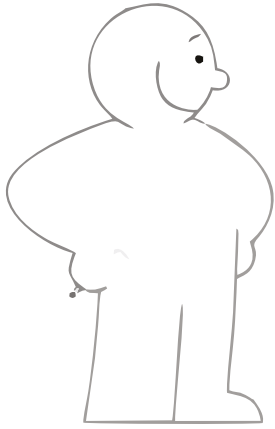


# ARDEN LOW STORAGE CABINET

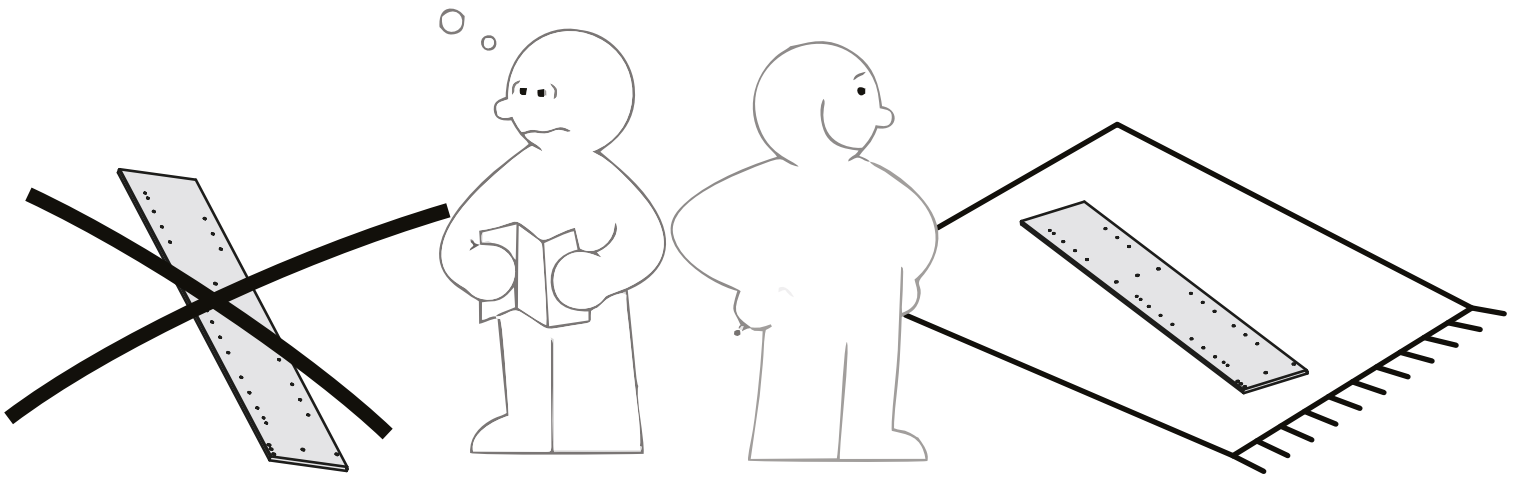


| Part | Description  | Dimensions (in) | Qty. |
|------|--------------|-----------------|------|
| 01   | Bottom panel | 30,6 x 15,9     | 01   |
| 02   | Left panel   | 15,7 x 15,9     | 01   |
| 03   | Top panel    | 32 x 15,9       | 01   |
| 04   | Right panel  | 15,7 x 15,9     | 01   |
| 05   | Door         | 411 x 15,8      | 02   |
| 06   | Door front   | 12,3 x 12       | 02   |
| 07   | Foot         | 1,5 x 1,5       | 05   |
| 08   | Black panel  | 31,1 x 15,5     | 01   |
| 09   | Rail         | 30,6 x 2,3      | 01   |

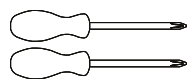




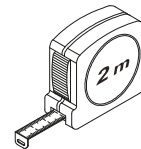
**30 Min**



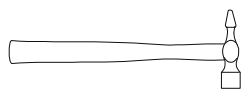
**Tools required**



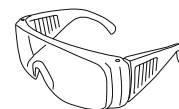
Phillips screwdriver  
(medium & large)



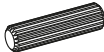
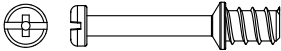
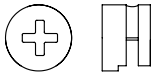


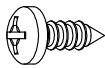
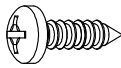





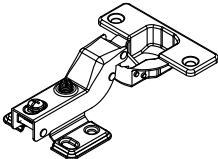

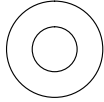
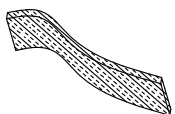
Ruler/tape  
measure



Small  
hammer



Eye protection  
(when using a  
hammer or glue)

| Part  | Size      | Name         | Quantity |
|---|-----------|--------------|----------|
| A    | 8x30mm    | Wooden dowel | 12       |
| B    | Ø7x30mm   | Cam Bolt     | 8        |
| C    | Ø15x10mm  | Cam Lock     | 8        |
| D    | Ø3.5x12mm | Screw        | 16       |
| E    | Ø3.5x25mm | Screw        | 4        |
| F    | Ø4x14mm   | Screw        | 24       |
| G    | Ø4x20mm   | Screw        | 5        |
| H    | Ø5x40mm   | Screw        | 5        |
| I    | Ø3x16mm   | Screw        | 4        |
| J  | Ø 19mm    | Sticker      | 16       |
| K  | 14.7x30mm | Support      | 4        |
| L  | 224mm     | Handle       | 2        |
| M  | Ø35mm     | Metal Hinge  | 4        |
| N  | 25x12mm   | Door Latch   | 16       |
| O  | 1/4x5/8   | Washer       | 02       |
| P  | 20x200mm  | Wall Anchor  | 01       |

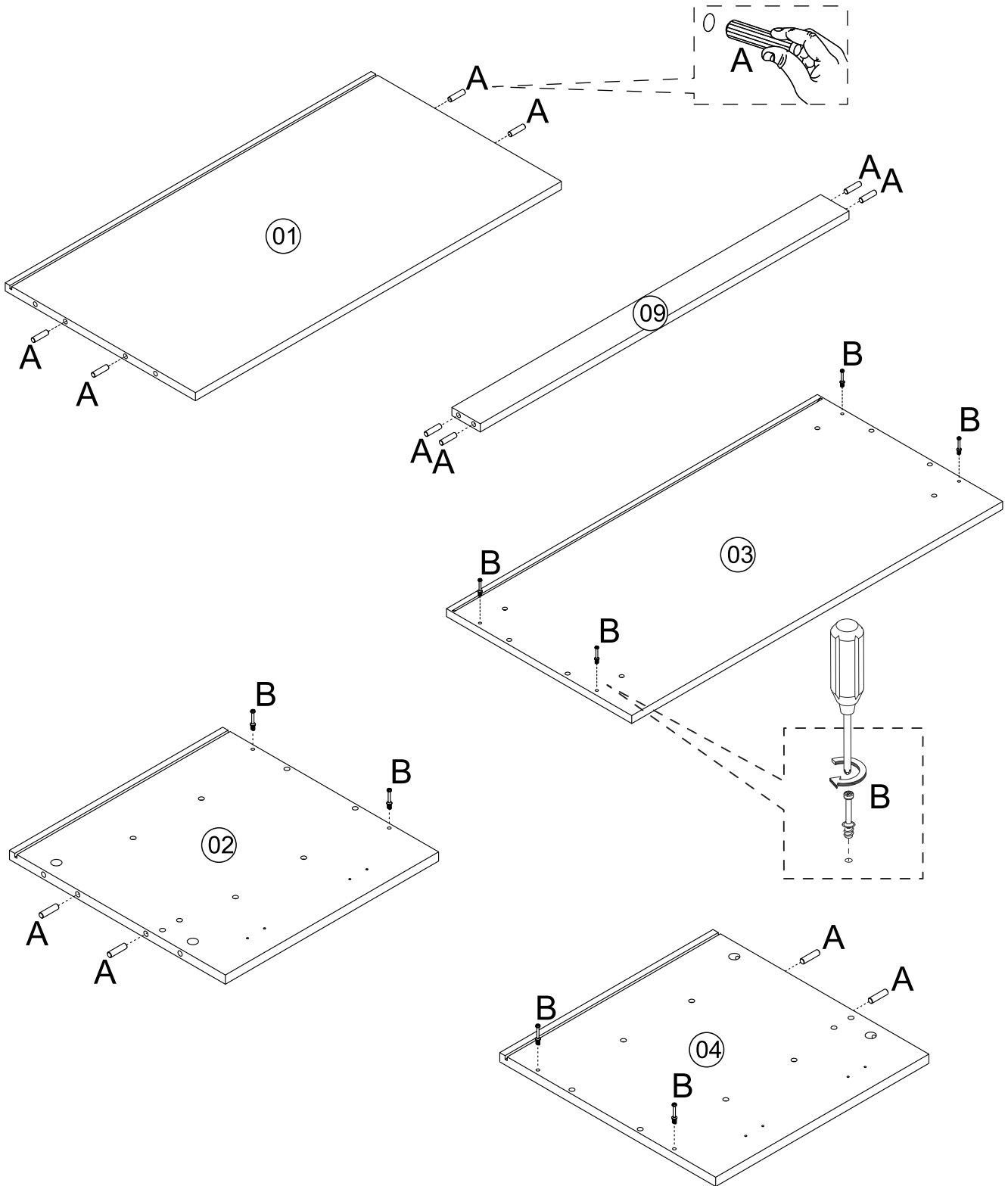
 **HARDWARE IS LOCATED INSIDE A CARDBOARD BOX ! CHECK FOR IT BEFORE DISPOSING PACKAGING**


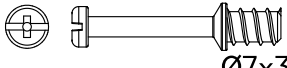
**Ruler - Use this ruler to help correctly identify the screws**



# Step 1

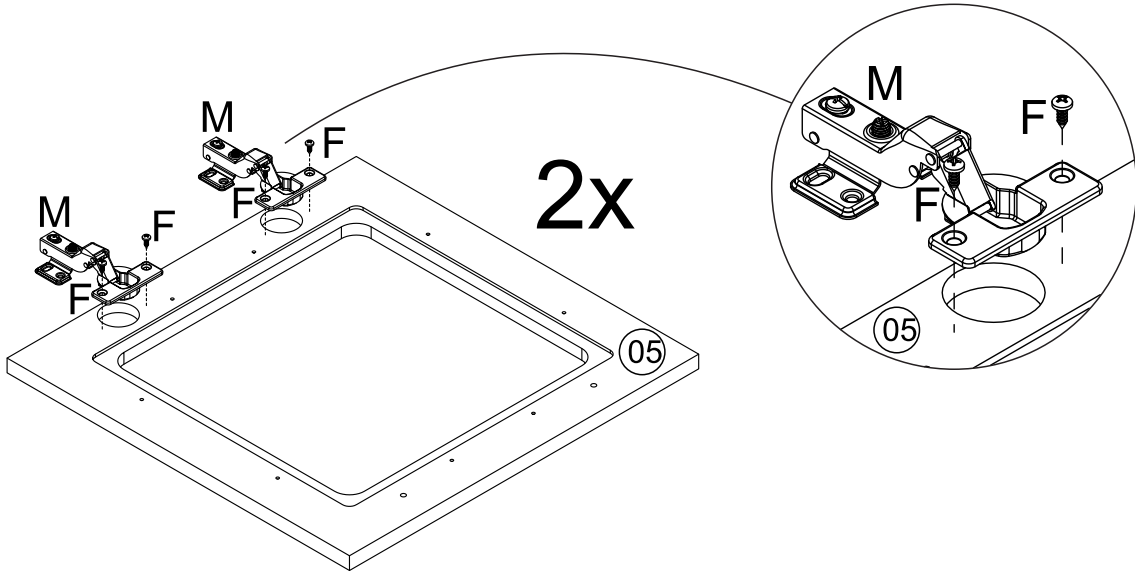
Let's get started! Insert Wooden Dowels (A) into Bottom Panel (1), Left Panel (2), Right Panel (4) and Rail (9). Also, attach Cam Bolts (B) to Left Panel (2), Top Panel (3) and Right Panel (4) using a Phillips screwdriver.



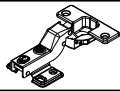
|   |   |        |    |   |  |         |   |
|---|---|--------|----|---|--|---------|---|
| A |  | 8x30mm | 12 | B |  | Ø7x30mm | 8 |
|---|---|--------|----|---|--|---------|---|

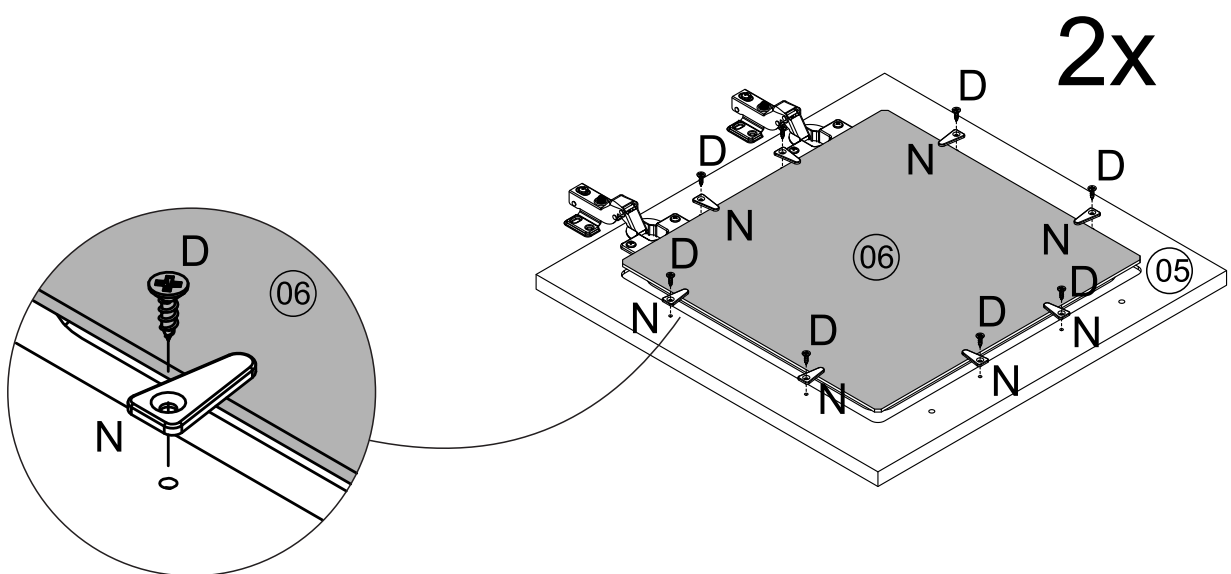
# Step 2

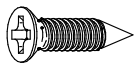
Attach Hinges (M) to Doors (5) using Screw (F) and a Phillips screwdriver. Insert Door Front (6) in Doors (5) and secure using Door Latch (N), Screw (D) and a Phillips screwdriver.




|   |   |         |   |
|---|---|---------|---|
| F |  | Ø4x14mm | 8 |
|---|---|---------|---|

|   |   |       |   |
|---|---|-------|---|
| M |  | Ø35mm | 4 |
|---|---|-------|---|

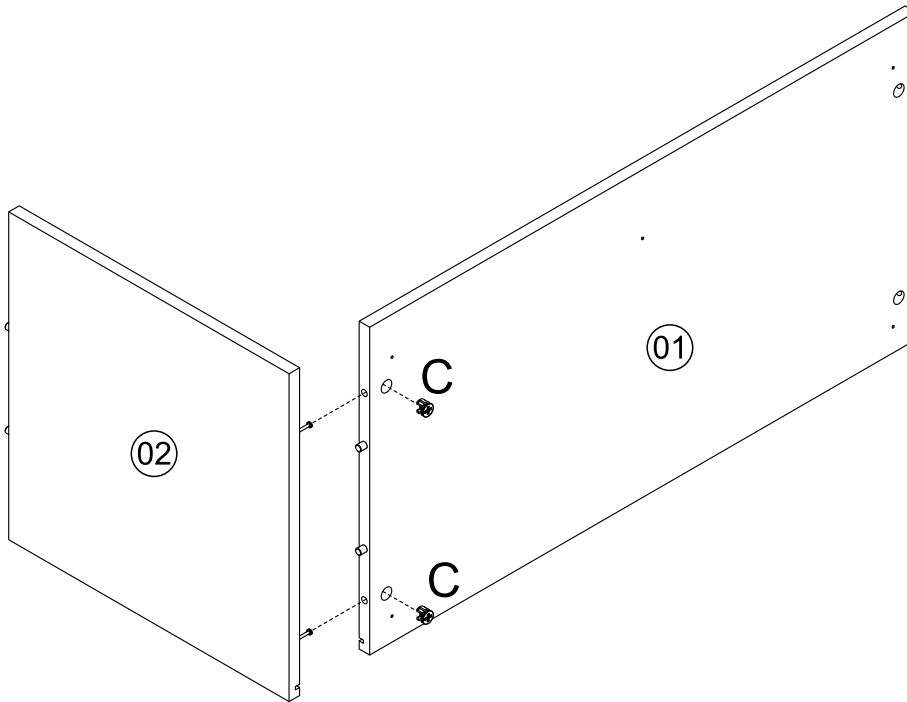




|   |   |           |    |
|---|---|-----------|----|
| D |  | Ø3.5x12mm | 16 |
|---|---|-----------|----|

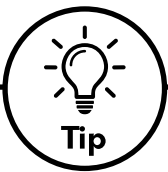
|   |   |         |    |
|---|---|---------|----|
| N |  | 25x12mm | 16 |
|---|---|---------|----|

# Step 3

Join Bottom Panel (1) and Left Panel (2) using Cam Locks (C) and a Phillips screwdriver.

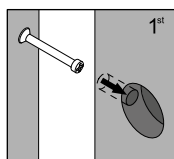


|   |   |   |          |   |
|---|---|---|----------|---|
| C |  |  | Ø15x10mm | 2 |
|---|---|---|----------|---|

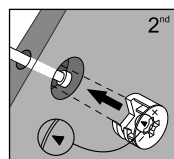


## Cam Locks

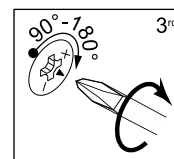
Cam Locks help to securely join two pieces together.  
Follow these easy steps:



1: Insert Cam Bolt into bolt holes on the flat side. Don't over tighten!

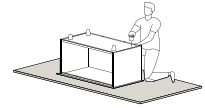


2: Assemble both parts together. The cam bolts go in the drill holes that have a circular hole on the side, you should be able to see the cam bolts through it. After fitting parts together insert the cam lock on the side holes.

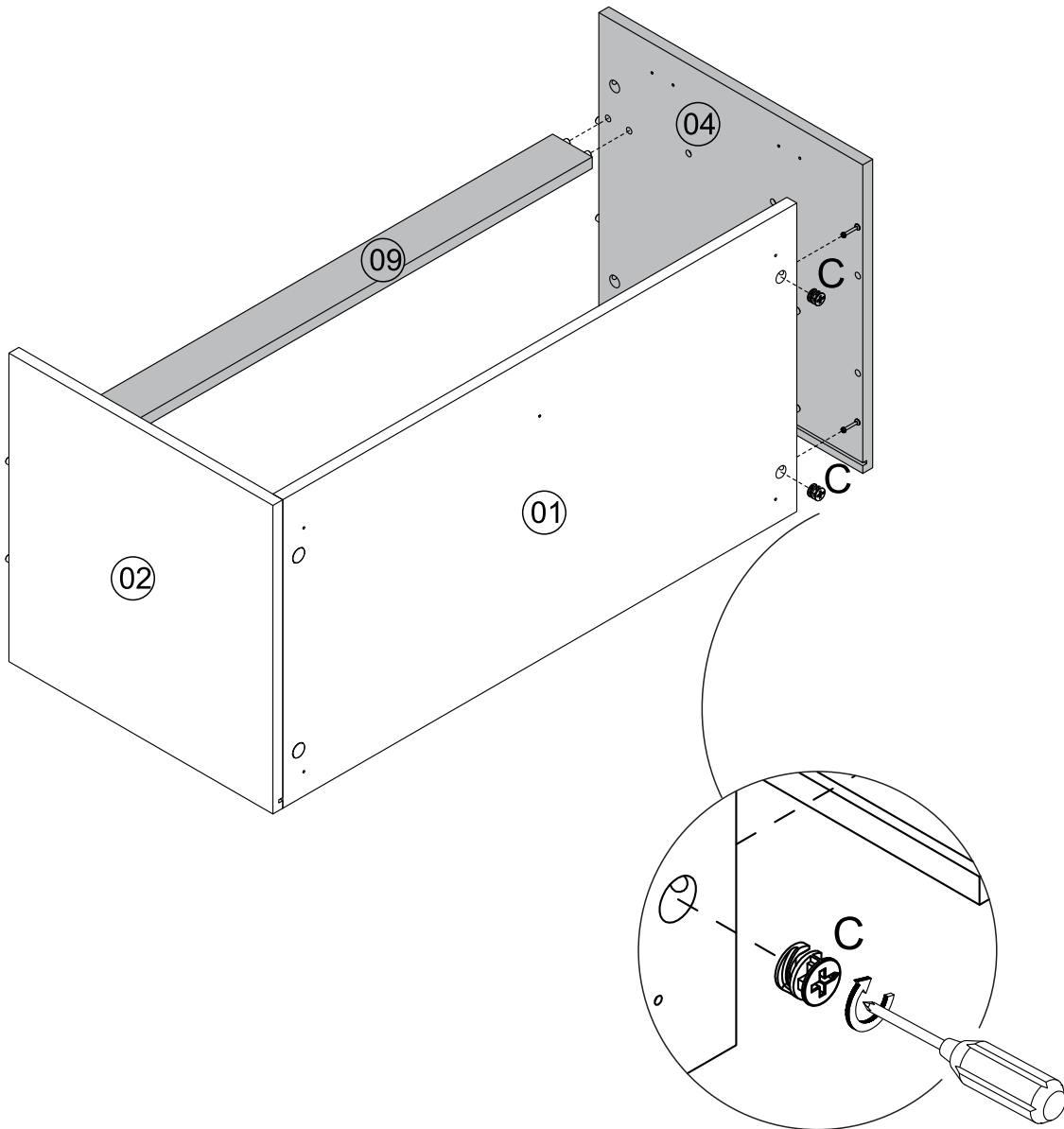




3: On the back of the Cam Lock will be a "C" shape. Insert the Cam Lock so the opening of the "C" fits over the Cam Bolt. Tighten with the screwdriver.

# Step 4

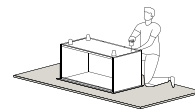


Secure Rail (9) and Right Panel (4) using dowels, Cam Locks (C) and a Phillips screwdriver.

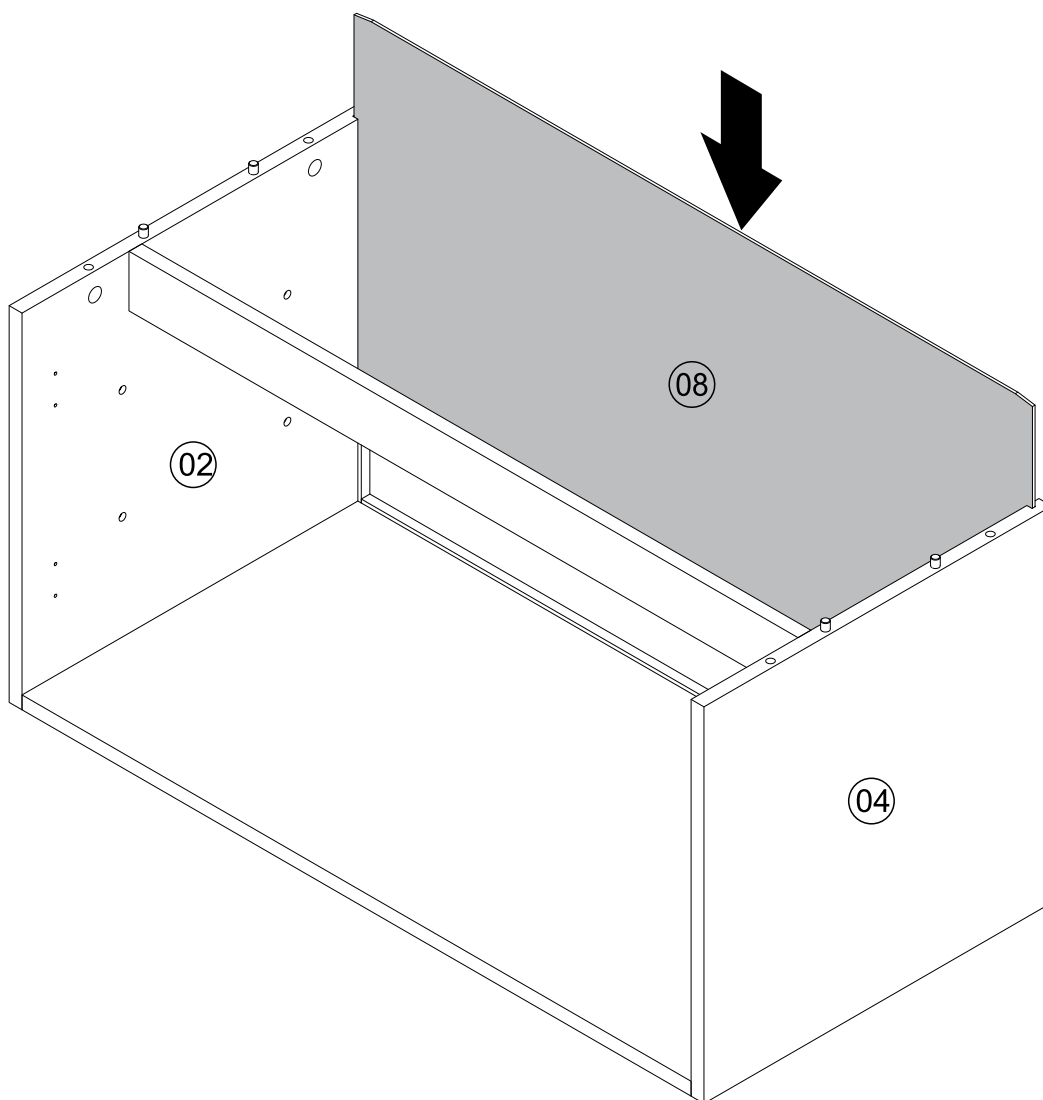


|   |   |   |          |   |
|---|---|---|----------|---|
| C |  |  | Ø15x10mm | 2 |
|---|---|---|----------|---|

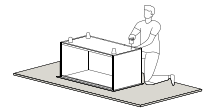
# Step 5



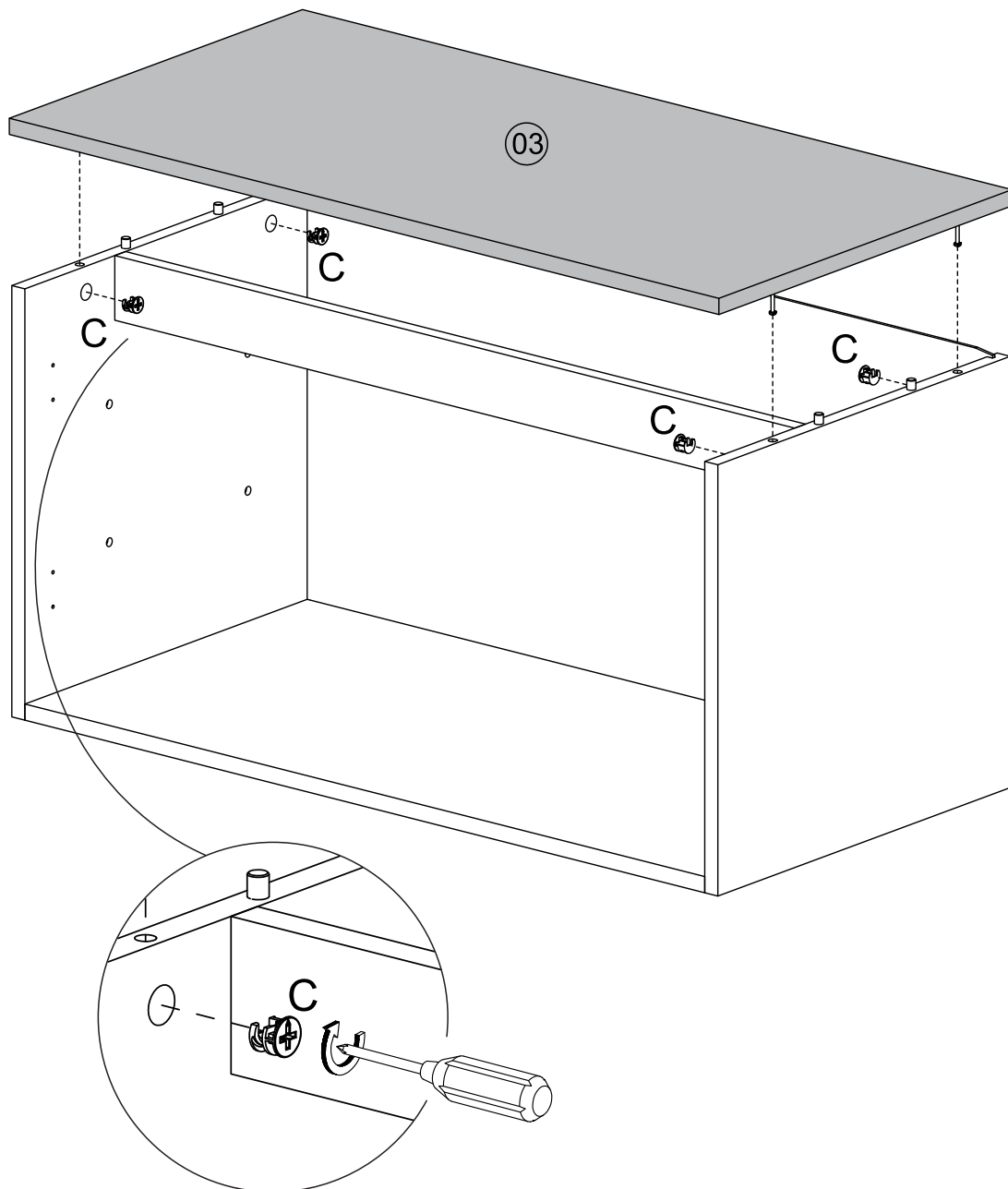
Slide Back Panel (8) between the grooves on Left Panel (2) and Right Panel (4) fitting in Bottom Panel (1).





# Step 6

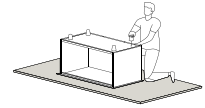


Attach Top Panel (3) to Left Panel (2) and Right Panel (4) using Cam Locks (C) and a Phillips screwdriver.

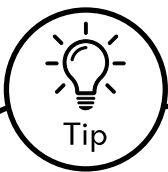
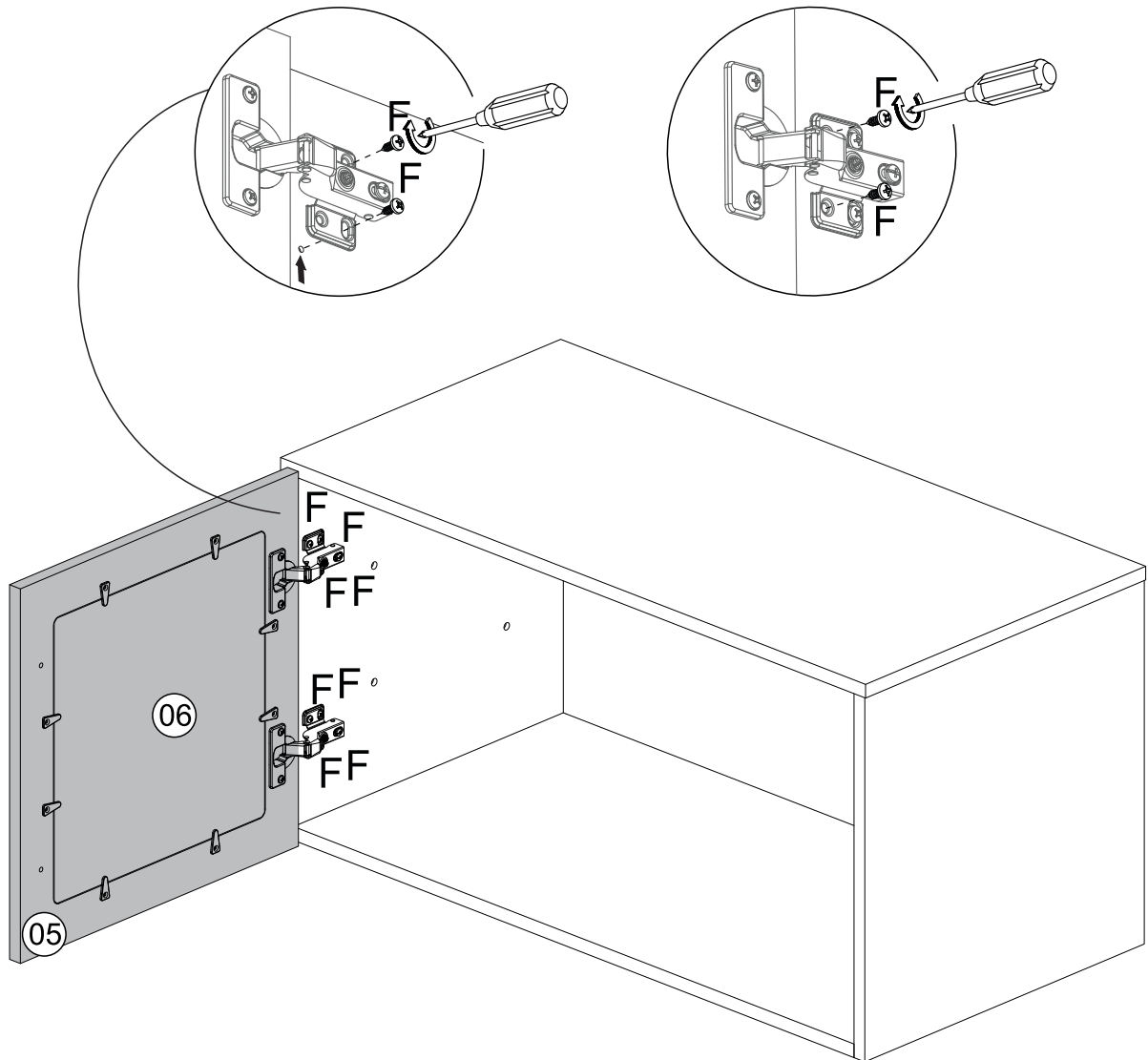


|   |   |   |          |   |
|---|---|---|----------|---|
| C |  |  | Ø15x10mm | 4 |
|---|---|---|----------|---|

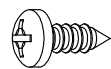
# Step 7



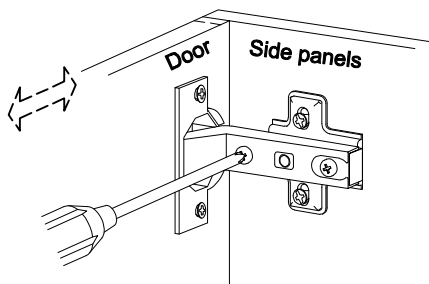
Attach Door (5) on Left Panel (2) using Screws (F) and a Phillips screwdriver.



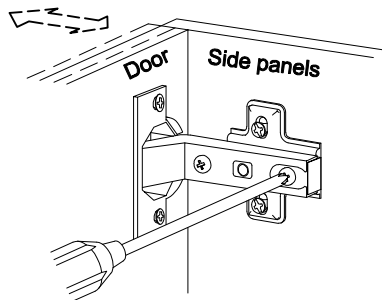
Tip

|   |   |         |   |
|---|---|---------|---|
| F |  | Ø4x14mm | 8 |
|---|---|---------|---|

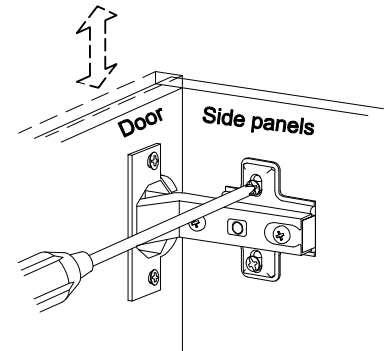
## Adjusting The Cabinet Doors



Adjust horizontal width with this screw

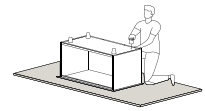


Adjust depth position by loosening the hinge arm mounting screw

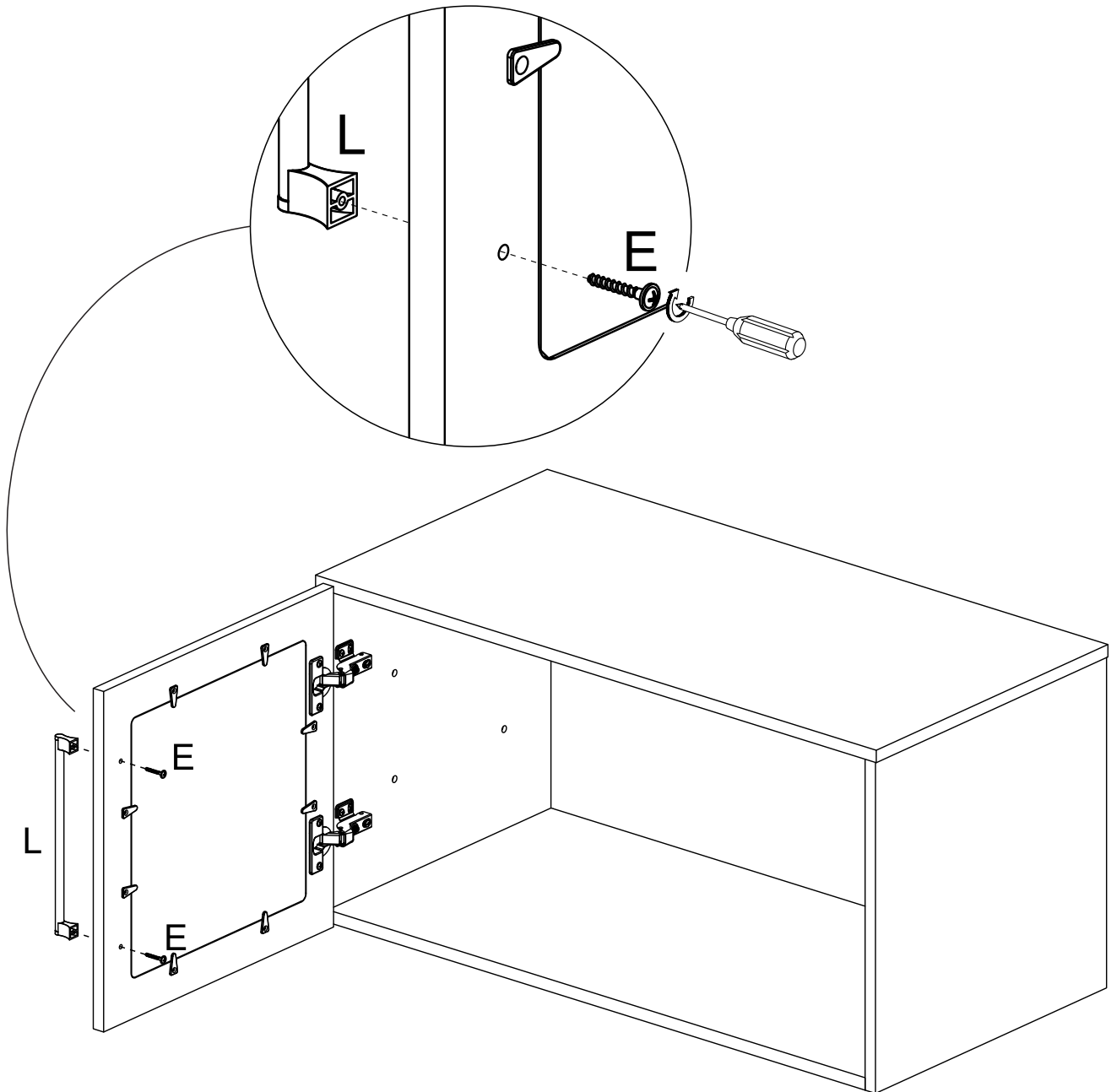



Adjust vertical height via the screws in the mounting plate


# Step 8



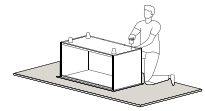
Secure Handle (L) using Screw (E) and a Phillips screwdriver.



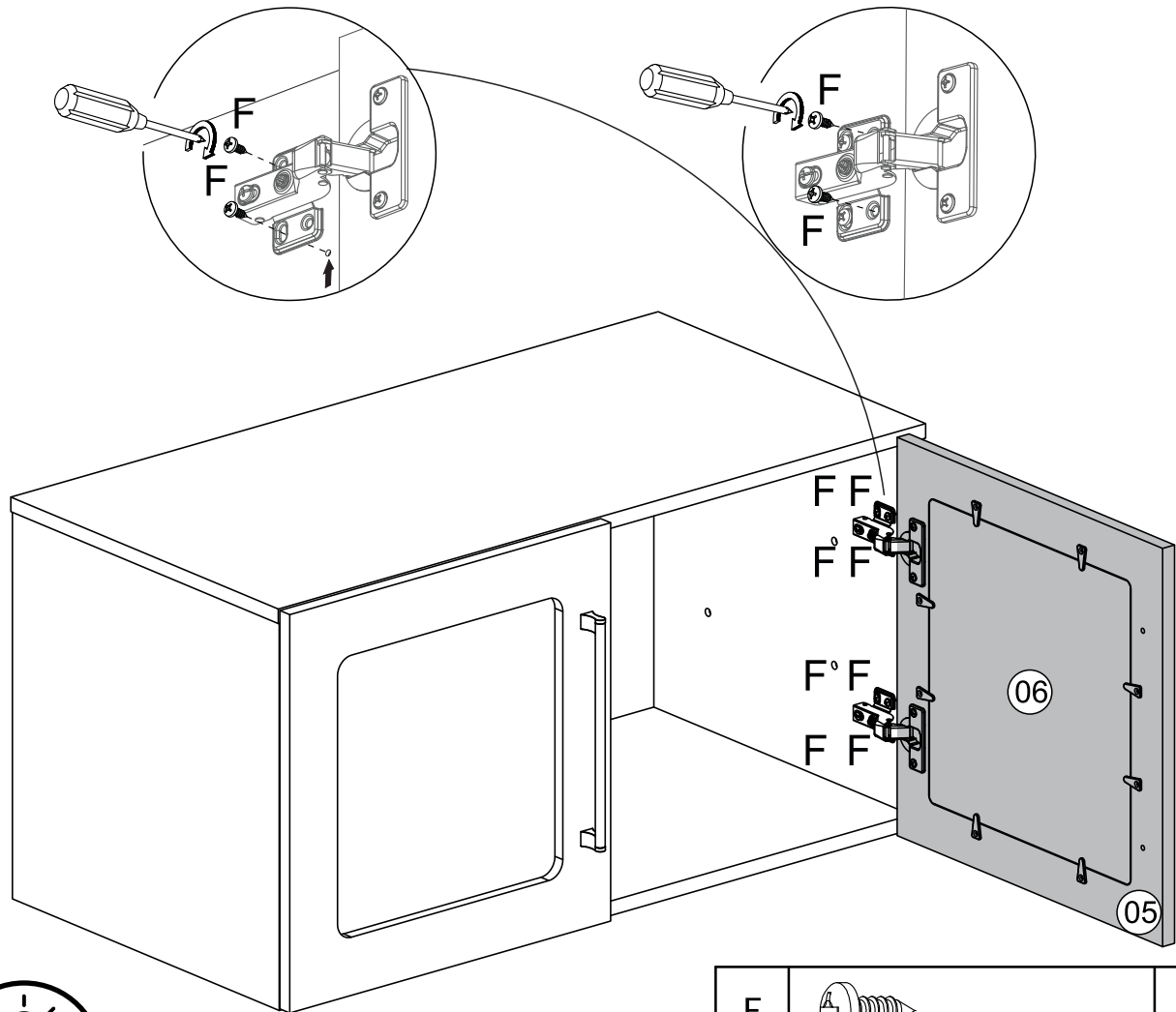
|   |   |           |   |
|---|---|-----------|---|
| E |  | Ø3.5x25mm | 2 |
|---|---|-----------|---|

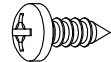
|   |  |       |   |
|---|--|-------|---|
| L |  | 224mm | 1 |
|---|--|-------|---|

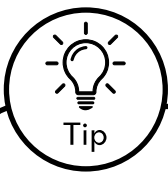
# Step 9



Attach Door (5) on Right Panel (4) using Screws (F) and a Phillips screwdriver.

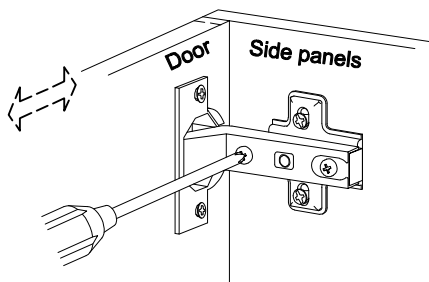


|   |   |         |   |
|---|---|---------|---|
| F |  | Ø4x14mm | 8 |
|---|---|---------|---|

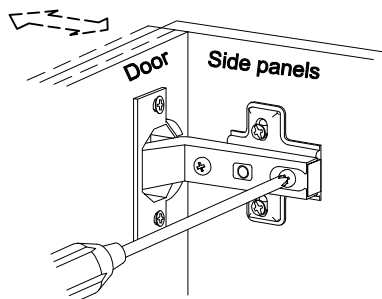


Tip

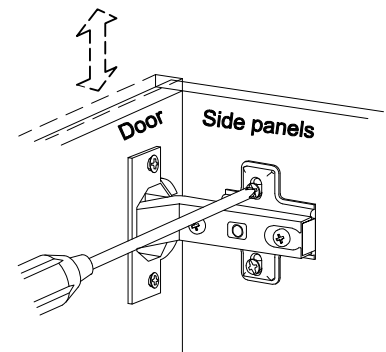
## Adjusting The Cabinet Doors



Adjust horizontal width with this screw



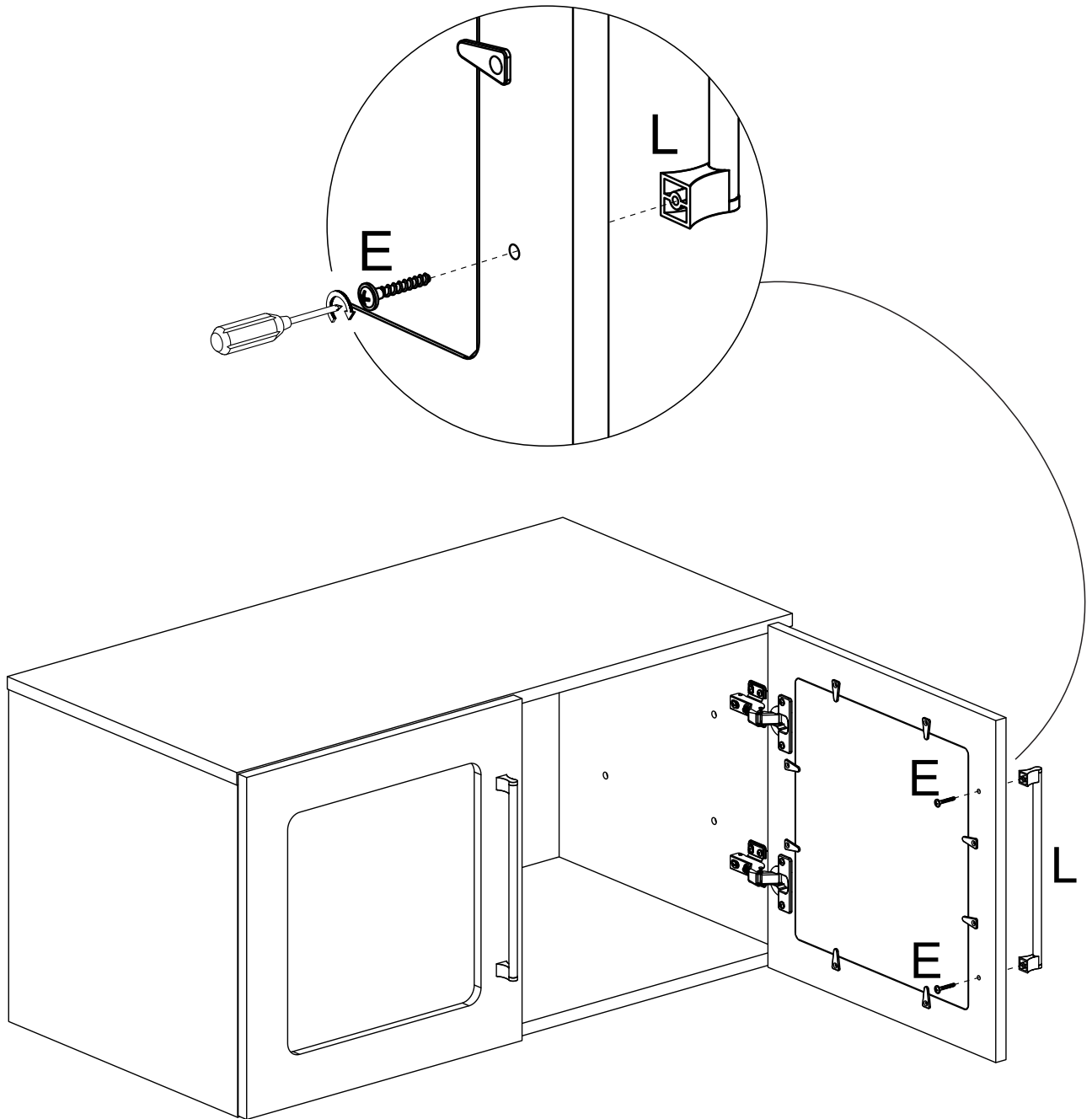
Adjust depth position by loosening the hinge arm mounting screw





Adjust vertical height via the screws in the mounting plate

# Step 10

Repeat Step 8.

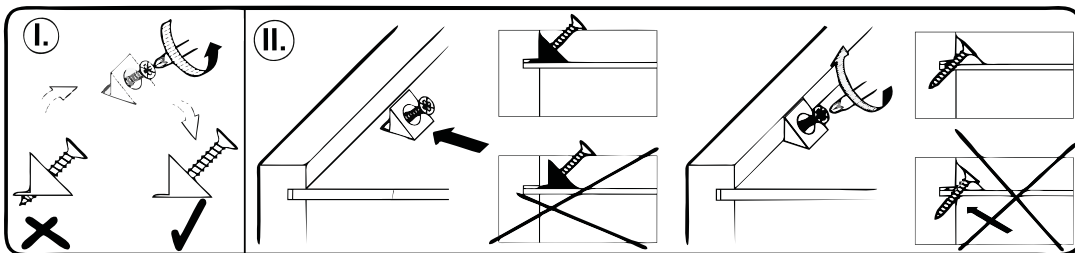
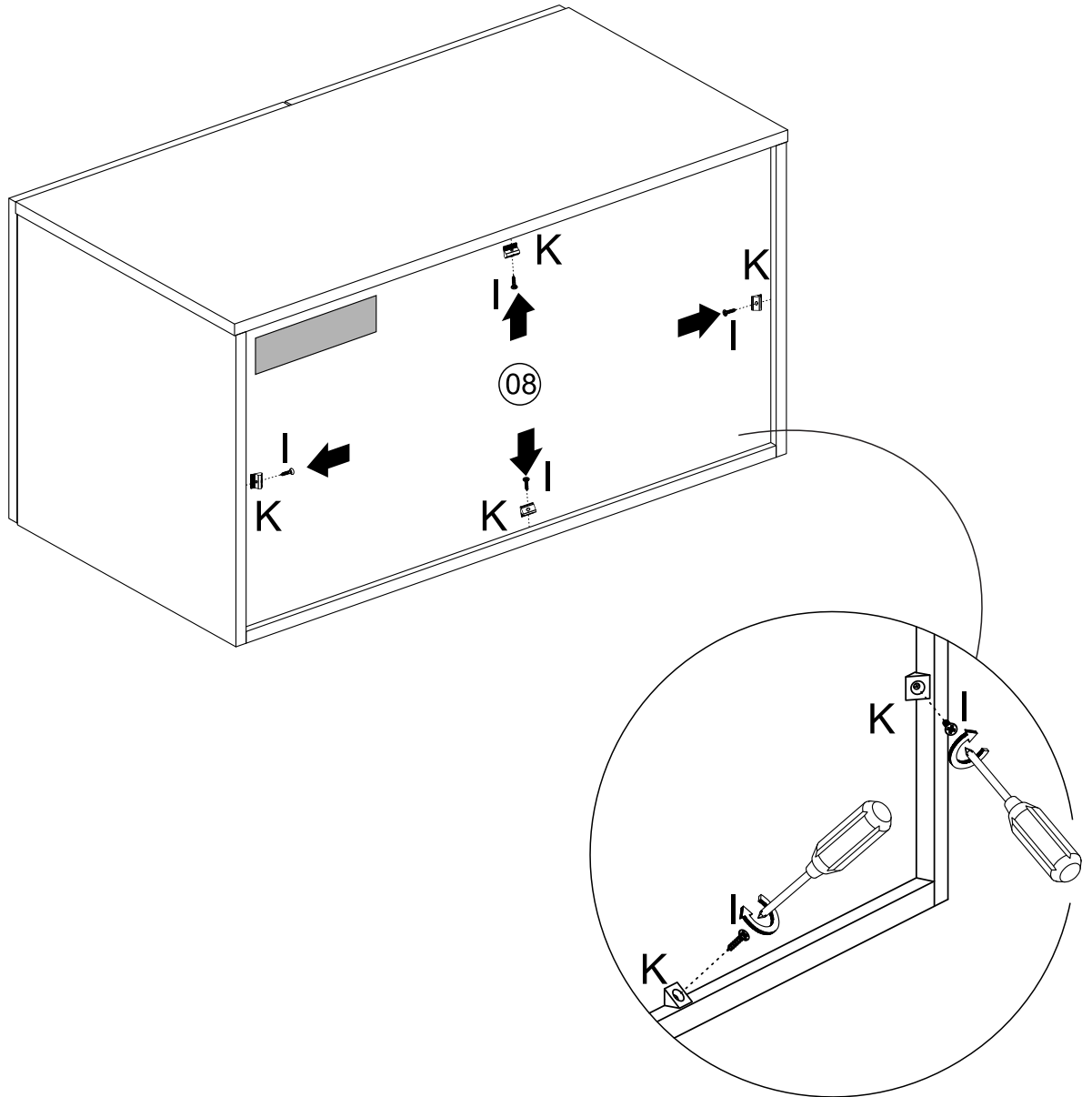


|   |   |           |   |
|---|---|-----------|---|
| E |  | Ø3.5x25mm | 2 |
|---|---|-----------|---|

|   |  |       |   |
|---|--|-------|---|
| L |  | 224mm | 1 |
|---|--|-------|---|

# Step 11

Secure Back Panel (8) using Support (K), Screw (I) and a Phillips screwdriver.

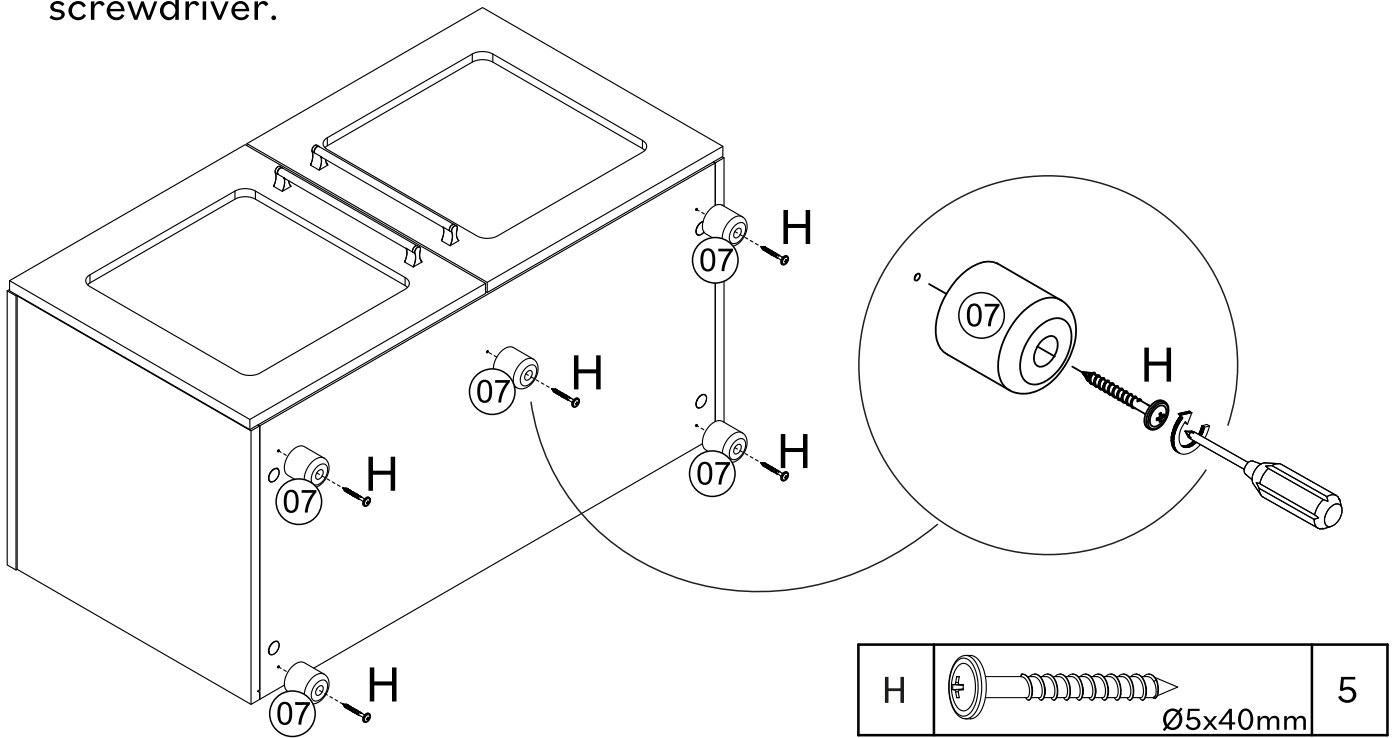


|   |  |         |   |
|---|--|---------|---|
| I |  | Ø3x16mm | 8 |
|---|--|---------|---|

|   |  |           |   |
|---|--|-----------|---|
| K |  | 14.7x30mm | 8 |
|---|--|-----------|---|

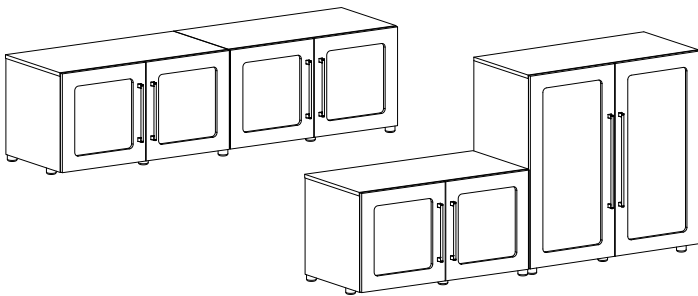
# Step 12

If you are not using your new cabinet on top of other Modular Mia Cabinet, you can attach Feet (7) using Screw (H) and a Phillips screwdriver.

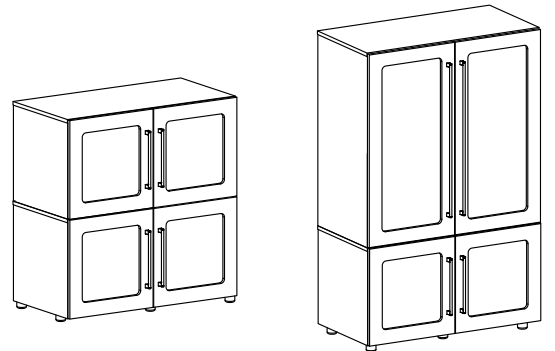


# Assembly Options

## Step 13

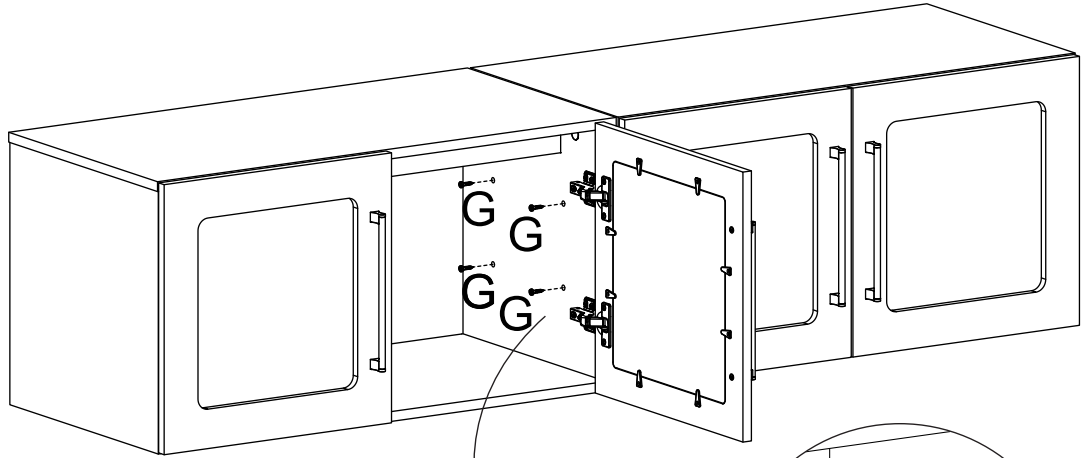


## Step 14

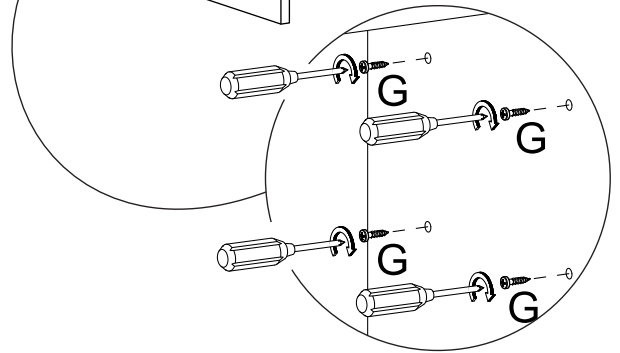
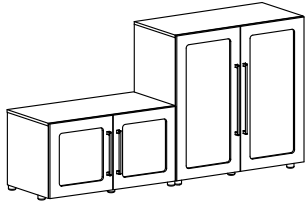


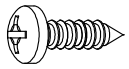
# Step 13

If attaching cabinets side by side, use Screws (G) and a Phillips screwdriver to join them through the side panels. The holes are predrilled.



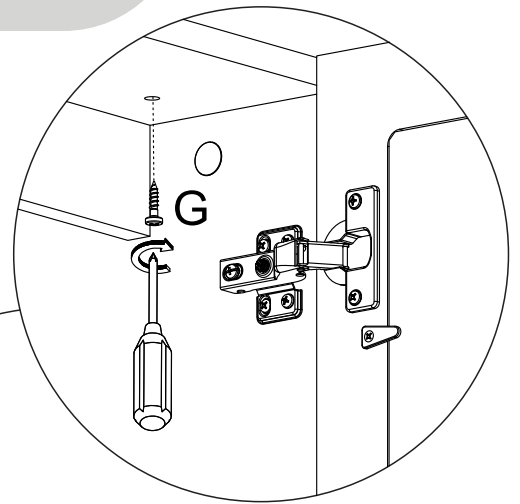
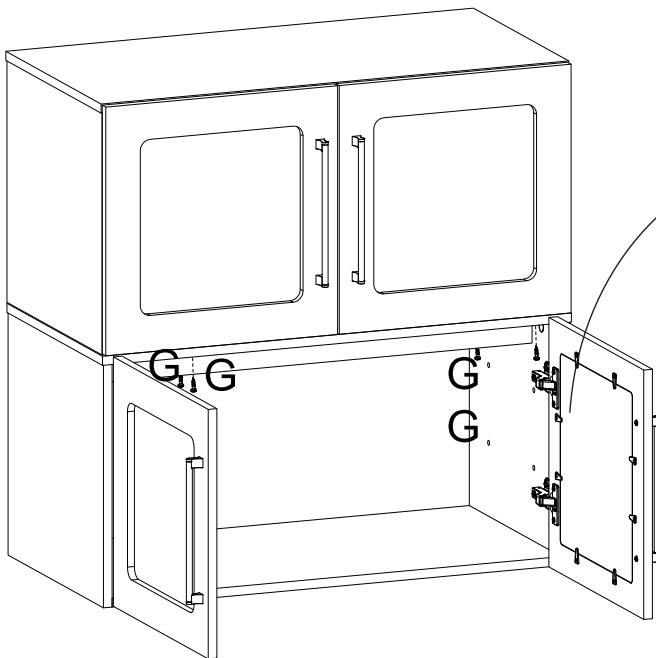
## Assembly Option



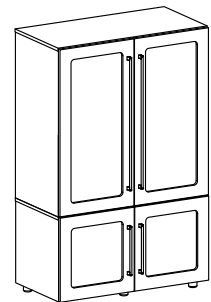
|   |  |         |   |
|---|--|---------|---|
| G |  | Ø4x20mm | 4 |
|---|--|---------|---|

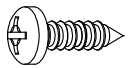
# Step 14

If assembling your cabinets on top of each other, use Screws (G) and a Phillips screwdriver to join them through the top and bottom panels. The holes are predrilled.



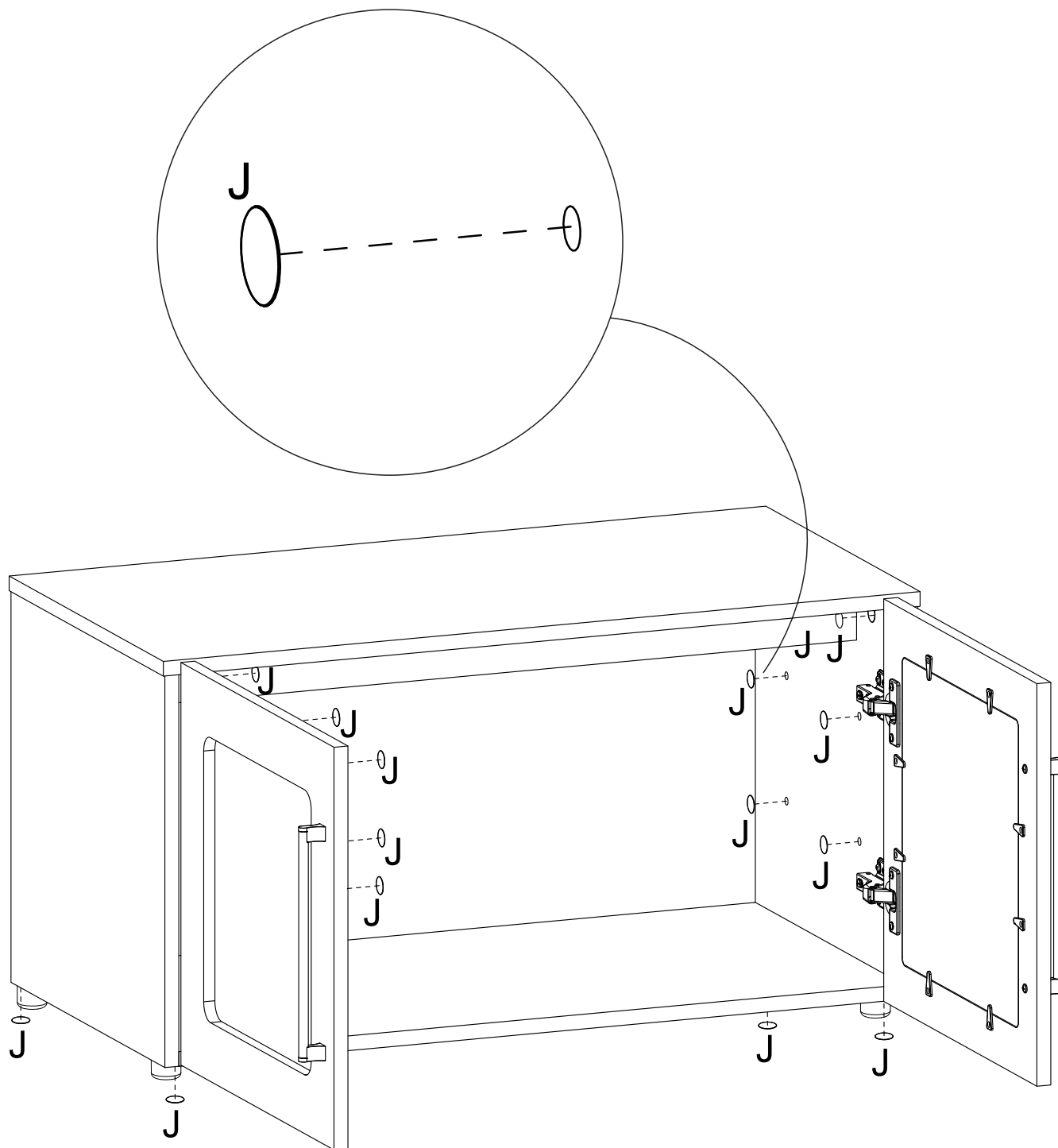
## Assembly Option




|   |   |         |   |
|---|---|---------|---|
| G |  | Ø4x20mm | 4 |
|---|---|---------|---|

# Step 15

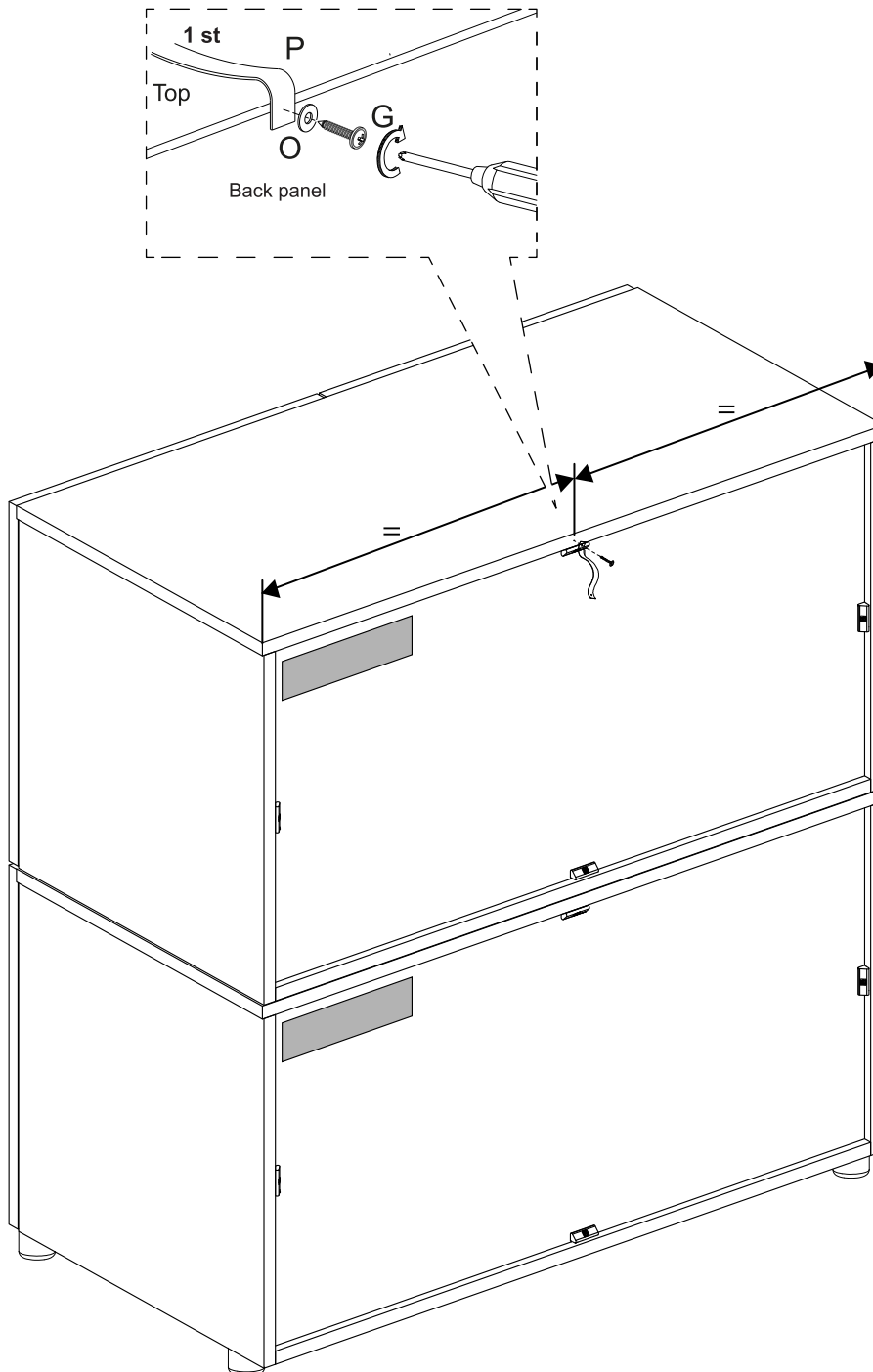
With everything in place use Stickers (J) to cover the extra holes.





|   |   |        |    |
|---|---|--------|----|
| J |  | Ø 19mm | 16 |
|---|---|--------|----|

# Step 16

Attach your Cabinet to the wall. Secure Wall Anchor (P) to your cabinet using Washer (O), Screw (G) and a Phillips screwdriver.



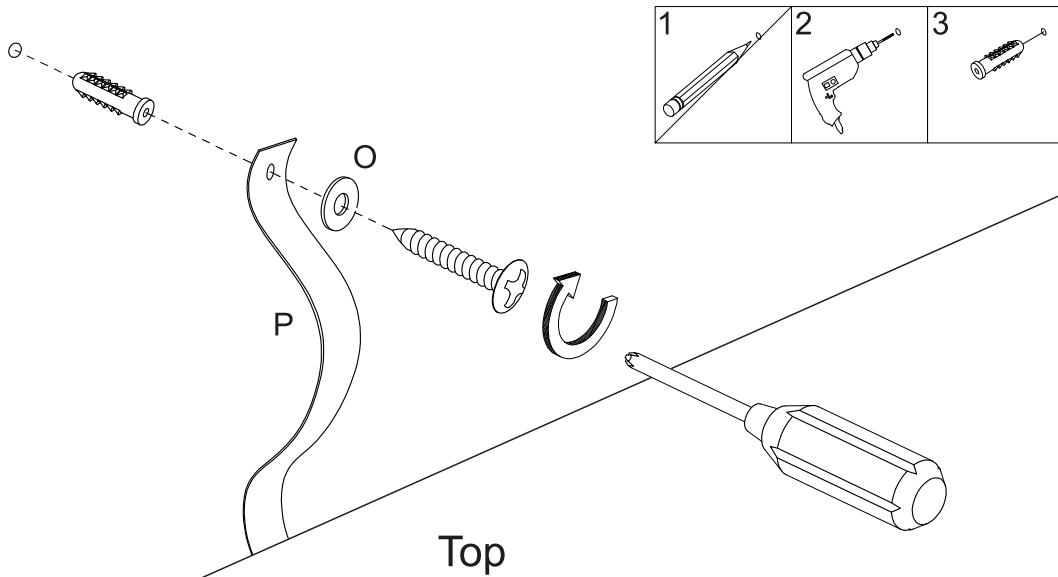
|   |   |         |   |
|---|---|---------|---|
| G |  | Ø4x20mm | 1 |
|---|---|---------|---|

|   |   |         |   |
|---|---|---------|---|
| O |  | 1/4x5/8 | 1 |
|---|---|---------|---|

|   |   |          |   |
|---|---|----------|---|
| P |  | 20x200mm | 1 |
|---|---|----------|---|

# Step 17

To finish this up use a plastic bush suitable for your wall. Then, secure the Wall anchor (L) to the wall using Washer (M) and a screw also suitable for your wall.

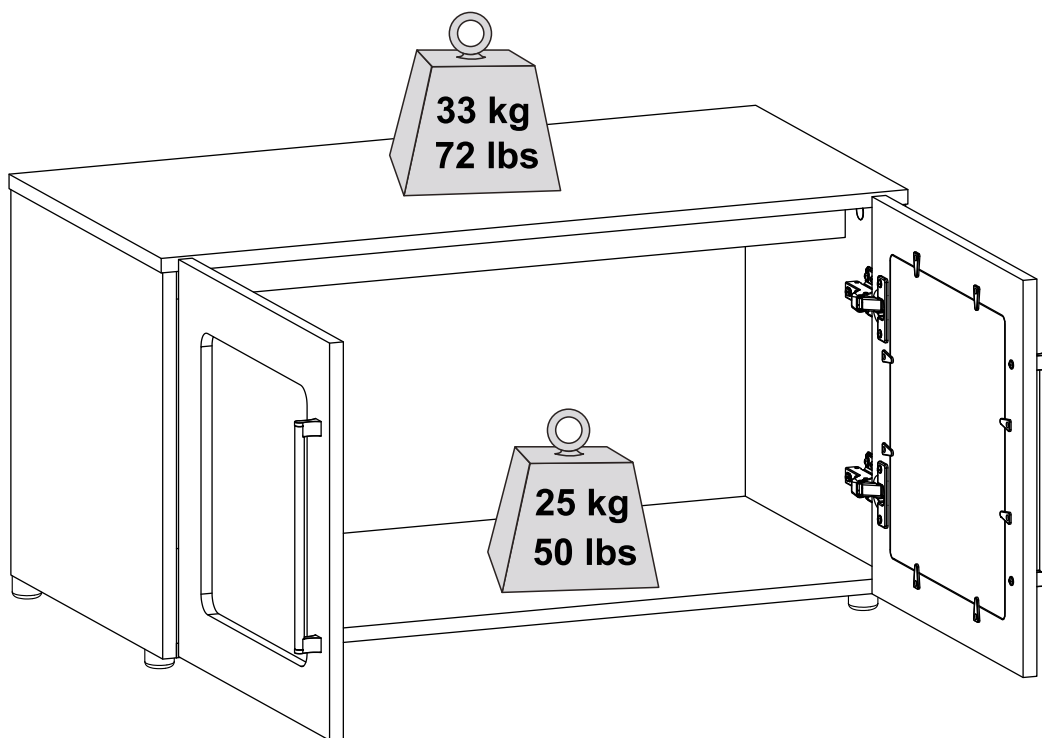


|   |   |         |   |
|---|---|---------|---|
| O |  | 1/4x5/8 | 1 |
|---|---|---------|---|

## Warning

Serious or fatal injuries can occur from furniture tipping over. To prevent the furniture from tipping over, we recommend that it is permanently attached to the wall. Wall anchor is included in this product. Please make sure the extra hardware is suitable for your walls before installing, as different wall materials may require different types of anchors.

You did it! Enjoy your new Modular Cabinet!



**Congratulations on your new piece of furniture!**

We would love to hear about it and see it.