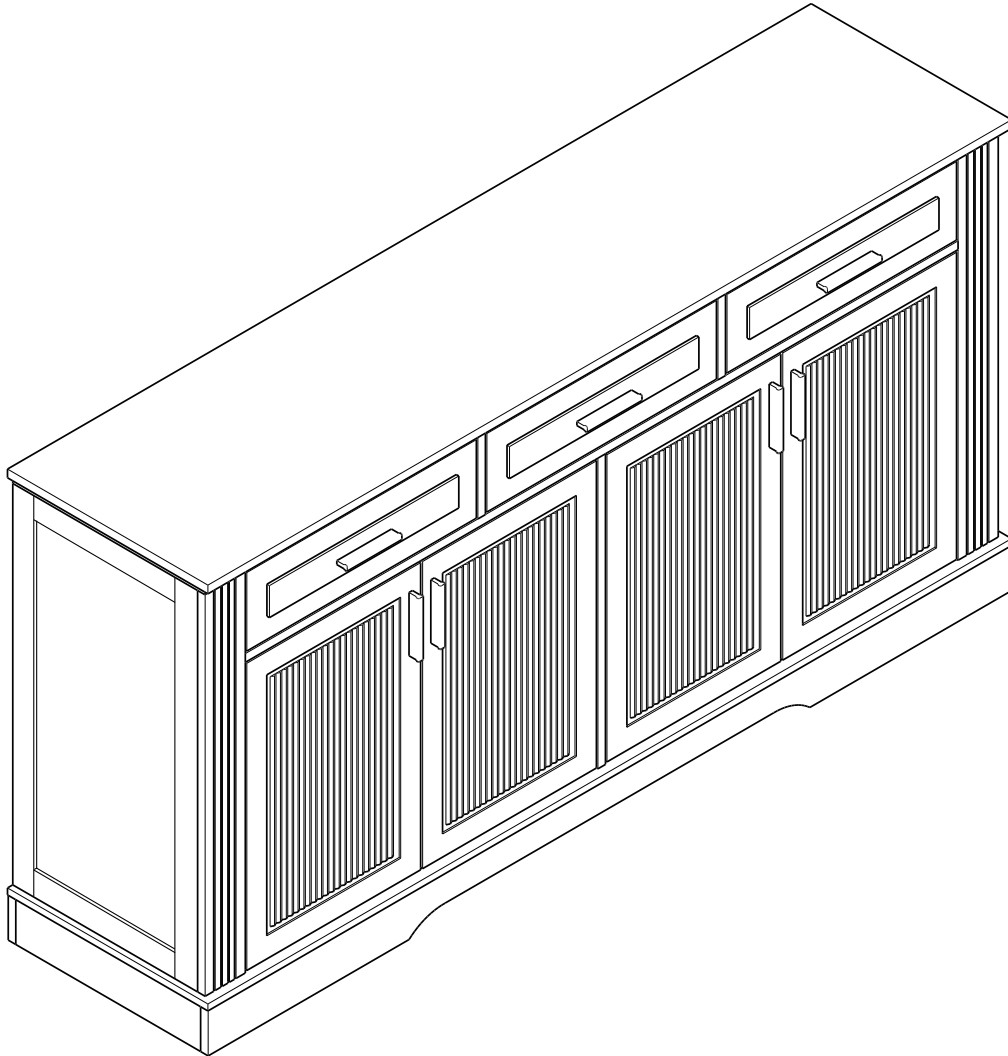
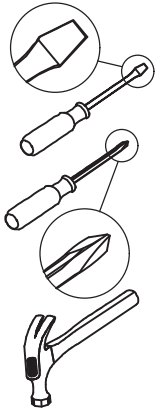

INSTALLATION & ASSEMBLY



As this item contains many parts, please read the installation instruction carefully before installation . Please use tools properly and carefully.

Before You Start



- ✓ Read through each step carefully and follow the proper order
- ✓ Separate and count all your parts and hardware
- ✓ Give yourself enough room for the assembly process
- ✓ Have the following tools: Flat Head Screwdriver, #2 Phillips Head Screwdriver and Hammer
- ✓ Caution: If using a power drill or power screwdriver for screwing, please be aware of to slow down and stop when screw is tight. Failure to do so may result in stripping the screw. (Assembly speed can be increased by using electric screwdriver)

Helpful Hints

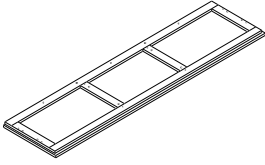
PEOPLE NEEDED FOR ASSEMBLY: 1-2

- Open your item in the area you plan to keep it to avoid excessive heavy lifting.
- Identify, sort and count the parts before attempting assembly.
- Make sure to always face the point on the top of the Cam Lock towards the outer edge.
- If there is a back panel in the package, please install it to make sure your unit is complete and sturdy.
- Please fix all the screws provided for the back panel which can enhance product stability. If it is difficult to fix it when tightening, it can be fixed with the help of a hammer and then tightened.
- Never push, pull, or drag your furniture.



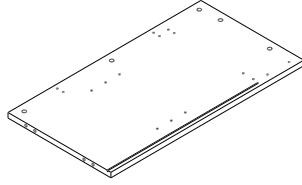
Board Identification

Not actual size



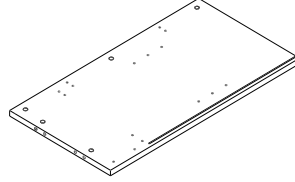
①

Qty:1



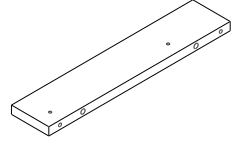
②

Qty:1



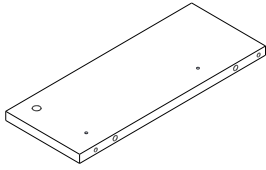
③

Qty:1



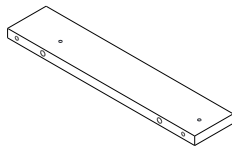
④

Qty:1



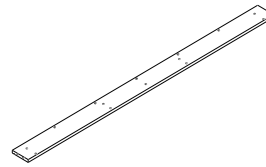
⑤

Qty:2



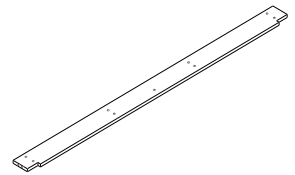
⑥

Qty:1



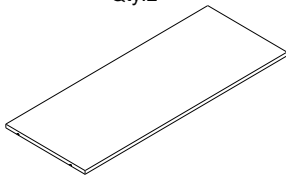
⑦

Qty:1



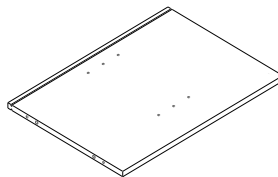
⑧

Qty:1



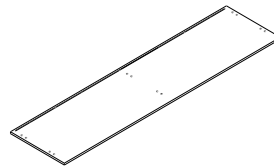
⑨

Qty:2



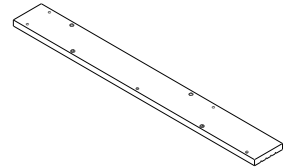
⑩

Qty:1



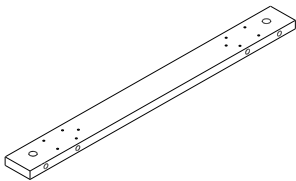
⑪

Qty:1



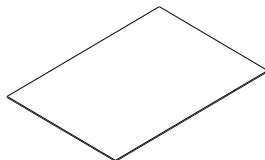
⑫

Qty:1



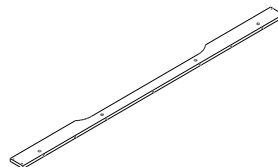
⑬

Qty:2



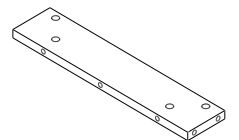
⑭

Qty:4



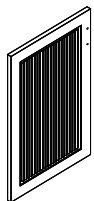
⑮

Qty:1



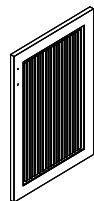
⑯

Qty:2



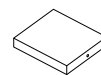
⑰

Qty:2



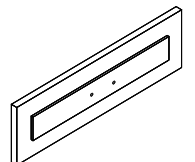
⑱

Qty:2



⑲

Qty:4

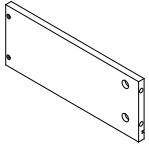


⑳

Qty:3

Board Identification

Not actual size



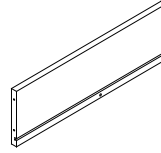
21

Qty:3



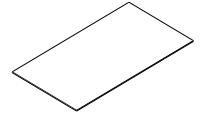
22

Qty:3



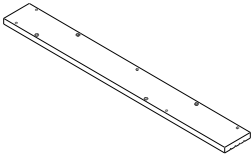
23

Qty:3



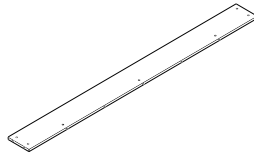
24

Qty:3



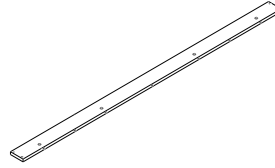
25

Qty:1



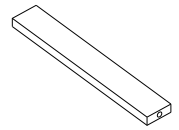
26

Qty:1



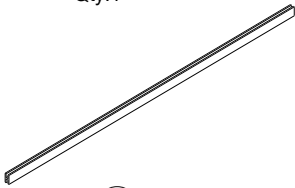
27

Qty:1



28

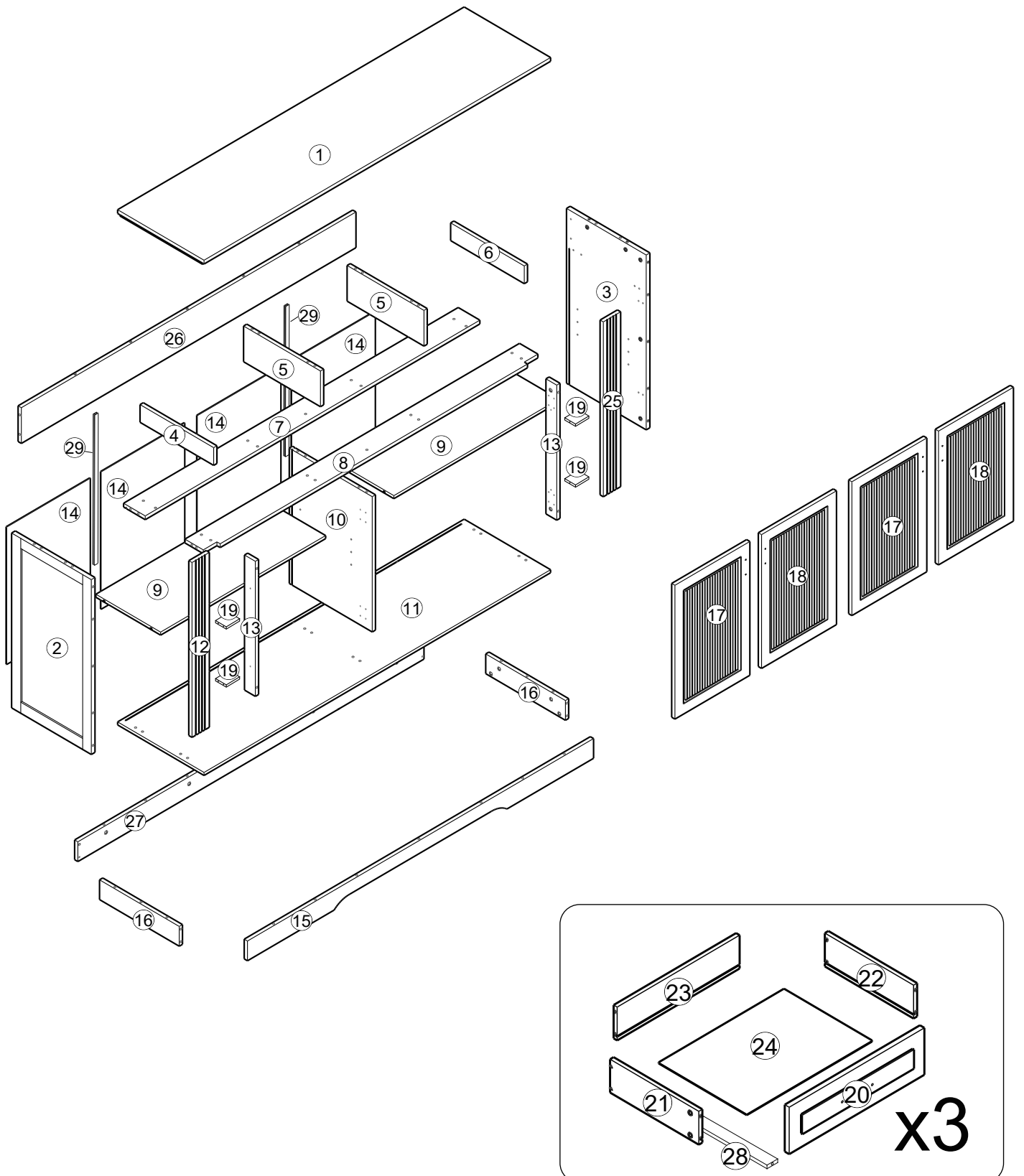
Qty:3



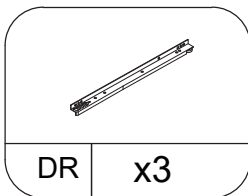
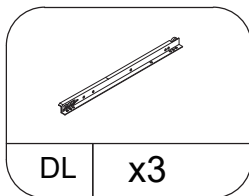
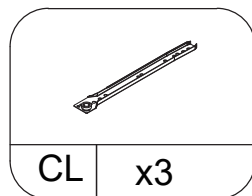
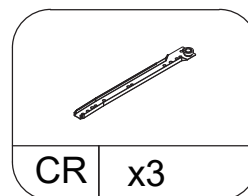
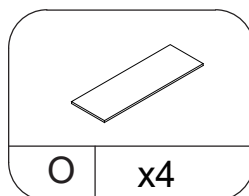
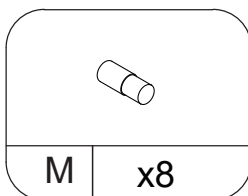
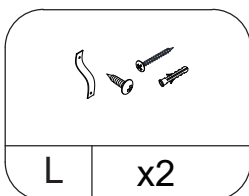
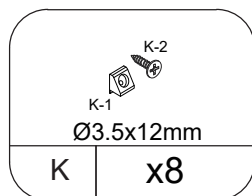
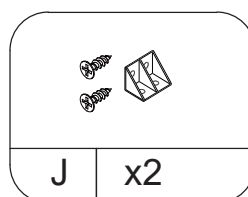
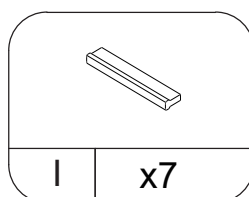
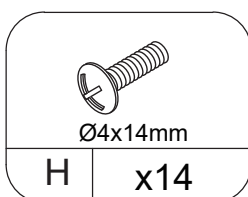
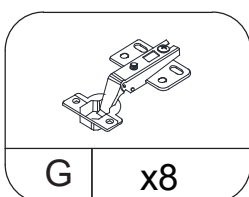
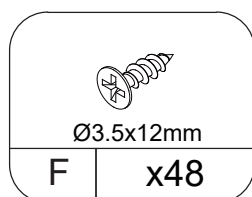
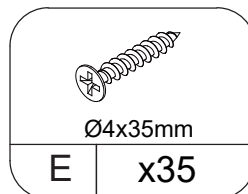
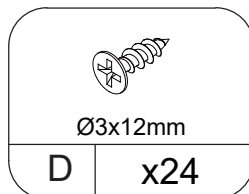
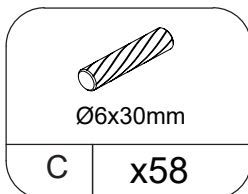
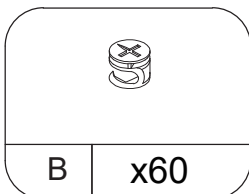
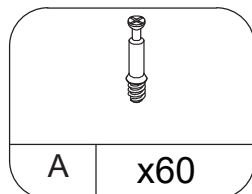
29

Qty:2

Board Identification

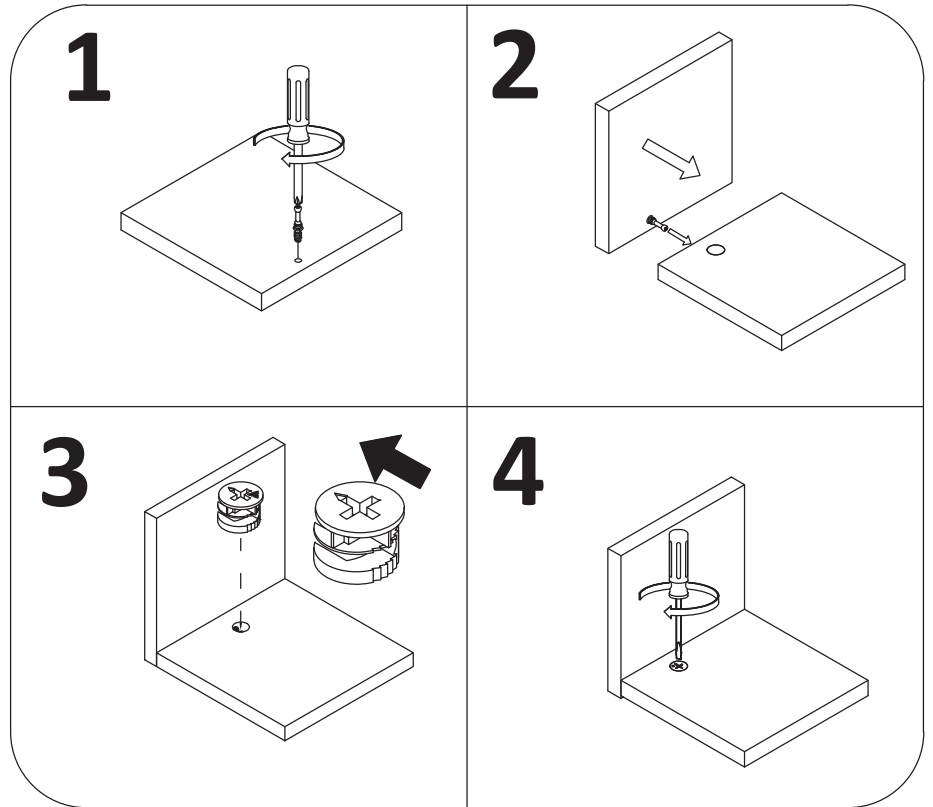


Part List

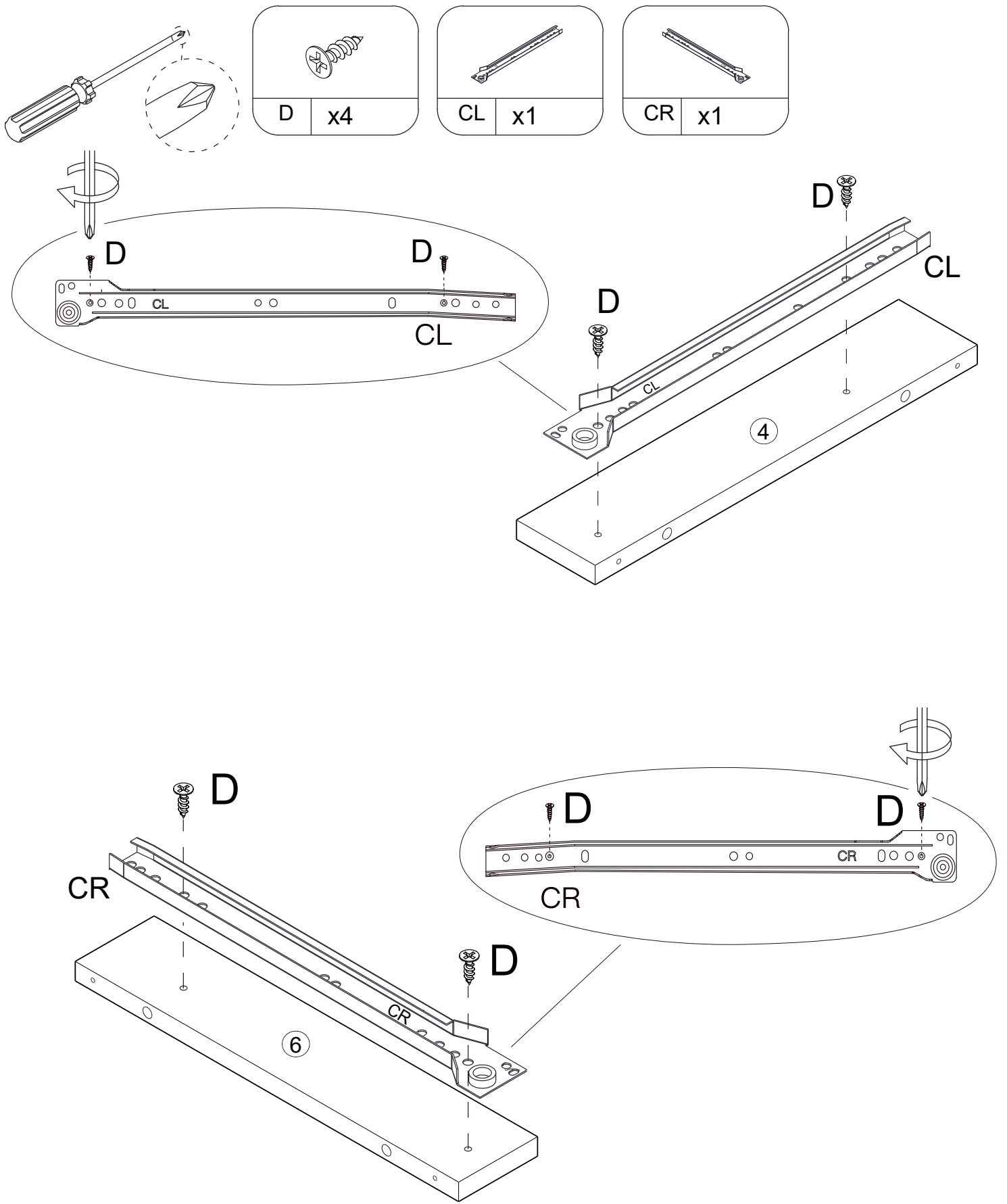


Cam Lock Fastening System

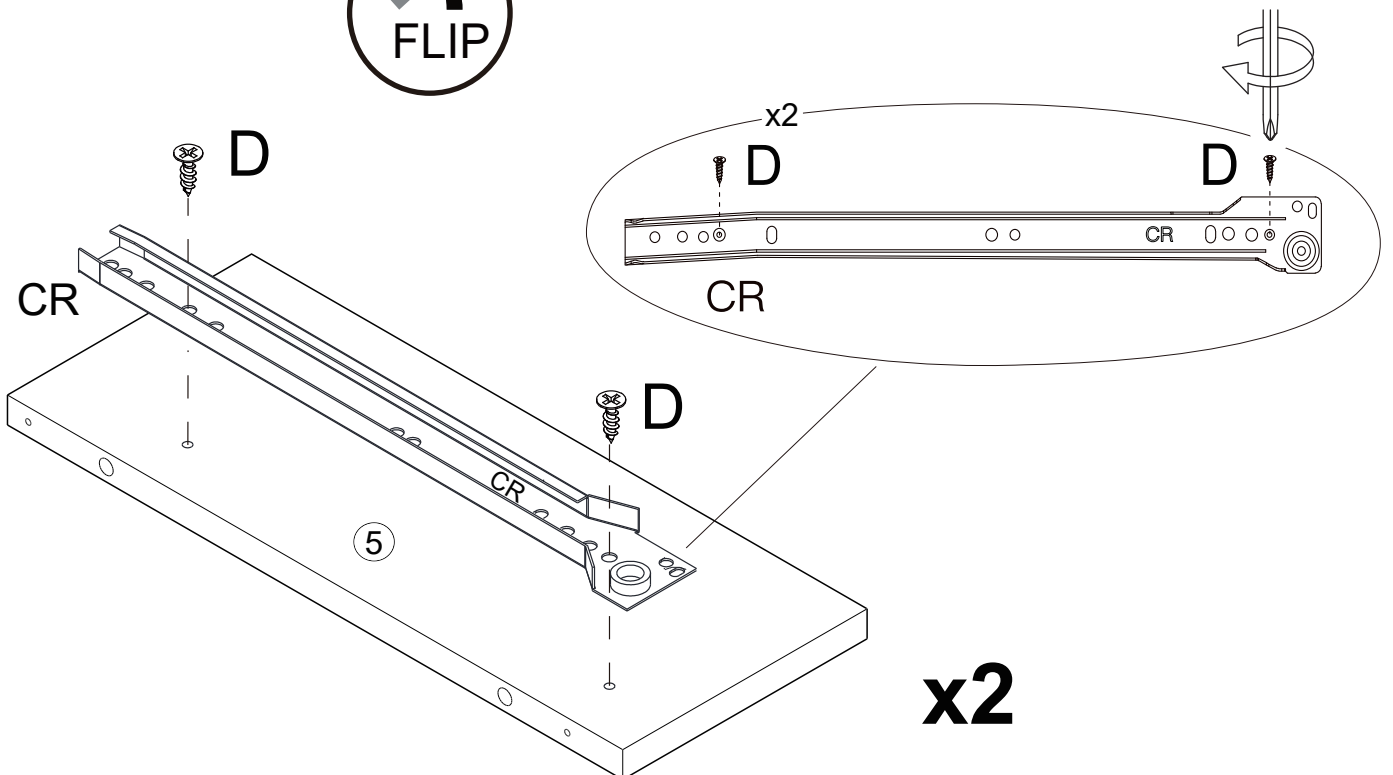
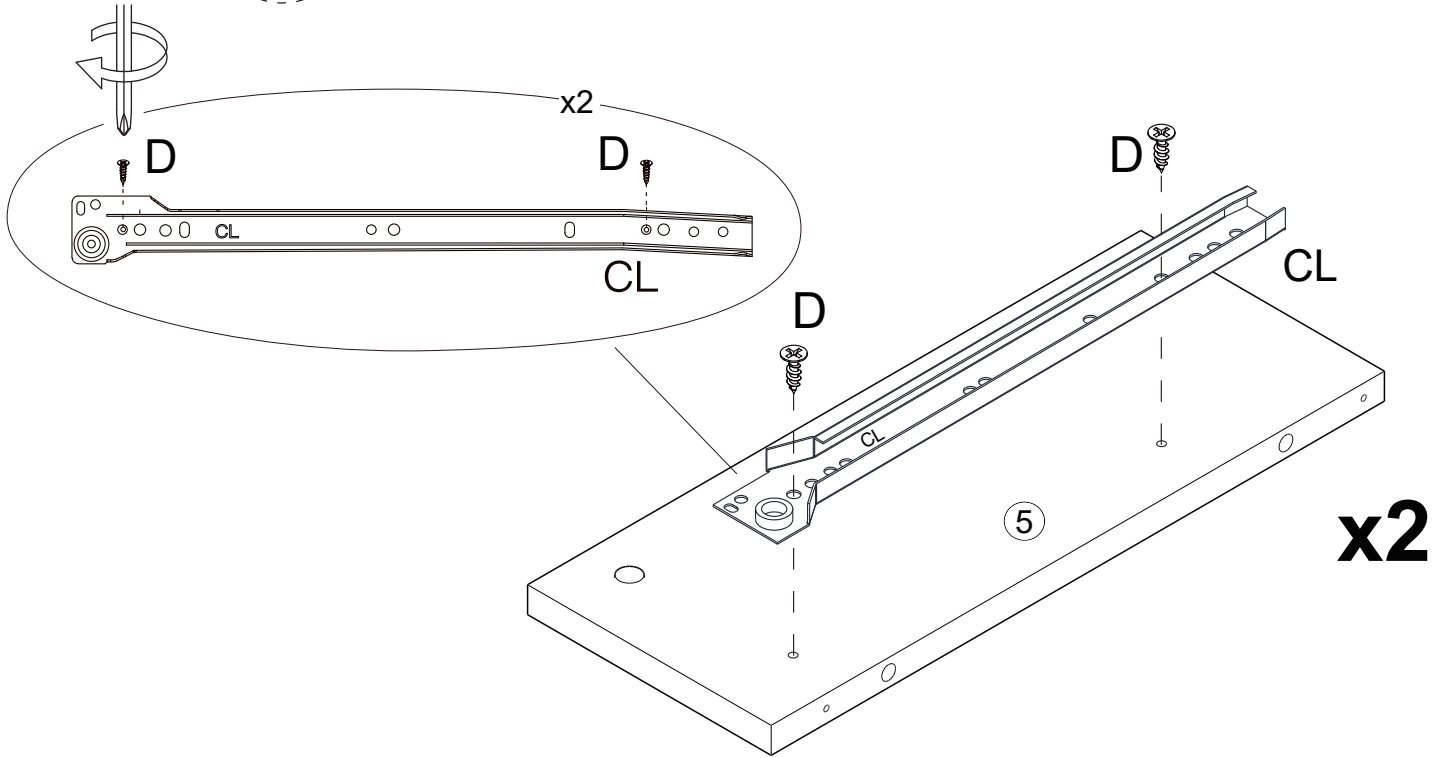
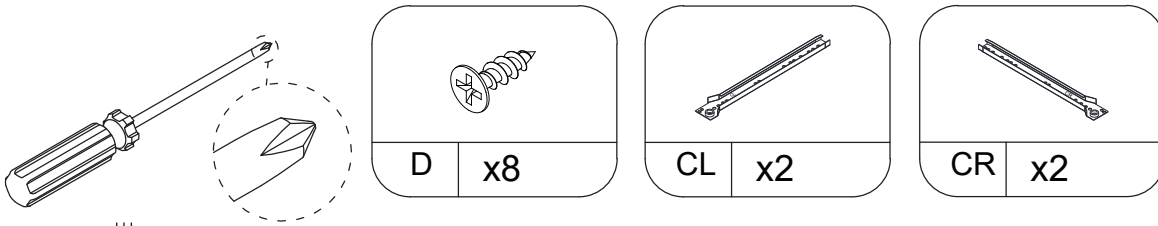
Insert the cam bolt into the hole first, then insert the cam lock and lock it.



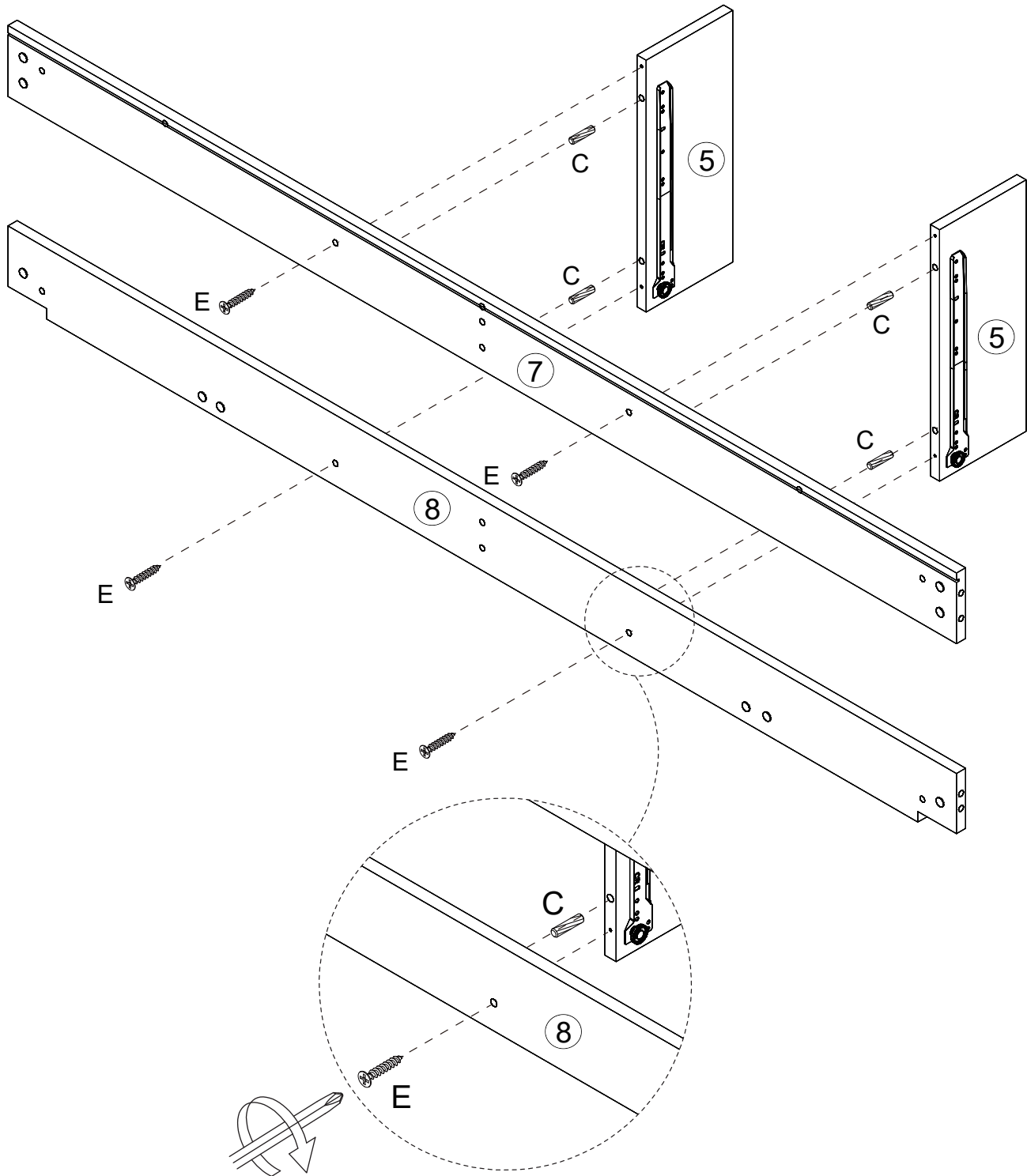
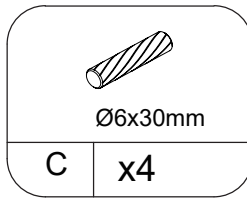
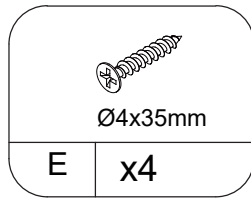
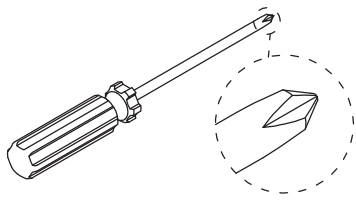
STEP 1



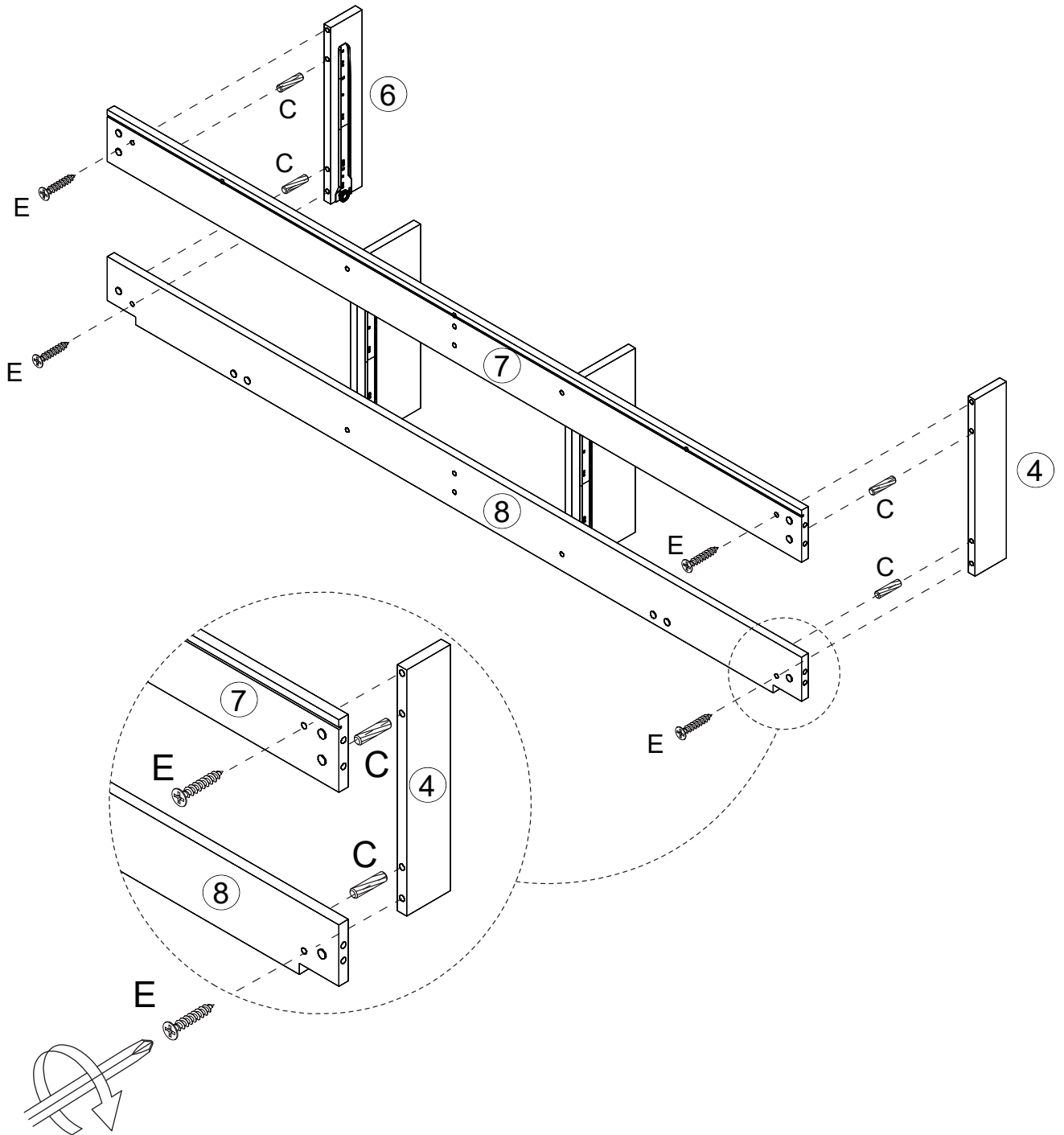
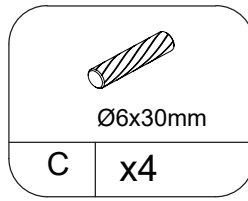
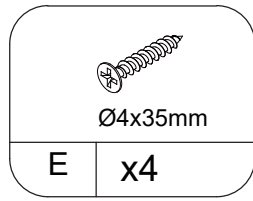
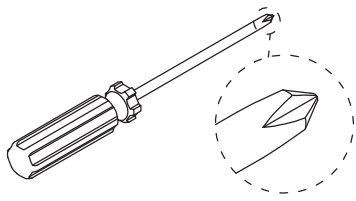
STEP 2



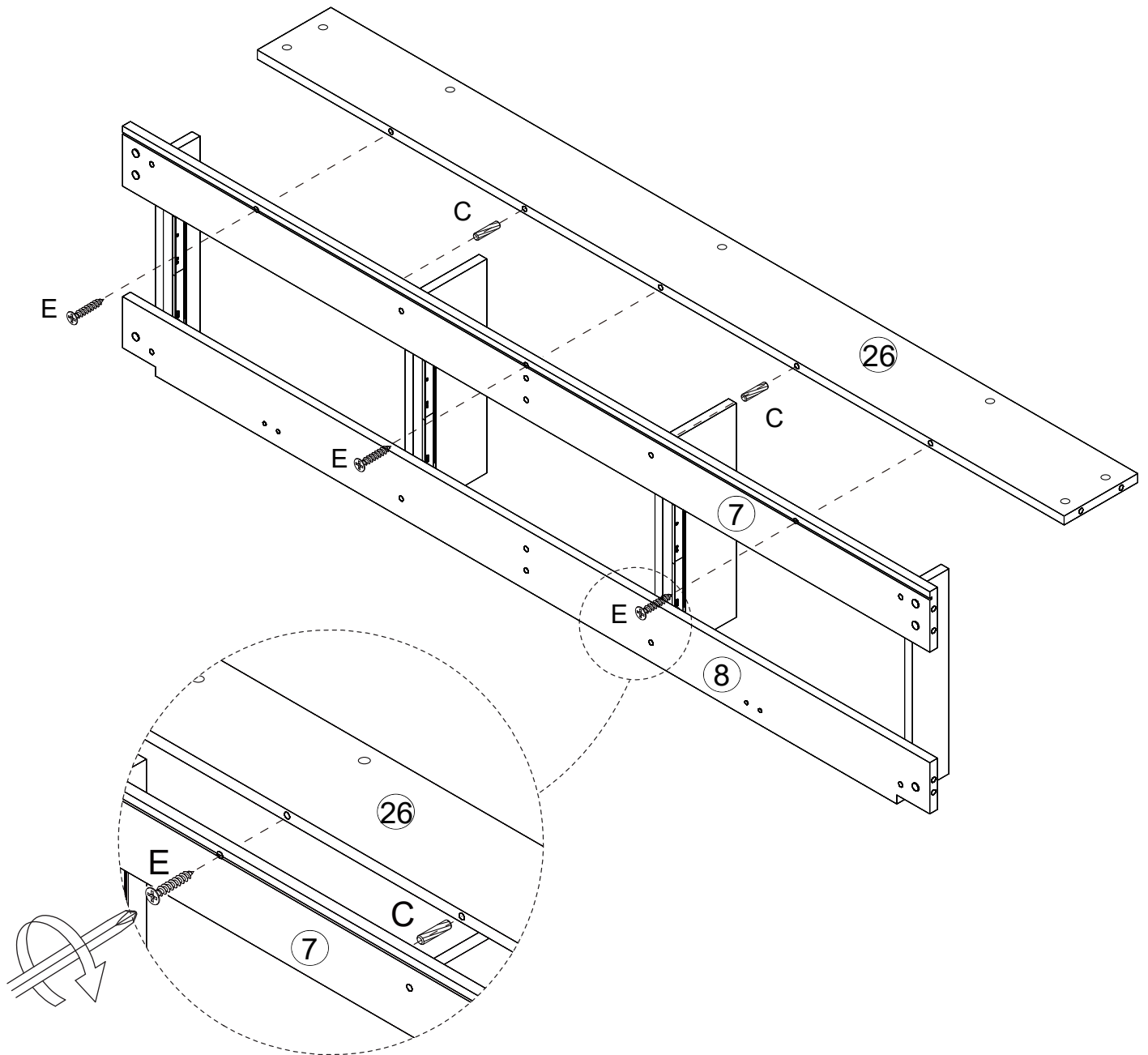
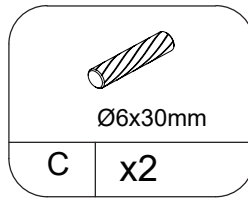
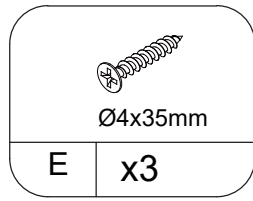
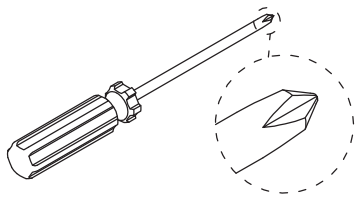
STEP 3



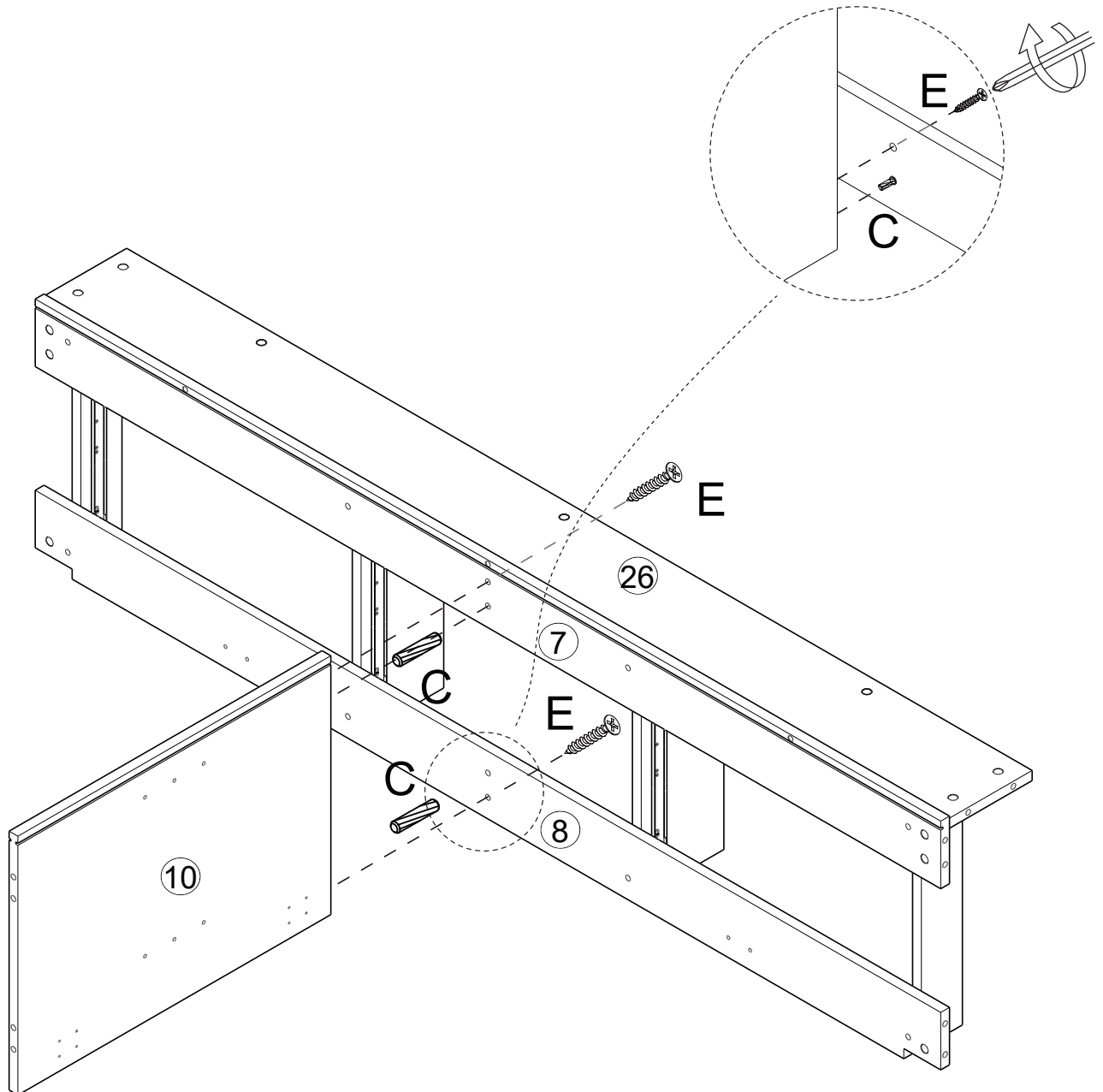
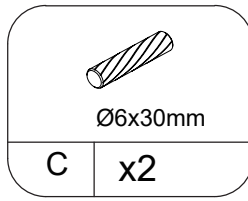
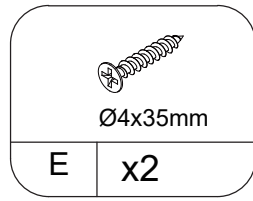
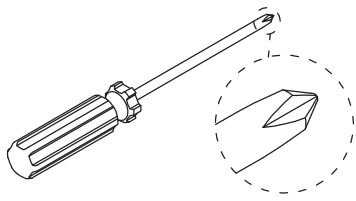
STEP 4



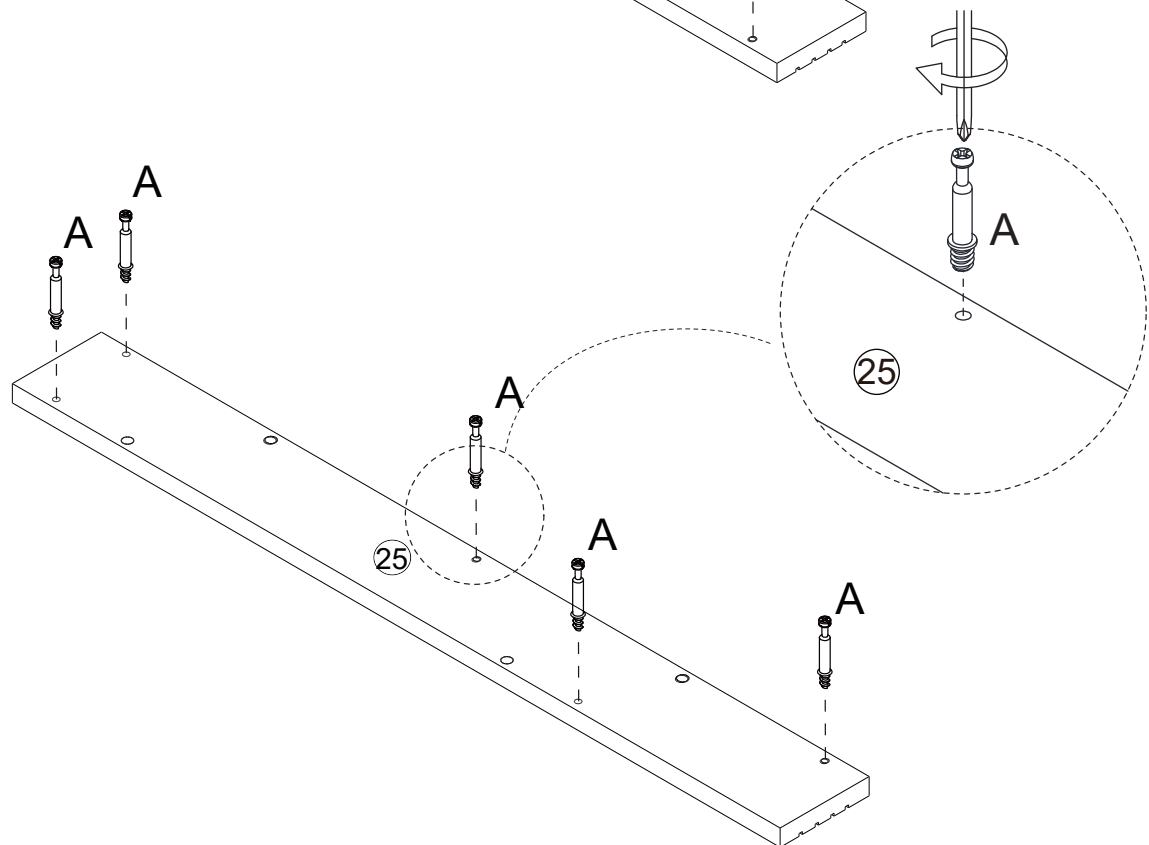
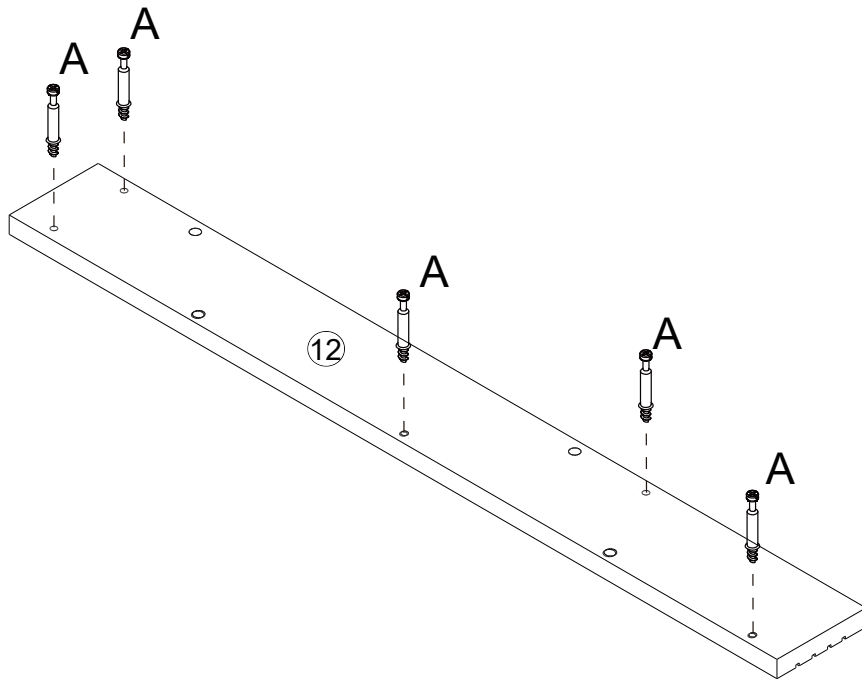
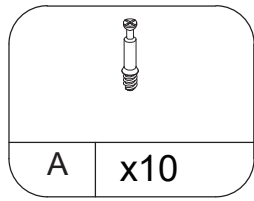
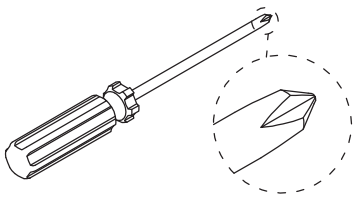
STEP 5



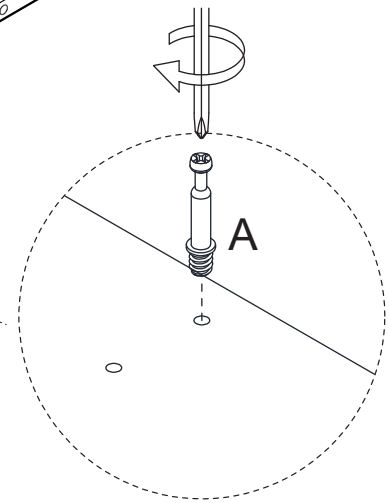
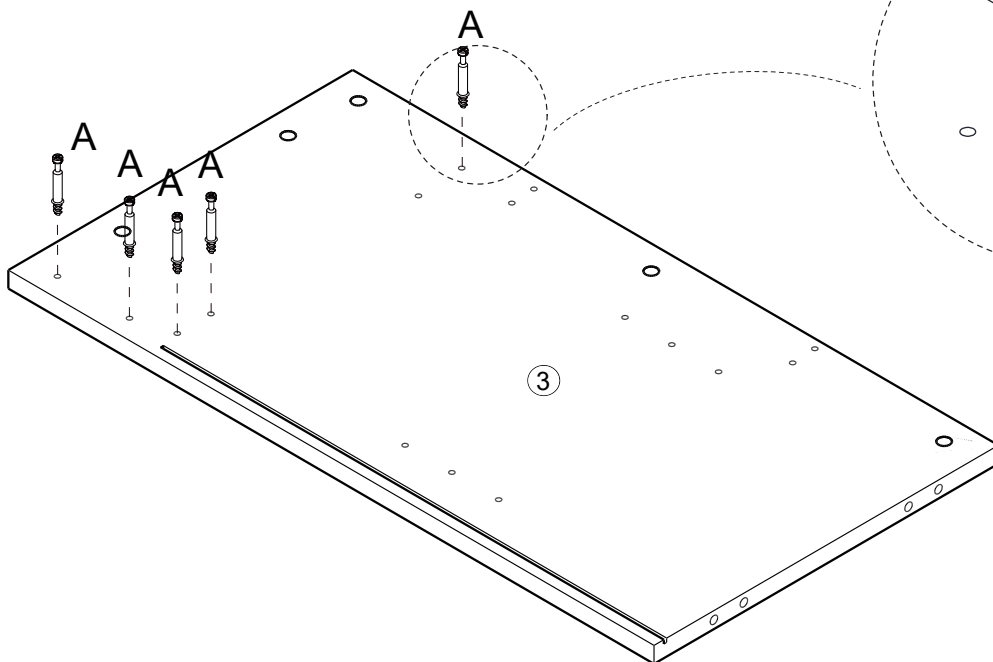
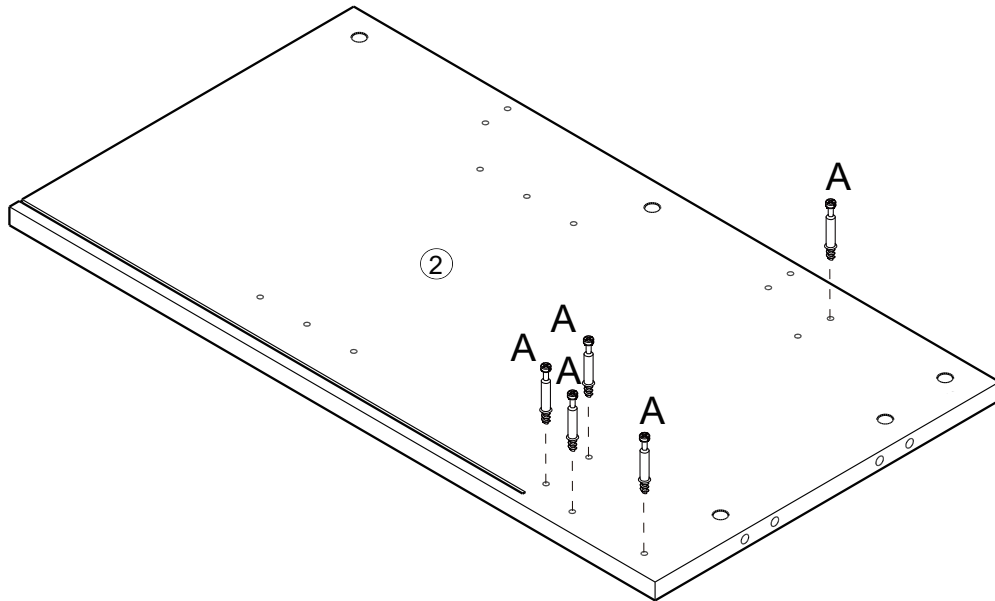
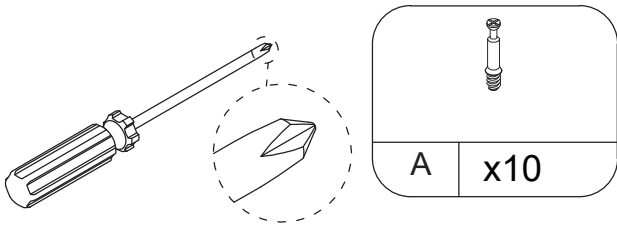
STEP 6



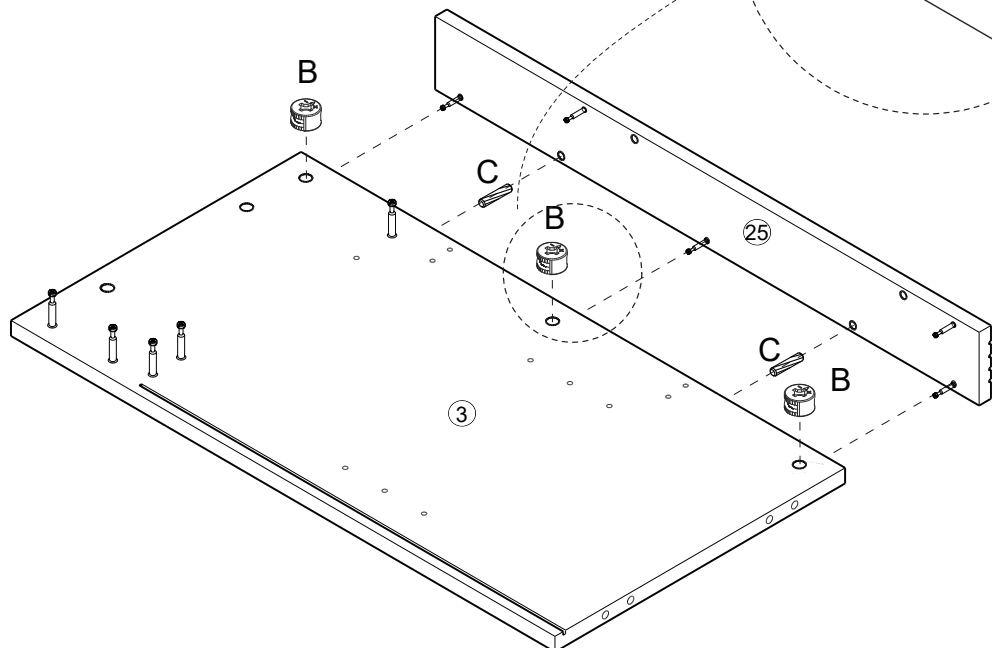
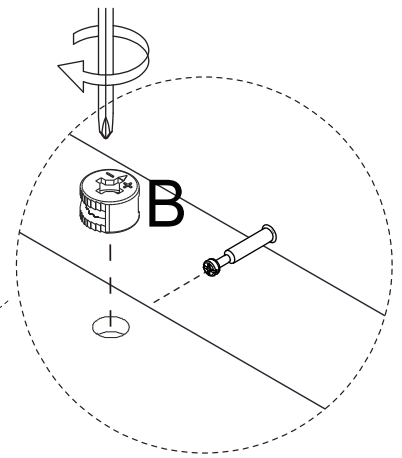
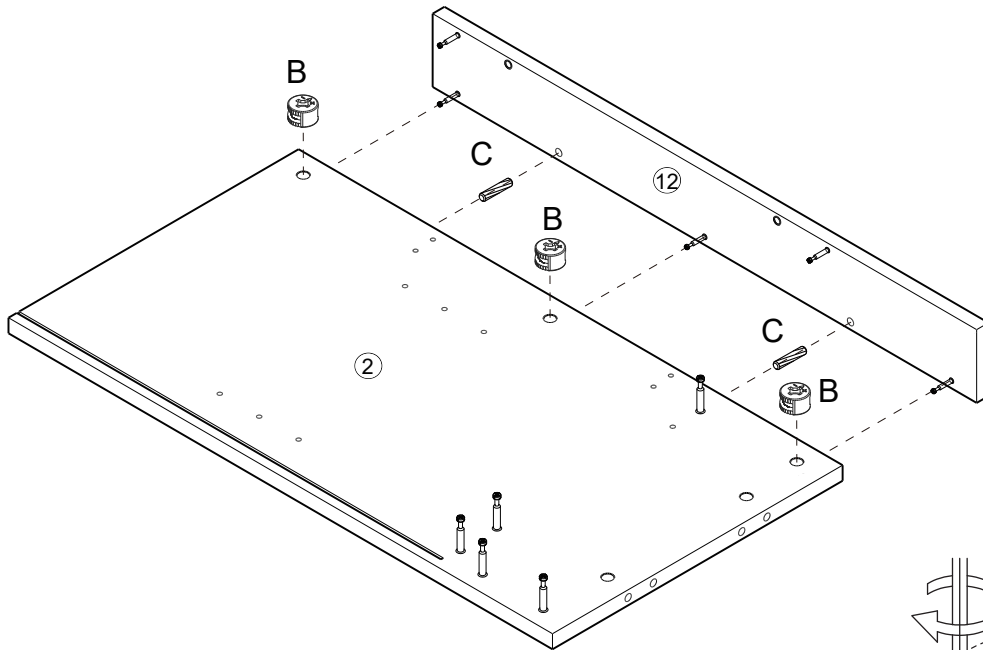
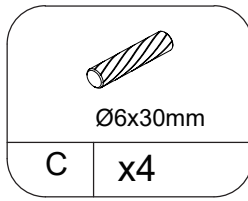
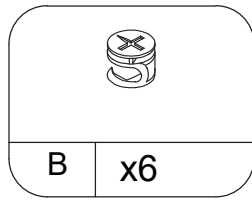
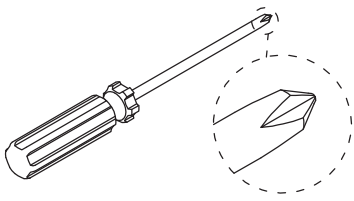
STEP 7



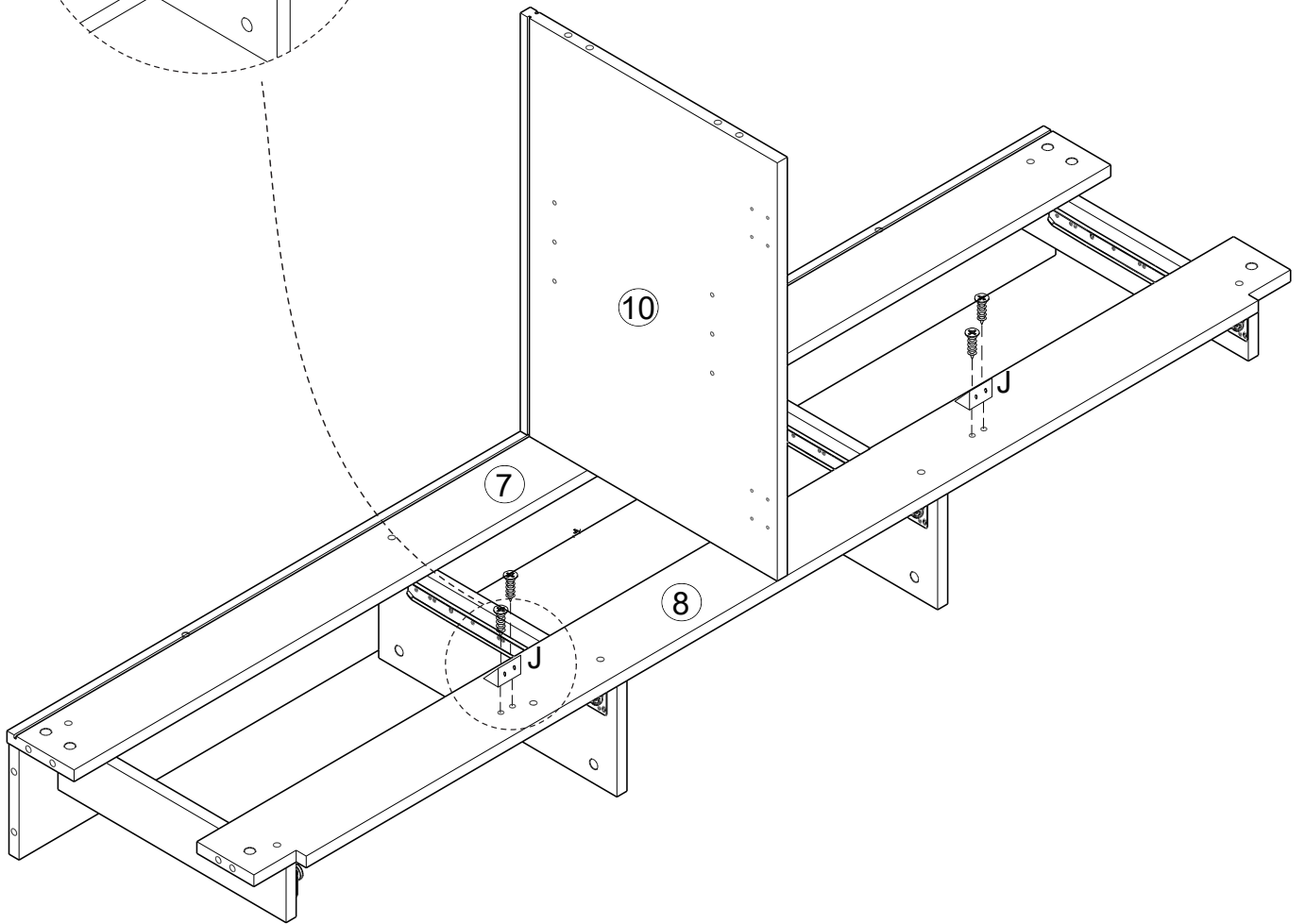
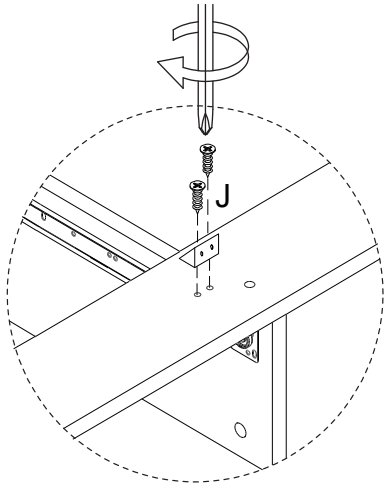
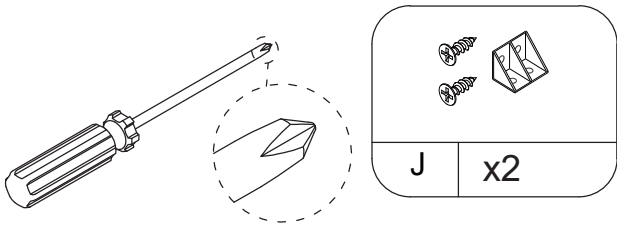
STEP 8



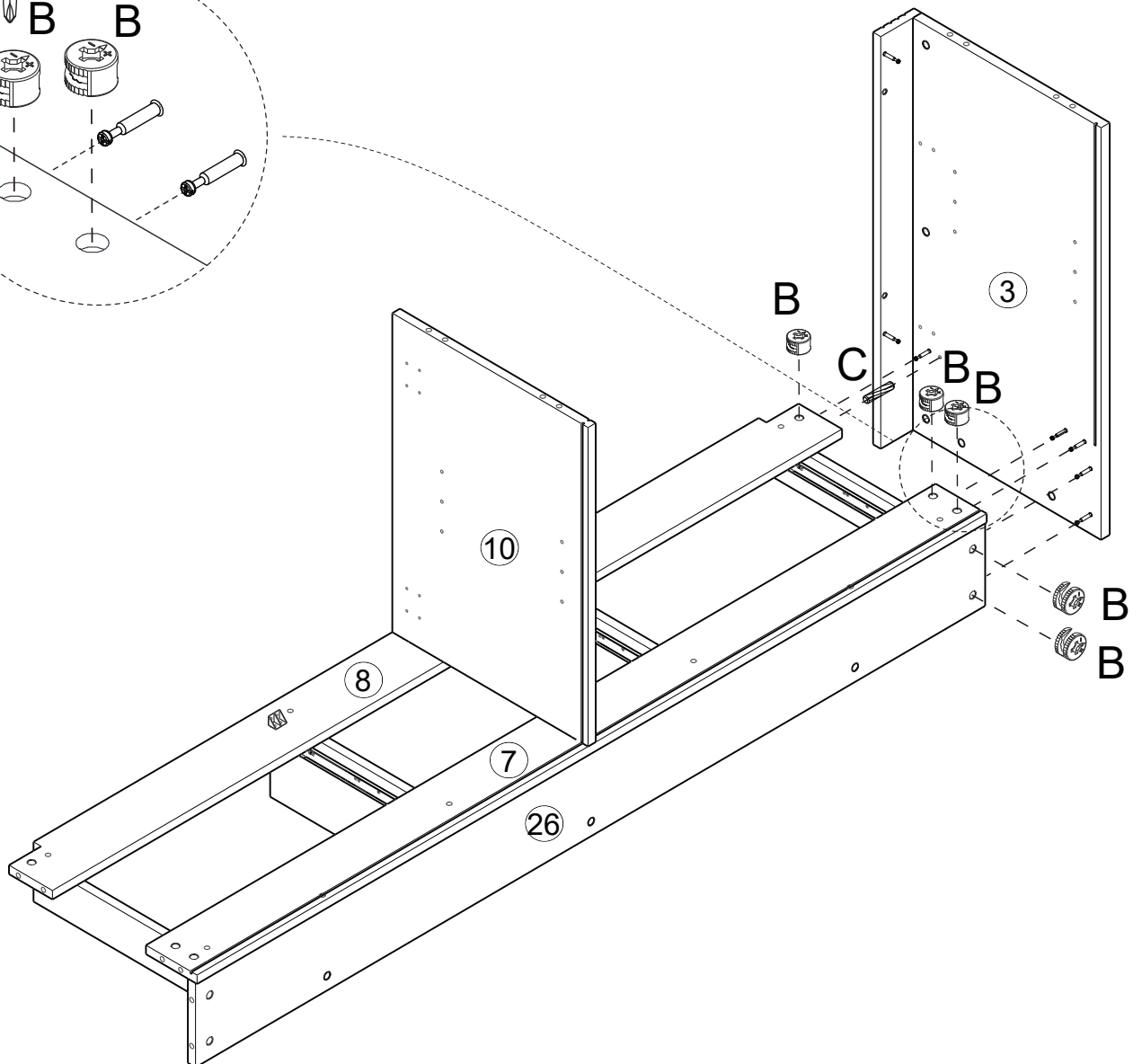
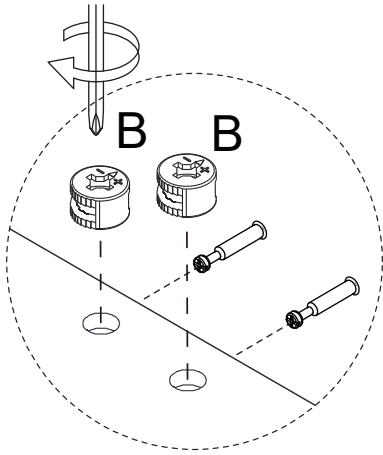
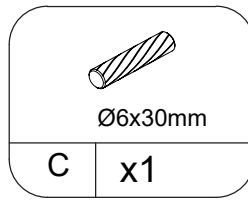
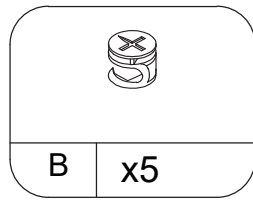
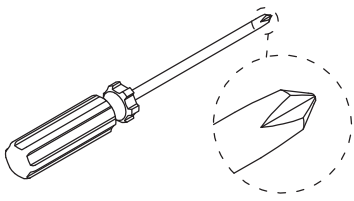
STEP 9



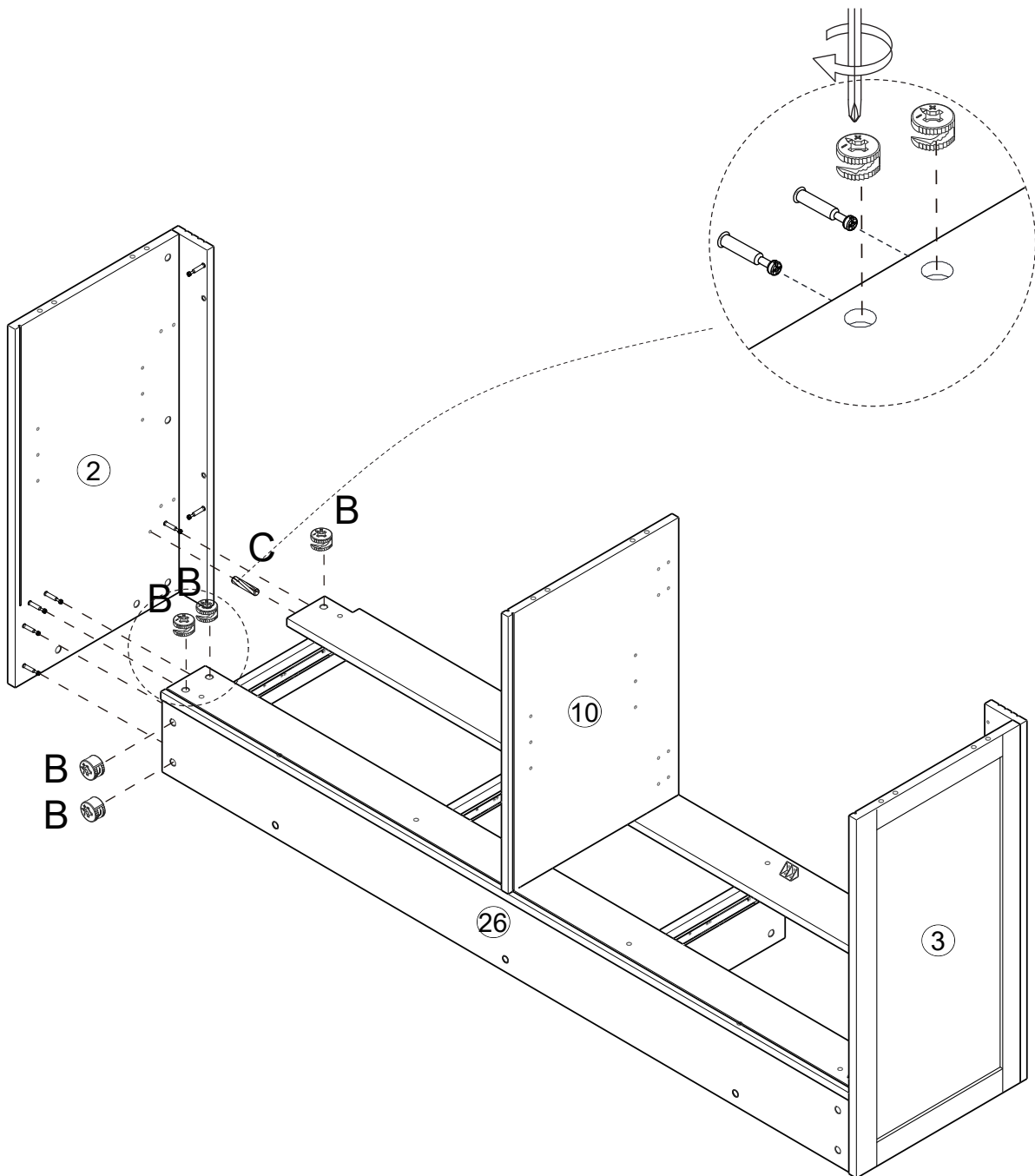
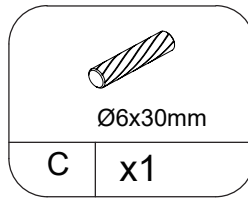
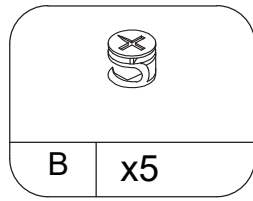
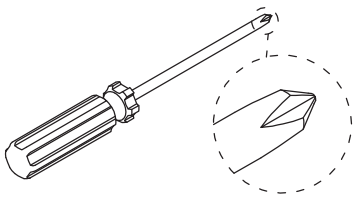
STEP 10



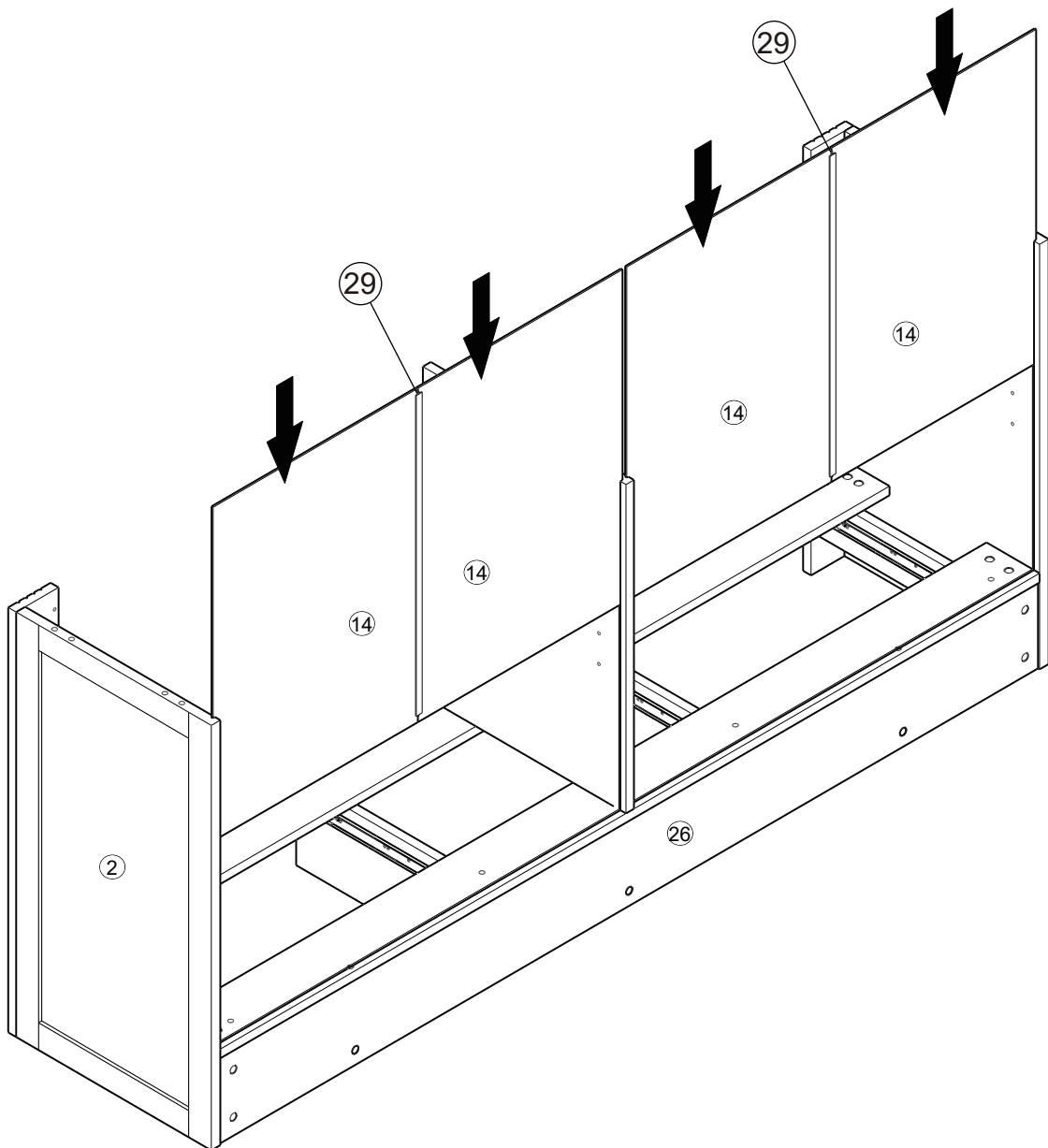
STEP 11



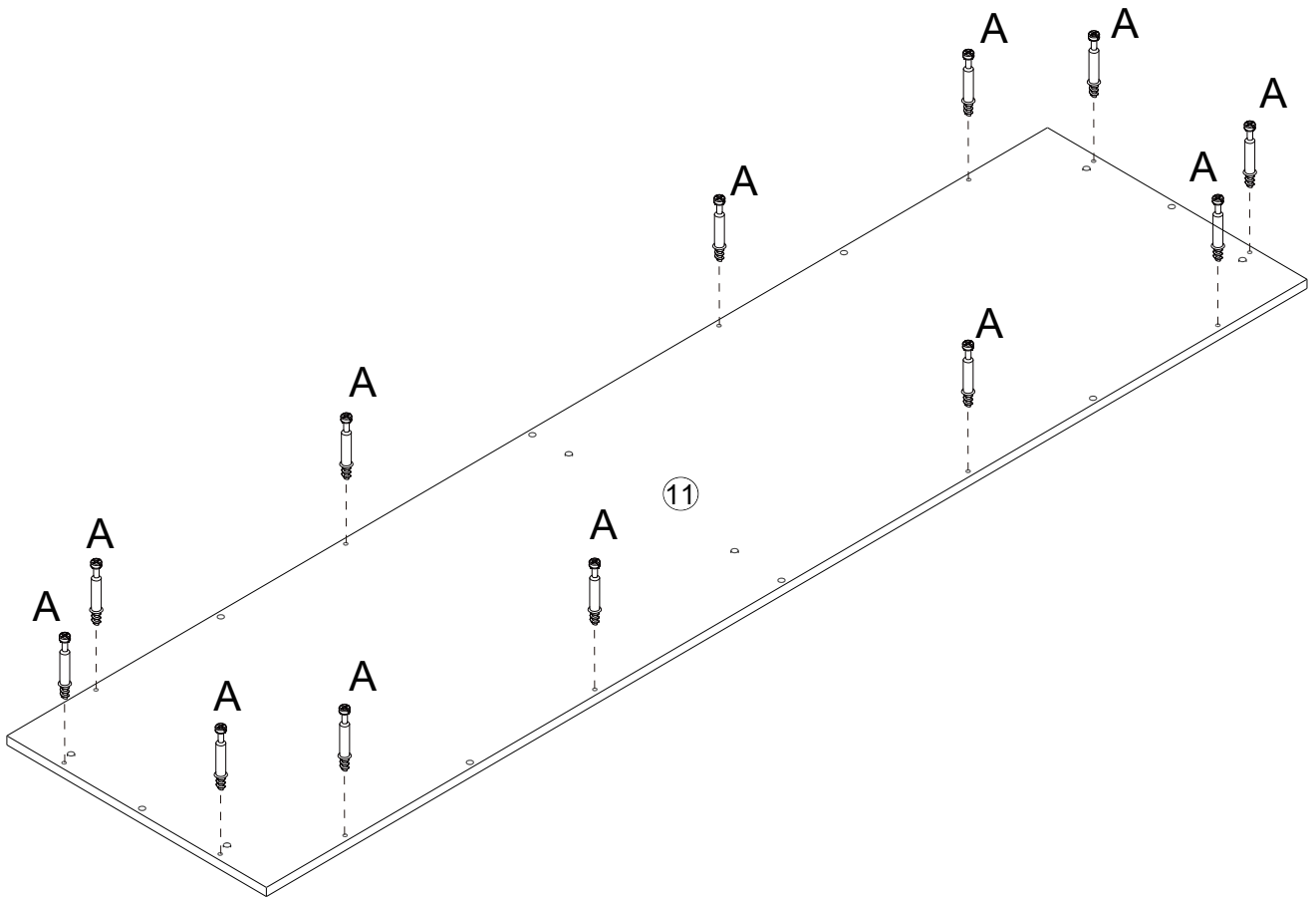
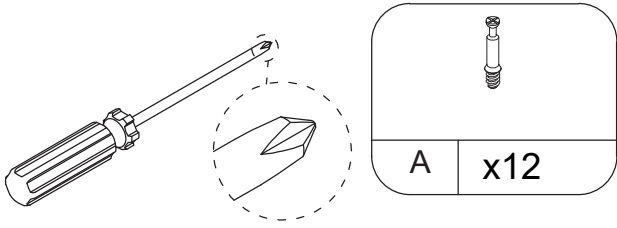
STEP 12



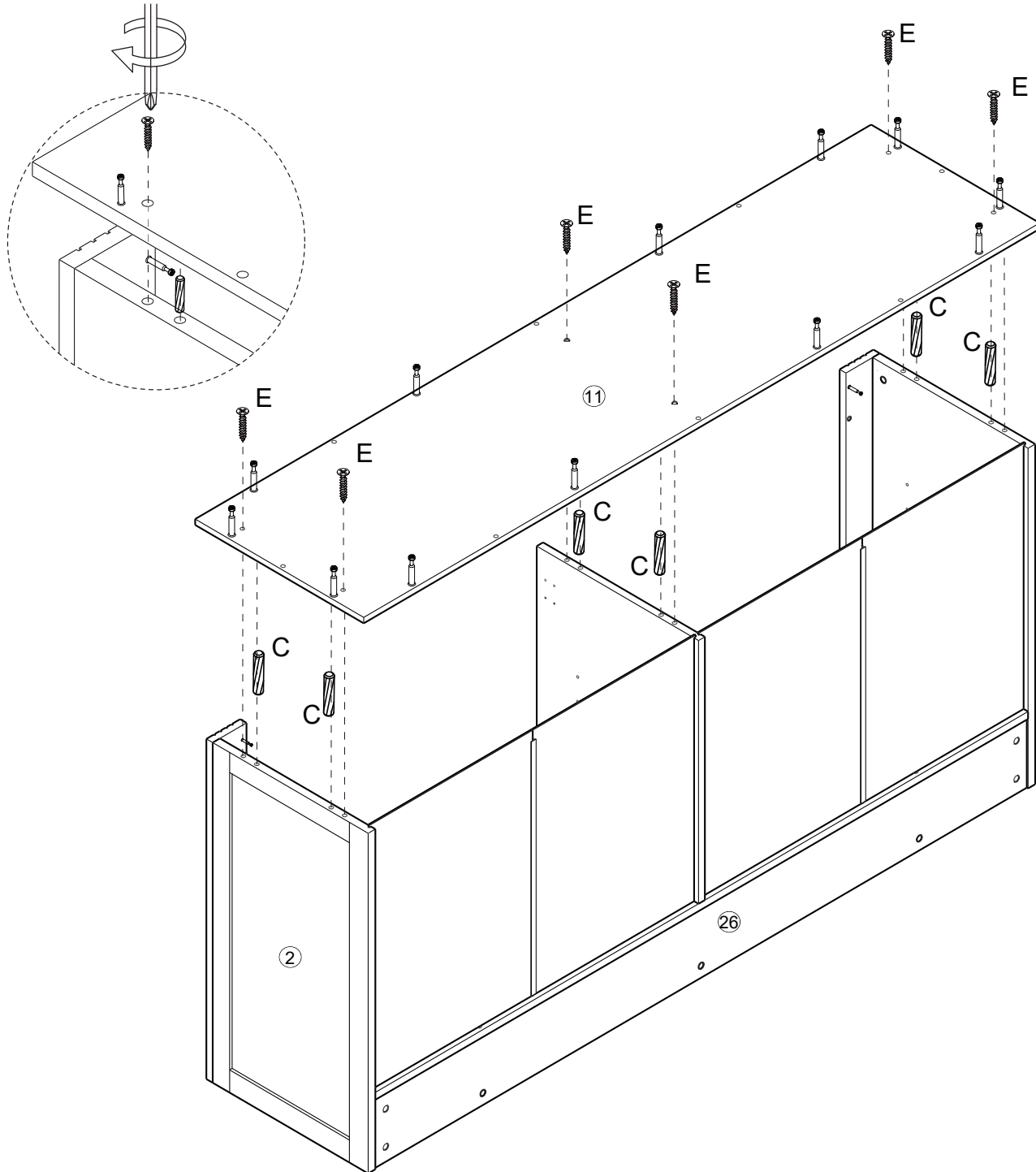
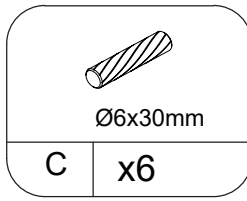
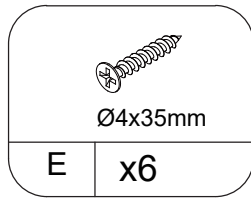
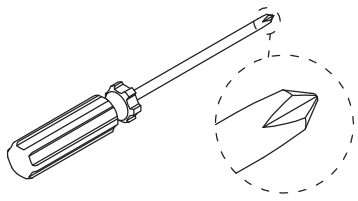
STEP 13



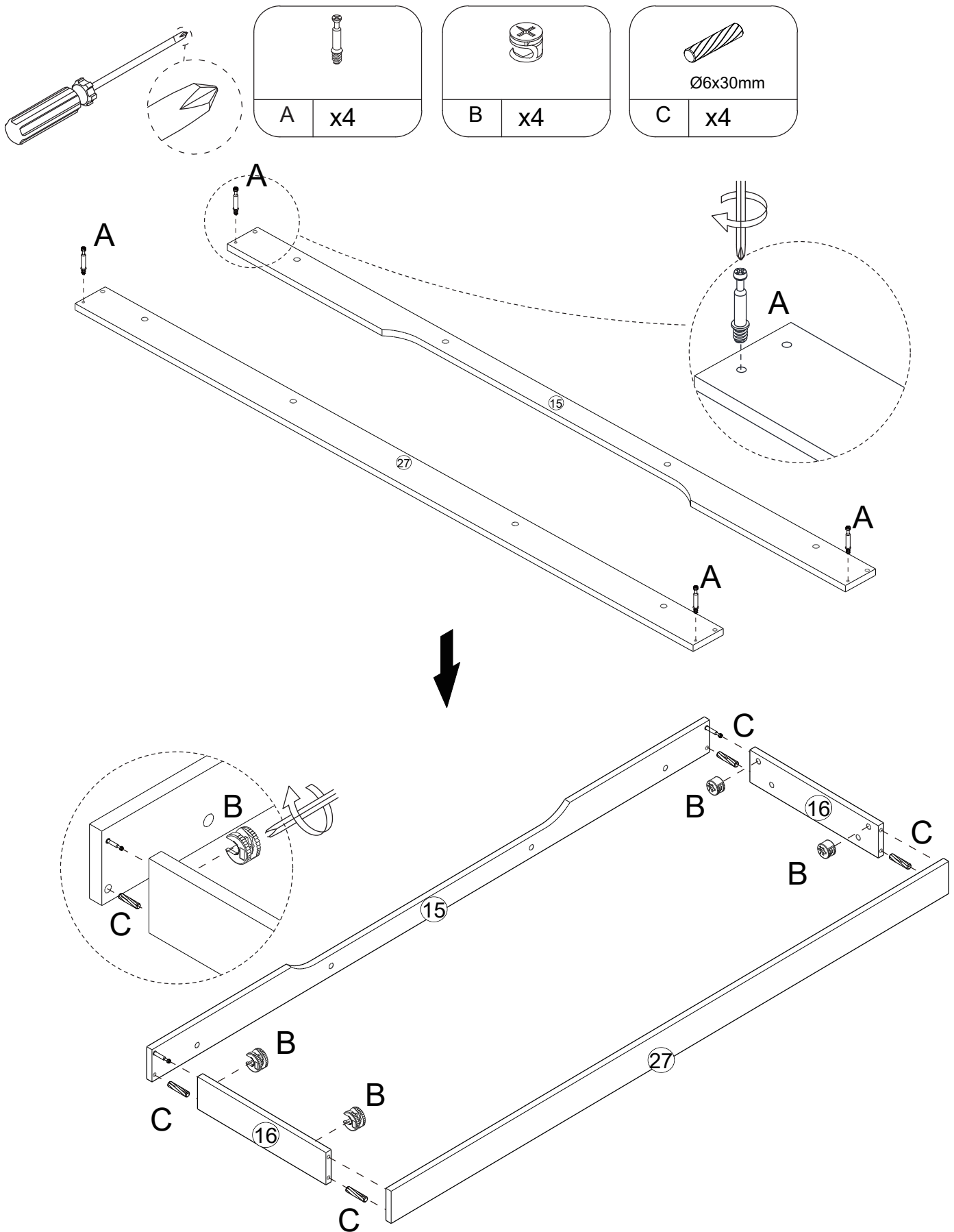
STEP 14



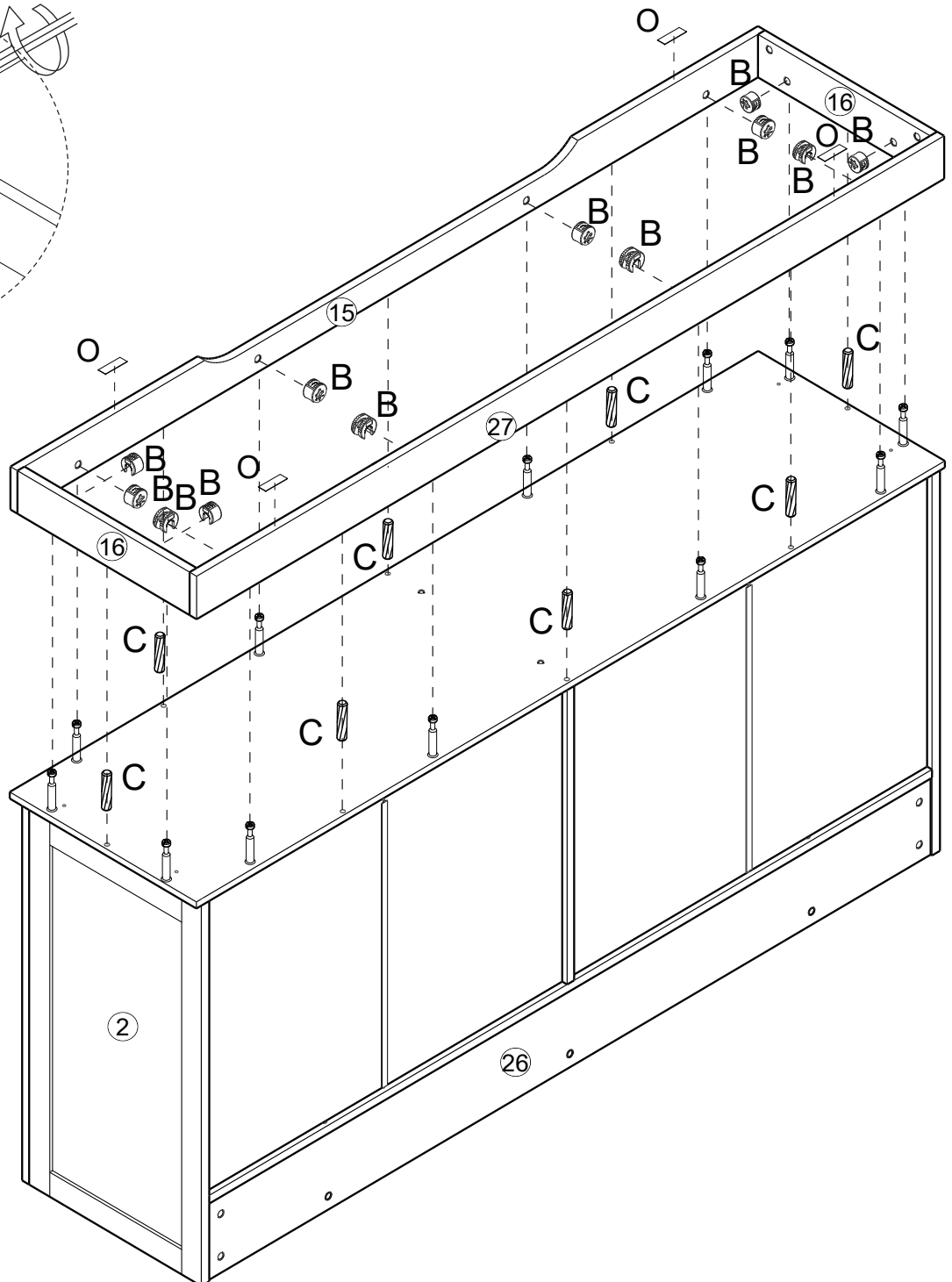
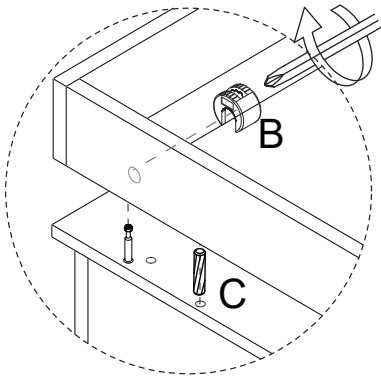
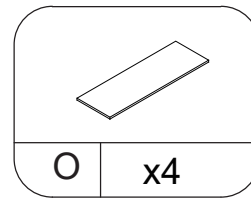
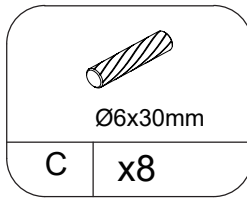
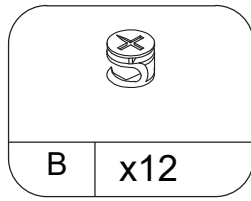
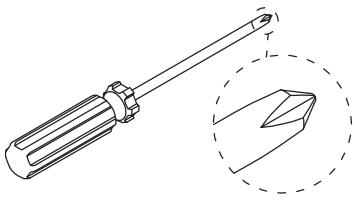
STEP 15



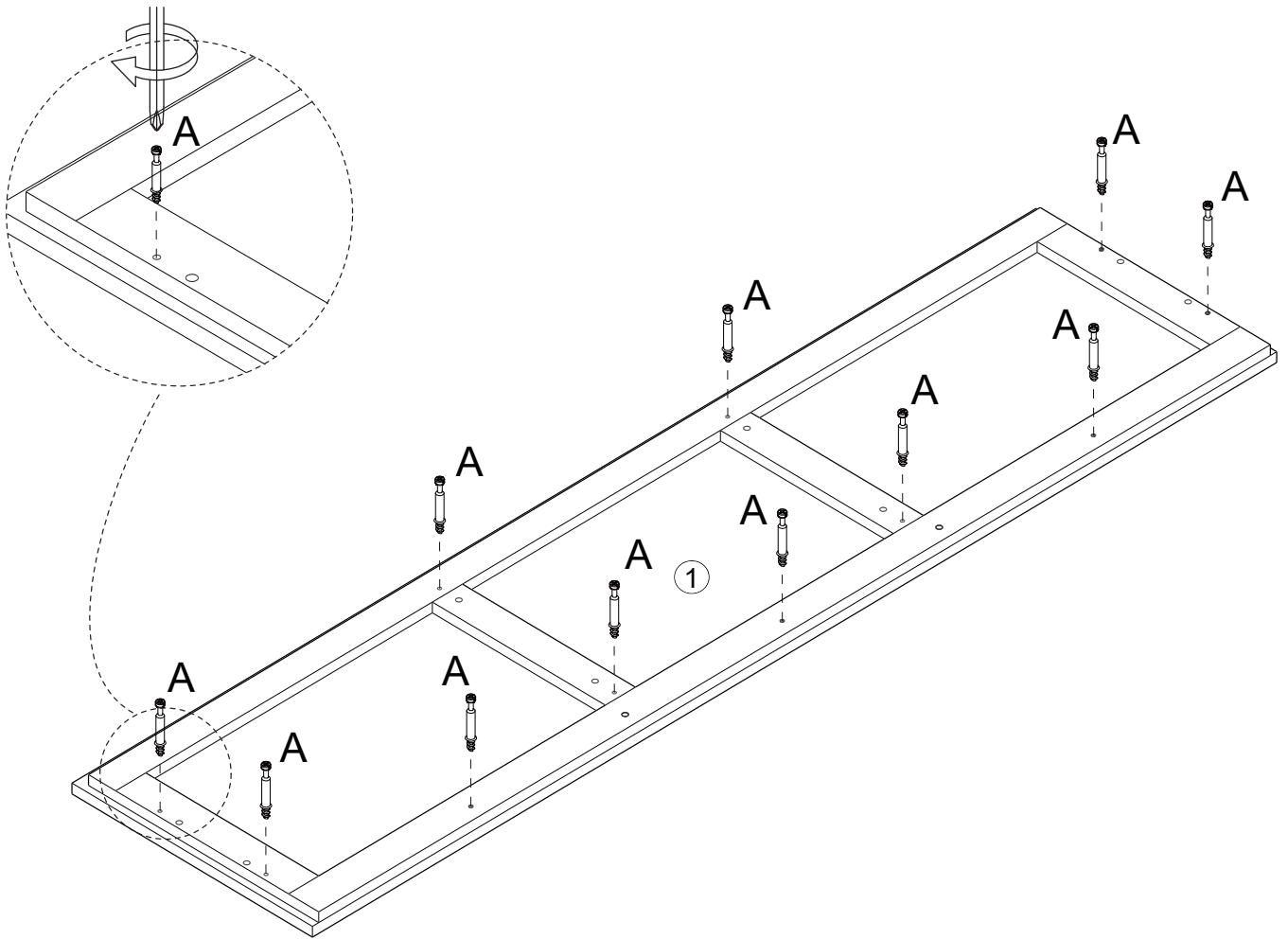
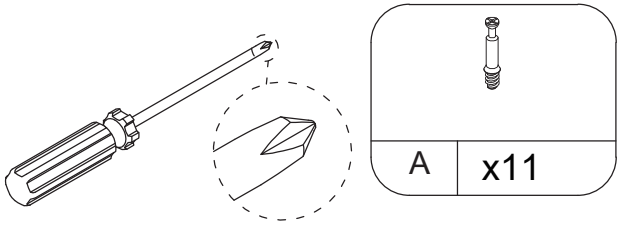
STEP 16



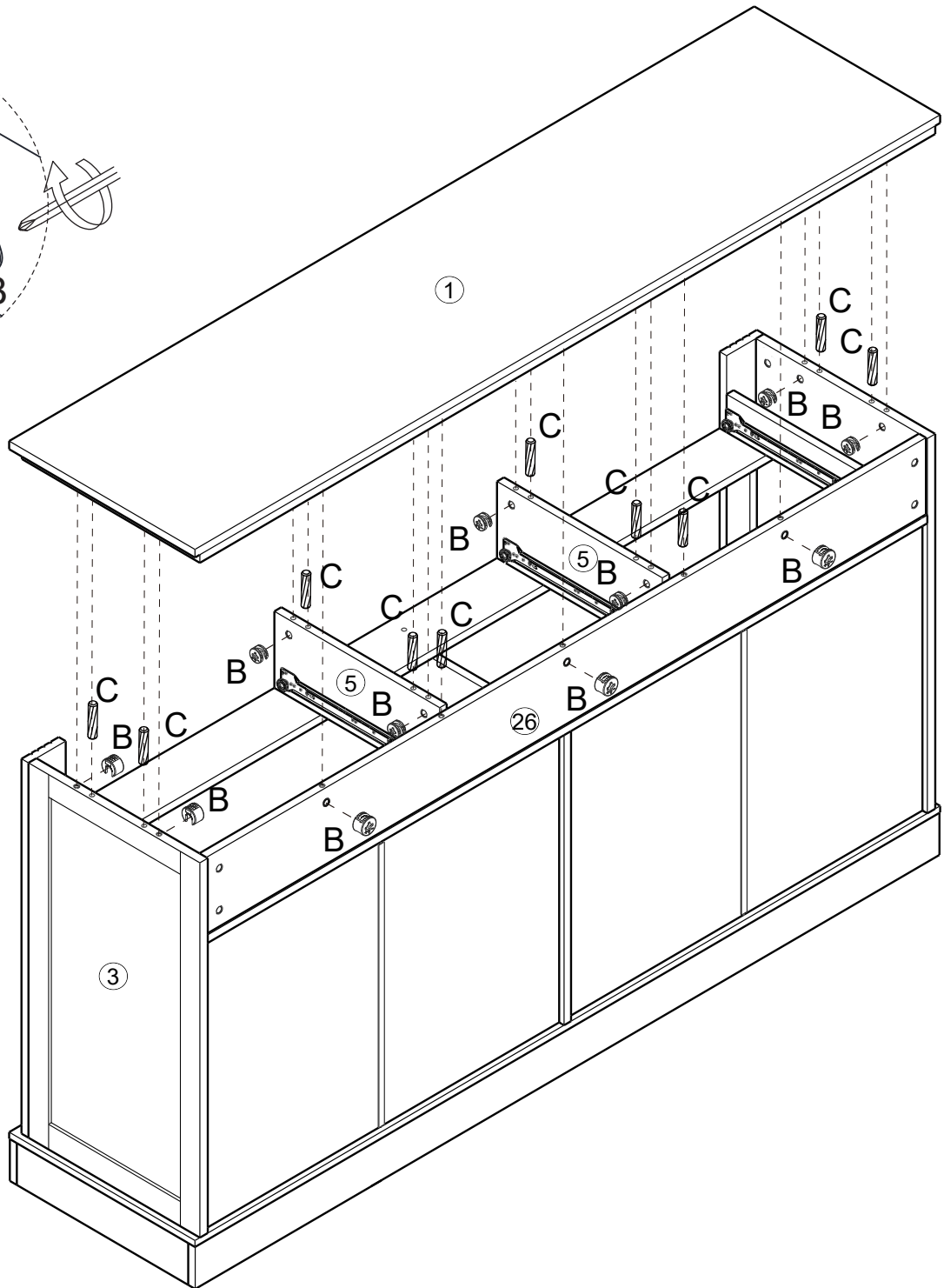
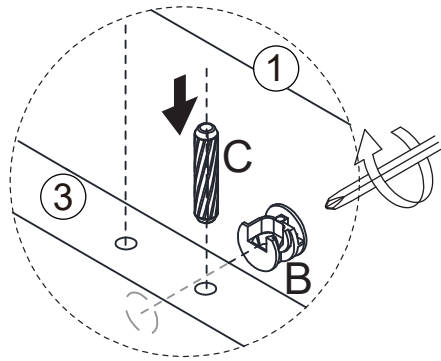
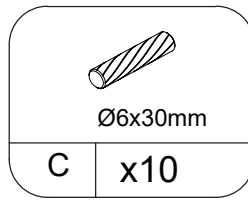
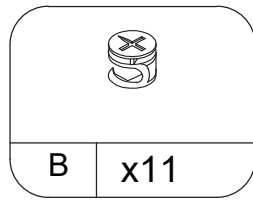
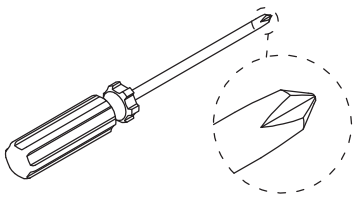
STEP 17



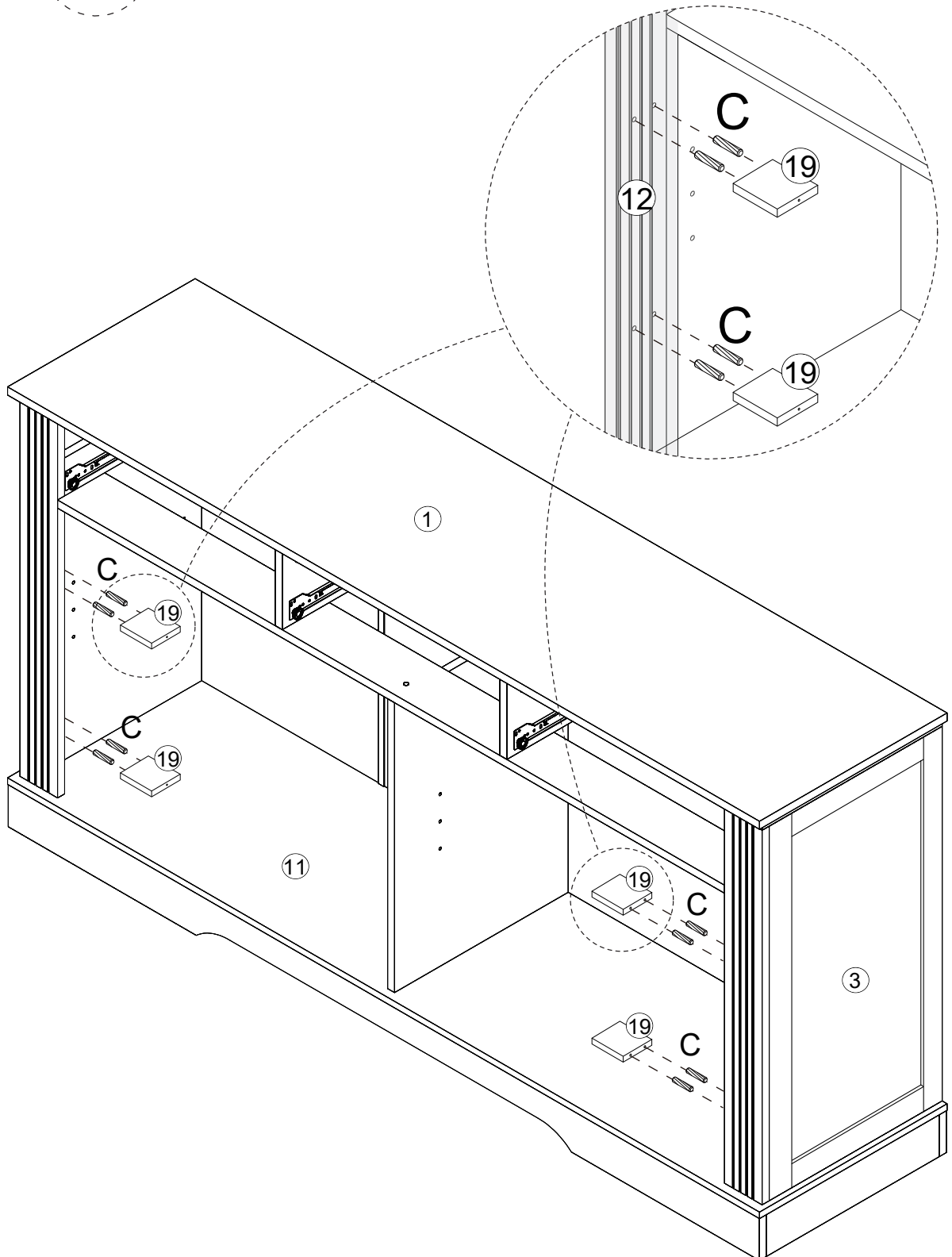
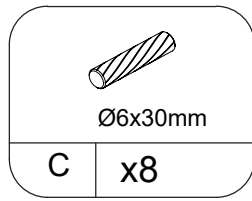
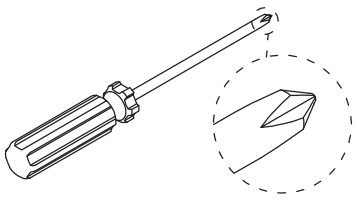
STEP 18



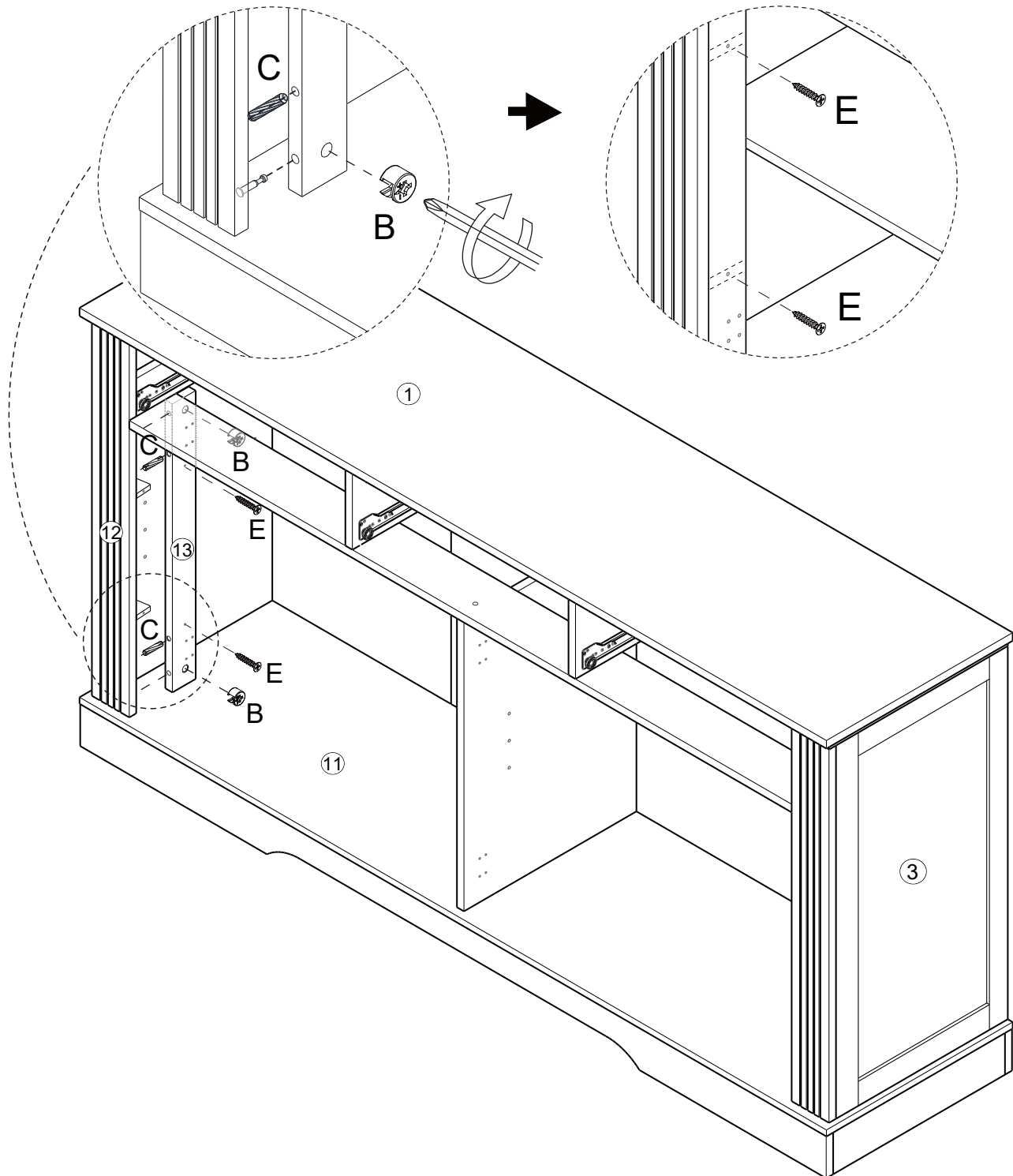
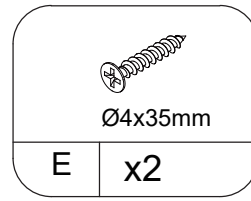
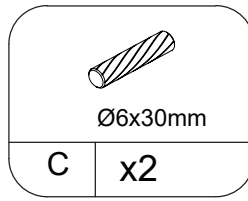
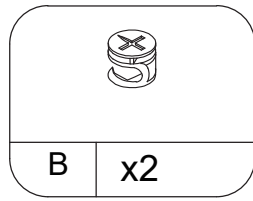
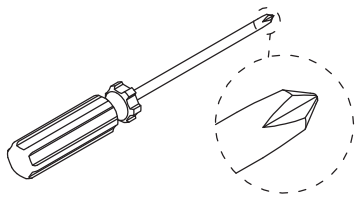
STEP 19



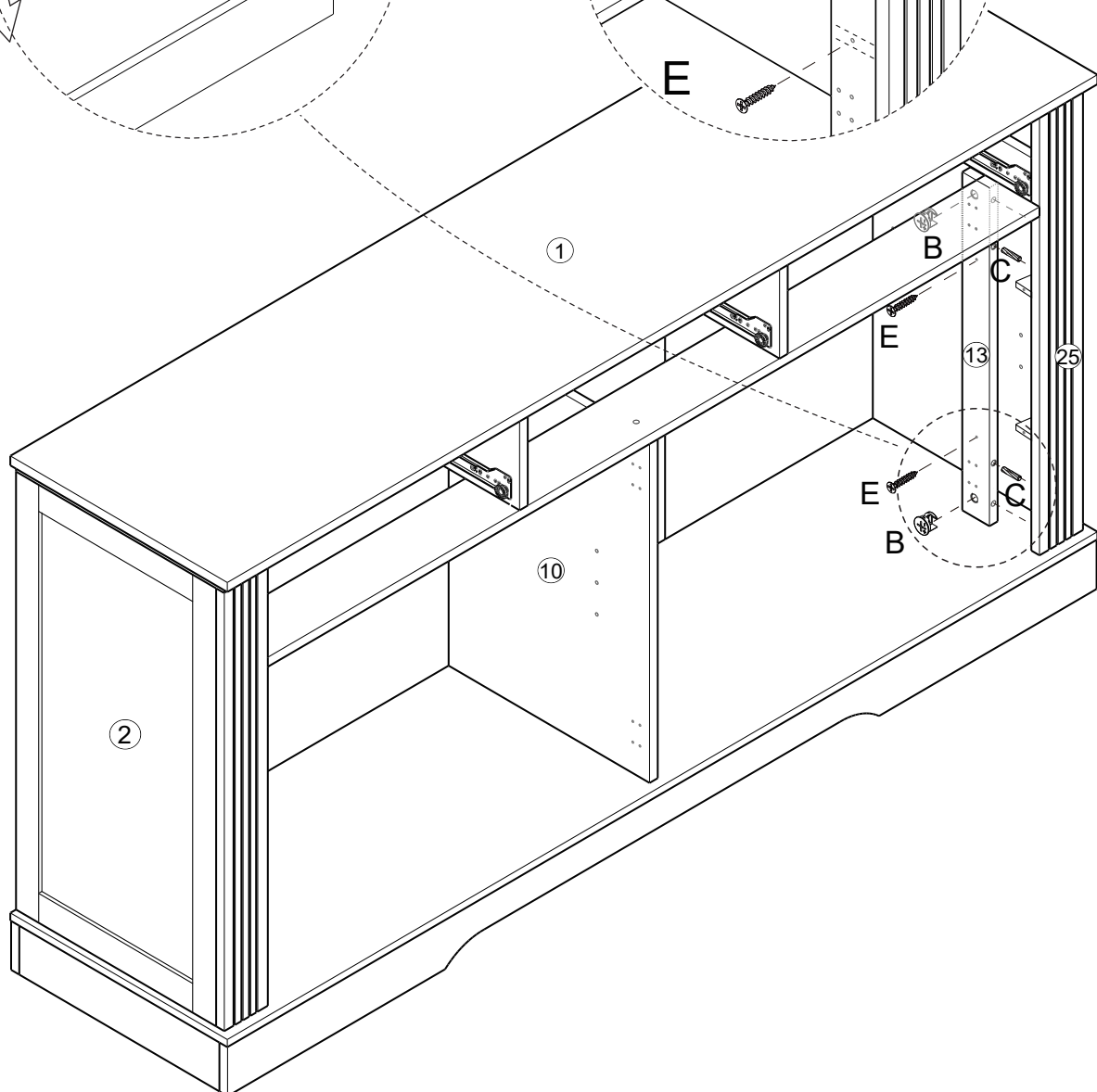
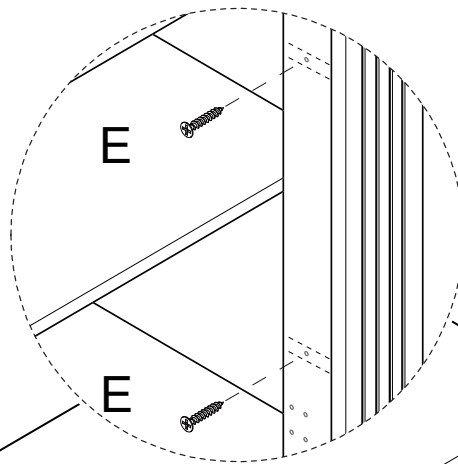
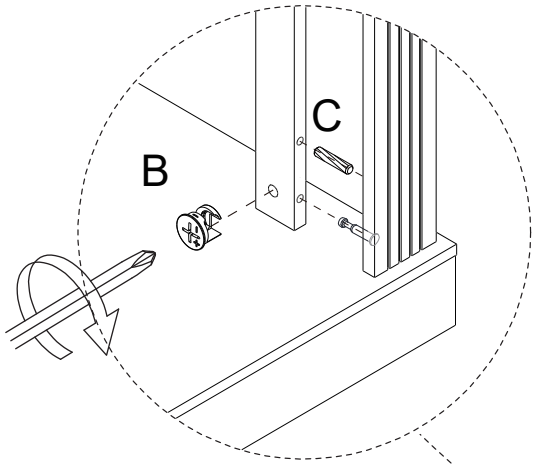
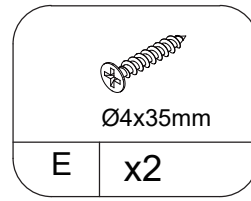
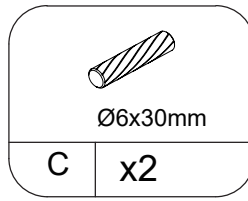
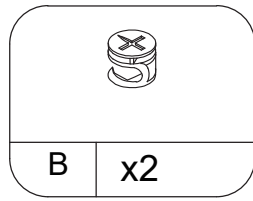
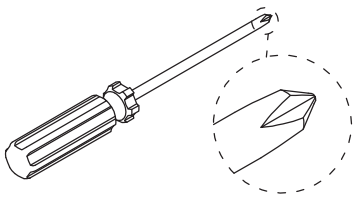
STEP 20



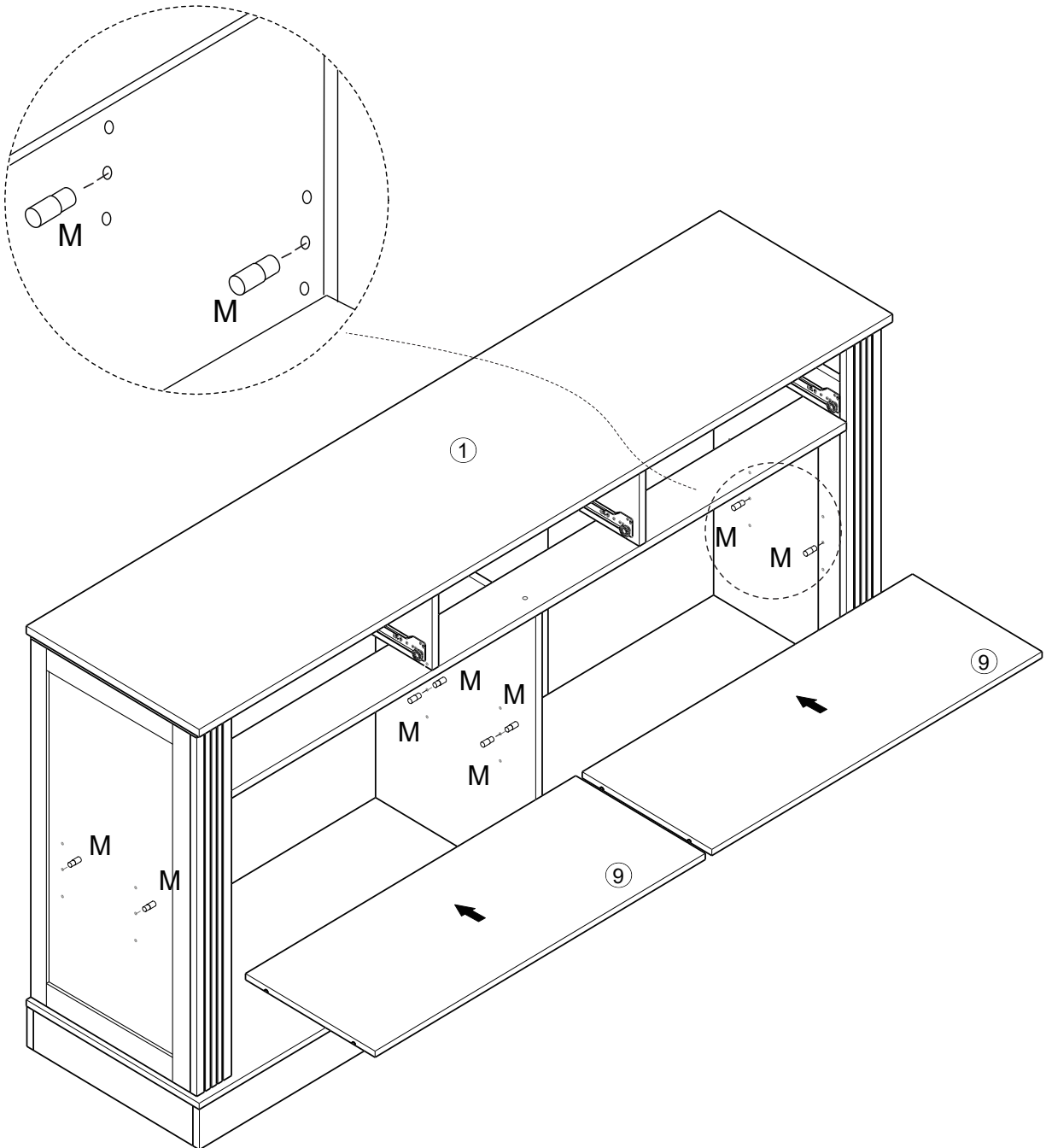
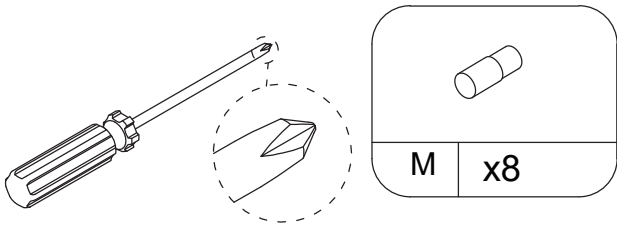
STEP 21



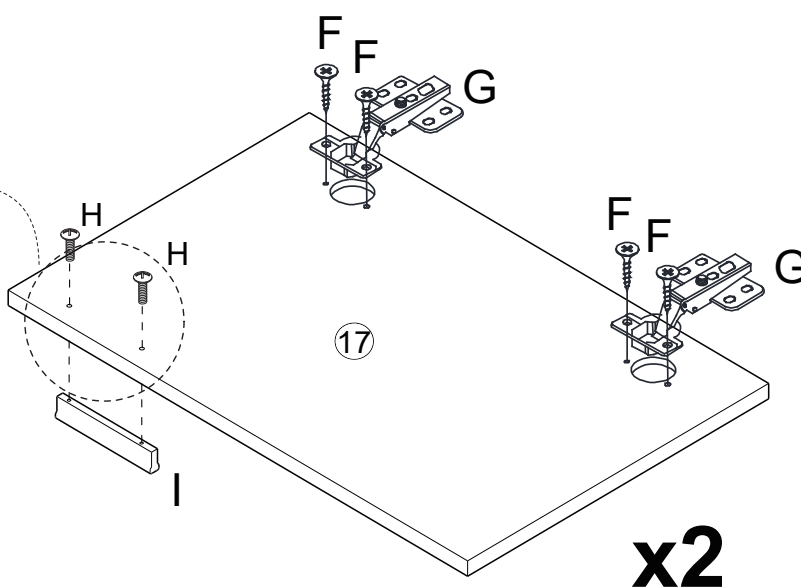
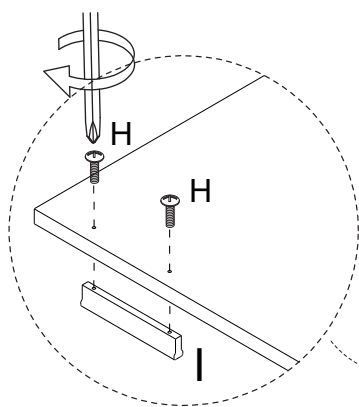
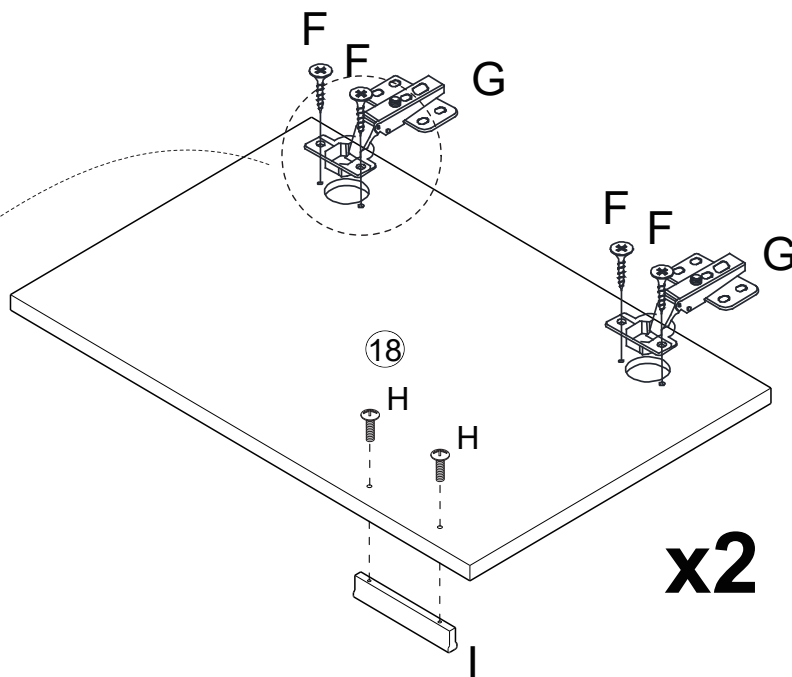
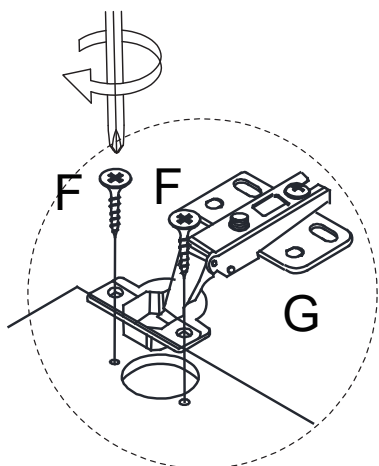
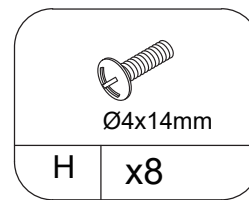
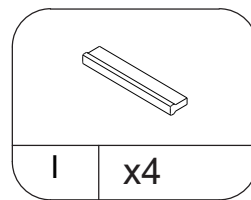
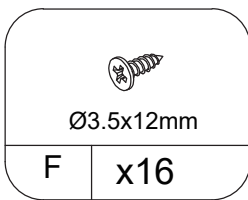
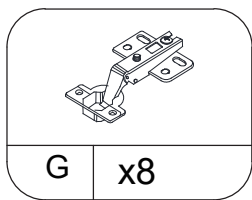
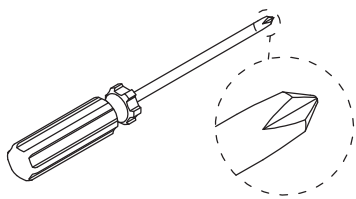
STEP 22



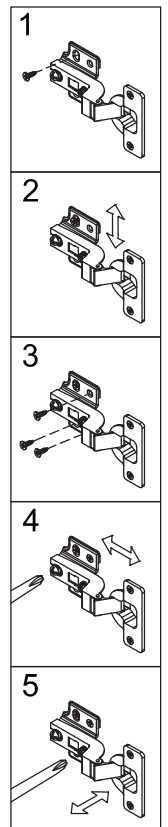
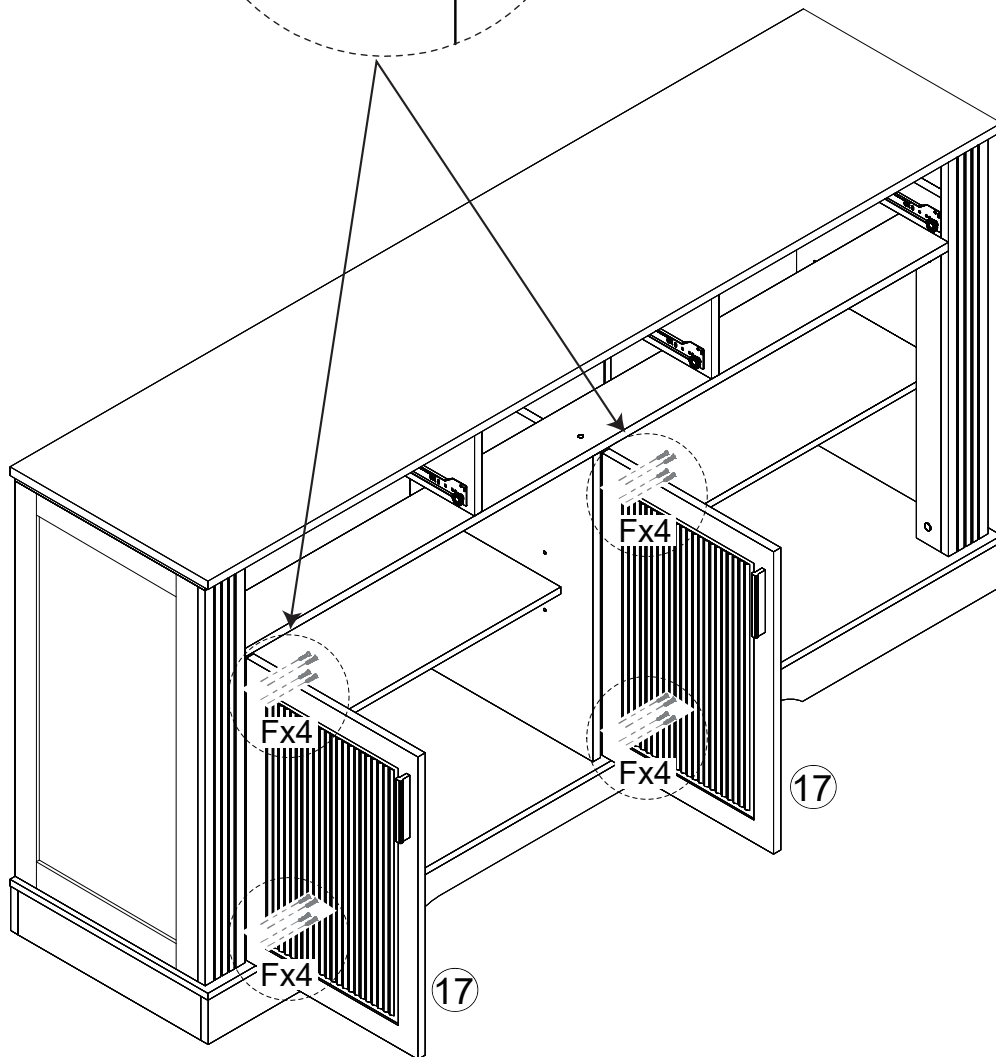
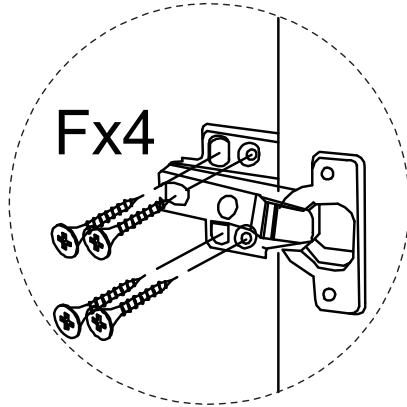
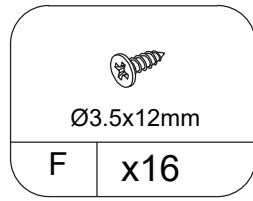
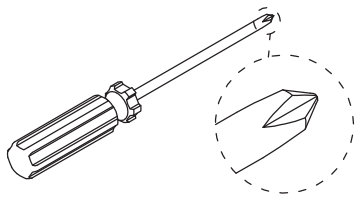
STEP 23



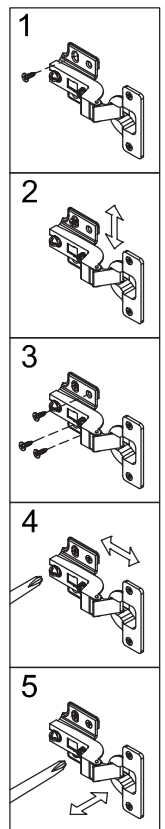
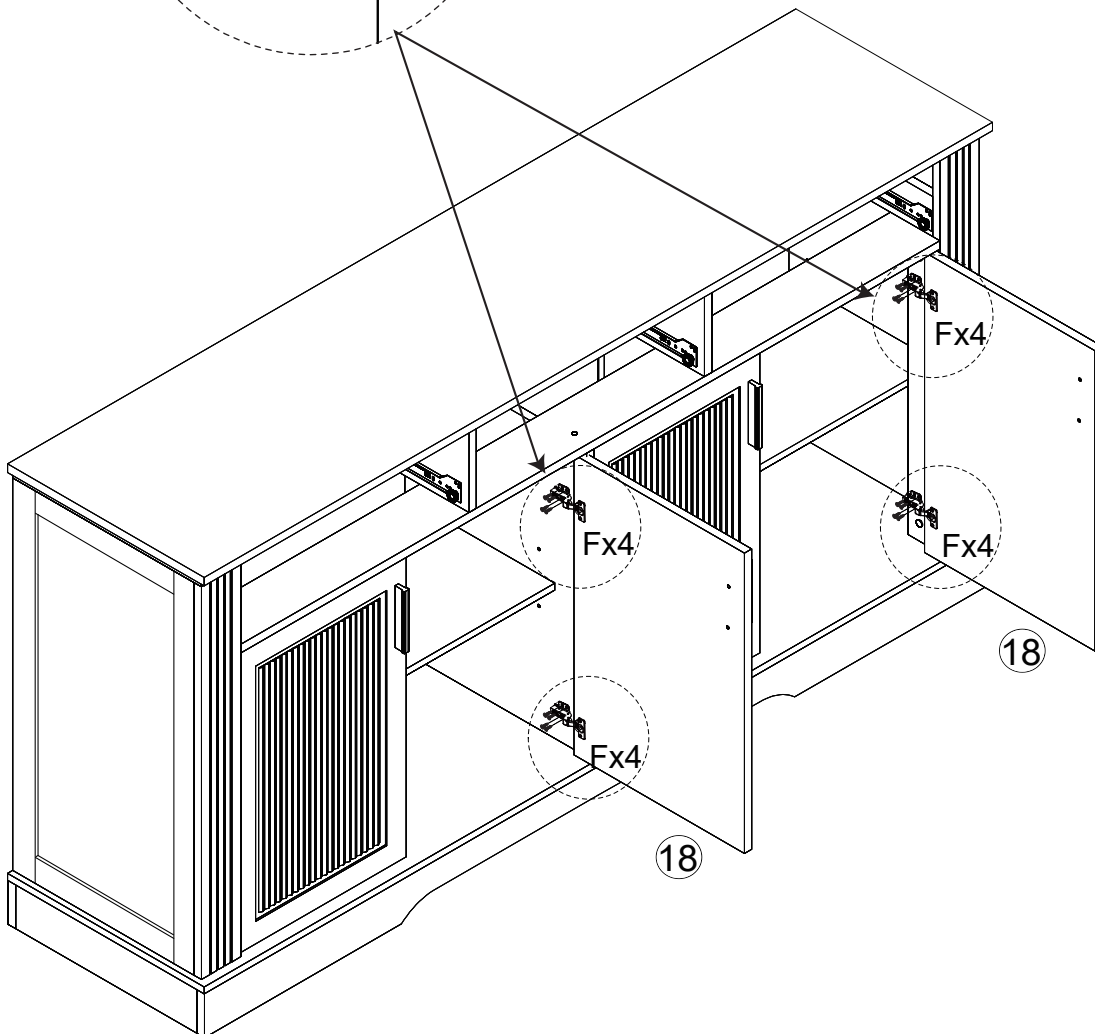
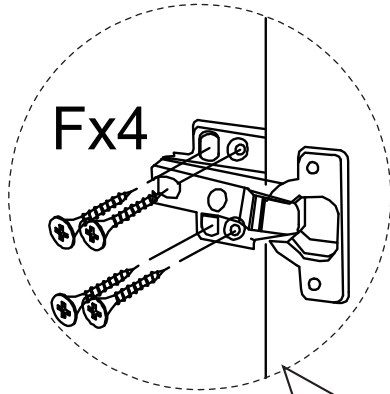
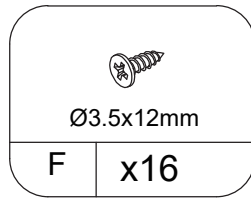
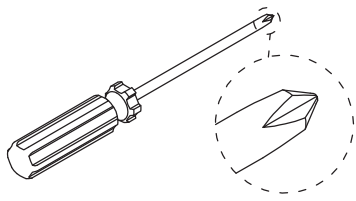
STEP 24



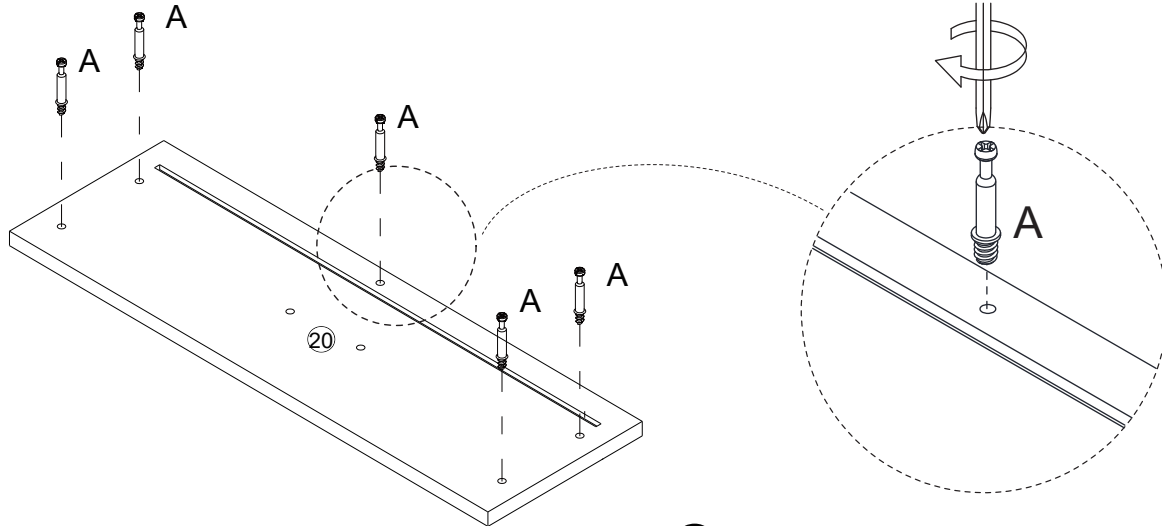
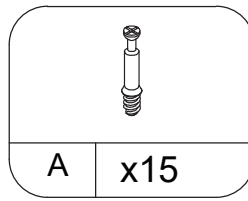
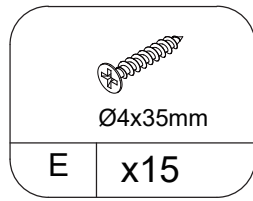
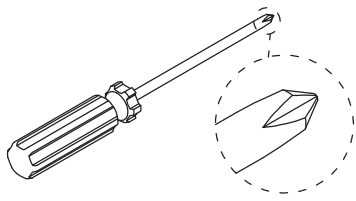
STEP 25



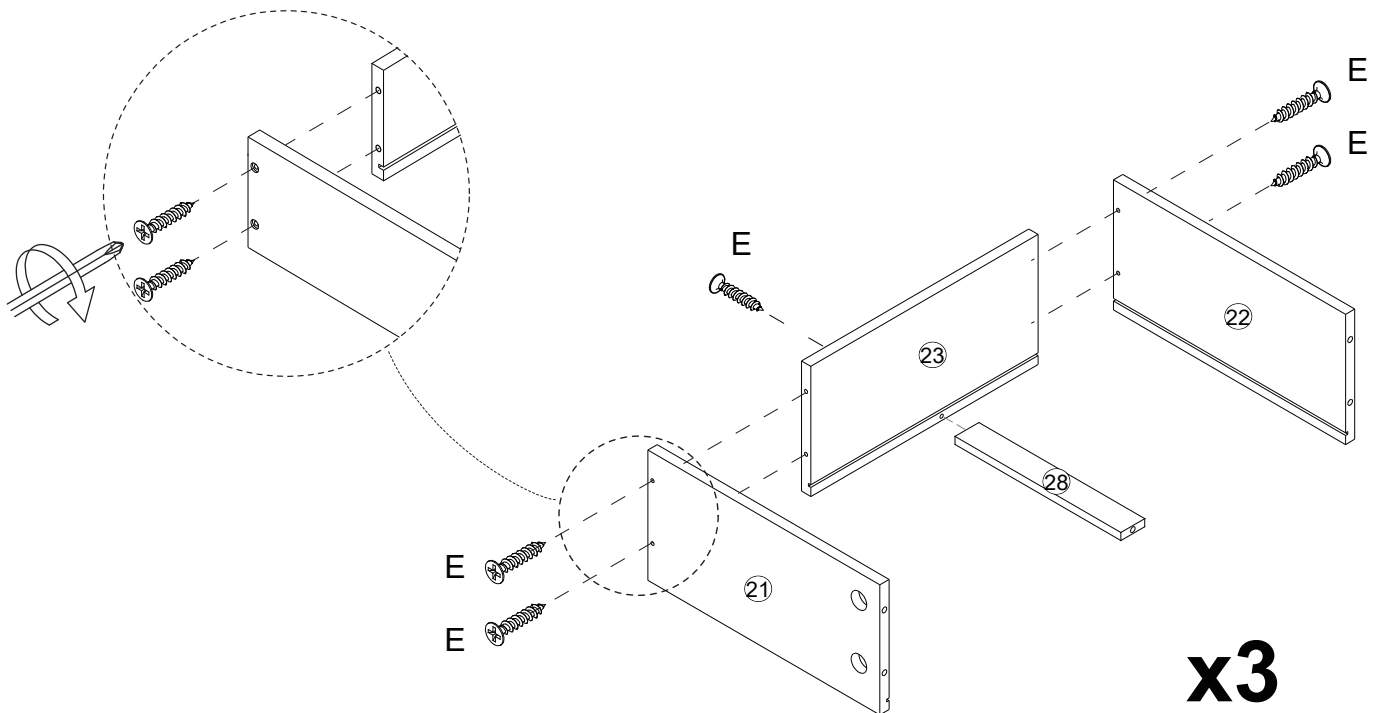
STEP 26



STEP 27

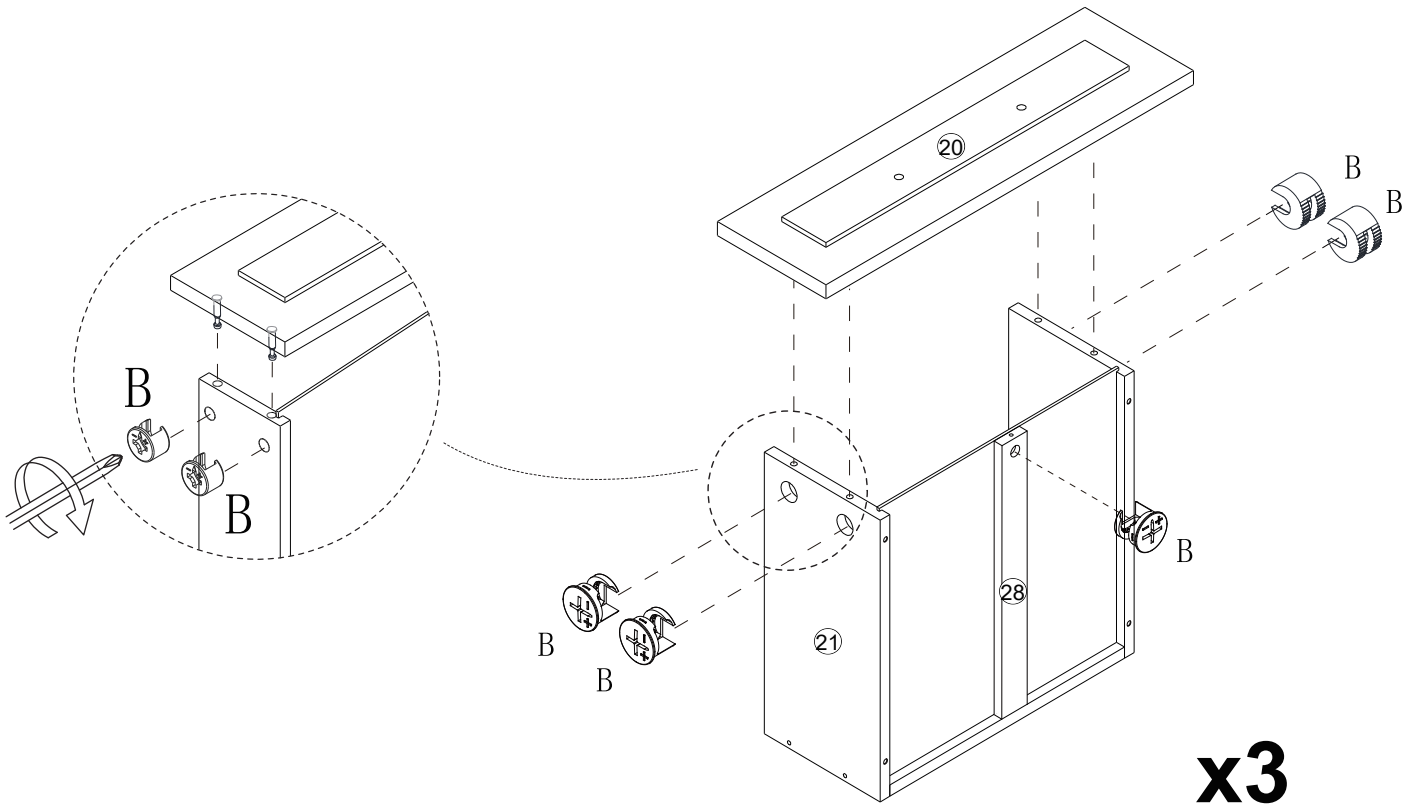
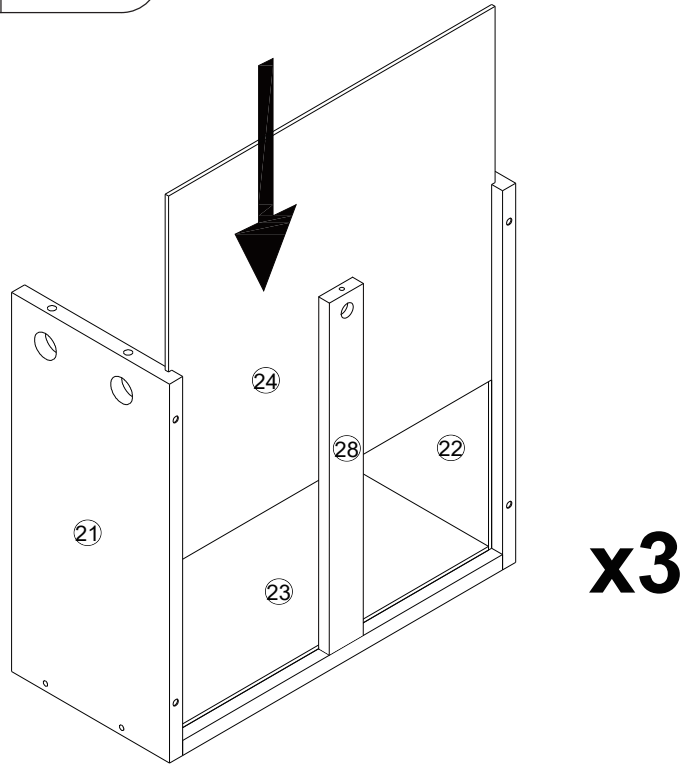
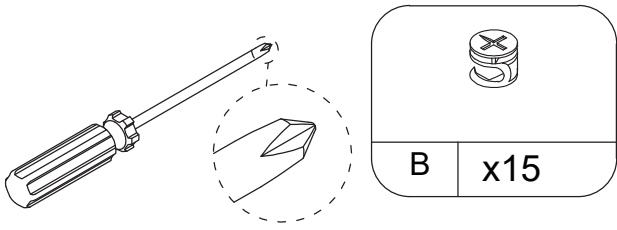


x3

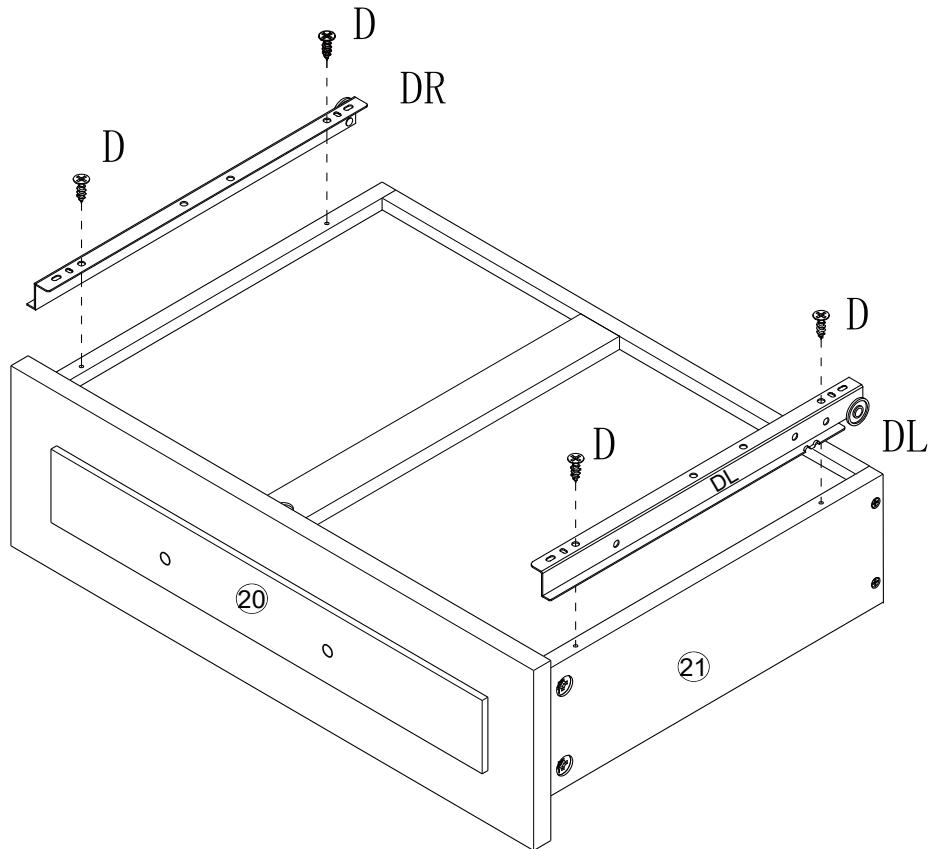
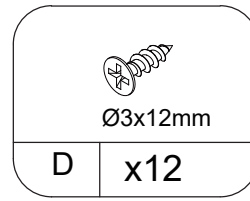
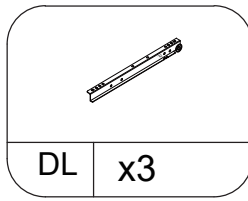
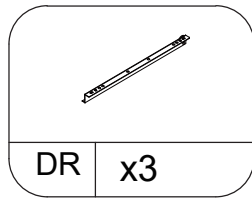
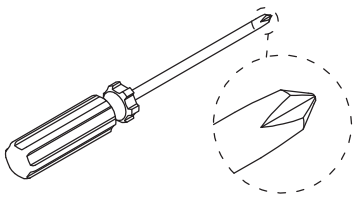


x3

STEP 28

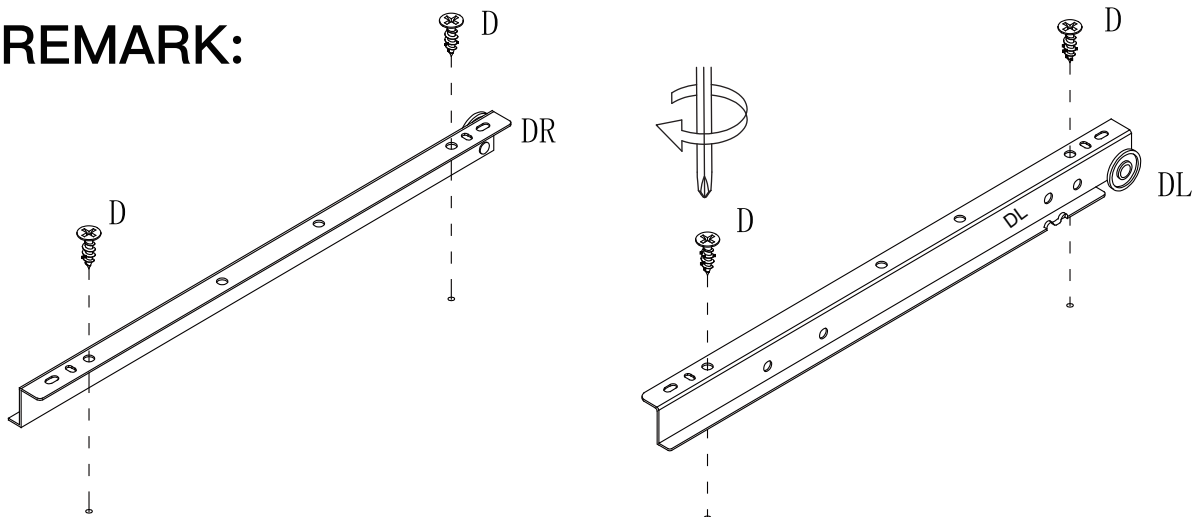


STEP 29

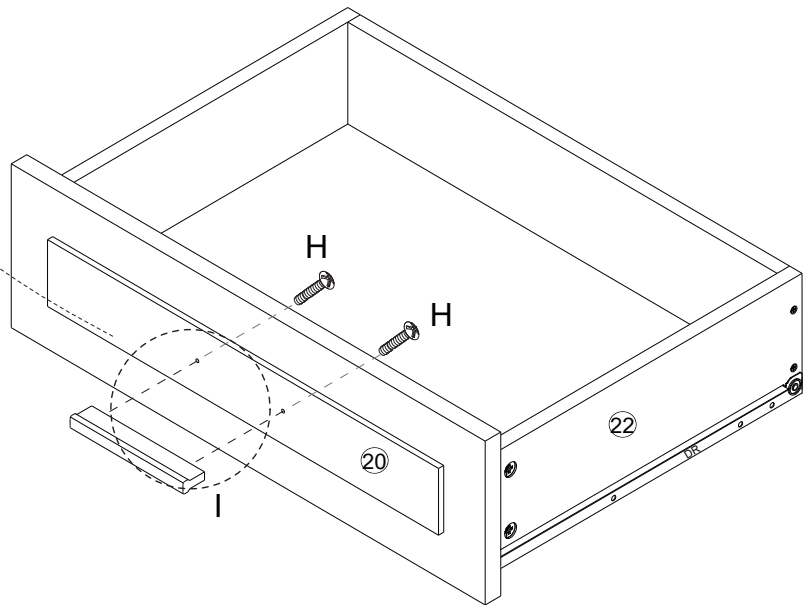
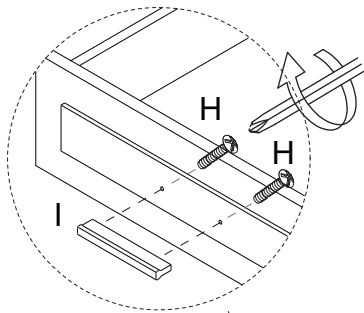
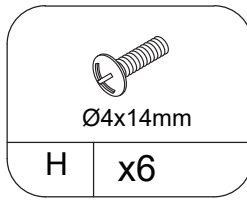
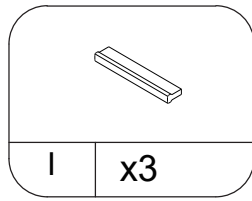
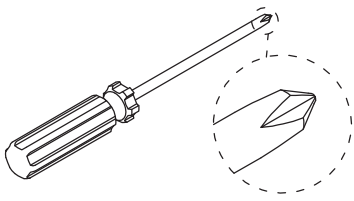


x3

REMARK:

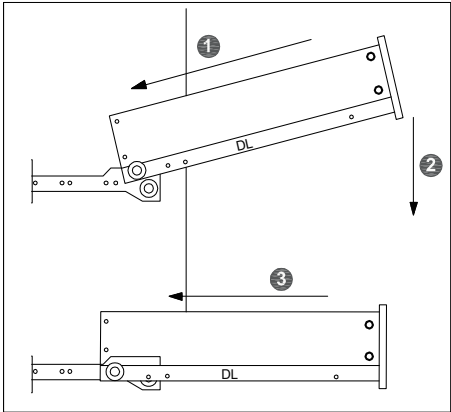
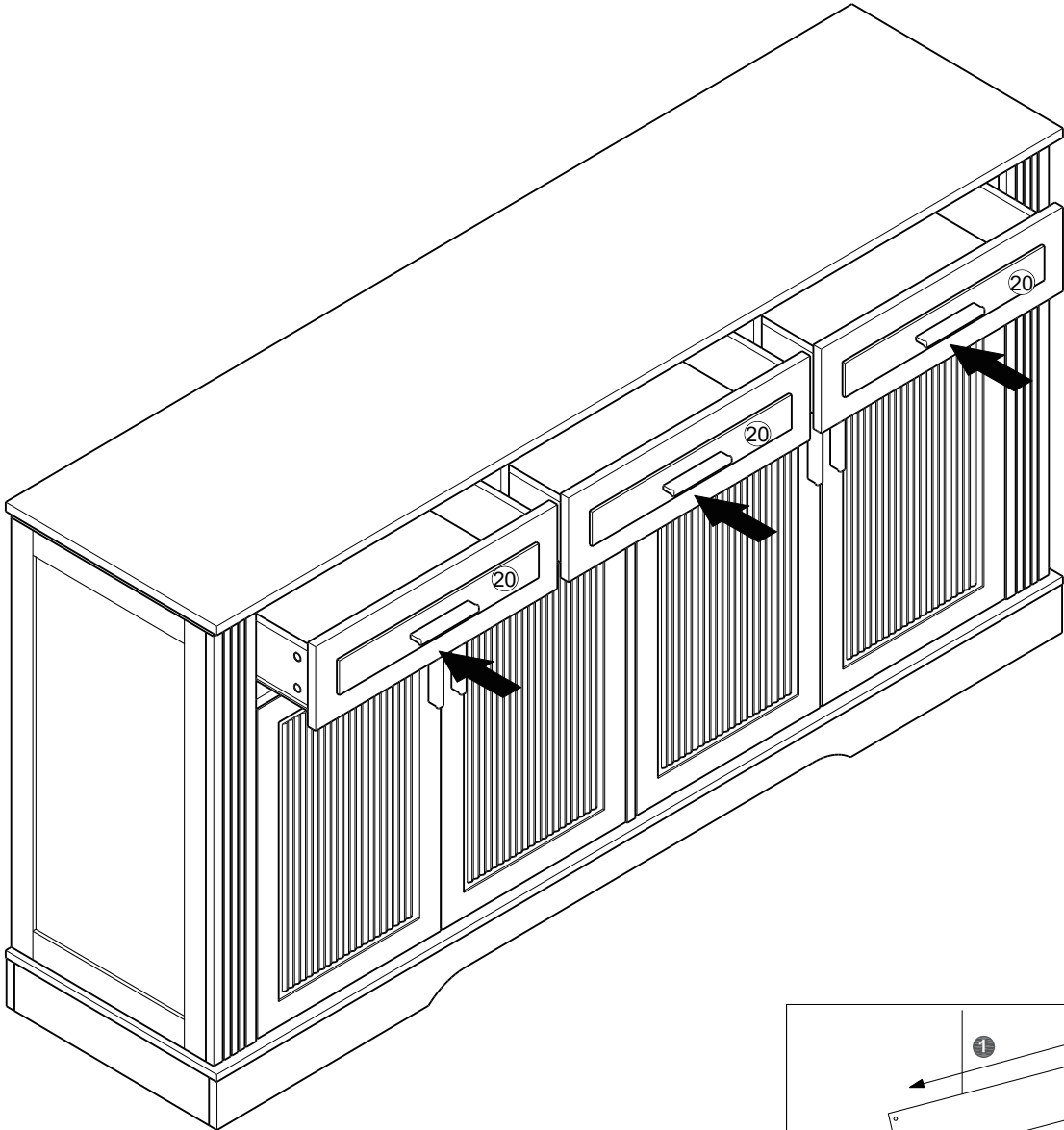


STEP 30

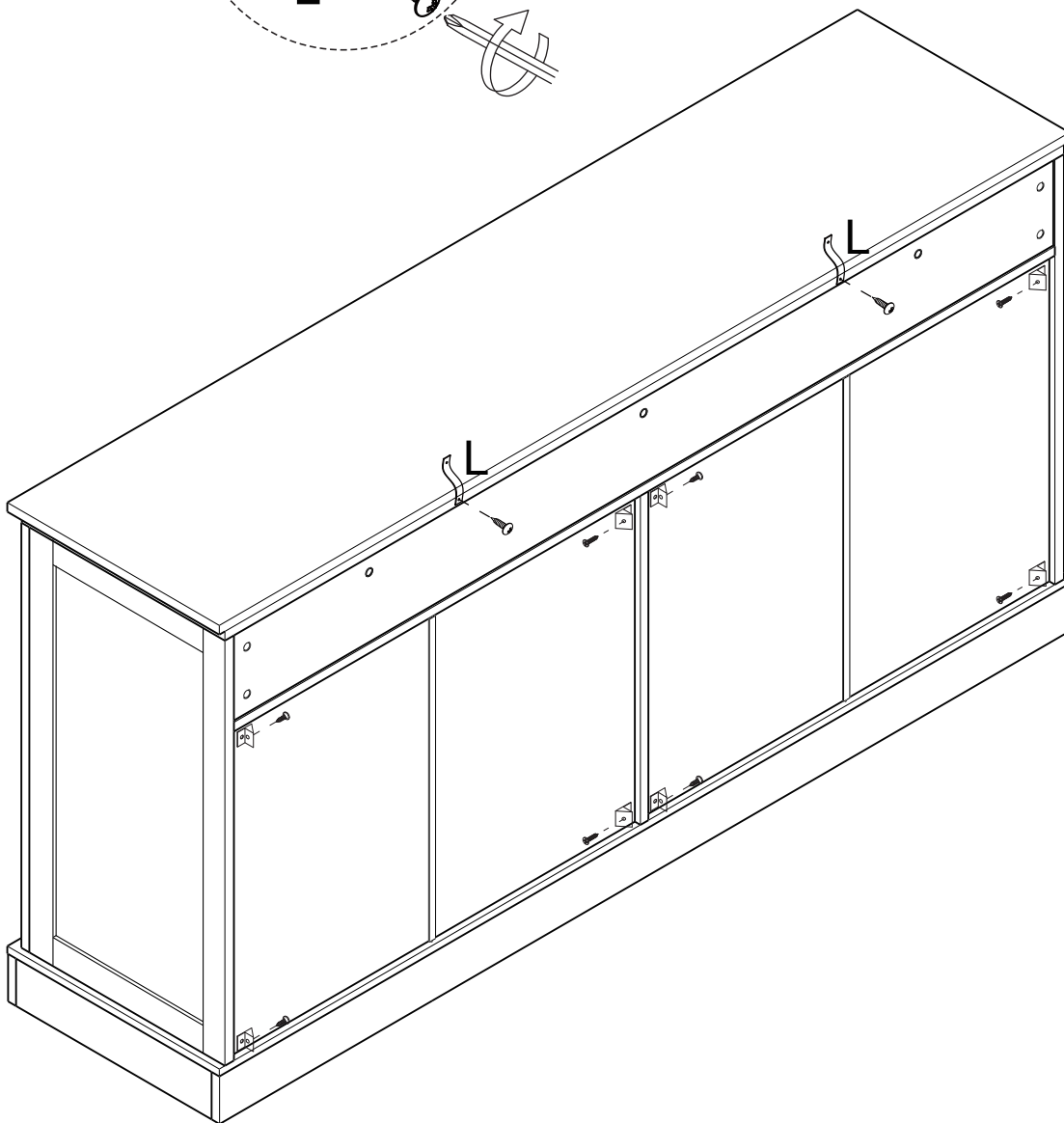
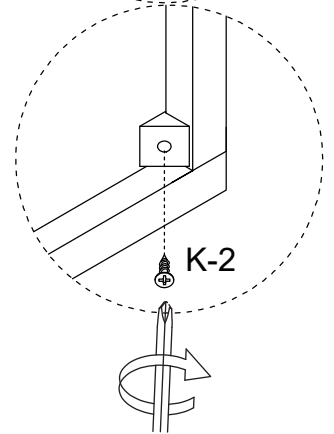
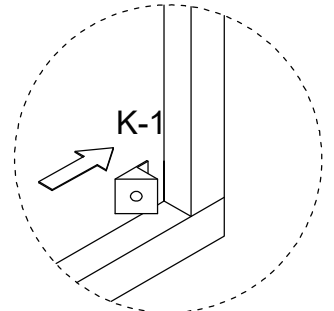
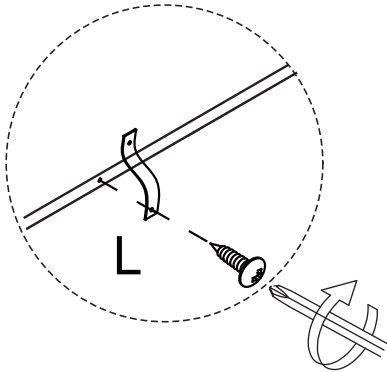
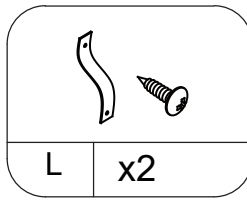
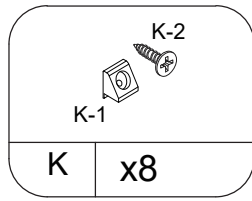
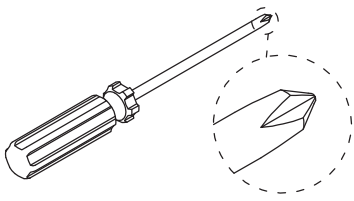


x3

STEP 31



STEP 32



STEP 33

