

IMPORTANT!! PLEASE READ ENTIRE INSTRUCTION SHEET BEFORE ASSEMBLY!!

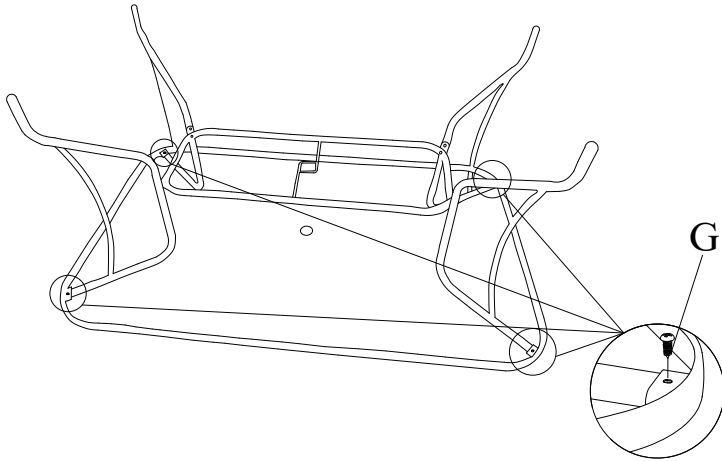
5pcs rectangle dining table


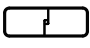
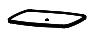





Identify all parts packed in the carton against the parts list. Remove all protective materials. Place parts on a non-abrasive surface. If you are missing any parts or Are unsure how to proceed with assembly, please call customer service center

Do not attempt to assemble the product if any parts are missing or damaged.

Step 1

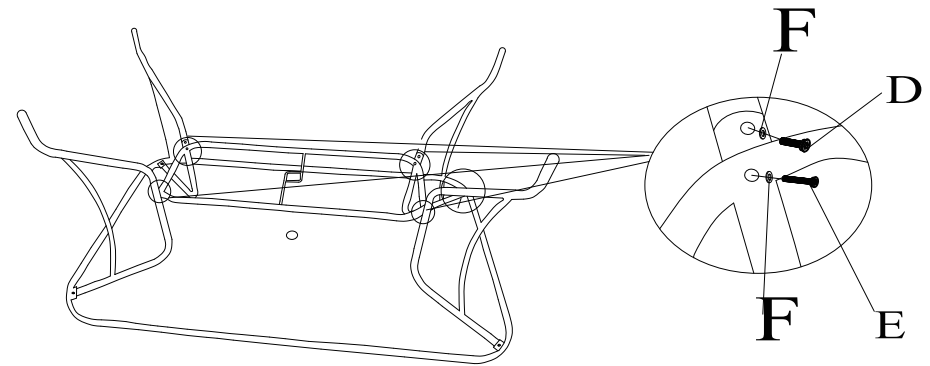
Place Table top (C) upside down on a flat, soft surface.
Attach the Table legs (A) to Table top (C) by inserting bolts (G) through the pre-drilled holes in the table top and legs.
(DO NOT TIGHTEN COMPLETELY)



Parts List							
A	Table Leg		4	B	Table connector		1
C	Table Top		1	D	Bolt(M6*20)		4
E	Bolt(M6*40)		4	F	Washer		8
G	Bolt		4	H	Allen Wrench		1

Step 2

Attach the Table connector bracket (B) to Table legs (A) by inserting bolts (D & E) with metal washers (F) through the pre-drilled holes in the table tray and legs.
Tighten all bolts with the Allen wrench (H).



Step 3

Turn the Table into upright position.
Now the table is ready for your enjoyment.

