



LIGHT SOURCE DATA

- 3 x 28W Max G9 Eco Halogen (required)
- Lamp direction - Indirect
- Lamp shape - Capsule
- Dimmable
- Energy range: A++, A+, A, B, C, D

DIMENSION DATA

- Height 180mm
- Diameter 340mm

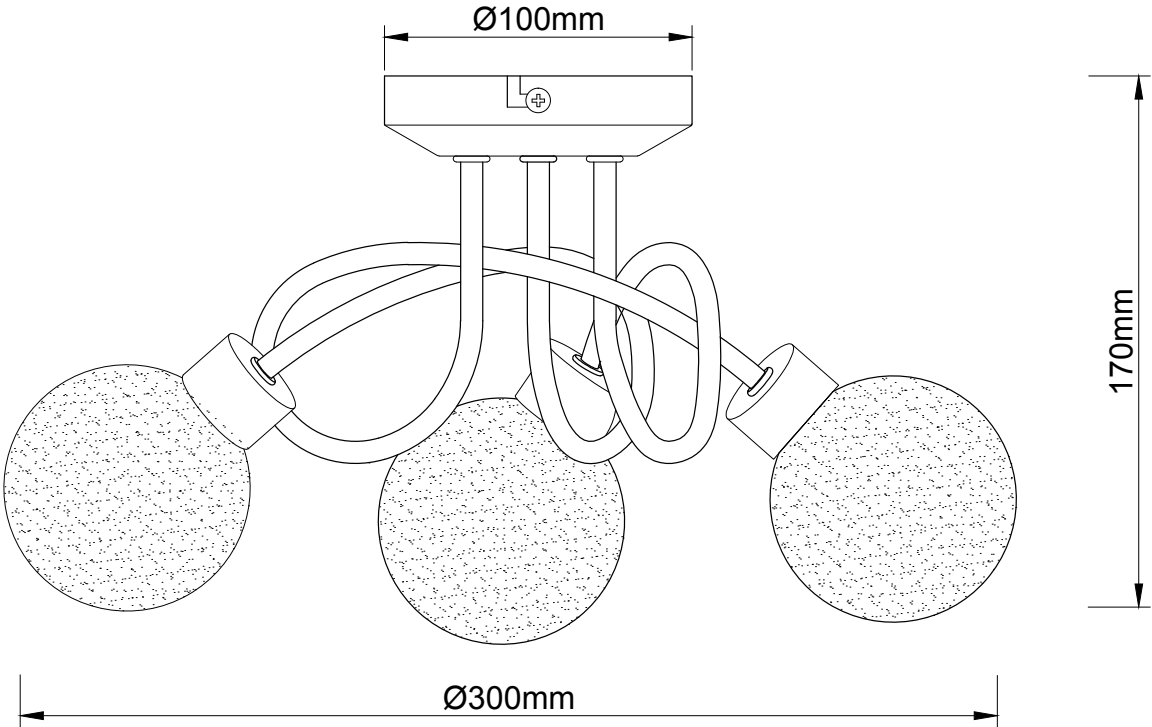
- Weight .64kg

SPECIFICATION

- Manufacturer warranty for 2 years from date of purchase
- Satin nickel plate and clear with white spiral detail glass
- IP20
- Class I - Single Insulated, Earthed
- 240V
- Assembly required? No
- CE Marking, Energy Efficient, Energy Saving

CERTIFICATION





CERTIFICATION

