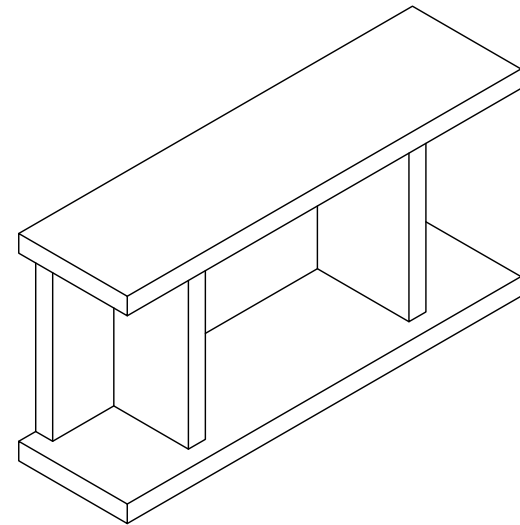


CLARAMAY CONSOLE TABLE

DESIGN# SFV2223

Assembly Instructions



Need help?

Feel free to contact us via email or call
if you have any specific questions!

contact us:

cs@safavieh.com
866-422-9070

SAFAVIEH
C O U T U R E

Thanks for bringing Safavieh Couture into your home

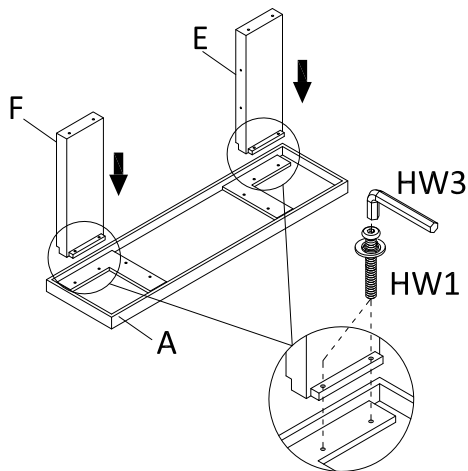
Everything we make is incredibly simple to set up, including your new console table. You won't need any additional tools.

Parts List

- A X 1
Top Table
- B X 1
Bottom panel
- C X 2
Front Left Side Panel
- D X 2
Front Right Side Panel
- E X 2
Rear Left Side Panel
- F X 2
Rear Right Side Panel

1

Place the Table Top (A) upside down on a soft surface. Align the screw holes on the Table Top (A) with those on the Rear Side Panel (E/F). Use the Allen Key (HW3) to screw in of the 4*Hex Socket bolts (HW1) to the Table top (A) as shown below.

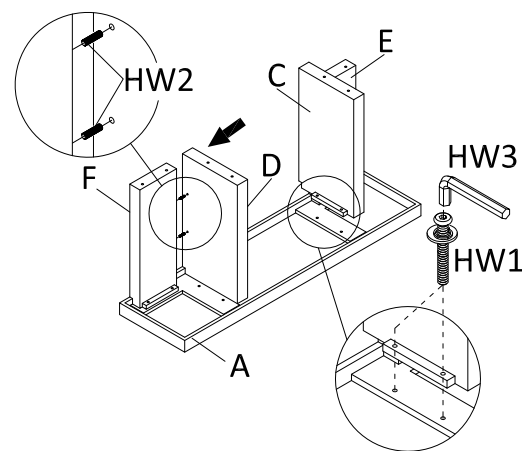


Hardware List

- HW1 x 16
Hex Socket Bolt $\frac{1}{4}$ "-20 x 1- $\frac{1}{4}$ "
- HW2 x 4
Dowels $\frac{5}{16}$ " x 1- $\frac{1}{8}$ "
- HW3 x 1
Allen Key $\frac{5}{32}$ "
- HW4 x 2
Anti-Tip Hardware

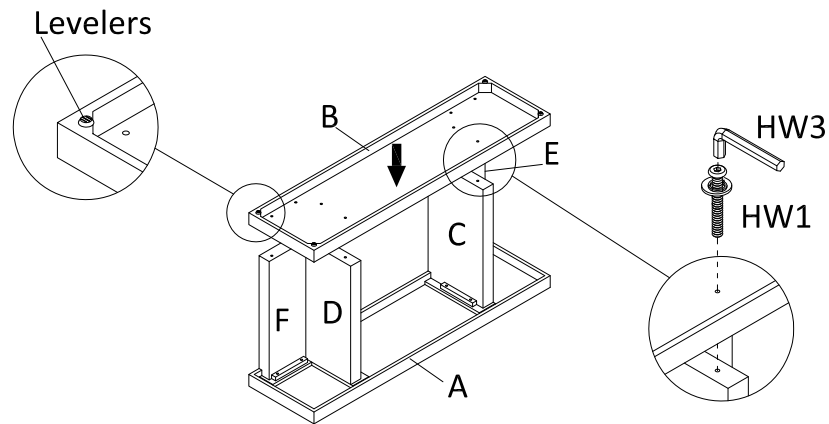
2

Place the 4 Dowels (HW2) into the rear side panel (E/F), then insert the Front Side Panel (C/D) into the Dowels and use the Allen key (HW3) to screw the 4 Hex Socket bolts (HW1) into the table top (A), as shown in the figure below.



3

Align the screw holes on the Bottom panel (B) with those on the Side Panels. Use the Allen Key (HW3) to screw in of the 8*Hex Socket bolts (HW1) to the Side Panels as shown below.



4

Turn the Table upright. Place the Table in the place where you will use it. Follow the installation instructions of the Anti-Tip Hardware (HW4) to attach the product to the wall. Adjust the levelers on the bottom of the legs as needed to make the desk level. We'd love to see it - just tag us (we're @safavieh) and use the hashtag #safavieh on Instagram!

