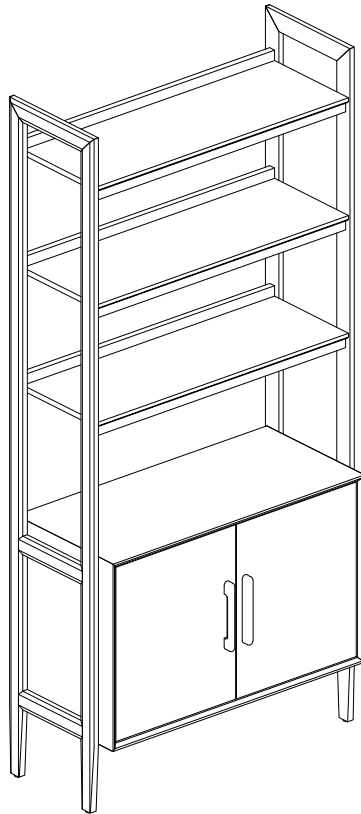


PASQUALI WOOD CABINET BOOKSHELF

DESIGN# SFV4226

Assembly Instructions



SAFAVIEH
C O U T U R E

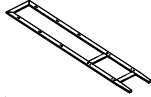
Thanks for bringing Safavieh Couture into your home

Everything we make is incredibly simple to set up, including your new bookshelf. You won't need any additional tools.

Parts List

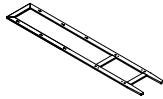
A x 1

Left frame leg



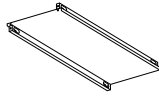
B x 1

Right frame leg



C x 3

Shelves



D x 1

Base



Ex 2

Handle



Hardware List

HW1 x 20

Bolt M6x30mm



HW2 x 8

Flat Washer M6x14mm



HW3 x 8

Spring washer M6x10mm



HW4 x 12

Semicircle washer 5x13x13mm



HW5 x 1

Allen key



HW6 x 20

Wooden dowel



HW7 x 4

Bolt M4x20mm



HW8 x 4

Plastic Brackets



HW9 x 2

Restraint straps



HW10 x 4

Short screws



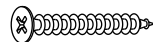
HW11 x 4

Plastic anchors



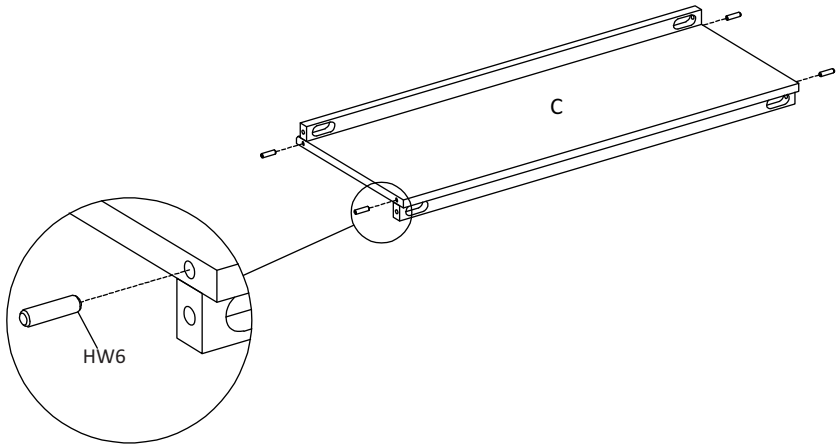
HW12 x 4

Long screws



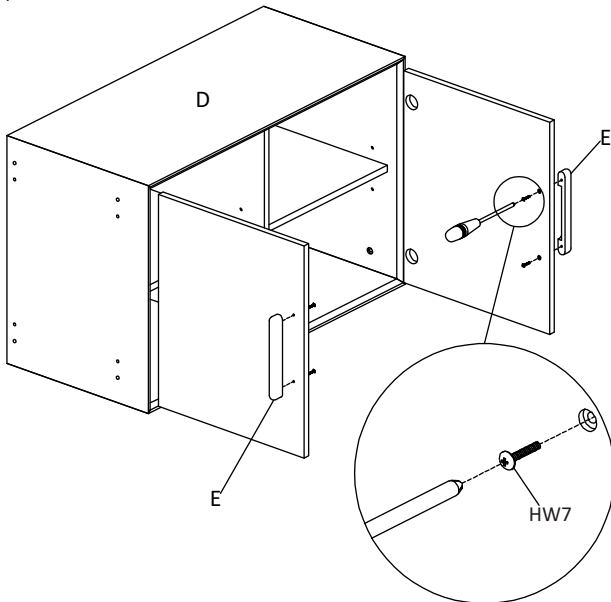
1

Insert the wooden dowels (HW6) into both ends of the shelves (C).



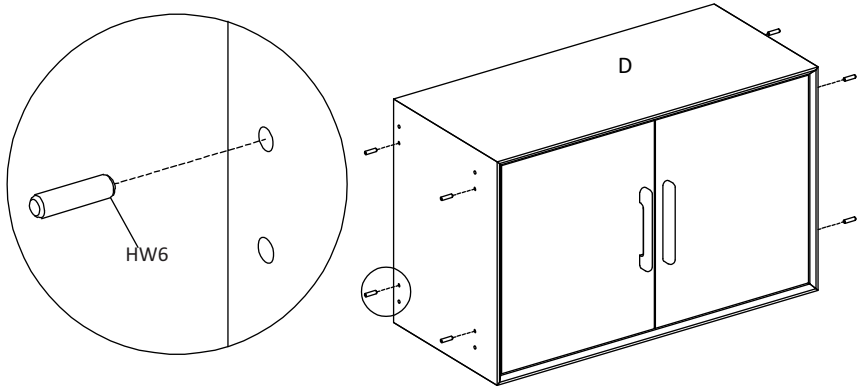
2

Attach the handle (E) to the door by using a Philips Head Screwdriver to screw in the bolts (HW7) as shown.



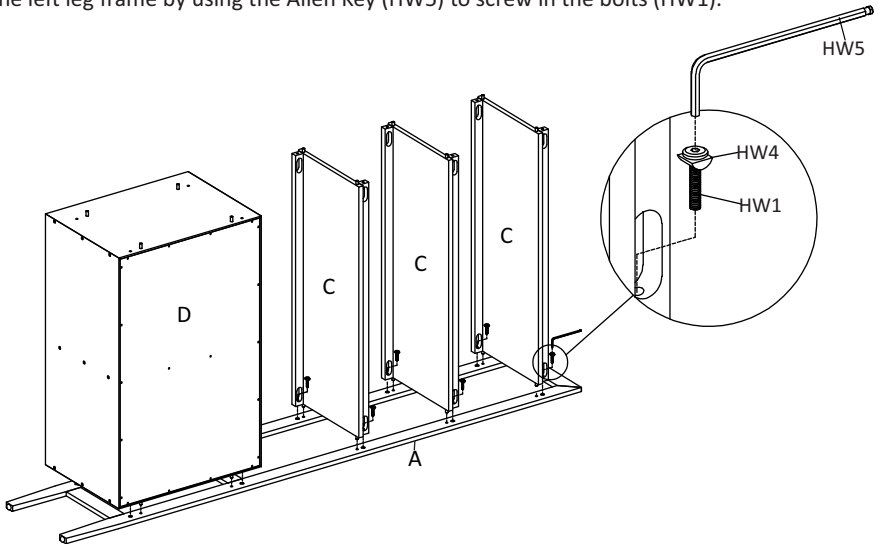
3

Insert the wooden dowels (HW6) into the sides of the base (D) as shown.



4

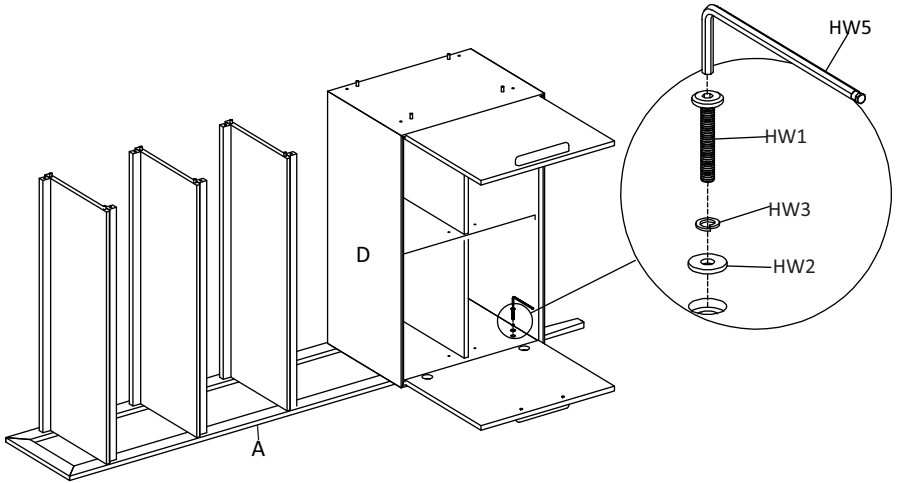
Insert the other end of the dowels (HW6) that's on the shelves (C) and the base (D) into the left leg frame (A). Place the semicircle washer (HW4) on the bolts (HW1). Attach the shelves to the left leg frame by using the Allen Key (HW5) to screw in the bolts (HW1).



4

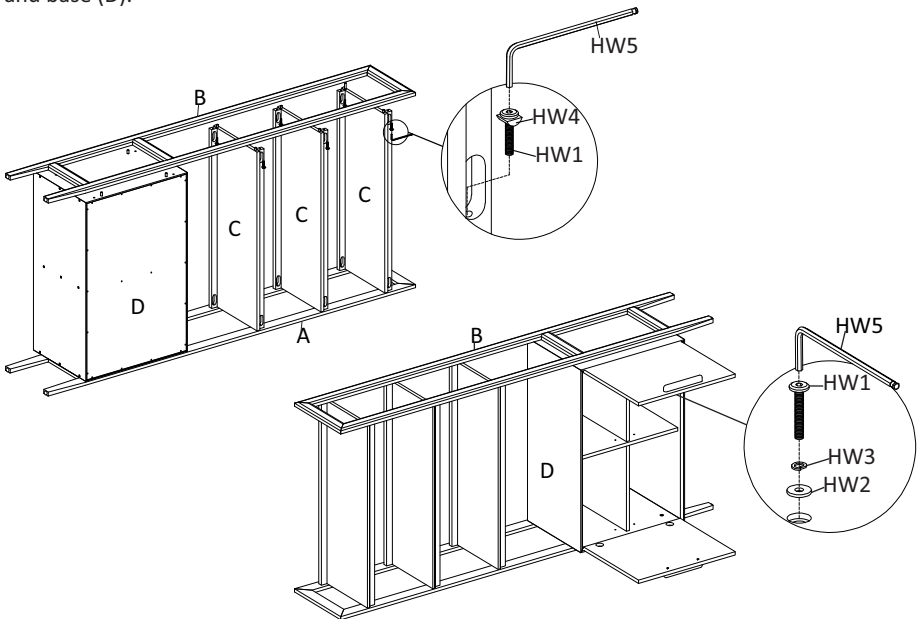
5

Place the Spring washer (HW3) and Flat washer (HW2) on the bolts (HW1). Attach the base (D) to the left leg frame (A) by using the Allen Key (HW5) to screw in the bolts (HW1) with the washers.

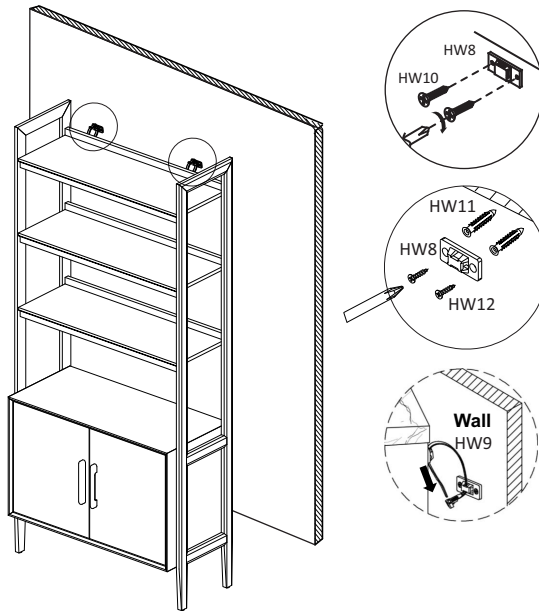


6

Repeat steps 4 and 5 to attach the right leg frame (B) to the other side of the shelves (C) and base (D).

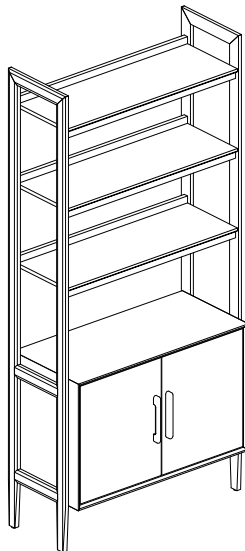


To help prevent the possibility of tipping over, install the tip over restraint kit provided.



Place the bookcase in the place where you will use it. We'd love to see it – just tag us (we're @safavieh) and use the hashtag #safavieh on Instagram!

@safavieh



Need help?

Feel free to contact us via email or call
if you have any specific questions!

contact us:

cs@safavieh.com

866-422-9070