

CARE AND MAINTENANCE

Store outdoor furniture indoors or cover well when not in use.

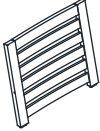
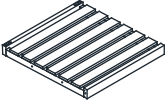
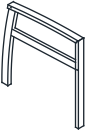
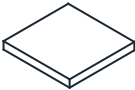




Remove wooden furniture from standing water. Dust regularly with small brush or vacuum

Spills should be taken care of immediately before they harden or stain with a slightly dampened sponge.

NOTICE

- * Please make sure that you have all parts indicated before you begin assembly of this item
- * This item should be assembled on a soft surface to prevent scratching the finish during assembly
- * This item may require periodic tightening

Part List and Hardware List

PIECE	DESCRIPTION	PICTURE	QUANTITY
A	Frame back		1X
B	Frame Seat		1X
C	Frame Leg		2X
H	Cushion seat		1X
D	Screw	 M6x70	4X
E	Bolt	 M6x60	2X
F	Bolt	 M6x35	4X
G	Allen key	 LG4	1X

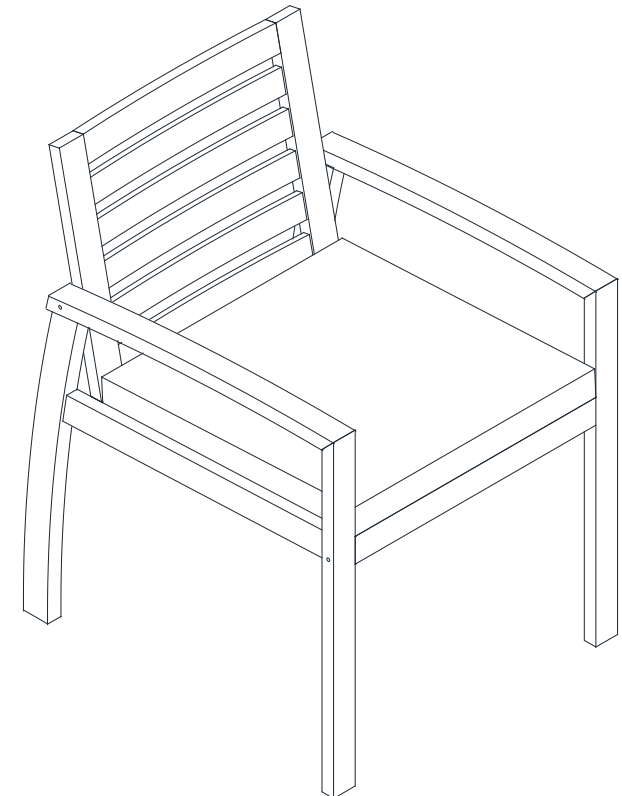
Weight Capacity : 600 Ibs

Warning : Do not stand on chair

Warning : Do not over torque bolts / screws



Product Dimensions: 23.22" W x 23.03" D x 33.07" H



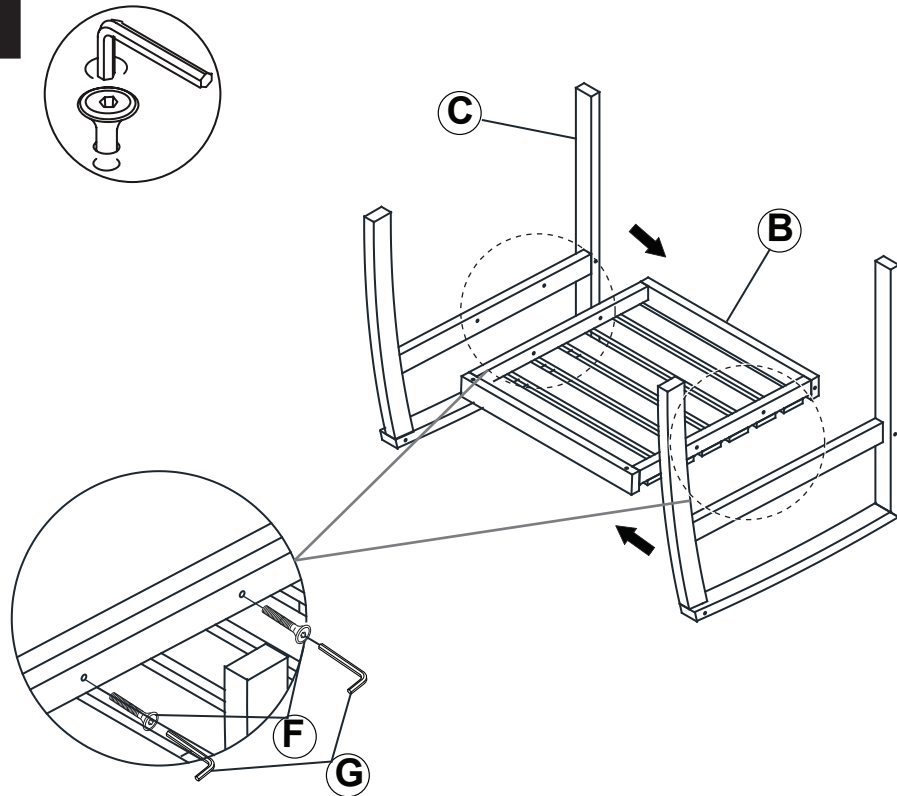
PREPARATION

Before beginning assembly of product, make sure all parts are present. Compare parts with package contents list and hardware contents list. If any part is missing or damaged, do not attempt to assemble the product.

Estimated Assembly Time: 10 minutes.

Tools Required for Assembly (included): Allen Key

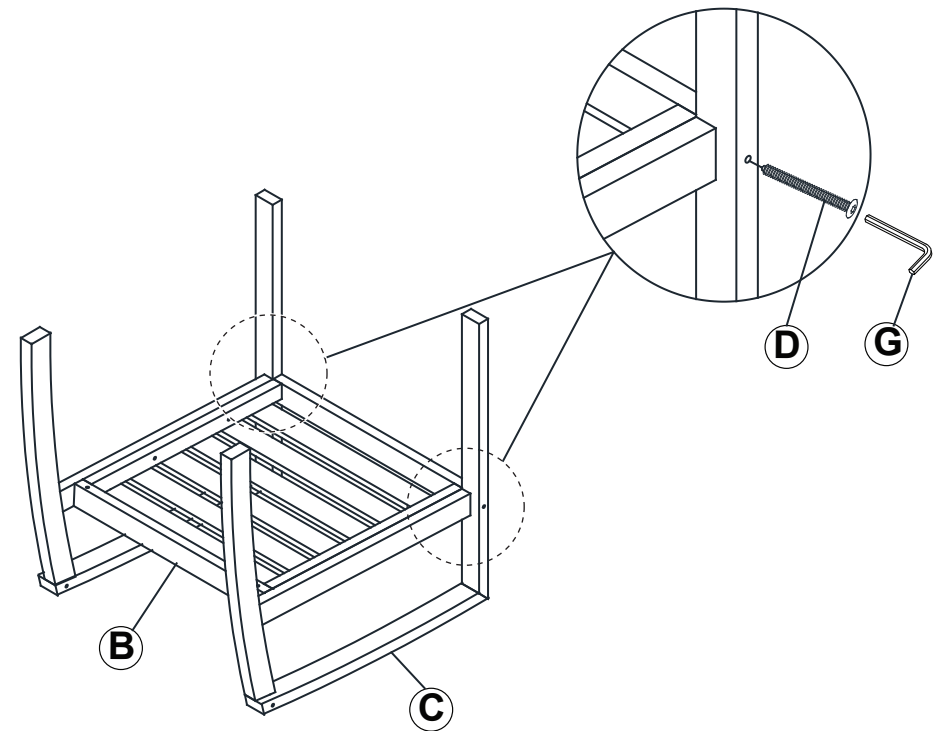
1



Step 1

Attach Frame leg (C) to Frame seat (B) ,use Bolt (F) and tighten with allen key (G).

2



Step 2

Attach Frame leg (C) to Frame seat (B) ,use Screw (D) and tighten with allen key (G).

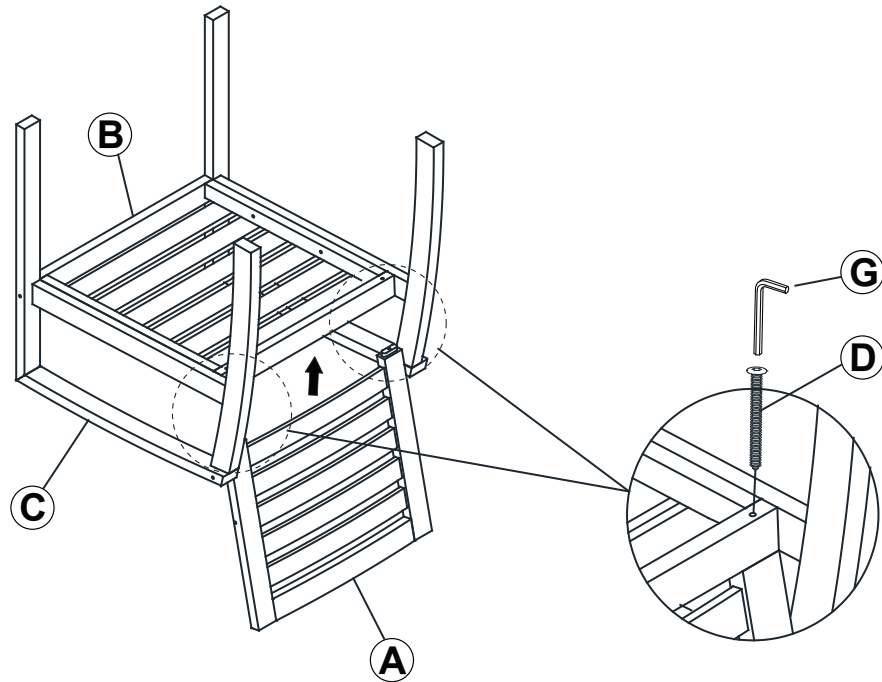
PREPARATION

Before beginning assembly of product, make sure all parts are present. Compare parts with package contents list and hardware contents list. If any part is missing or damaged, do not attempt to assemble the product.

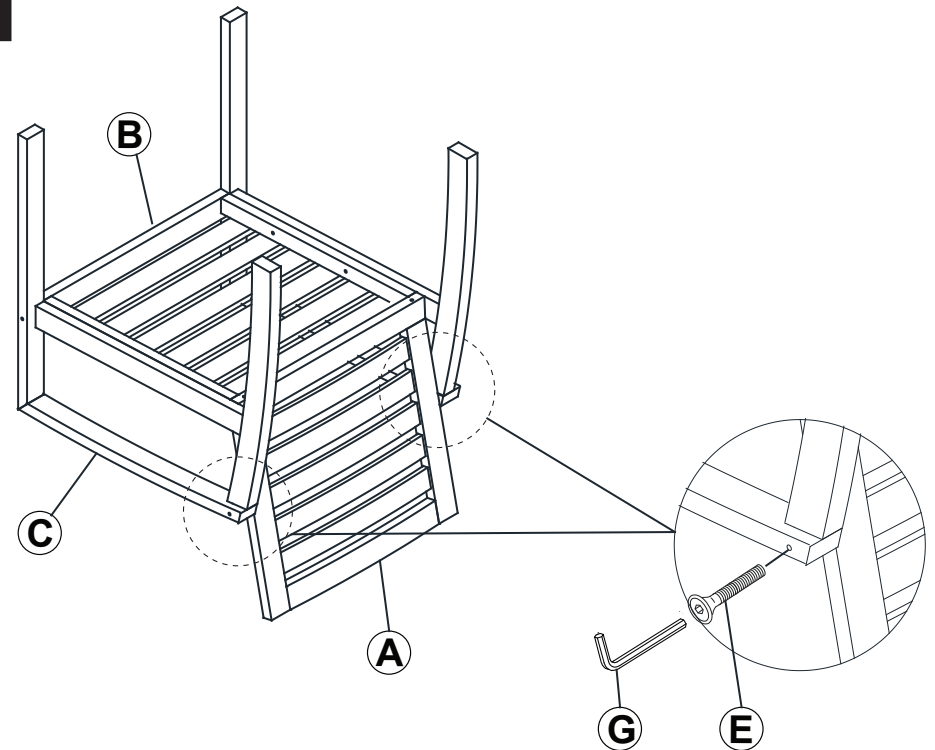
Estimated Assembly Time: 10 minutes.

Tools Required for Assembly (included): Allen Key

3



4



Step 3
Attach Frame back (A) to Frame leg (C), Use Screw (D) and tighten with allen key (G).

Step 4
And finally use Bolt (E) and tighten with allen key (G).

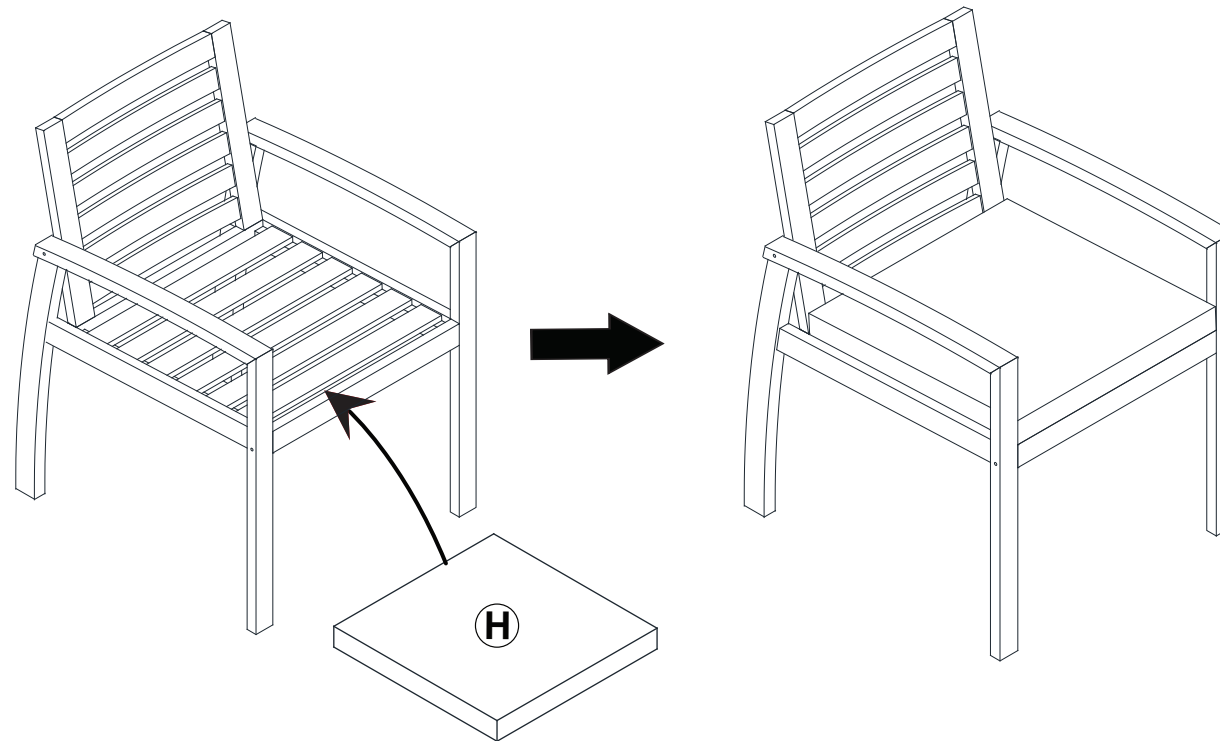
PREPARATION

Before beginning assembly of product, make sure all parts are present. Compare parts with package contents list and hardware contents list. If any part is missing or damaged, do not attempt to assemble the product.

Estimated Assembly Time: 10 minutes.

Tools Required for Assembly (included): Allen Key

5



Step 5
Attach Pillow (H) and Complete.