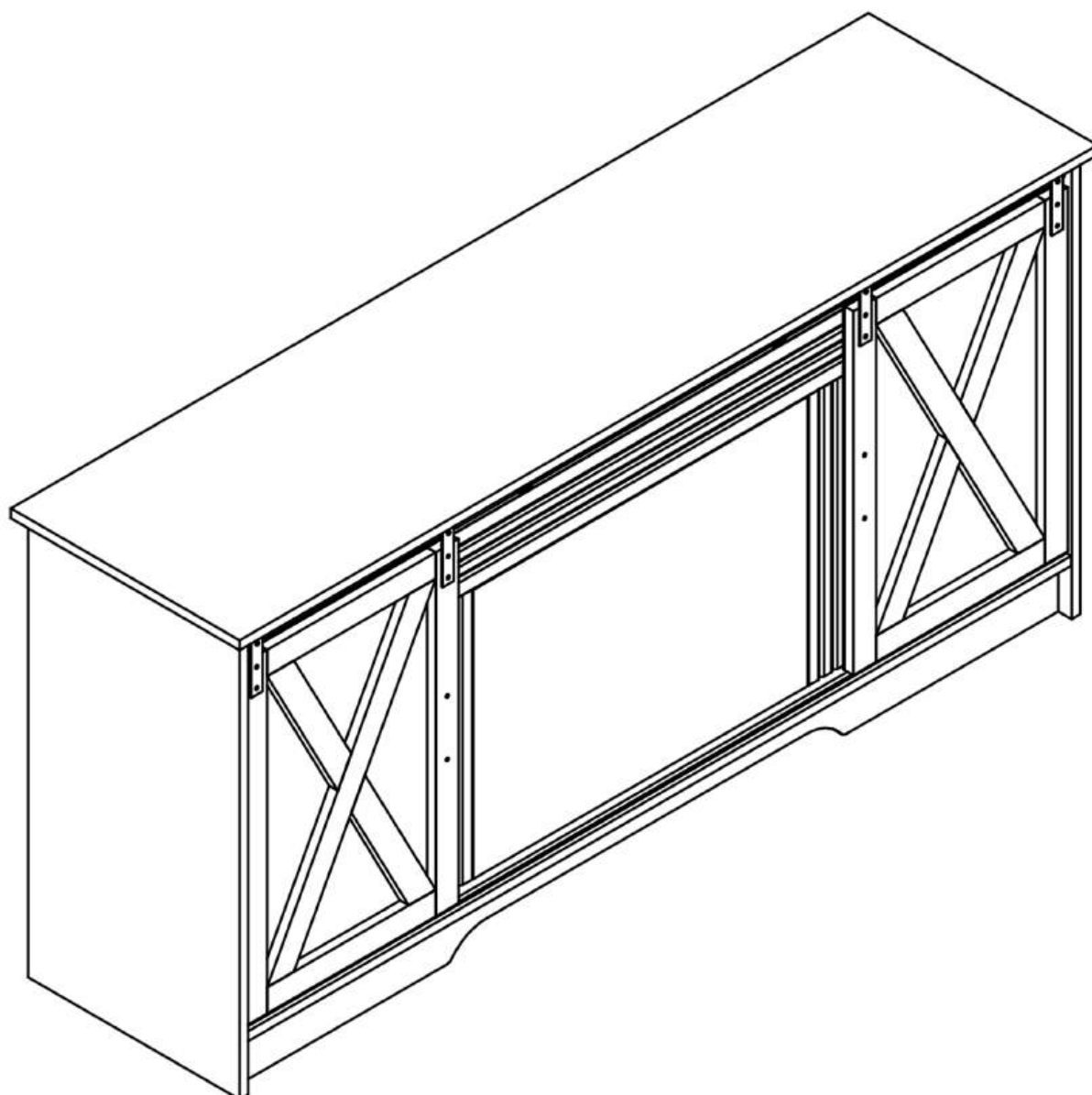


# Farmhouse TV Stand with Fireplace

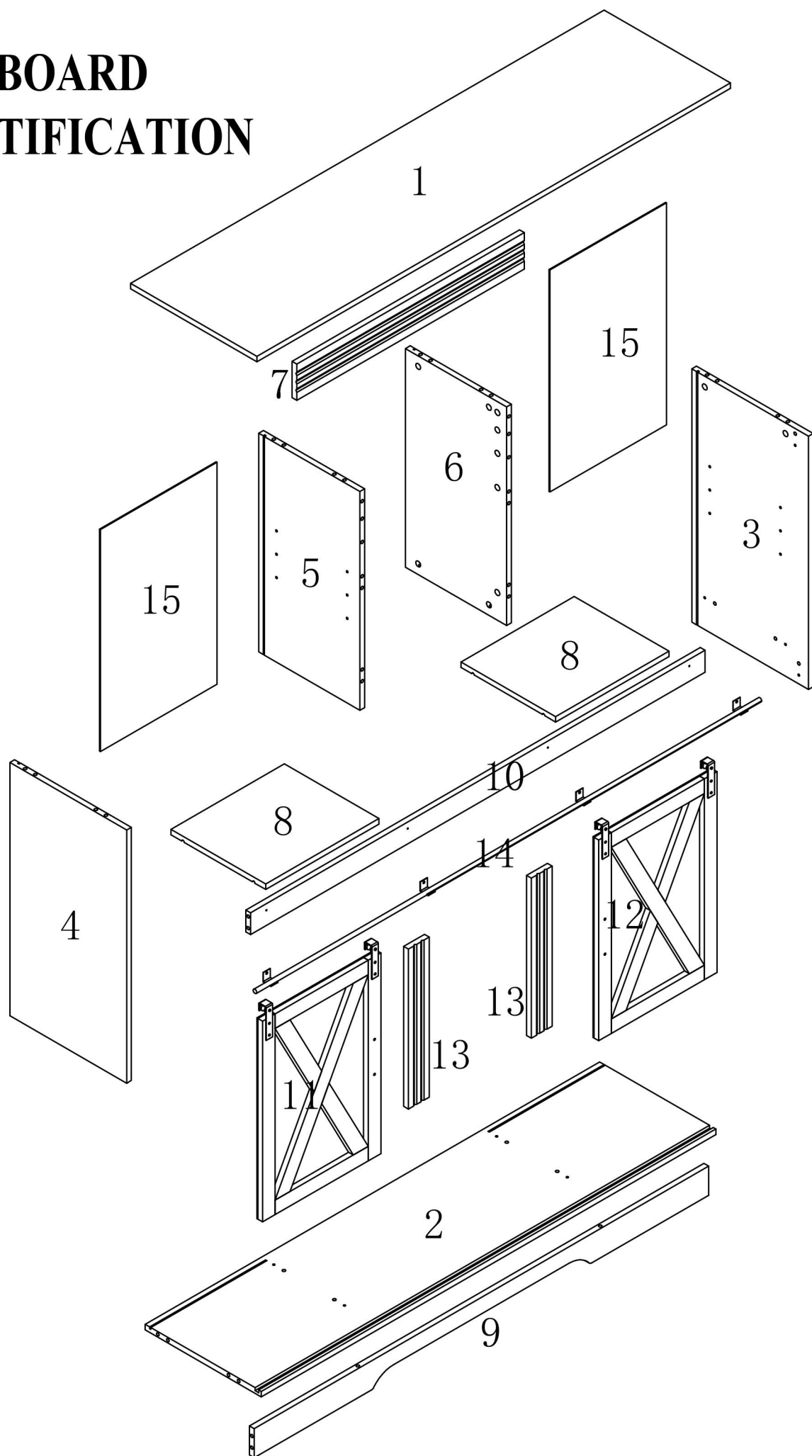
TV stand and Fireplace are delivered  
by 2 package, please check

## REPLACEMENT PARTS

We are devoted to provide the best products and services for customers.  
Please contact us via the “**Contact seller**” button in the detail page of  
your order for any concern and we'll response as soon as possible.

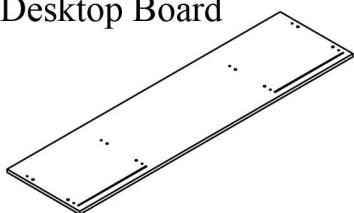


# BOARD IDENTIFICATION



# Parts List

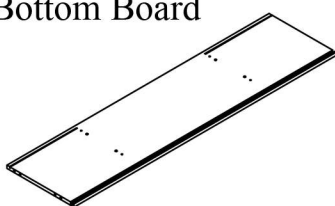
Desktop Board



1

1PC

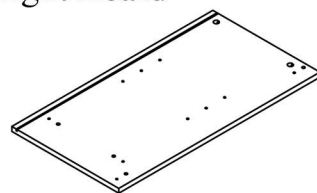
Bottom Board



2

1PC

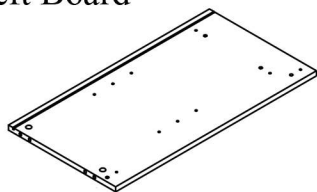
Right Board



3

1PC

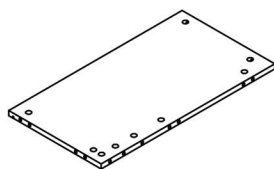
Left Board



4

1PC

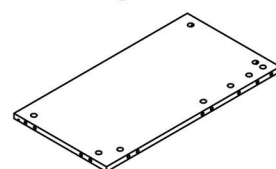
Middle Left Board



5

1PC

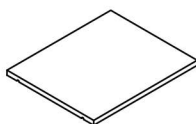
Middle Right Board



6

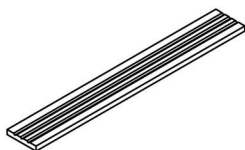
1PC

Adjustable Shelf



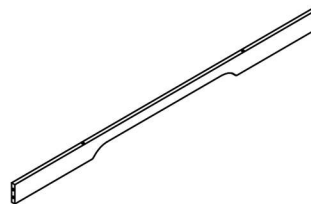
8

2PC



7

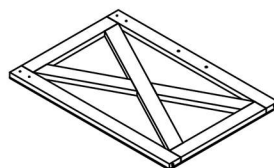
1PC



9

1PC

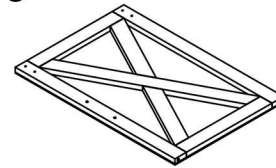
Left Door



11

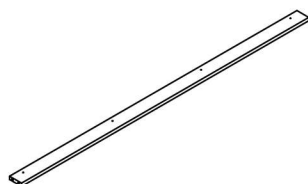
1PC

Right Door



12

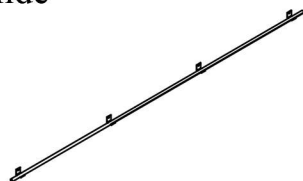
1PC



10

1PC

Slide



14

1PC

Side Back Board



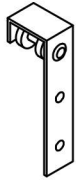
15

2PC

13

2PC

# Hardware List



A

4PC



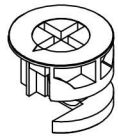
B

2PC



C

32PC



$\phi 15$

D

32PC



$\phi 8 * 30\text{mm}$

E

24PC



F

4PC



G

8PC



M4\*22MM

H

4PC



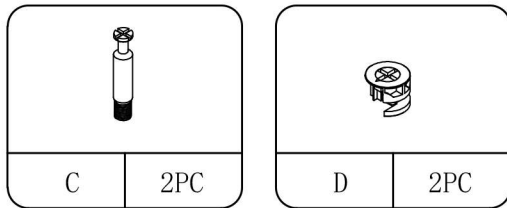
$\phi 4 * 14\text{MM}$

I

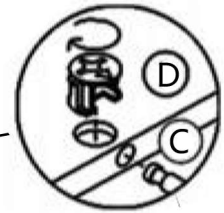
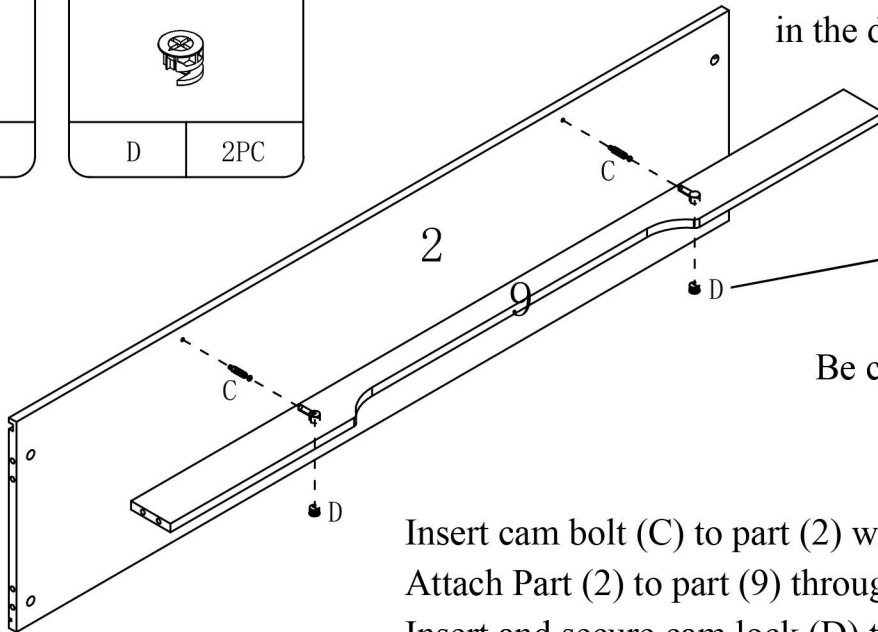
12PC

# Product Assembly

## STEP 1



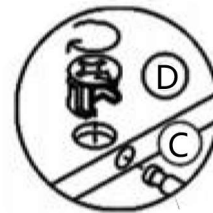
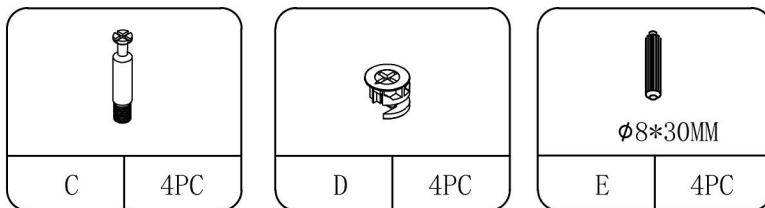
Arrow on lock (D) should point in the direction of bolt (C)



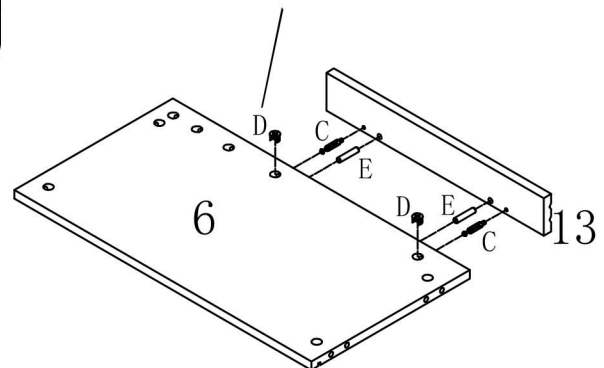
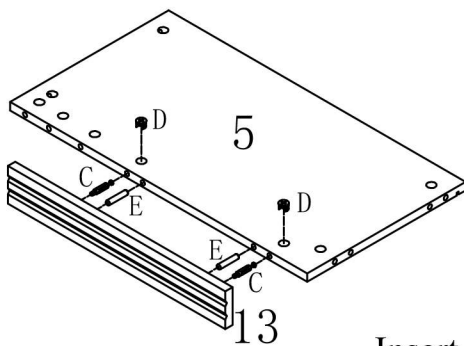
Be careful not to over tighten.

Insert cam bolt (C) to part (2) with screwdriver .  
 Attach Part (2) to part (9) through bolt (C).  
 Insert and secure cam lock (D) to part (9) to lock part (2).

## STEP 2

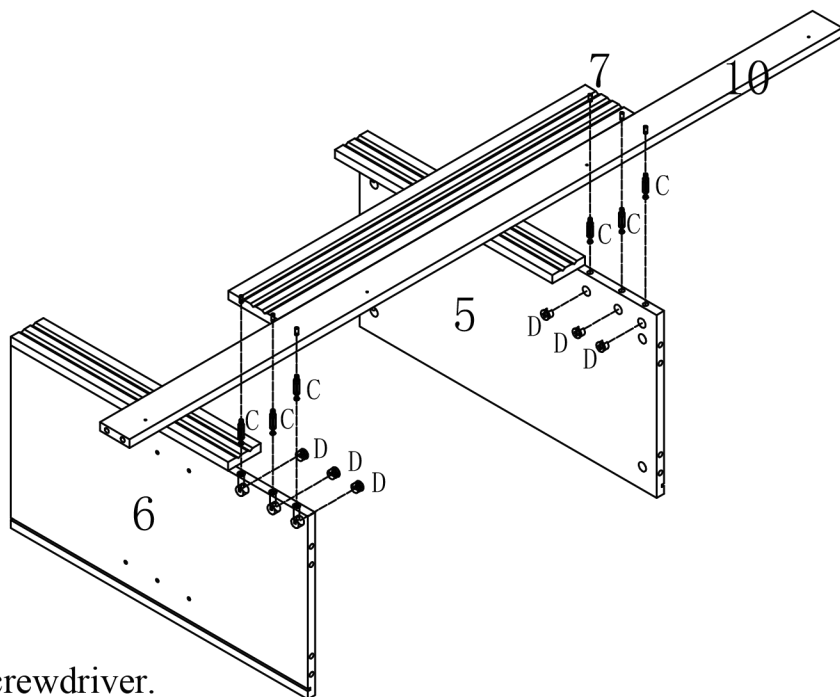
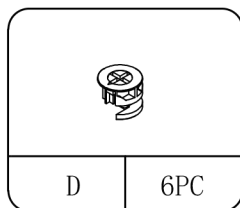
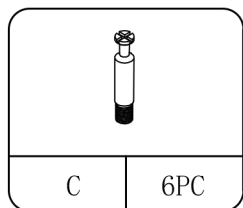


Be careful not to over tighten.



Insert cam bolt (C) to part (13) with screwdriver.  
 Insert dowel (E) into part (13).  
 Attach part (13) to part (5,6) through bolt (C) and dowel (E).  
 Insert and secure cam lock (D) to part (5,6) to lock part (13).

## STEP 3

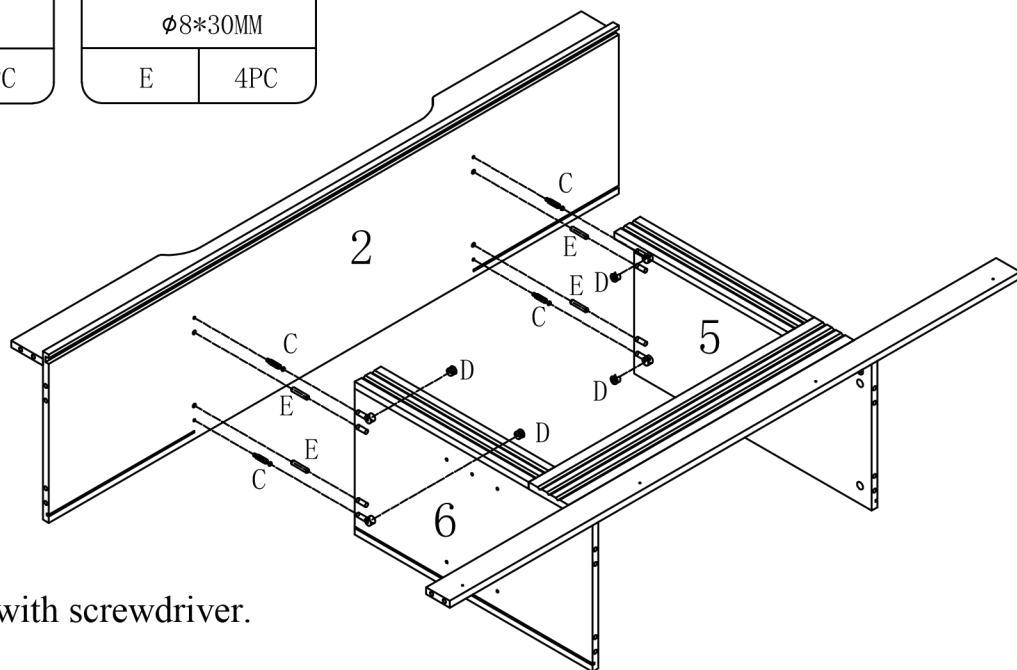
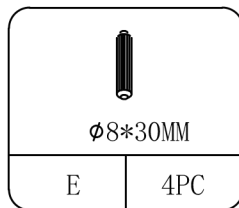
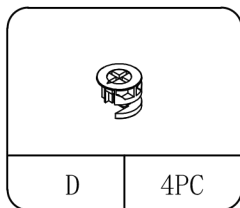
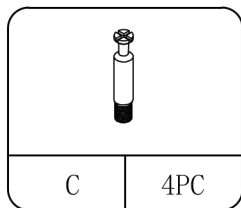


Insert cam bolt (C) to part (7,10) with screwdriver.

Attach part (7,10) to part (5,6) through bolt (C).

Insert and secure cam lock (D) to part (5,6) to lock part (7,10).

## STEP 4



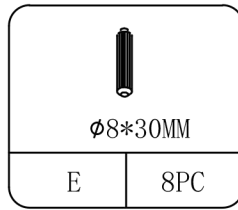
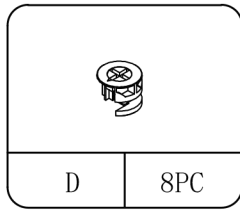
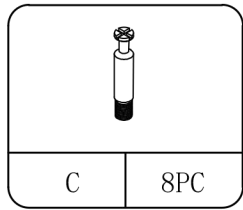
Insert cam bolt (C) to part (2) with screwdriver.

Insert dowel (E) into part (2).

Attach part (5,6) to part (2) through bolt (C) and dowel (E).

Insert and secure cam lock (D) to part (5,6) to lock part (2).

# STEP 5

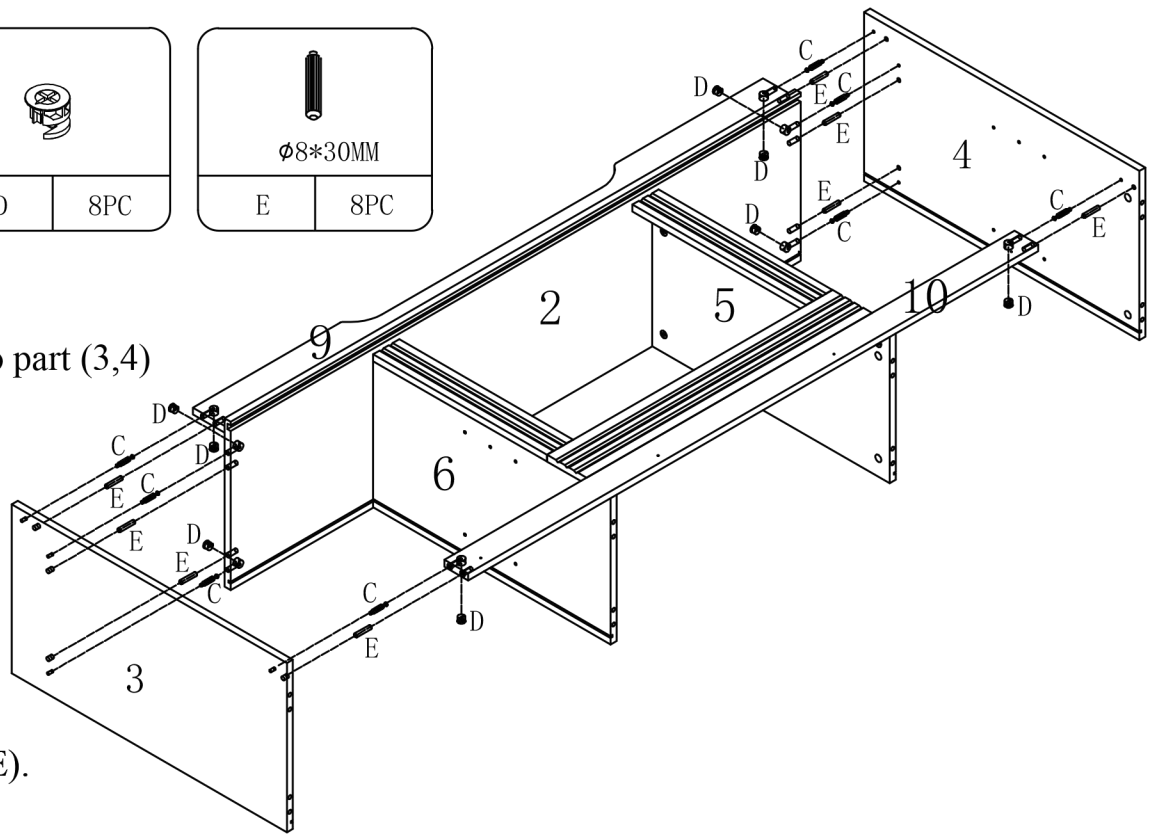


Insert cam bolt (C) to part (3,4) with screwdriver.

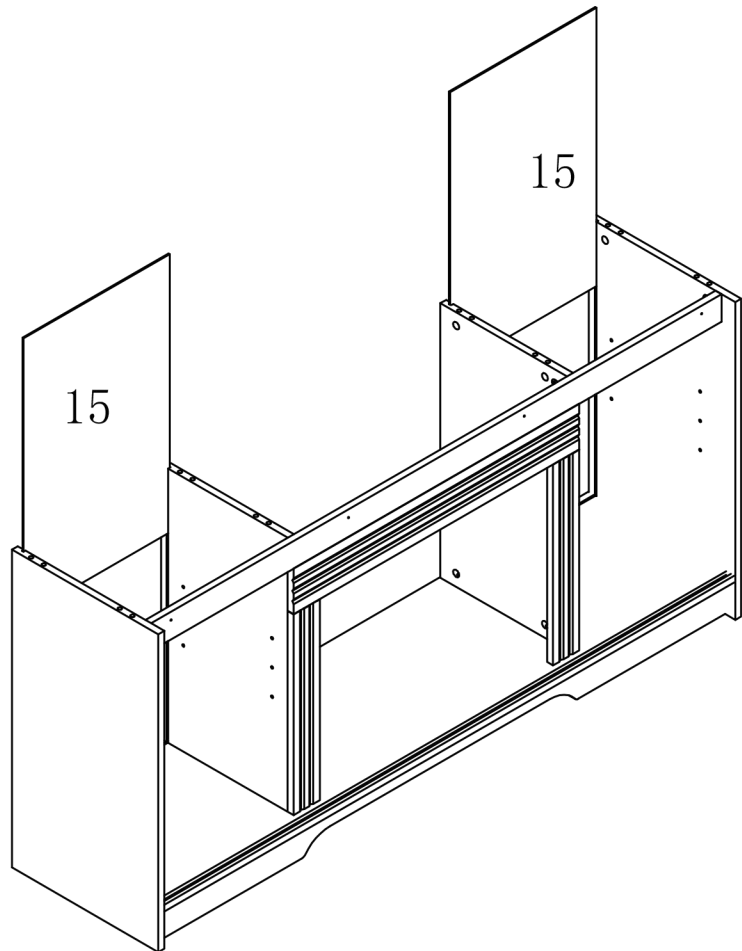
Insert dowel (E) into part (3,4).

Attach part (3,4) to part (9,2,10) through bolt (C) and dowel (E).

Insert and secure cam lock (D) to part (9,2,10) to lock part (3,4).



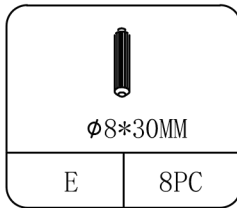
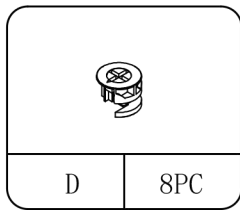
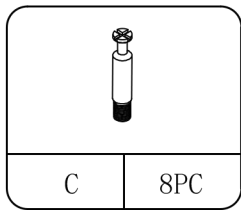
# STEP 6



Stand up the whole TV stand.

Slide part (15) into grooves of part (4,5) and part (3,6) as per diagram.

# STEP 7

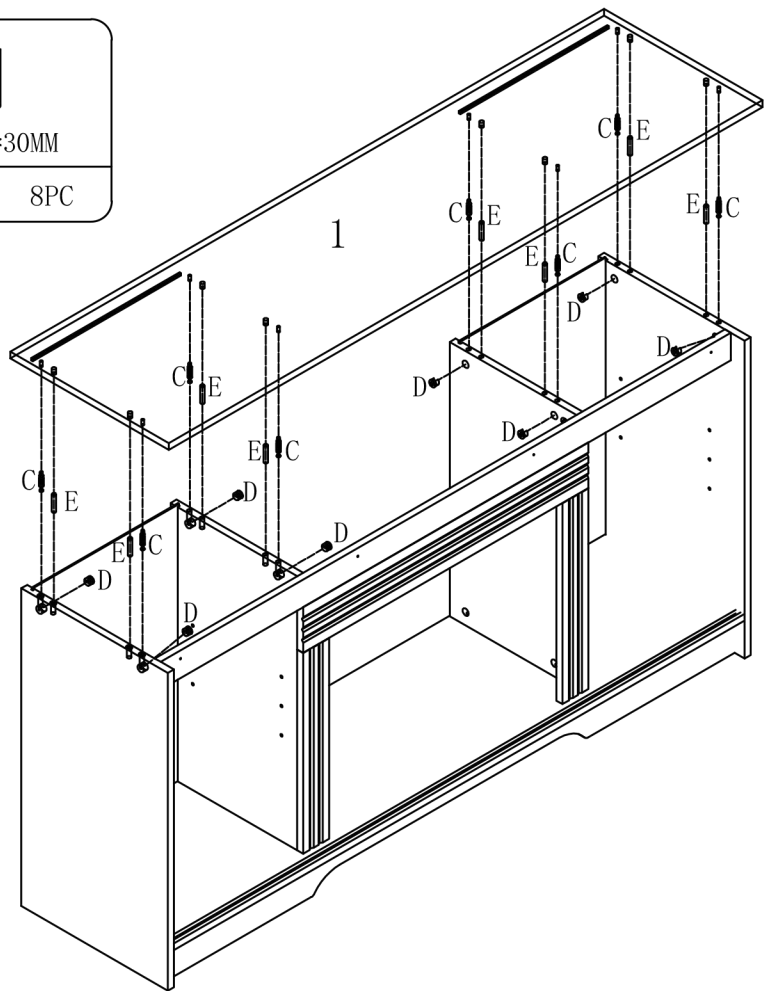


Insert cam bolt (C) to part (1) with screwdriver.

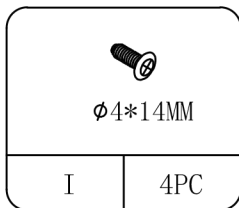
Insert dowel (E) into part (3,4,5,6).

Attach part (1) to part (3,4,5,6) through bolt (C) and dowel (E).

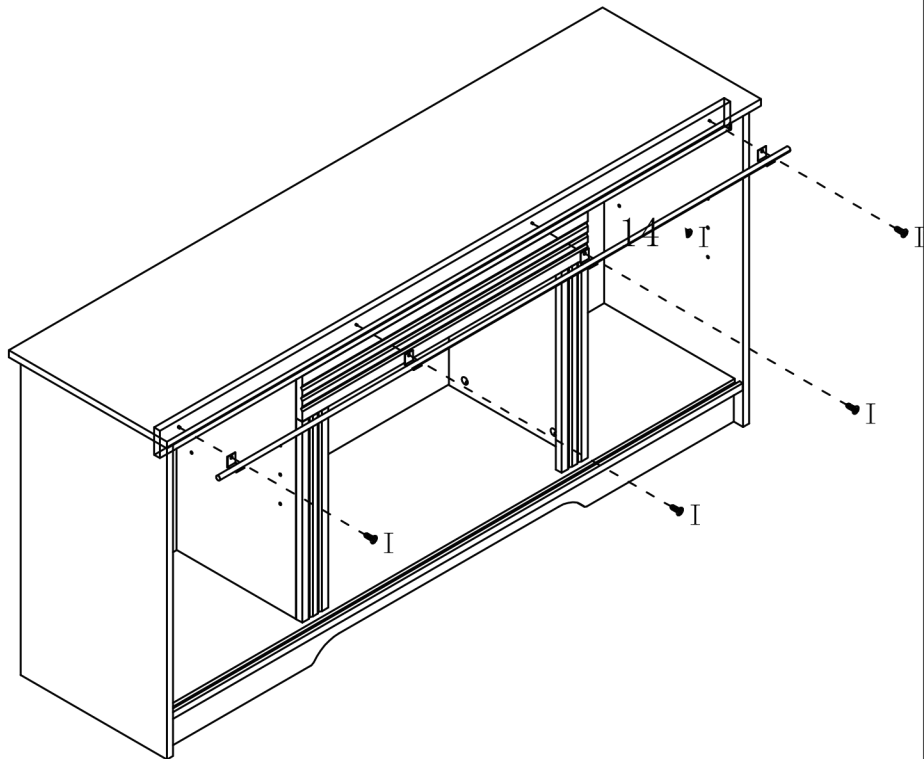
Insert and secure cam lock (D) to part (3,4,5,6) to lock part (1).



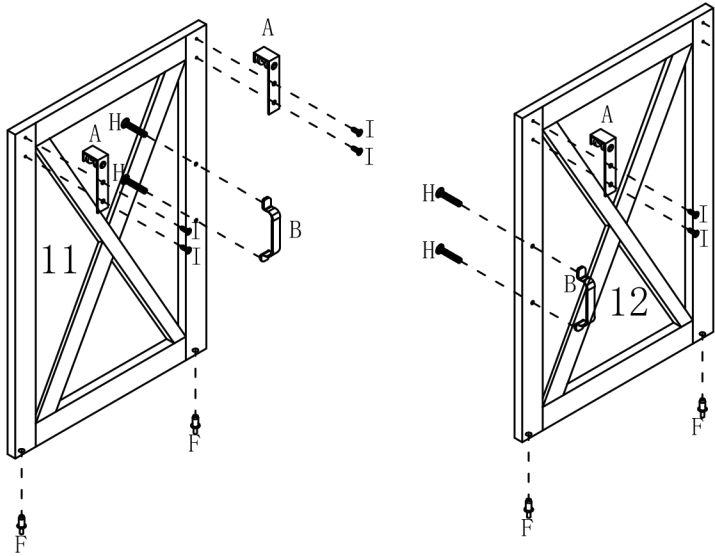
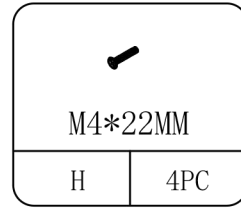
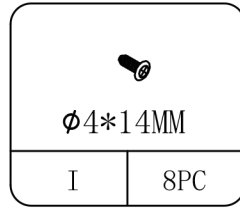
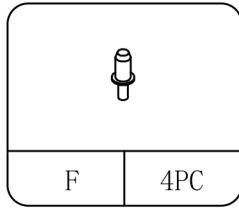
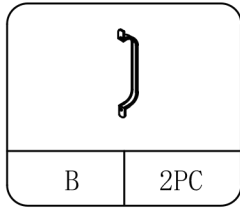
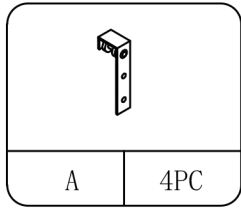
# STEP 8



Attach part (14) to using screw (I) with screwdriver.



# STEP 9

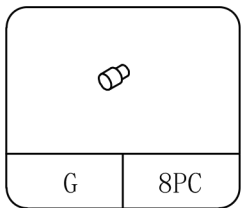


Attach handle (B) to part (11,12) using screw (H) with screwdriver.

Attach part (A) to part (11,12) using screw (I) with screwdriver.

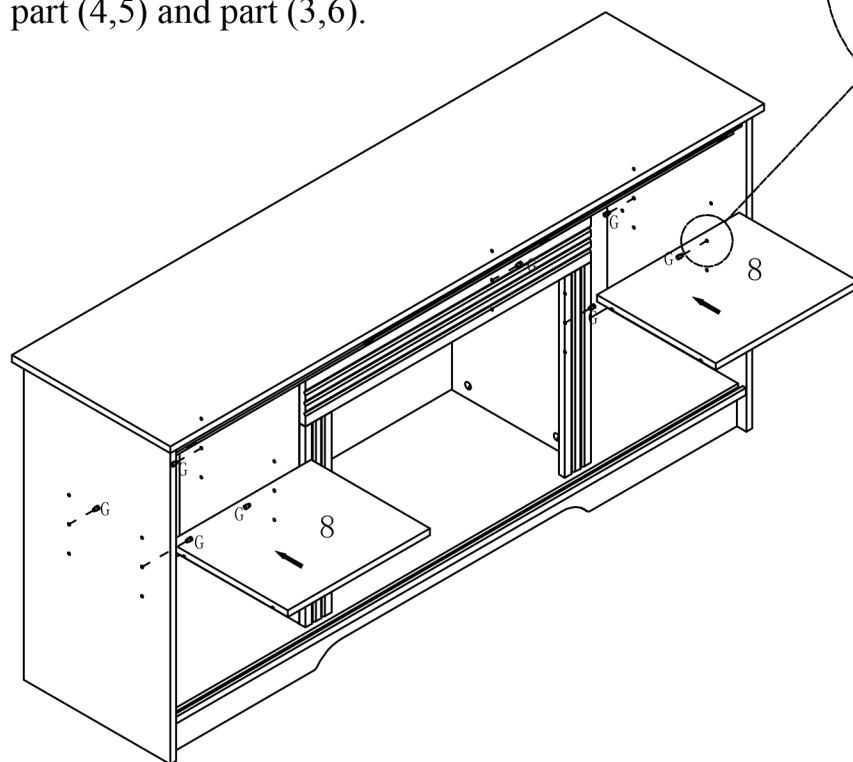
Install part (F) on bottom of part (11,12).

# STEP 10



Insert bolt (G) to part (3,4,5,6).

Insert part (8) horizontally between part (4,5) and part (3,6).



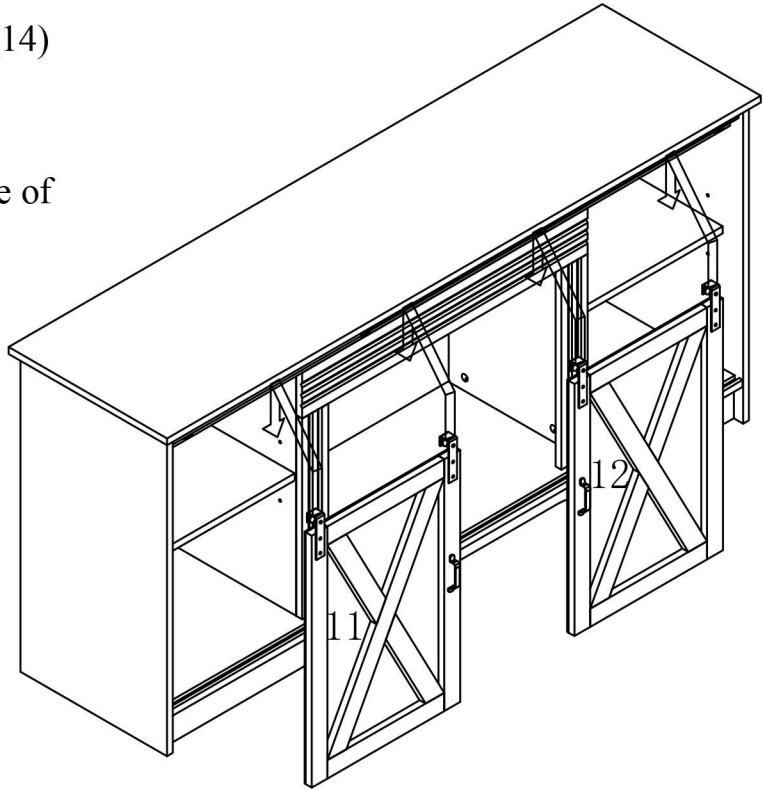
Put part (8) on top of bolt (G).

## STEP 11

---

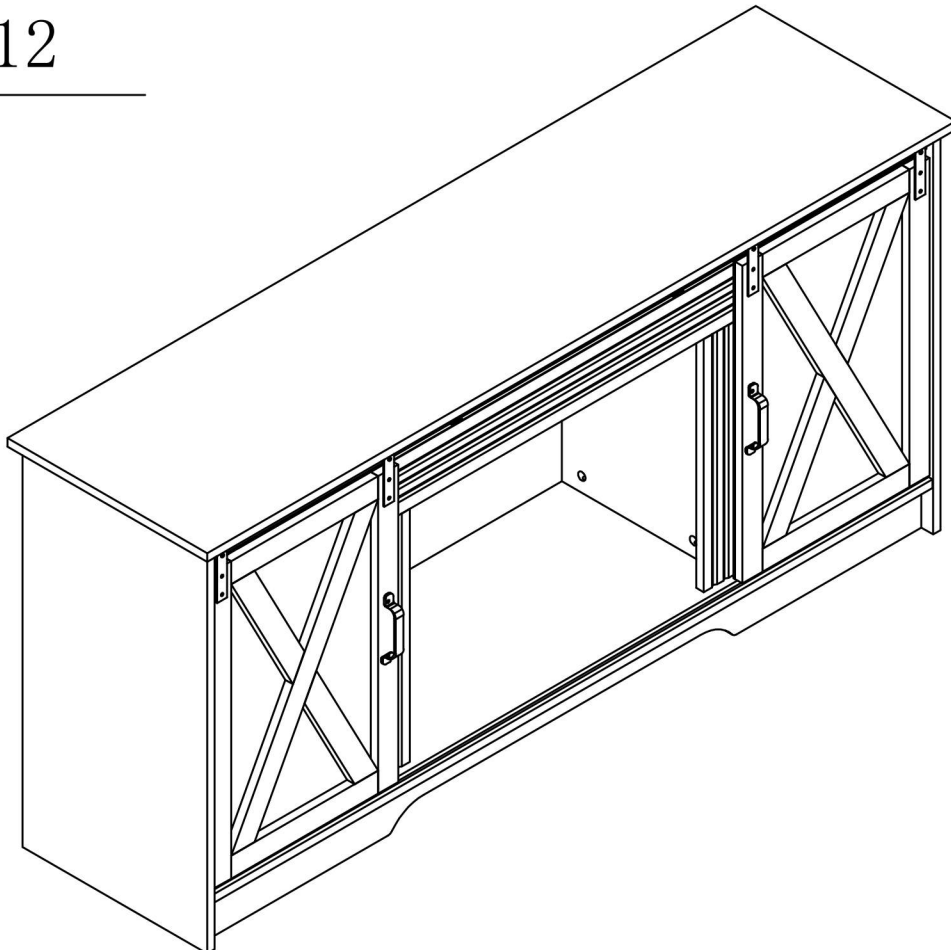
Hang part (11,12) on top of part(14)  
through part (A).

Insert part (F) stuck in the groove of  
part (2) as per diagram.

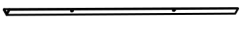

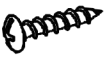


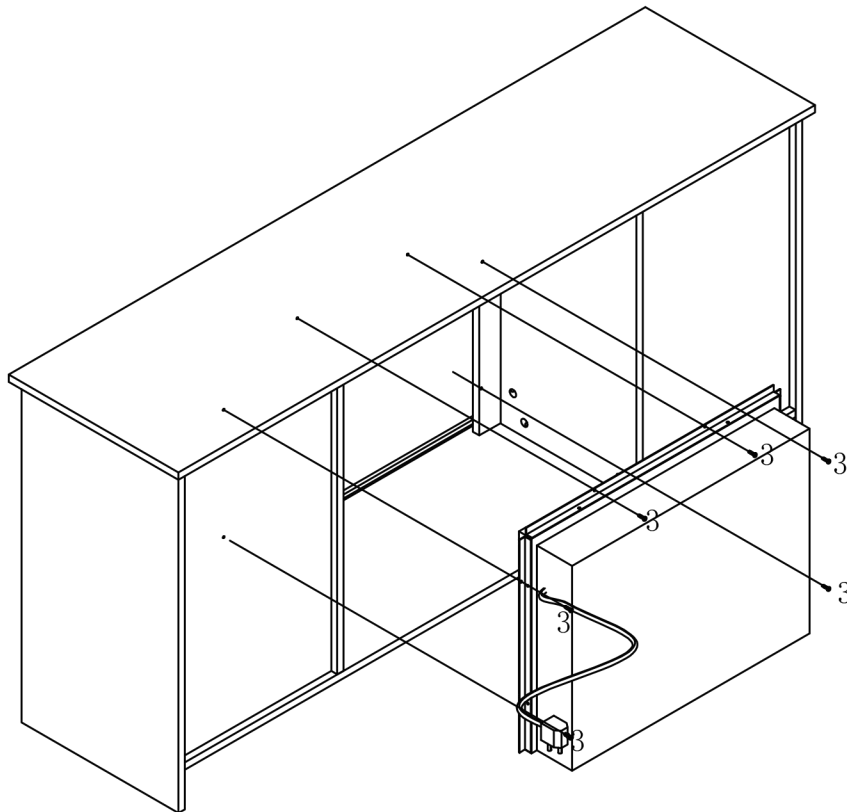
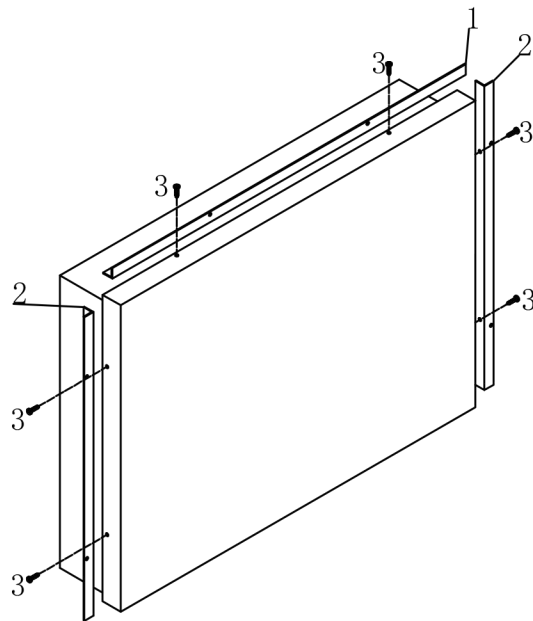
## STEP 12

---



# STEP 13

PART LIST	FIGURE	QUANTITY
1		1PC
2		2PC
3		12PC



Attach pieces (1, 2) to fireplace with screw (3)  
Put the fireplace in behind the farmhouse TV stand  
Attach fireplace to farmhouse TV stand with screw (3)

# STEP 14

---

