

Plat Surface

Typology: Pendant

Designed by: Nahtrang Design

Pendant Plat Surface LED 10.5W 2700K Black Amber 120-277V/60Hz

Technical features

Lampholder: LED

Total power consumption of light (W): 13

Delivered lumens: 738 (3000K)

Correlated Colour Temperature (CCT):

SW 2700-3000-4000K

Lens / Reflector Angle: FLOOD 89°

Structure Material: Steel

Structure Finish: Black

Diffuser Material: Glass

Diffuser Finish: Amber

Voltage / Frequency: 120-277V/60Hz

Useful life: 50,000h L80B20

Dimming protocol: PHASE CUT/O-10V/ELV

Warranty: 5 years





Easily recyclable luminaire

Logistics

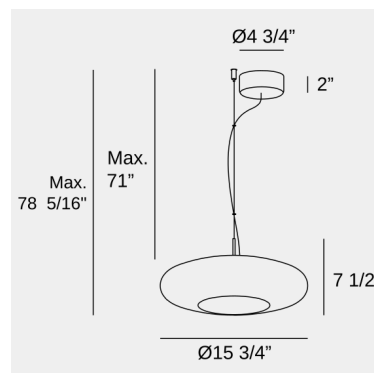
Net weight (lb): 6

Packaged weight (lb): 14

Packaging (in): 18 7/8" x 18 7/8" x 16"

DRY CRI90    

Export date: 11/25/22



Images do not show North American backplate