

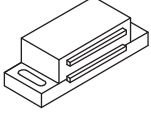

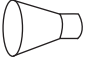
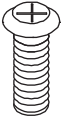



Aptos 1 Door Accent Cabinet





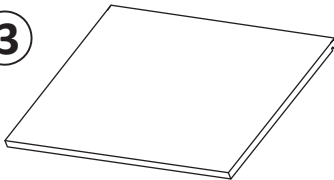
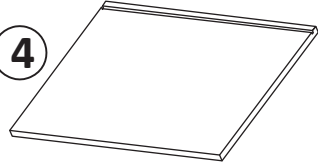
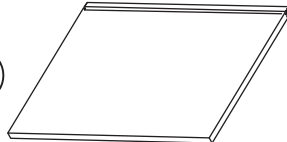
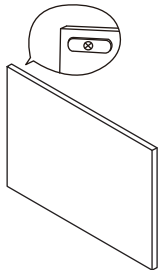
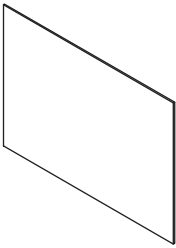
ASSEMBLY INSTRUCTIONS

We have designed our furniture with you , the customer in mind . Our clear , easy to follow , step by step instructions will guide you through the project from start to finish . Feel confident that this will be a fun and rewarding project . The final product will be a quality piece of furniture that will go together smoothly and give years of enjoyment .

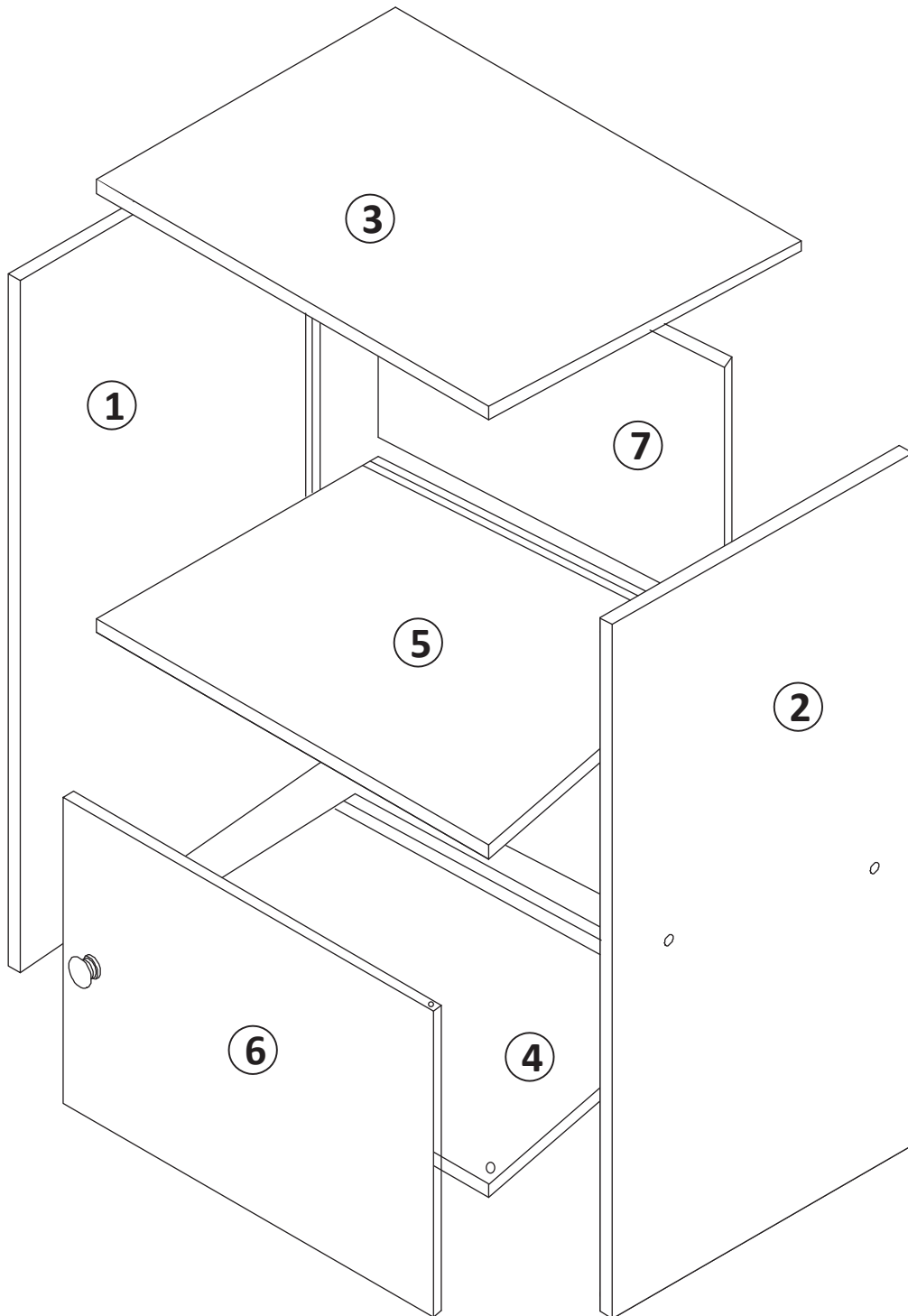
Hardware List

A 	B 	C 	D 
Magnet (1pc)	Magnet screw (2pcs)	Knob (1pc)	Knob screw (1pc)
E 	F 	G 	
Spring pins (2pcs)	Screw (12pcs)	Cap (12pcs)	

Panel List

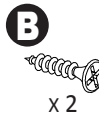
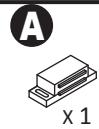
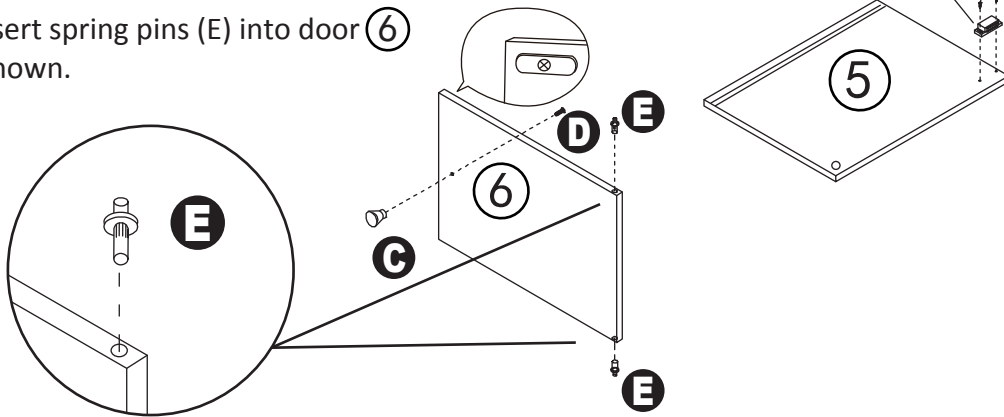
1 	2 	
Left side panel (1pc)	Right side panel (1pc)	
3 	4 	5 
Top panel (1pc)	Bottom panel (1pc)	Middle panel (1pc)
6 	7 	
Door panel (1pc)	Back panel (2pcs)	

Exploded Views



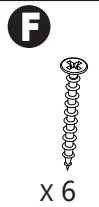
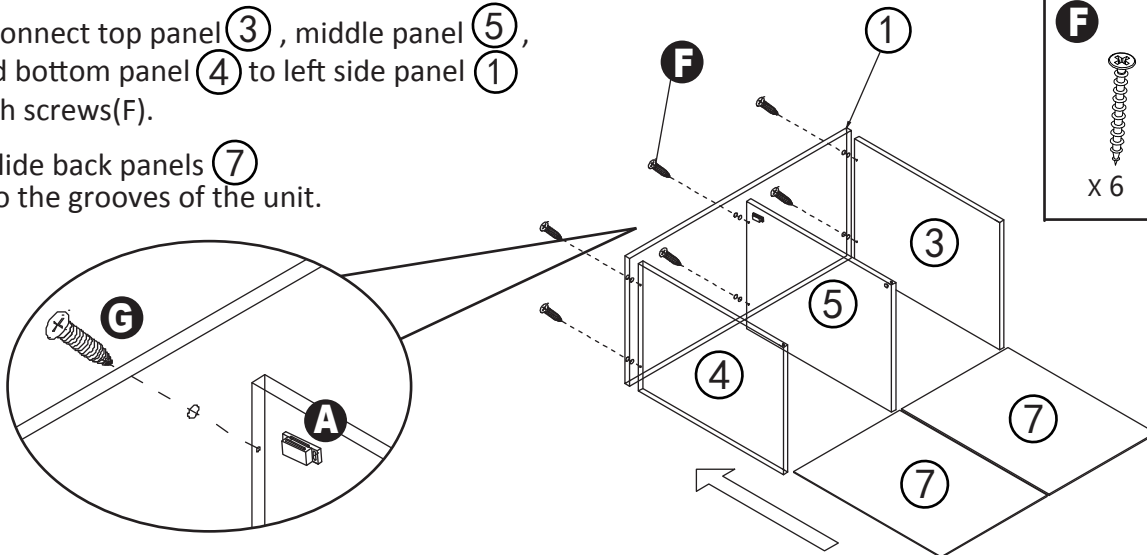
Step 1

1. Attach magnet (A) to the middle panel (5) with magnet screws (B).
2. Attach knob (C) to door (6) using knob screw (D).
3. Insert spring pins (E) into door (6) as shown.



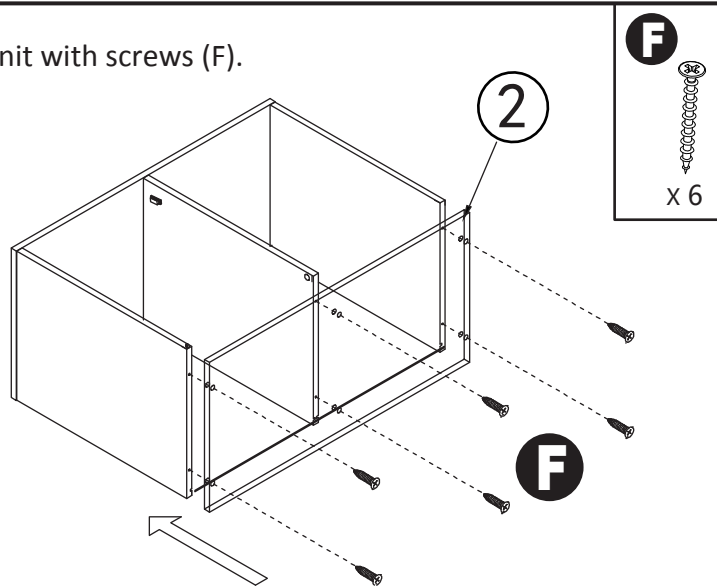
Step 2

1. Connect top panel (3), middle panel (5), and bottom panel (4) to left side panel (1) with screws (F).
2. Slide back panels (7) into the grooves of the unit.



Step 3

1. Connect right side panel (2) to unit with screws (F).

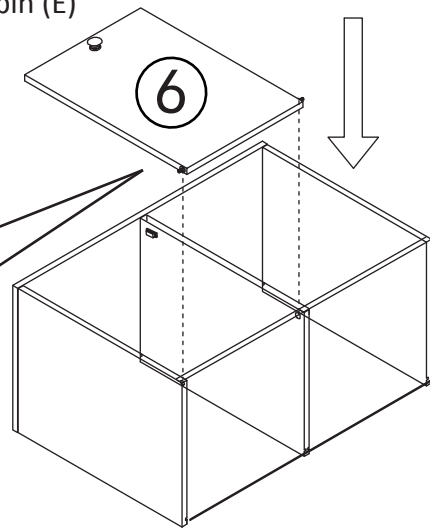
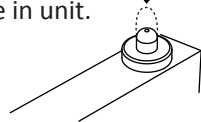


Step 4

1. Insert door ⑥ into unit by placing one end of spring pin (E) into hole, gently compress other spring pin (E) so that it will slide into remaining hole.

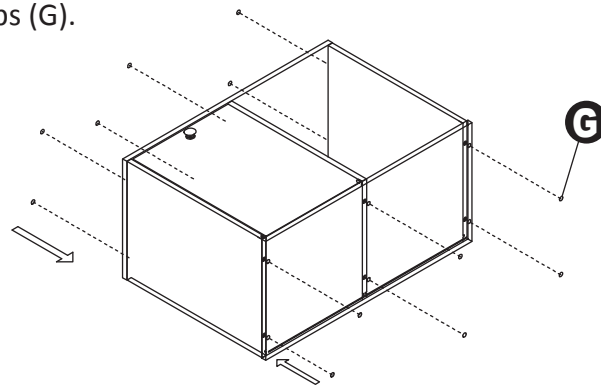
TO ATTACH DOORS

Push door spring pin (E) **Push** down. Align with pre-drilled hole in unit. Release.



Step 5

1. Cover the screw holes with caps (G).



G



x 12

Step 6

Enjoy!

