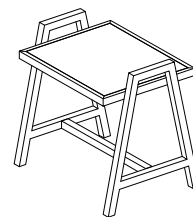




ASSEMBLY INSTRUCTIONS



#203-916

TOOLS REQUIRED:

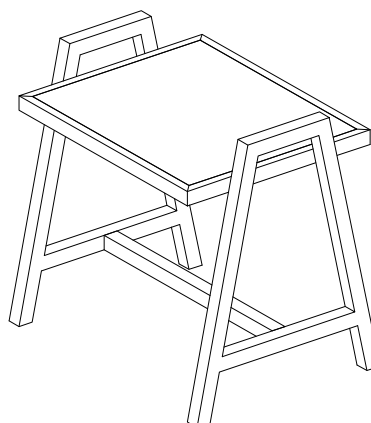
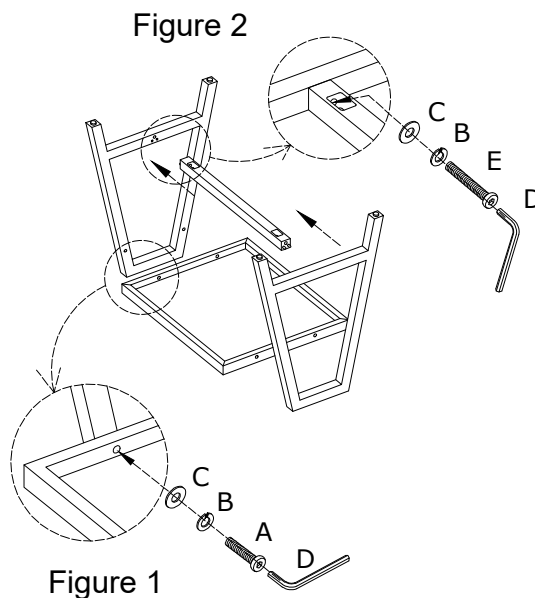
- Wrench (Provided, Part D)
- Phillips Screwdriver (Not provided)

BEFORE YOU START:

1. Check the hardwares against the hardware list to make sure all items are present.
2. Assemble your furniture on a soft, flat surface to avoid scratching the finish.
3. **CAUTION:** Do not over tighten screws, nuts or bolts during assembly.
4. Your furniture may require occasional tightening.

INSTRUCTIONS:

1. Turn the table top on to a clean soft surface.
2. Attach side frames to the top by using bolt (A), Lock Washer (B) and Flat Washer (C) and tighten with the Wrench (D) As shown in Figure 1. (Do not tighten Bolt).
3. Attach stretcher to side frames by using bolt (E), Lock Washer (B) and Flat Washer (C) and tighten with the Wrench (D) As shown in Figure 2.
4. Tighten all bolts before setting table back upright.



HARDWARE LIST			
A		Bolt (Ø1/4"x 1-1/4)	4pcs
B		Lock Washer (Ø1/4")	6pcs
C		Flat Washer (Ø1/4"*Ø16)	6pcs
D		Allen Wrench (4MM)	1pc
E		Bolt (Ø1/4"x 1-3/4)	2pc

