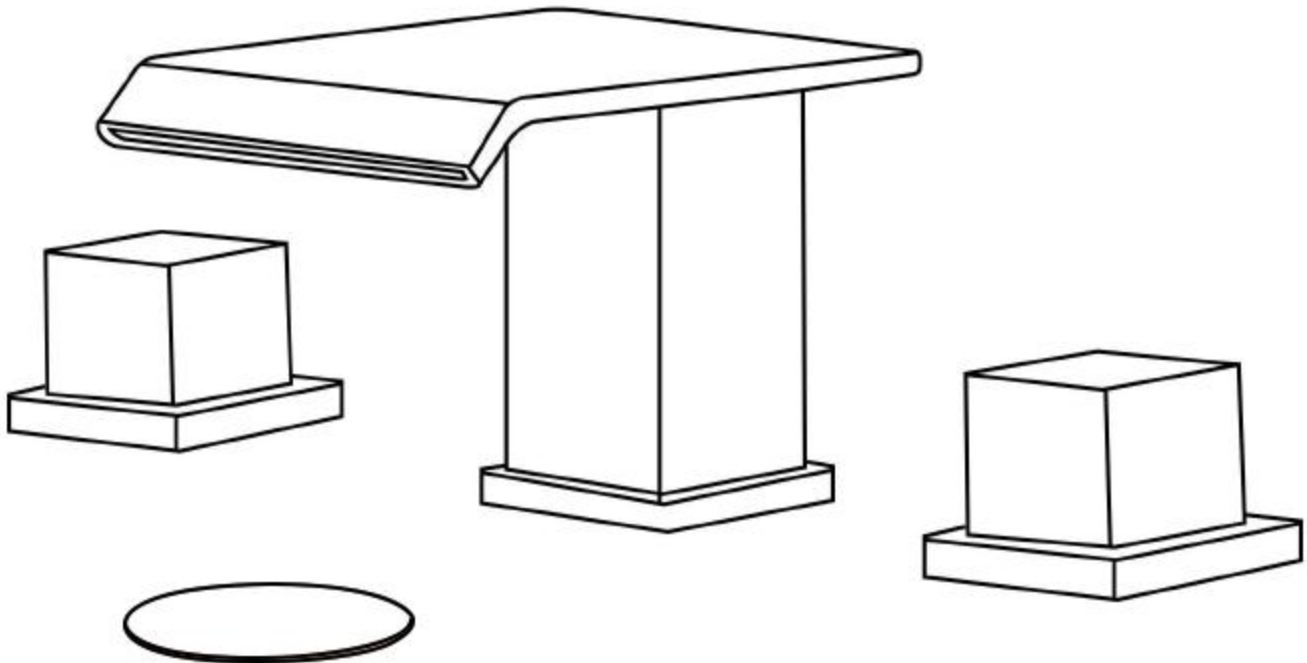


User's Manual



INSTALLATION INSTRUCTIONS

Installation Manual



IAPMO RESEARCH AND TESTING, INC.
300 East Philadelphia Street, Ontario, California 91764-2874 USA • 951-471-4700 • 951-471-4201 • www.iapmo.org

ANSI **IAPMO** **UPC**

CERTIFICATE OF LISTING

This certificate is an indication of system listing. It is not a listing of products. For more information, visit the IAPMO R&T website at www.iapmo.org.

REFERENCE NAME: FINISHING KIT
MODEL: FINISHING KIT
DATE LISTED: 06/20/2014

ISSUED TO: **FINISHING KIT**
Fisher Group, Inc.
Mechanical & Electrical
Professional Sales
Fisher Group, Inc.
Fisher Group, Inc.
Fisher Group, Inc.
Fisher Group, Inc.

DESCRIPTION: FINISHING KIT SHALL BE USED WITH MANUFACTURER'S SINK BY INSTALLING A FINISHING KIT WITH SINK TO COMPLETE INSTALLATION. THE FINISHING KIT SHALL BE USED TO COMPLETE INSTALLATION OF THE SINK TO THE MANUFACTURER'S SINK. THE FINISHING KIT SHALL BE USED TO COMPLETE INSTALLATION OF THE SINK TO THE MANUFACTURER'S SINK. THE FINISHING KIT SHALL BE USED TO COMPLETE INSTALLATION OF THE SINK TO THE MANUFACTURER'S SINK.

REMARKS: FINISHING KIT SHALL BE USED WITH MANUFACTURER'S SINK BY INSTALLING A FINISHING KIT WITH SINK TO COMPLETE INSTALLATION. THE FINISHING KIT SHALL BE USED TO COMPLETE INSTALLATION OF THE SINK TO THE MANUFACTURER'S SINK. THE FINISHING KIT SHALL BE USED TO COMPLETE INSTALLATION OF THE SINK TO THE MANUFACTURER'S SINK.

Tom Collins *Ron Chong*
IAPMO R&T
IAPMO R&T

IAPMO RESEARCH AND TESTING, INC.
300 East Philadelphia Street, Ontario, California 91764-2874 USA • 951-471-4700 • 951-471-4201 • www.iapmo.org

ANSI **IAPMO** **UPC**

CERTIFICATE OF LISTING

This certificate is an indication of system listing. It is not a listing of products. For more information, visit the IAPMO R&T website at www.iapmo.org.

REFERENCE NAME: FINISHING KIT
MODEL: FINISHING KIT
DATE LISTED: 06/20/2014

ISSUED TO: **FINISHING KIT**
Fisher Group, Inc.
Mechanical & Electrical
Professional Sales
Fisher Group, Inc.
Fisher Group, Inc.
Fisher Group, Inc.
Fisher Group, Inc.

DESCRIPTION: FINISHING KIT SHALL BE USED WITH MANUFACTURER'S SINK BY INSTALLING A FINISHING KIT WITH SINK TO COMPLETE INSTALLATION. THE FINISHING KIT SHALL BE USED TO COMPLETE INSTALLATION OF THE SINK TO THE MANUFACTURER'S SINK. THE FINISHING KIT SHALL BE USED TO COMPLETE INSTALLATION OF THE SINK TO THE MANUFACTURER'S SINK.

REMARKS: FINISHING KIT SHALL BE USED WITH MANUFACTURER'S SINK BY INSTALLING A FINISHING KIT WITH SINK TO COMPLETE INSTALLATION. THE FINISHING KIT SHALL BE USED TO COMPLETE INSTALLATION OF THE SINK TO THE MANUFACTURER'S SINK. THE FINISHING KIT SHALL BE USED TO COMPLETE INSTALLATION OF THE SINK TO THE MANUFACTURER'S SINK.

Tom Collins *Ron Chong*
IAPMO R&T
IAPMO R&T

IAPMO RESEARCH AND TESTING, INC.
300 East Philadelphia Street, Ontario, California 91764-2874 USA • 951-471-4700 • 951-471-4201 • www.iapmo.org

ANSI **IAPMO** **UPC**

CERTIFICATE OF LISTING

This certificate is an indication of system listing. It is not a listing of products. For more information, visit the IAPMO R&T website at www.iapmo.org.

REFERENCE NAME: FINISHING KIT
MODEL: FINISHING KIT
DATE LISTED: 06/20/2014

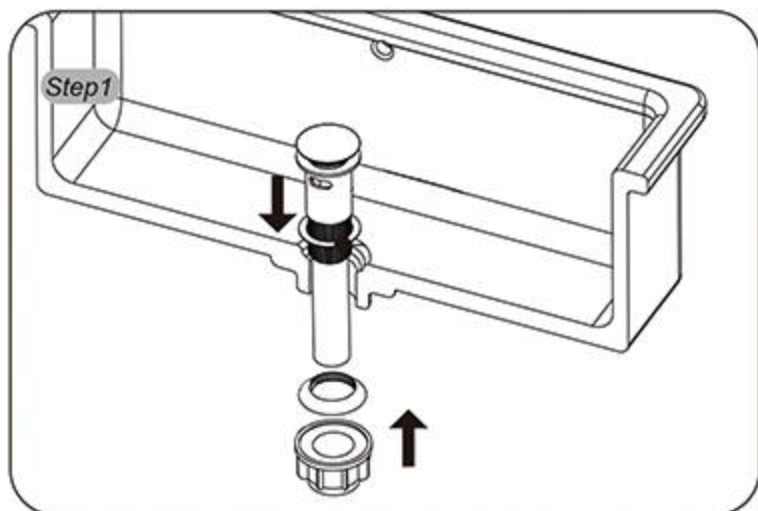
ISSUED TO: **FINISHING KIT**
Fisher Group, Inc.
Mechanical & Electrical
Professional Sales
Fisher Group, Inc.
Fisher Group, Inc.
Fisher Group, Inc.
Fisher Group, Inc.

DESCRIPTION: FINISHING KIT SHALL BE USED WITH MANUFACTURER'S SINK BY INSTALLING A FINISHING KIT WITH SINK TO COMPLETE INSTALLATION. THE FINISHING KIT SHALL BE USED TO COMPLETE INSTALLATION OF THE SINK TO THE MANUFACTURER'S SINK. THE FINISHING KIT SHALL BE USED TO COMPLETE INSTALLATION OF THE SINK TO THE MANUFACTURER'S SINK.

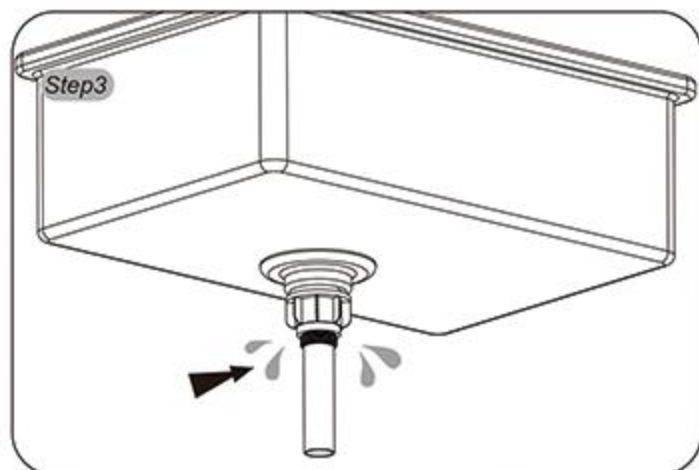
REMARKS: FINISHING KIT SHALL BE USED WITH MANUFACTURER'S SINK BY INSTALLING A FINISHING KIT WITH SINK TO COMPLETE INSTALLATION. THE FINISHING KIT SHALL BE USED TO COMPLETE INSTALLATION OF THE SINK TO THE MANUFACTURER'S SINK. THE FINISHING KIT SHALL BE USED TO COMPLETE INSTALLATION OF THE SINK TO THE MANUFACTURER'S SINK.

Tom Collins *Ron Chong*
IAPMO R&T
IAPMO R&T

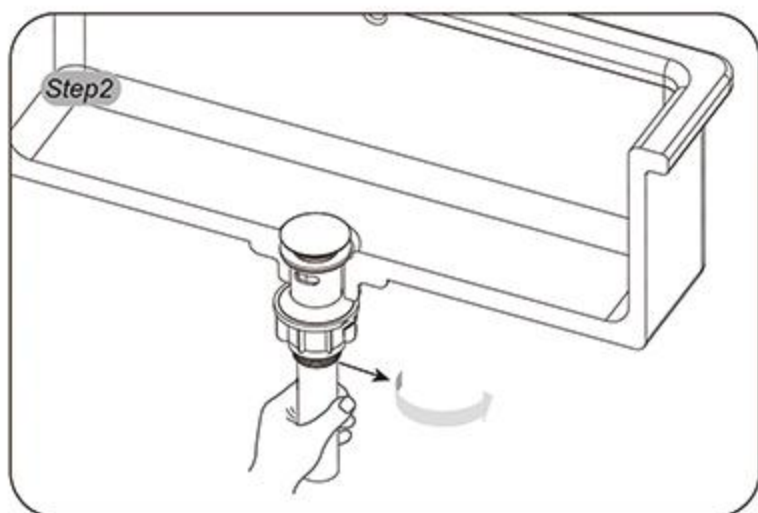
INSTALLATION STEPS



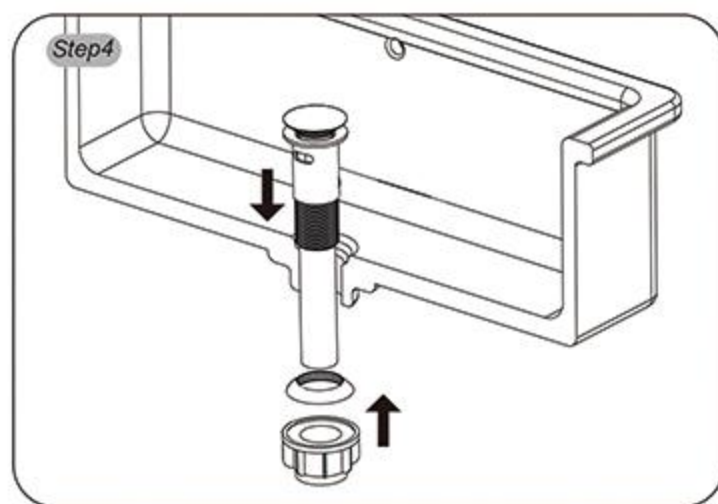
Disassembly part and insert the drain pipe into the holes of basin sink, please sure the small gasket is above the basin hole, then put and onto the drain pipe;



Check whether leakage happened here under the basin sink; You need apply some silicone to prevent leakage issue if there is leakage under the basin sink, Follow steps 4 to apply the silicone and complete installation;



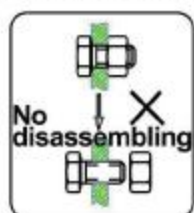
Tighten the fasten nut by hand;



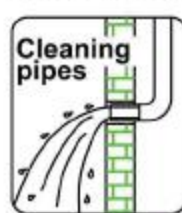
At this step, small gasket is not needed, please follow the step 2 and step 3 to complete installation.

INSTALLATION STEPS

This product has been inspected and debugged by the factory to the best condition. Please do not disassemble and assemble it yourself.

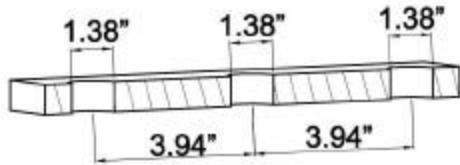


Before installing the product, please be sure to remove sundries and sludge from the water pipe to prevent sundries from blocking the product.

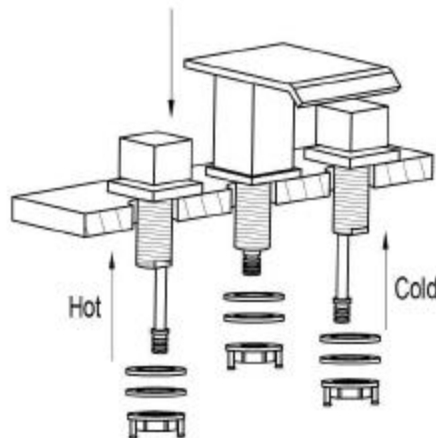


INSTALLATION STEPS

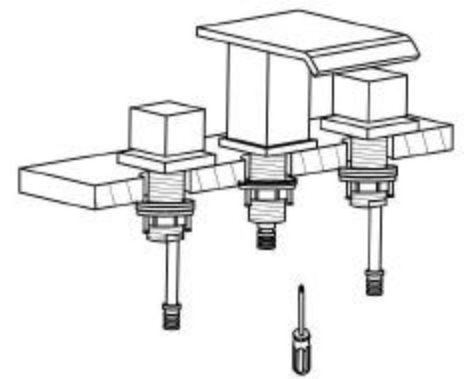
1. Three Holes Faucet.
Hole: $\text{Ø}35\text{mm}/1.38''$,
Distance: $100\text{mm}/3.94''$



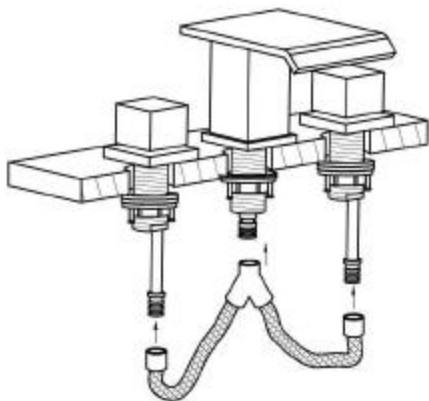
2. Dispatch the parts.



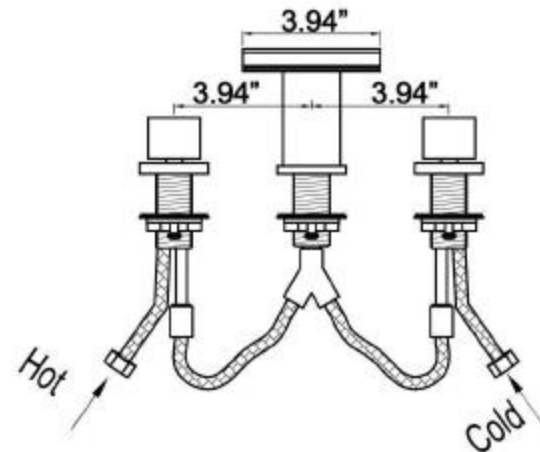
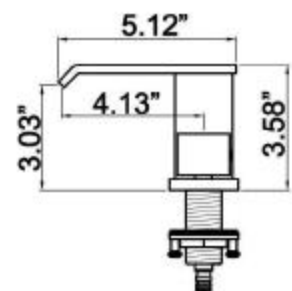
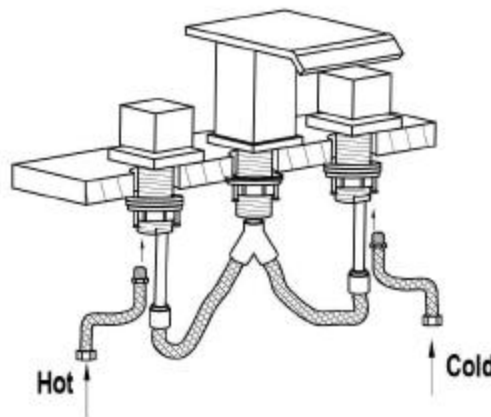
3. Fixed on the counter and screw it.



4. Connect the pipe of spout and two handles.



5. Then fit the hot/cold water supply.



CLEANING CARE

In order to keep the appearance of product clean, bright and good performance, please take care of the product as follows;

1. Rinse with water only and dry with soft cotton cloth;
2. Use mild liquid and colorless glass cleaner to remove surface dirt and scale film, or use polish without abrasive effect;
3. Do not use abrasive detergent, polish, emery cloth, paper towel or scraper, etc;
4. Do not use acid cleaner, or cleaner and soap with insoluble gran etc;
5. In the process of use, mud may accumulate in the bubbler and make the water flow show, The bubbler can be unscrewed, rinsed with water, and then installed back in place.



Please feel free to contact us if you have any questions. We will help to solve the issue together with you.

