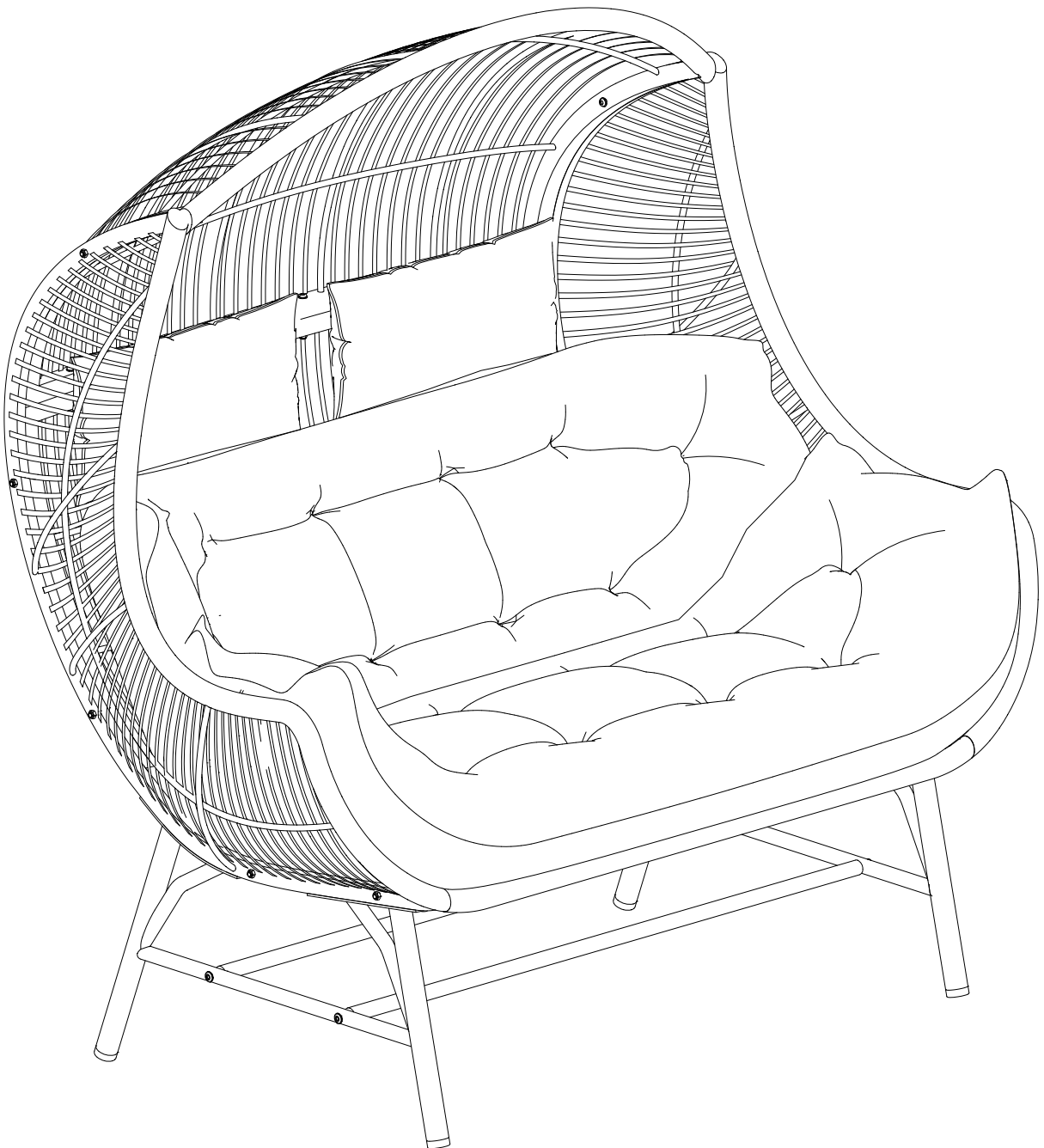


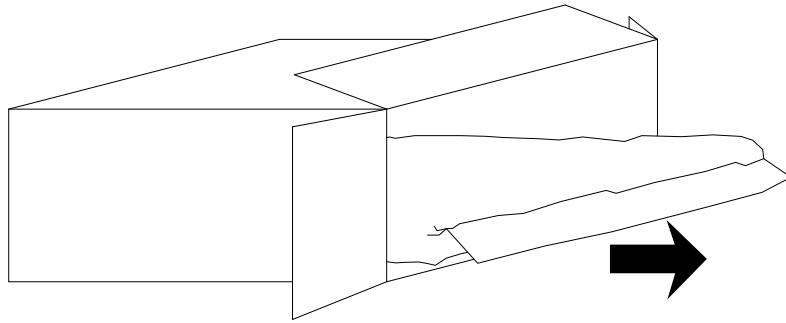
Assembly Instructions



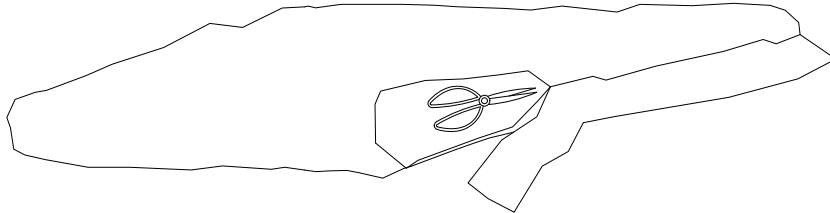
● Warning

1. Children are not allowed to assemble this product, nor to stand, climb, or play on the product to prevent falls and serious physical injuries.
2. Keep plastic packaging bags away from children to avoid any potential dangers such as suffocation.
3. Avoid using sharp objects or corrosive chemicals to prevent damage to the product or physical injuries.

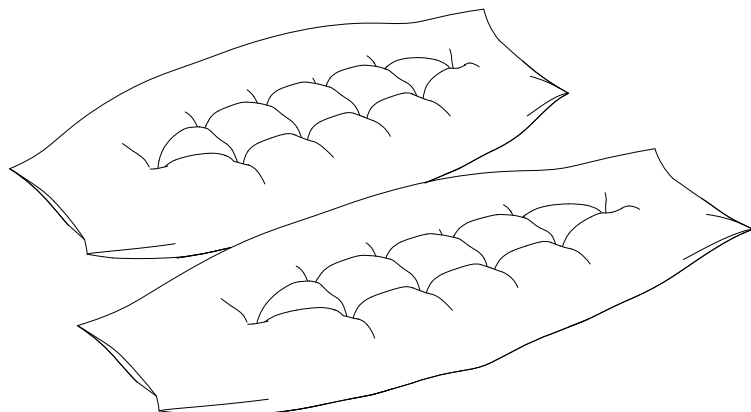
- 1** Remove the carton packaging and take cushion out



- 2** Remove the plastic bags carefully and avoid using sharp tools and knives that could risk scratching the fabric.



- 3** Let it stand for 72 hours. (High-density foam cushion are compressed for easier shipping and handling. Upon unboxing, they need 72 hours to fully expand and regain their optimal shape and comfort. This period allows the foam to properly aerate and reabsorb air, ensuring the cushion performs at its best.)

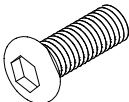
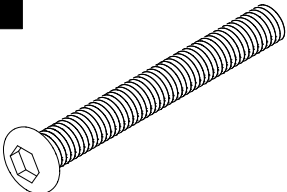
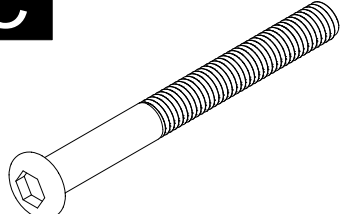
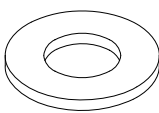
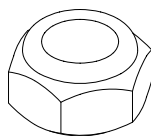
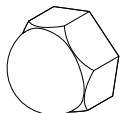
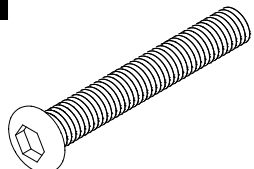


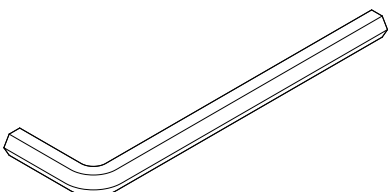
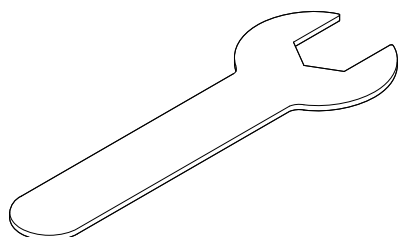
● Warning

1. The screws for each step should be tightened only to 70% of their full capacity. When the overall framework is fully assembled, all the screws will be tightened together at the end.

2. To avoid damaging the screws, it is recommended not to use a power drill with high power.

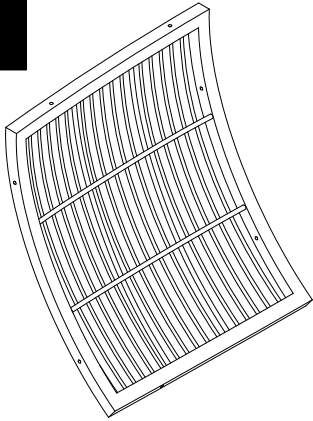
HARDWARE LIST

A  x8 M6x20	B  x10 M6x45	C  x10 M6x55
D  x52	E  x20	F  x20
G  x4 M6x35		

 x1	 x1
---	--

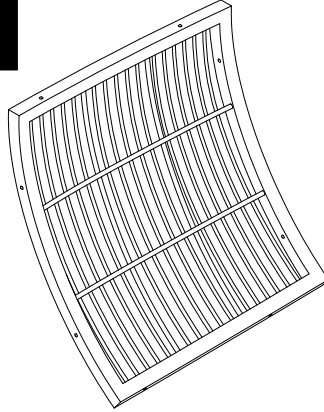
PART LIST

1



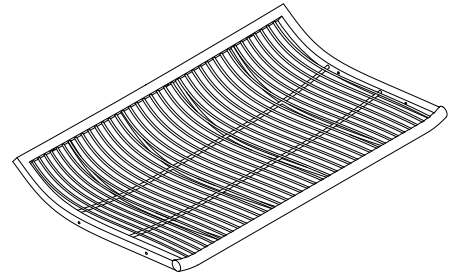
x1

2



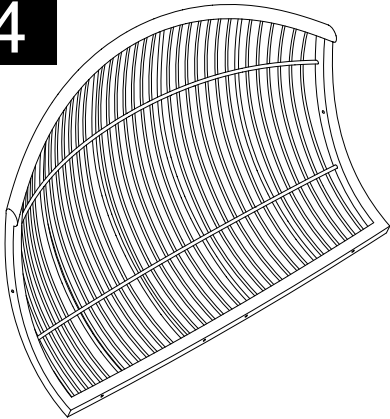
x1

3



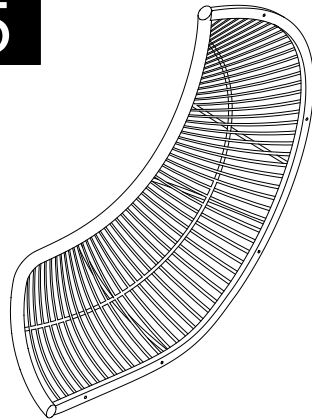
x1

4



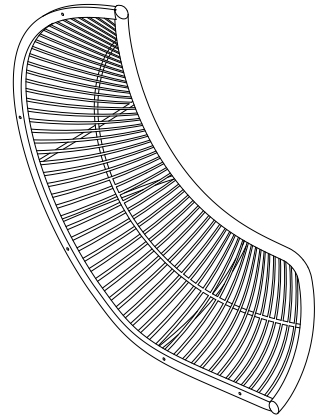
x1

5



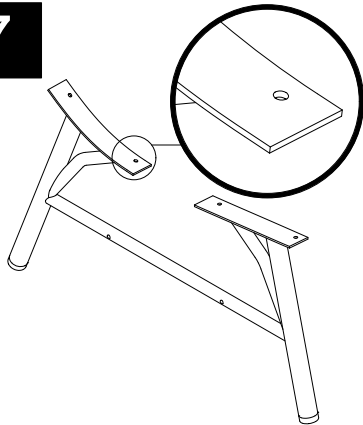
x1

6



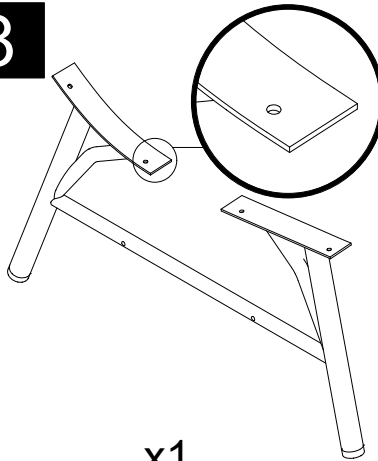
x1

7



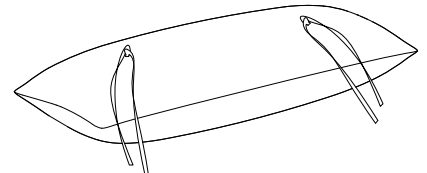
x1

8



x1

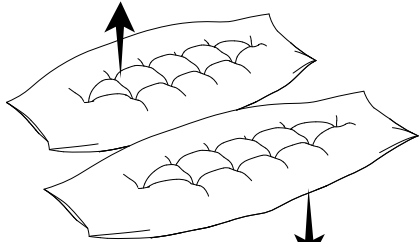
9



x2

10

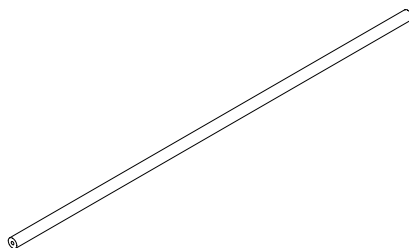
Short Cushion=Back Cushion



Long Cushion=Seat Cushion

x1

11



x2

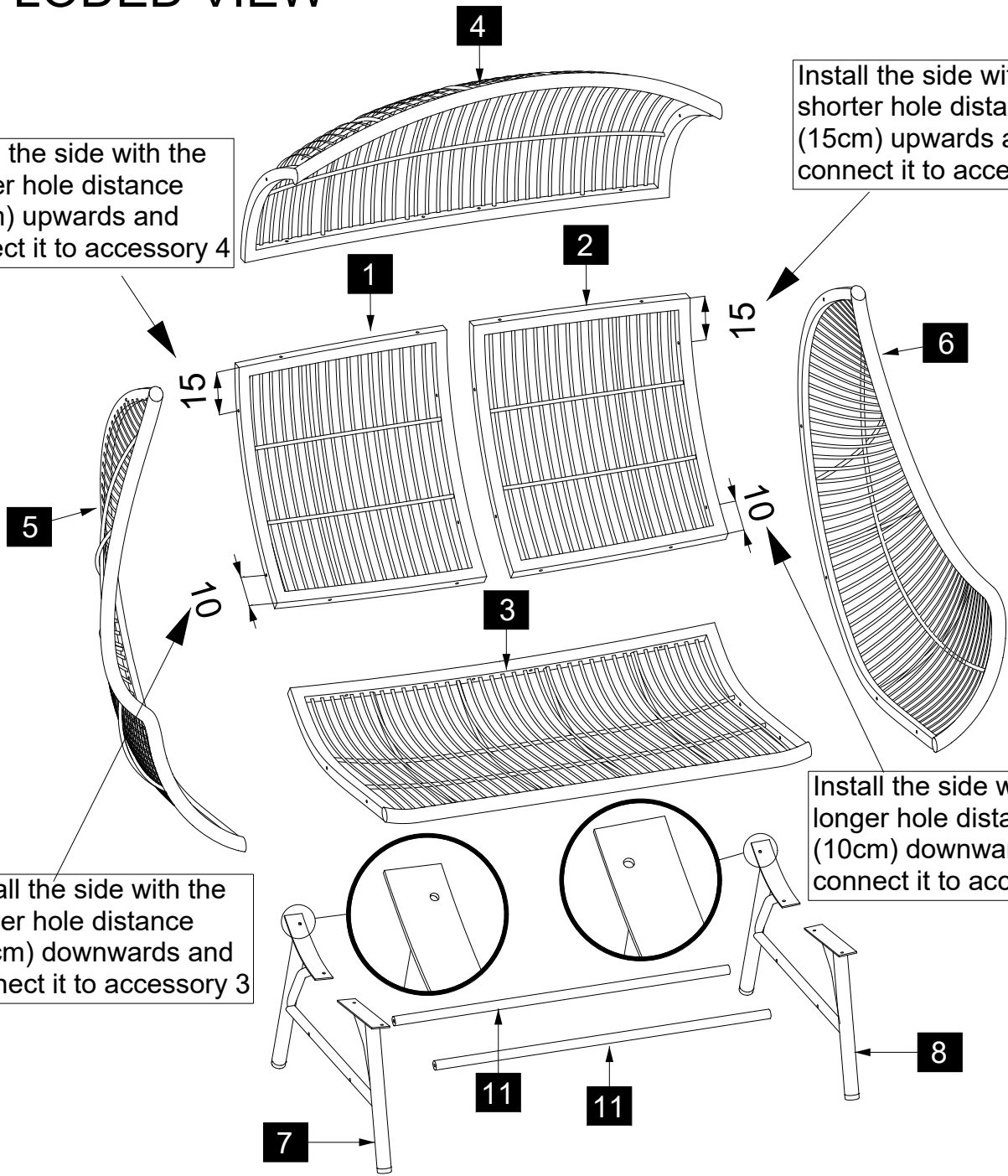
EXPLODED VIEW

Install the side with the shorter hole distance (15cm) upwards and connect it to accessory 4

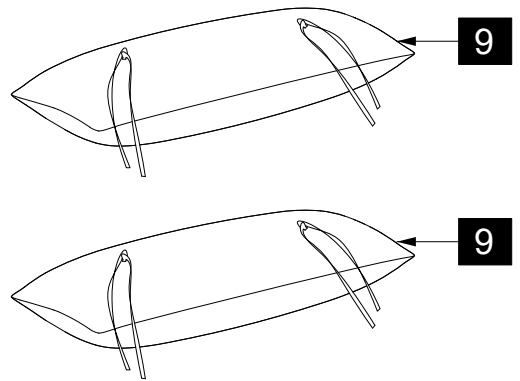
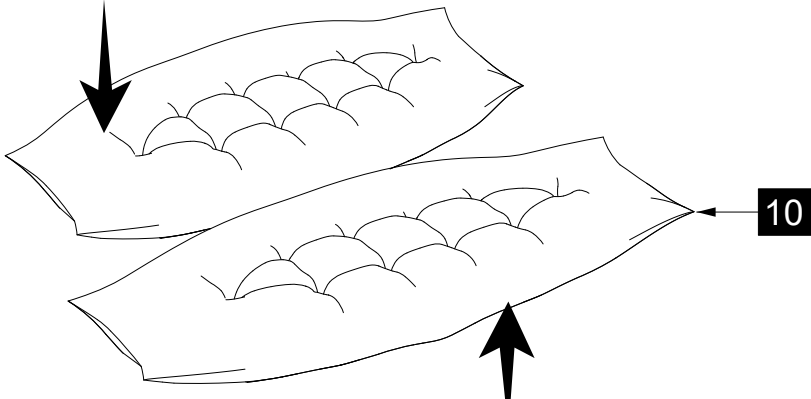
Install the side with the shorter hole distance (15cm) upwards and connect it to accessory 4

Install the side with the longer hole distance (10cm) downwards and connect it to accessory 3

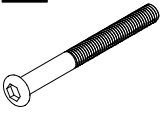
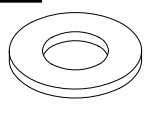
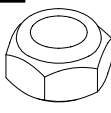
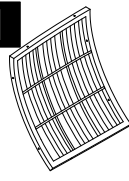
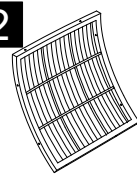
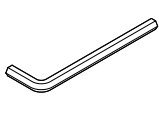
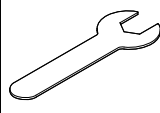
Install the side with the longer hole distance (10cm) downwards and connect it to accessory 3



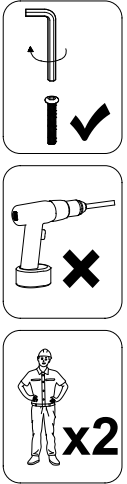
Short Cushion=Back Cushion



1

C  x2 M6x55	D  x4	E  x2	1  x1	2  x1	 x1	 x1
---	---	---	---	---	---	---

The screws for each step should be tightened only to 70% of their full capacity. When the overall framework is fully assembled, all the screws will be tightened together at the end.



1

C

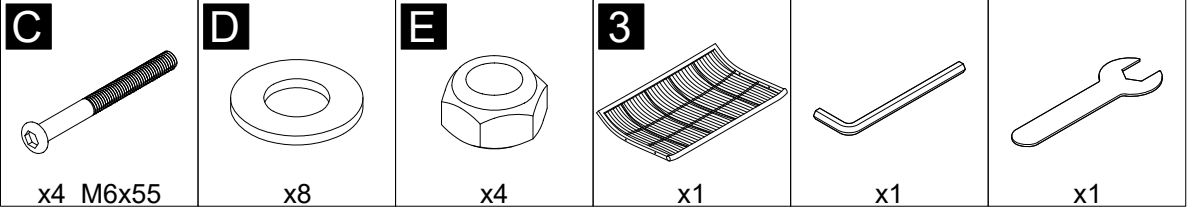
D

2

D

E

2

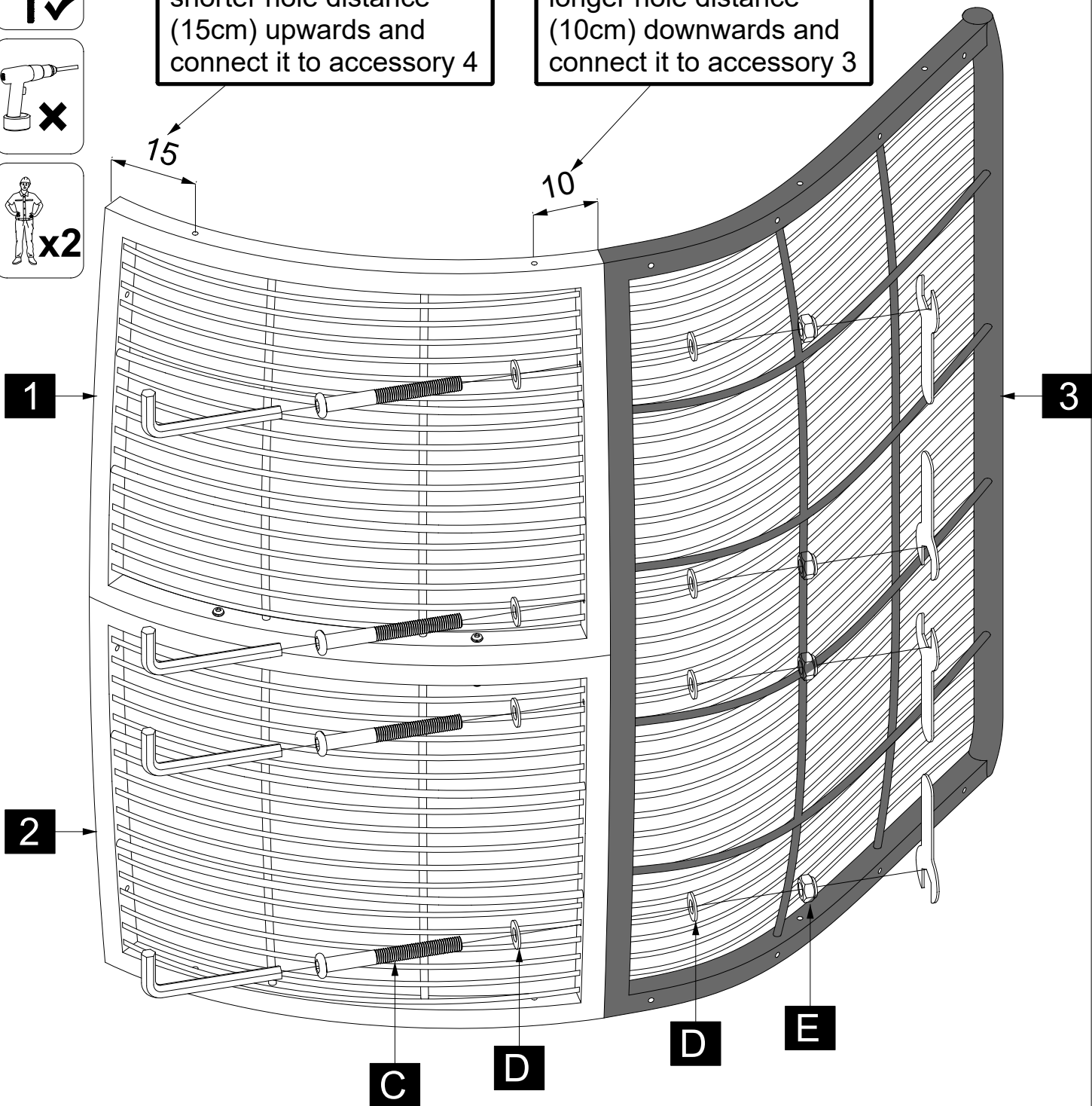


The screws for each step should be tightened only to 70% of their full capacity. When the overall framework is fully assembled, all the screws will be tightened together at the end.

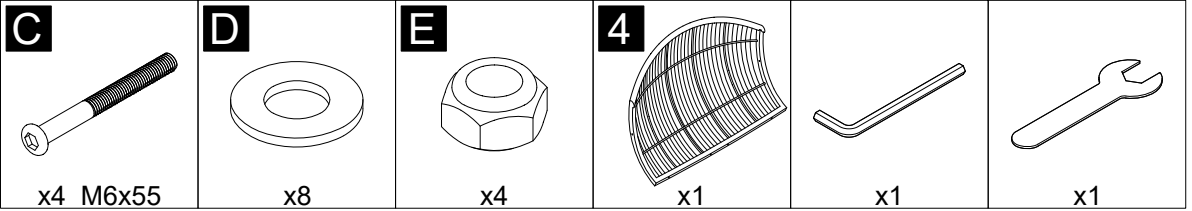


Install the side with the shorter hole distance (15cm) upwards and connect it to accessory 4

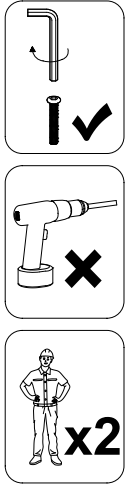
Install the side with the longer hole distance (10cm) downwards and connect it to accessory 3



3

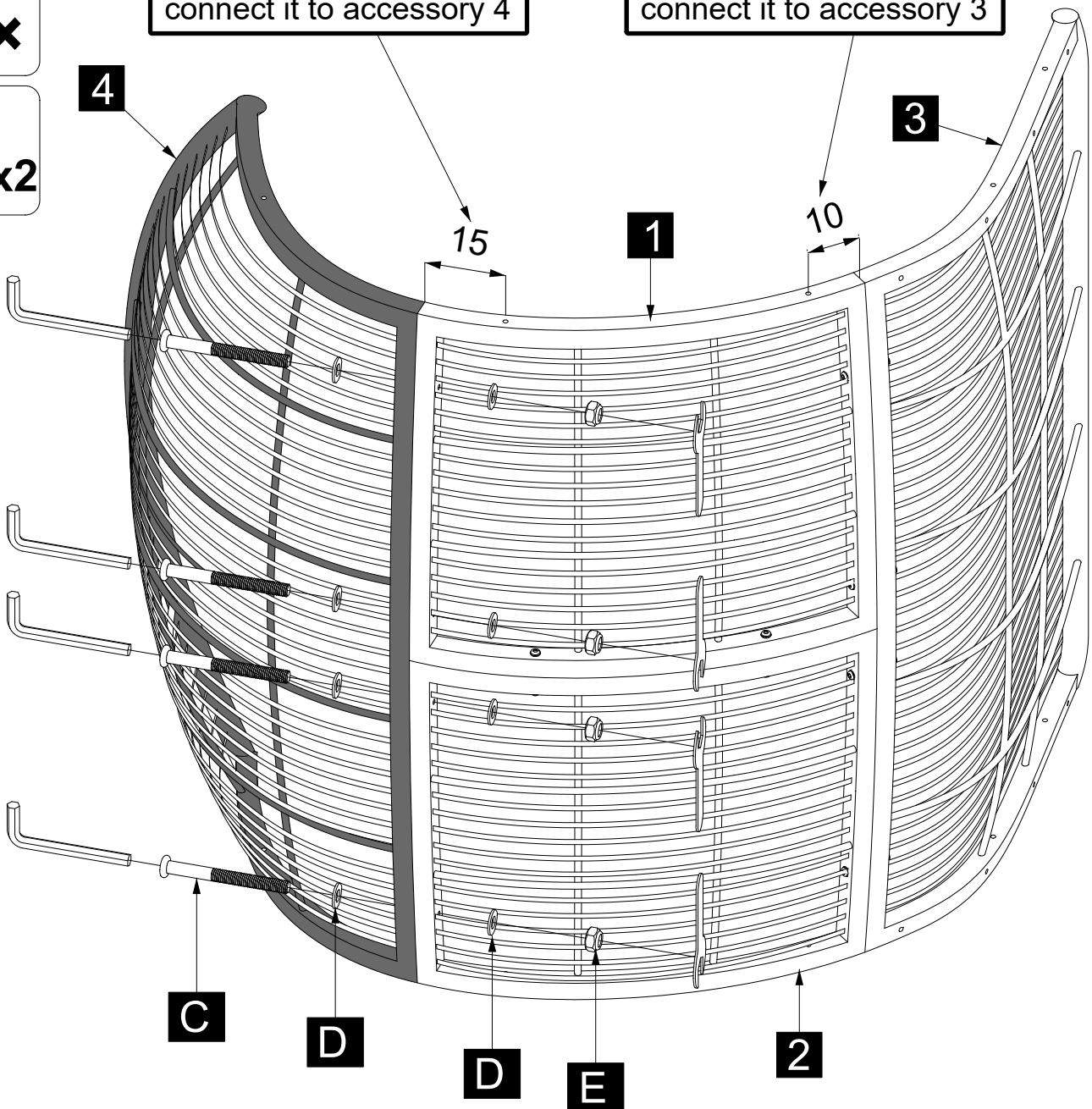


The screws for each step should be tightened only to 70% of their full capacity. When the overall framework is fully assembled, all the screws will be tightened together at the end.

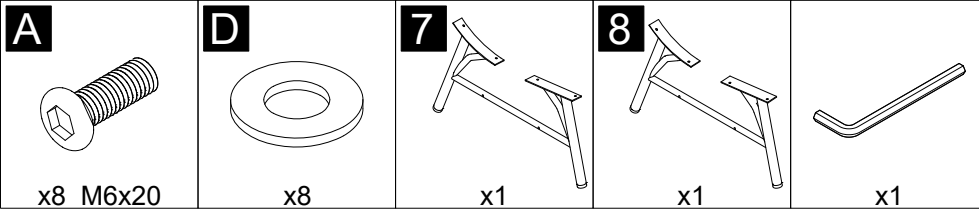


Install the side with the shorter hole distance (15cm) upwards and connect it to accessory 4

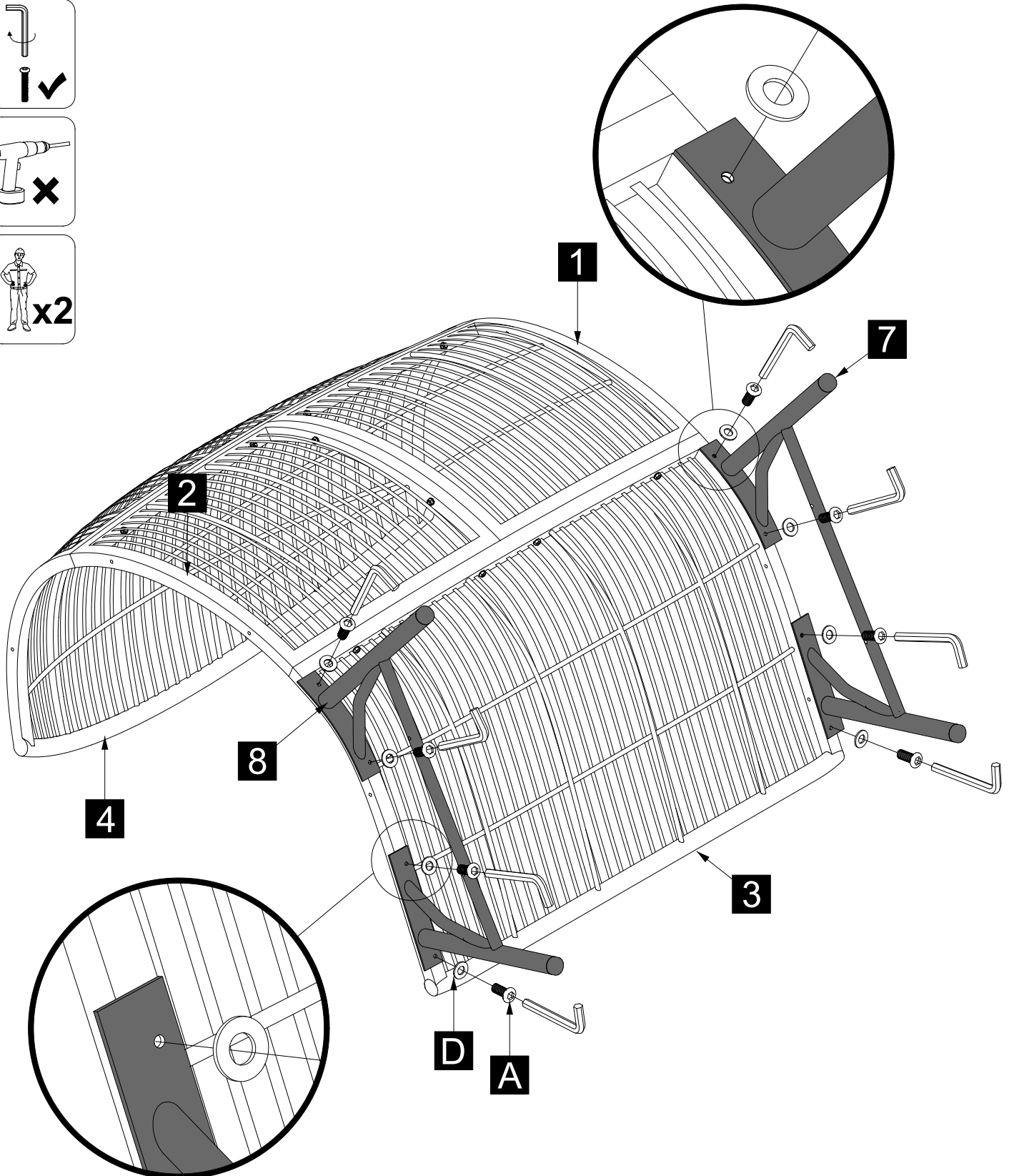
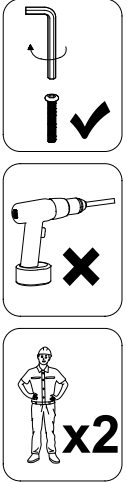
Install the side with the longer hole distance (10cm) downwards and connect it to accessory 3



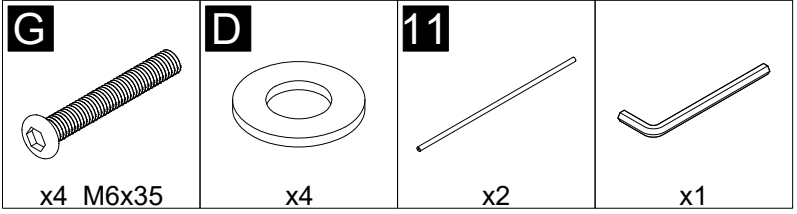
4



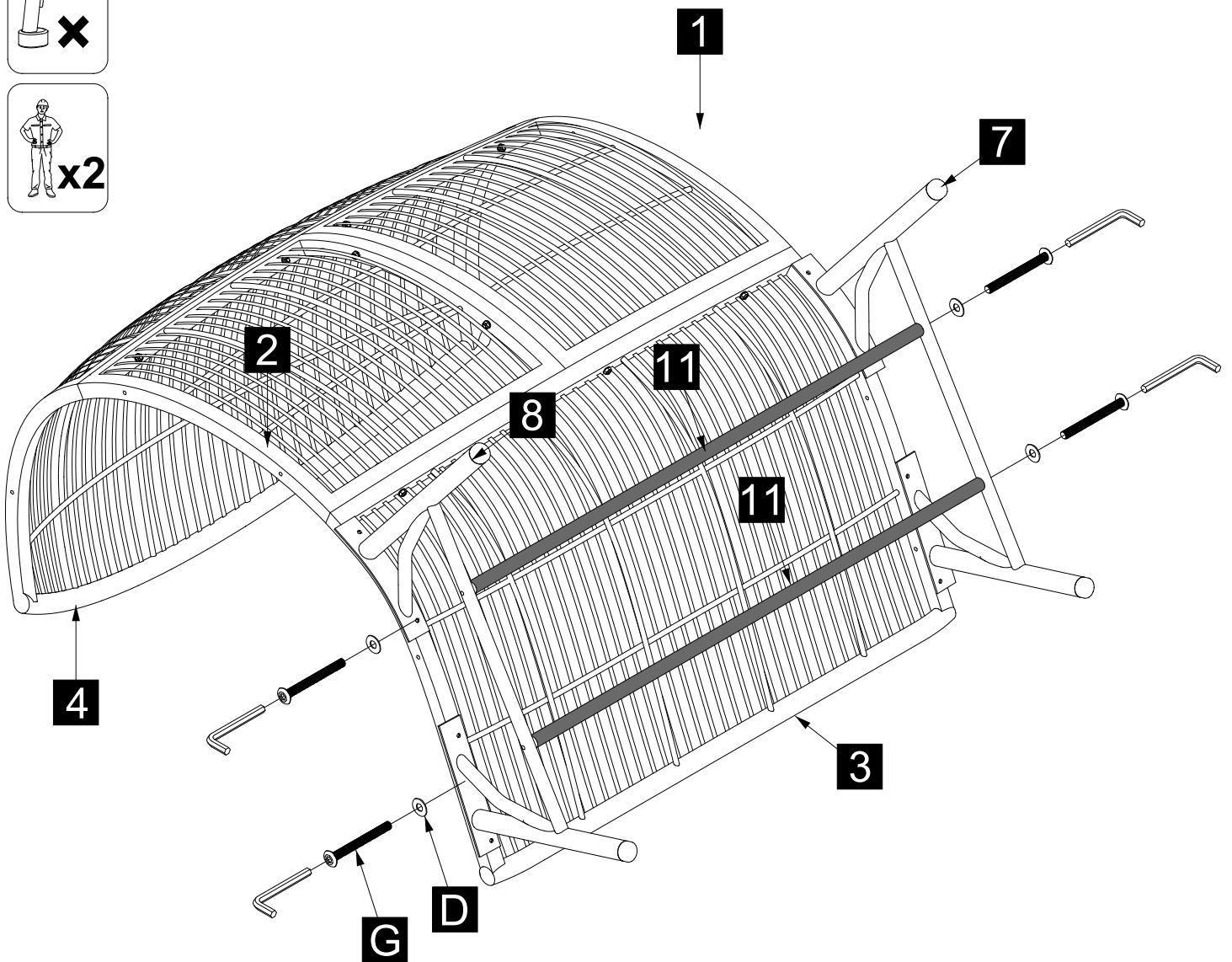
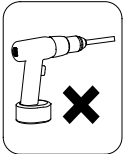
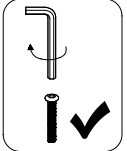
The screws for each step should be tightened only to 70% of their full capacity. When the overall framework is fully assembled, all the screws will be tightened together at the end.



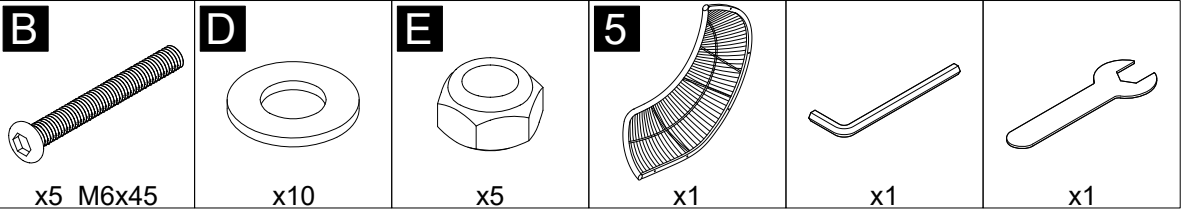
5



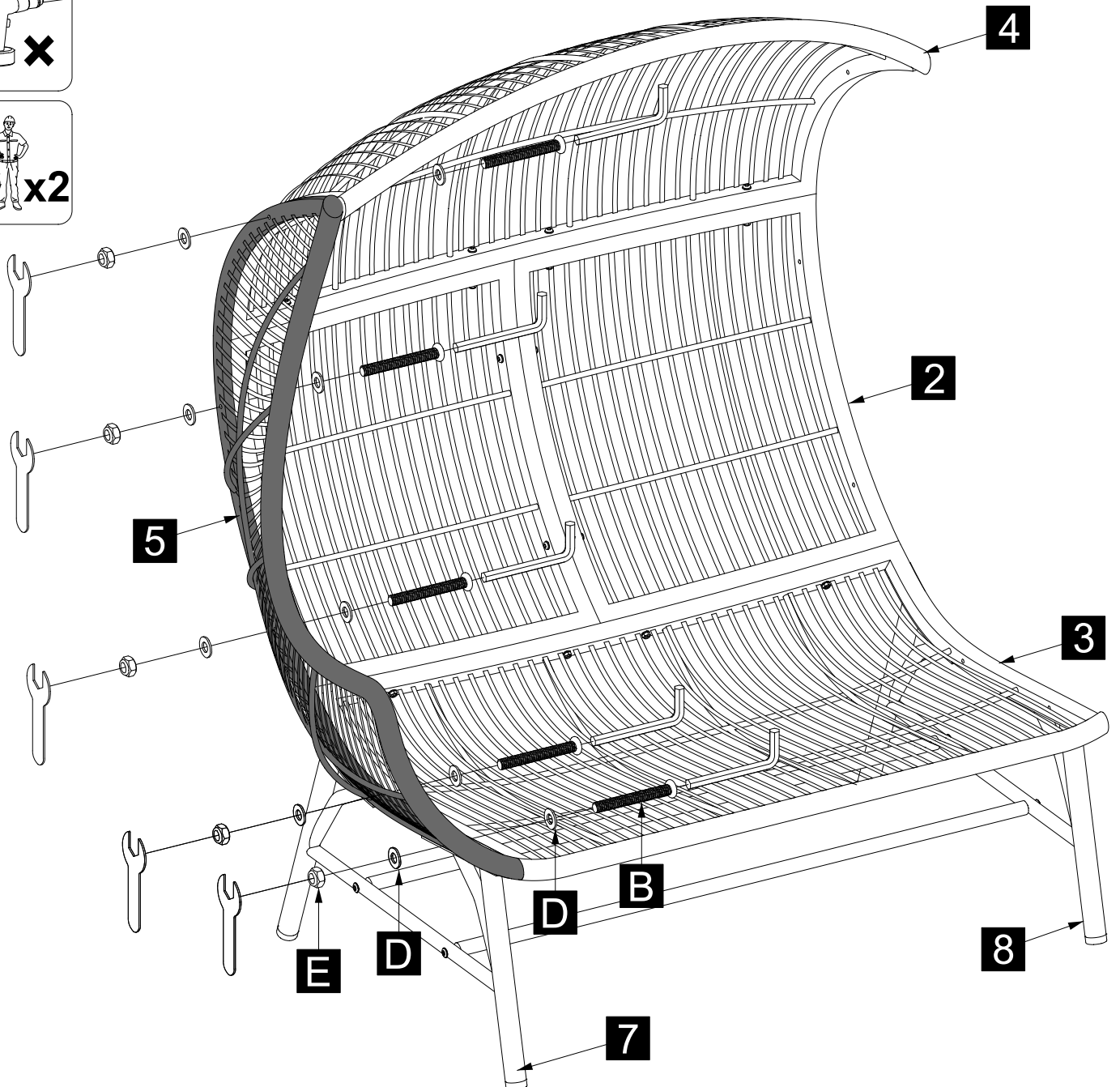
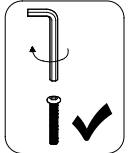
The screws for each step should be tightened only to 70% of their full capacity. When the overall framework is fully assembled, all the screws will be tightened together at the end.



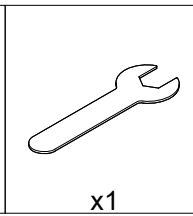
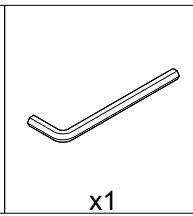
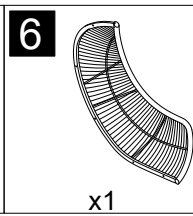
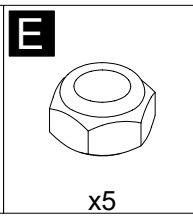
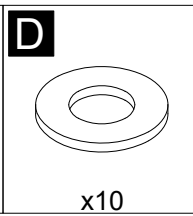
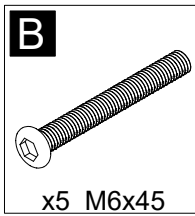
6



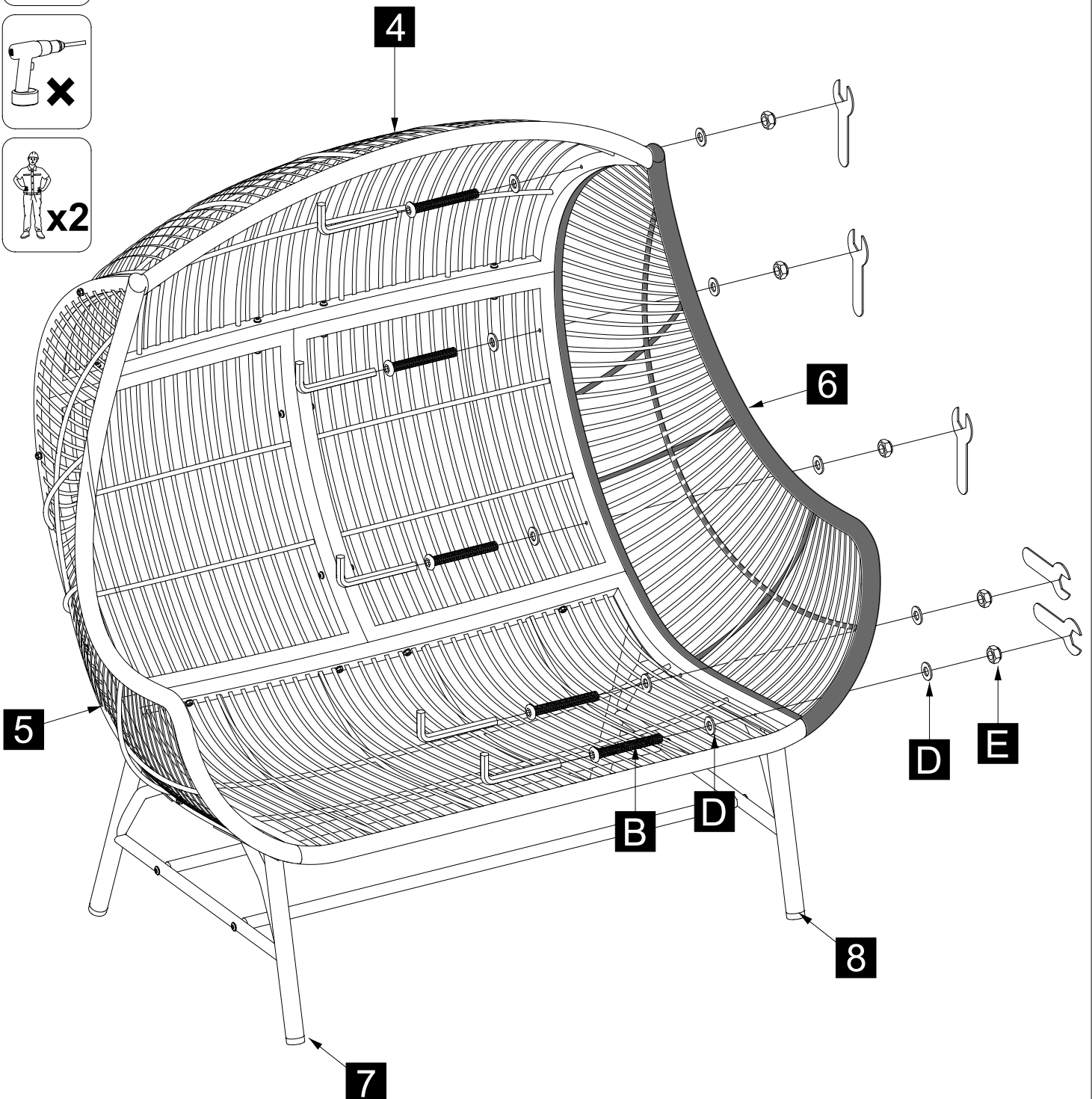
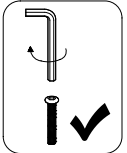
The screws for each step should be tightened only to 70% of their full capacity. When the overall framework is fully assembled, all the screws will be tightened together at the end.



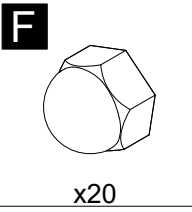
7



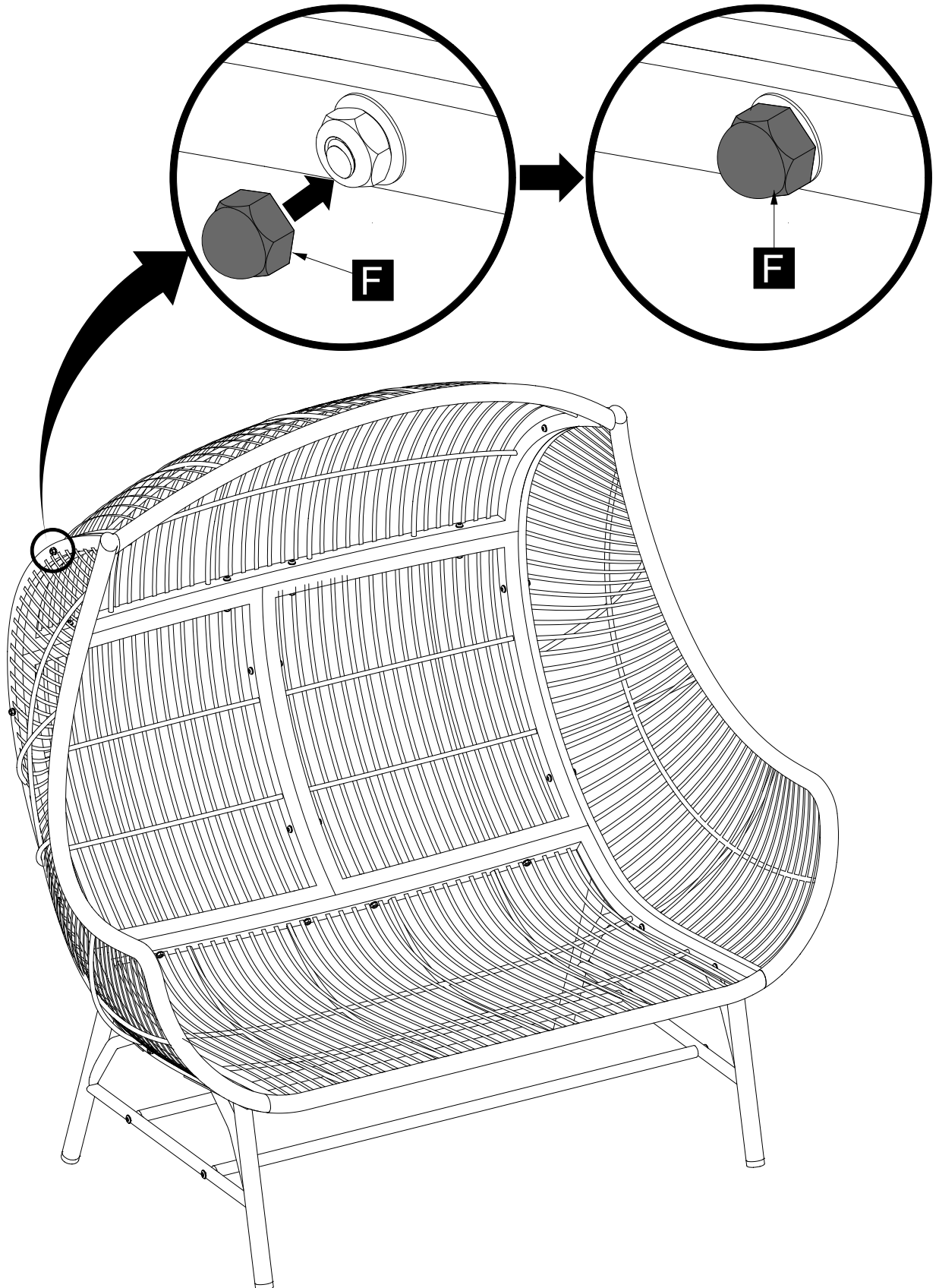
Note: The assembly steps have been completed. Please tighten all the connecting screws.



8



Note: All nuts should be covered with protective caps



9

