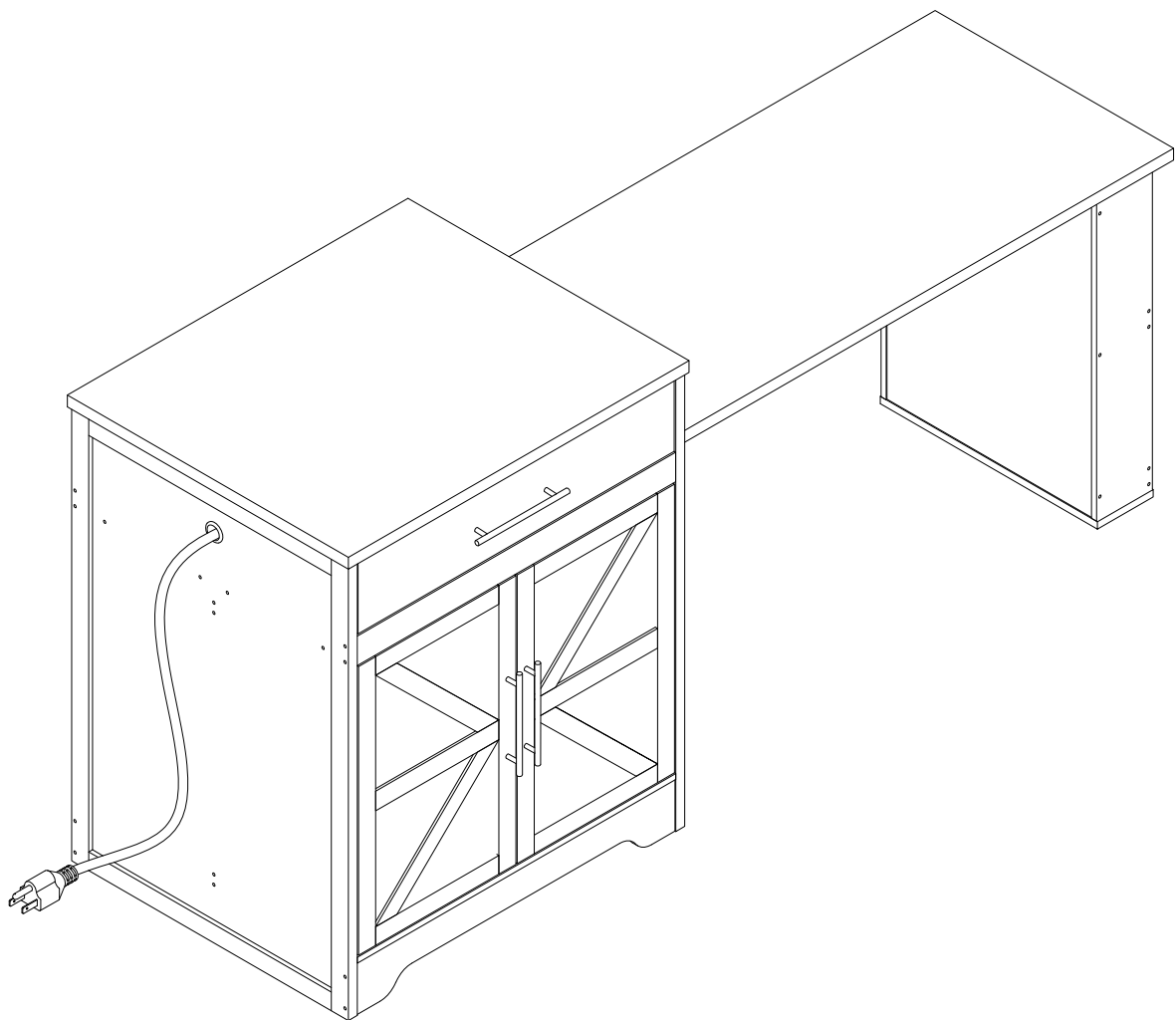


# Assembly Instruction

SZD0002

Extendable kitchen island



After-sales e-mail: [mnx16888@gmail.com](mailto:mnx16888@gmail.com)

MADE IN CHINA

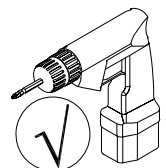
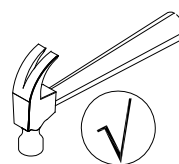
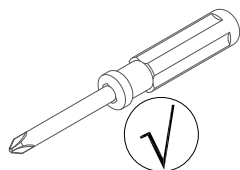
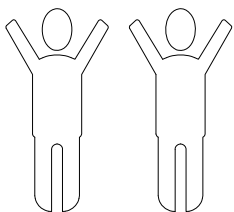
# Thank you for purchasing our quality product.

## Before Beginning & Caution

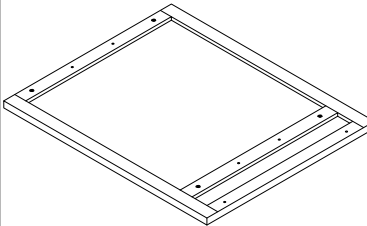
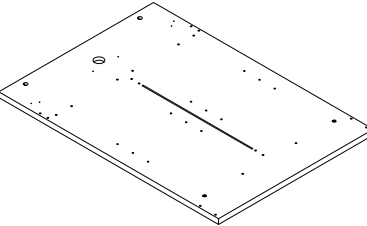
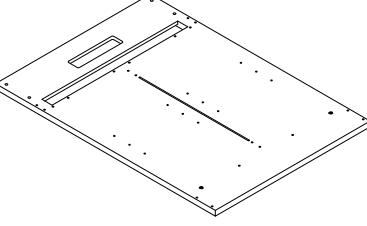
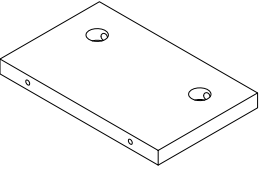
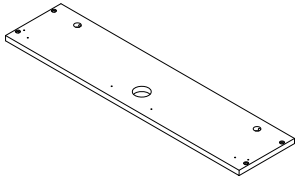
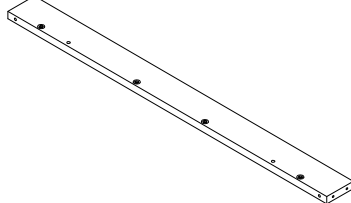
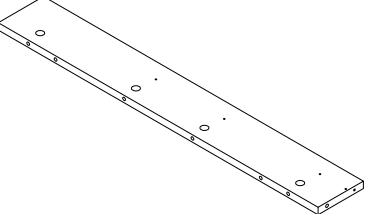
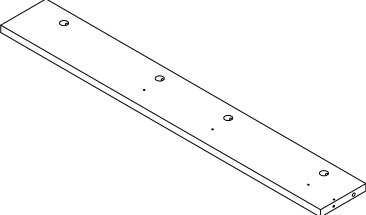
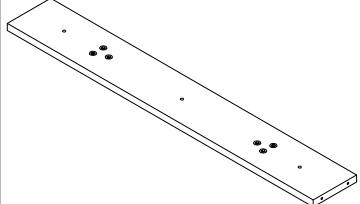
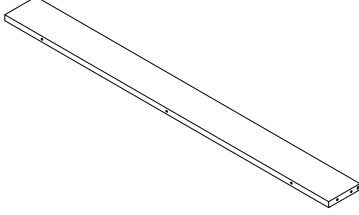
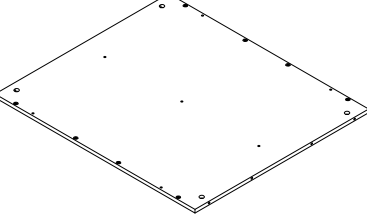
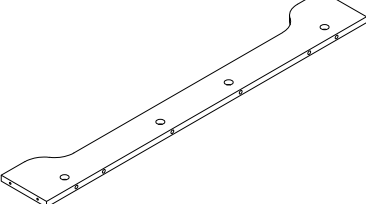
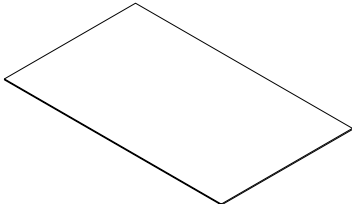
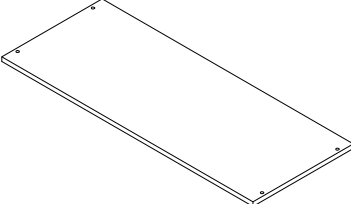
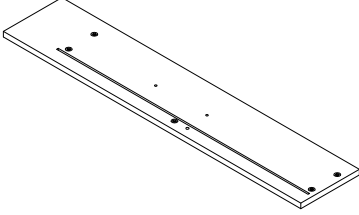
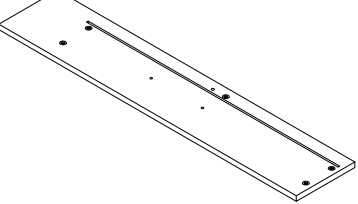
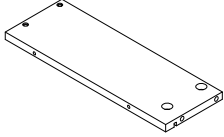
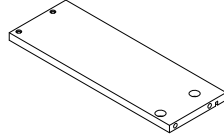
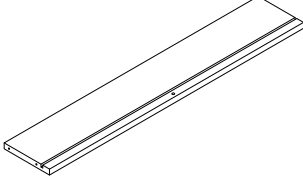
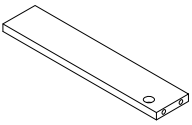
- Please take the time to read instructions ,cover to cover.
- Unpack ,inspect and check all bags and components to ensure you have all parts.
- We strongly recommend that you keep children away from the work area to avoid swallowing by mistake due to playing.
- Do not assemble on flooring or carpet, assemble on a clean and non-abrasive surface.
- Save all packing materials until assembly is completed.
- Please dispose of plastic bags safely.
- If you keep the hardware in a bowl or a special area during assembly,you will be less likely to lose them.
- Do not use products unless all screws are tight.

## Care & Maintenance

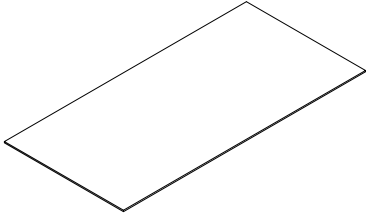
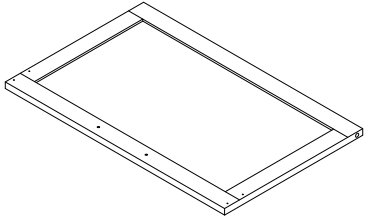
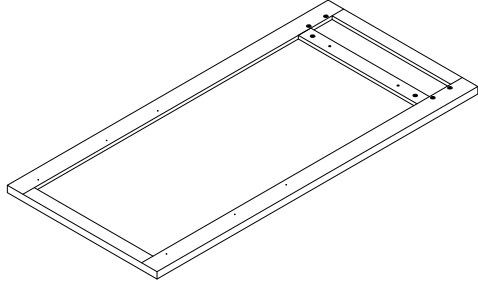
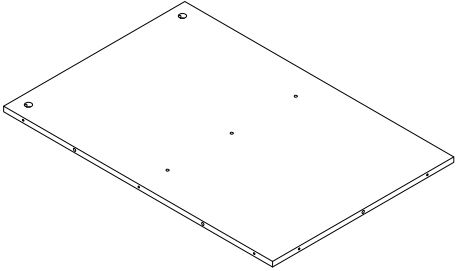
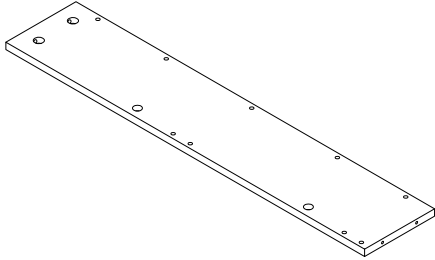
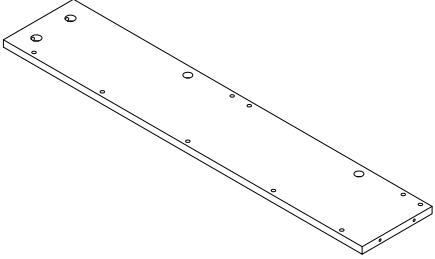
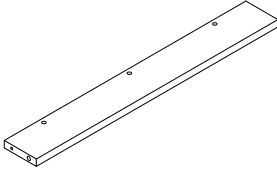
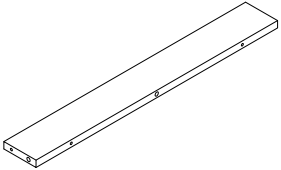
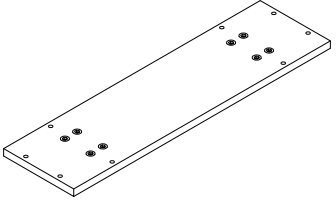
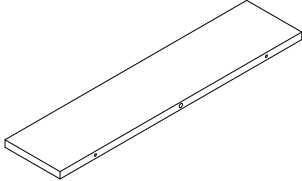
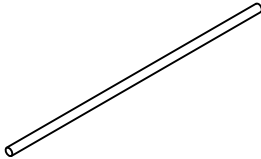
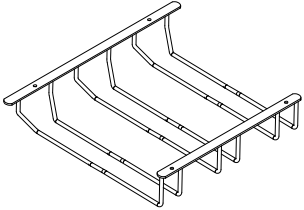
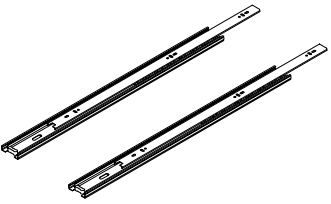
- Dust and pick up spills using a clean ,non-colored ,lint-free cloth.
- Stains may be removed with damp cloth.
- Keep away sharp and chemical stuff from product to avoid serious damaging.



# PARTS LIST

<b>1</b>  x1	<b>2</b>  x1	<b>3</b>  x1	<b>4</b>  x2
<b>5</b>  x1	<b>6</b>  x2	<b>7</b>  x1	<b>8</b>  x1
<b>9</b>  x1	<b>10</b>  x2	<b>11</b>  x1	<b>12</b>  x2
<b>13</b>  x1	<b>14</b>  x2	<b>15</b>  x1	<b>16</b>  x1
<b>17</b>  x2	<b>18</b>  x2	<b>19</b>  x2	<b>20</b>  x2

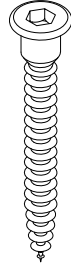
# PARTS LIST

<p><b>21</b> x2</p> 	<p><b>22</b> x2</p> 	<p><b>23</b> x1</p> 	
<p><b>24</b> x1</p> 	<p><b>25</b> x1</p> 		
<p><b>26</b> x1</p> 	<p><b>27</b> x1</p> 	<p><b>28</b> x1</p> 	
<p><b>29</b> x1</p> 	<p><b>30</b> x1</p> 	<p><b>31</b> x2</p> 	<p><b>32</b> x1</p> 
<p><b>33</b> x2</p> 			

# HARDWARE LIST



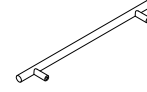
M4  
A×1PC



M5\*45mm  
B×63PCS



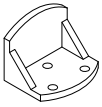
Ø6\*30mm  
C×35PCS



D1×4PCS



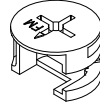
M4\*20mm  
D2×8PCS



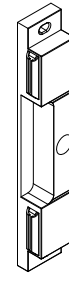
E×1PC



Ø6.5\*36mm  
F1×40PCS



Ø15\*9.8mm  
F2×40PCS



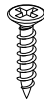
G1×1PCS



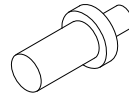
G2×2PCS



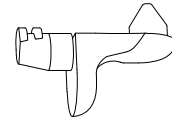
Ø6\*M3\*16mm  
H×3PCS



Ø7\*M3.5\*12mm  
I×45 PCS



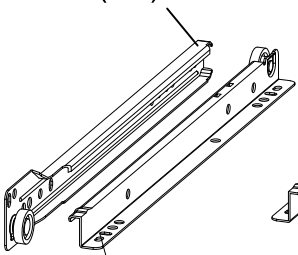
Ø12\*25mm  
J×4PCS



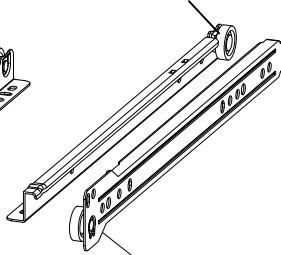
K×8PCS

M1(CL)x2PCS

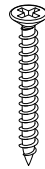
M2(DR)x2PCS



M1(DL)x2PCS



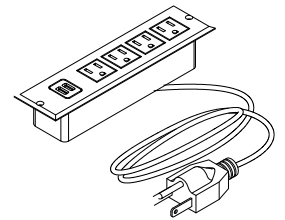
M2(CR)x2PCS



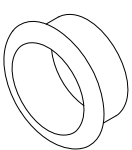
Ø8\*M4\*30mm  
N×10PCS



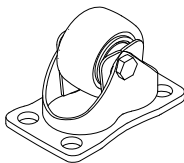
M6\*12mm  
P×11PCS



Q×1PC



R×1PC



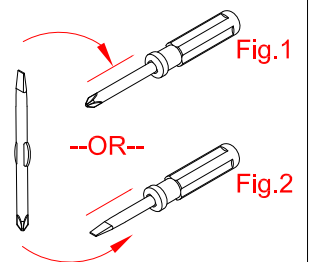
S×2PCS

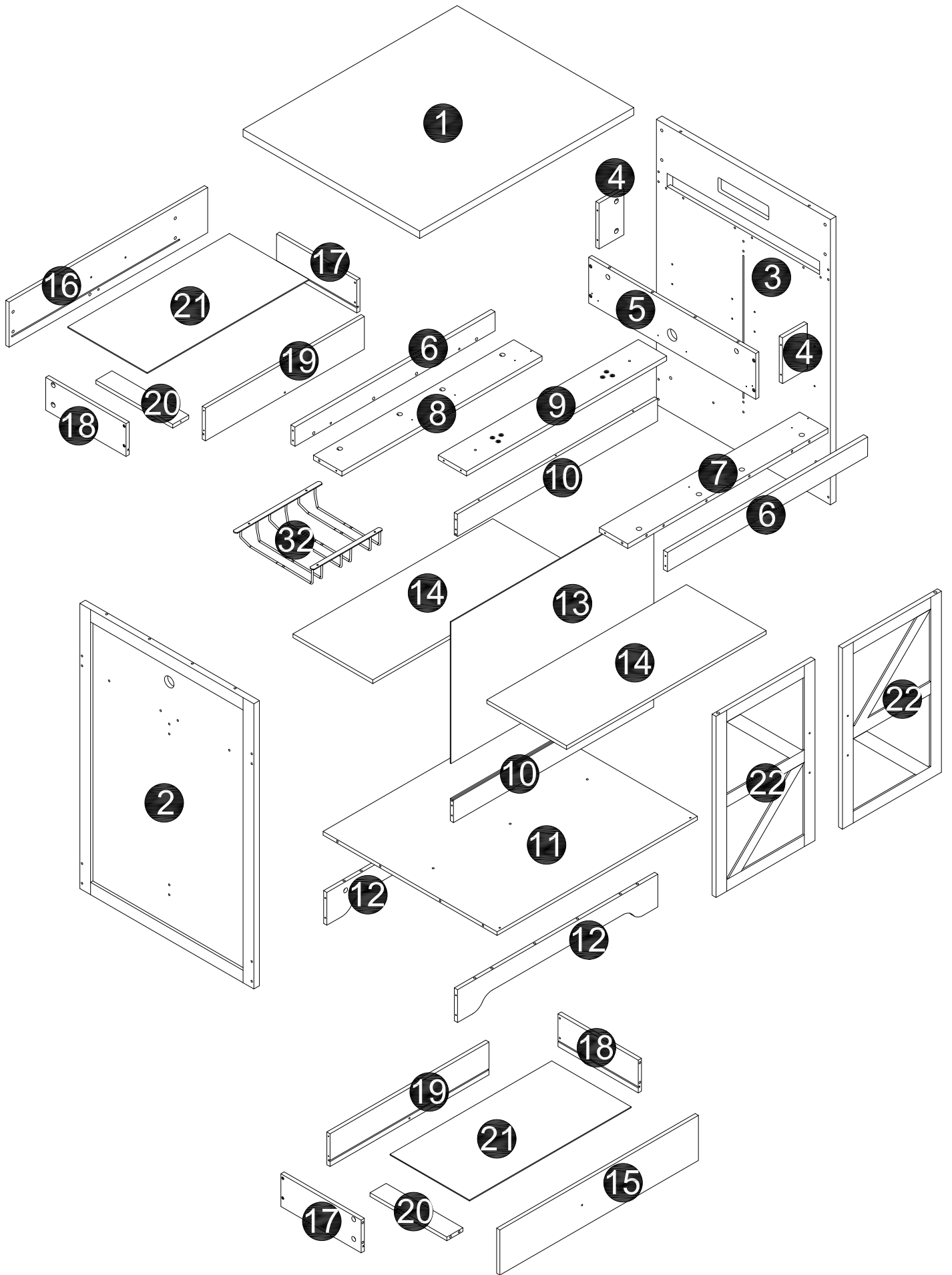


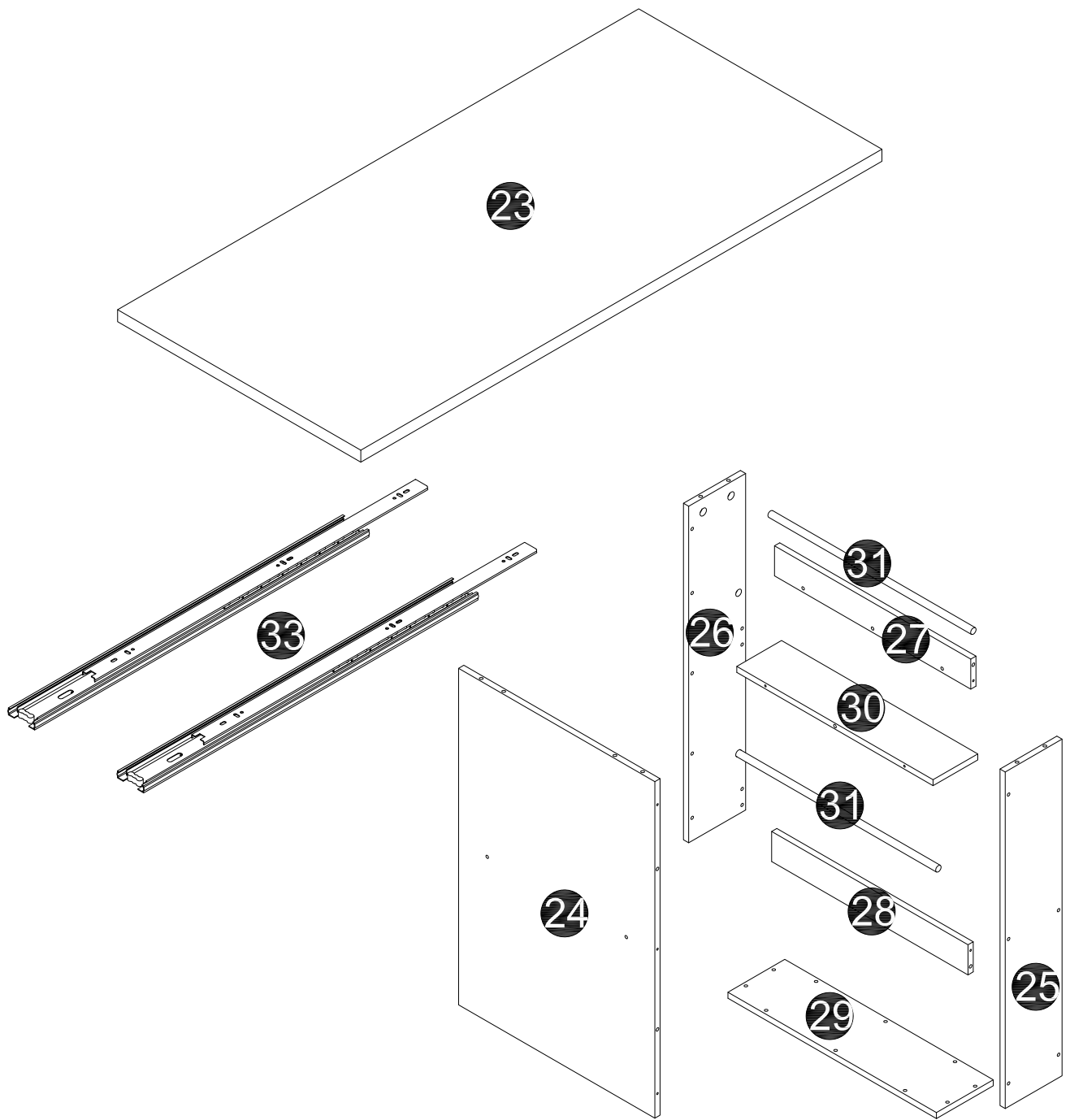
T×1PC



For power tools

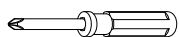






# STEP 1

 F1 x 40PCS



① x1pc

② x1pc

③ x1pc

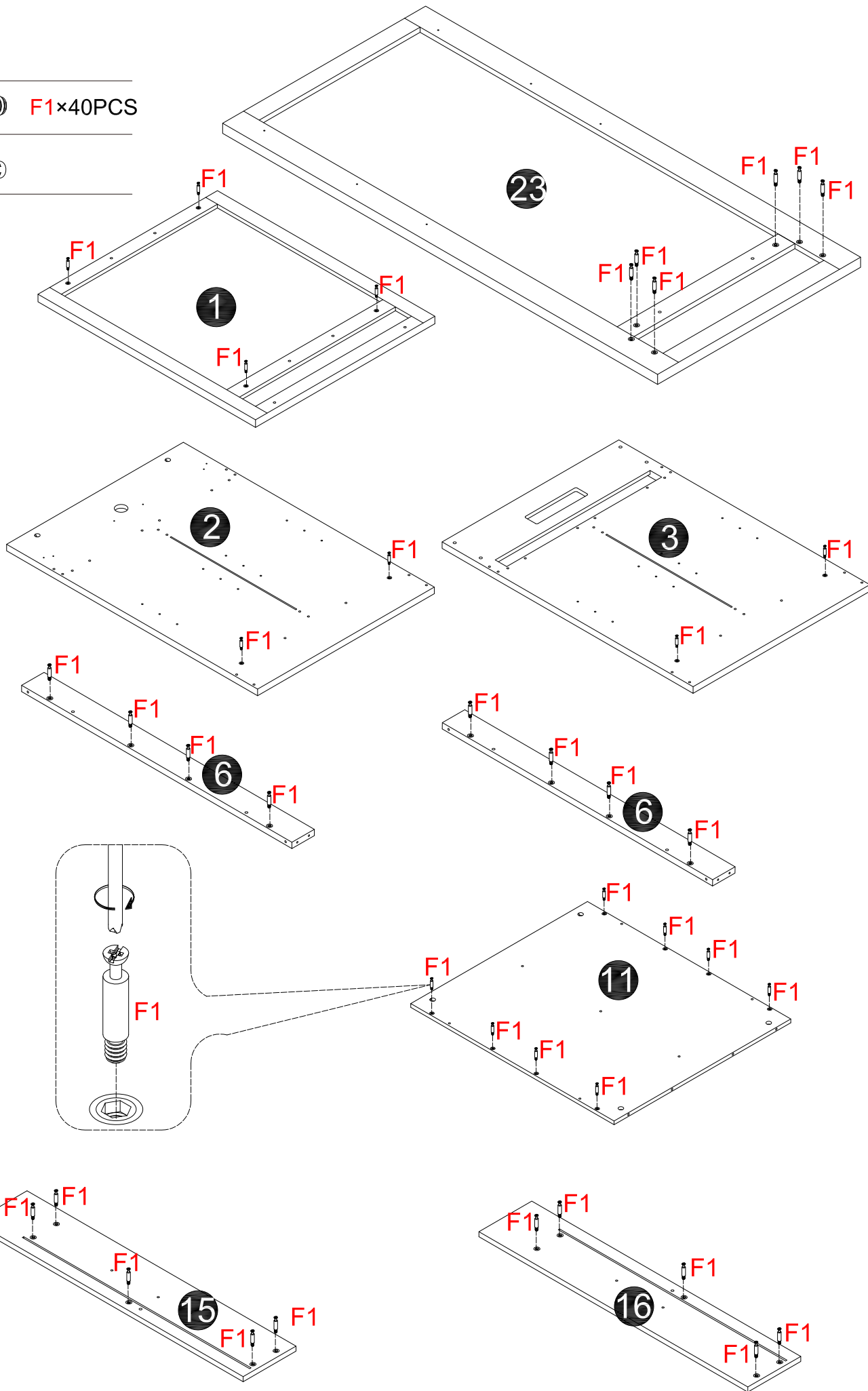
⑥ x2pcs

⑪ x1pc

⑮ x1pc

⑯ x1pc

⑳ x1pc



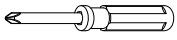
## STEP 2



F2×8PCS

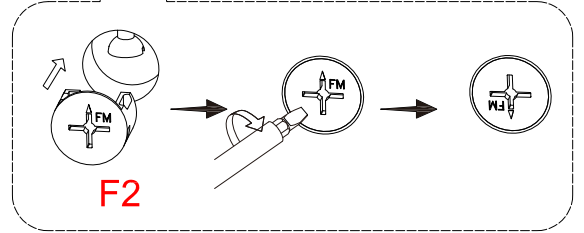
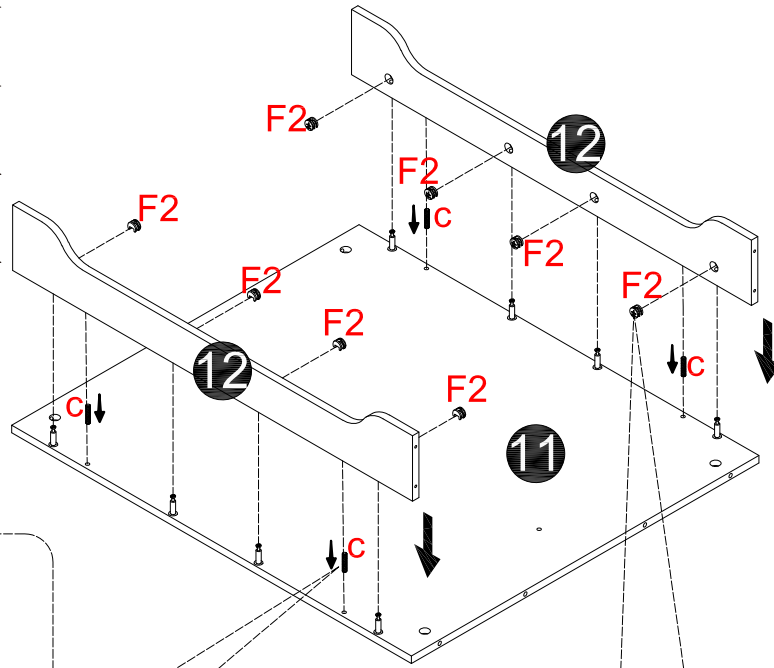
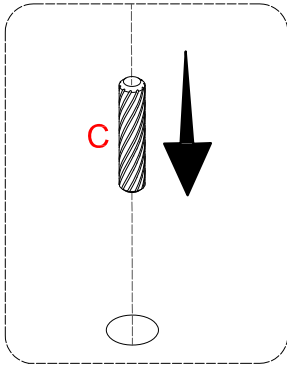


C×4PCS

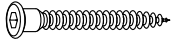


11 x1pc

12 x2pcs



## STEP 3



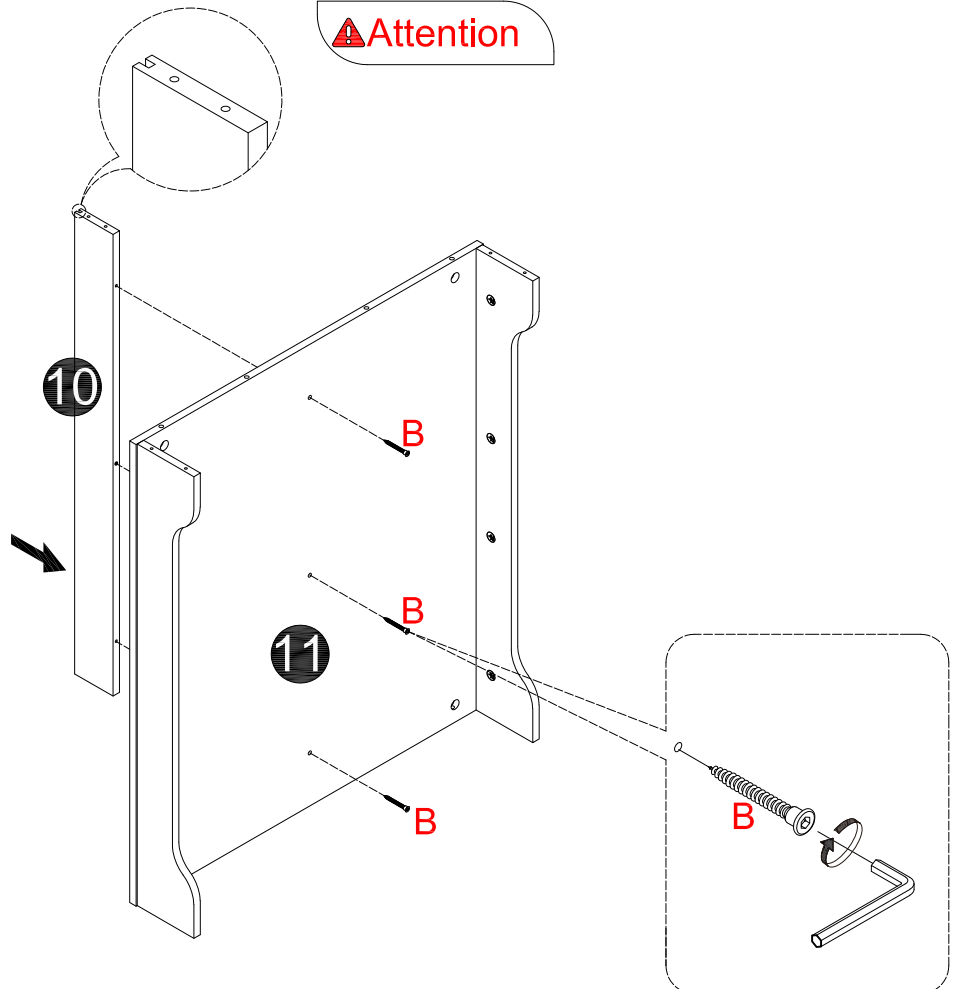
B×3PCS



A

10 x1pc

**Attention**



# STEP 5



M1(CL)×1PC

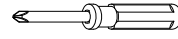


M2(CR)×1PC



I×6PCS

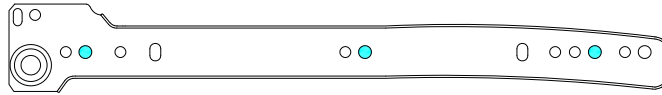
2 x1pc



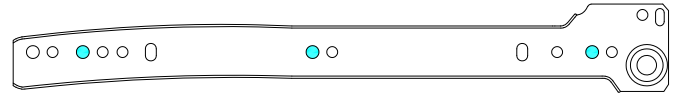
## NOTE:

Refer to the images to identify M1-CL (left) and M2-CR (right). Attach M1-CL to #2 panel and M2-CR to #2 panel. [I] screws must go in the exact spots shown.

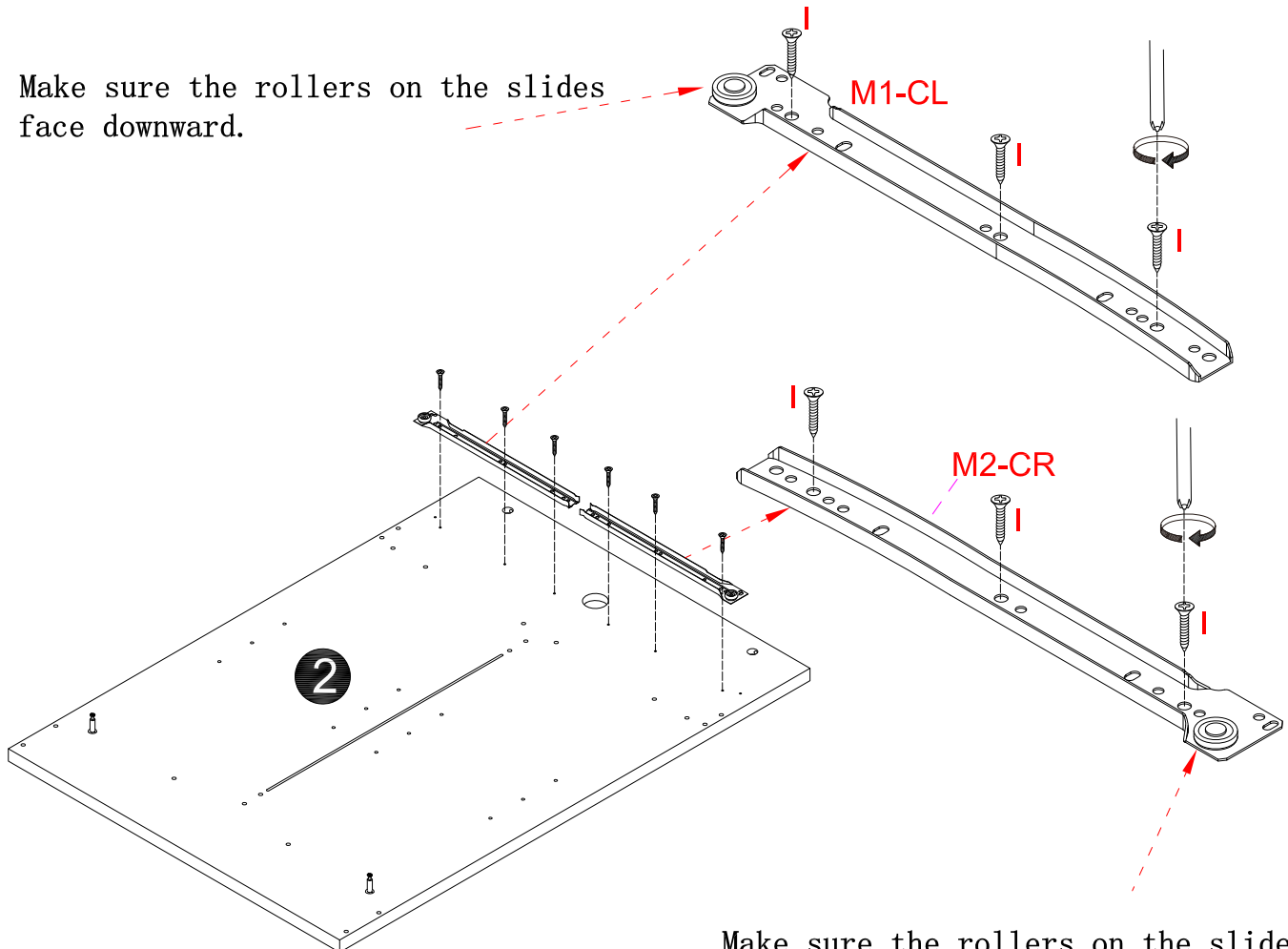
M1-CL



M2-CR

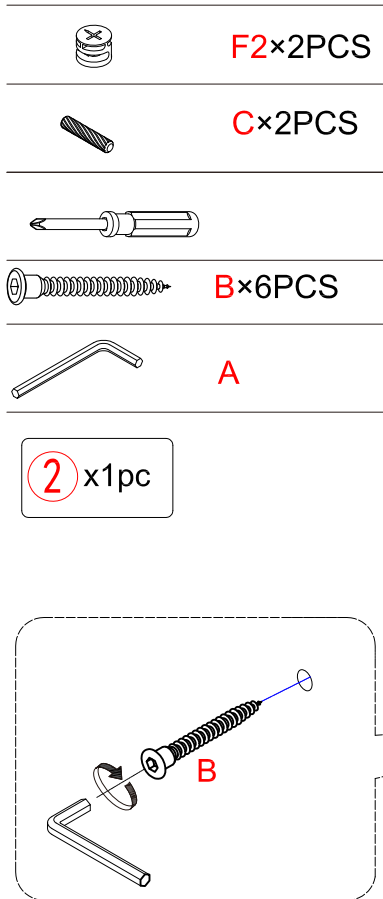


Make sure the rollers on the slides face downward.



Make sure the rollers on the slides face downward.

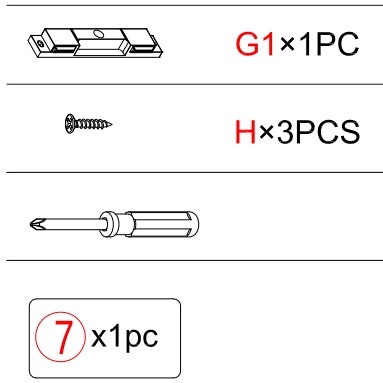
## STEP 6



**Attention**

This hole is on top

## STEP 7



**Attention**

Only the No.7 plate has magnetic locks

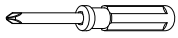
## STEP 8



F2×4PCS



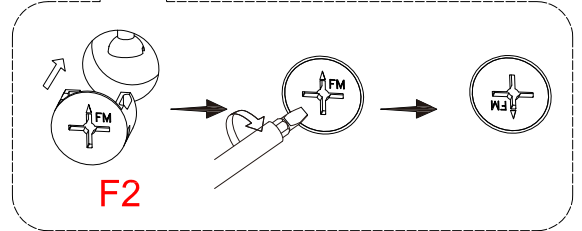
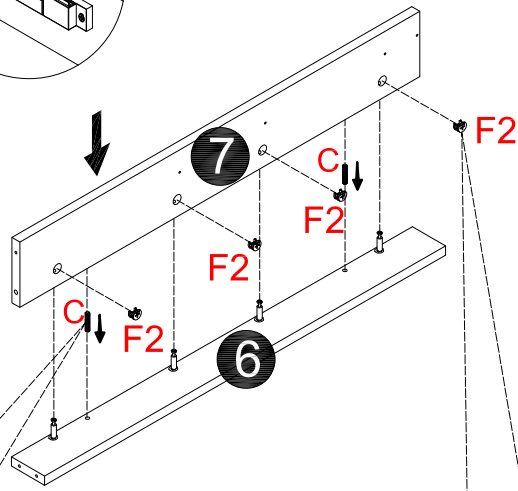
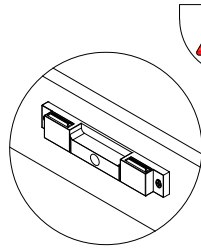
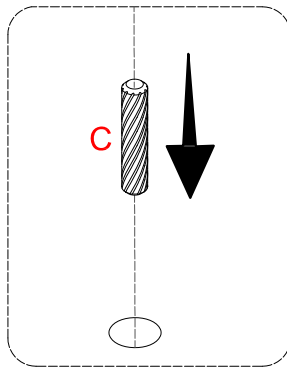
C×2PCS



6 x1pc

7 x1pc

**Attention**



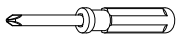
## STEP 9



F2×4PCS

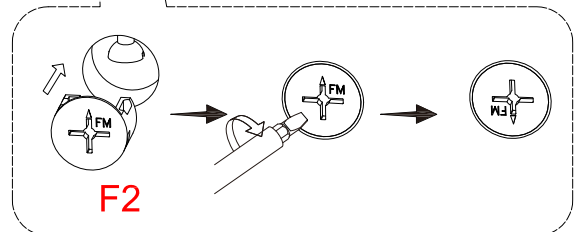
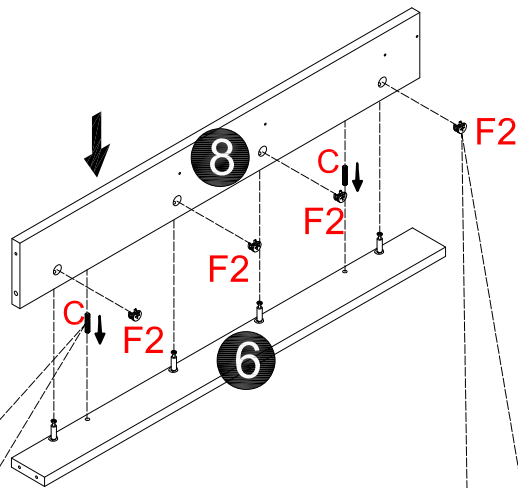
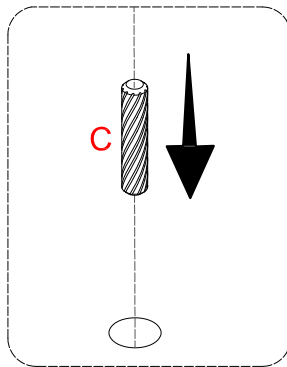


C×2PCS

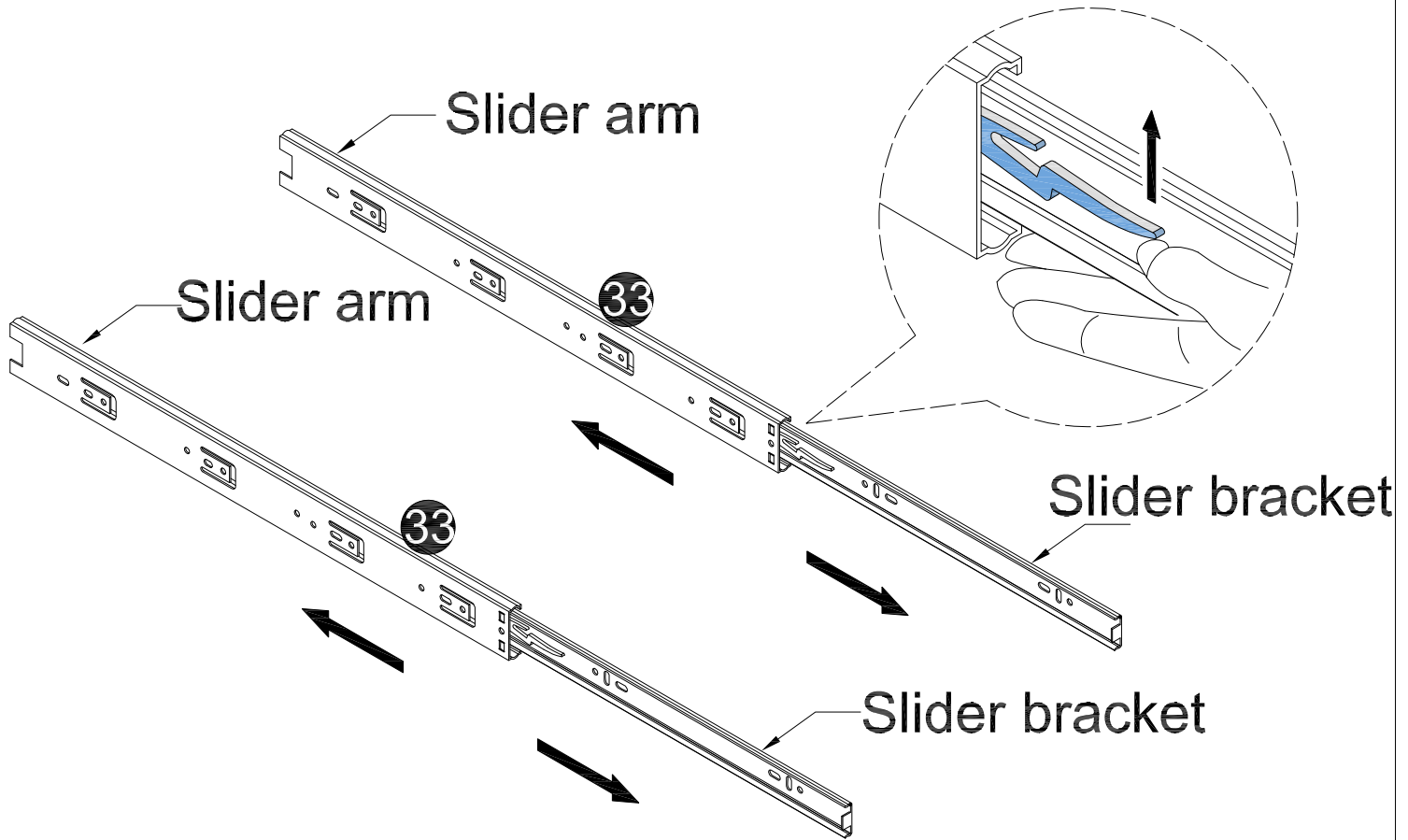


6 x1pc



8 x1pc

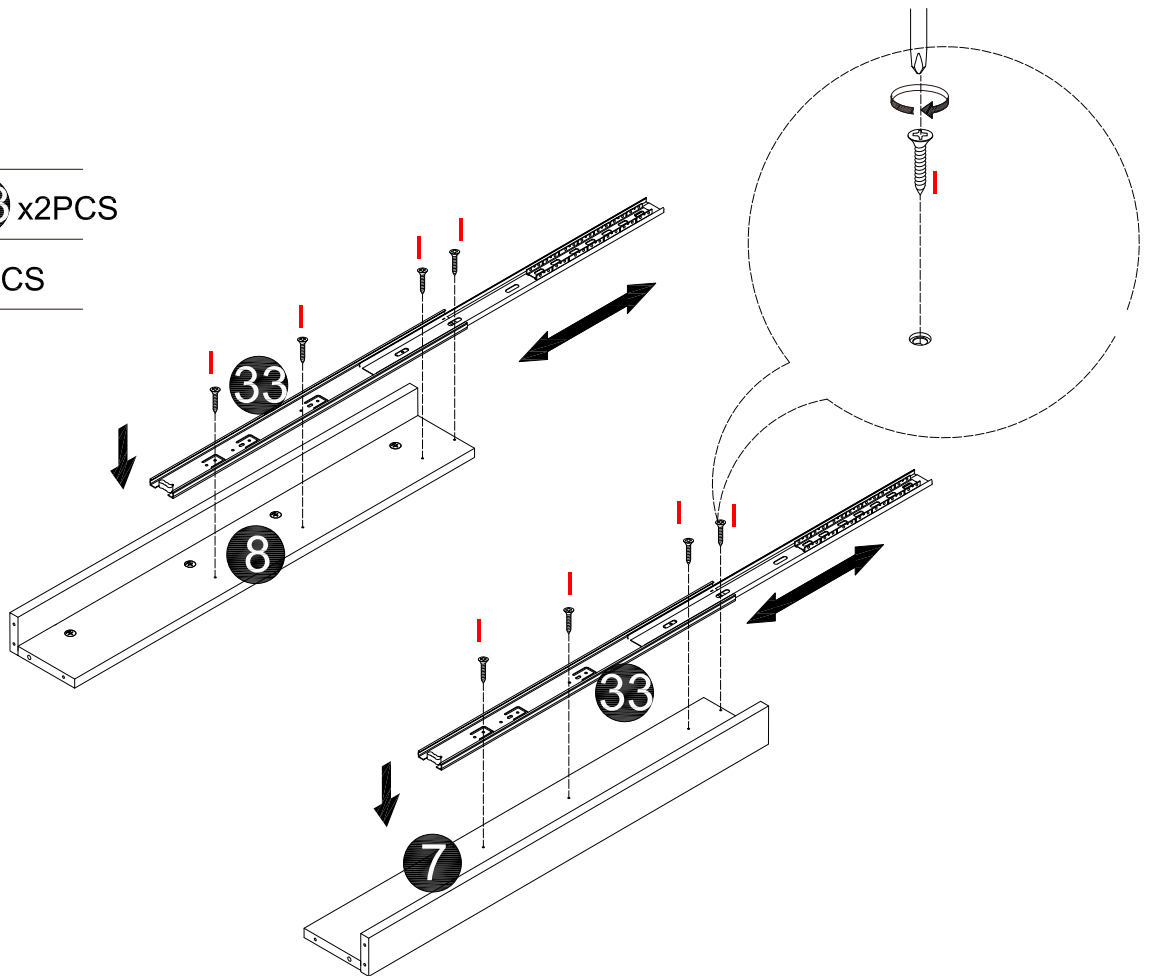


# STEP 10

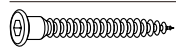


# STEP 11

-  **33** x2PCS
-  **8** x8PCS



## STEP 12

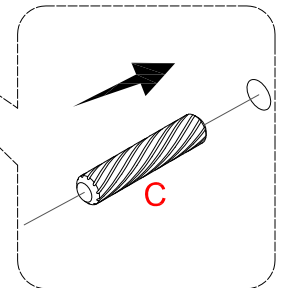
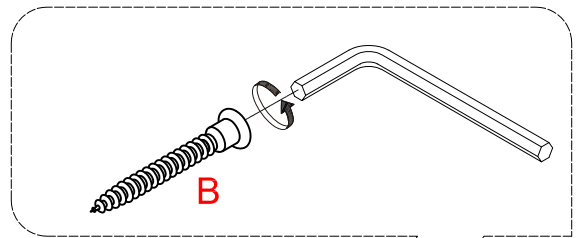
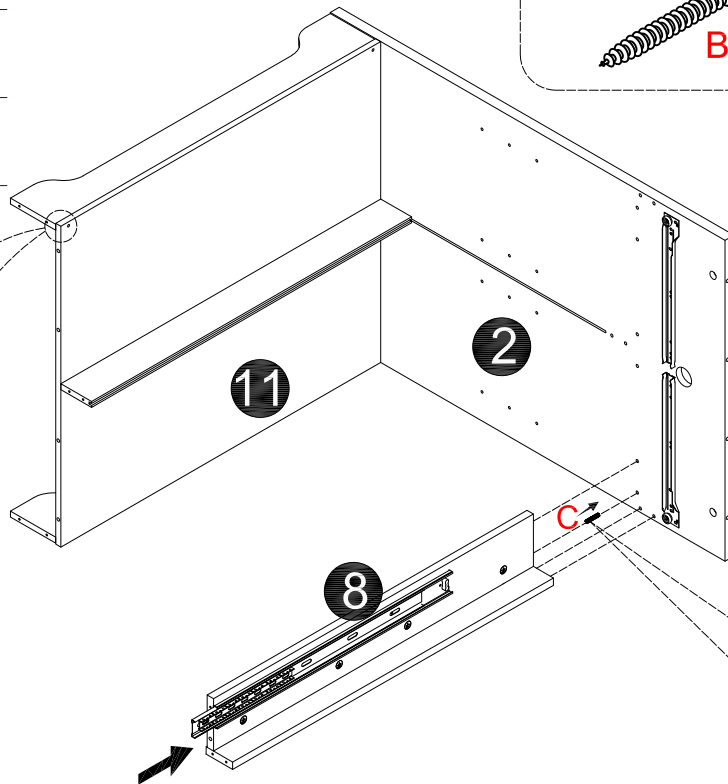
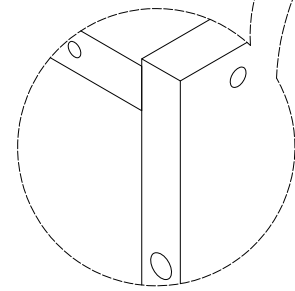
 B×3PCS

 C×1PC

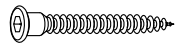
 A

8 x1pc

 Attention



## STEP 13

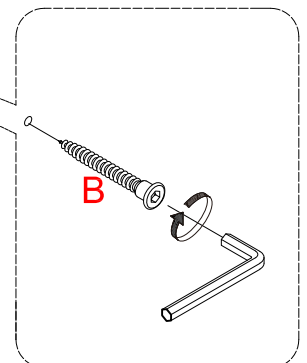
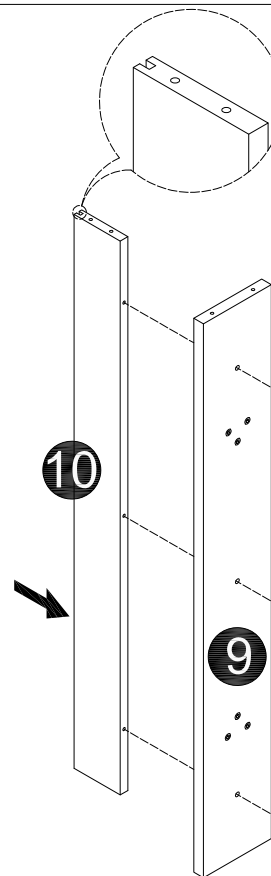
 B×3PCS

 A

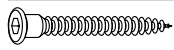
9 x1pc

10 x1pc

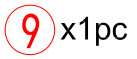
 Attention

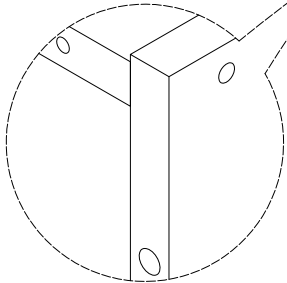


# STEP 14

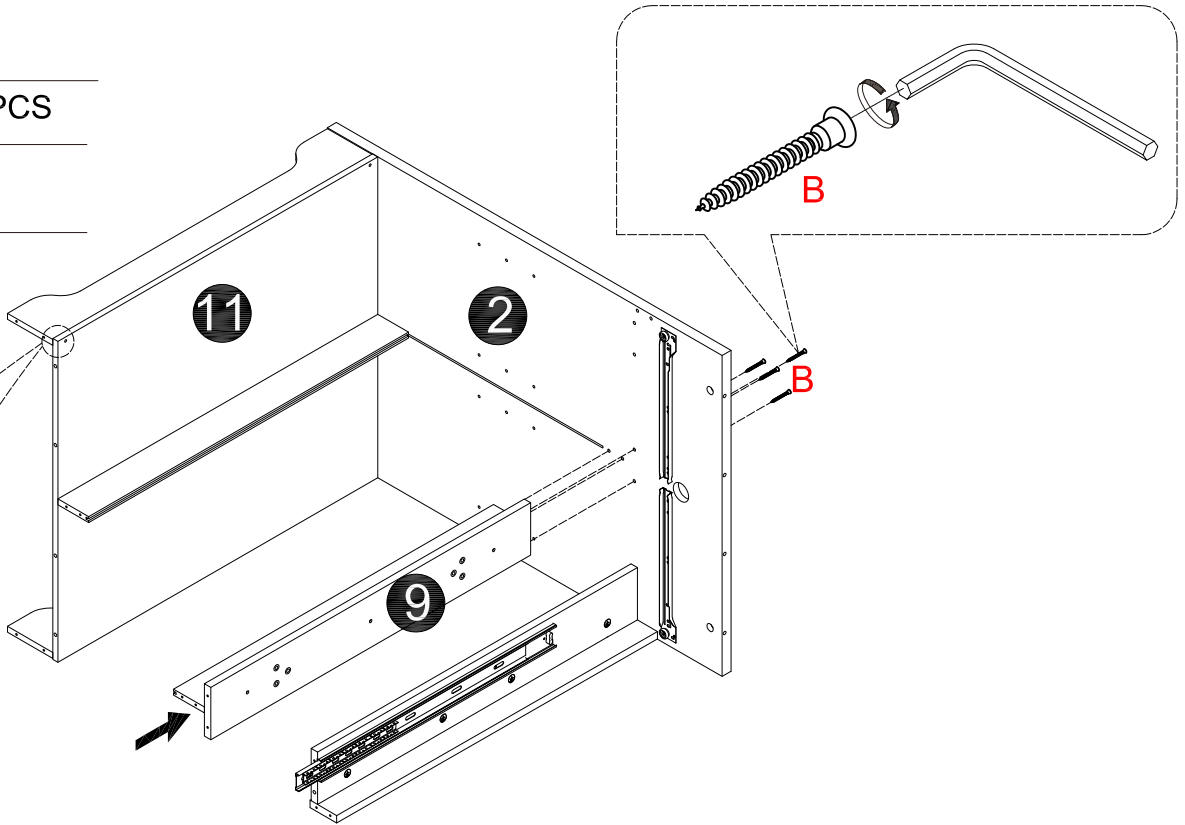
 B×4PCS

 A


 9 x1pc



 Attention

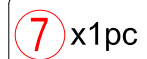


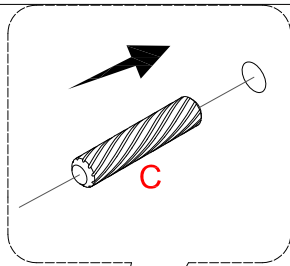
# STEP 15

 B×3PCS

 C×1PC

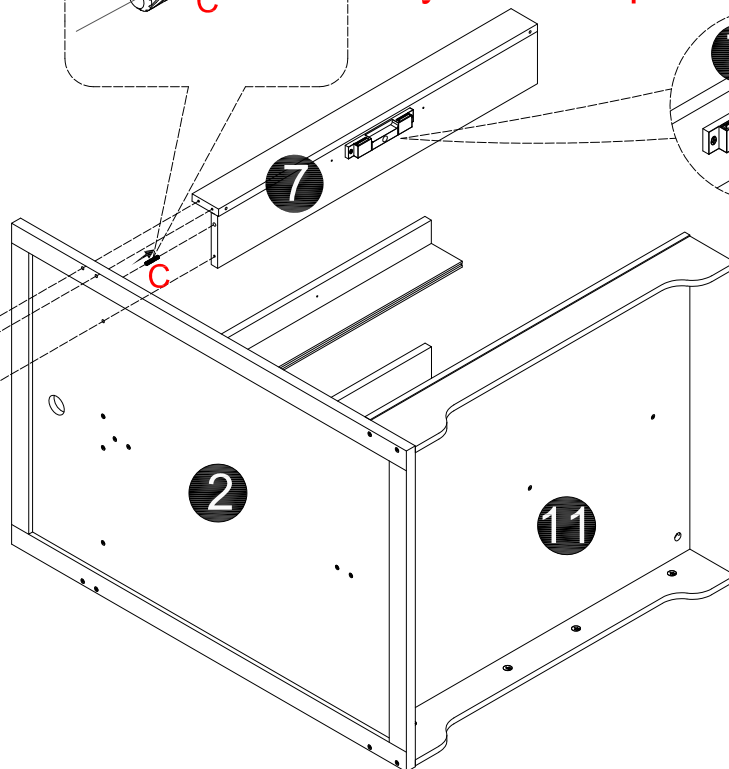
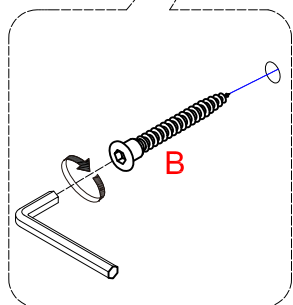
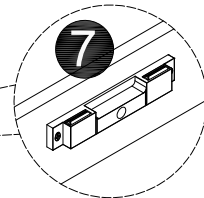
 A

 7 x1pc



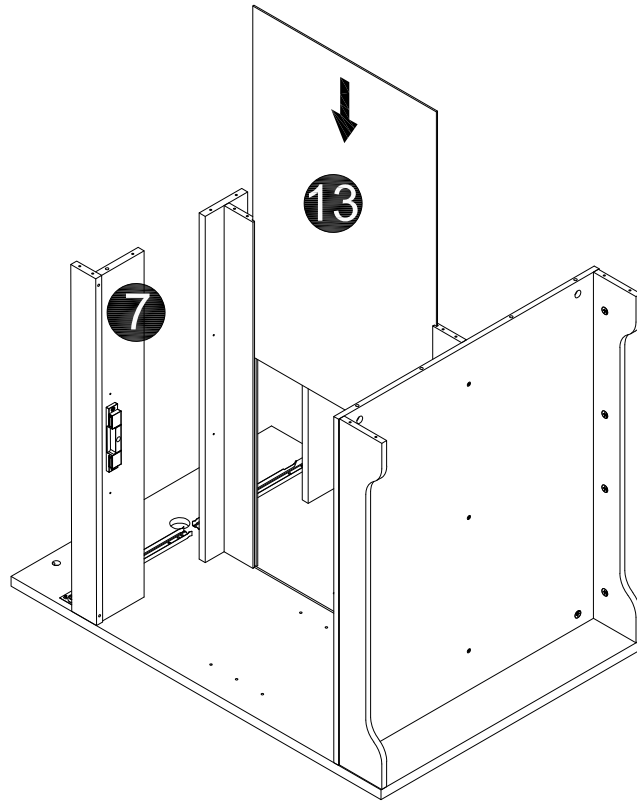
 Attention

Only the No.7 plate has magnetic locks



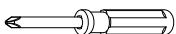
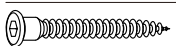



# STEP 16

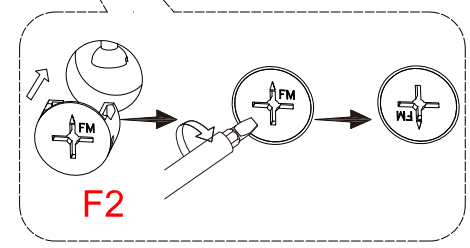
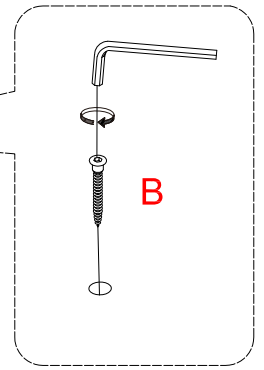
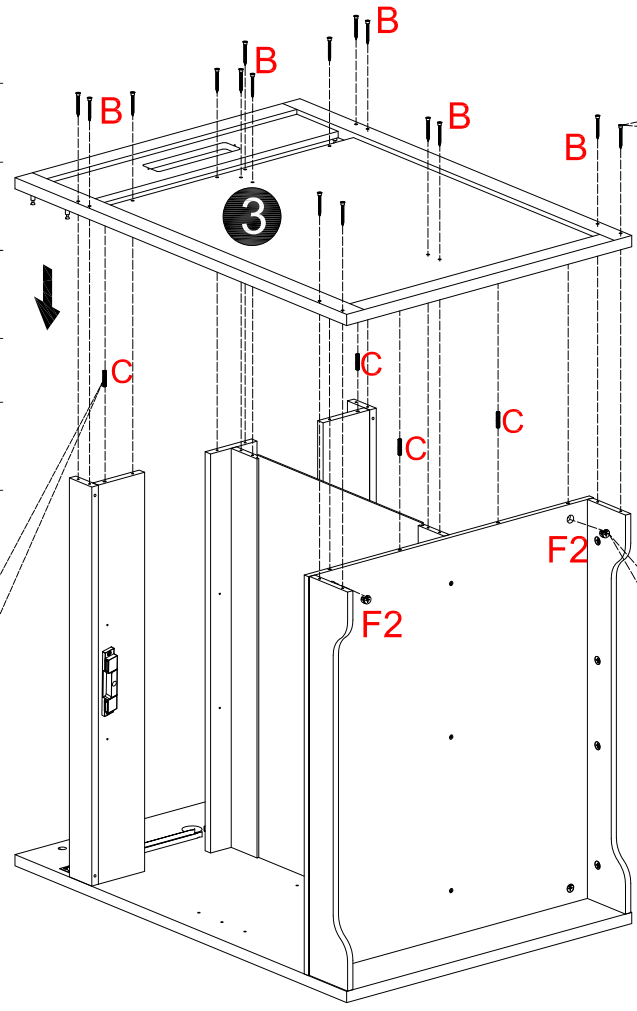
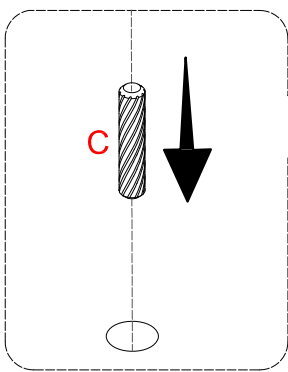
13 x1pc



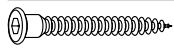
# STEP 17

-  **F2** x 2 PCS
-  **C** x 4 PCS
- 
-  **B** x 16 PCS
-  **A**

3 x1pc



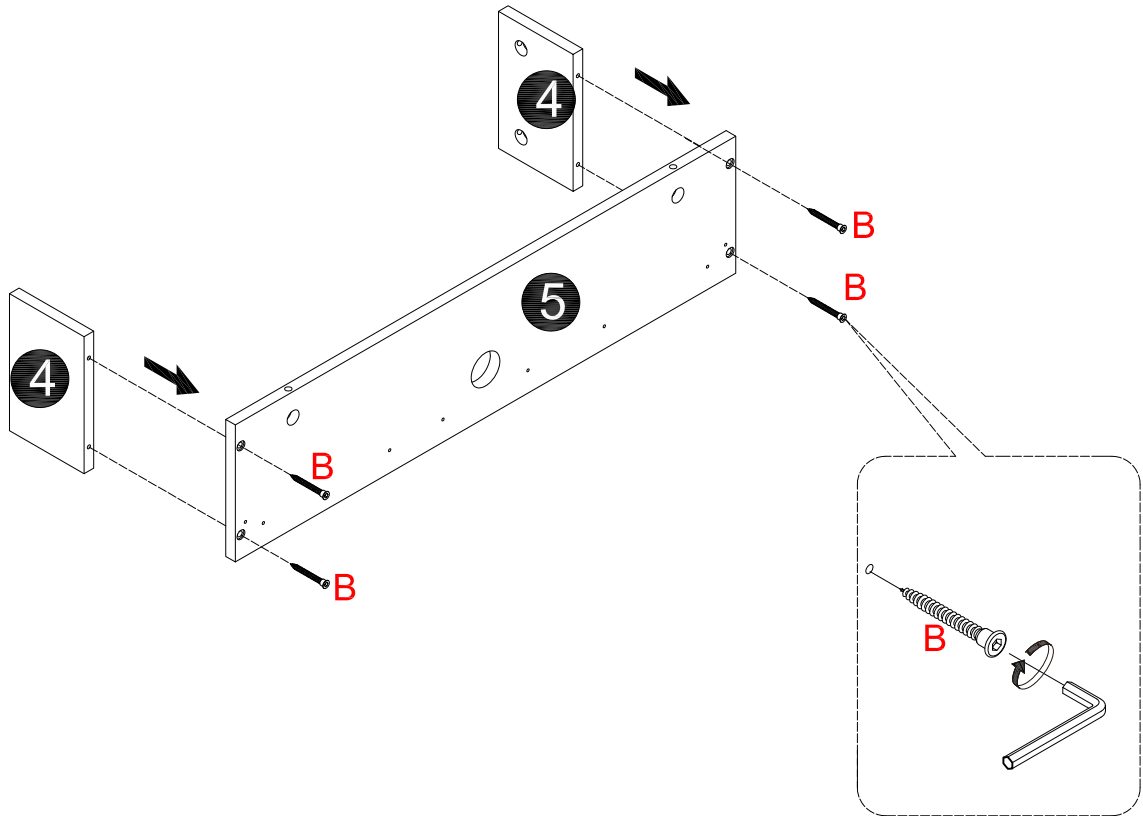
# STEP 18

 B×4PCS

 A

4 x2pcs

5 x1pc



# STEP 19



M1(CL)×1PC

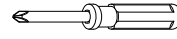


M2(CR)×1PC



I×6PCS

5 x1pc

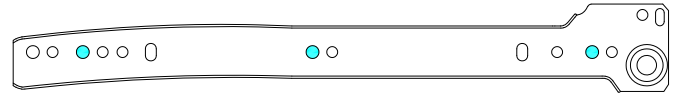
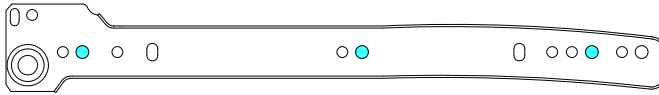


NOTE:

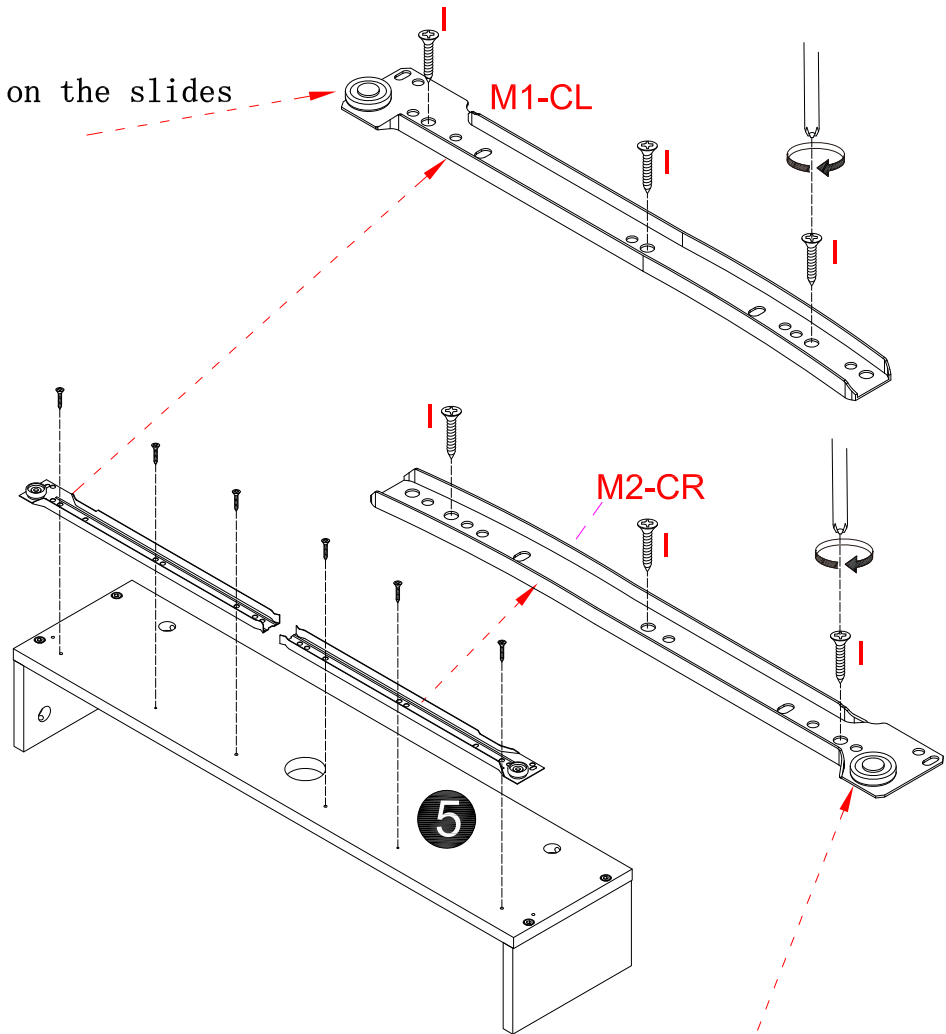
Refer to the images to identify M1-CL (left) and M2-CR (right). Attach M1-CL to #5 panel and M2-CR to #5 panel. [I] screws must go in the exact spots shown.

M1-CL

M2-CR



Make sure the rollers on the slides face downward.

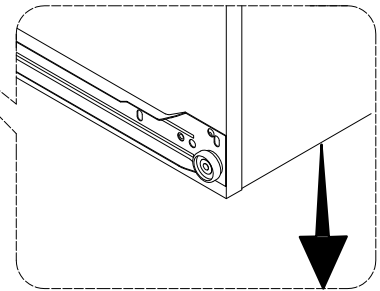
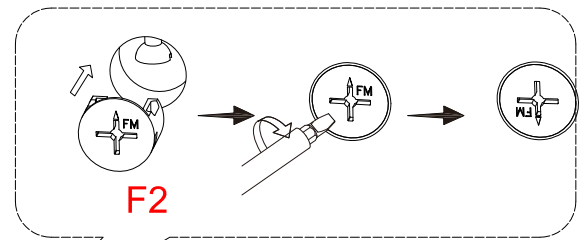
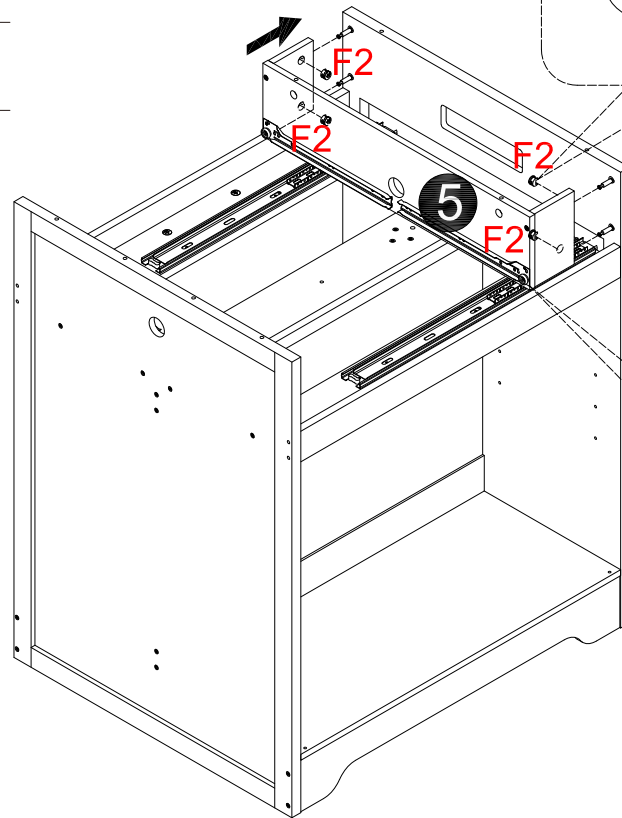
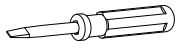


Make sure the rollers on the slides face downward.

## STEP 20

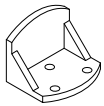


F2×4PCS



**Attention**

## STEP 21



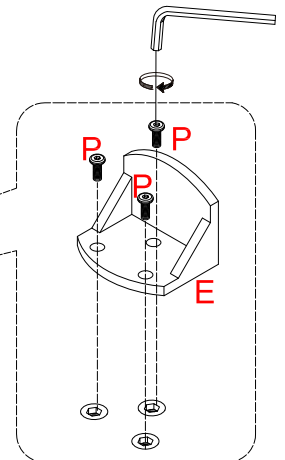
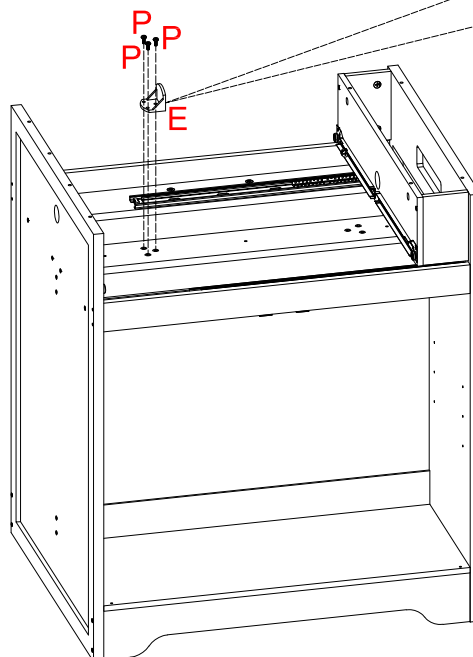
E×1PC



P×3PCS



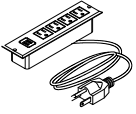
A



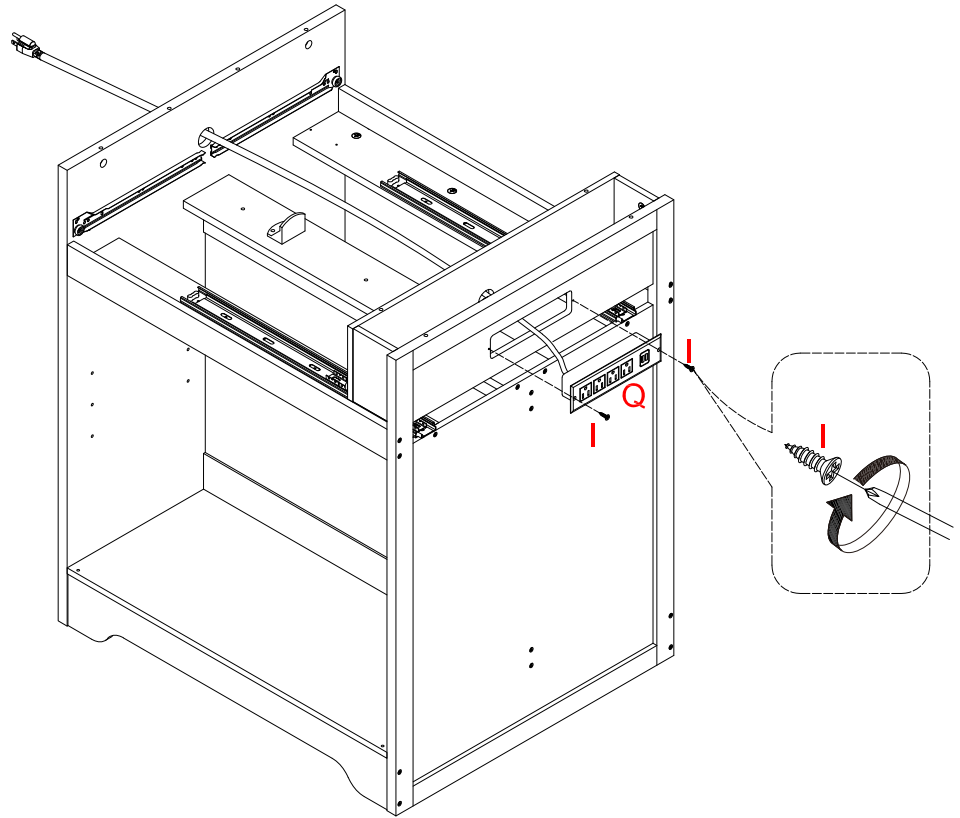
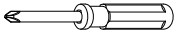
## STEP 22



I×2PCS



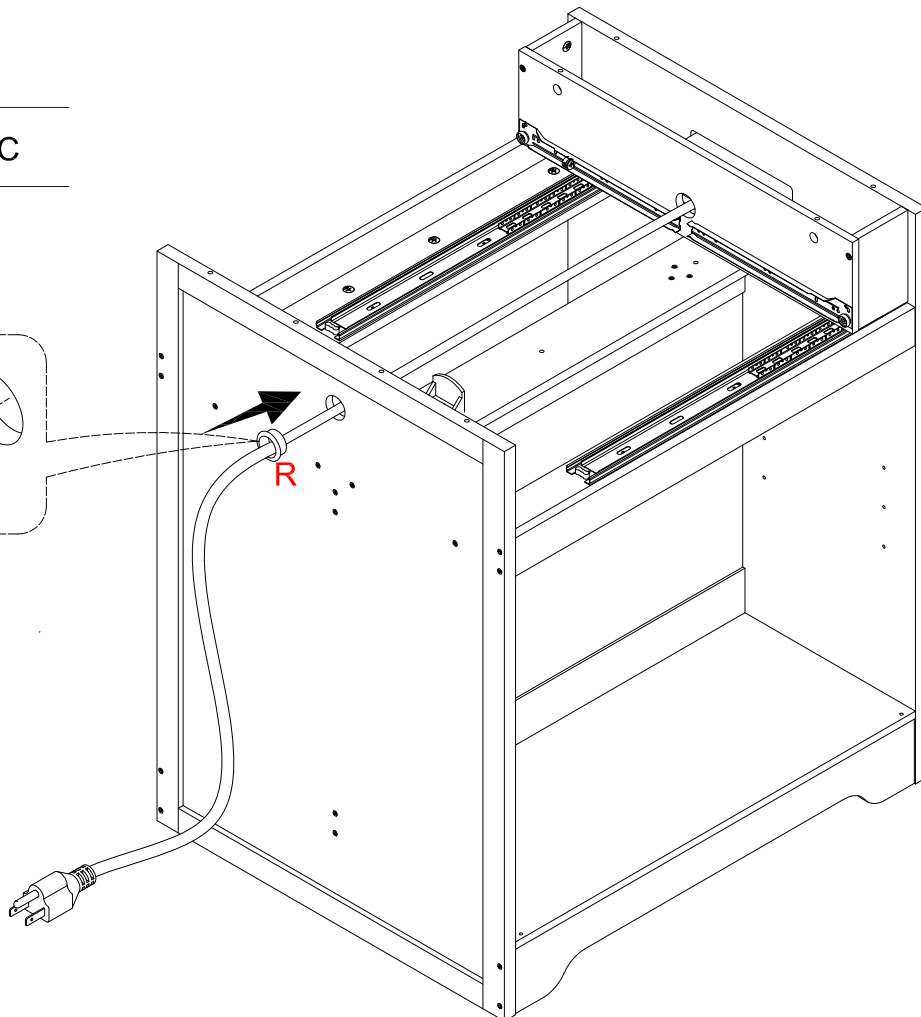
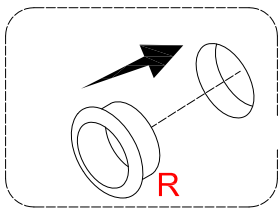
Q×1PC



## STEP 23



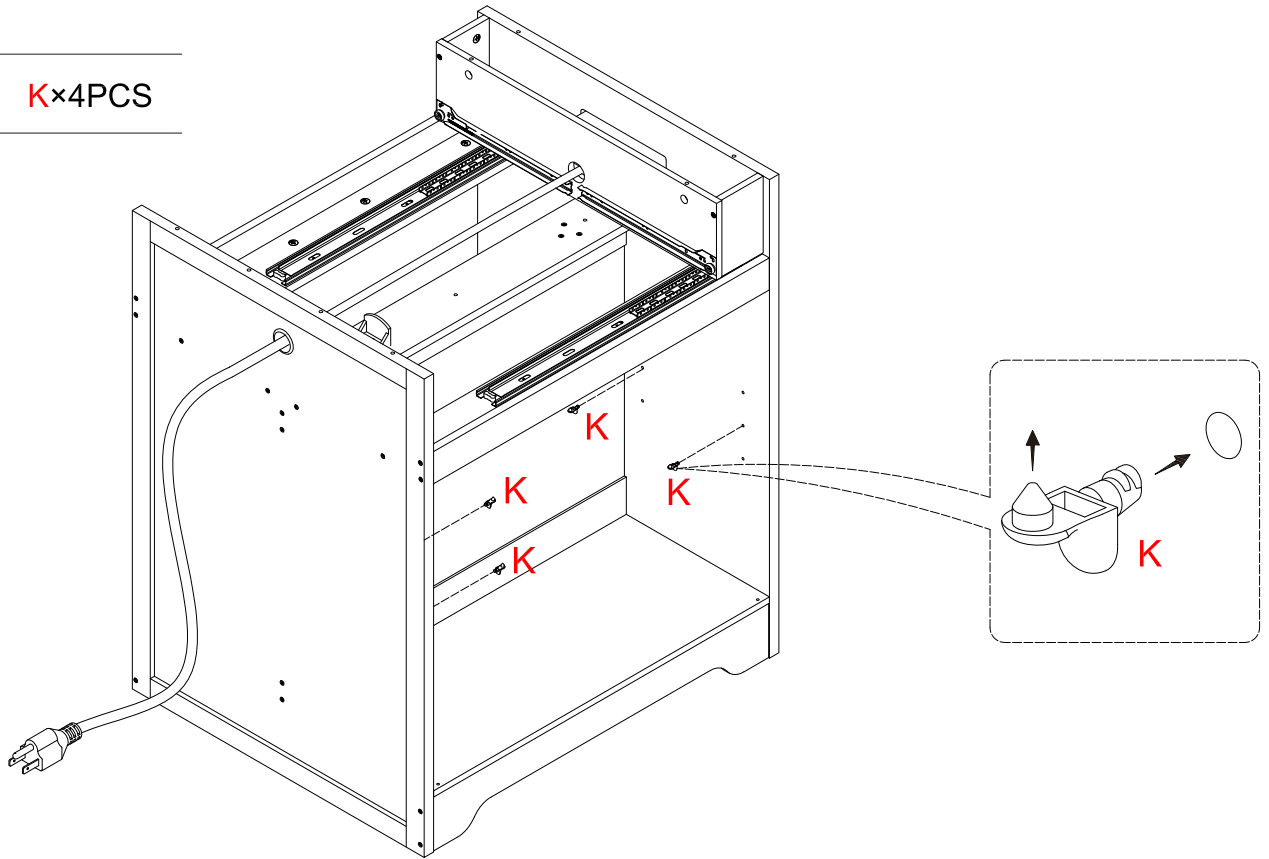
R×1PC



## STEP 24

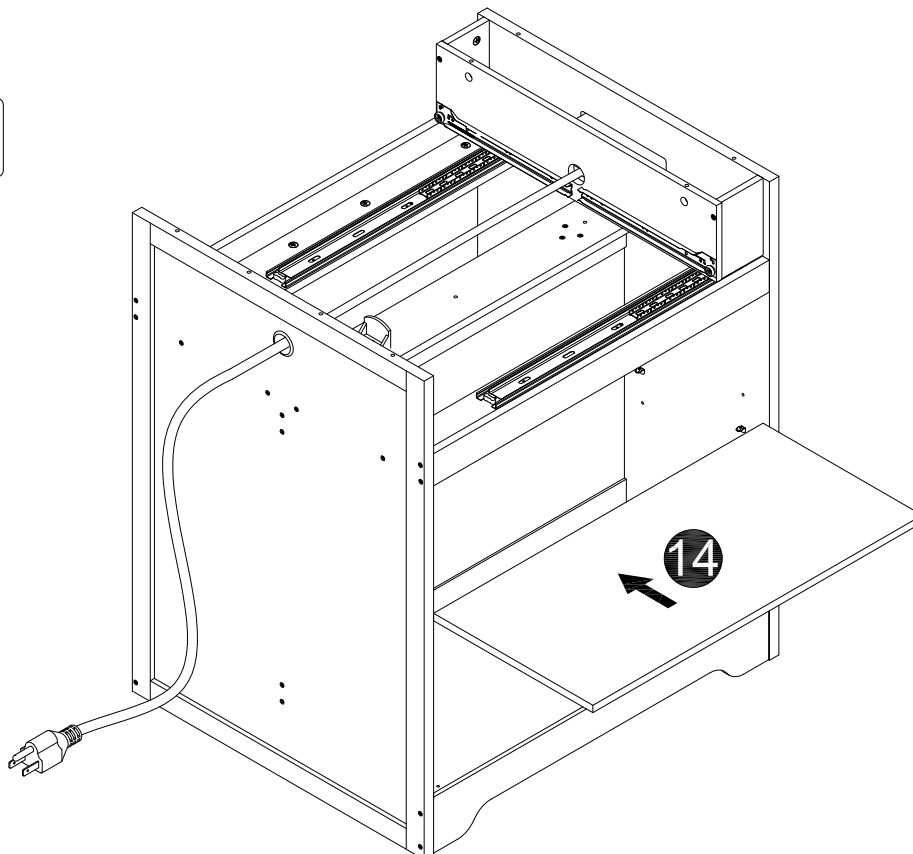


Kx4PCS



## STEP 25

14 x1pc

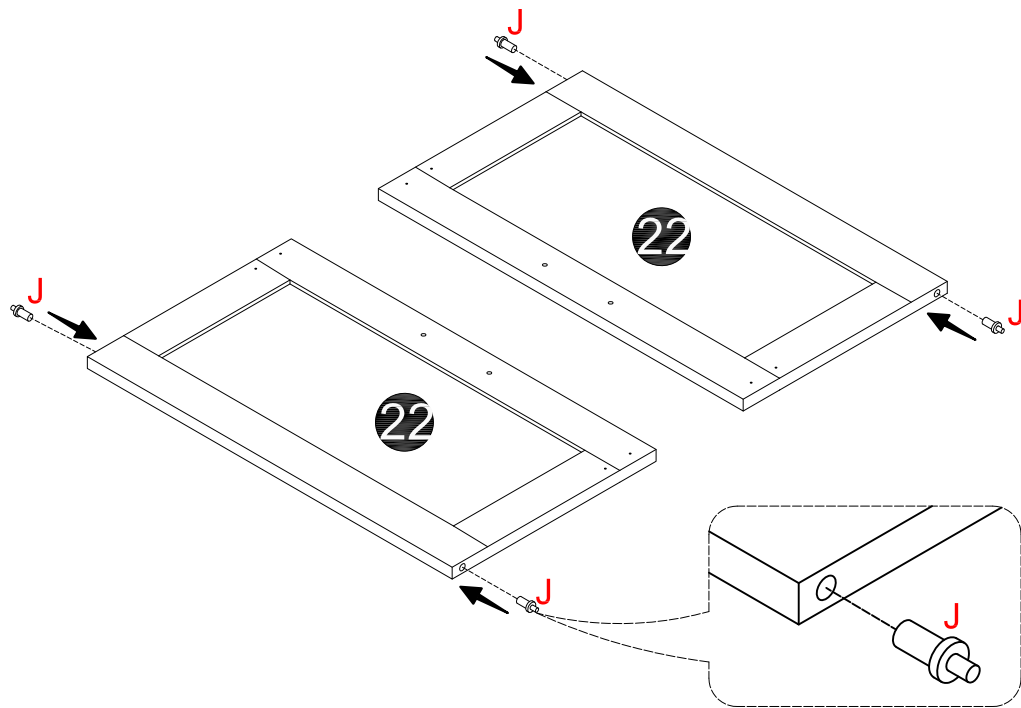


## STEP 26



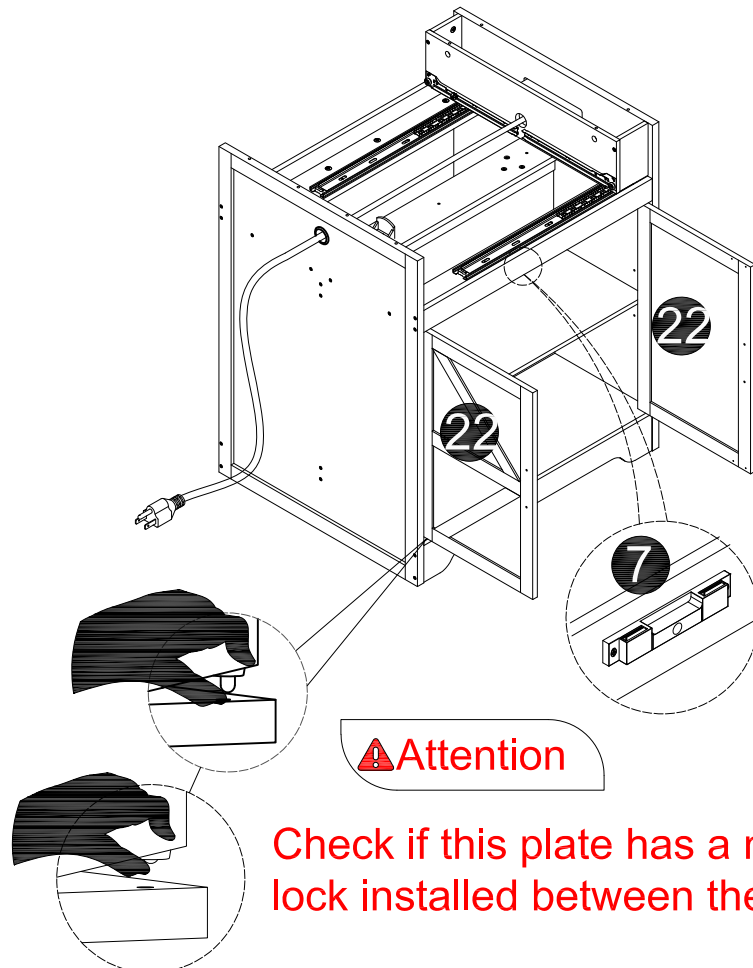
J×4PCS

22 x2pcs



## STEP 27

22 x2pcs



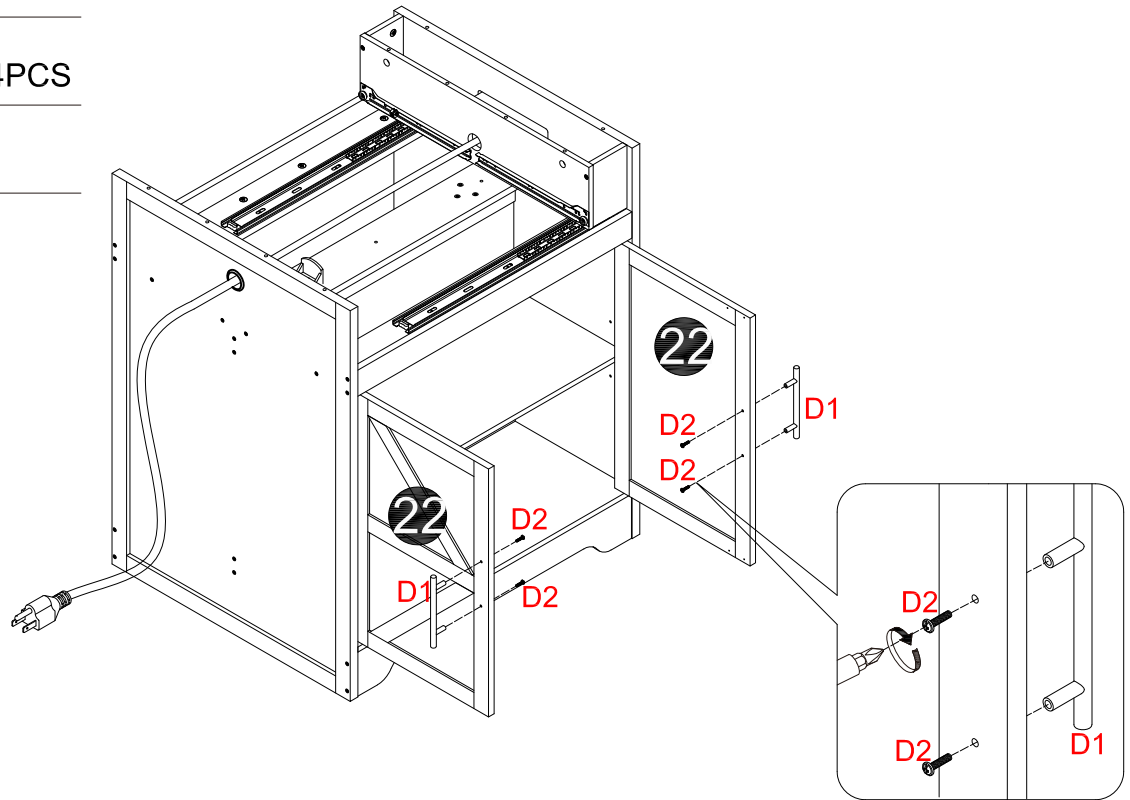
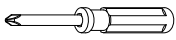
## STEP 26



D1×2PCS



D2×4PCS



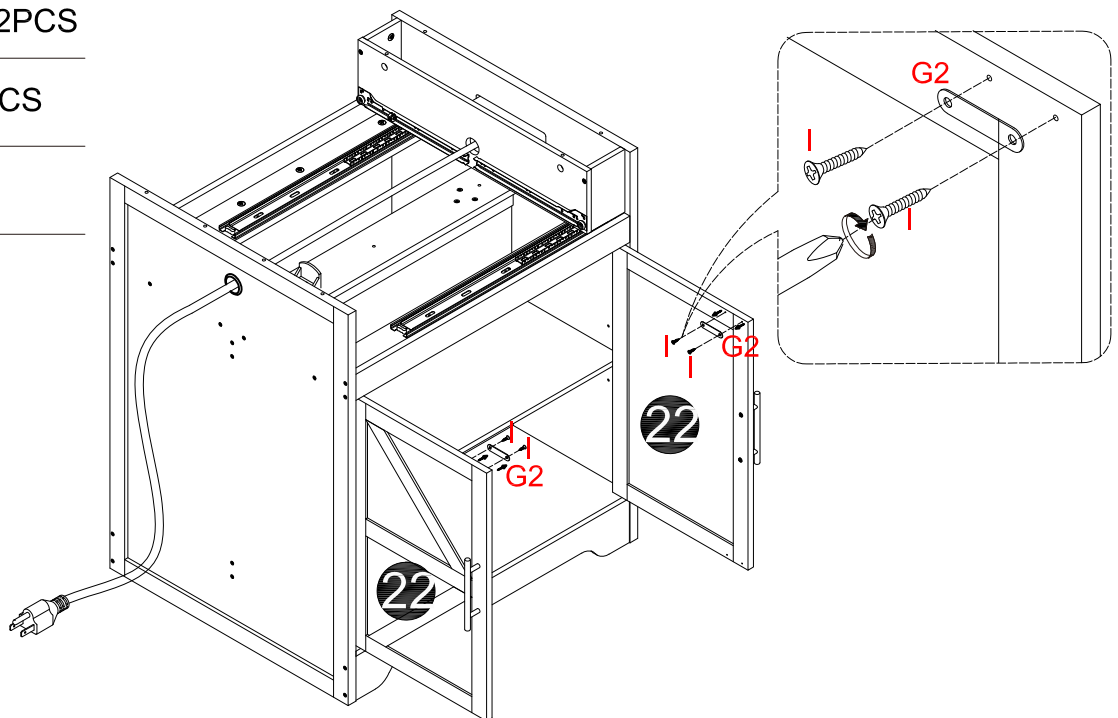
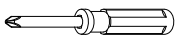
## STEP 27



G2×2PCS

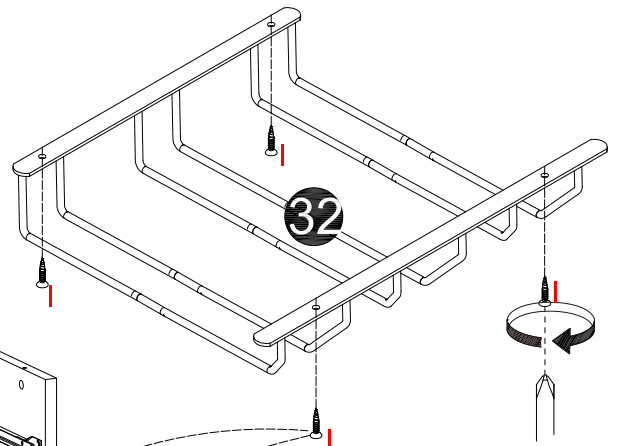
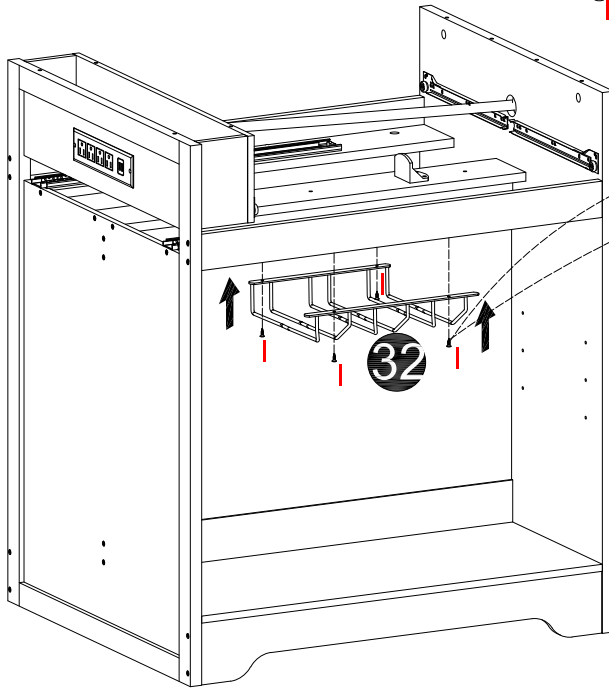
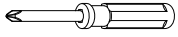


I×4PCS



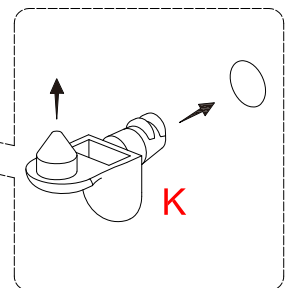
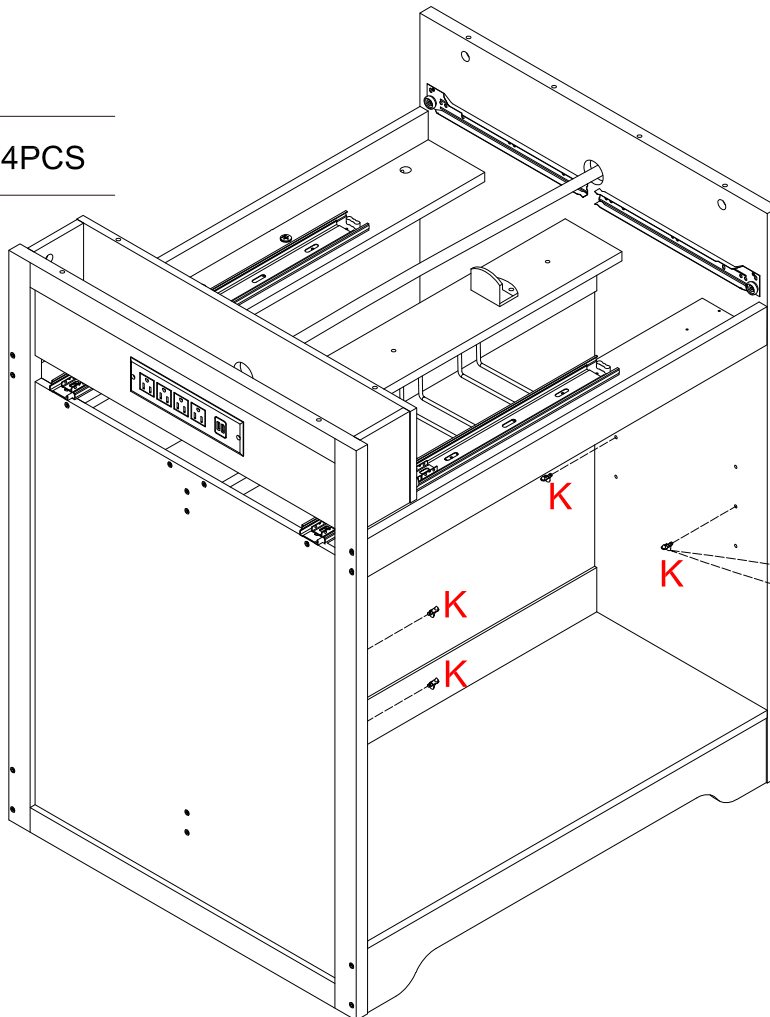
## STEP 28

 **I**×4PCS



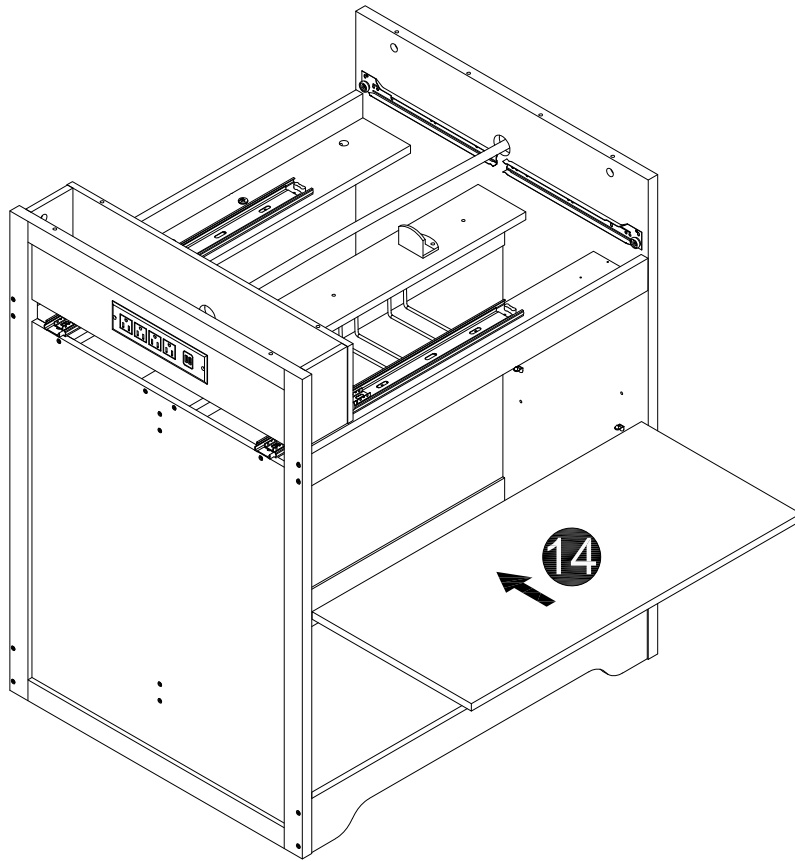
## STEP 29

 **K**×4PCS



# STEP 30

14 x 1pc



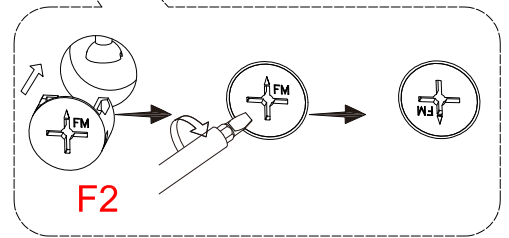
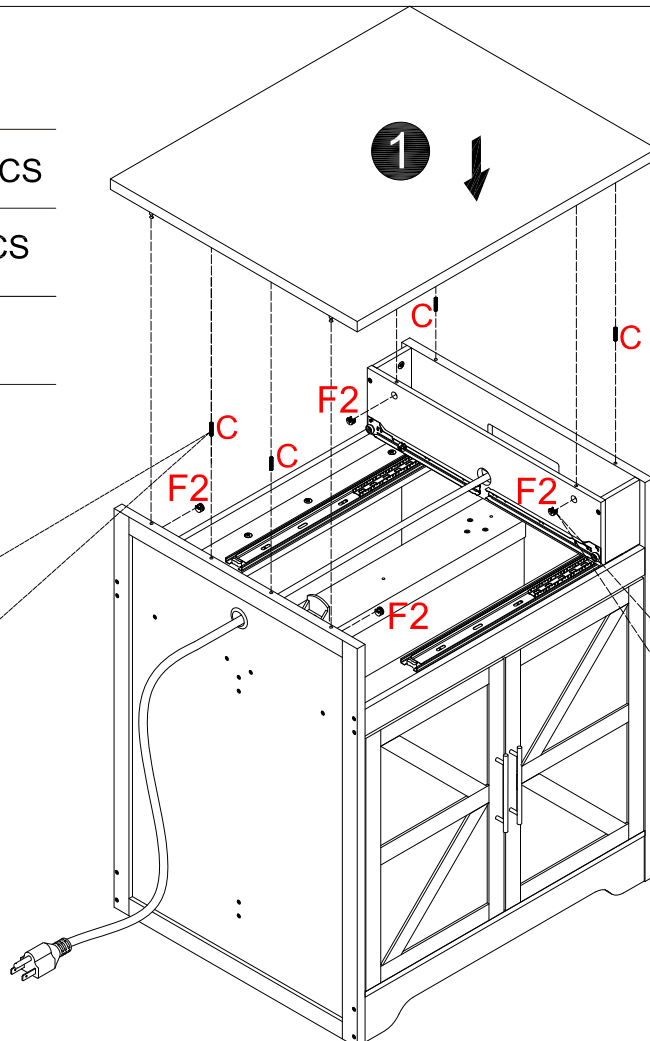
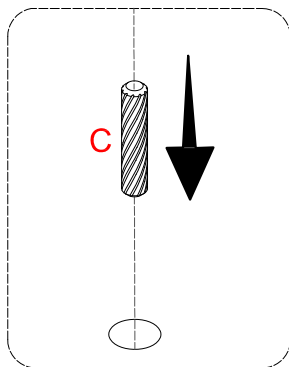
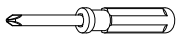
# STEP 31



F2 x 4PCS



C x 4PCS



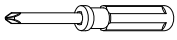
## STEP 32



F2×5PCS



C×1PC

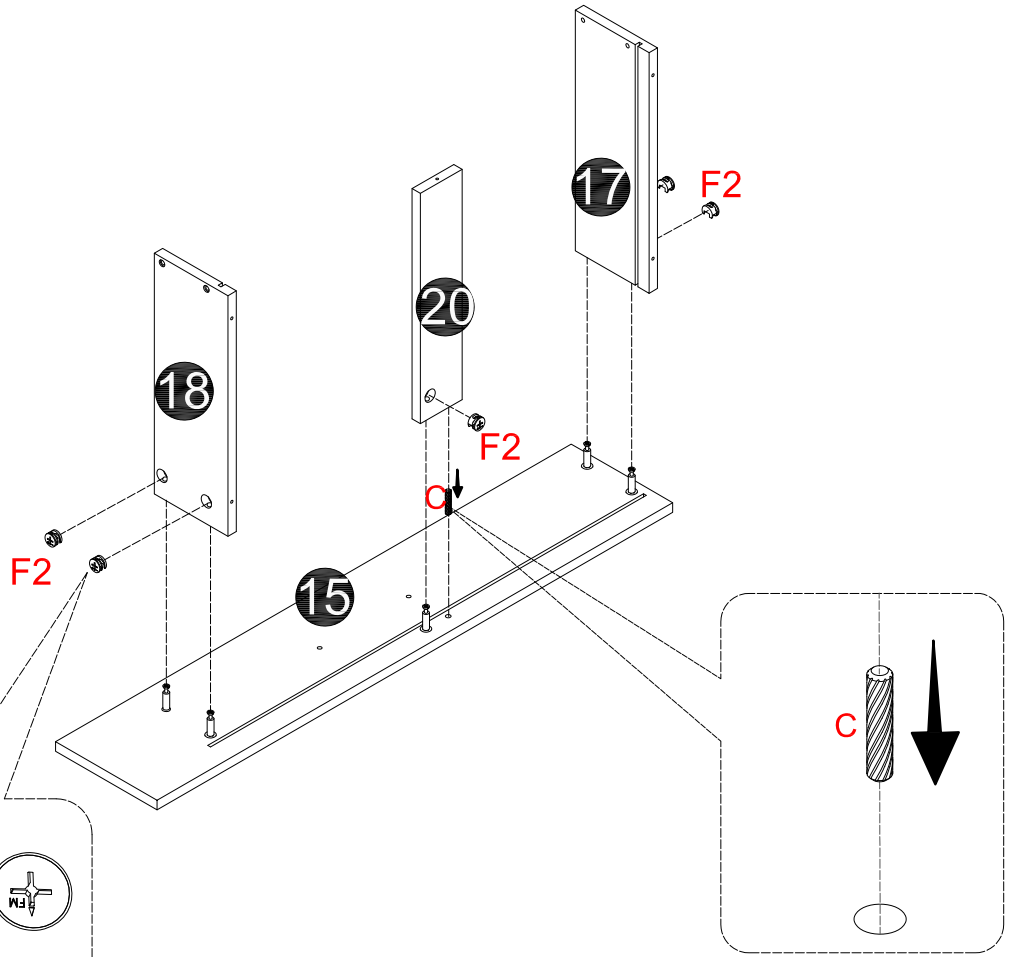
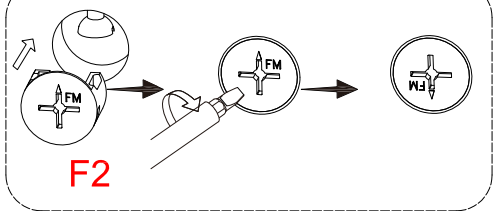


15 x1pc

17 x1pc

18 x1pc

20 x1pc



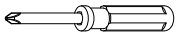
## STEP 33



F2×5PCS



C×1PC

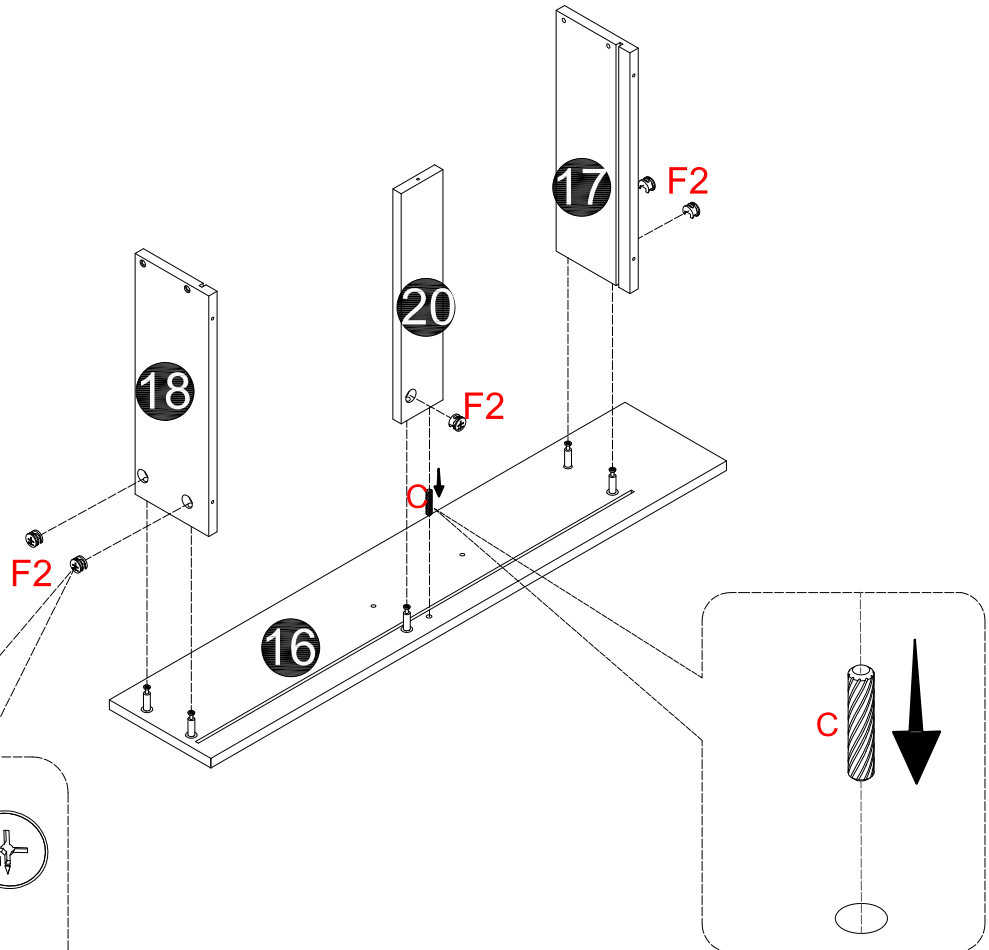
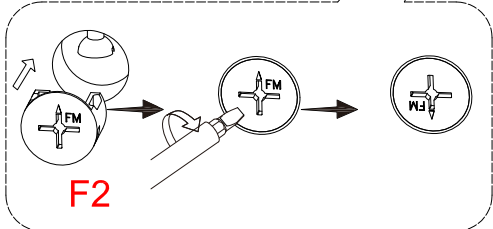


16 x1pc

17 x1pc

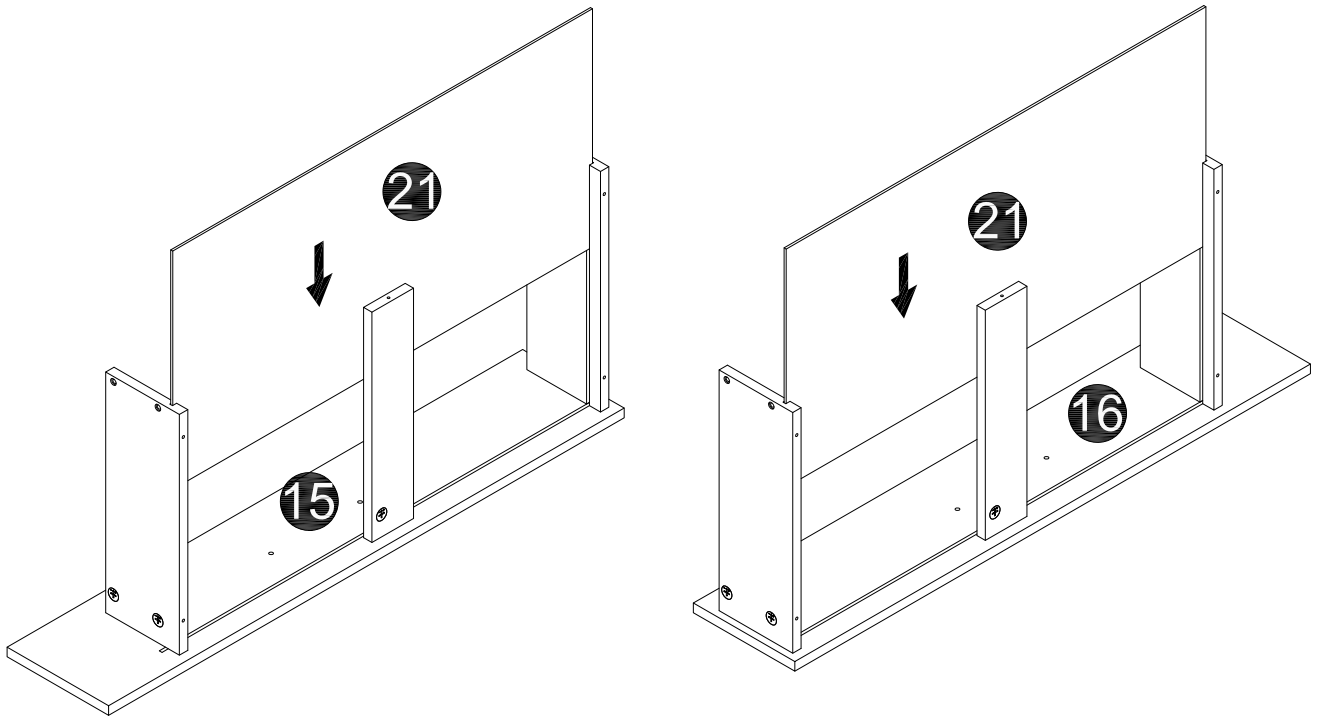
18 x1pc

20 x1pc



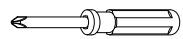
# STEP 34

21 x2pcs

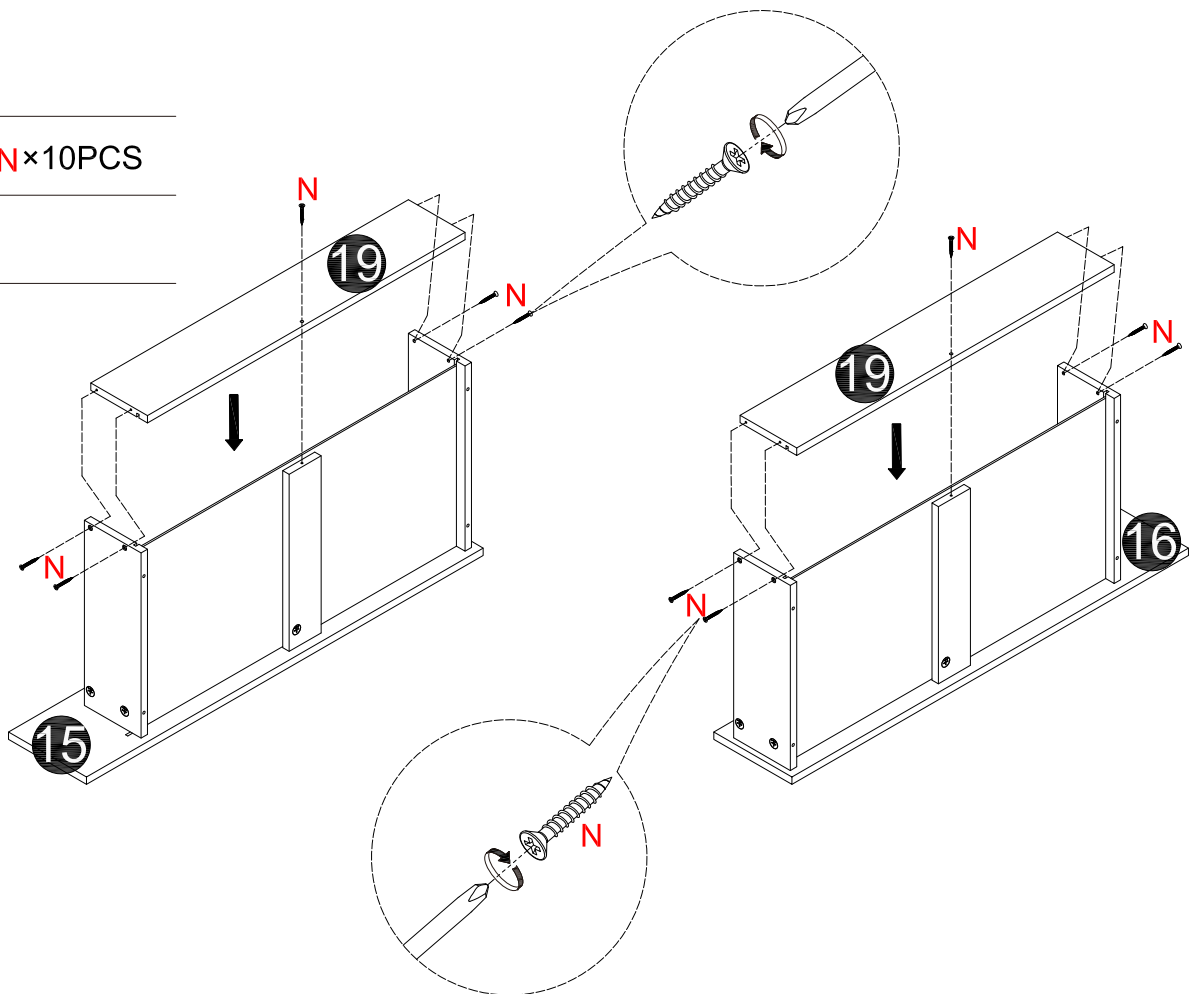


# STEP 35

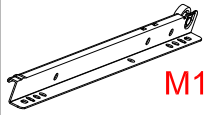
 N x 10PCS



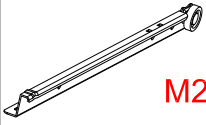
19 x2pcs



# STEP 36



M1(DL)×2PCS

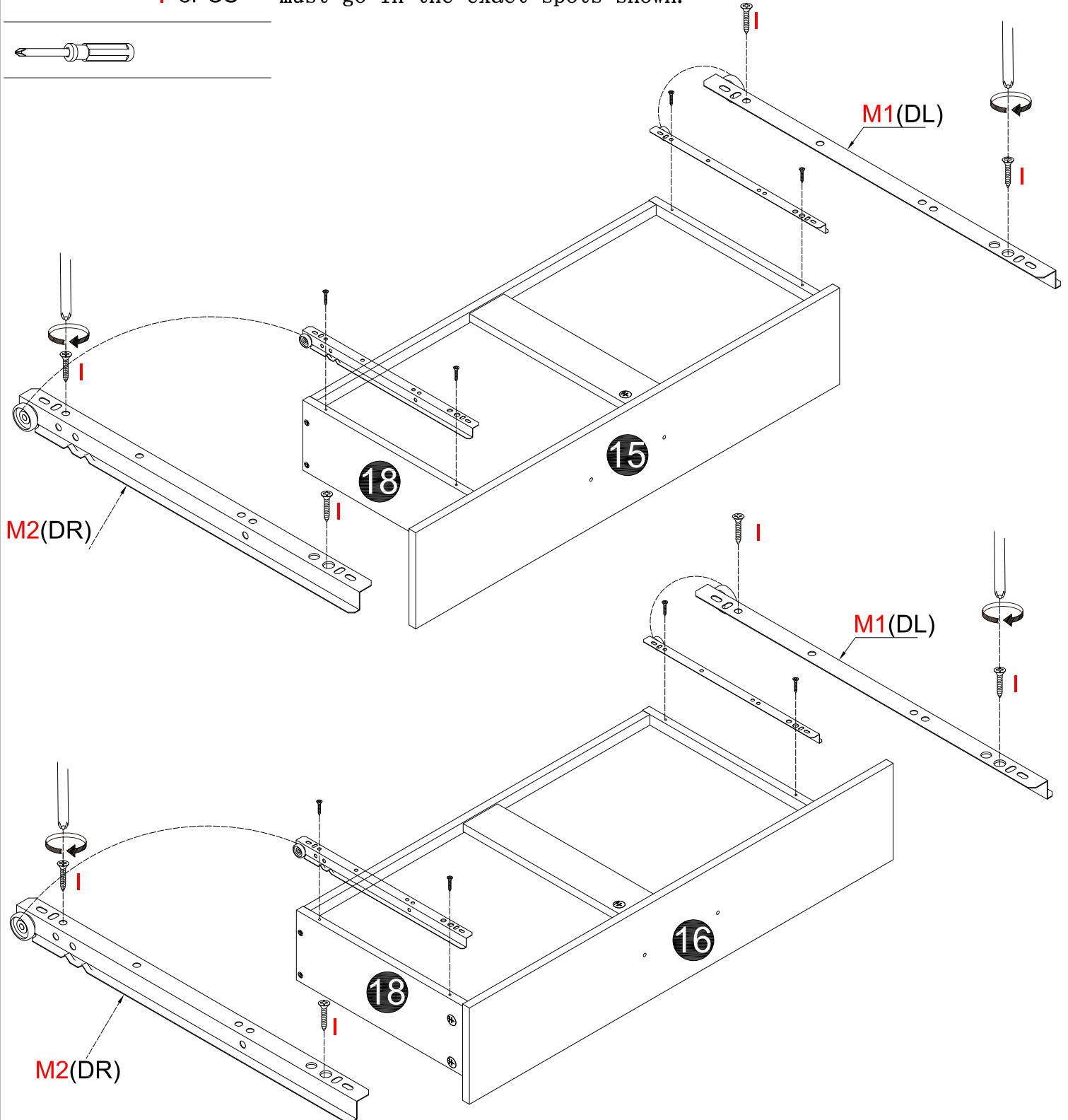
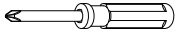


M2(DR)×2PCS

NOTE:

Refer to the images to identify M1-DL (left) and M2-DR (right). Attach M1-DL to #17 panel and M2-DR to #18 panel. [I] screws must go in the exact spots shown.

I×8PCS



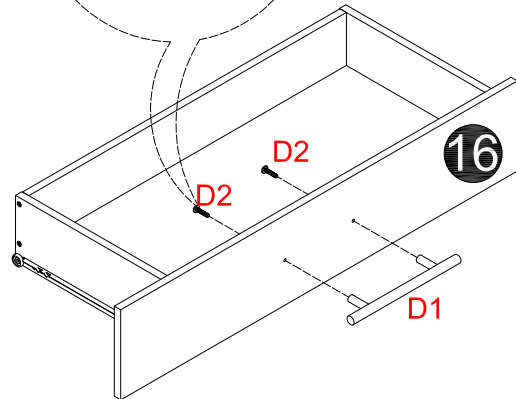
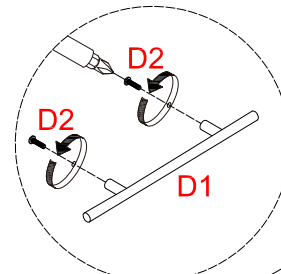
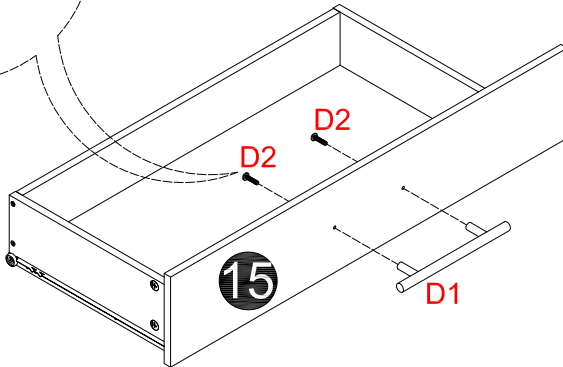
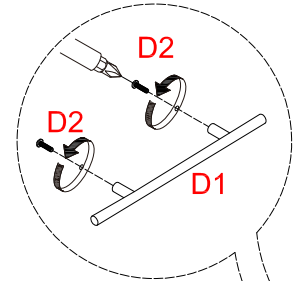
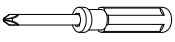
## STEP 37



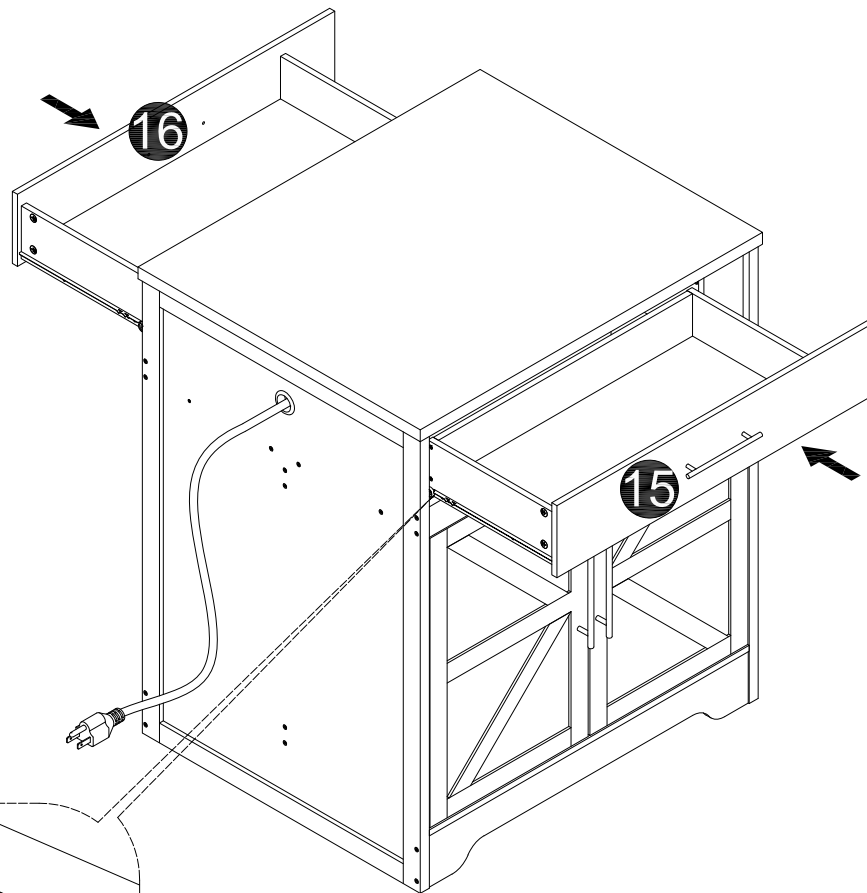
D1×2PCS



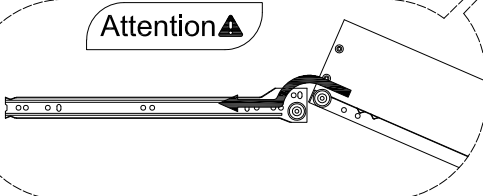
D2×4PCS



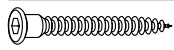
## STEP 38




Attention ⚠



### STEP 39

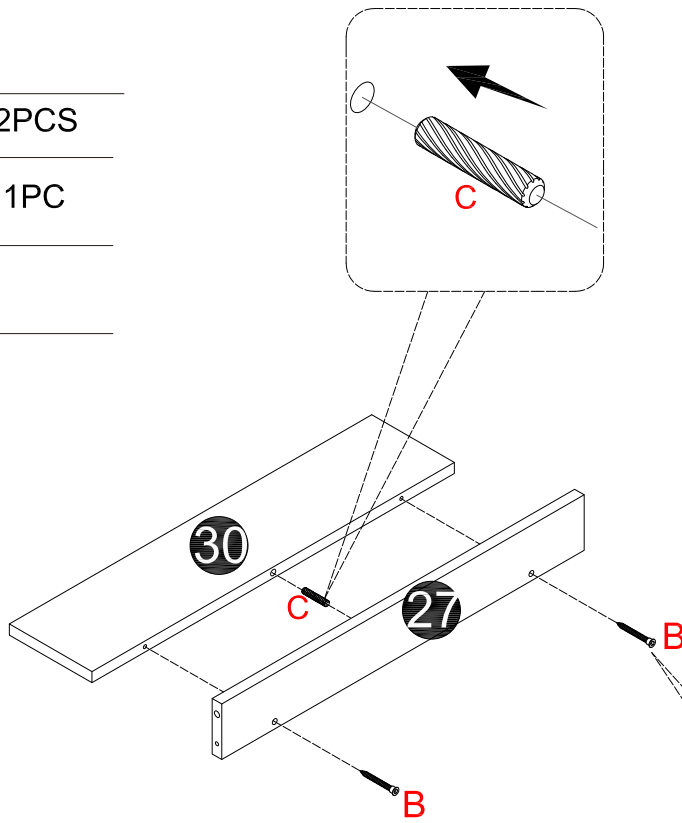
 B×2PCS

 C×1PC


 A

27 x1pc

30 x1pc



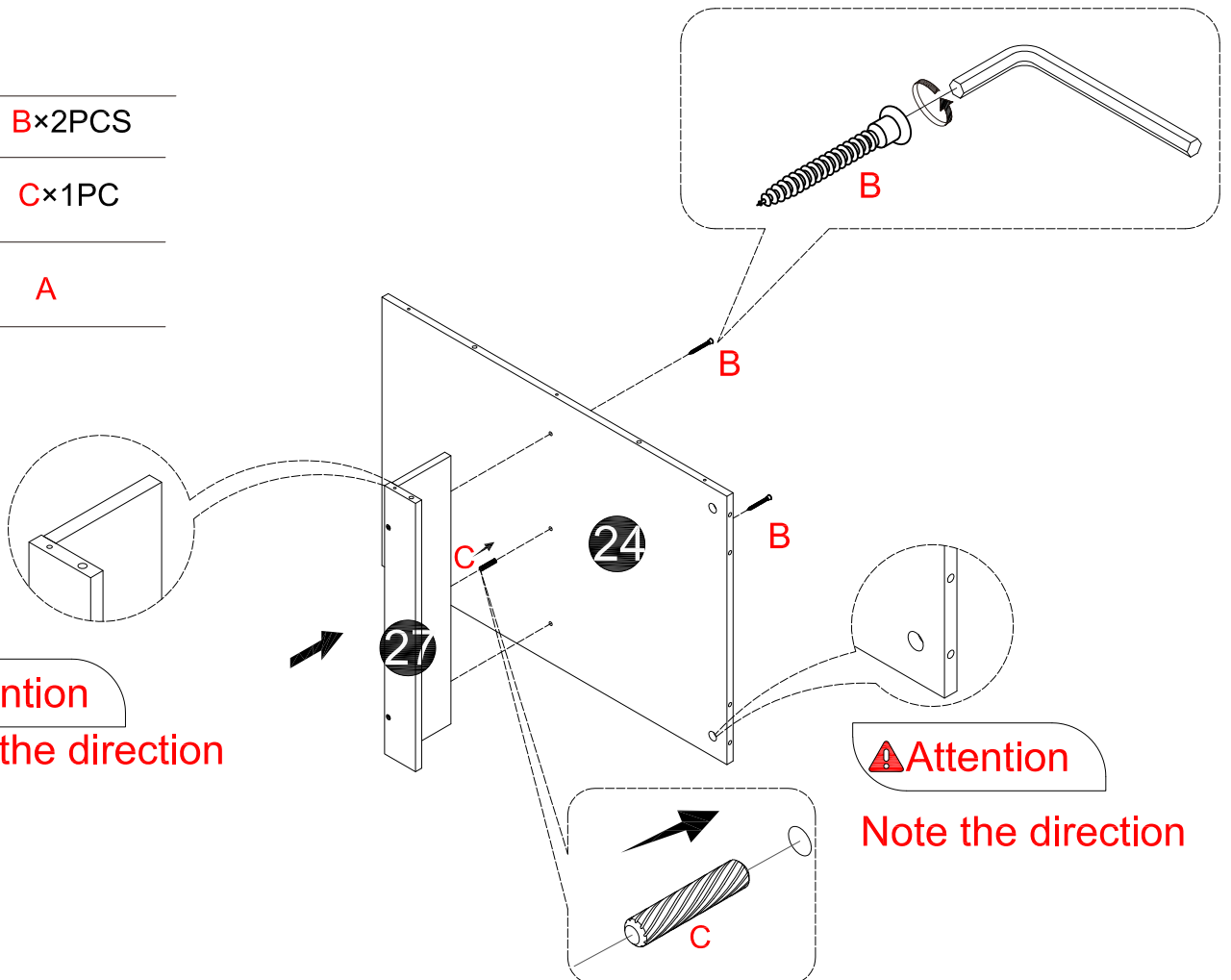
### STEP 40

 B×2PCS


 C×1PC

 A

24 x1pc



## STEP 41

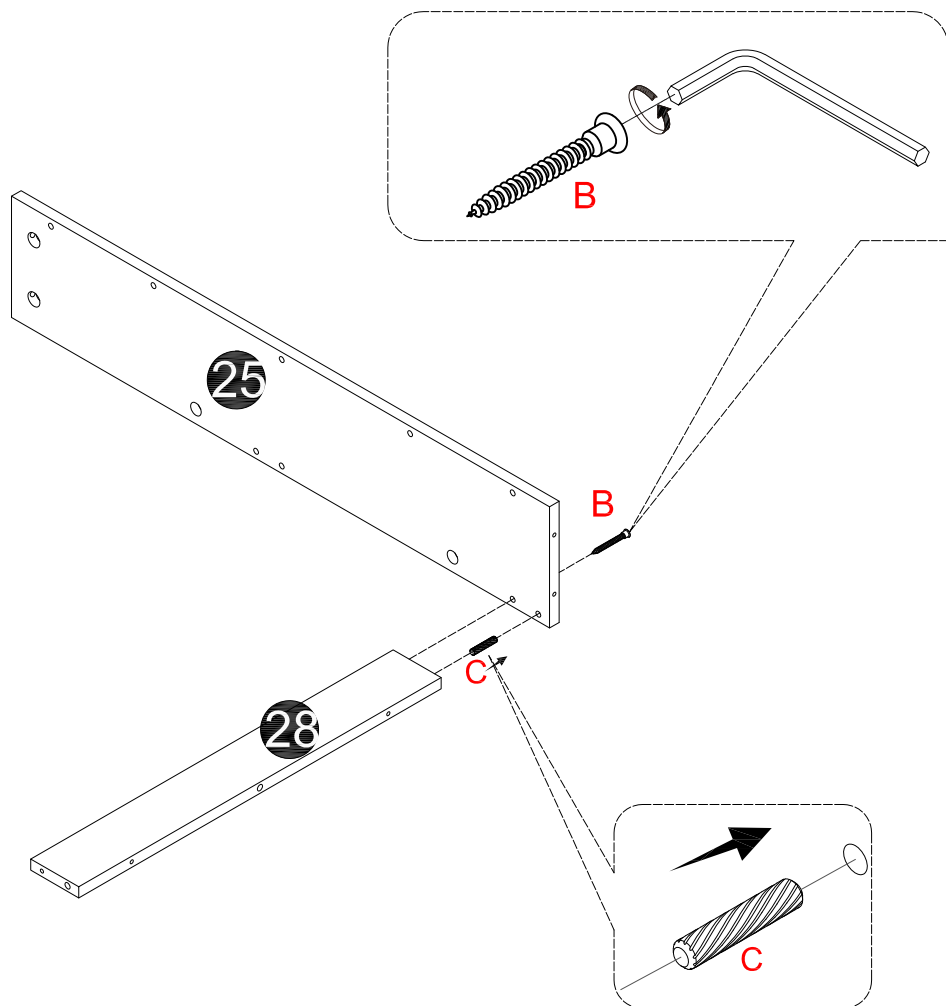
 B×1PC

 C×1PC


 A

25 x1pc

28 x1pc

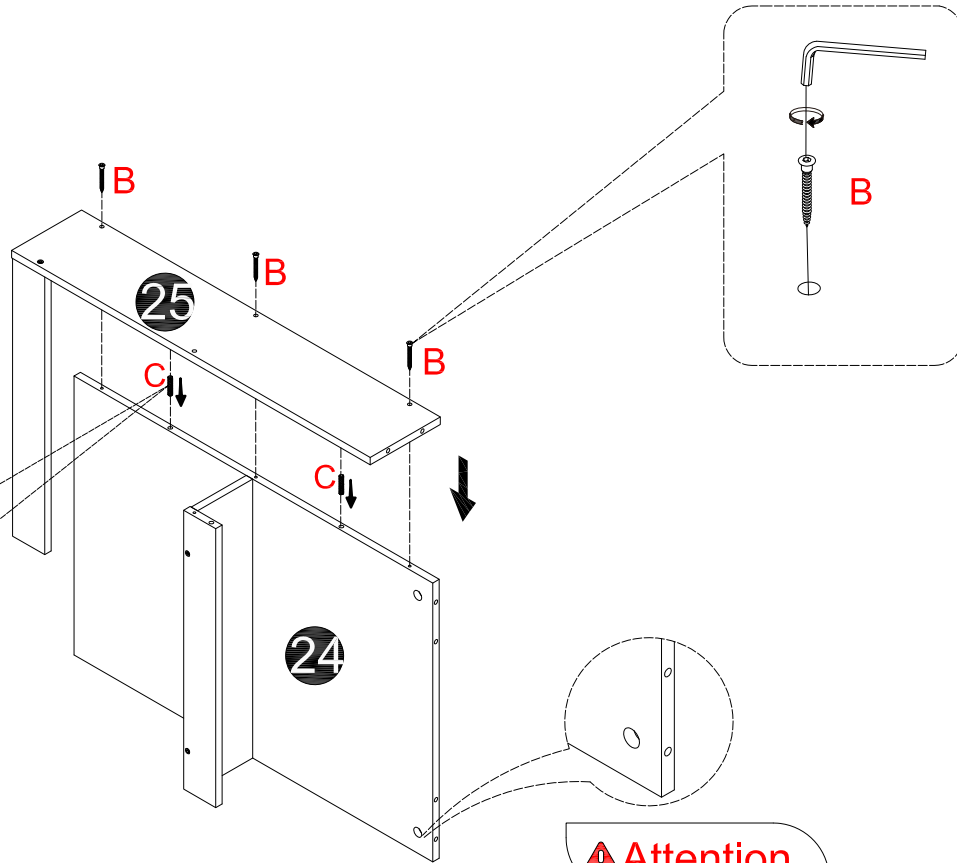
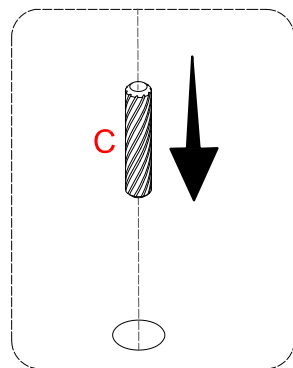


## STEP 42

 B×3PCS

 C×2PCS

 A

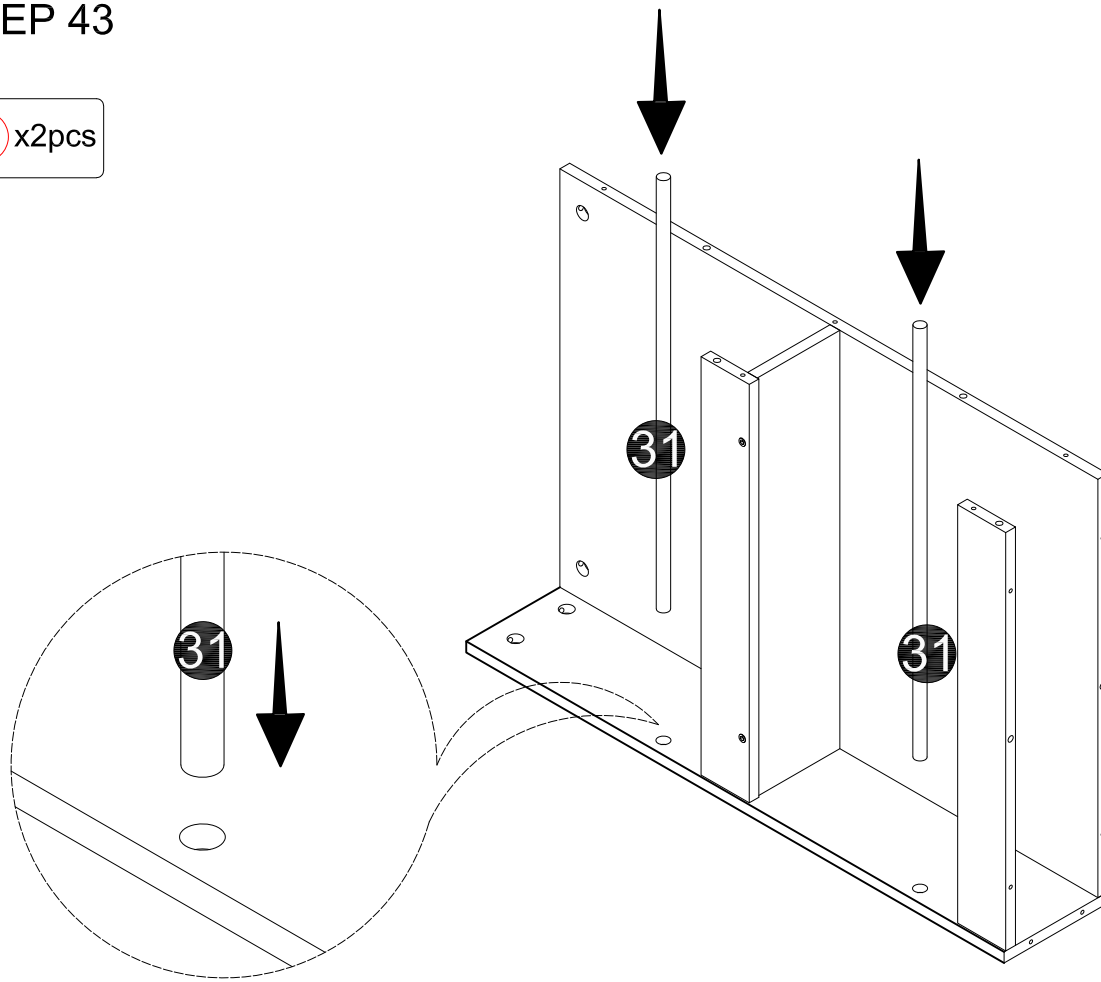


 Attention


Note the direction


# STEP 43

31 x2pcs



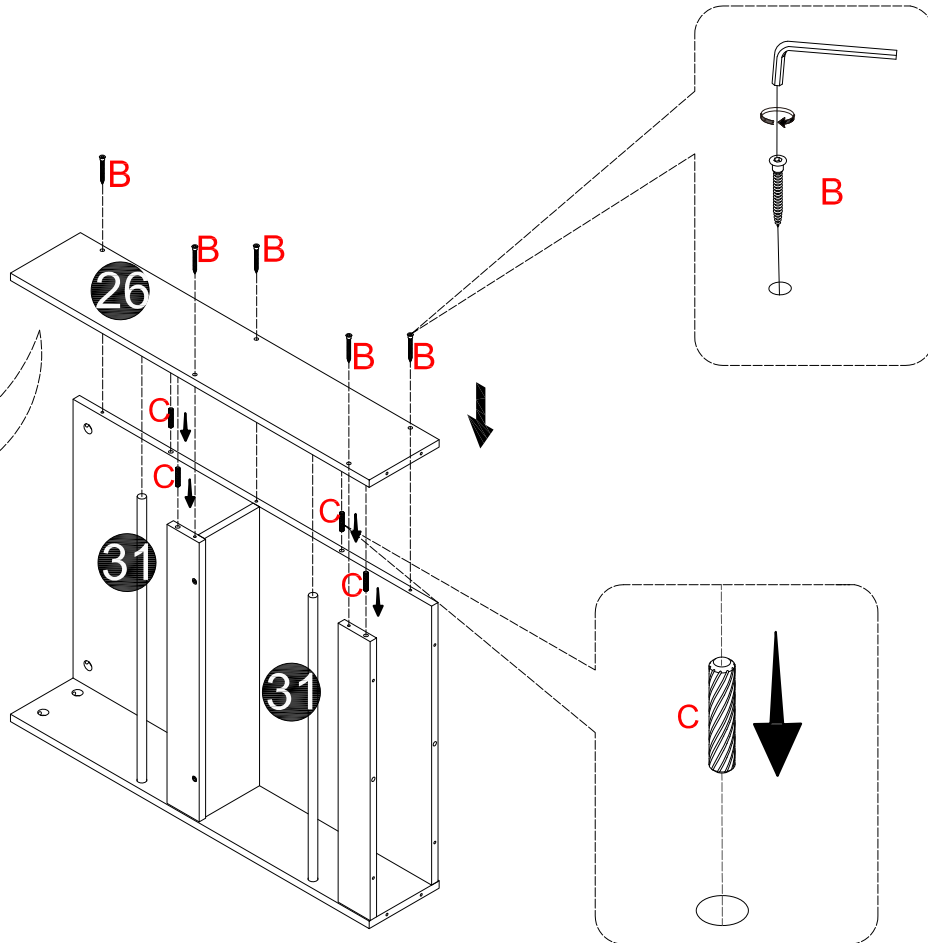
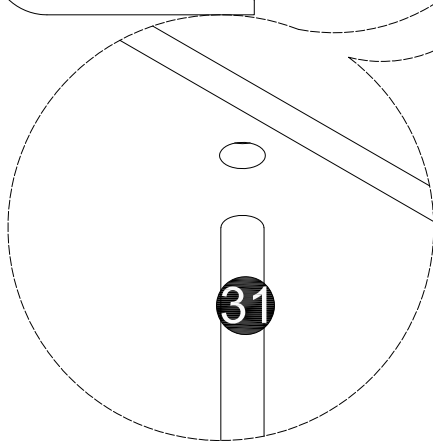
# STEP 44

 B x5PCS

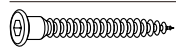
 C x4PCS

 A

**Attention**

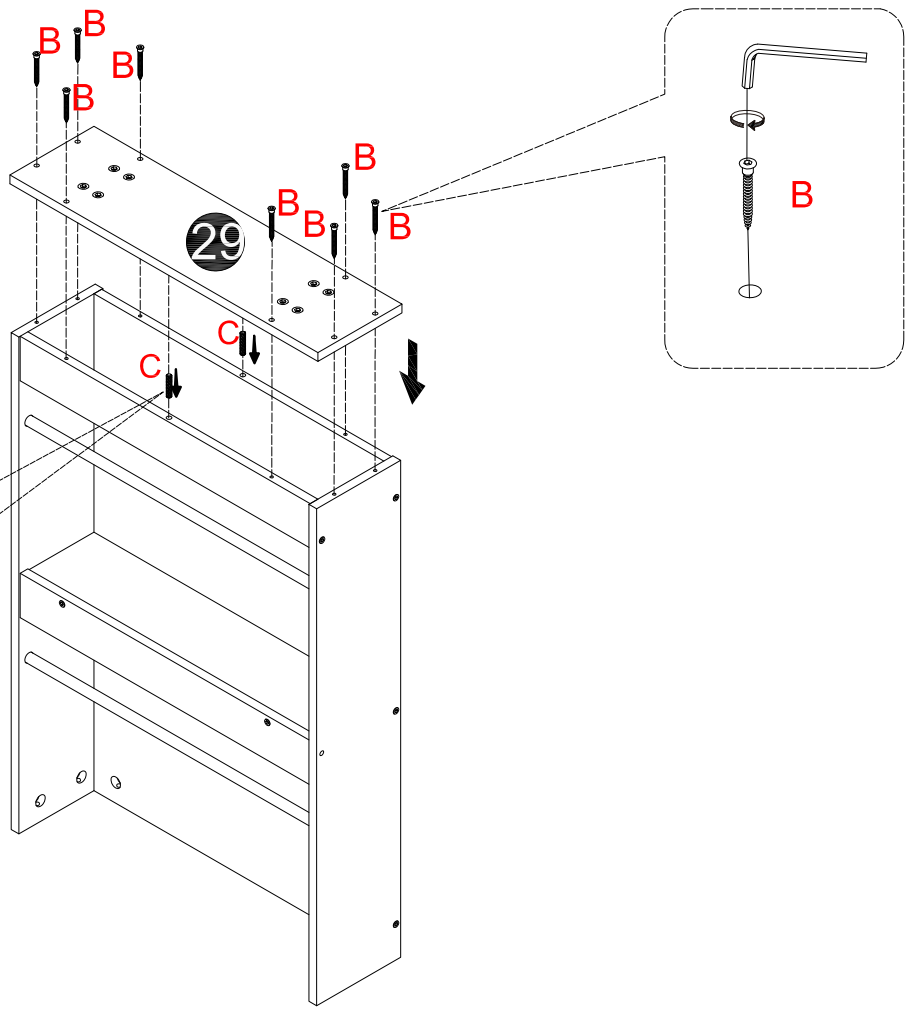
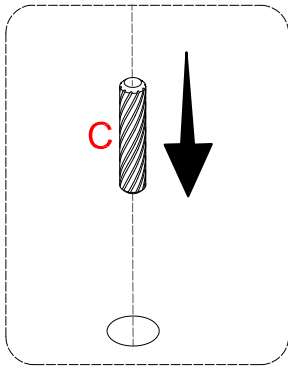


# STEP 45

 **B**×8PCS

 **C**×2PCS

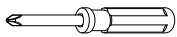
 **A**



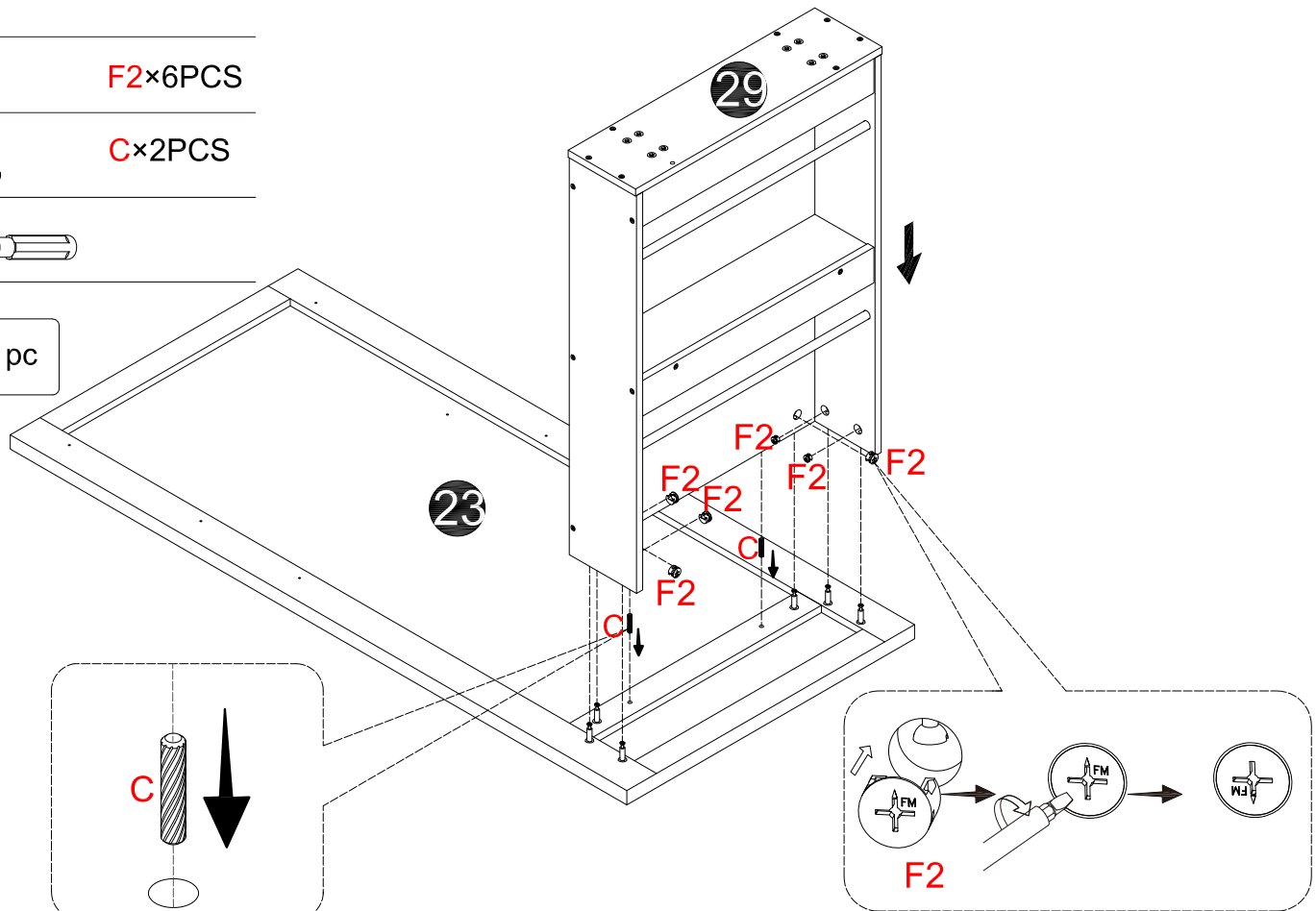
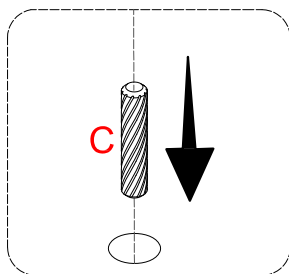
# STEP 46

 **F2**×6PCS

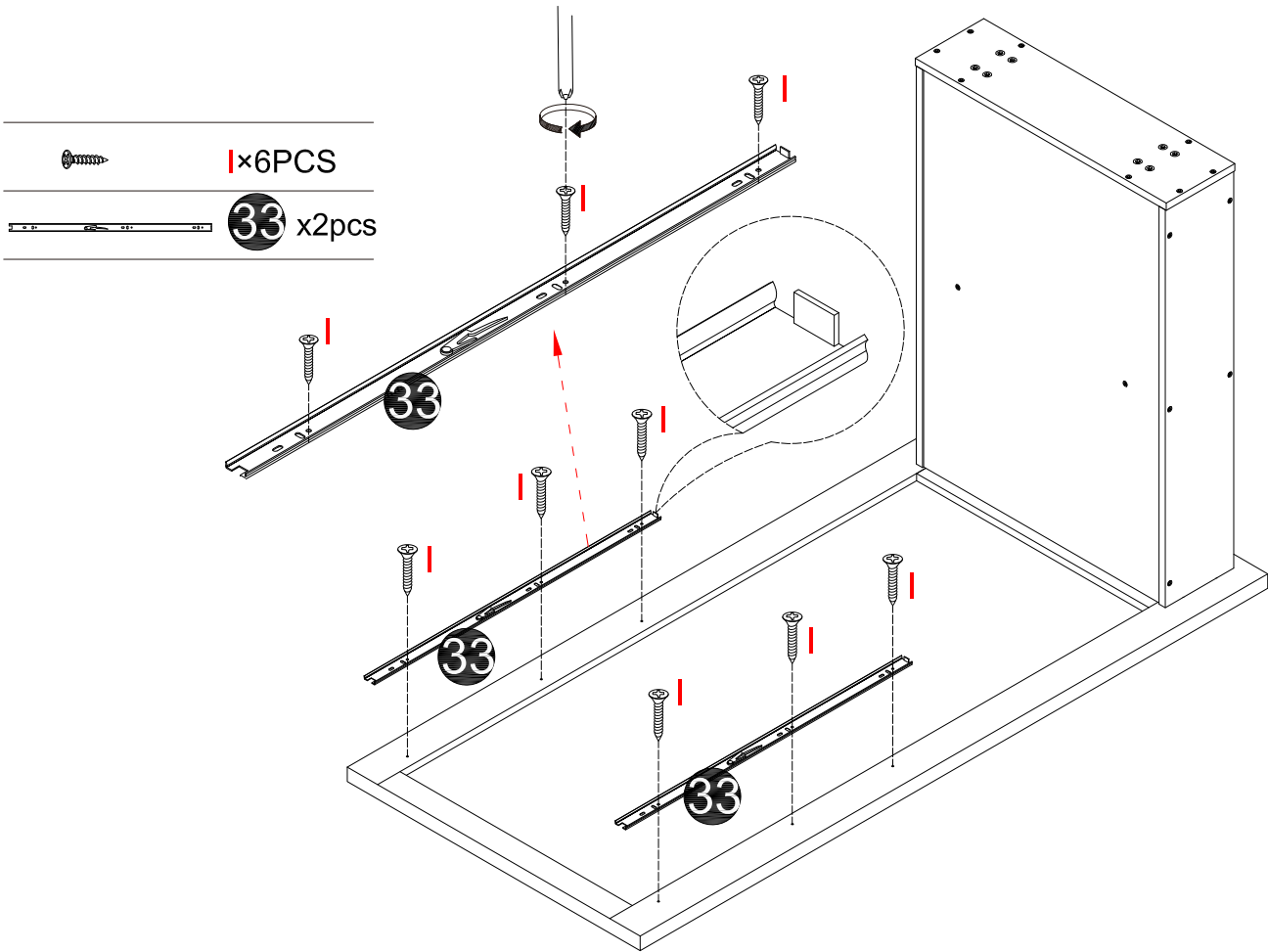
 **C**×2PCS



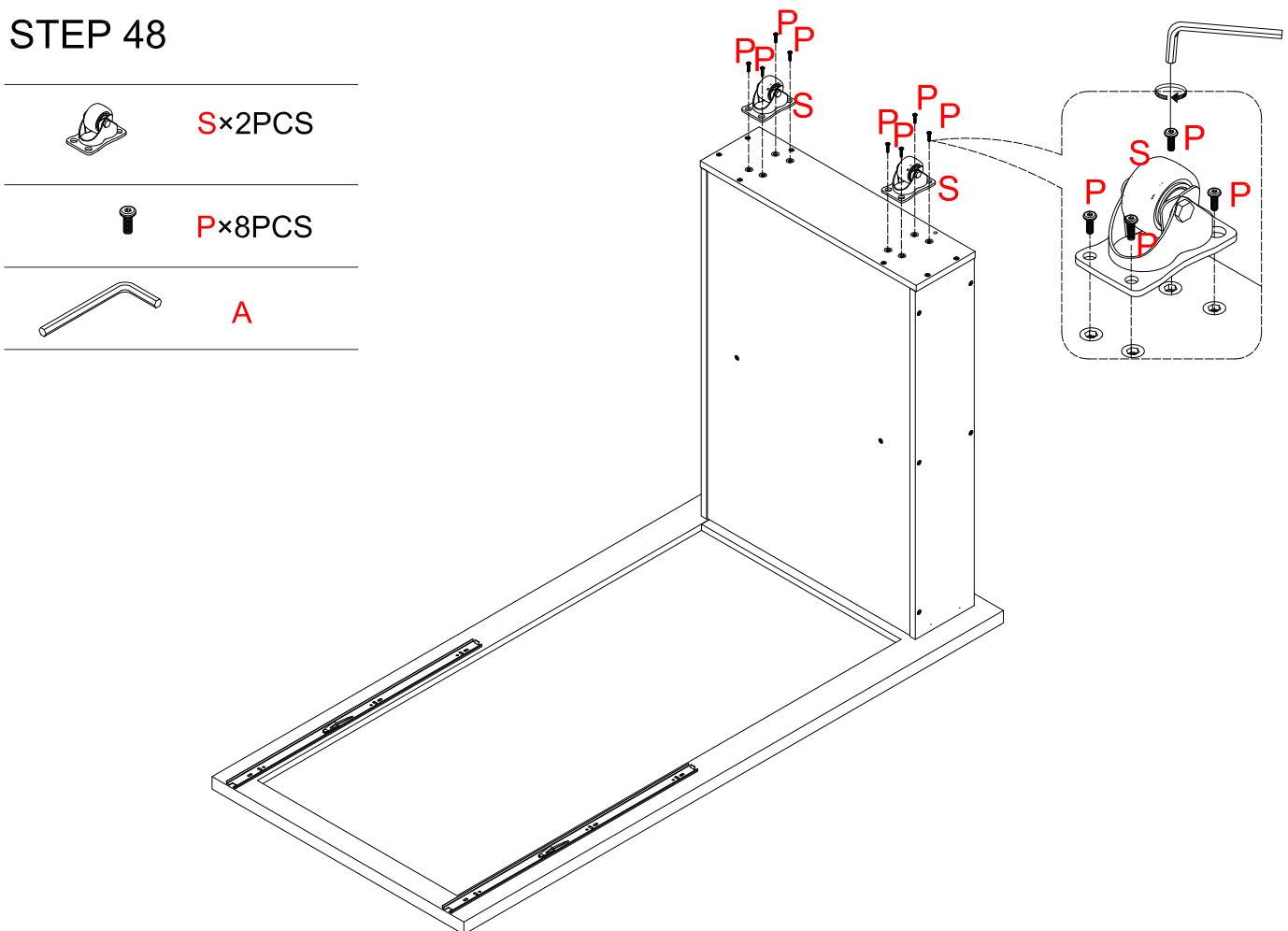
**23**×1pc



# STEP 47

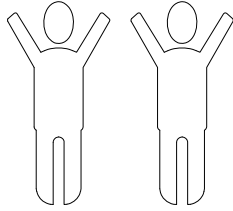


# STEP 48

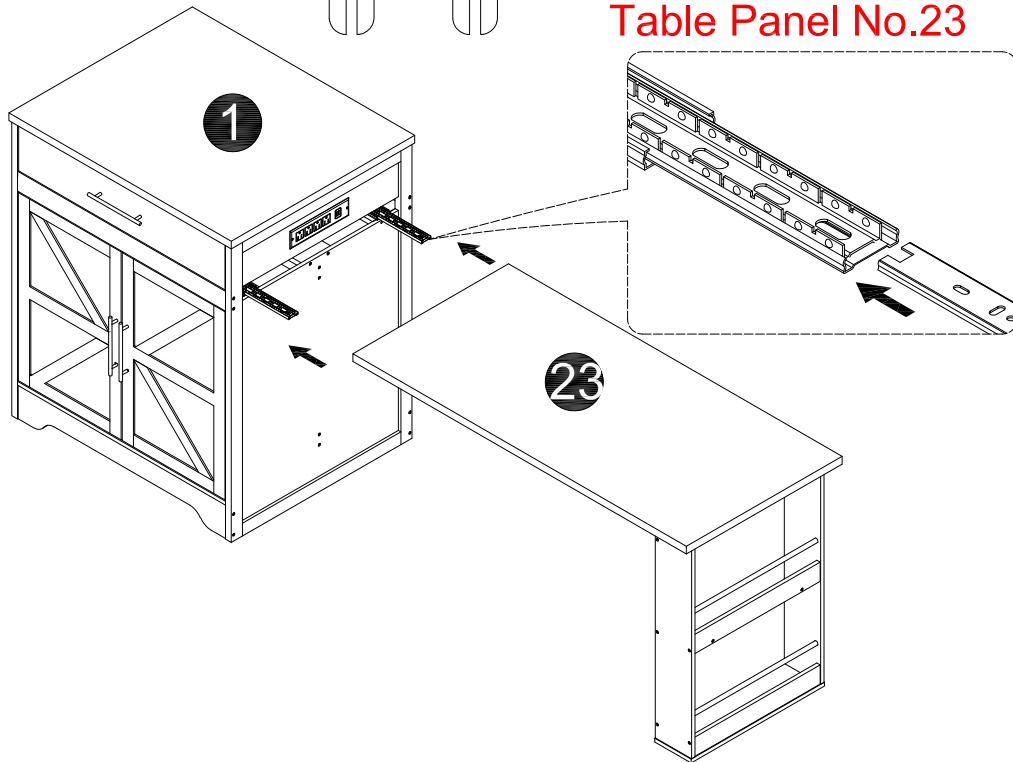


## STEP 49

**Attention**



1. This step requires two people to collaborate during installation.
2. It is recommended to first plan the location of Panel Cabinet No.1 before coordinating the installation of Long Table Panel No.23



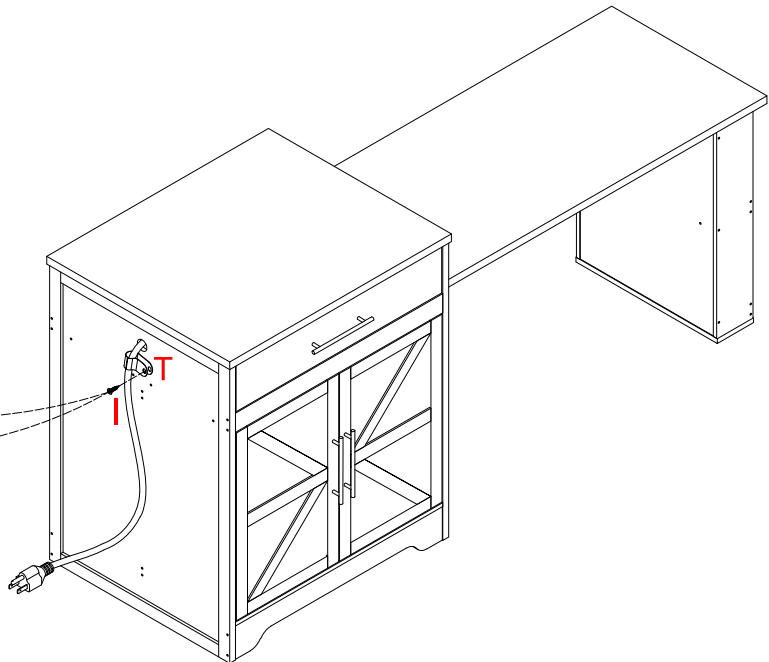
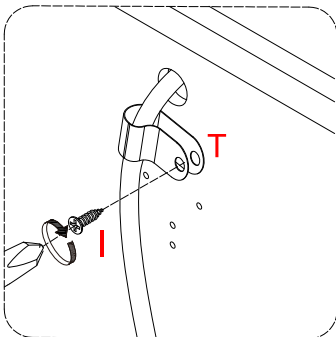
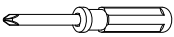
## STEP 50



T×1PC



I×1PC



**Attention**

Secure the cable clamp according to your needs to prevent the power strip cord from sliding inward