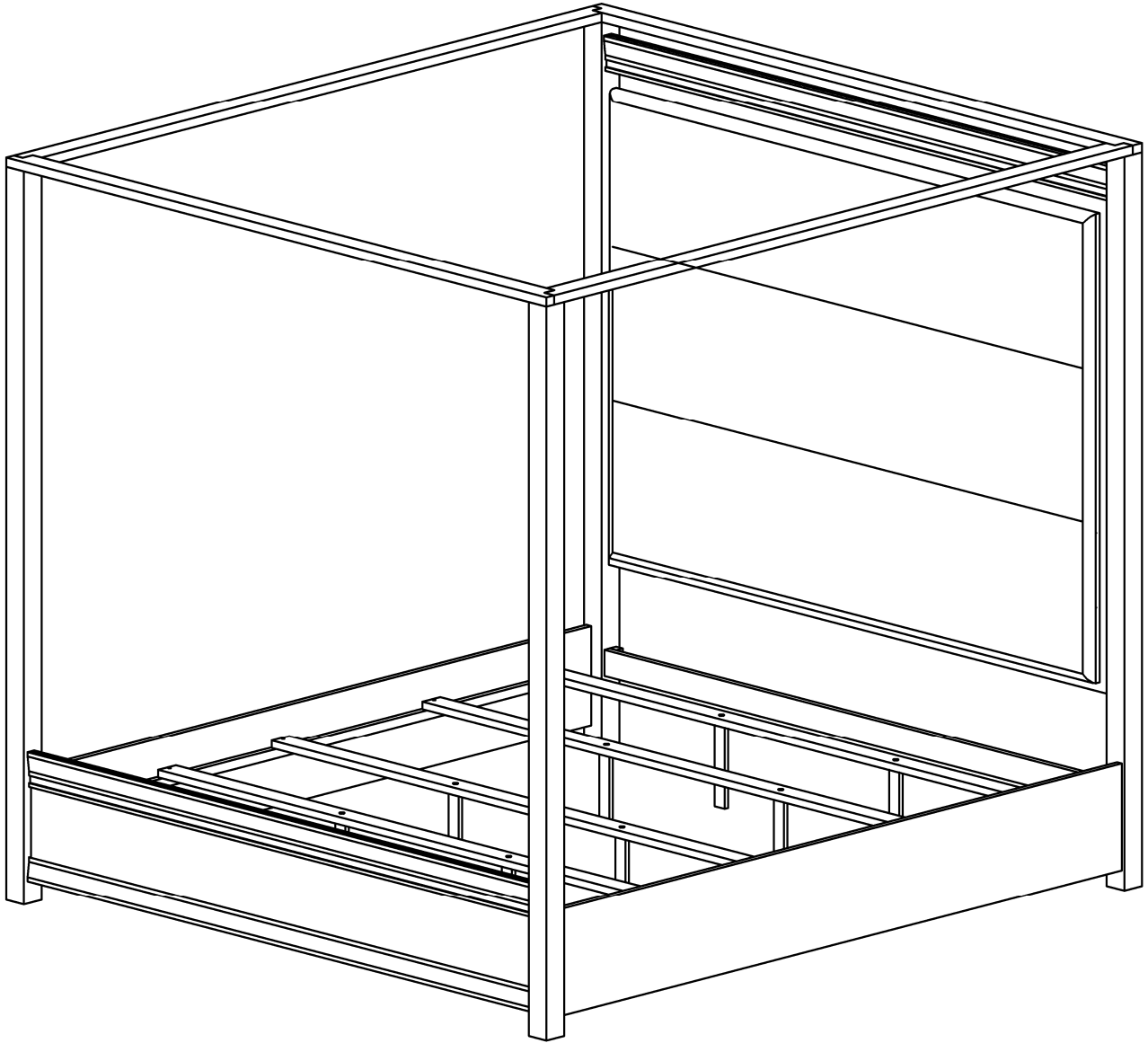


ASSEMBLY INSTRUCTION

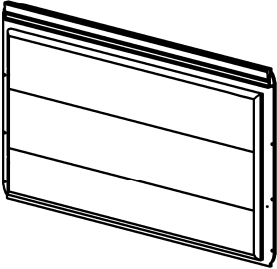



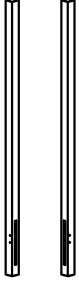
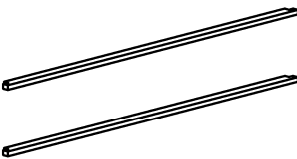
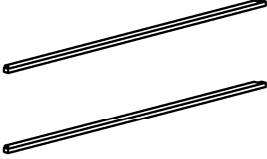
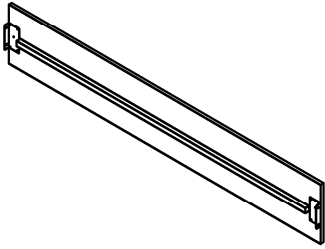
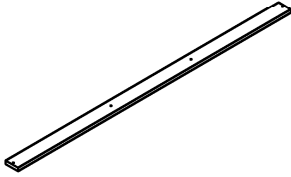

KING BED



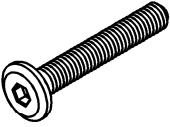
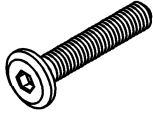


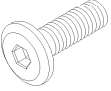


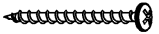


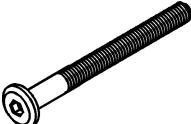

SAFETY WARNINGS

1. Always use the recommended size mattress or mattress support, or both, to help prevent the likelihood of entrapment or falls.
2. Do not allow horseplay on or under the bed and prohibit jumping on the bed.
3. Do not use substitute part. Contact the manufacturer or dealer for replacement part.
4. The use of water or sleep flotation mattresses is prohibited.
5. Keep these instruction for future reference.
6. Strangulation Hazard - Never attach or hang items to any part of the bed that are not designed for use with the bed, for example, but not limited to hooks, belts and jump ropes.

ASSEMBLY INSTRUCTION KING BED

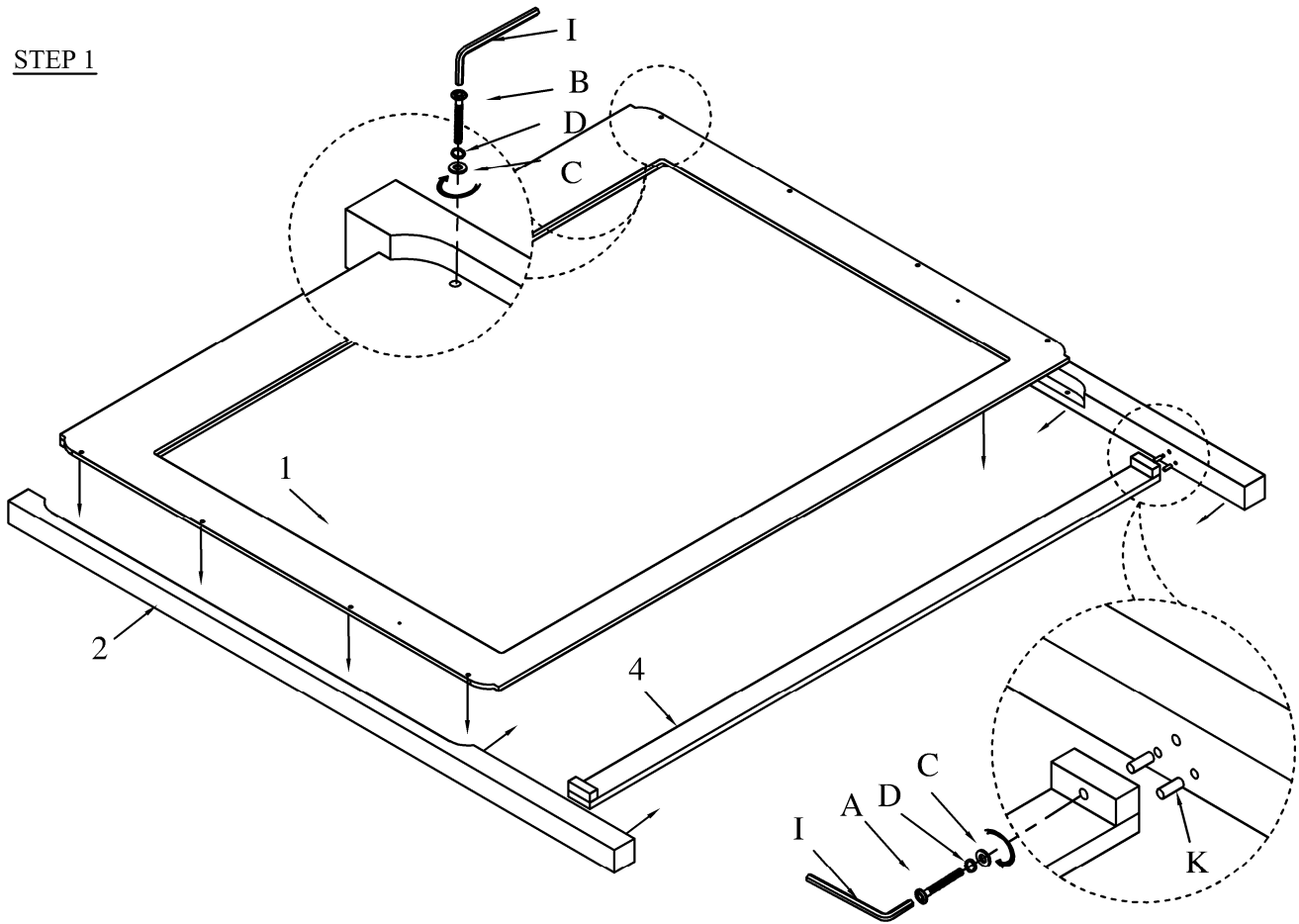
Box 1	<div style="border: 1px solid black; padding: 5px; display: inline-block;">1</div> 	<div style="border: 1px solid black; padding: 5px; display: inline-block;">4</div> 	<div style="border: 1px solid black; padding: 5px; display: inline-block;">5</div> 	
	Headboard panel 1pc	Support bar 1pc	Footboard panel 1pc	
Box 2	<div style="border: 1px solid black; padding: 5px; display: inline-block;">2</div> 	<div style="border: 1px solid black; padding: 5px; display: inline-block;">3</div> 	<div style="border: 1px solid black; padding: 5px; display: inline-block;">6</div> 	<div style="border: 1px solid black; padding: 5px; display: inline-block;">7</div> 
	Headboard Post 2pcs	Footboard Post 2pcs	Long canopy 2pcs	Short canopy 2pcs
	<div style="border: 1px solid black; padding: 5px; display: inline-block;">8</div> 	<div style="border: 1px solid black; padding: 5px; display: inline-block;">9</div> 	<div style="border: 1px solid black; padding: 5px; display: inline-block;">10</div> 	
	Side rails 2 pcs	Slats 4 pcs	Support legs 8 pcs	

HARDWARE & ILLUSTRATION

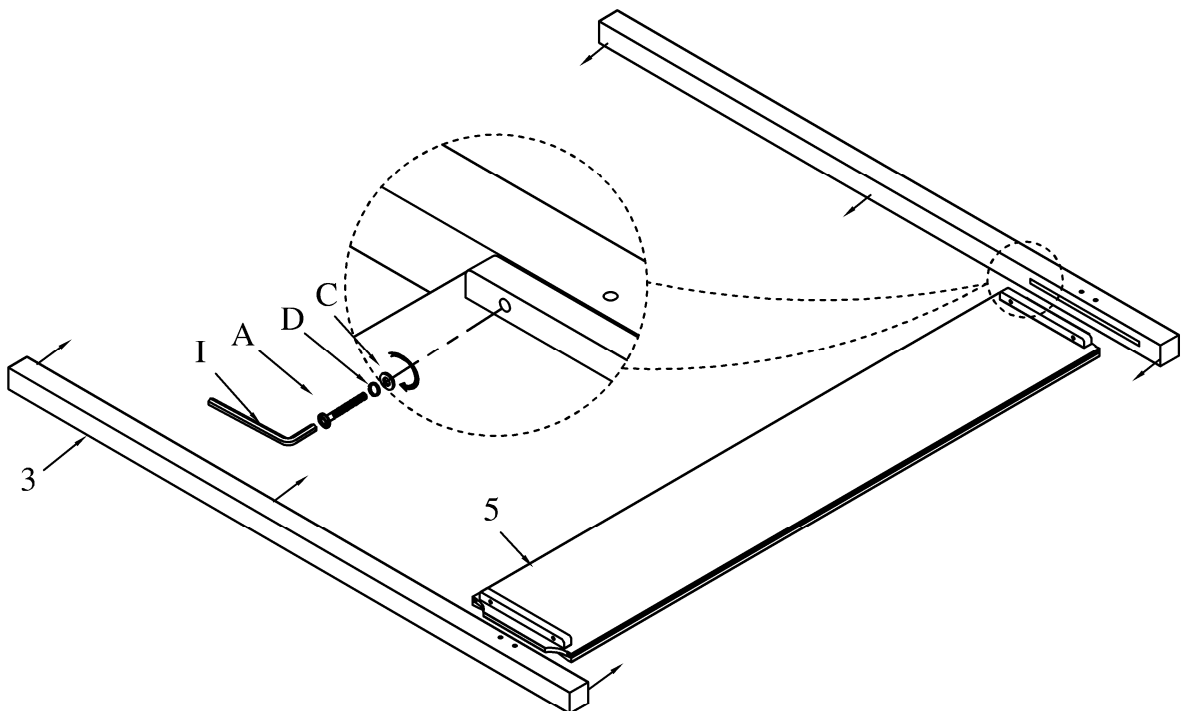
<div style="border: 1px solid black; padding: 5px; display: inline-block;">A</div>  <p style="text-align: center;">Ø1/4" x L44 mm Allen Head bolts 14 pcs</p>	<div style="border: 1px solid black; padding: 5px; display: inline-block;">B</div>  <p style="text-align: center;">Ø1/4" x L35 mm Allen Head bolts 8 pcs</p>	<div style="border: 1px solid black; padding: 5px; display: inline-block;">C</div>  <p style="text-align: center;">Ø1/4" Flat Washer 14 pcs</p>	<div style="border: 1px solid black; padding: 5px; display: inline-block;">D</div>  <p style="text-align: center;">Ø1/4" Lock Washer 14 pcs</p>
<div style="border: 1px solid black; padding: 5px; display: inline-block;">E</div>  <p style="text-align: center;">Ø5/16" x L20 mm Allen Head bolts 8pcs</p>	<div style="border: 1px solid black; padding: 5px; display: inline-block;">F</div>  <p style="text-align: center;">Ø5/16" Flat Washer 8 pcs</p>	<div style="border: 1px solid black; padding: 5px; display: inline-block;">G</div>  <p style="text-align: center;">Ø5/16" Lock Washer 8 pcs</p>	<div style="border: 1px solid black; padding: 5px; display: inline-block;">H</div>  <p style="text-align: center;">Ø4 x L30 mm Screws 8 pcs</p>
<div style="border: 1px solid black; padding: 5px; display: inline-block;">I</div>  <p style="text-align: center;">Allen Key 1 pc</p>	<div style="border: 1px solid black; padding: 5px; display: inline-block;">K</div>  <p style="text-align: center;">Ø8 x 30 mm Wood dowel 4 pcs</p>	<div style="border: 1px solid black; padding: 5px; display: inline-block;">L</div>  <p style="text-align: center;">Ø1/4" x 65mm Hex-Head bolts 8 pcs</p>	<div style="border: 1px solid black; padding: 5px; display: inline-block;">M</div>  <p style="text-align: center;">Ø1/4" x 10mm Horizontal-Hole bolts 8 pcs</p>

ASSEMBLY INSTRUCTION KING BED

STEP 1

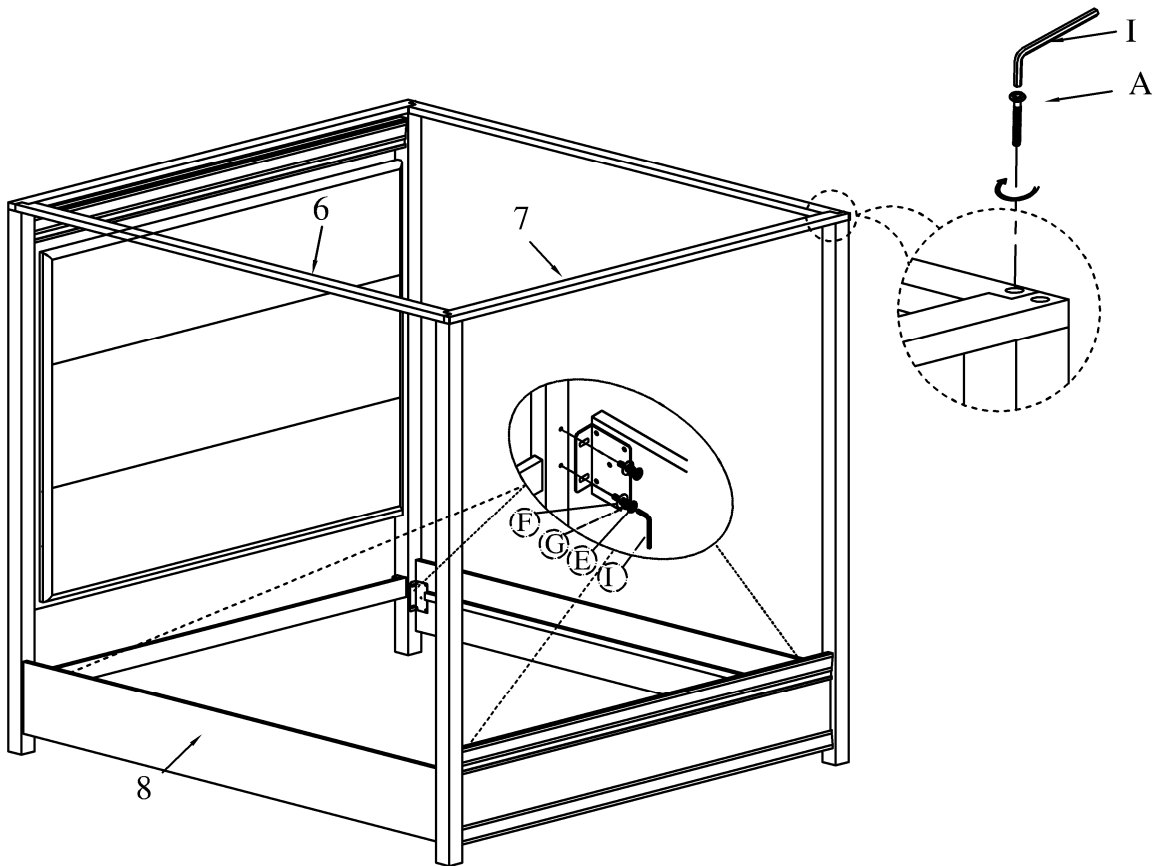


STEP 2

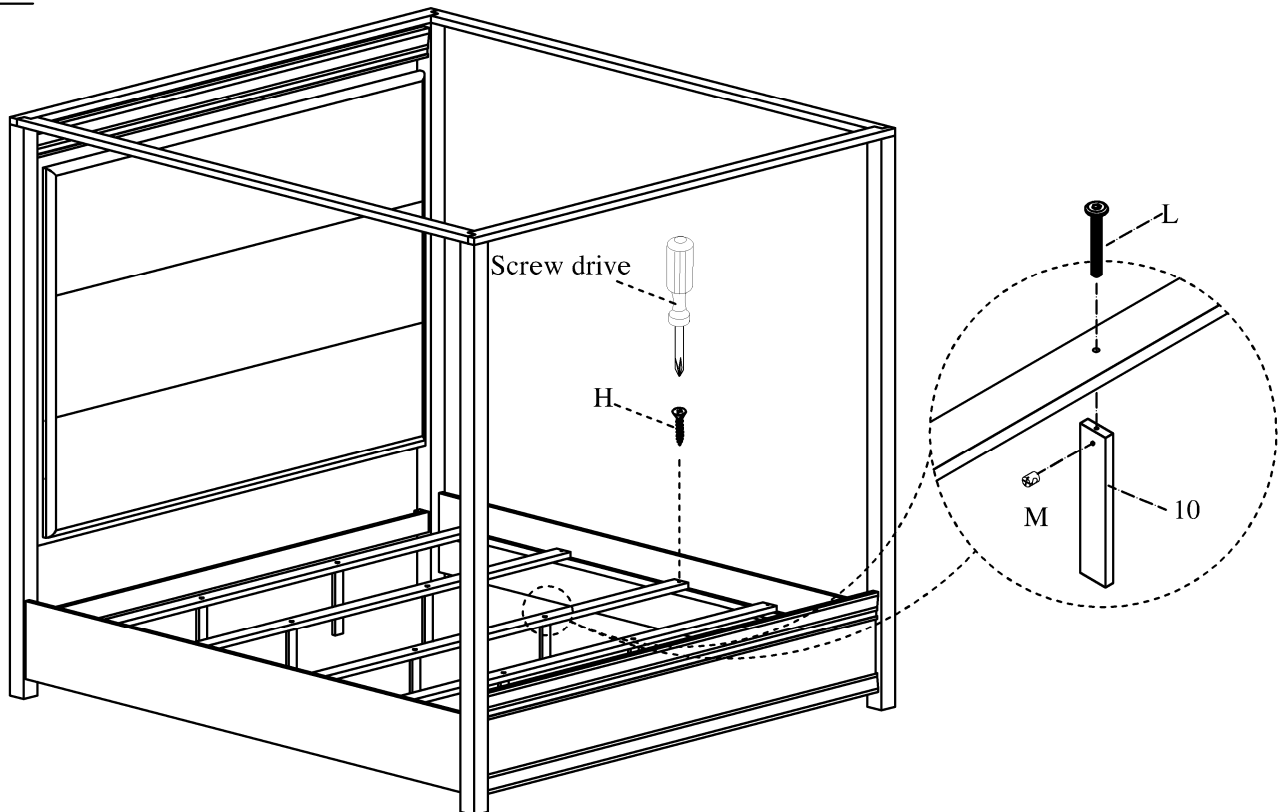


ASSEMBLY INSTRUCTION KING BED

STEP 3



STEP 4



ASSEMBLY IS NOW COMPLETE AND THANKS FOR YOUR PURCHASE

Made in Viet Nam