

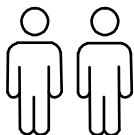
# ASSEMBLY INSTRUCTIONS

## bed - king

**+ Do Not Use Power Tools**



**+ Suggested Adults**



**NOTE:**

- 1 Read instructions cover to cover.
- 2 Save all packaging until assembly is completed.

**1 IMPORTANT SAFETY INFORMATION**

Do not assemble the product if any of the following parts arrived damaged:

- Part # ③ -Side Rails
- Part # ⑤ -Center Support Bar
- Part # ⑥ -Support Legs
- Part # ⑦ -Slats

**2 IMPORTANT ASSEMBLY INFORMATION**

**Assembly Step ③** Ensure the side rail bracket is fully hooked onto bolt A loosely threaded with both washers on the **OUTSIDE** of the bracket first, then proceed to fully tightening all 4 corners.

**Assembly Step ⑨** When installing slats, ensure that the curve is facing upwards. (↖) (↘)

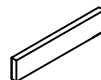
\*Slats come packed in the bottom of headboard carton.

**+ Parts Included**

① Head Board (1pc)



② Foot Board (1pc)



③ Side Rails (2pcs)



④ Double Plastic cap (30pcs)



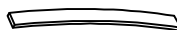
⑤ Center Support Bar (2pcs)



⑥ Support Legs (4pcs)



⑦ Slats (45pcs)



⑧ Single Plastic cap (30pcs)



⑨ - Metal bar (2pcs)

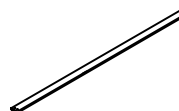


⑩ - Metal bar (2pcs)



\*Slats come packed in the bottom of headboard carton.

⑪ - Metal bar (2pcs)



⑫ - Metal bar (2pcs)



⑬ - Metal bar (1pc)



**+ Hardware Included**

A Bolt M8\*30mm (32pcs)



B Bolt M8\*20mm (20pcs)



C Nut M8\*13mm (18pcs)



D Spring Washer (10pcs)



E flat washer 10x20mm (52pcs)



F M8 Allen Key 1pc



G Spanner 1pc



H M8\*82mm 6pcs



I flat washer 10x25mm (10pcs)



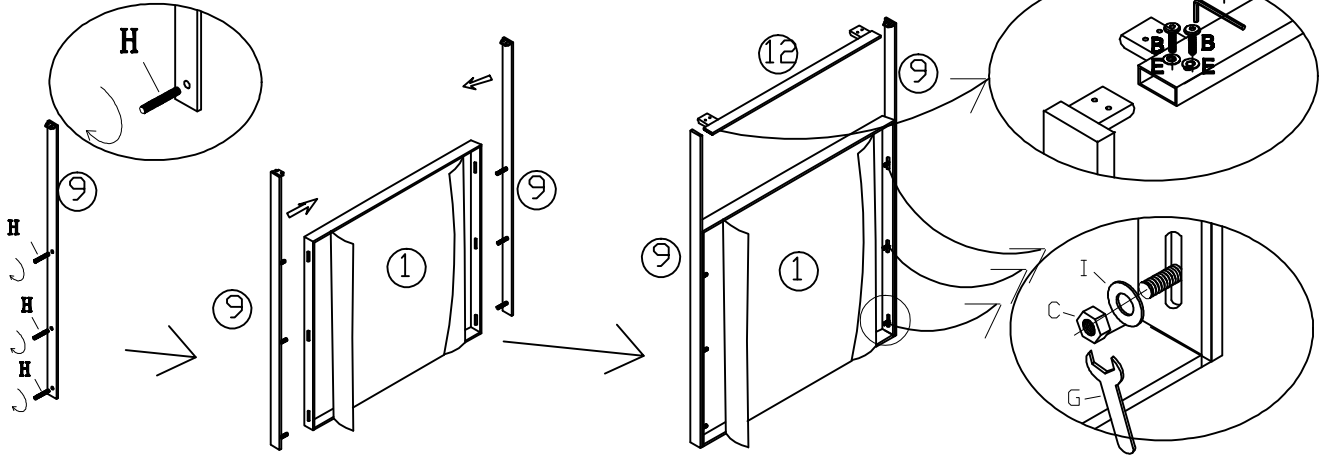
J M8\*125mm 4pcs



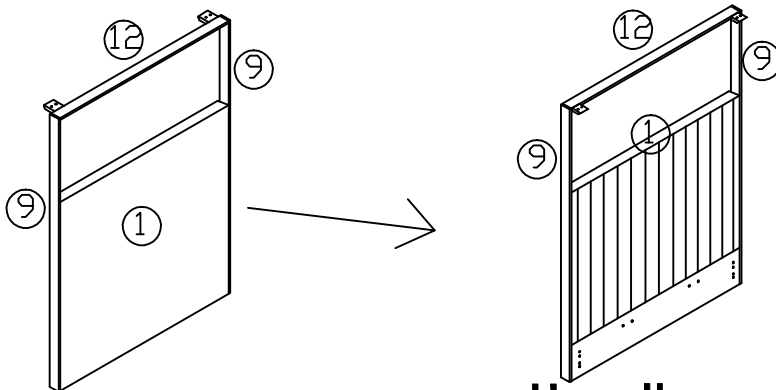
# ASSEMBLY INSTRUCTIONS

## bed - king

STEP 1:

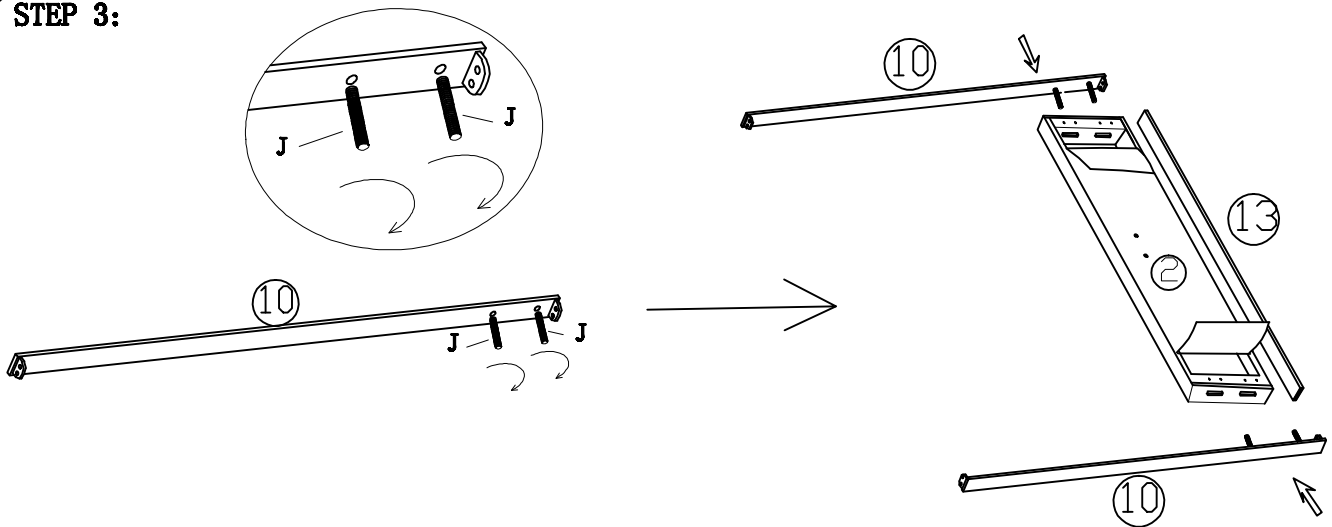


STEP 2:



Headboard is assembled

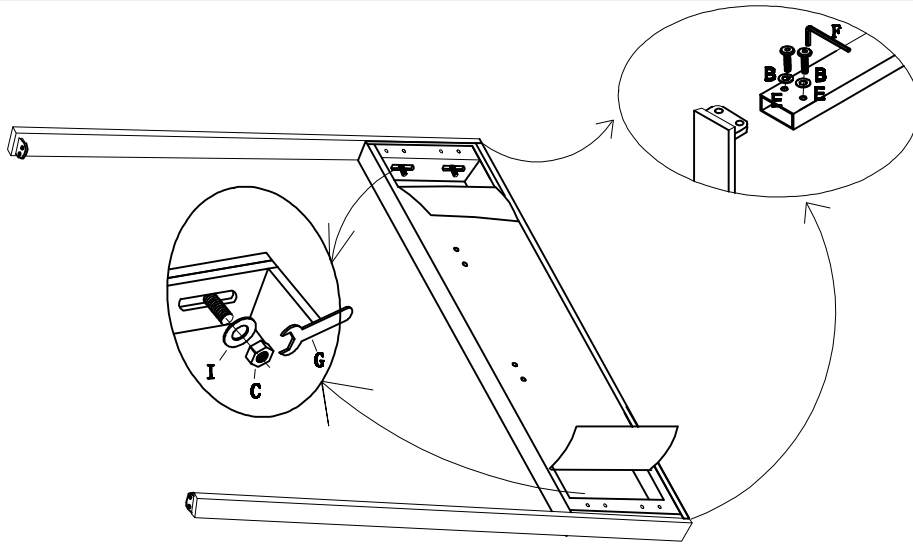
STEP 3:



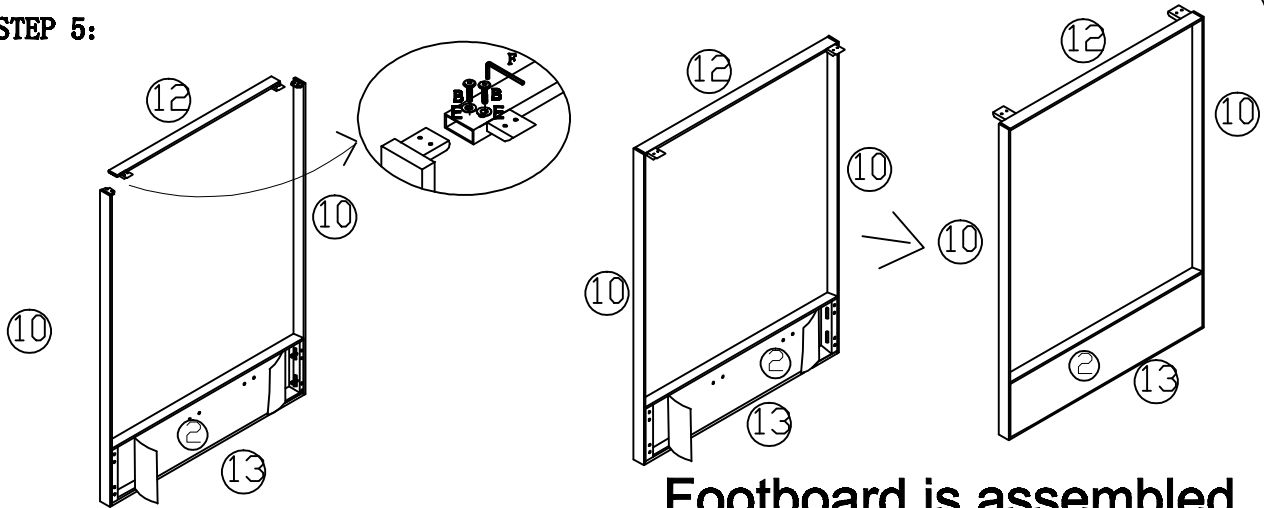
# ASSEMBLY INSTRUCTIONS

## bed - king

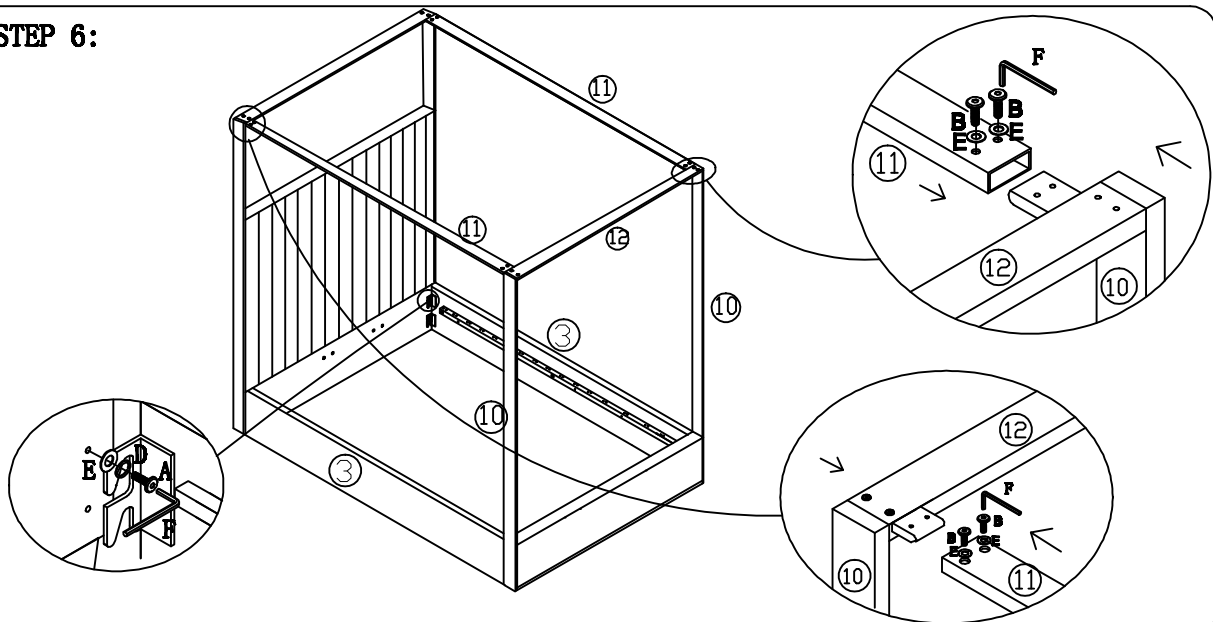
STEP 4:



STEP 5:



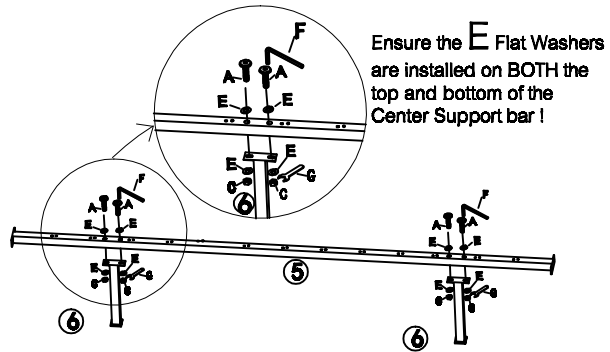
STEP 6:



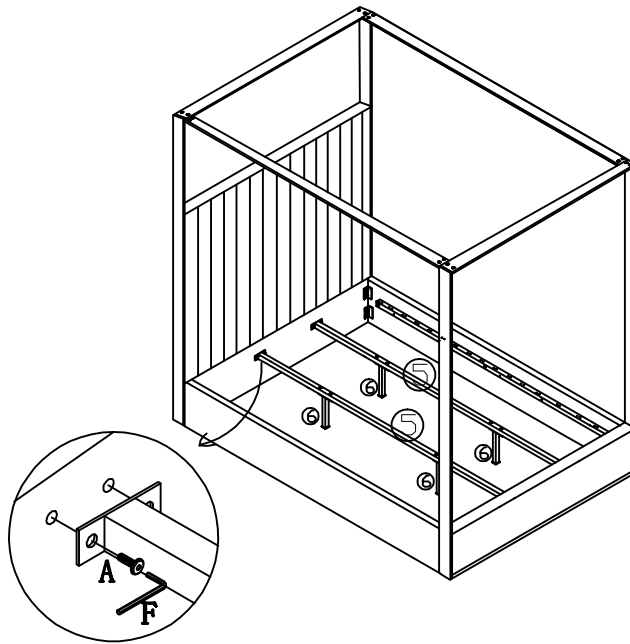
# ASSEMBLY INSTRUCTIONS

## bed - king

STEP 7:

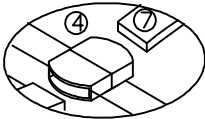
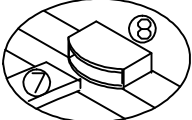


STEP 8:



STEP 9:

When installing slats, ensure that the curve is facing upwards. (✓) (✗)



packed in the bottom of headboard carton.

