

WARNING

WE RECOMMEND INSTALLATION OF THIS LIGHTING FIXTURE BE DONE BY A LICENSED ELECTRICIAN.
WARNING *** SWITCH OFF THE MAIN ELECTRICAL SUPPLY FROM THE MAIN FUSE BOX/CIRCUIT BREAKER BEFORE INSTALLATION.

INSPECT ITEM CAREFULLY BEFORE ATTEMPTING TO INSTALL. IF THERE IS ANY DAMAGE OR OBVIOUS DEFECT, DO NOT INSTALL. ITEM MAY NOT BE RETURNED ONCE IT HAS BEEN INSTALLED.

CARE AND MAINTENANCE




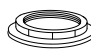

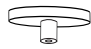
Unplug lamps before using any cleaning solutions. Dust shades with a feather duster or with an appropriate vacuum-brush attachment. Wipe with a soft, dry cloth and clean lamp bases with the methods appropriate to the material. Avoid the use of chemicals and household cleaners as they may damage the finish.

NOTICE& IMPORTANT SAFETY INSTRUCTIONS

- * Please make sure that you have all parts indicated before you begin assembly of this item
- * This item should be assembled on a soft surface to prevent scratching the finish during assembly
- * To reduce the risk of fire, electrical shock or injury to persons or property, please follow the guideline below for safe use and installation
- *The external flexible cable or cord of this luminaire cannot be replaced;
If the cord is damaged, the luminaire shall be destroyed

**This portable lamp has a polarized plug (one blade is wider than the other) as a safety feature to reduce the risk of electric shock. this plug will fit in a polarized outlet only one way. if the plug does not fit fully in the outlet, reverse the plug, if it still does not fit, contact a qualified electrician. Never use with an extension cord unless the plug can be fully inserted. do not attempt to defeat this safety feature.

Part List and Hardware List

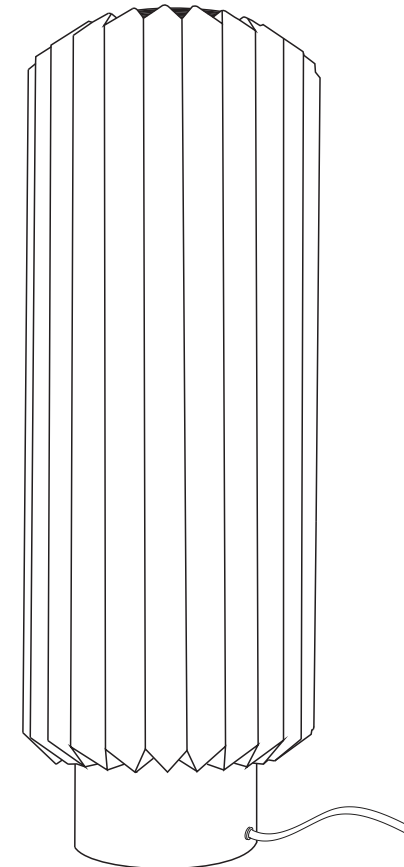
PIECE	DESCRIPTION	PICTURE	PIECE	PIECE	DESCRIPTION	PICTURE	QUANTITY
A	Paper Shade		1X	C	Lamp Base		1X
B	Harp		1X	D	Shade Ring		1X
C	Light Bulb		1X	E	Finial		1X

JY

JONATHAN Y

Model# JYL9105

Product Dimensions: 5.71L x5.71Wx15.75H



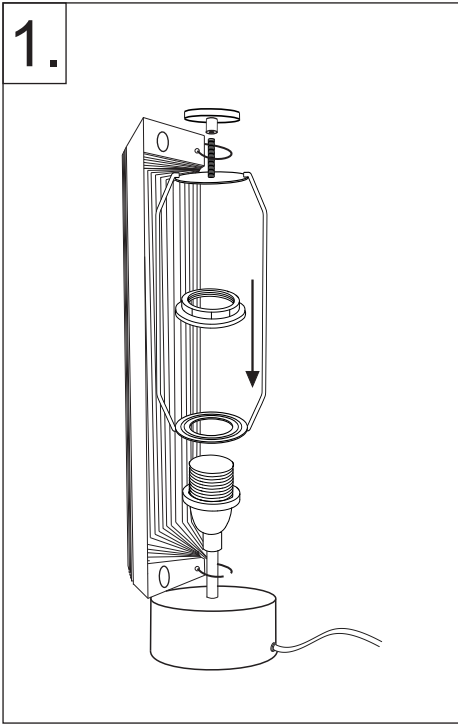
PREPARATION

Before beginning assembly of product, make sure all parts are present. Compare parts with package contents list and hardware contents list. If any part is missing or damaged, do not attempt to assemble the product.

Estimated Assembly Time: 6 minutes.

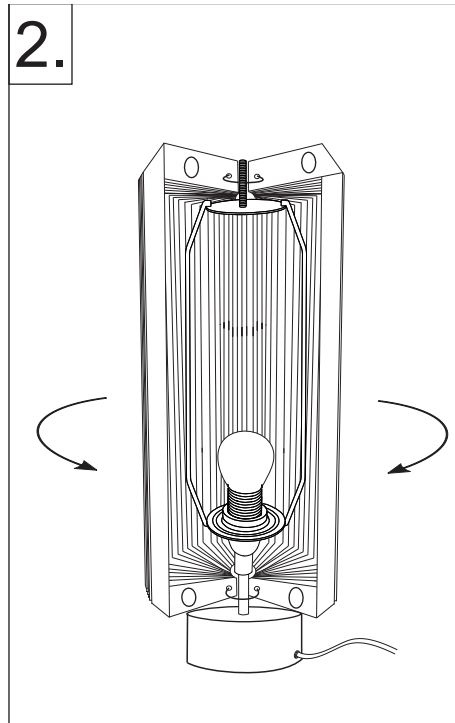
If there are any questions relating to defects, missing parts, assembly issues, replacements, or device connectivity issues, please send a detailed email to cs@jonathany.com

A E26 LED 4W G45 BULB IS INCLUDED IN THE BOX



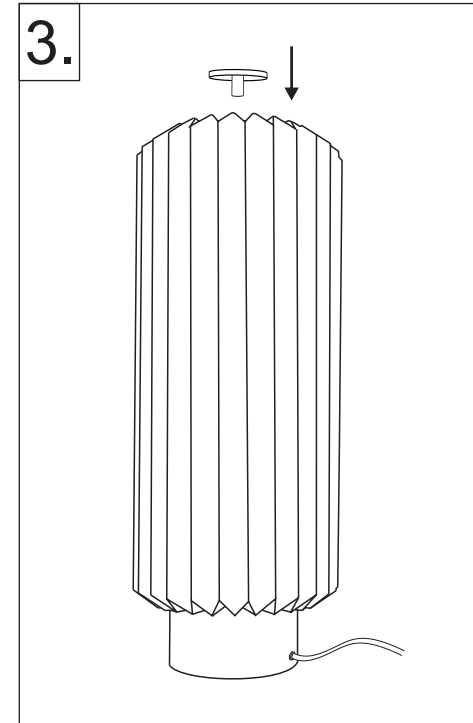
Step 1

Place Harp (B) on lamp holder and tighten shade ring (D). Gently open bottom ring of the shade and close the ring keeping metal pipe inside .



Step2

Carefully fix the bulb Bring both edges of lampshade with magnets to close the shade in shape. Please overlap the flaps with magnets to avoid open space and to keep magnets hidden.



Step3

Tighten the finial on harp stud. Your Lamp is now ready to lit up.

ENJOY YOUR LAMP