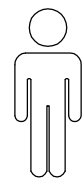
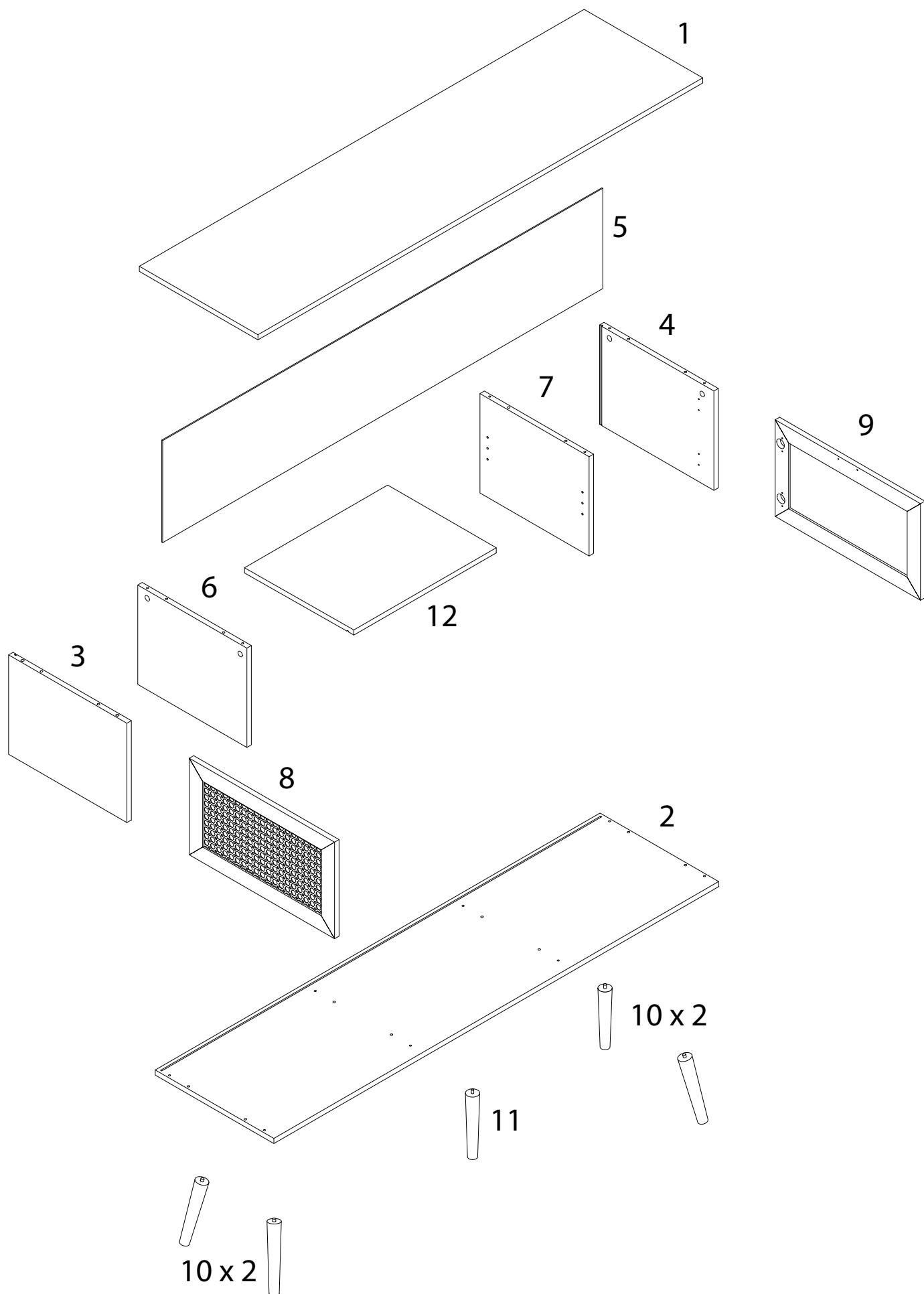


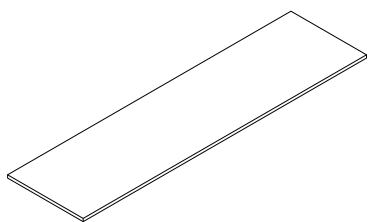
45'



2

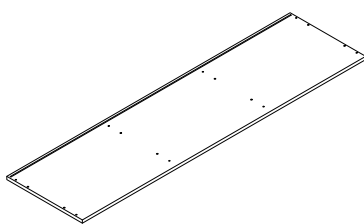


1



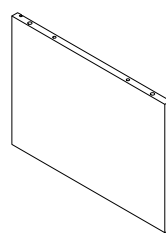
x 1

2



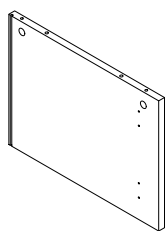
x 1

3



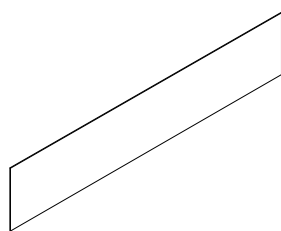
x 1

4



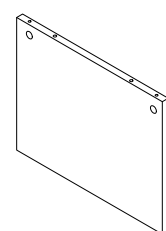
x 1

5



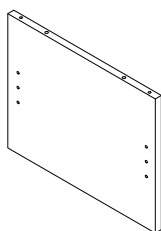
x 1

6



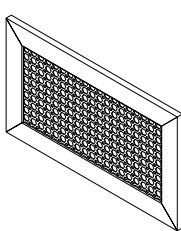
x 1

7



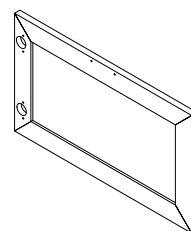
x 1

8



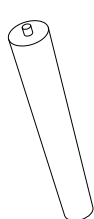
x 1

9



x 1

10



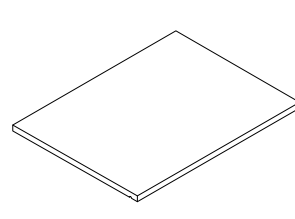
x 4

11



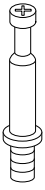
x 1

12



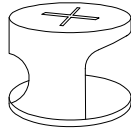
x 1

A



x 8

B



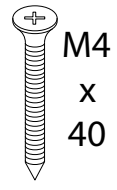
x 8

C



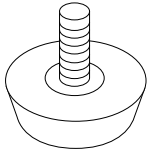
x 16

D



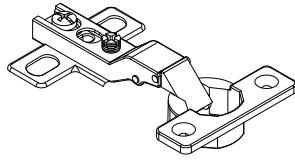
x 8

E



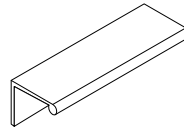
x 1

F



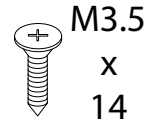
x 4

G



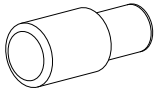
x 2

H



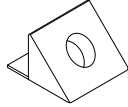
x 32

I



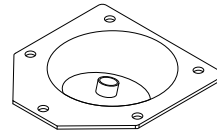
x 4

J



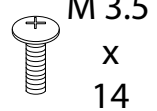
x 12

K



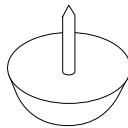
x 4

L



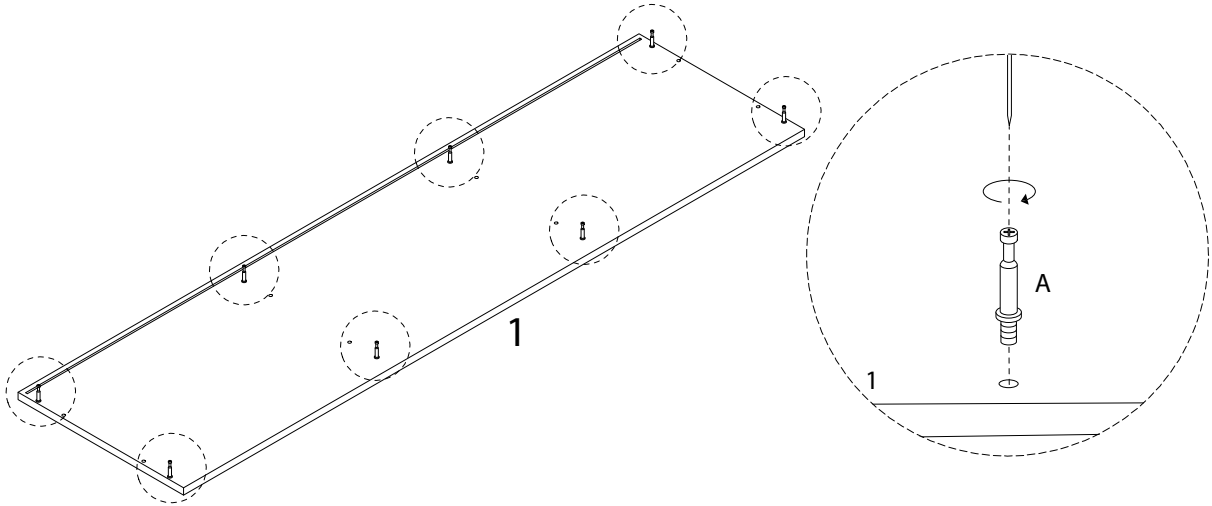
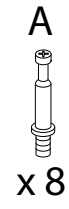
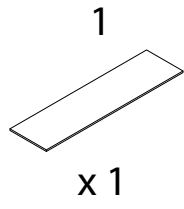
x 20

N

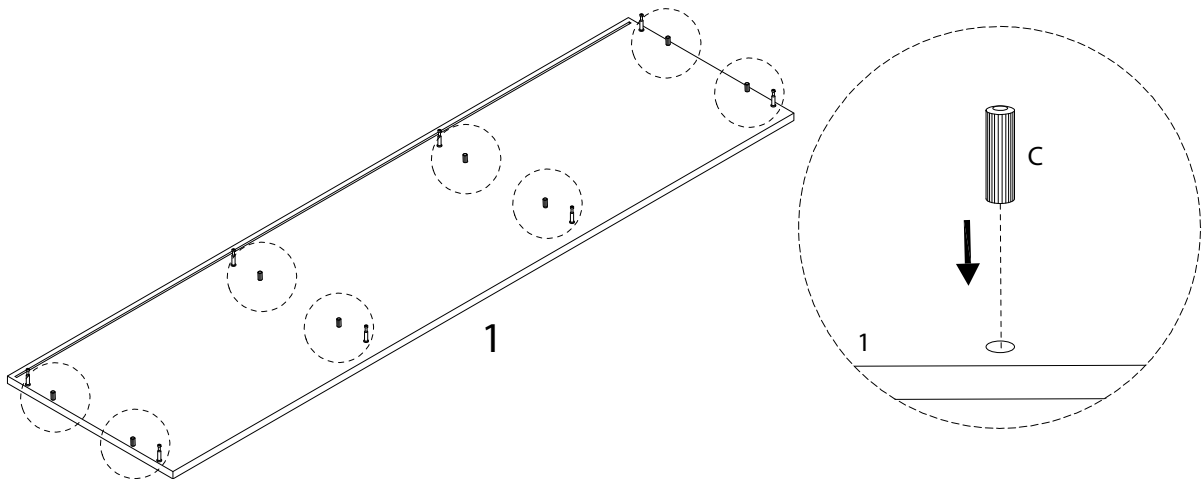
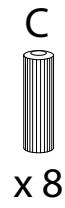


x 4

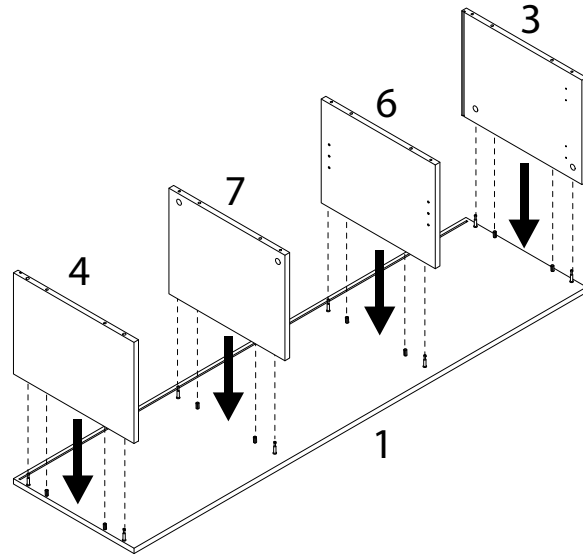
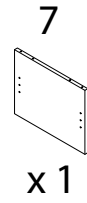
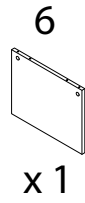
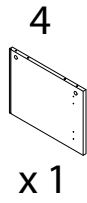
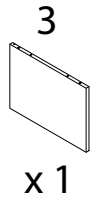
1



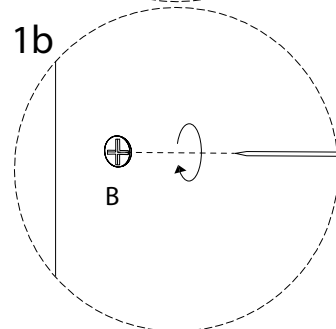
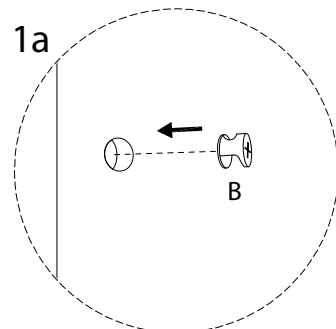
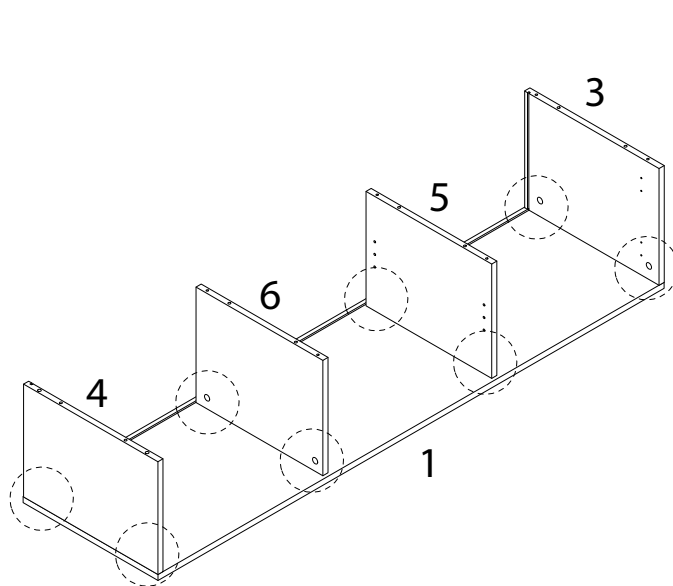
2



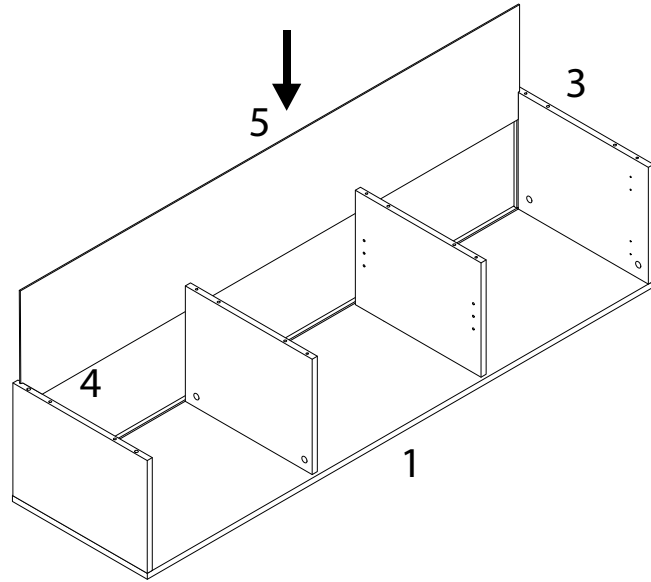
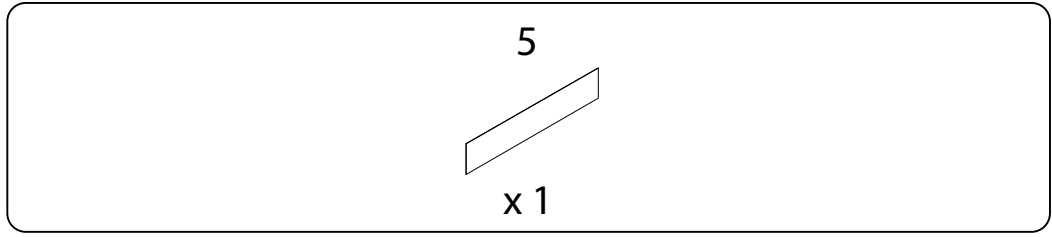
3



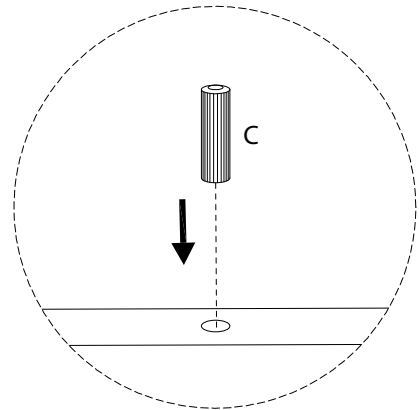
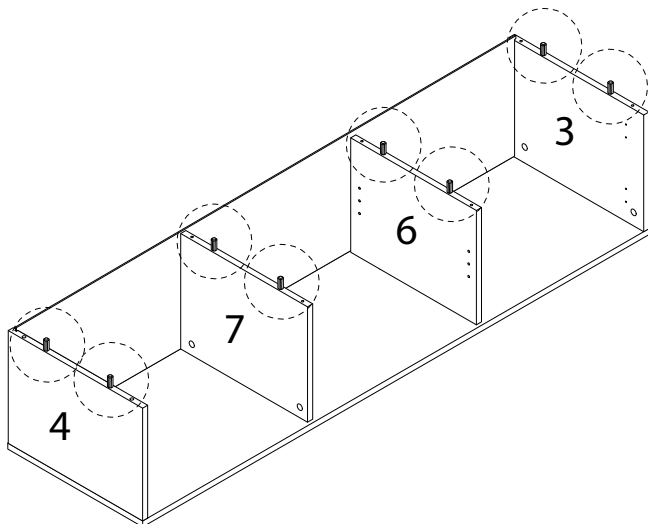
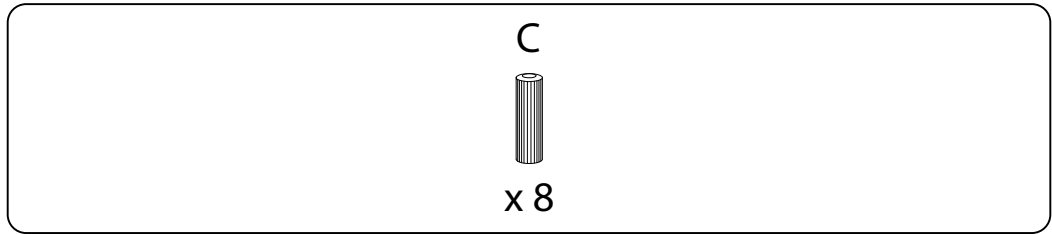
4



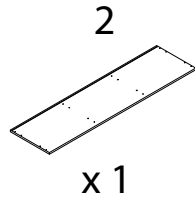
5



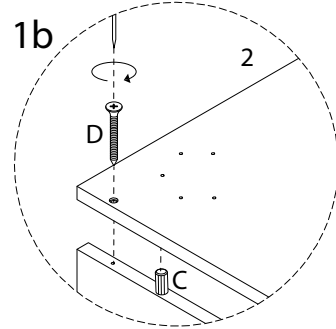
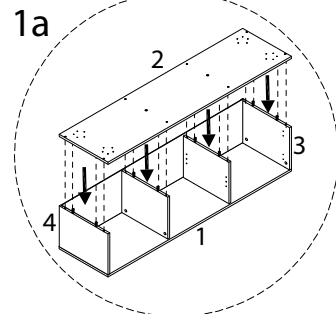
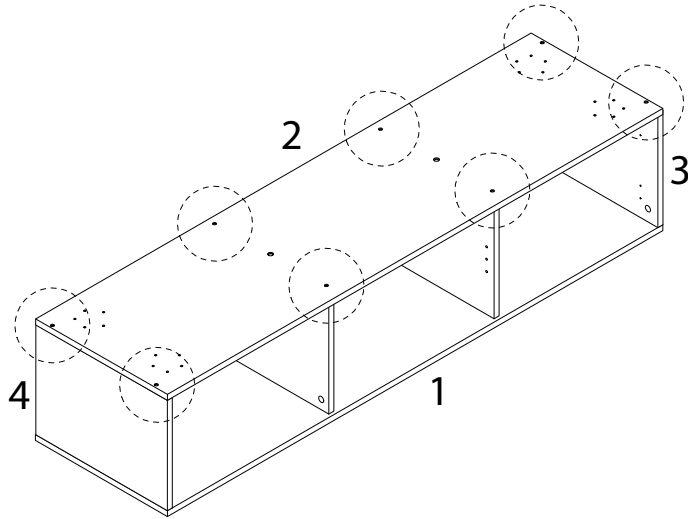
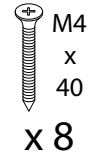
6



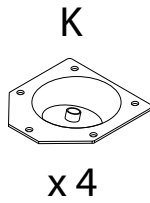
7



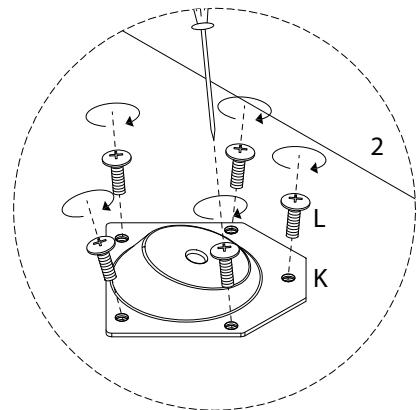
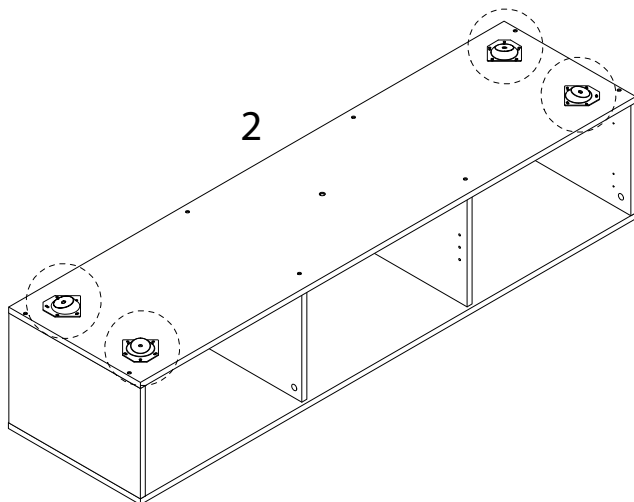
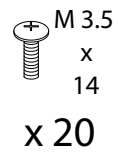
D



8



L



9

10

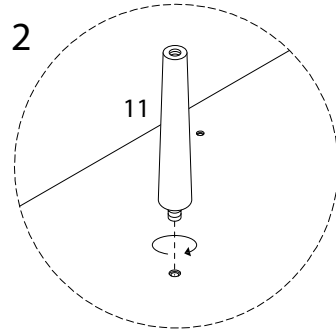
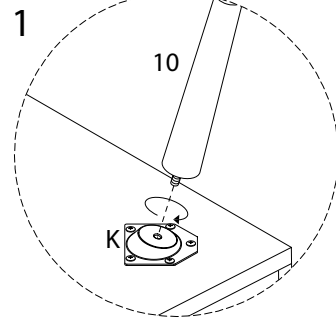
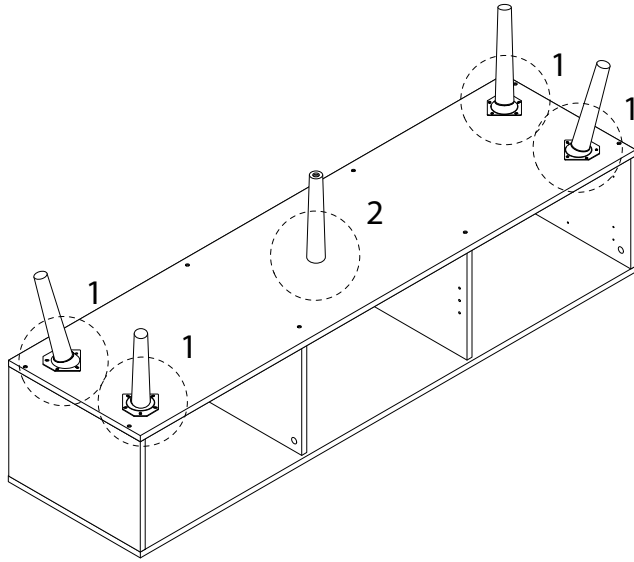


x 4

11

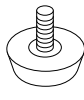


x 1



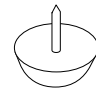
10

E

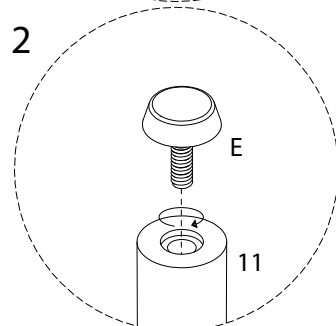
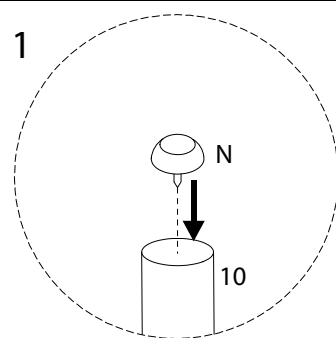
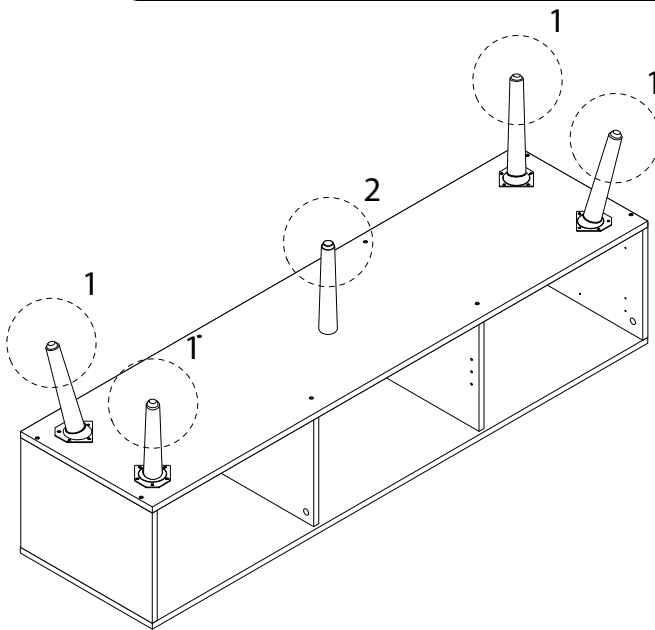


x 1

N



x 4

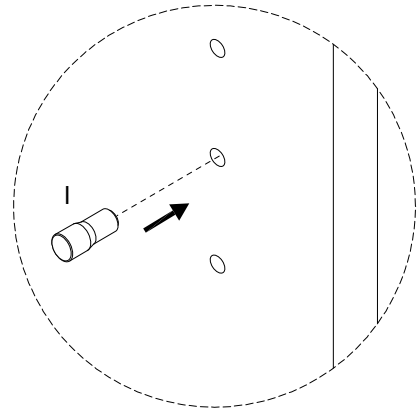
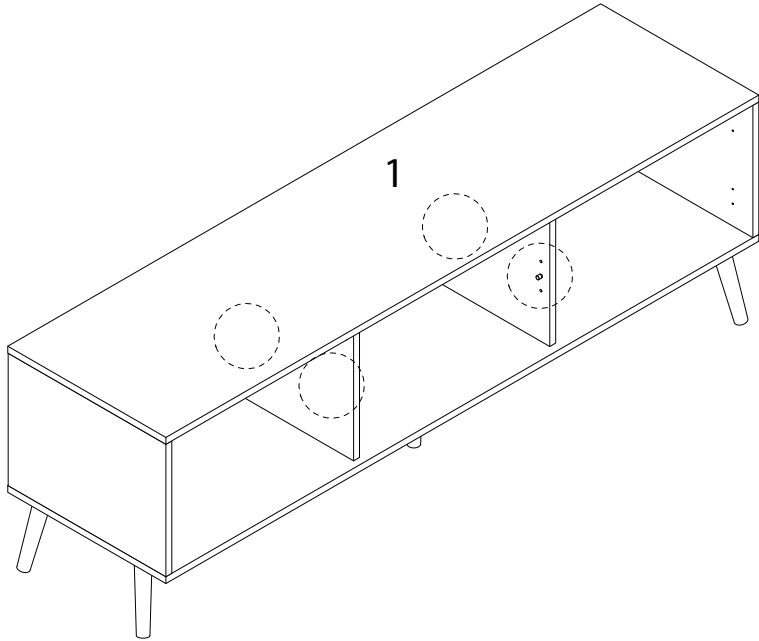


11

1

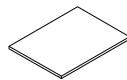


x 4

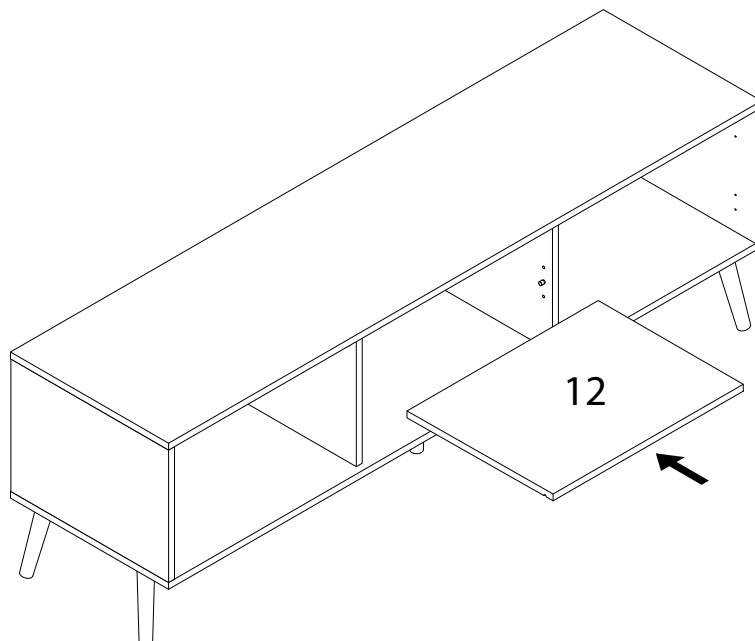


12

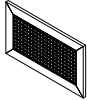
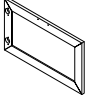
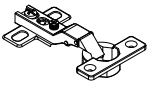

12

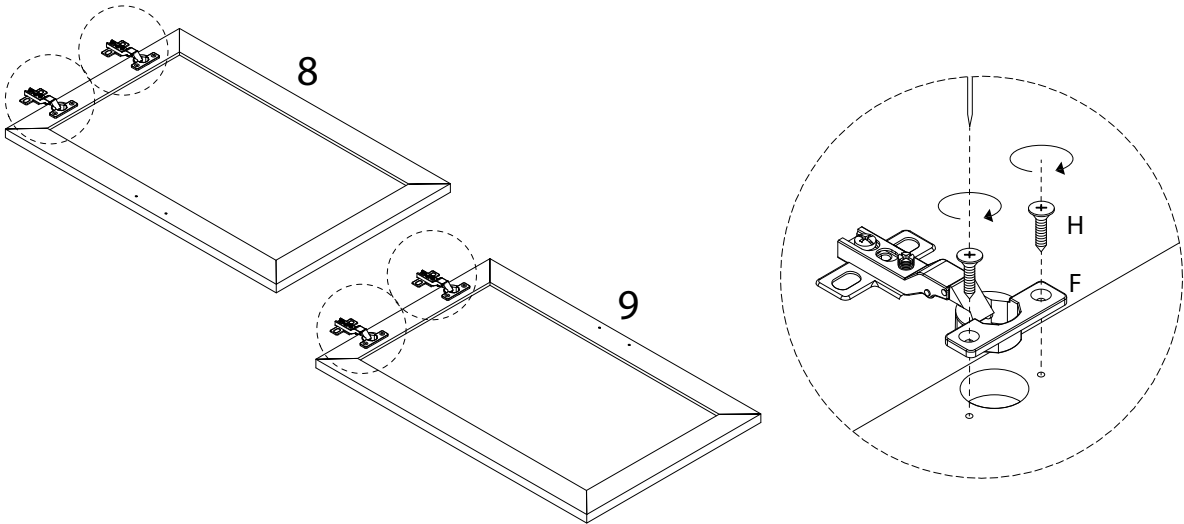


x 1

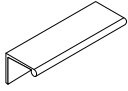
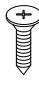


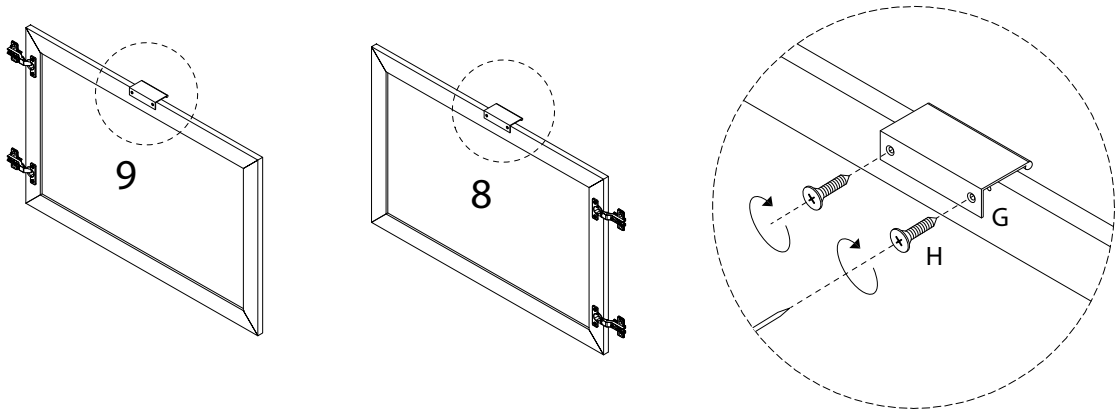
13

<p>8</p>  <p>x 1</p>	<p>9</p>  <p>x 1</p>	<p>F</p>  <p>x 4</p>	<p>H</p>  <p>M3.5 x 14</p> <p>x 8</p>
---	---	--	--



14

<p>G</p>  <p>x 2</p>	<p>H</p>  <p>M3.5 x 14</p> <p>x 4</p>
---	--

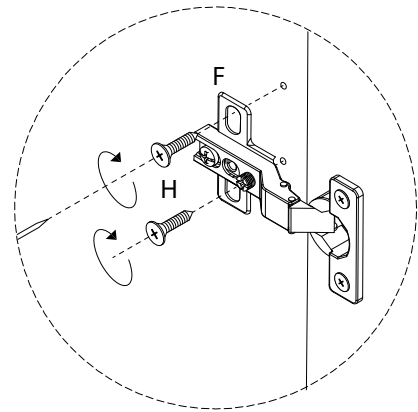
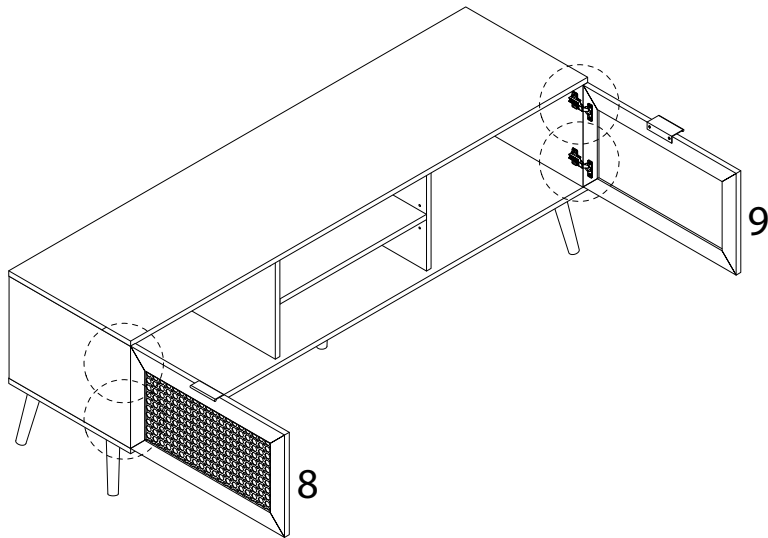


15

H



x 8



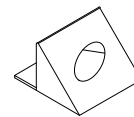
16

H

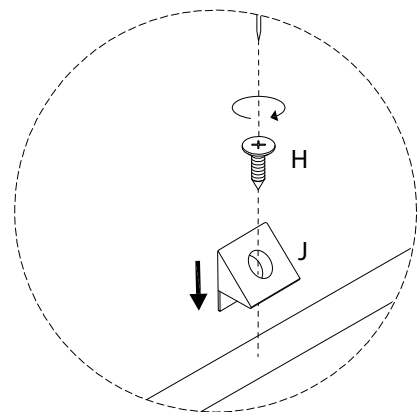
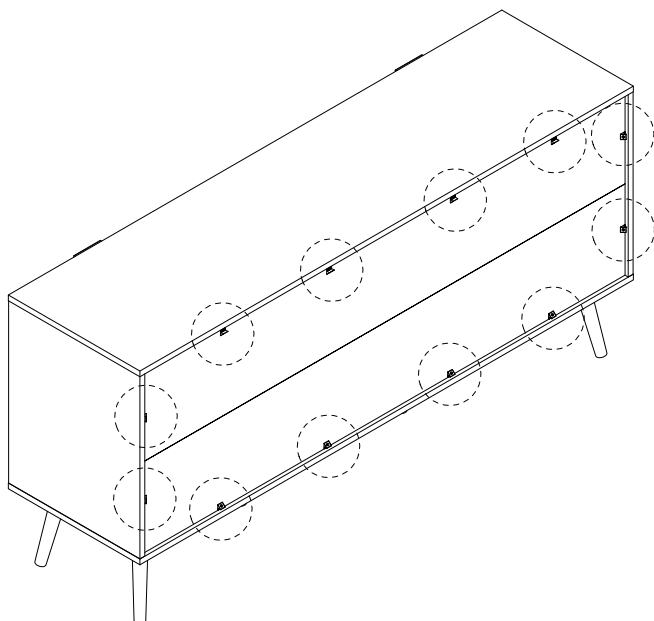


x 12

J



x 12



!

