


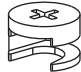






ASSEMBLY INSTRUCTIONS

PART LIST:


- ①- Table Top Panel (QTY: 1)
- ②- Left Side Panel (QTY: 1)
- ③- Right Side Panel (QTY: 1)
- ④- Back Panel (QTY: 1)
- ⑤- Bottom Panel (QTY: 1)
- ⑥- Front Panel Of Top Drawer (QTY: 1)
- ⑦- Front Panel Of Middle Drawer (QTY: 1)
- ⑧- Front Panel Of Bottom Drawer (QTY: 1)
- ⑨- Left Side Panel Of Drawer (QTY: 3)
- ⑩- Right Side Panel Of Drawer (QTY: 3)
- ⑪- Back Panel Of Small Drawer (QTY: 2)
- ⑫- Bottom Panel Of Drawer (QTY: 3)
- ⑬- Back Panel Of Large Drawer (QTY: 1)

HARDWARE LIST:

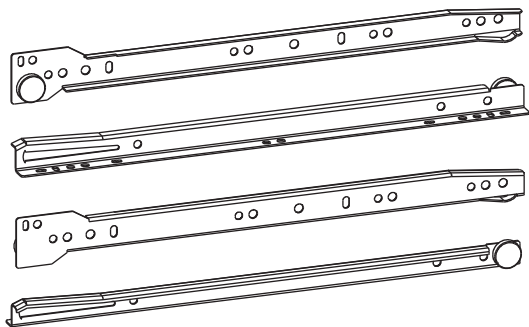
- A** x 32  3-in-1 Furniture Bolt Connection
- B** x 16  Wood Pin (∅8*40mm)
- C** x 42  Cross Countersunk Head Tapping Screws (ST4.2*14mm)
- D** x 32  3-in-1 Furniture Nut Connection
- E** x 4  Cross Countersunk Head Confirmat Screws (M5*48mm)
- F** x 2  1.5" Black Plastic Wheel
- G** x 2  1.5" Black Plastic Wheel With Lock


- H** x 3  Handle






- I** x 6  Cross head screw (M4*20mm)

- J** x 1  15" Black plastic training wheels

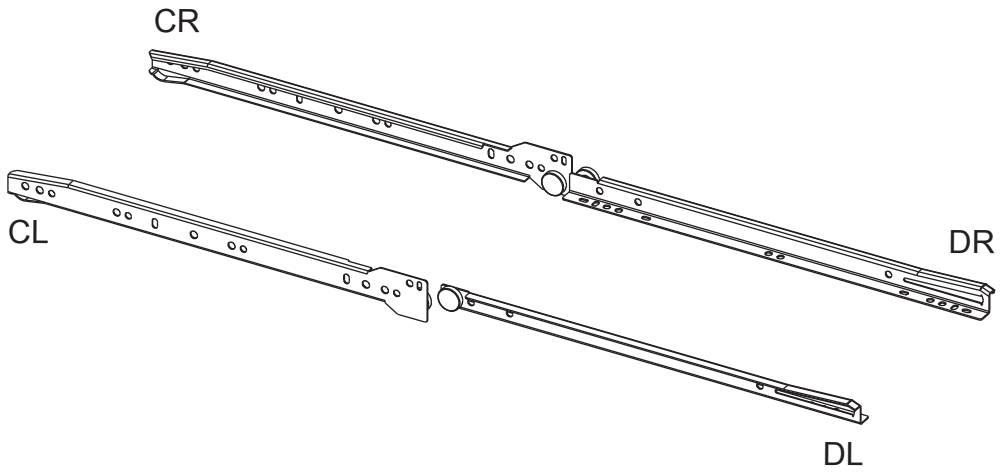
- K** x 2  Wire (∅5)

- L** x 3  14" Guide Rail
- CL**
- DL**
- CR**
- DR**

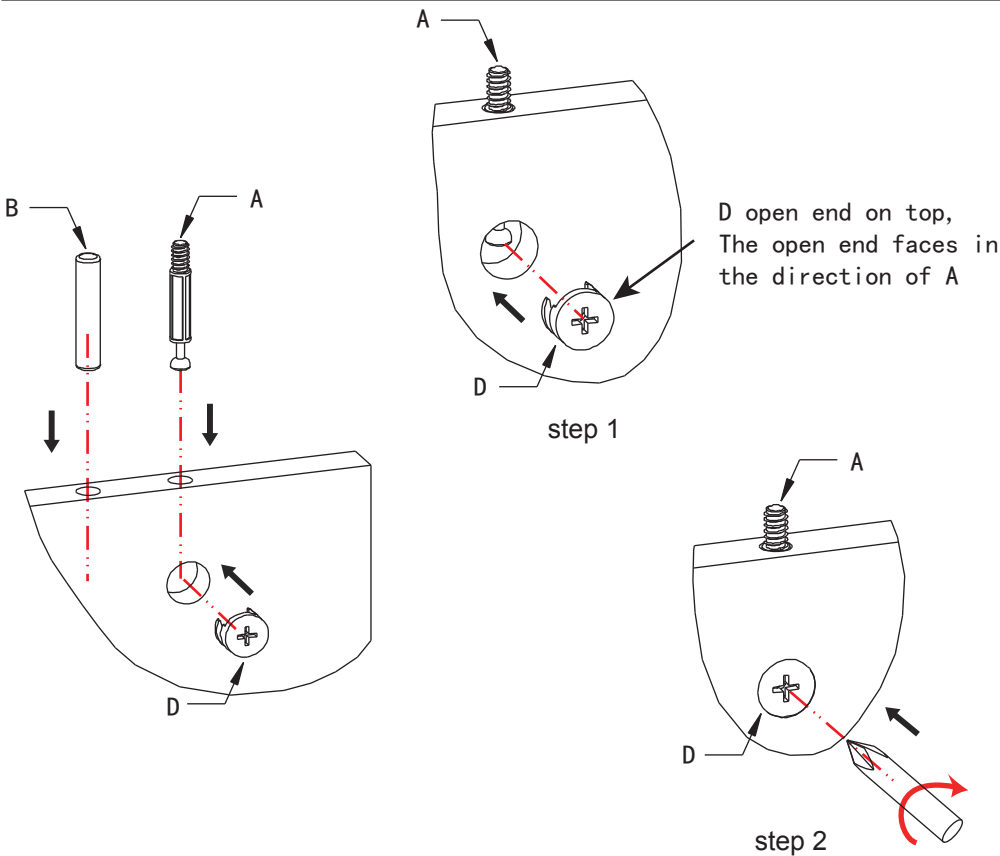
- M** x 12  Cover Up Sticker

- N** x 1  LOCK
- N1** 
- N2** 
- N3** 
- N4** 

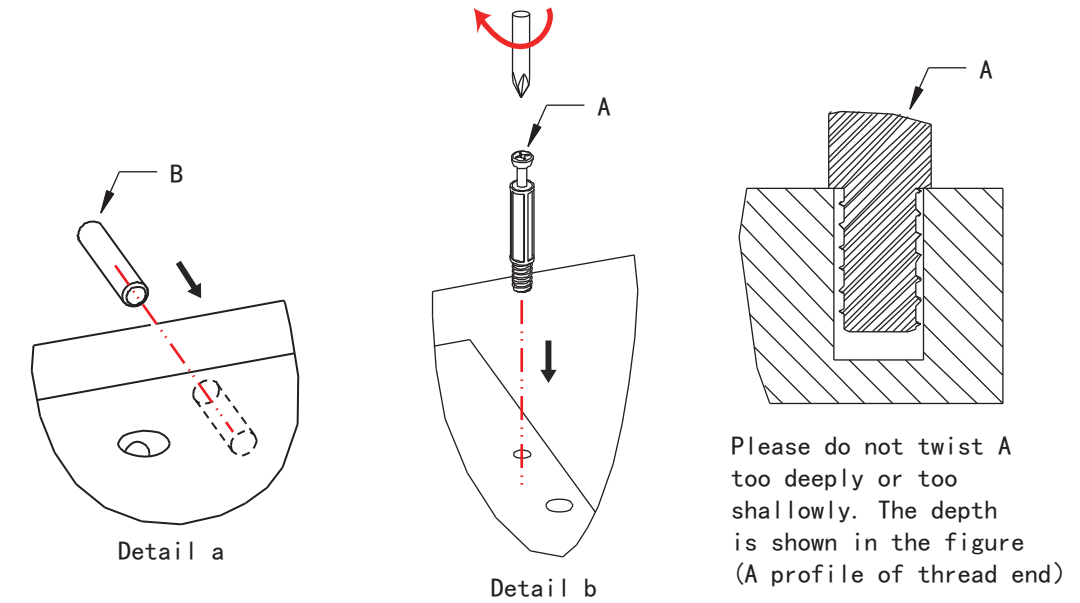
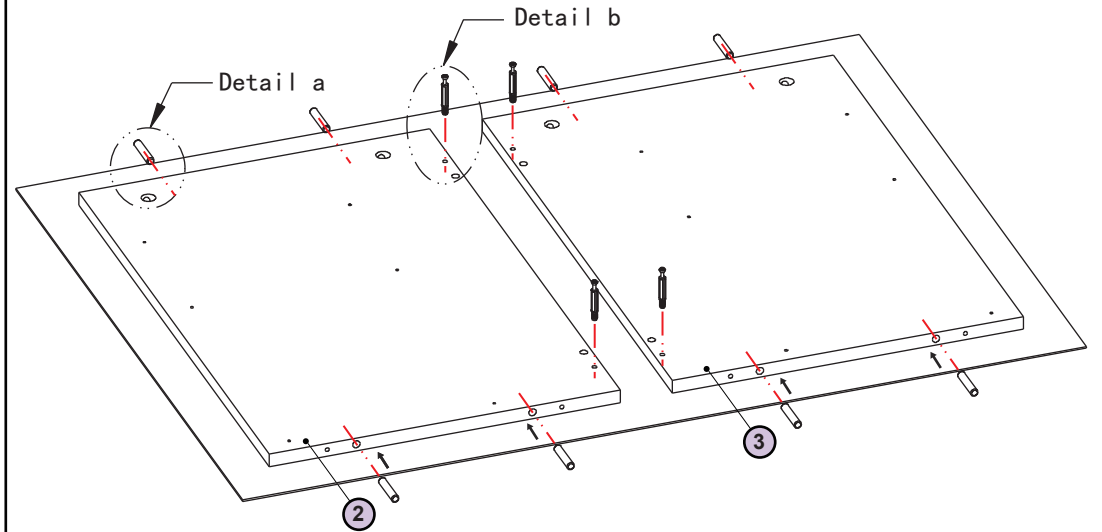
ASSEMBLY INSTRUCTIONS



Guide rail placement diagram



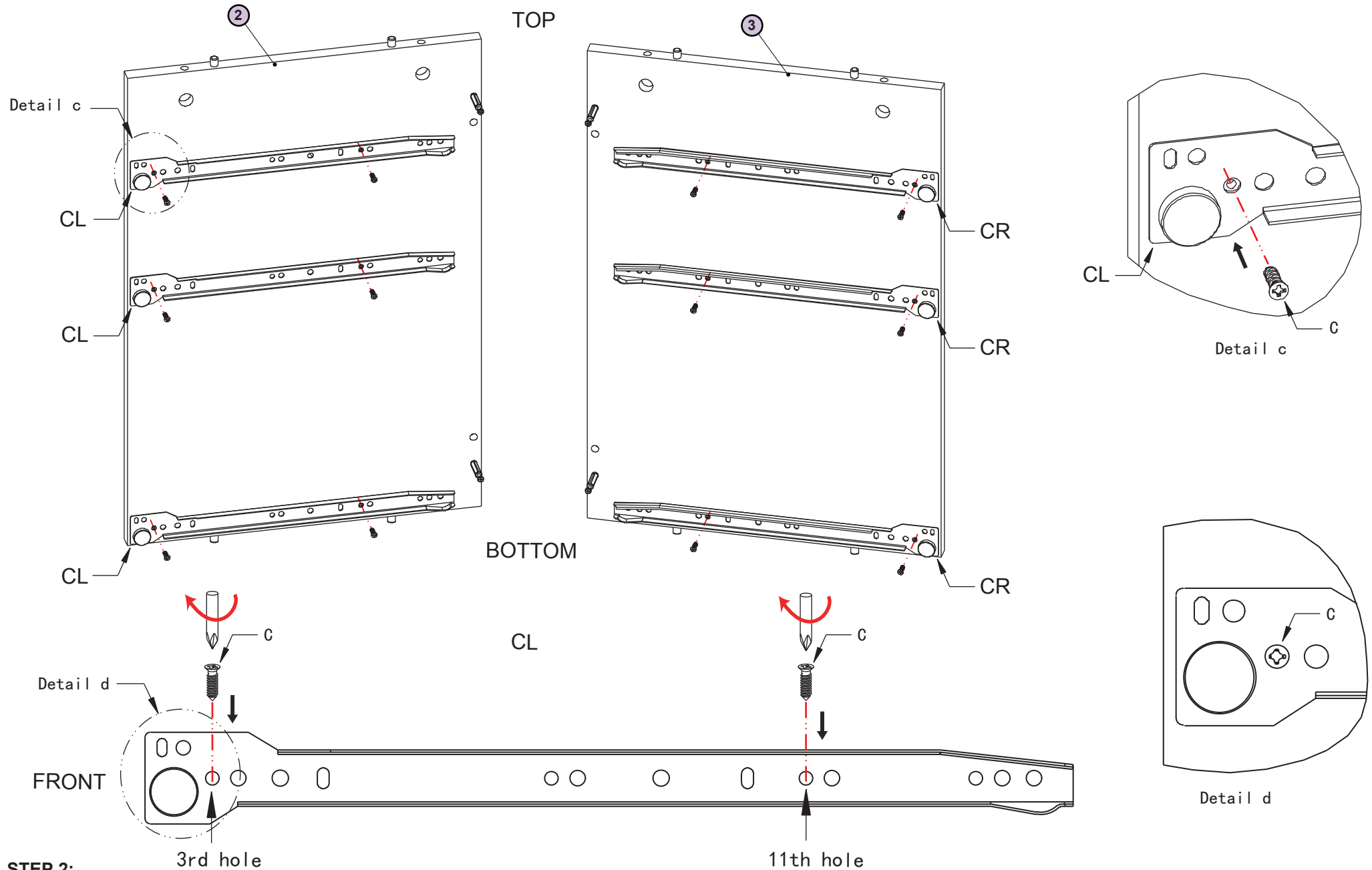
3-in-1 usage diagram



STEP 1:

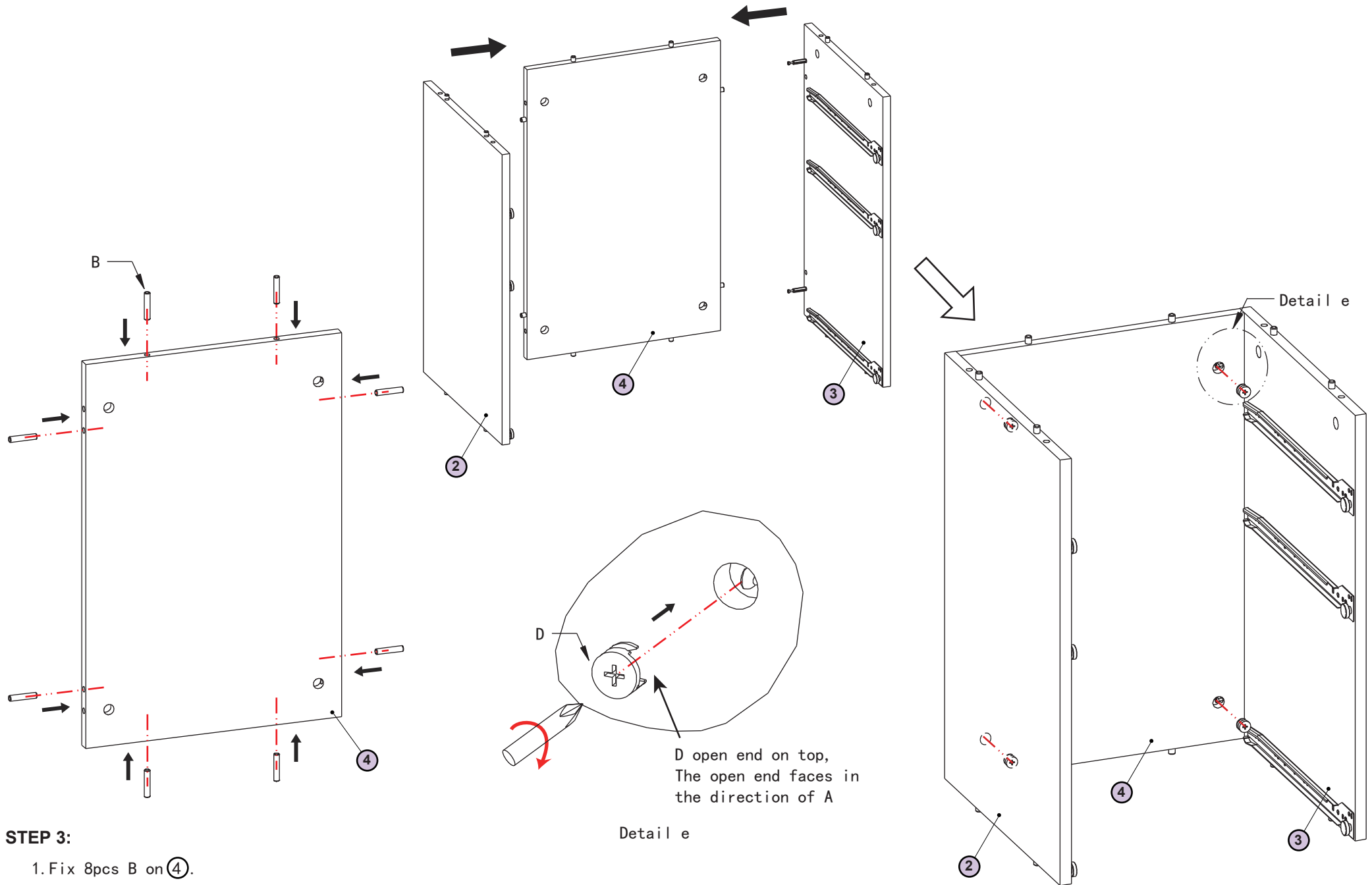
1. Put a blanket under the board to avoid scratch or damage.
2. Instal 8pcs B and 4pcs A into ②、③.

ASSEMBLY INSTRUCTIONS

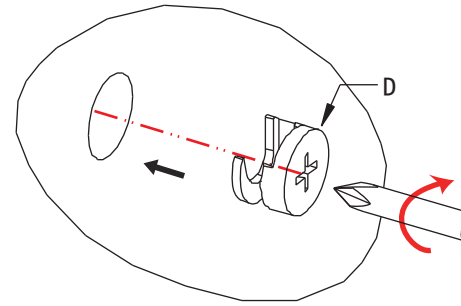
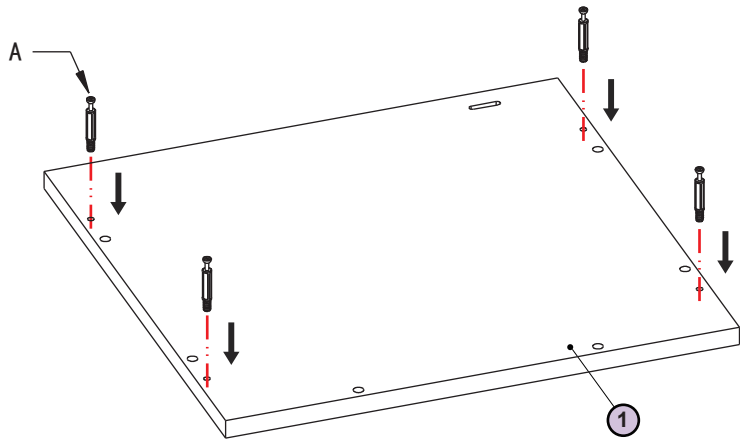


STEP 2: Fix 3CL and 3 CR in the corresponding holes on ② and ③ with 12pcs C (When installing, please make sure the screws are flattened, not crooked; Otherwise the drawers will not be installed perfectly).

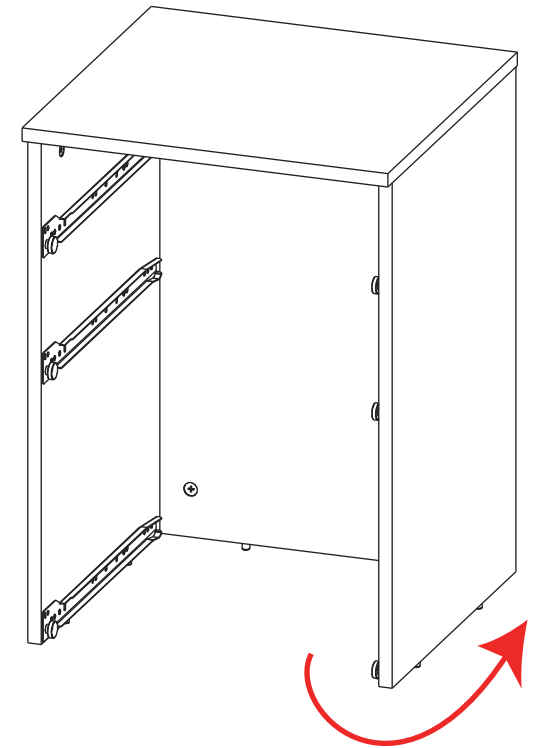
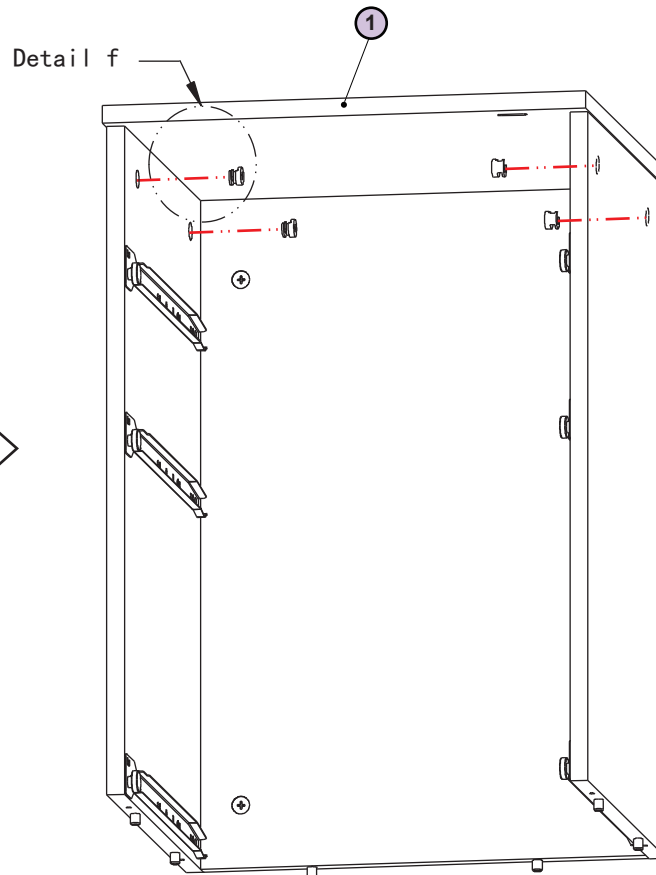
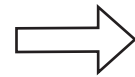
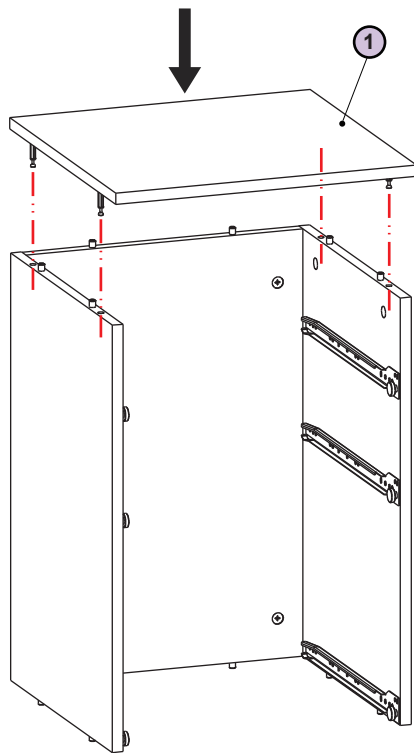
ASSEMBLY INSTRUCTIONS



ASSEMBLY INSTRUCTIONS



Detail f

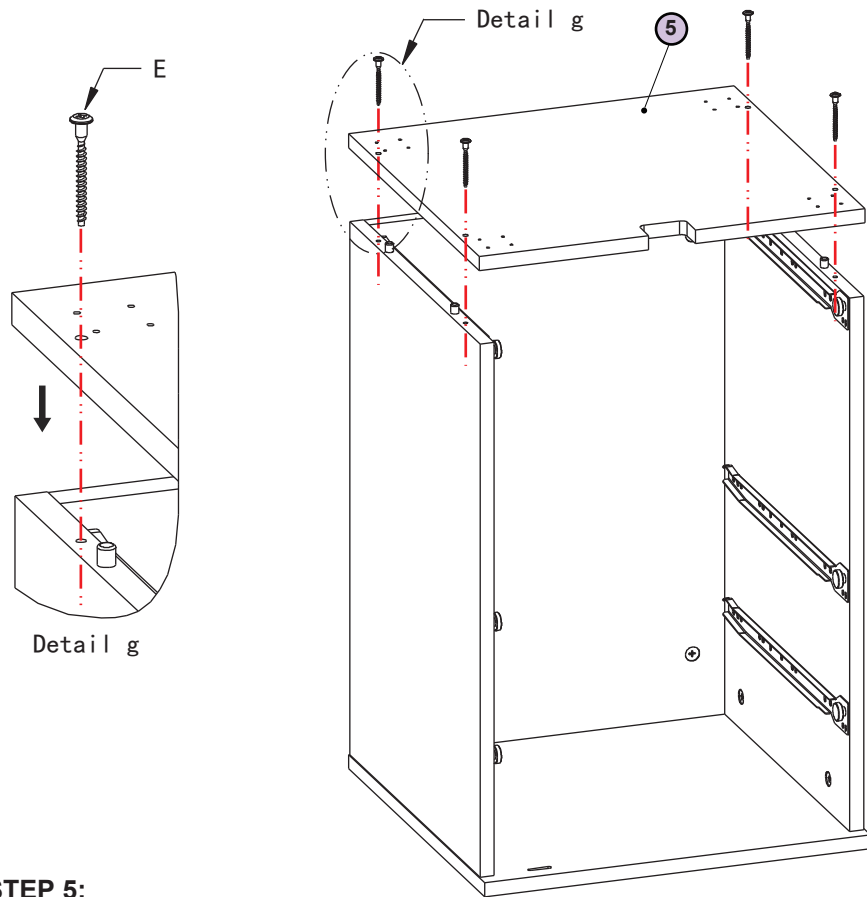


Flip frame

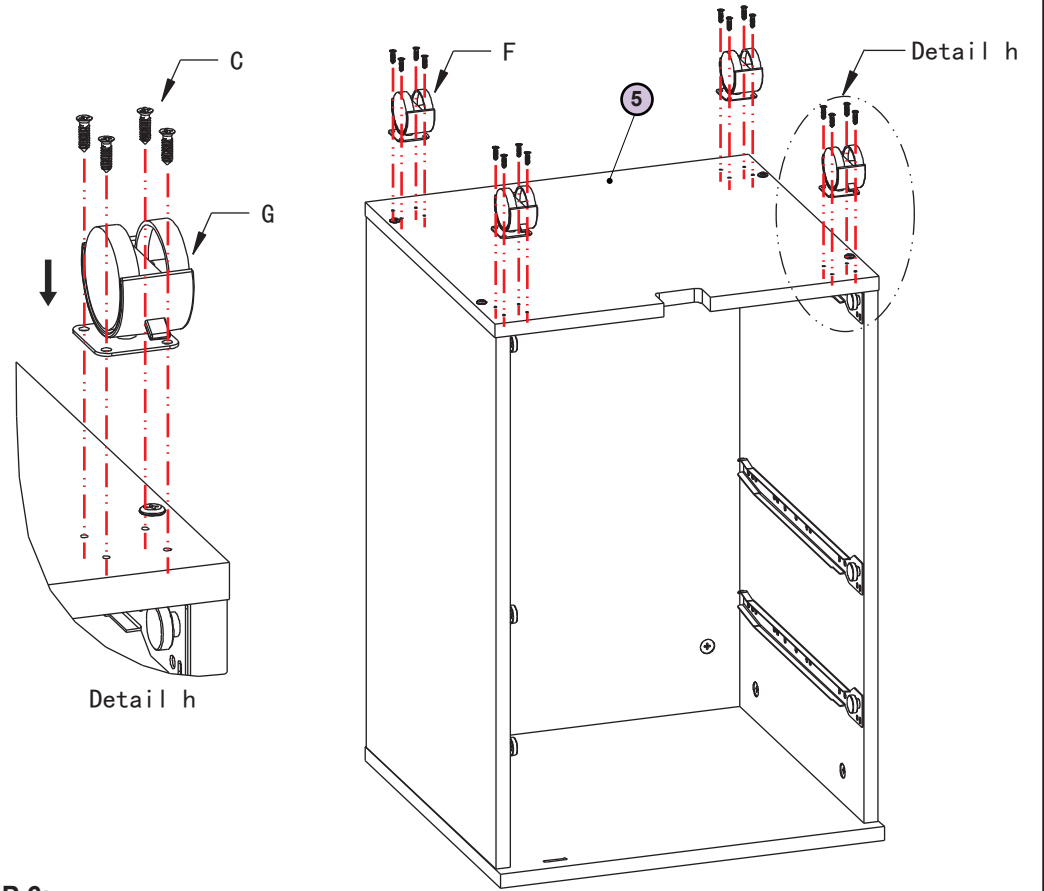
STEP 4:

1. Screw 4pcs of A into ①.
2. Connect the ① to the main frame and tighten with 4pcs D.

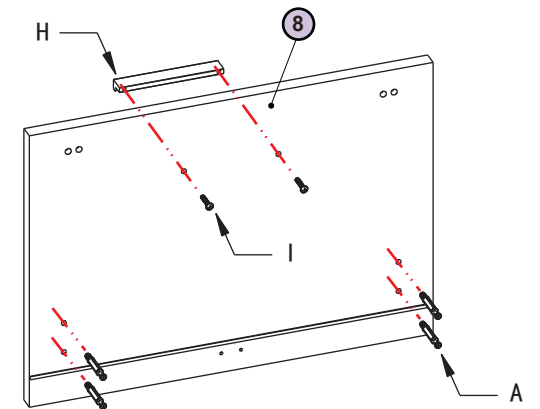
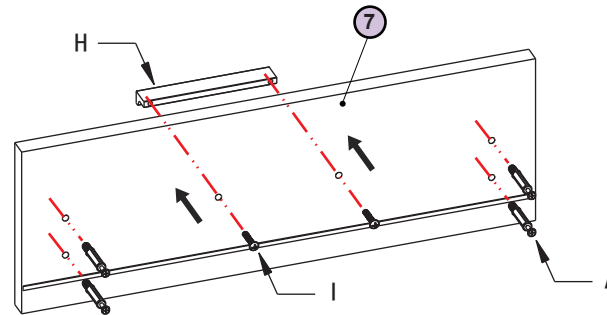
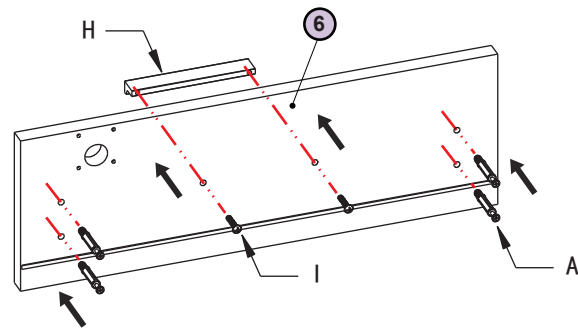
ASSEMBLY INSTRUCTIONS



STEP 5:
Fix ⑤ onto frame use 4pcs E.

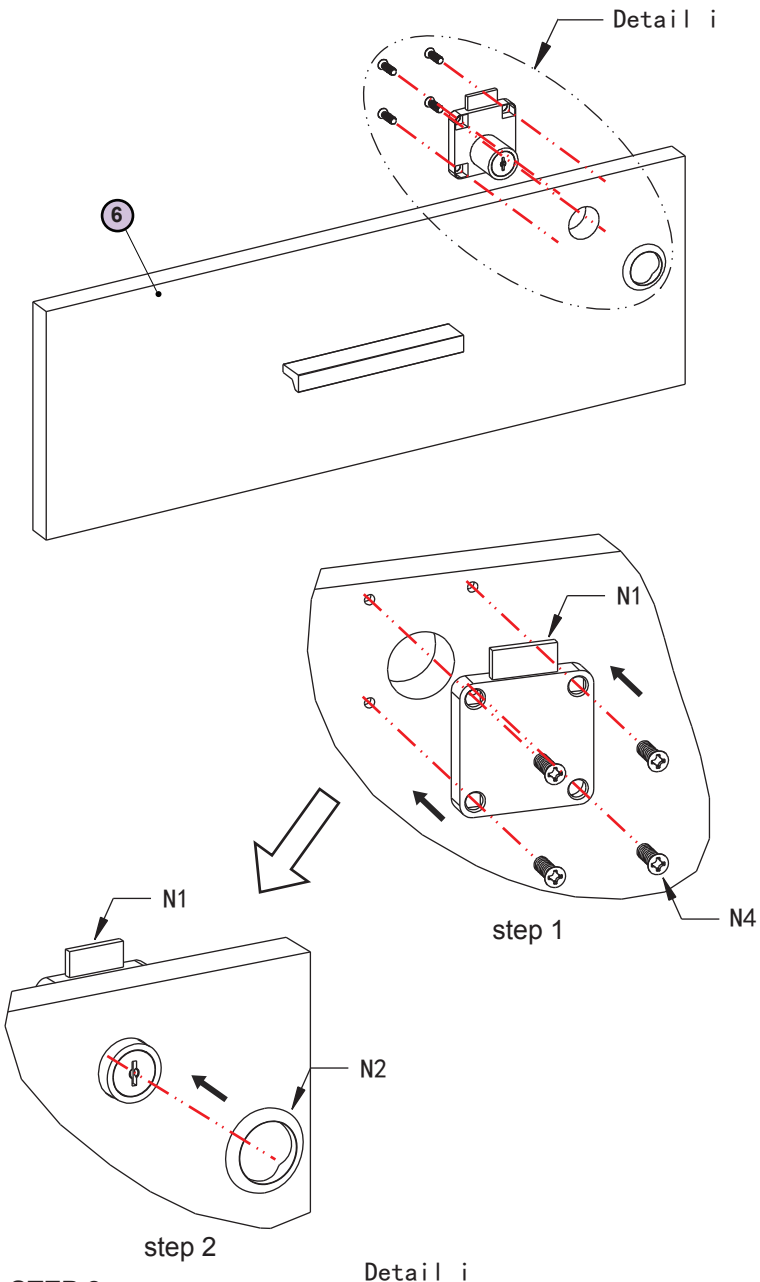


STEP 6:
Fix 2pcs F and 2pcs G onto ⑤ use 16pcs C.



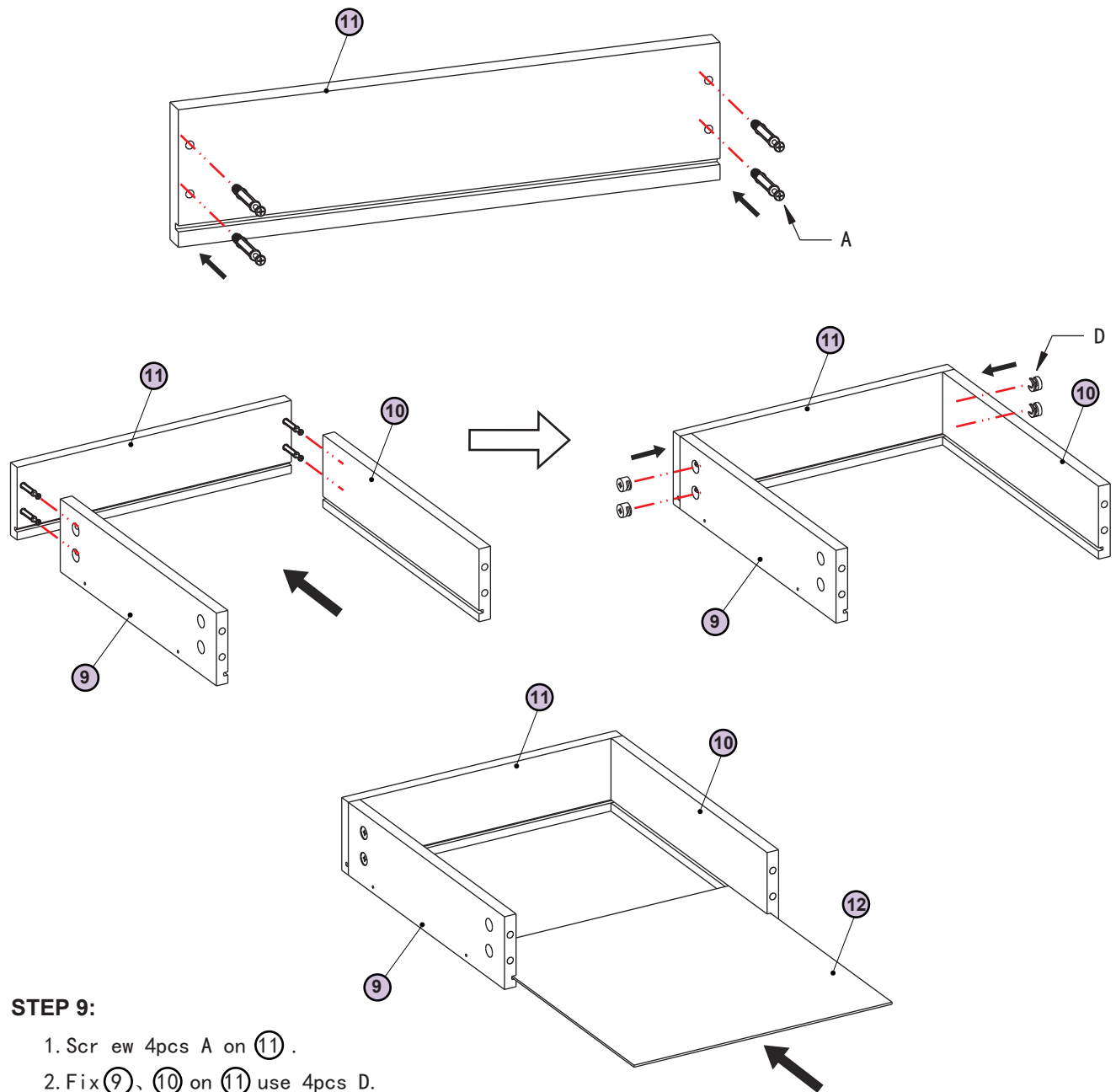
STEP 7:
Screw 4pcs A onto ⑥、⑦、⑧, Fix H on ⑥、⑦、⑧ use 2pcs I.

ASSEMBLY INSTRUCTIONS



STEP 8:

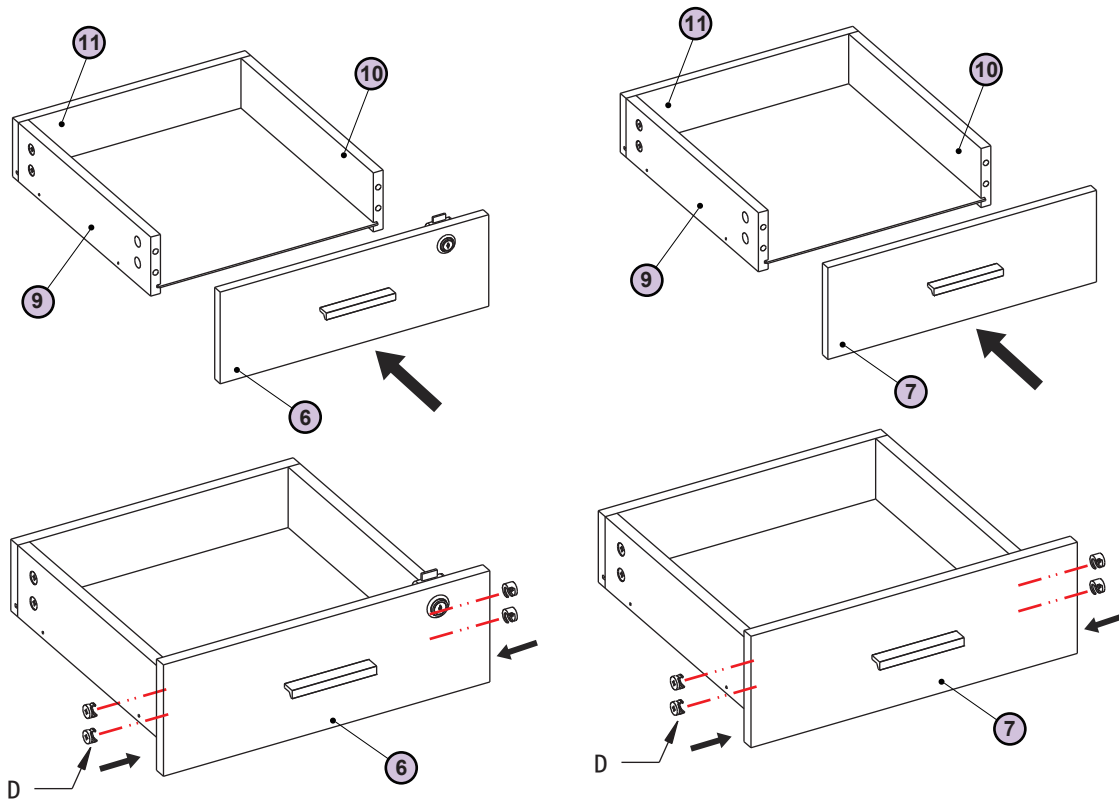
Fix N1 on (6) use 4pcs N4 (ST3.5*19mm) and then fix N2 on front face of (6).



STEP 9:

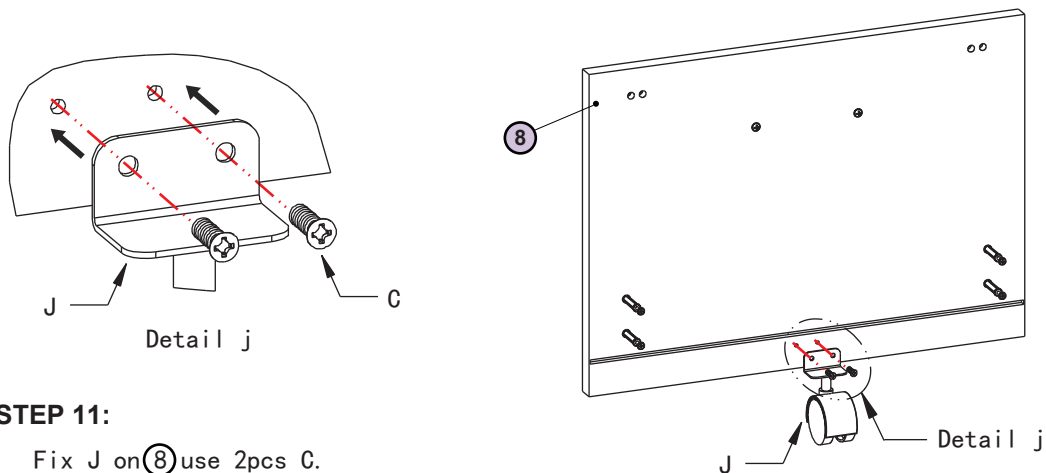
1. Screw 4pcs A on (11).
2. Fix (9), (10) on (11) use 4pcs D.
3. Insert (12) into the previous frame slot.
(Note: This step is performed twice)

ASSEMBLY INSTRUCTIONS



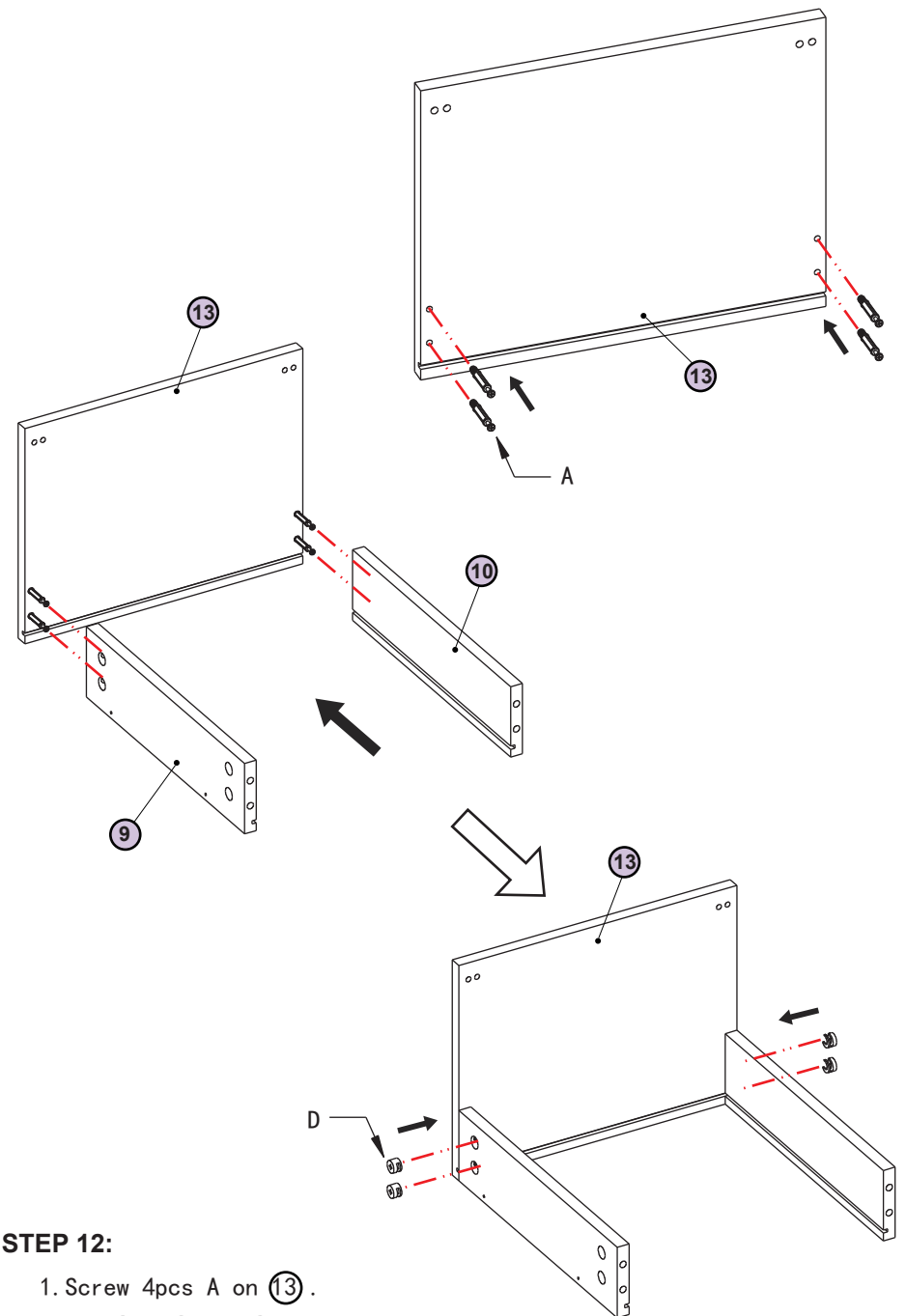
STEP 10:

Use 4pcs to attach the (6) and (7) to the drawer frame.



STEP 11:

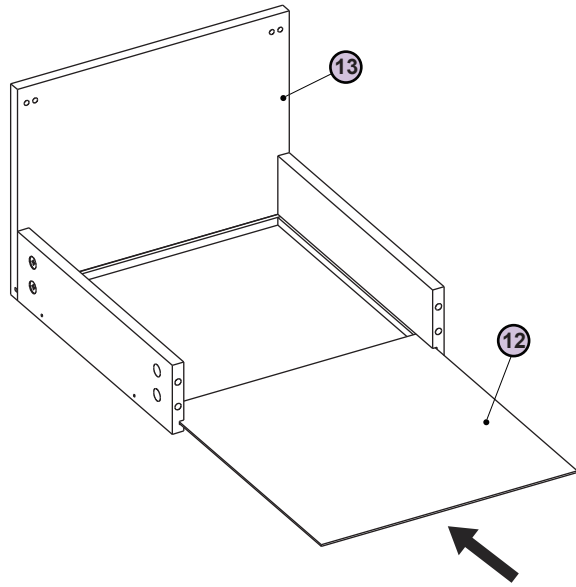
Fix J on (8) use 2pcs C.



STEP 12:

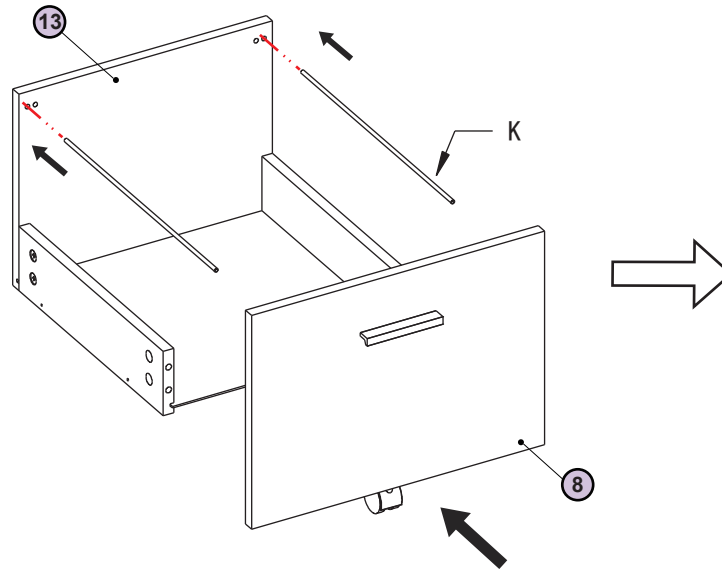
1. Screw 4pcs A on (13).
2. Fix (9), (10) on (13) use 4pcs D.

ASSEMBLY INSTRUCTIONS



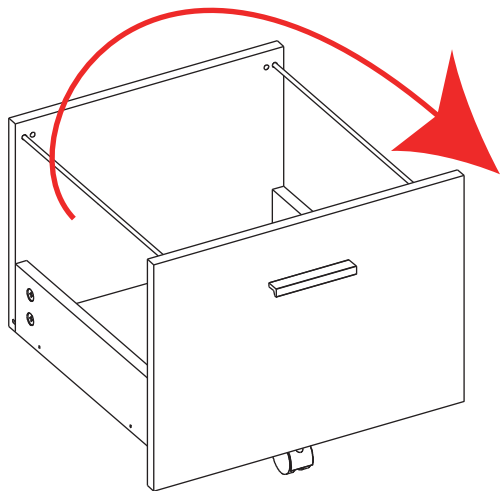
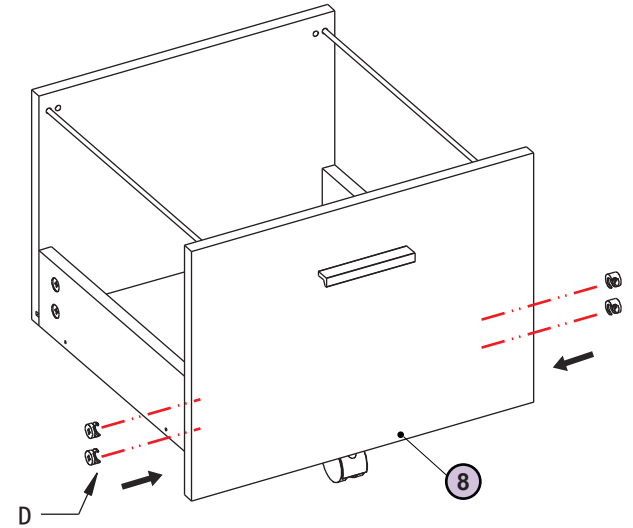
STEP 13:

Insert ⑫ into the previous frame slot.



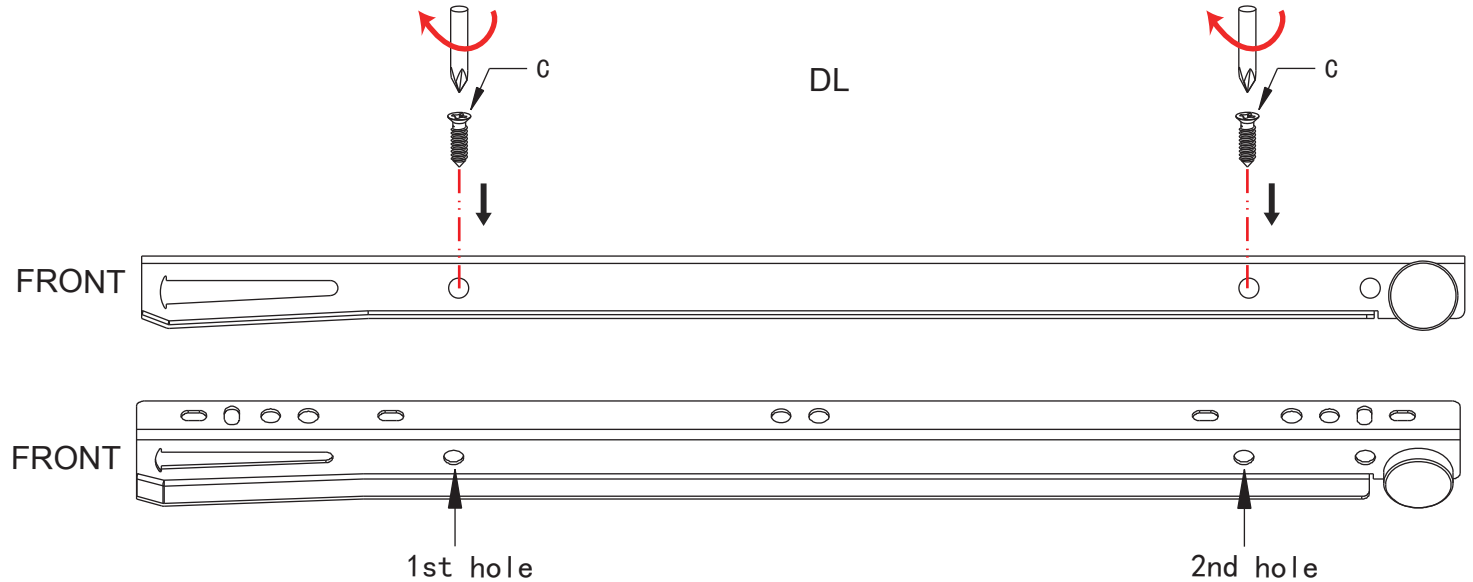
STEP 14:

1. Insert 2pcs K into the corresponding hole on ⑬.
2. Attach the ⑧ to the drawer frame with 4pcs D.



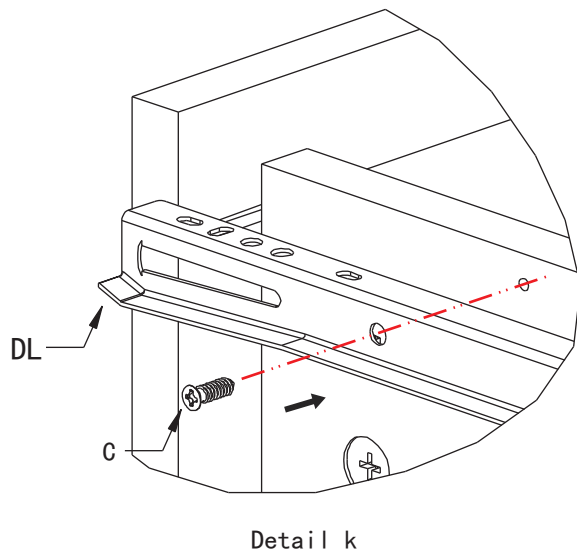
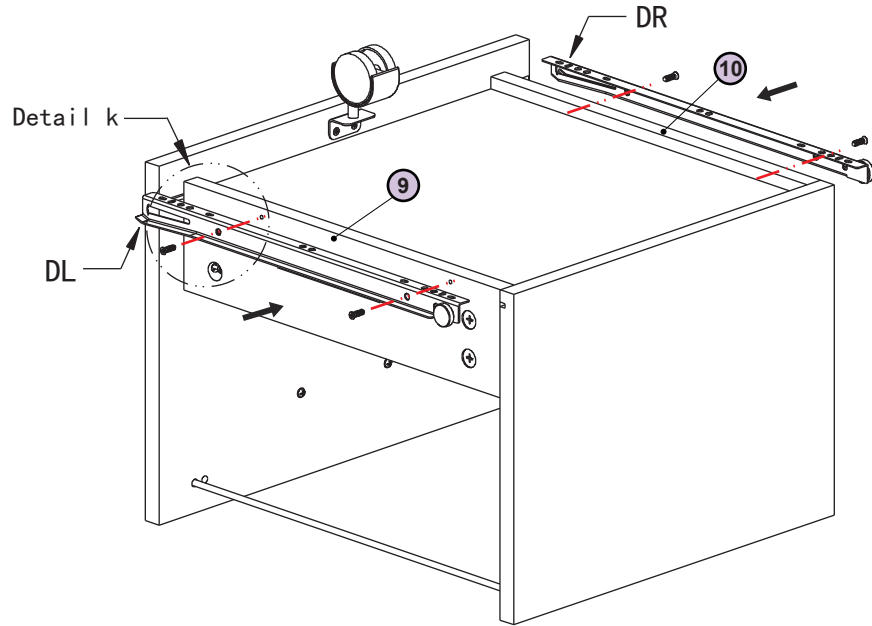
STEP 15:

Flip all the drawers.

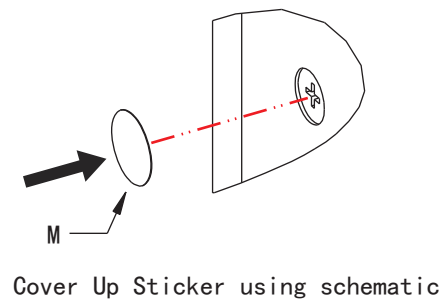
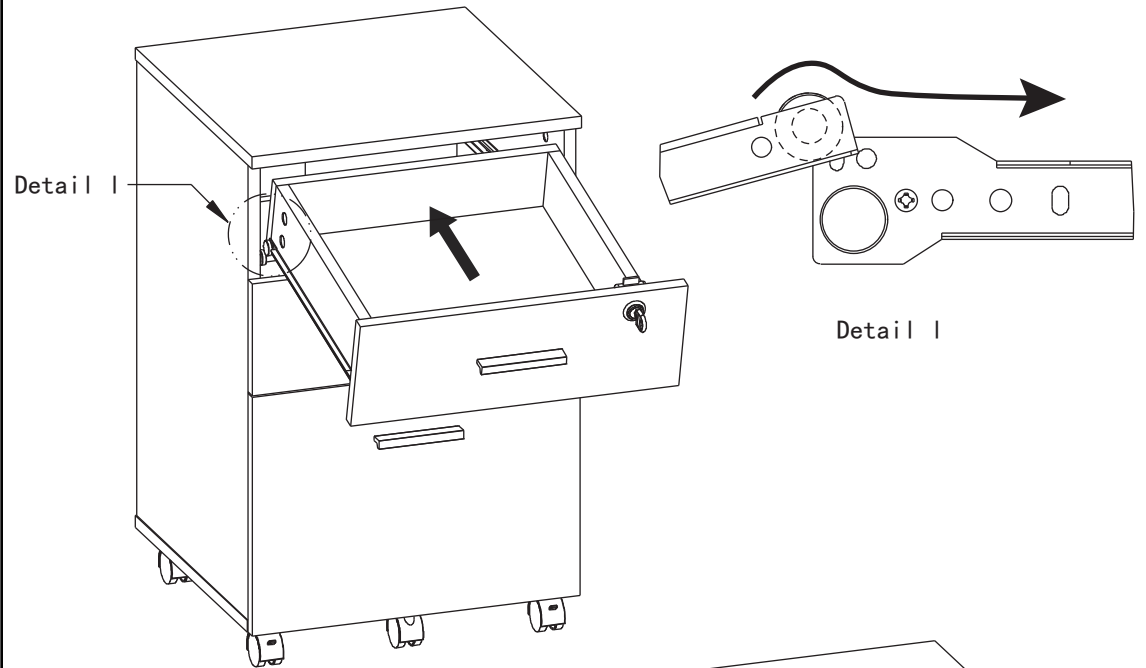


Fixed hole locations on DL and DR.

ASSEMBLY INSTRUCTIONS



STEP 16:
Use 2pcs C to fix DL or DR Into the appropriate holes on ⑨ and ⑩.
(Note: drawers all the some steps)



STEP 17:
Fit 3 drawers into the frame.

