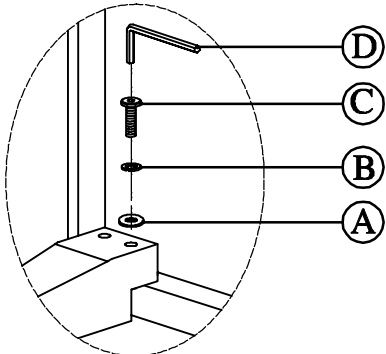
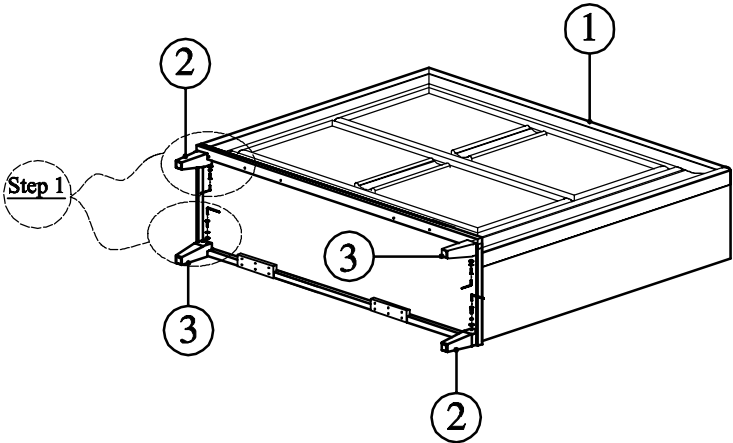


# ASSEMBLY INSTRUCTIONS



**Step 1**

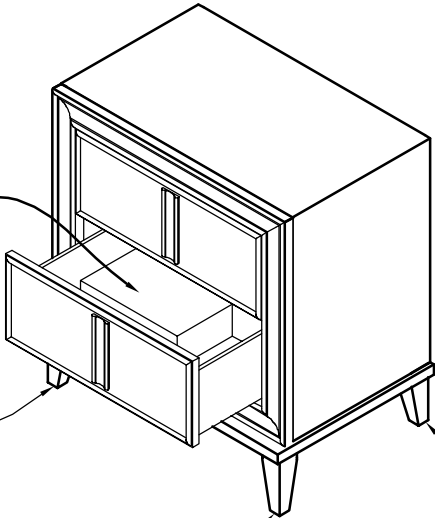


The legs inside the bottom drawer

LEFT FRONT LEG

RIGHT BACK LEG

RIGHT FRONT LEG



## HARDWARE LIST

PART LIST		
No.	Part description	Q'ty
1	NIGHT STAND	1
2	CASEGOOD LEFT FRONT LEG & RIGHT BACK LEG	2
3	CASEGOOD RIGHT FRONT LEG & LEFT BACK LEG	2

No.	Hardware Description	Q'ty
A	Flat washer (Ø1/4" x 3/4")	8
B	Lock Washer (Ø1/4" x 3/8)	8
C	Bolt (Ø1/4" x 2")	8
D	Allen key (4 x 59mm)	1