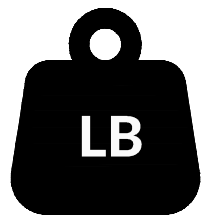
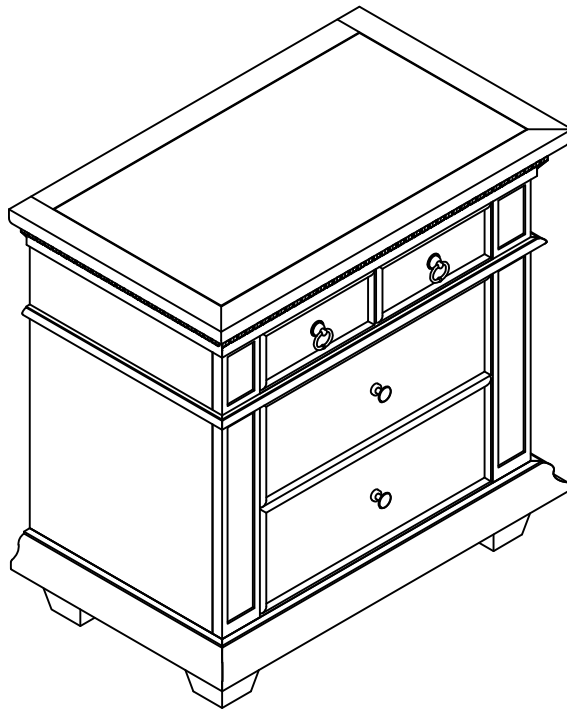


Owner Manual



Per Seat Weight Limitation

80 LBS

Thank You For Choosing Our Furniture

- ▀ If you have any questions or concerns, don't hesitate to reach out to us. ▴

NOTE:






This brochure contains IMPORTANT safety info. Please read and keep it for future reference.

MAINTENANCE AND WARNING



Before You Start

Please follow the steps below:

-  Check the packaging for any damage, deformation, or water stains. If there is significant damage, please contact us promptly.
-  Open the packaging and confirm that the panels, hardware, screws, etc are complete.
-  Please read the installation instructions carefully to understand the installation steps and precautions to ensure proper installation.
-  Clean the installation area in advance and ensure the ground is level and there is enough space to avoid damaging the furniture or making installation difficult.
-  Lay a protective mat on the ground to prevent scratching the floor during installation.

After-Sales Service

- If you encounter any issues or need technical support during use, please contact our after-sales team. We offer long-term maintenance and warranty services.



Precautions

- ⚠ This product for indoor use only. Do not expose it to outdoor elements or high-humidity environments.
- ⚠ Keep the product away from high heat or open flames to prevent fire hazards.
- ⚠ Do not allow children to climb on the product to prevent personal injury caused by tipping



Safety Warnings

- ⚠ If you notice any loose or damaged parts, stop using the product immediately and contact customer service.
- ⚠ Do not attempt to disassemble or replace any components yourself, as this may affect the stability and safety of the product.

Daily Maintenance

- Regularly clean the surface of the sofa with a soft cloth to prevent dust accumulation.

Do not use cleaning agents containing acids, alkalis, or corrosive substances,

- as they may damage the surface. It is recommended to use neutral cleaning agents or specialized furniture cleaners

Avoid exposing furniture to humid environments for extended periods to

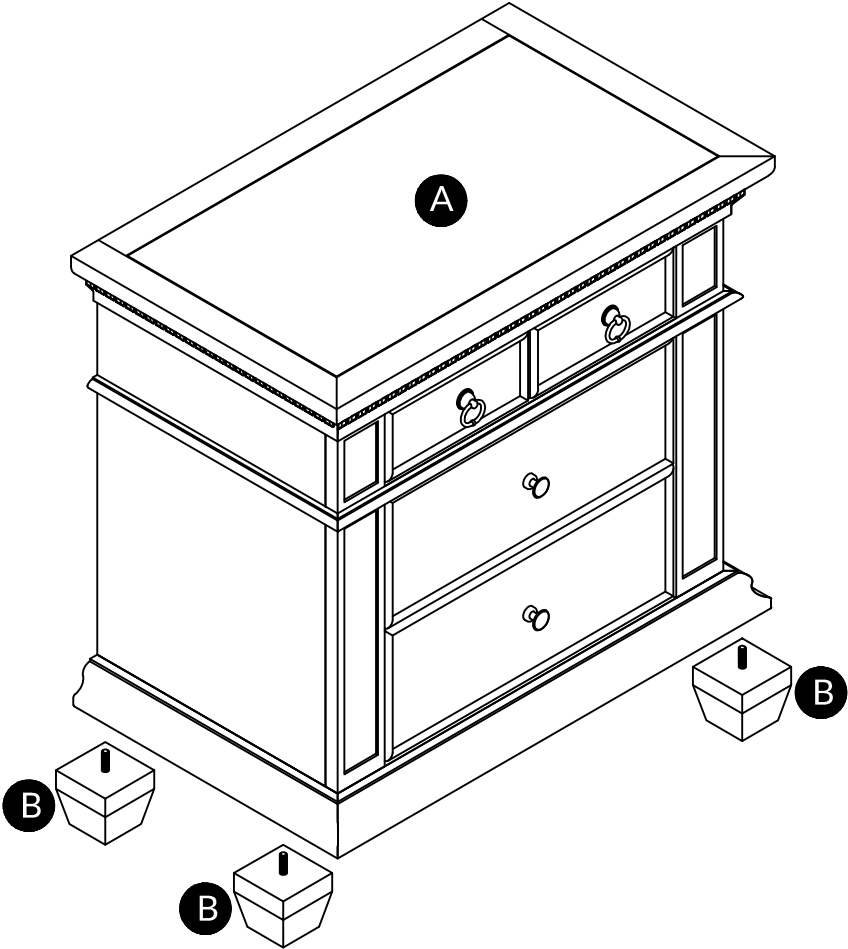
- prevent swelling or deformation of the boards. Use a dehumidifier or desiccant during humid weather.

Avoid direct contact of furniture with water. If water is accidentally spilled, wipe it dry immediately.

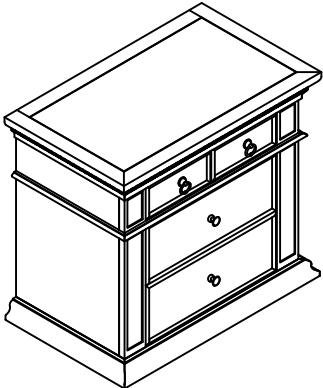
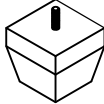
- Avoid placing excessively heavy objects on the furniture: ensure the weight is within a reasonable load-bearing range.

Avoid using sharp or rough items on the furniture surface to prevent scratches, Handle items gently when moving them

Explosive view



Parts list

<p>A</p>  <p>x1</p>	<p>B</p>  <p>x4</p>

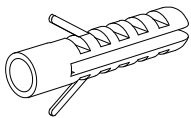
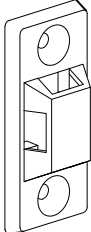
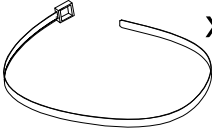
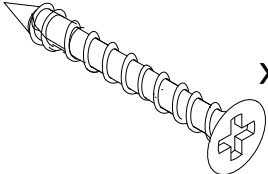
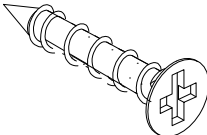
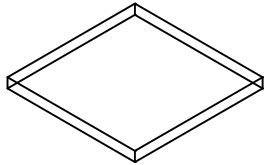
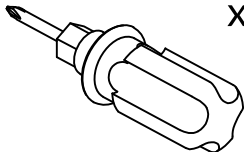


Installation:
15minutes.



Two Person

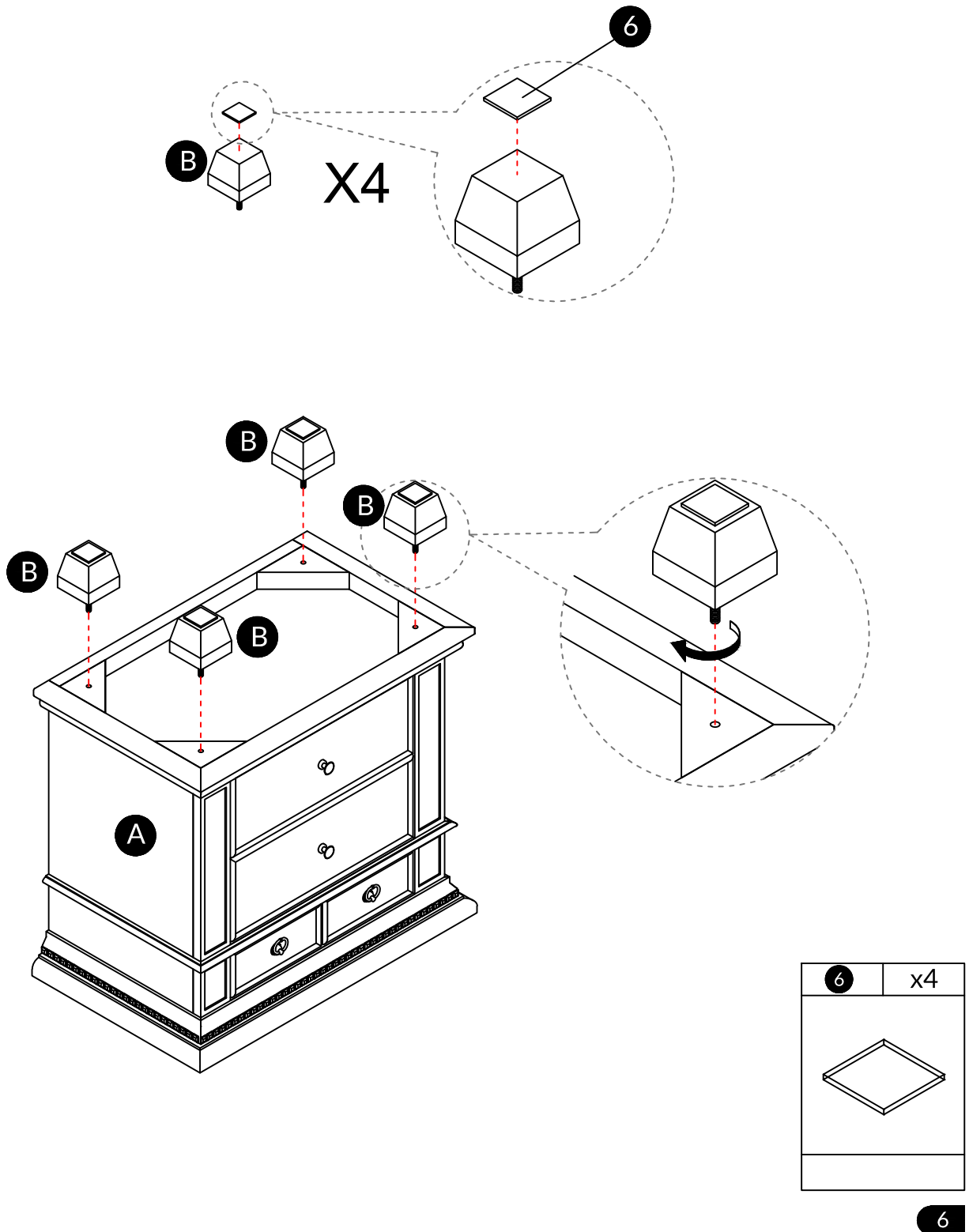
Hardware List

<p>1</p>  <p>x4</p>	<p>2</p>  <p>x4</p>	<p>3</p>  <p>x2</p>
<p>4</p>  <p>x4</p> <p>D4x40mm</p>	<p>5</p>  <p>x4</p> <p>D4x20mm</p>	<p>6</p>  <p>x4+1</p>
<p>7</p>  <p>x1</p>		

Step 1

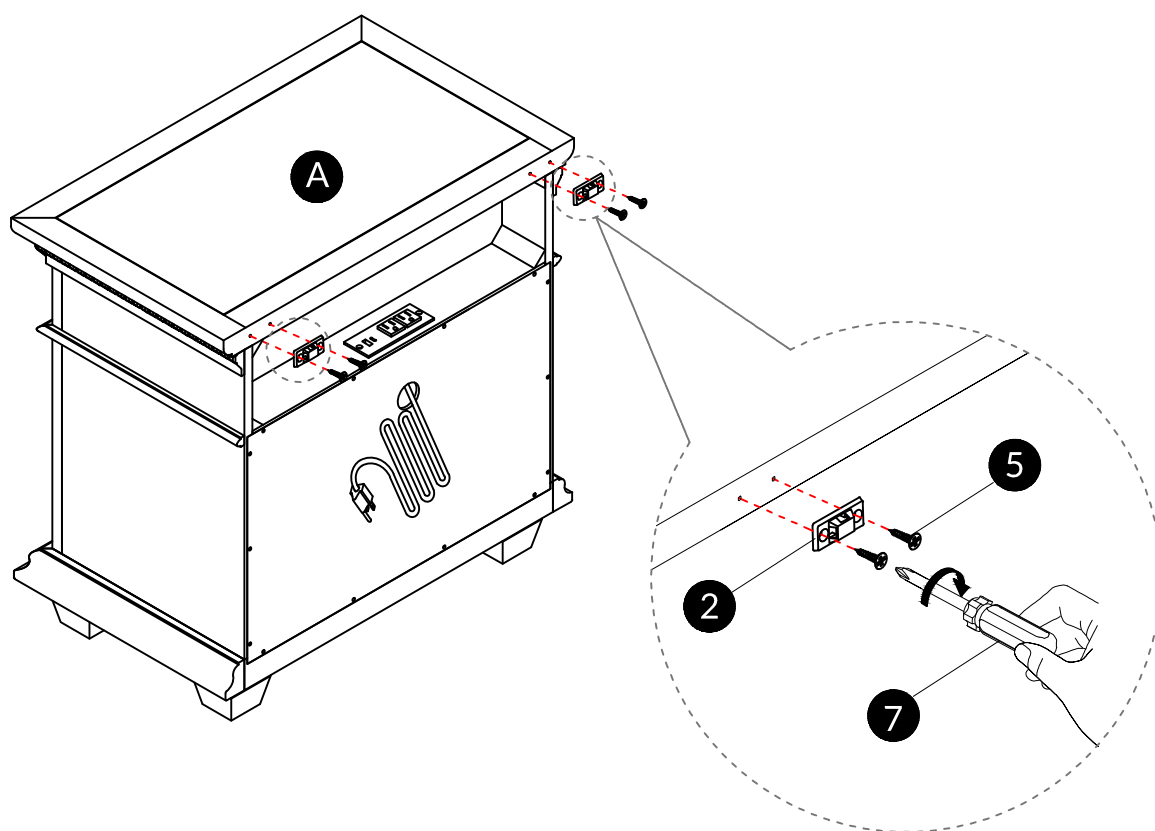
As shown in the figure: stick the plastic pad 6 onto the surface corresponding to the foot (B).

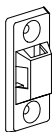
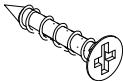
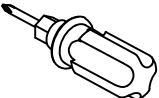
As shown in the figure: Rotate the foot (B) in the direction of the arrow into the corresponding hole on the cabinet (A).



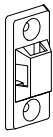
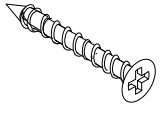

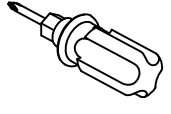
Step 2

Use screw 5 to attach part 2 to back (A) , tight screw with screwdriver 7.



2	x2	5	x4	7	x1
					
		D4x20mm			

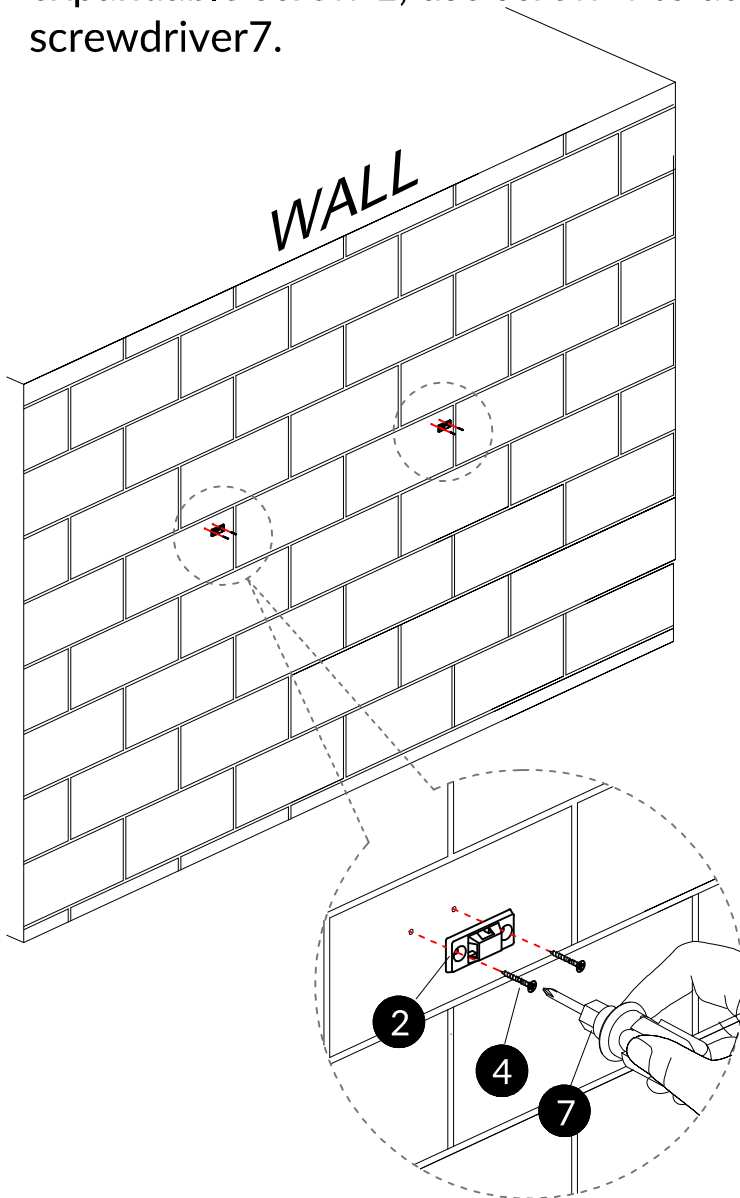
Step 3

2	x2	4	x4	1	x4	7	x1
							
		D4x40mm					

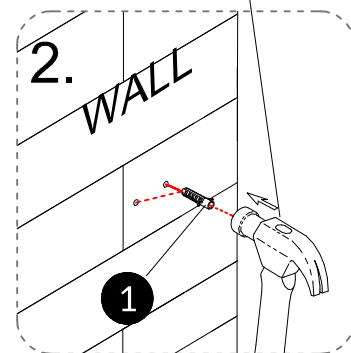
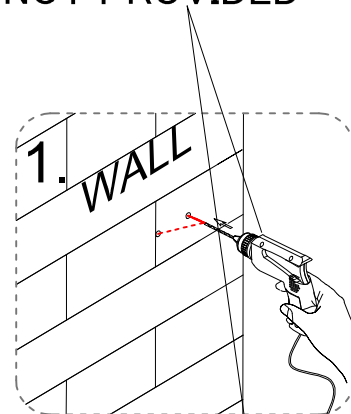
1. Install the anti-collapse device.

2. Mark the position on the wall, that corresponds to the location of part 2 on the of panel (A); Drill and insert the expandable screw 1 by hammer.

3. Assemble the part 2 to the wall. Align the hole in the part 2 with the expandable screw 1, use screw 4 to attach it and tighten by screwdriver 7.

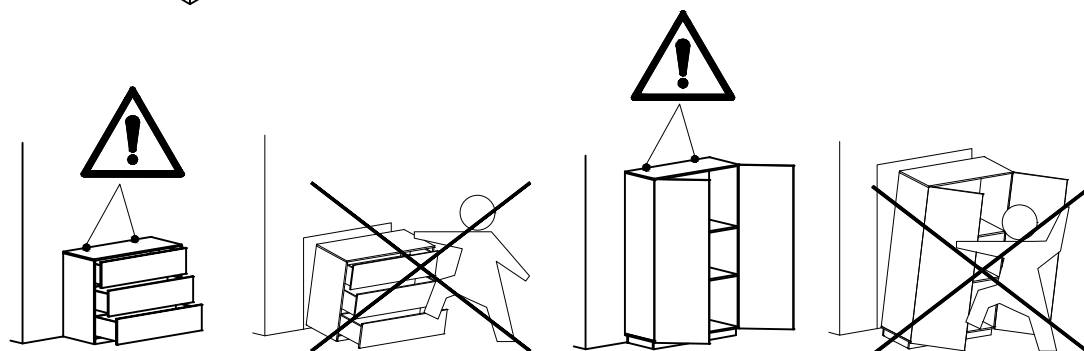
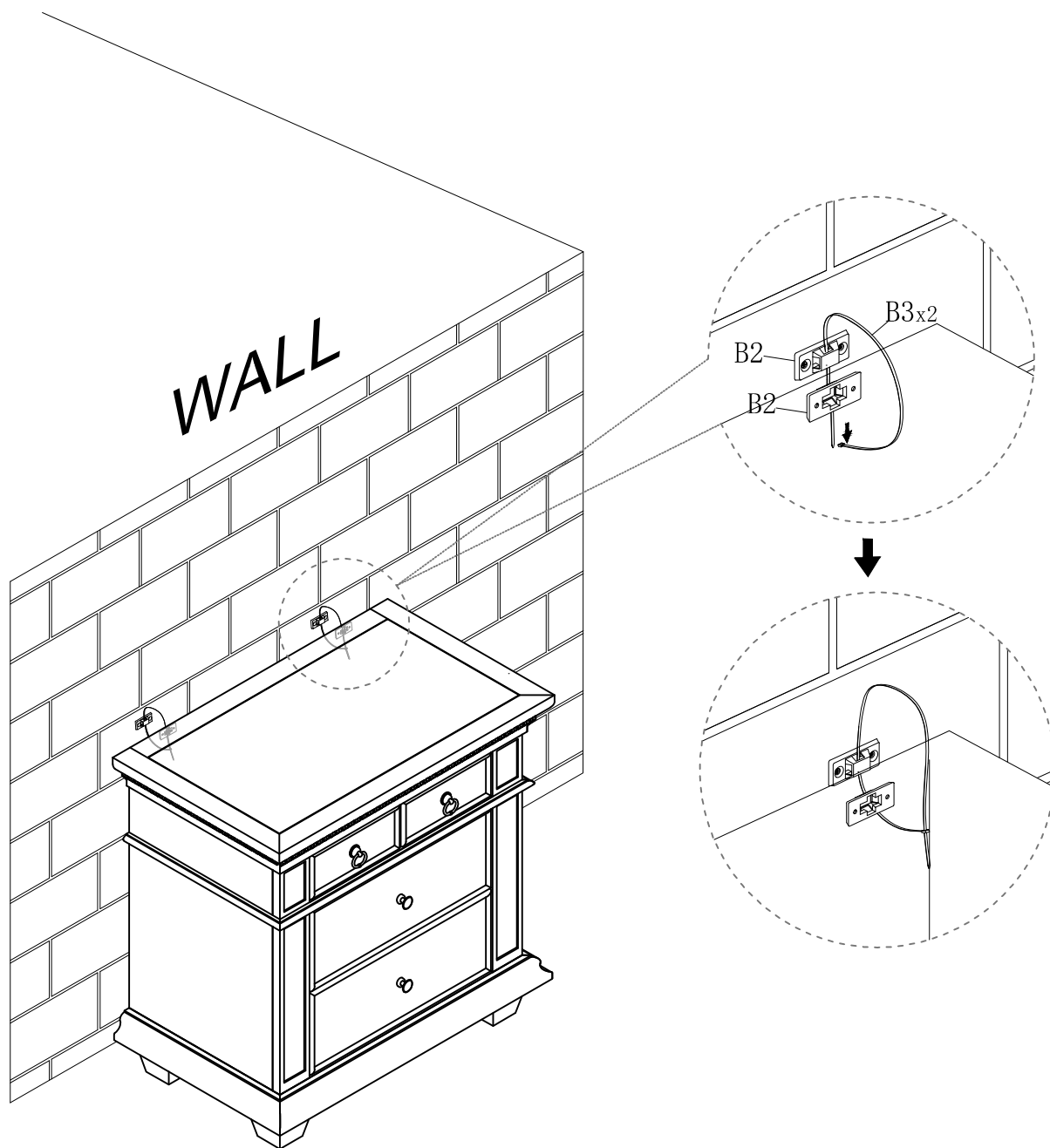


NOT PROVIDED



Step 4

Let the plastic belt 3 pass through the both part 2 and pull tightly.



WARRANTY

- We strive to offer quality products, and we also try our best to satisfy every customer who orders from us with products or services as needed.
- We provide 30 days warranty starting from the time you receive the item. Each customer must provide a record of their orders such as the order number, or item receipt for any items that are out of the warranty period you may also still receive.
- Replacement parts by purchasing them from our company if they are available.
- For return, please check the return policy with the retailer or market place you bought from