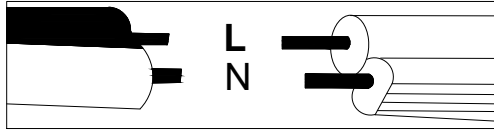


WIRE CONNECTION DIAGRAM

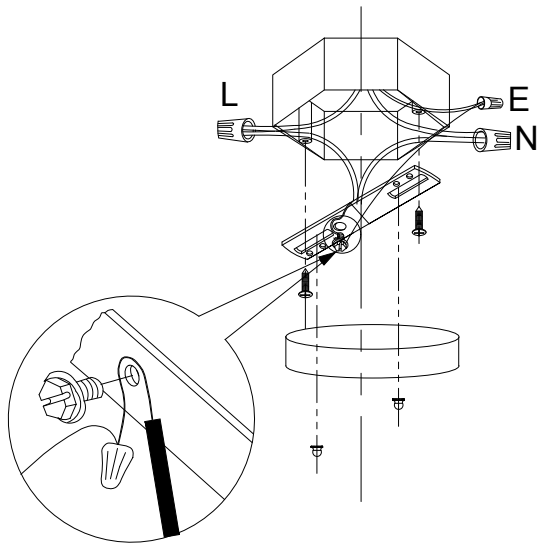
Wires meeting safety standards are required to connect the electrical circuit.

CAUTION: Risk of fire

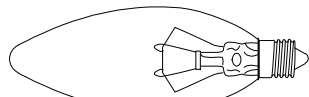


CANOPY INSTALLATION INSTRUCTIONS

Please read all instructions carefully. Before you proceed to install, make sure that the power supply is turned off and remains off until installation is complete.

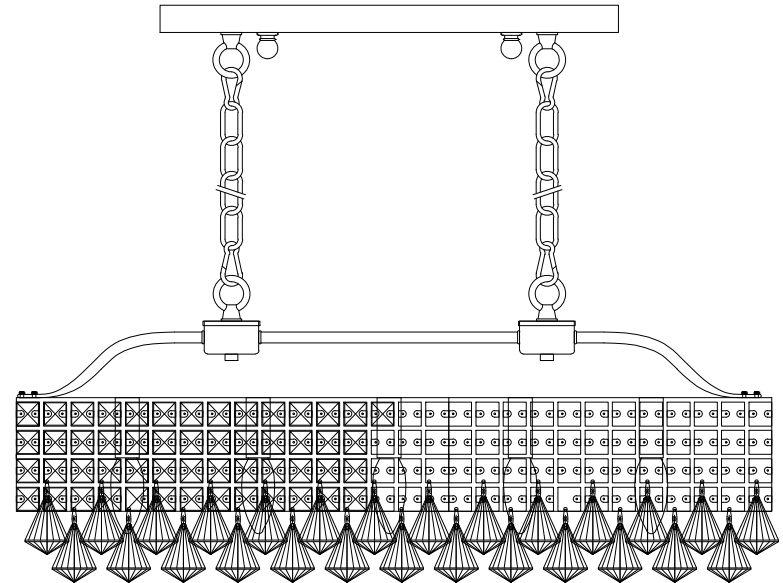


Light Bulb (Not included)



E12

USER MANUAL



(Rated 110-130V/60Hz, bulb 40W-60W maximum.)

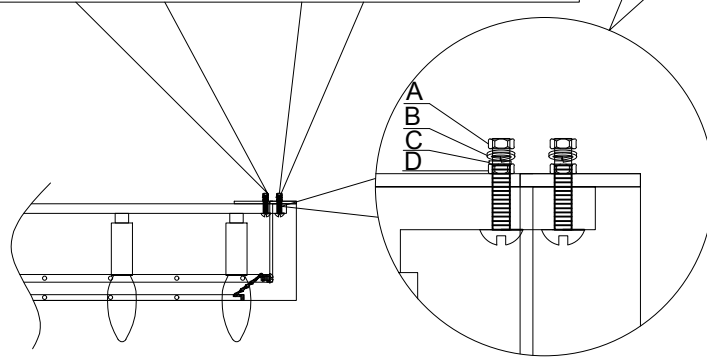
Assembly and Installation Steps

Warm Tips

Please only remove part# A, B and C, part#D is fixed on the lamp and can not be removed.

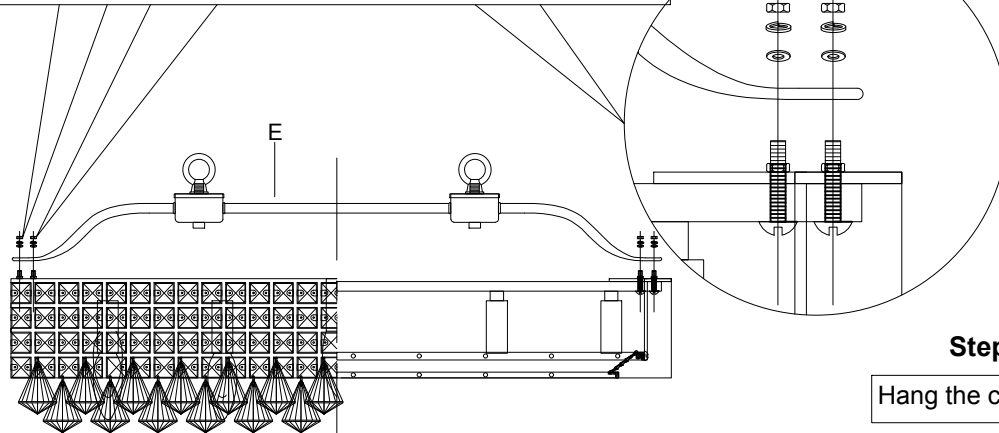
Step 1

Remove the M5 nut, M5 spring gasket and M5 flat gasket.



Step 2

Put part#E at both ends of the rod, then tighten the nut.

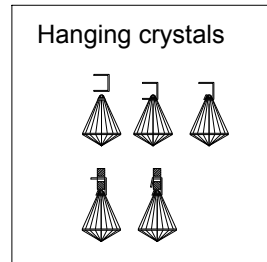


Step 4

4A. Attach the crossbar to the junction box of the ceiling by using 2 pcs of 5/32 screws in the accessories bag.

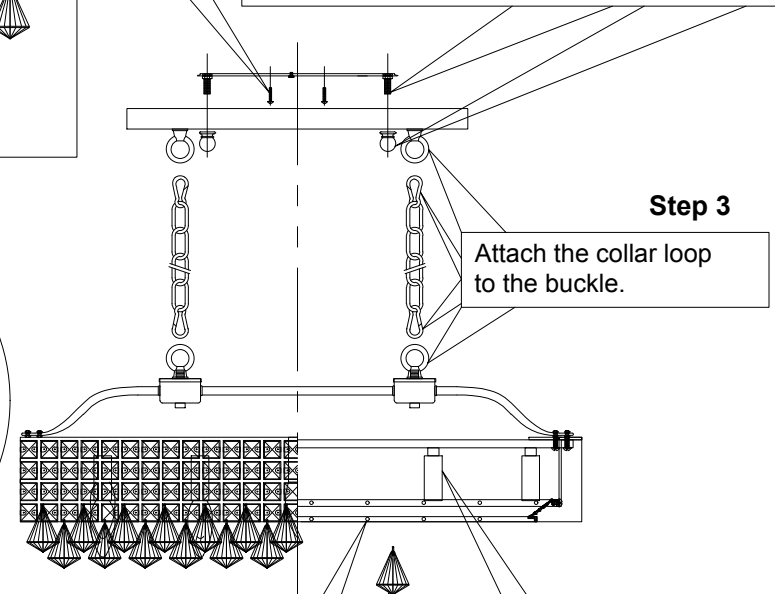
4B. Connect the wires. The hot/positive wire (+) has an "L" label on it. The other one is the negative wire (-). And the bare cooper is the ground wire.

4C. Attach the canopy to the ceiling with screws.



Step 5

There are 2 screws and 2 nuts in the plastic bag. Hang the lamp to the ceiling by attaching the screws to the nuts.



Step 3

Attach the collar loop to the buckle.

Step 6

Hang the crystals from the metal ring.

Step 7

Install 5 E12 bulbs (Not included).

Please note: The parts in this table are completely unassembled for illustrative purpose. In the actual product that you receive, some parts are assembled and attached together.

