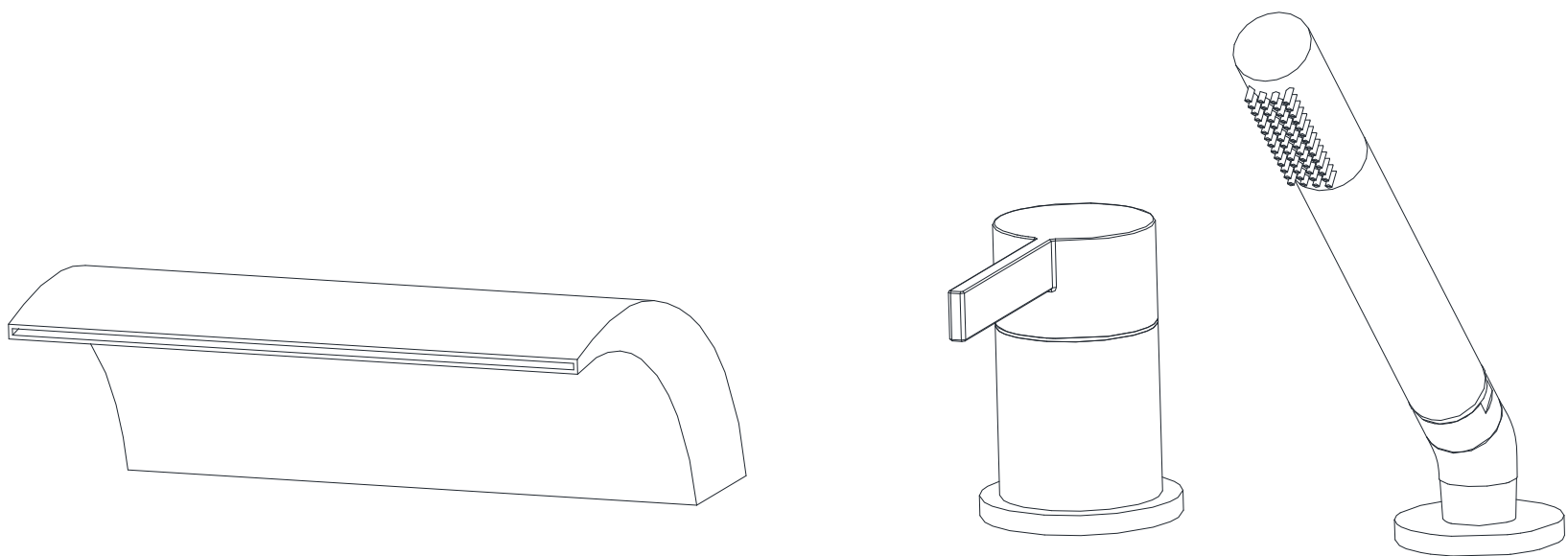


INSTALLATION GUIDE



ROMAN WATERFALL BATHTUB FAUCET

MODEL	FINISH
S2173W-CH	CHROME
S2173W-BN	BRUSHED NICEKL
S2173W-MB	MATTE BLACK
S2173W-BG	BRUSHED GOLD
S2173W-MG	BLACK AND BRUSHED GOLD

HOT LINE: +1-866-203-0866

THANK YOU

Dear Valued Customer,

Thank you for choosing SUMERAIN products. We sincerely appreciate your recent purchase and hope you are fully satisfied with your new product. At SUMERAIN, all our products are meticulously designed, engineered, and rigorously tested to ensure long-lasting, trouble-free performance under normal conditions.

Installation is simple with basic tools and our step-by-step illustrated guide. We welcome your questions or feedback and look forward to assisting you in the future. For any inquiries, please contact us at +1-866-203-0866 or email us at [support@sumerain.com](mailto:supports@sumerain.com).

Thank you again for selecting SUMERAIN. We remain dedicated to providing exceptional customer service.

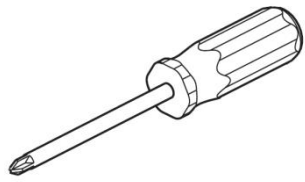
Sincerely,

SUMERAIN Customer Service Department.

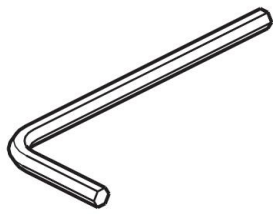
BEFORE PROCEEDING

1. Unpack the product and ensure all components are included in the package. Keep the product in its original packaging until you are ready to install it to prevent damage.
2. Locate the water supply inlets and turn off the water supply valves, which are typically near the water meter or under the sink. If replacing an existing unit, remove the old one and thoroughly clean the mounting surface.
3. Follow all applicable local and state plumbing and building codes to ensure proper installation.
4. If you are uncertain about the installation process, we strongly recommend consulting a professional to avoid potential issues.

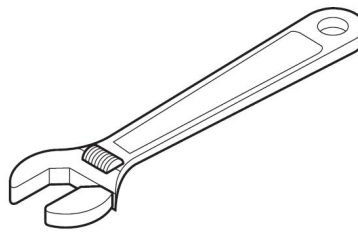
TOOLS RECOMMENDED



Philips Screwdriver



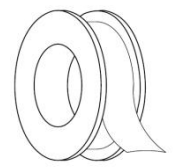
Allen Wrench



Adjustable Wrench



Channel Locks



Teflon Tape

LIMITED LIFETIME CONSUMER WARRANTY

VERSION: 140320.15.3

This product is manufactured and rigorously tested to meet the highest quality standards by HONGKONG SUMERAIN SANITARY INDUSTRY Co., Limited ("SUMERAIN"). This warranty is exclusively applicable to SUMERAIN products purchased by consumers in the United States on or after January 1, 2020. If a faucet develops leaks or drips during normal usage, SUMERAIN will provide the required faucet cartridge to the purchaser, free of charge, to restore the faucet to proper working condition. For any defects identified under normal residential use, SUMERAIN may, at its discretion, repair the product, supply replacement parts or products, or make necessary adjustments to ensure optimal functionality.

WHO IS COVERED BY THE WARRANTY

This warranty exclusively covers the original consumer purchaser, including those who purchased through online retail platforms. Customers specifically covered under the "Online Consumer Limited Lifetime Warranty & Return Policy" are also included. Please note that this warranty is non-transferable and cannot be assigned to any other individual or entity.

WHAT IS COVERED BY THE WARRANTY

This warranty applies exclusively to SUMERAIN-manufactured products purchased by the consumer. SUMERAIN warrants against defects in materials or workmanship under normal installation, use, service, and maintenance. If the product or its components are found to be defective due to faulty materials or workmanship, SUMERAIN will, at its discretion, provide free replacement parts or replace the entire product.

FINISH WARRANTY

Customers are responsible for inspecting the product for any material or finish defects within three days of receipt. Please note that surface finish defects are not covered under warranty once the fixture has been installed.

ELECTRONIC FAUCETS WARRANTY

SUMERAIN warrants its LED components, including electronic faucets, valves, controllers, and battery-powered devices, against material and manufacturing defects for one year from the date of purchase under normal use. The water flow impeller power device (LED power generation unit) is covered against manufacturing defects for three months from the date of purchase.

LENGTH OF WARRANTY

As stated in the following, any replacement or repaired parts of the product will be covered for the duration of this warranty, which SUMERAIN provides for a period of 1 year from the original date of purchase.

CIRCUMSTANCES THAT SUMERAIN WILL NOT WARRANT AND PAY FOR:

- A. Conditions, malfunctions, or damage that are not caused by defects in material or workmanship are not covered under the warranty.
- B. Conditions, malfunctions, or damage resulting from normal wear and tear, improper installation, improper maintenance, misuse, abuse, negligence, accidents, alterations, or the use of abrasive or caustic cleaning agents, "no-rinse" cleaning products, or operation contrary to the provided instructions, including issues caused by home conditions such as excessive water pressure or corrosion, are excluded from the warranty.
- C. Labor costs or other expenses related to the disconnection, deinstallation, or return of the product for warranty service, as well as the installation or reinstallation of the product, are not covered under the warranty.
- D. Accessories, connected materials, and related products (including but not limited to hand shower flexible hoses, spray flexible hoses, hand showers, and showerheads) that are not manufactured by SUMERAIN are excluded from warranty coverage.

TO OBTAIN WARRANTY PARTS OR INFORMATION

To obtain warranty parts or information, please follow these steps:

Contact your SUMERAIN retailer, call the technical service line at +1-866-203-0866, or email supports@sumerain.com.

When applying for warranty service, provide the following information:

- a. A sales receipt or proof of purchase date and platform.
- b. A detailed description of the issue.
- c. Ship the product or defective parts to the designated SUMERAIN warehouse in the United States with prepaid postage. Ensure the items are carefully packaged and insured. Once the warranty service is completed, repaired or replaced products or parts will be returned to you with prepaid postage.

If you have further questions or require additional assistance, please contact SUMERAIN using the information provided above.

EXCLUSIONS & LIMITATIONS

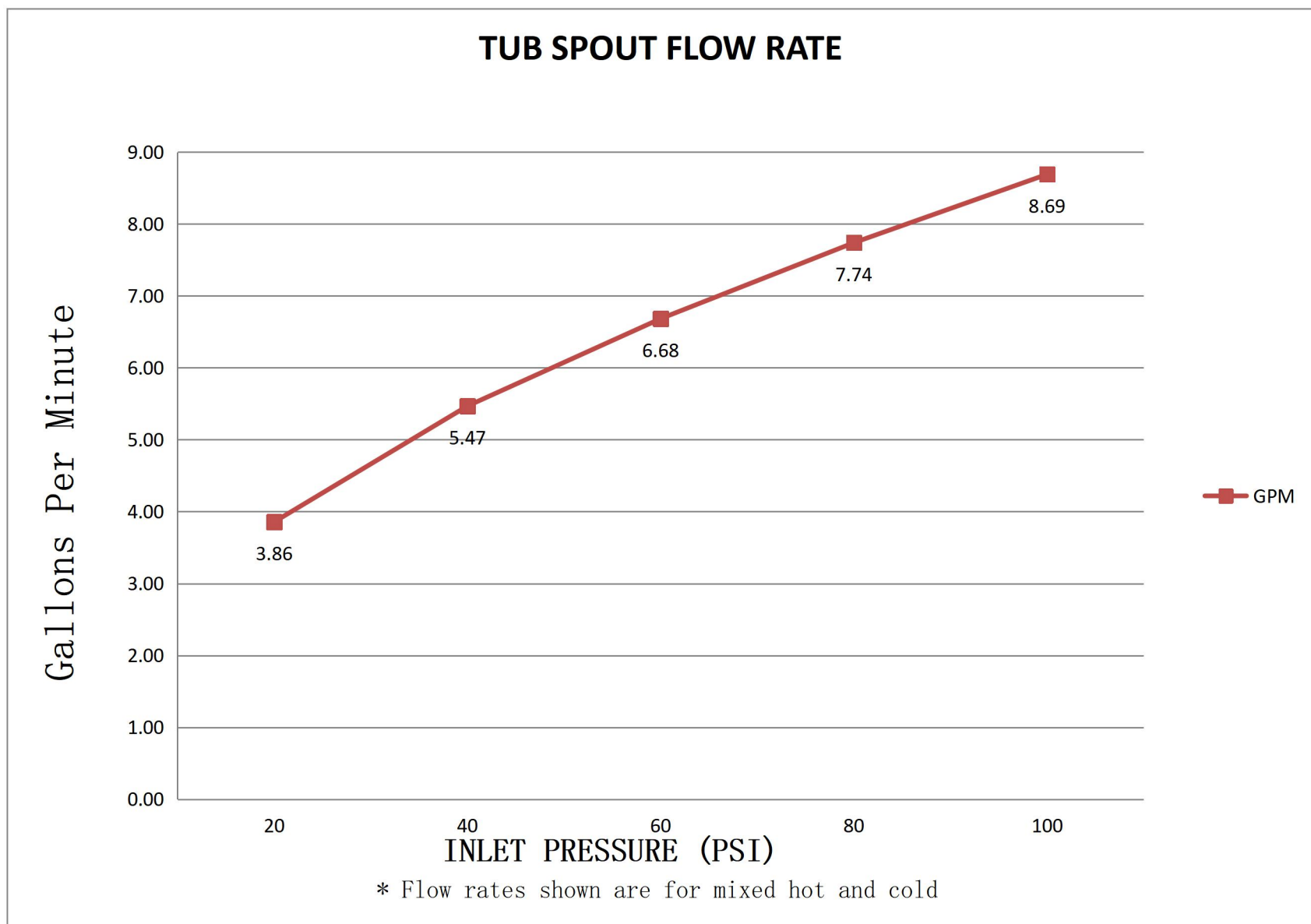
Under the terms of this warranty, repair, replacement, or, in limited cases, a refund of the purchase price is the sole remedy available to the purchaser. SUMERAIN assumes no obligations or liabilities and does not authorize any individual to create obligations or liabilities related to this product. SUMERAIN is not liable for any incidental, special, or consequential damages resulting from a breach of this warranty or any implied warranties, including merchantability. Please note that some states do not allow the exclusion or limitation of incidental or consequential damages, so the above limitations or exclusions may not apply to you. This warranty provides specific legal rights, and you may also have additional rights that vary by state. Before filing any legal action under the Magnuson-Moss Warranty Act, you may be required to provide SUMERAIN with a reasonable opportunity to address or resolve any non-compliance.

PRODUCT INSTRUCTIONS & QUESTIONS

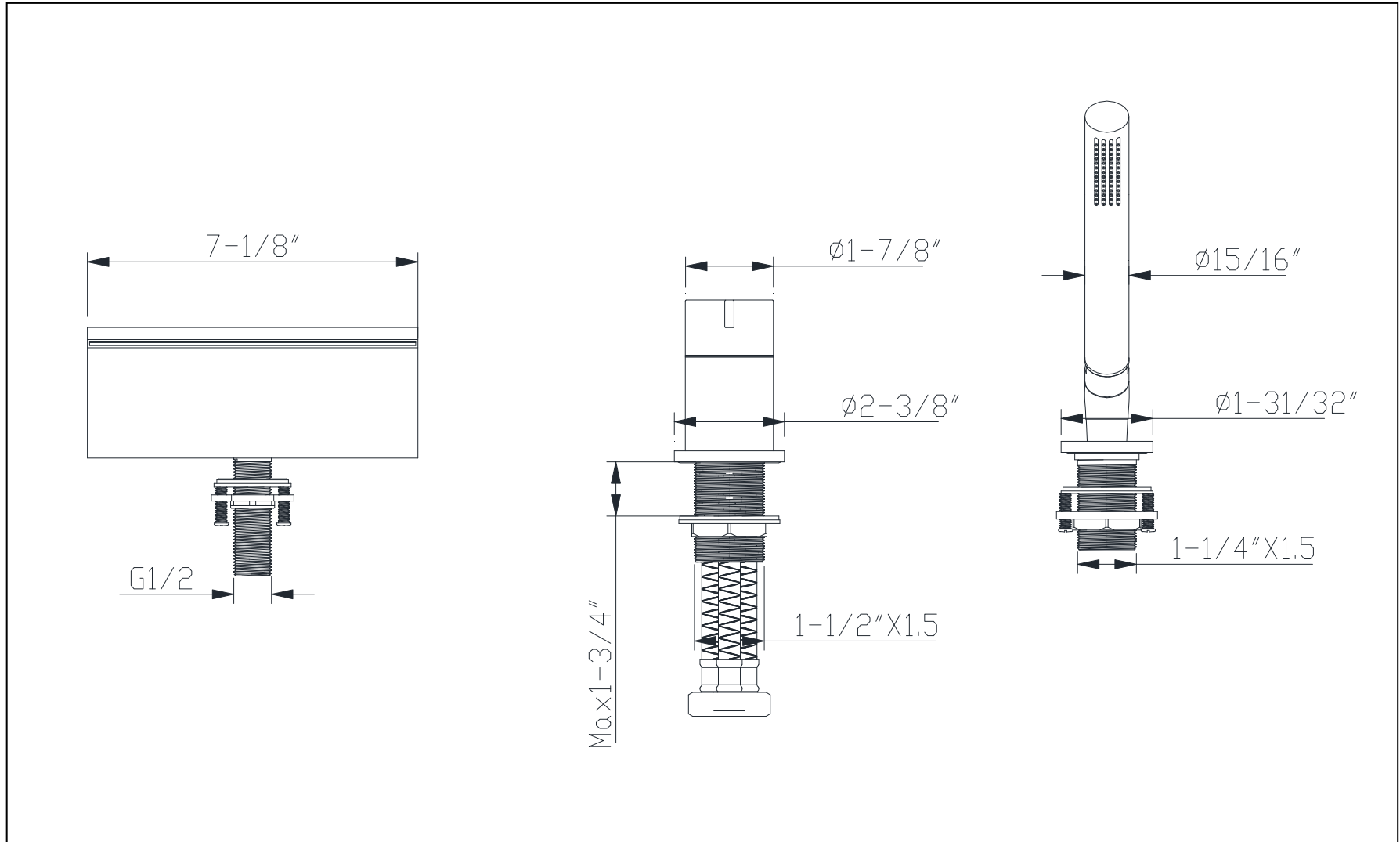
Prior to installation, we strongly recommend thoroughly inspecting your SUMERAIN product for any potential damage or visible defects caused during shipping. Carefully review the included instructions for proper installation, maintenance, and care procedures. If you have any questions regarding the use, installation, performance, or warranty of your SUMERAIN product, please contact us at +1-866-203-0866 or email supports@sumerain.com. Our customer support team is available to assist with any concerns or inquiries you may have.

FUNCTIONS & SPECIFICATIONS

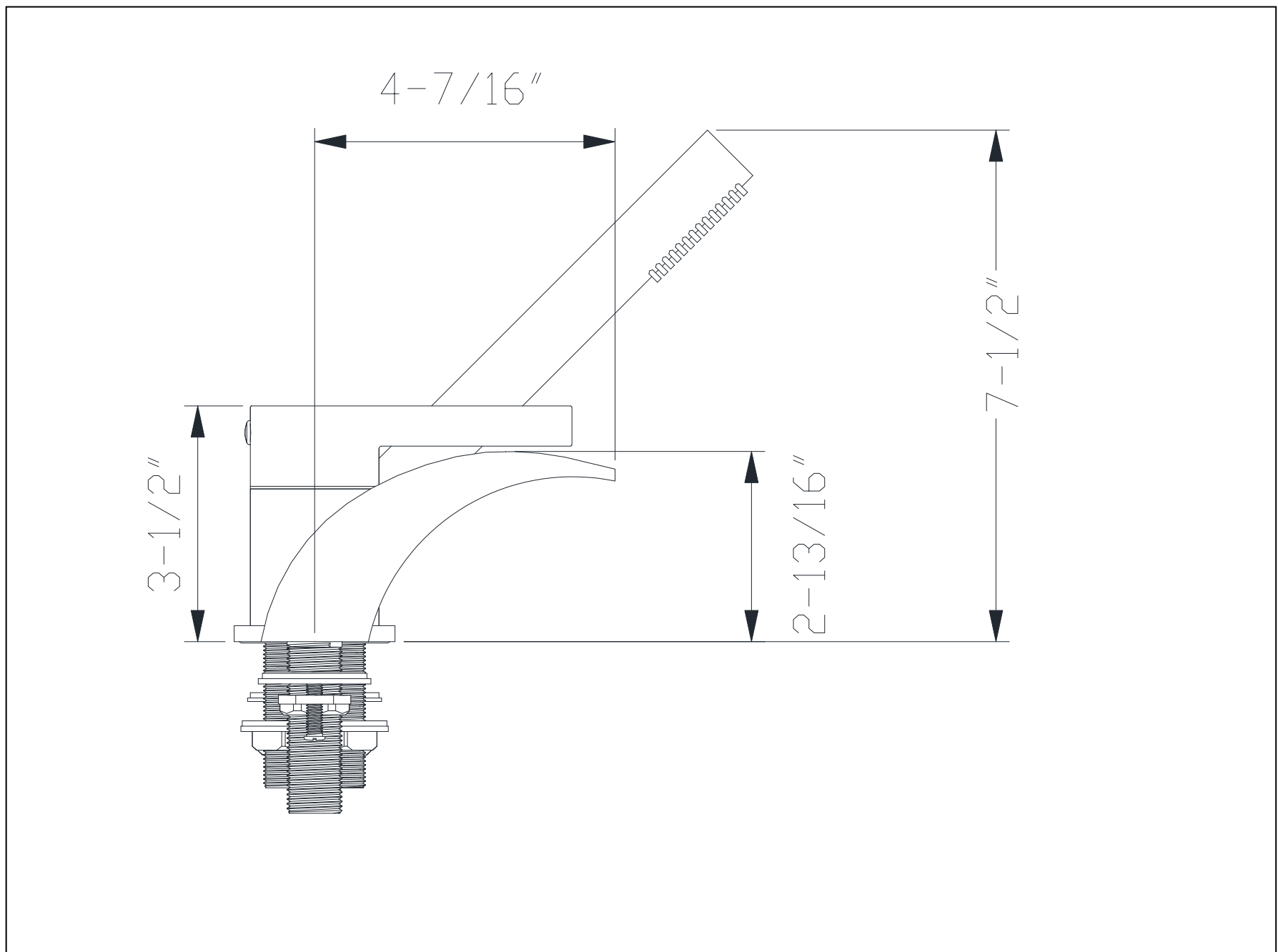
Function	Bathtub Faucets
Feature	Waterfall
Style	Contemporary
Finish	Chrome / Brushed Nickel / Matte Black / Brushed Gold/ Black & Brushed Gold
Mounting Type	Deck Mount
Installation Holes	Three
Number of Handles	One
Handle Type	Level
Spout Width	7-1/8 Inch
Spout Height	2-13/16 Inch
Hand Shower Height	7-1/2 Inch
Max Deck Thickness	1-25/32 Inch
Valve Type	Ceramic Disc Valve
Faucet Body Material	Brass
Faucet Spout Material	Stainless Steel
Hand Shower Included	Yes
Hand Shower Material	Brass
Net Weight	5.53 lbs
Gross Weight	6.72 lbs
Working Water Press	29~116PSI
Flow Rate	6.68GPM@60PSI
Packing Box Size	16-3/8Inch X 11-1/4Inch X 4-1/8Inch



DIMENSION



FRONT VIEW OF FAUCET



SIDE VIEW OF SPOUT

INSTALLATION STEPS

1. BEFORE PROCEEDING



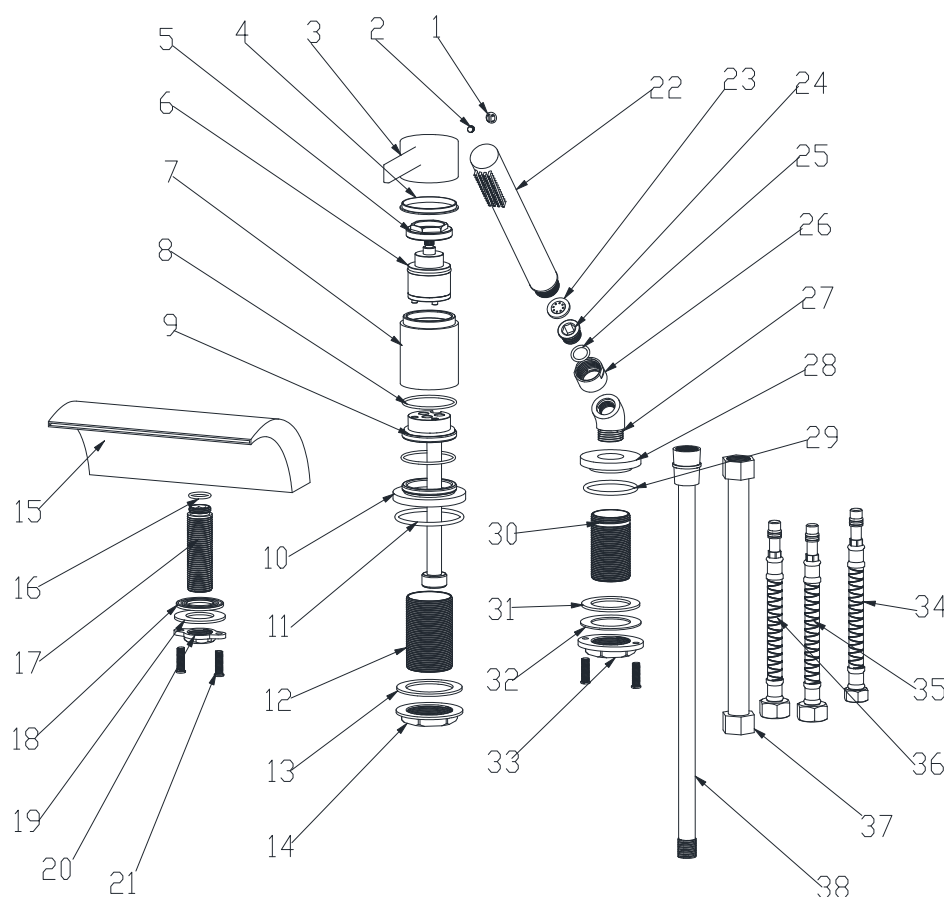
WARNING: Before beginning any installation or operation, read all instructions carefully. If you are unsure about installing this product, consult a licensed professional. This product must be installed in compliance with all applicable local and state plumbing and building codes. Professional assistance is strongly recommended.

2. SHUT OFF WATER SUPPLY

Locate the water supply inlets and turn off the corresponding water supply valves, typically located under the sink or near the water meter. If replacing an existing unit, remove the old unit and thoroughly clean the mounting surface to ensure proper installation

3. CHECKING THE CONTENTS OF THE BOX

Upon opening the box, verify that all the listed components are included.



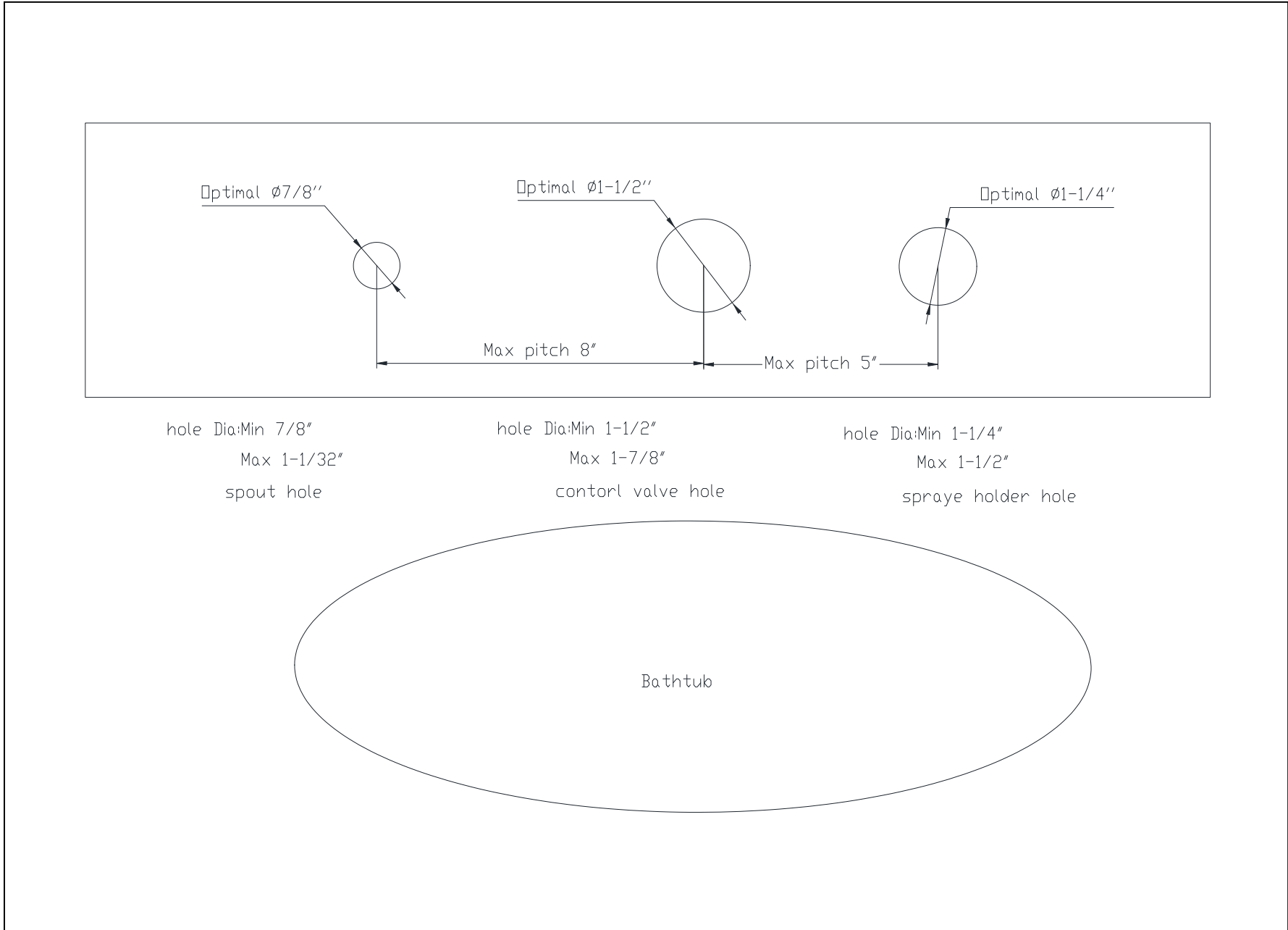
NO	ITEM NAME	MATERIAL	QTY	PART NO.	NO	ITEM NAME	MATERIAL	QTY	PART NO.
1	Screw Cover	PVC	1	PSA00004XX	20	G1/2" Lock Nut	SUS304	1	PNT00030XX
2	Set Screw	SUS304	1	PSC05051XX	21	Set Screw	HPB59-1	4	PSC00001XX
3	Handle(lever)	Zn Alloy No.3	1	PHD32400XX	22	Handheld Shower	SUS304	1	PHS32230XX
4	T-Washers	POM	1	PRW48452XX	23	Flow Restrictor	ASSEMBLE	1	PAE00035XX
5	Bonnet	HPB59-1	1	PSC38125XX	24	Water Level Fitting	ASSEMBLE	1	PCN21383XX
6	Water Mixture Cartridge	ASSEMBLE	1	PCT35001XX	25	O-Ring	HPB59-1	1	POR16020XX
7	Sleeve	ASSEMBLE	1	PSL21730XX	26	Elbow Nut	NBR	1	PNT21384XX
8	O-Ring	HPB59-1	2	POR45020XX	27	Elbow	HPB59-1	1	PCN21382XX
9	Cartridge Seat	NBR	1	PEC21731XX	28	Hand Shower Holder	HPB59-1	1	PHH21380XX
10	Valve Seat	HPB59-1	1	PEC21730XX	29	O-Ring	HPB59-1	1	POR45030XX
11	O-Ring	HPB59-1	1	POR57030XX	30	Shank	NBR	1	PNT00011XX
12	Cartridge Shank	NBR	1	PNT00045XX	31	Rubber Washer	SUS304	1	PRW48322XX
13	Rubber Washer	SUS304	1	PRW54392XX	32	Mounting Gasket	NBR	1	PRW50401XX
14	M32x1.5 Lock Nut	NBR	1	PNT00046XX	33	Lock Nut	SUS304	1	PNT00022XX
15	Spout	HPB59-1	1	PSP20910XX	34	Pull-out Hose	SUS304	1	PFH00086XX
16	O-Ring	SUS304	1	POR18020XX	35	Blue Supply Hose	ASSEMBLE	1	PFH00002XX
17	Spout Shank	NBR	1	PCN20910XX	36	Red Supply Hose	ASSEMBLE	1	PFH00001XX
18	G1/2" Rubber Washer	HPB59-1	1	PRW39222XX	37	G1/2" hose	ASSEMBLE	1	PFH00020XX
19	G1/2" Mounting Gasket	NBR	1	PRW42232XX	38	Shower Hose	ASSEMBLE	1	PFH00016XX

If any of these items are missing, please contact SUMERAIN consumer service by email to: [support@sumerain.com](mailto:supports@sumerain.com).

4. INSTALLATION HOLES INSPECTION

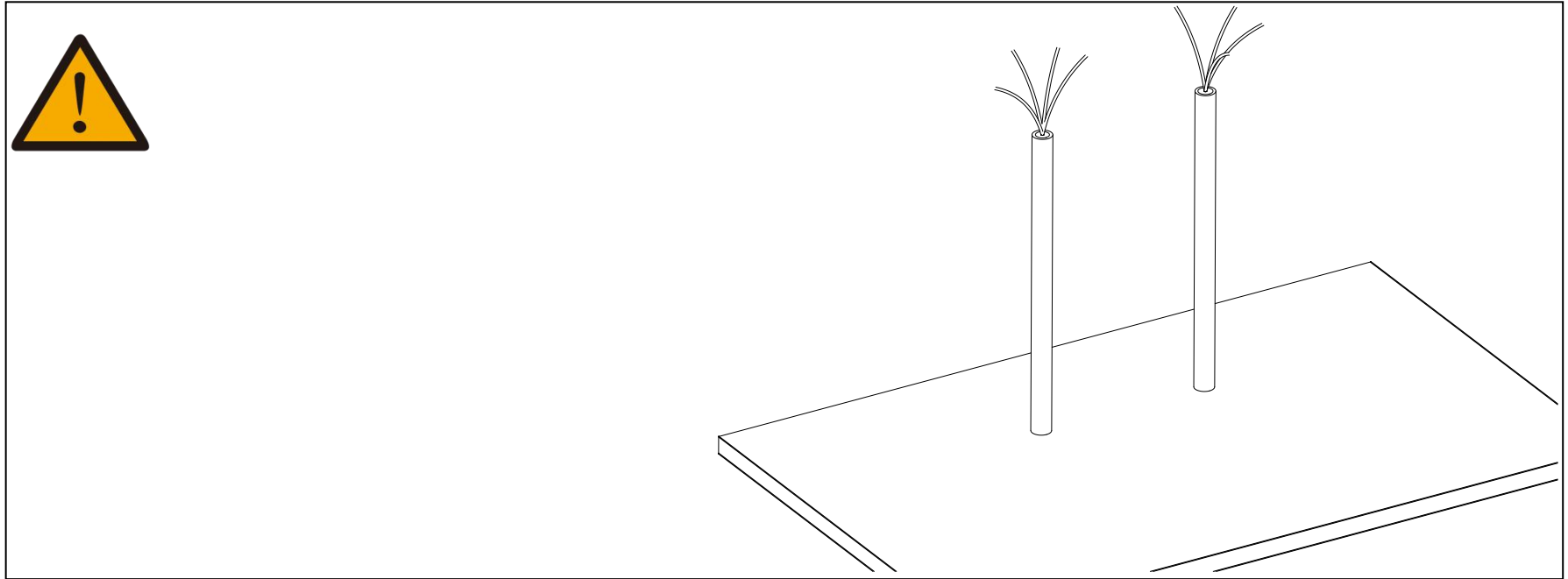


Ensure that the holes in the wall are of the correct size and properly located. The valve mounting holes should have a diameter of 1-1/2 inches, the outlet holes should have a diameter of 7/8 inches, the hand shower mounting holes should have a diameter of 1-1/4 inches, and the deck should not exceed a maximum thickness of 1-25/32 inches.

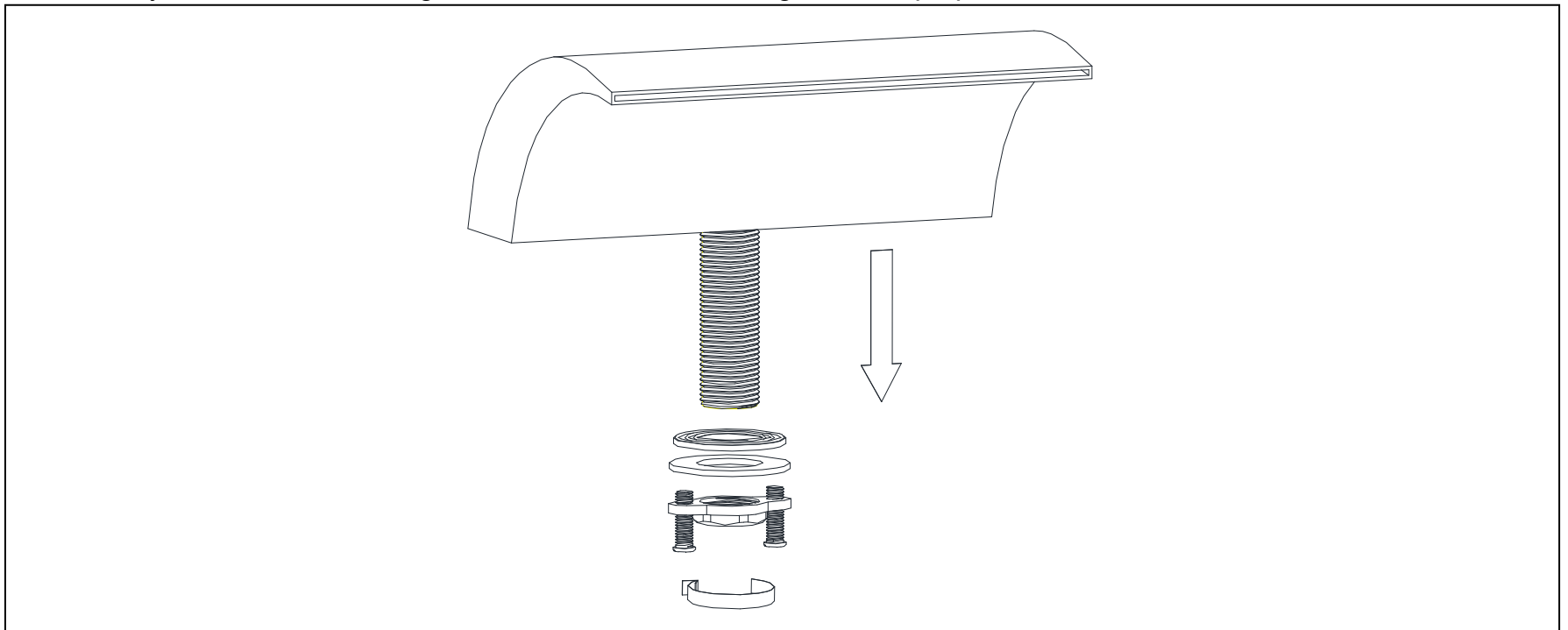


5. INSTALLATION

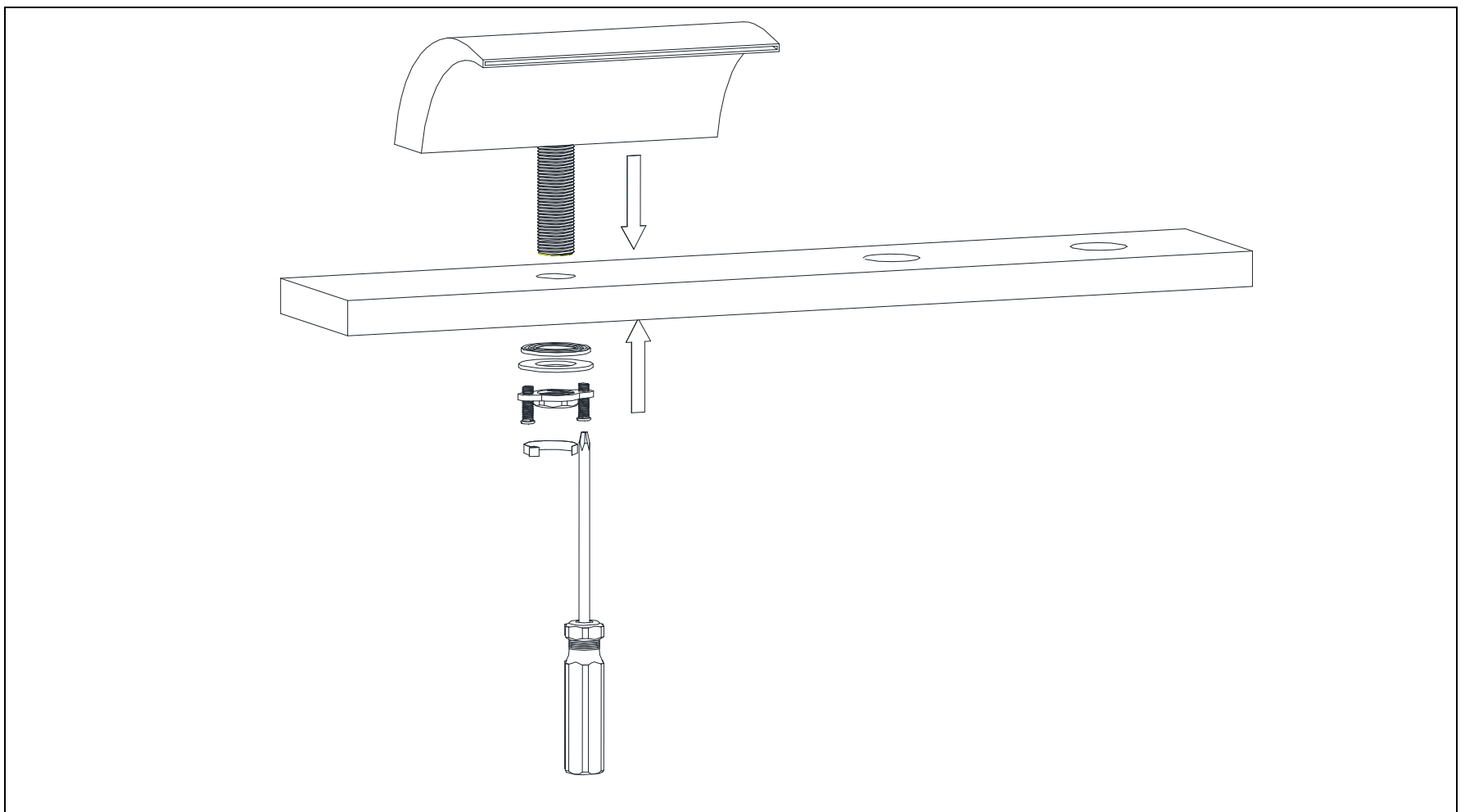
5.1 Turn on the shut-off valve to flush the hot and cold water supply pipes before connecting the faucet. Allow the water to run for 3-5 minutes to remove dirt and debris. Once finished, turn off the water supply.



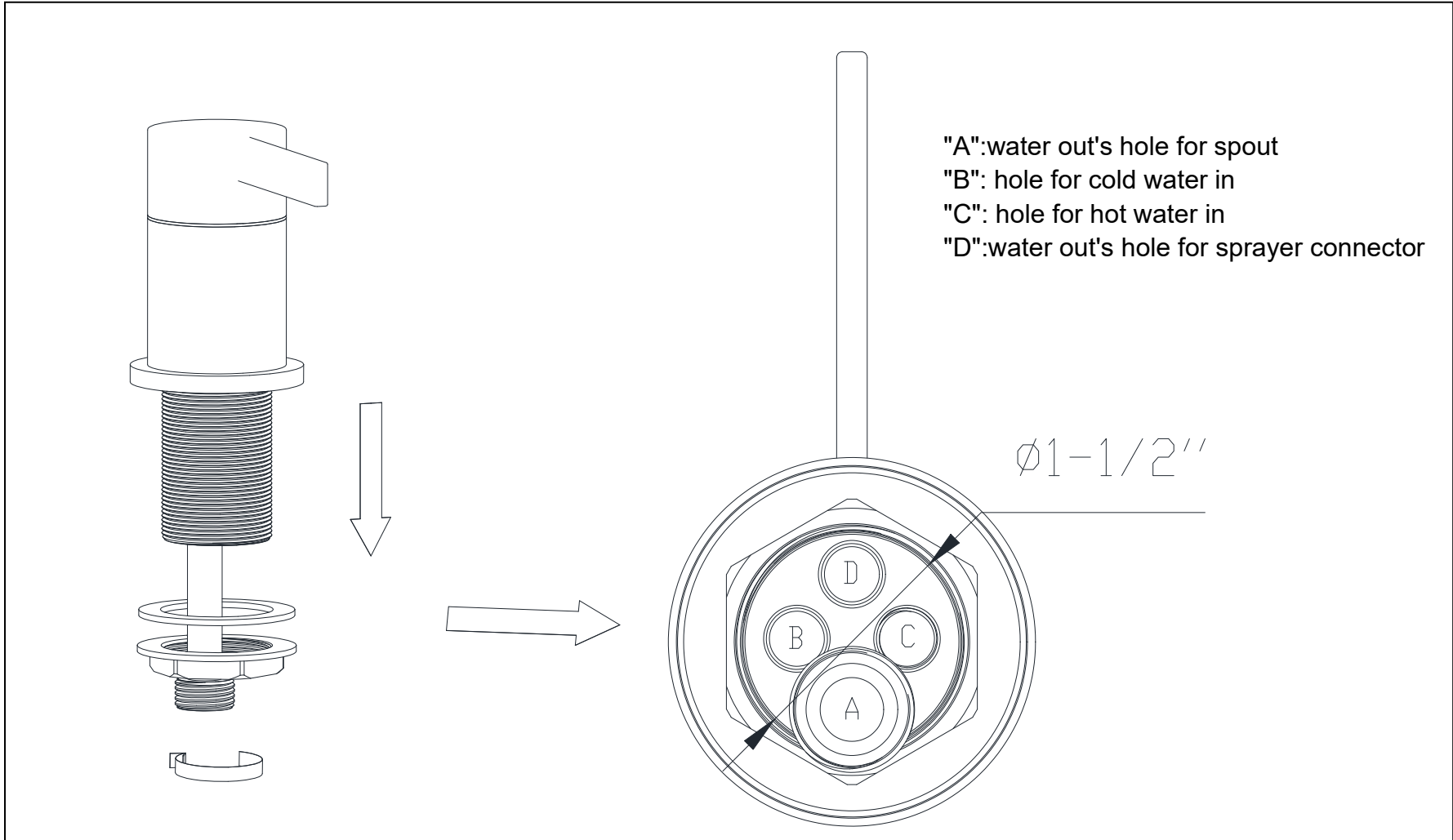
5.2 Carefully remove the mounting hardware from the mounting shank to prepare for installation.



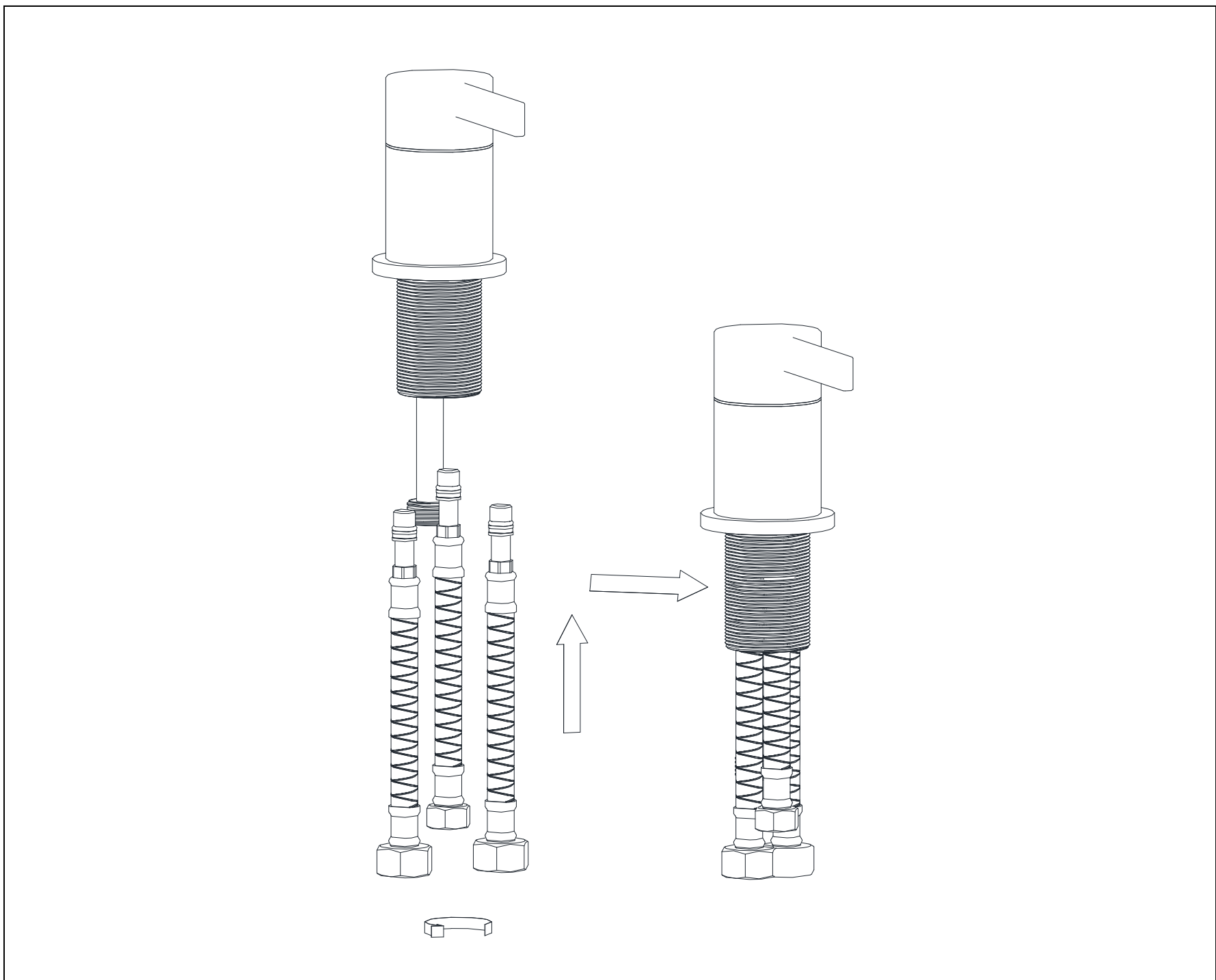
5.3 Position the spout with the shank onto the mounting surface, place the rubber washer onto the spout shank, and secure it with the spout shank lock nut using a wrench from underneath.



5.4 Remove the mounting hardware from the mounting shank. Attach the hoses to the bottom of the control valve as shown in the illustration below.

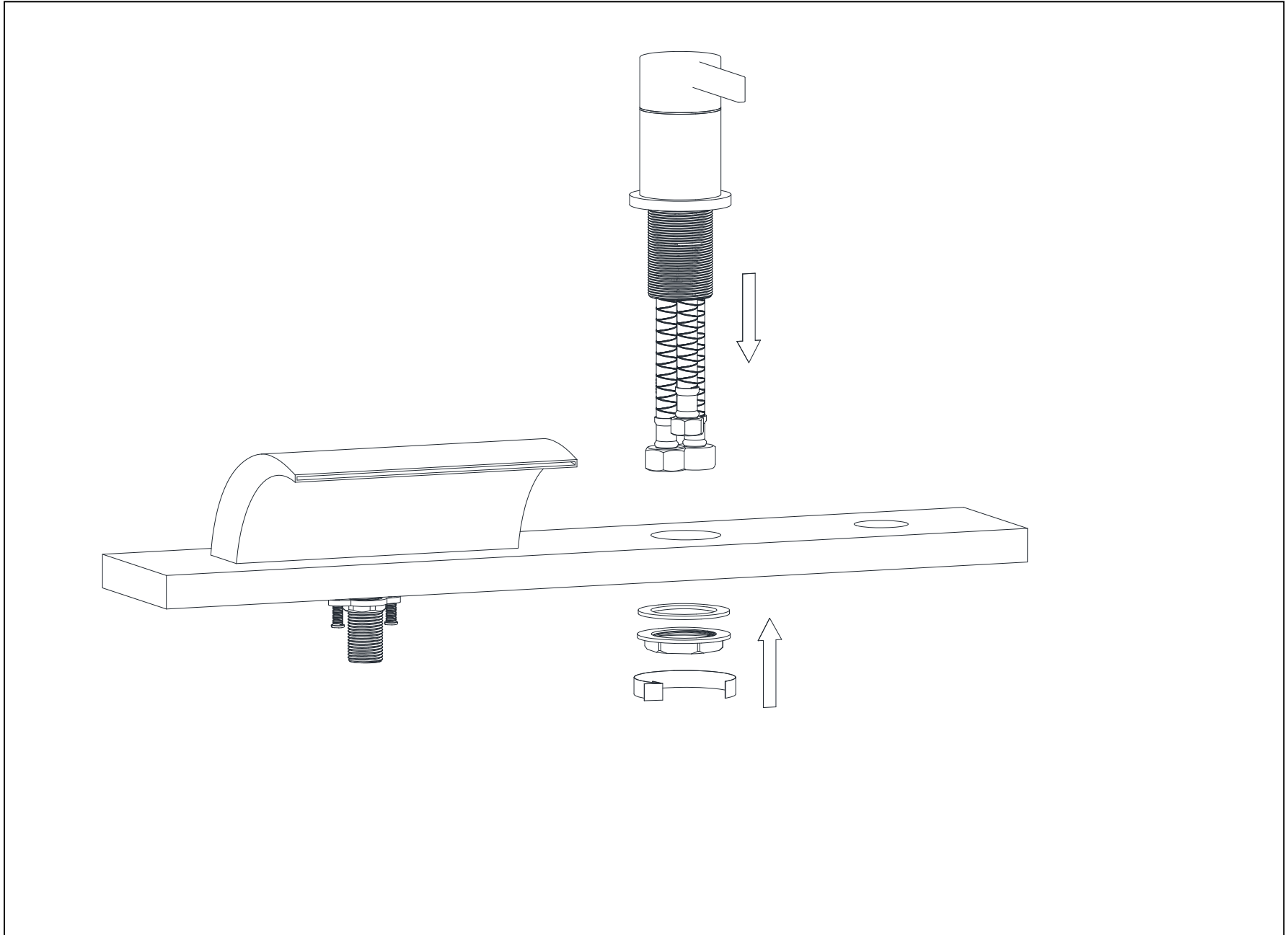


Bottom view of control valve

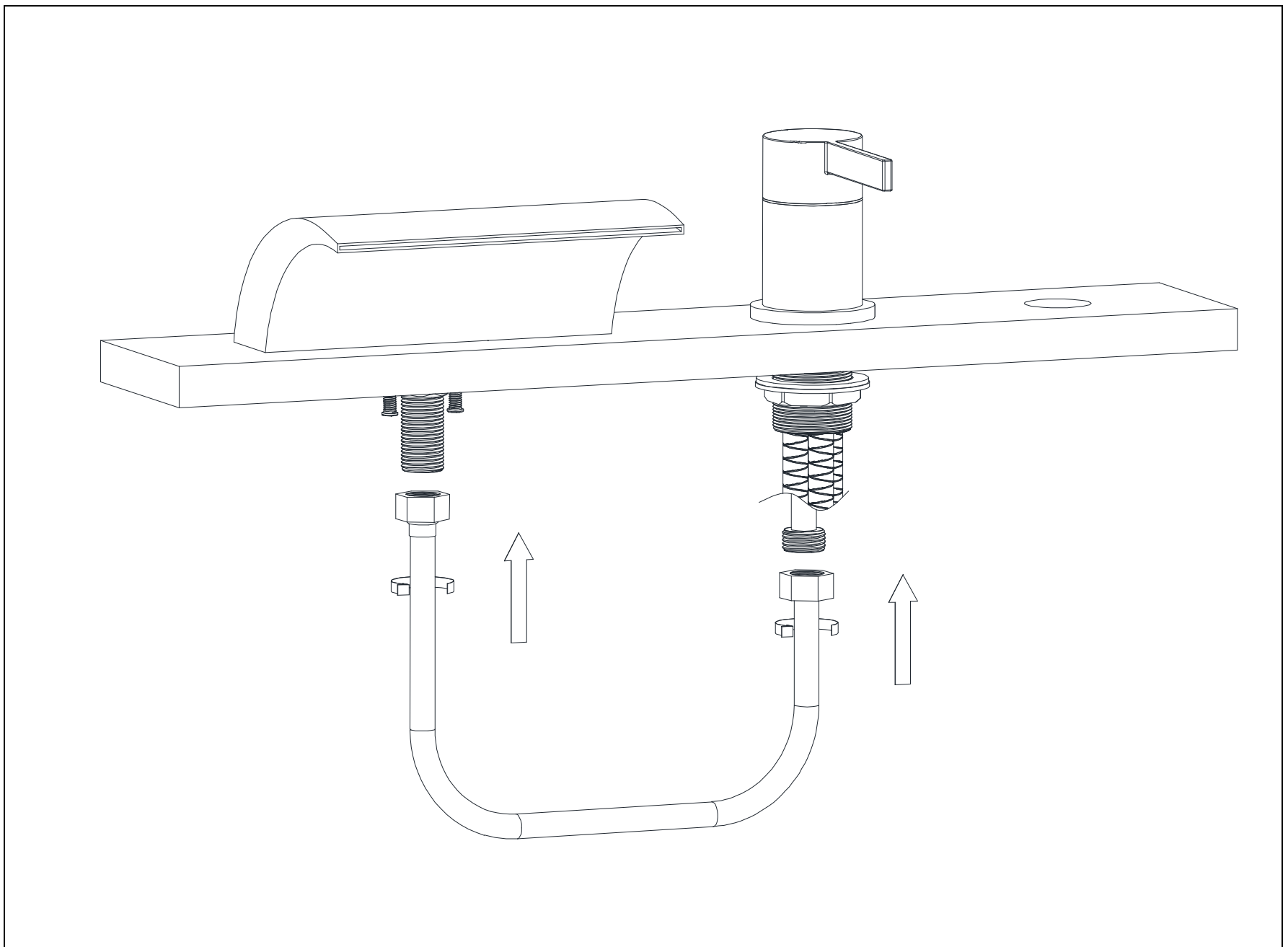


Hoses connection

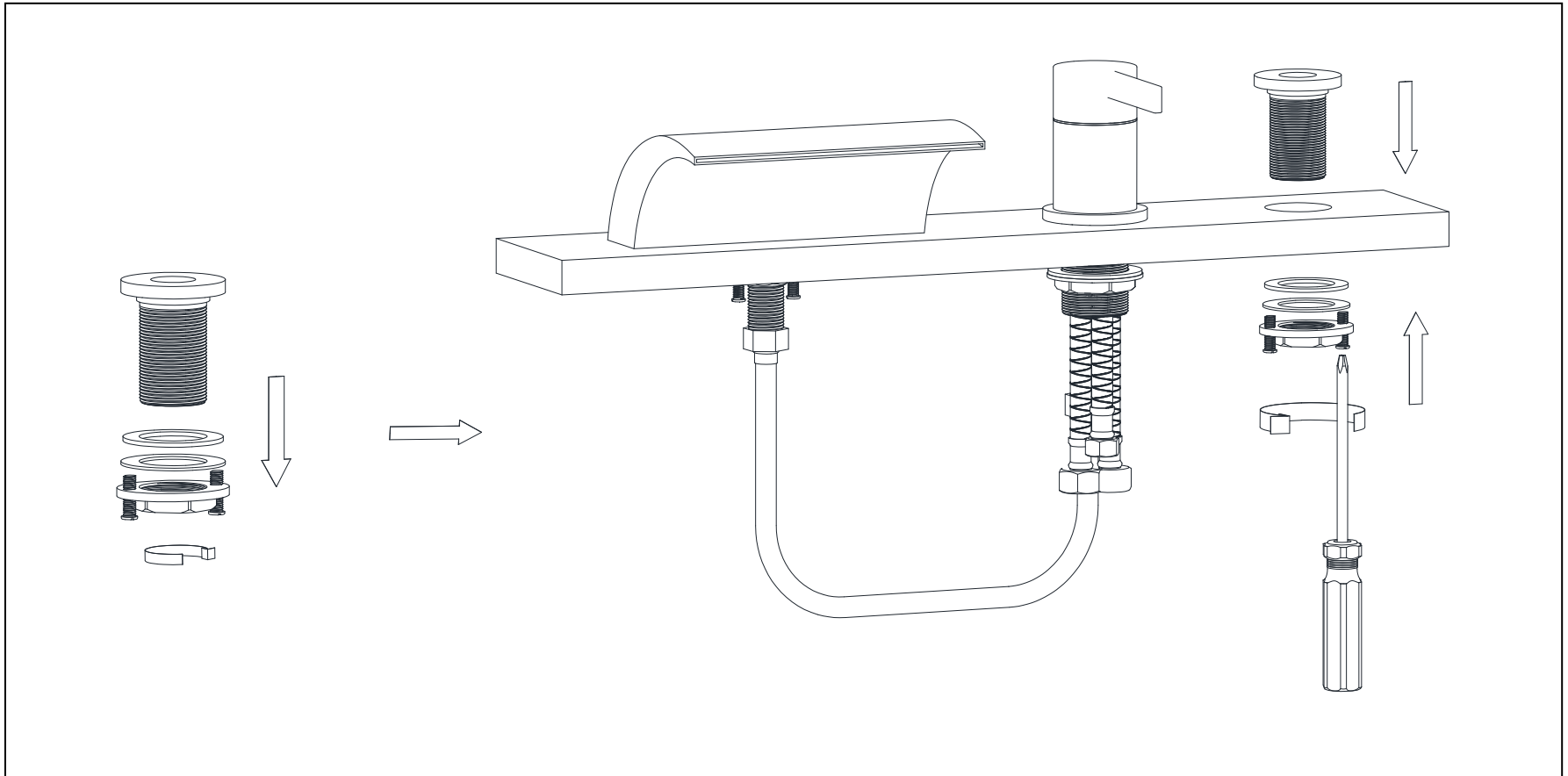
5.5 Position the control valve with hoses onto the mounting surface, and secure it using a lock nut tightened with a screwdriver.



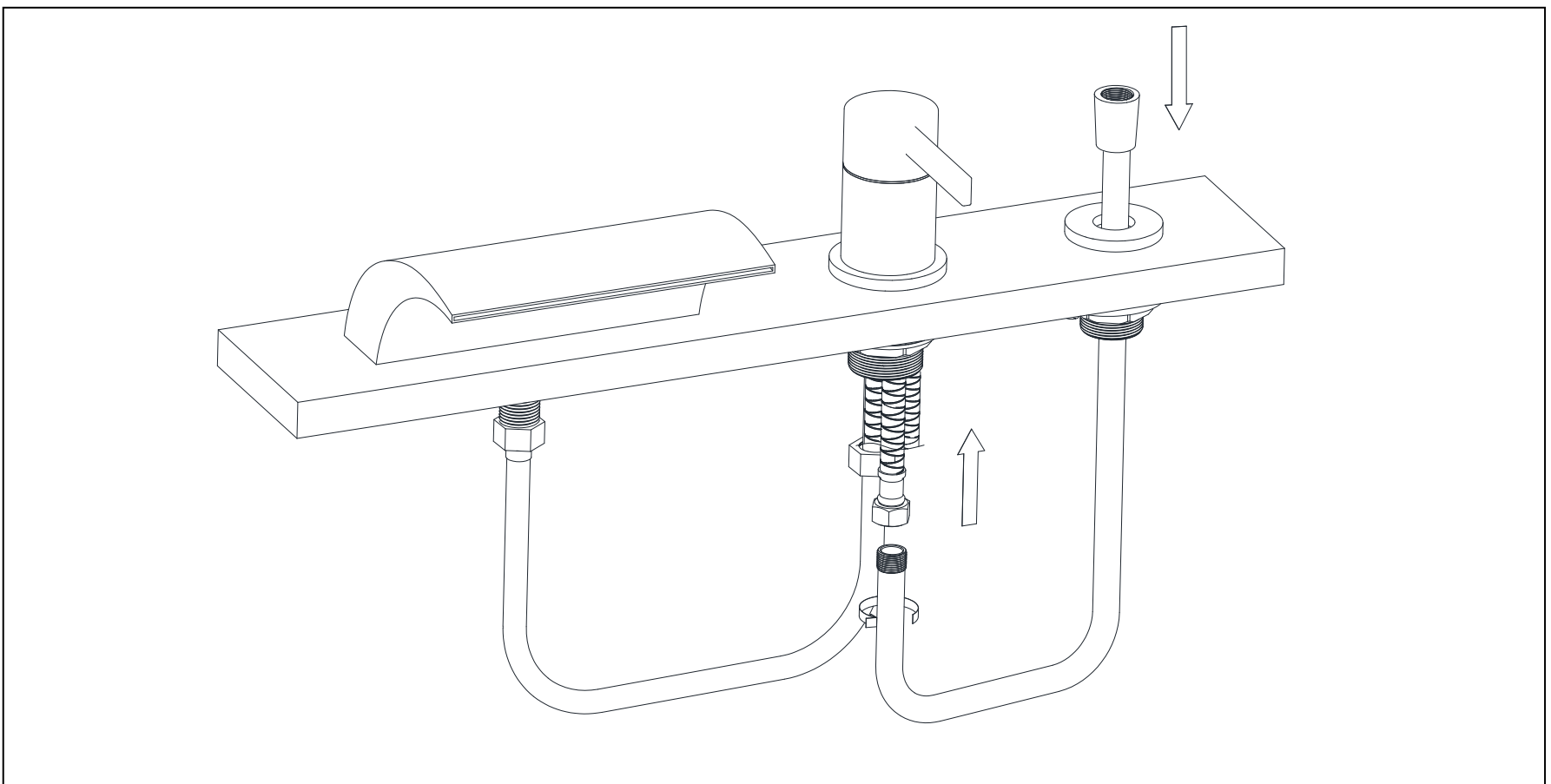
5.6 Connect the hose to the spout shank as below drawing.



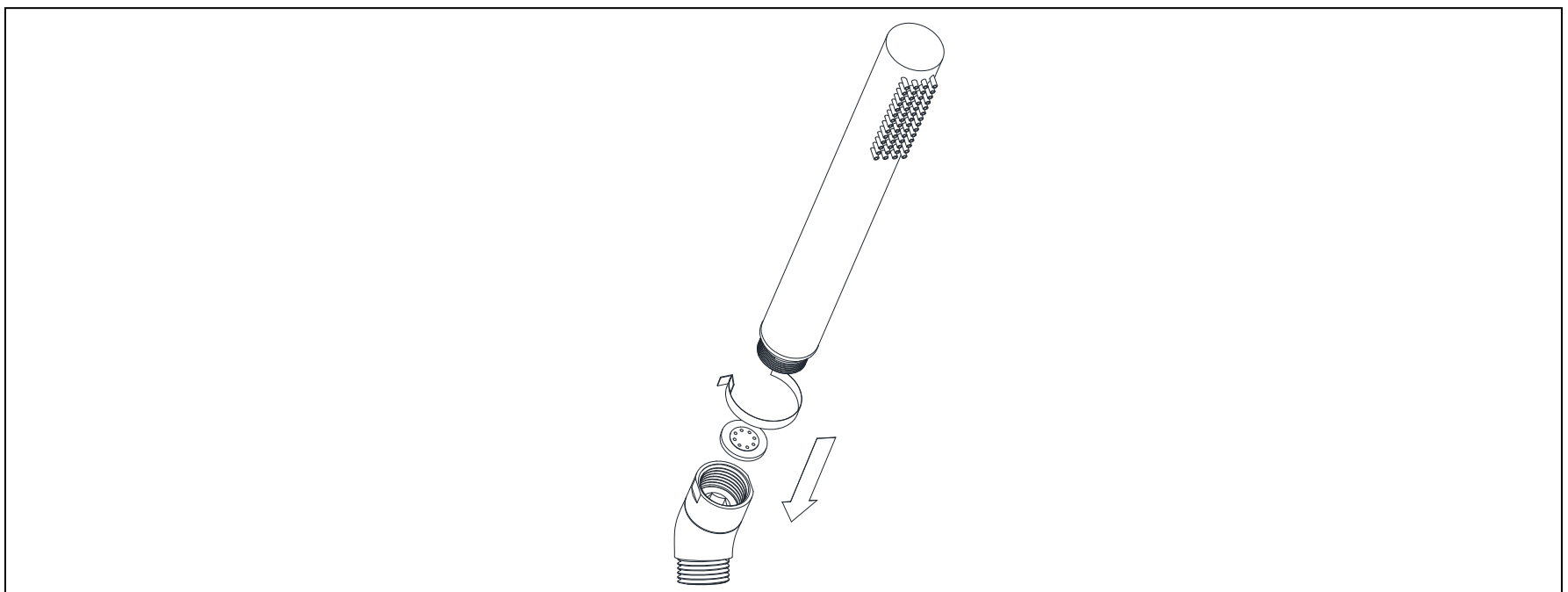
5.7 Remove the mounting hardware from the mounting shank. Install the spray support assembly as shown below. Tighten the rubber washer and secure it with the lock nut from underneath.



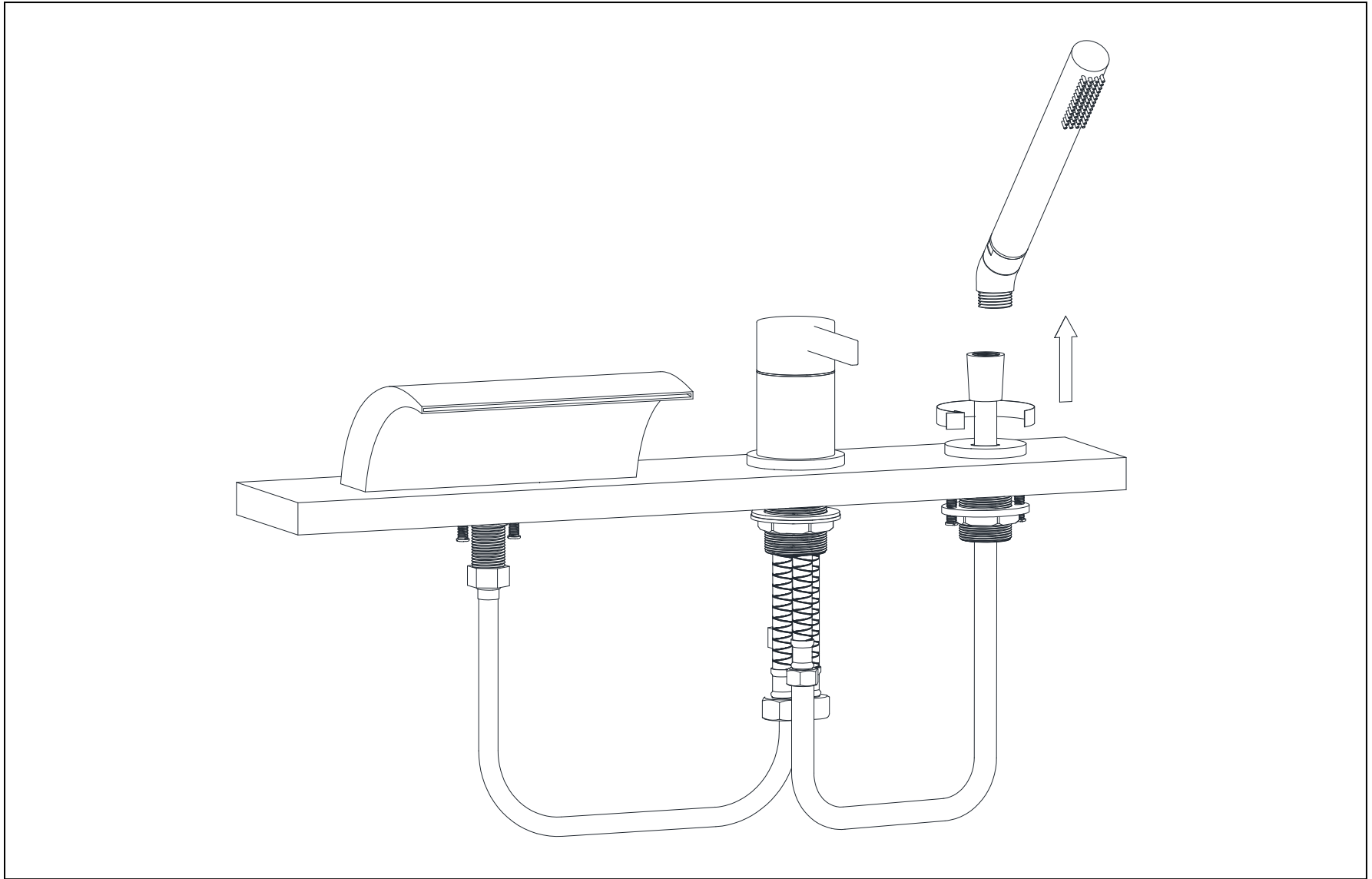
5.8 Pass the sprayer hose through the center hole of the sprayer holder as shown in the diagram below. Then, connect the shower hose to the extender hose on the control valve as illustrated.



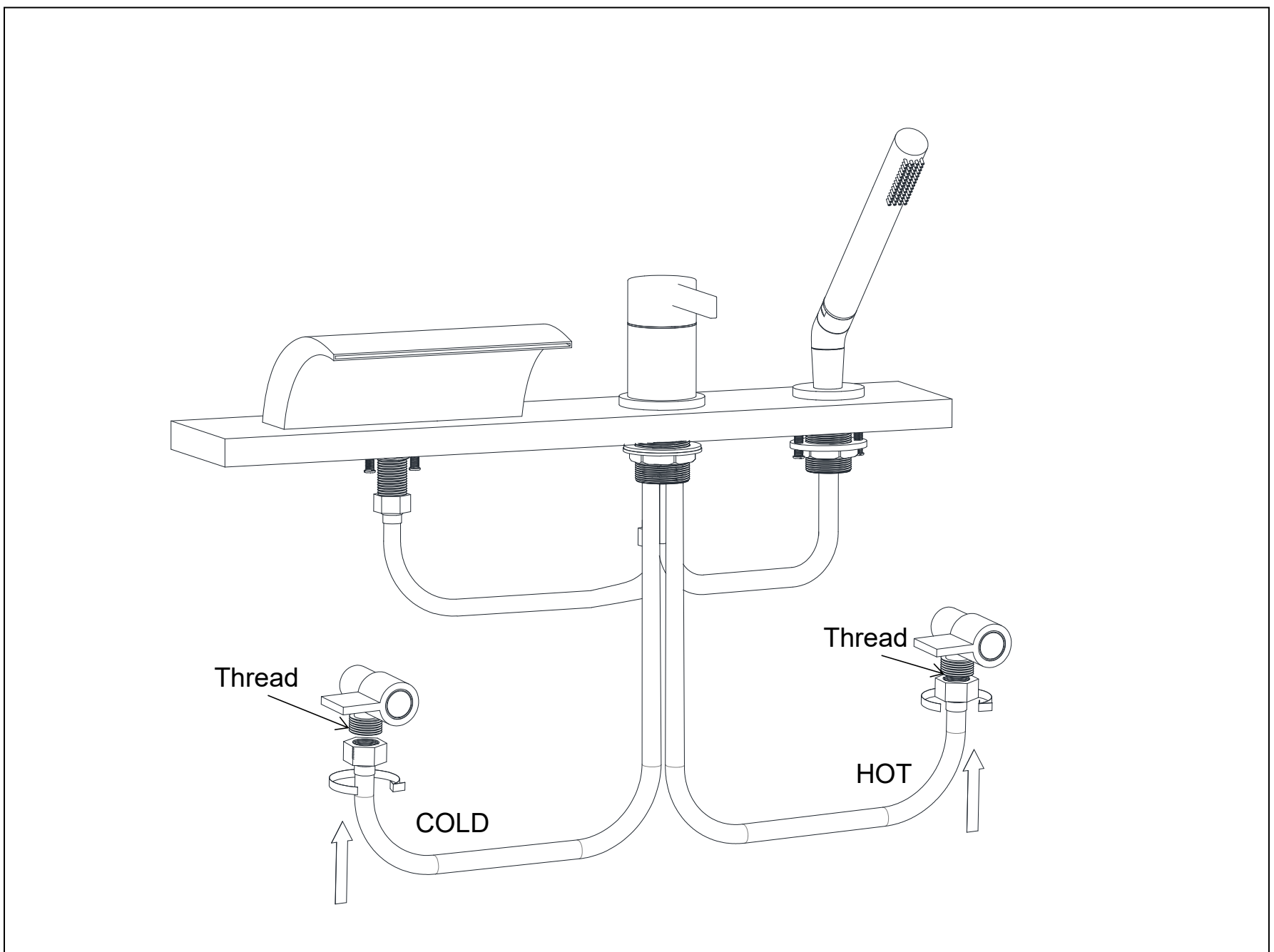
5.9 Screw the hand shower onto the hand shower adapter, ensuring the rubber washer is properly placed to prevent leaks.



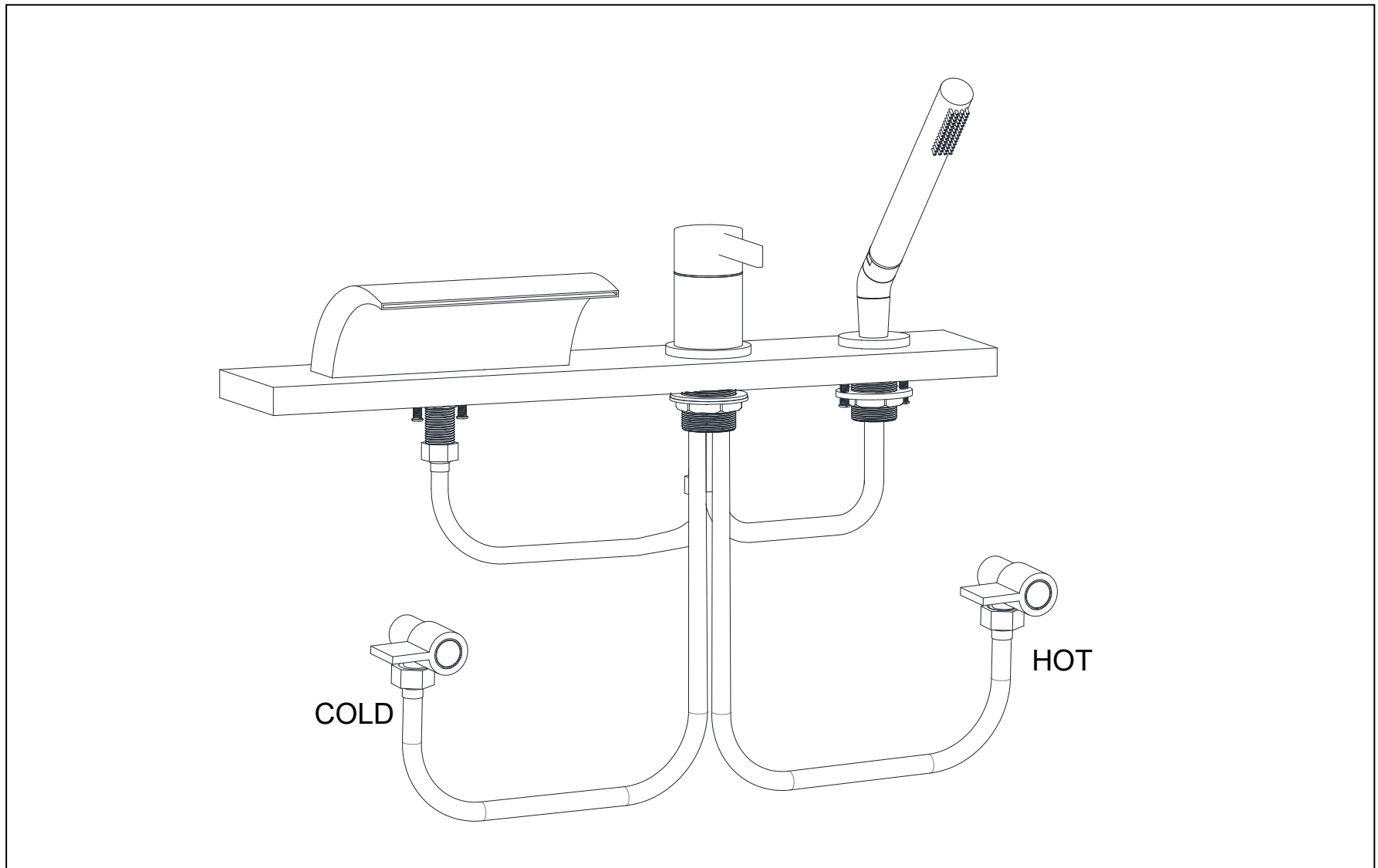
5.10 Attach the hand shower to the end of the shower hose, ensuring it is properly aligned.



5.11. Connect all components using the flexible hose, ensuring each connection is secure.
Thread Specifications: For U.S. and Canada: 3/8" Comp.



5.12 ASSEMBLY COMPLETE.

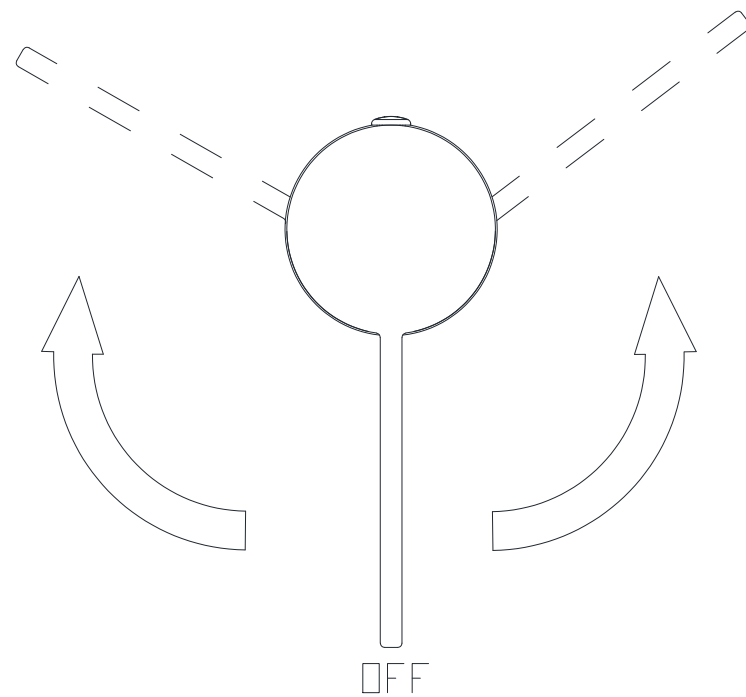


6. INSPECTION

6.1 Turn on the hot and cold water supplies and check all connections to ensure there are no leaks.

7. Instructions for using the faucet.

(1) Turning the handle clockwise directs water to the spout. The water temperature transitions from cold to warm and finally to hot, with the flow rate increasing and then decreasing. Similarly, turning the handle counterclockwise directs water to the hand-held shower outlet, following the same pattern of temperature and flow rate changes.



INSTALLATION COMPLETED

CLEARNING RECOMMENDATION FOR SUMERAIN PRODUCTS

Modern lavatory faucets, kitchen faucets, and showers are crafted from a variety of materials to meet the market's demands for both design and functionality. To prevent damage and reduce the likelihood of returns, it is essential to follow the recommended cleaning guidelines.

Cleaning Materials for faucets & showers

When cleaning faucets and showers, it is essential to follow these professional guidelines:

- Use acidic cleaning agents specifically formulated for lime removal.
- Only use cleaning products designed for this purpose to avoid damage.
- Do not use cleaning agents containing hydrochloric, formic, phosphoric, or acetic acid, as these can cause severe damage to the surface.
- Never mix different cleaning agents, as this may lead to harmful chemical reactions.
- Avoid abrasive cleaning products or tools, such as unsuitable cleaning powders, rough sponge pads, or microfiber cloths that could harm the finish.

Cleaning instructions for faucets & showers

Please follow the cleaning material manufacturer's instructions carefully. Additionally, observe the following guidelines to maintain your faucets and showers:

- Clean faucets and showers regularly as needed to preserve their optimal function and appearance.
- Use the recommended amount of cleaning product and apply it for the specified duration. Avoid leaving the cleaner on the surface longer than necessary to prevent potential damage.
- Regular cleaning helps prevent calcification. For scale deposits on faucet surfaces or spouts, use a commercial descaler such as Lime-Away® or CLR®.
- If rust forms due to hard water, gently remove it by rubbing the affected area with aluminum foil soaked in water until smooth. Then, apply a small amount of chrome polish or an appropriate product like automotive wax (e.g., Meguiar's® or Turtle Wax®) to restore the finish.
- Solid stainless steel faucets and spouts, especially waterfall designs, usually lack a protective coating. While stainless steel resists tarnishing, it can oxidize over time. Keep stainless steel fixtures clean and dry, and use a stainless steel-specific cleaner such as Weiman® or CLR® for proper maintenance.
- When using spray cleaners, apply the product to a soft cloth or sponge first instead of spraying it directly onto the faucet. This prevents water droplets from entering the faucet openings and causing damage.
- After cleaning, rinse all surfaces thoroughly with clean water to remove any cleaner residue.

Important

Residues from liquid soap, shampoo, and shower gel can contribute to surface damage over time. To prevent this, thoroughly rinse these substances off with clean water after each use.



Note: If the surface is already damaged, using cleaning materials may worsen the damage.

Components with damaged surfaces must be replaced to prevent potential injury.

Please note that any damage caused by improper use, maintenance, or cleaning is not covered under the warranty.

SUMERAIN®

SUMERAIN INTERNATIONAL GROUP INC

Address: 1226 NORTH KING ST NUM 522
WILMINGTON, DE 19801
United States

Tel: +1(866)203-0866

Web: <http://www.sumerain.com>

E-mail: supports@sumerain.us

HONGKONG SUMERAIN SANITARY INDUSTRY CO., LIMITED

Address: FLAT/RM 3B 3/F BANK TOWER
NOS.351&353 KING'S ROAD
NORTH POINT
HK

Tel: +86-750-2731579

E-mail: supports@sumerain.com

SUMERAIN EUROPE SUPPORT

Address: Flottwellstr.15
10785 Berlin,
Deutschland

Tel: +49 (0)30/23975898

E-mail: de@sumerain.com