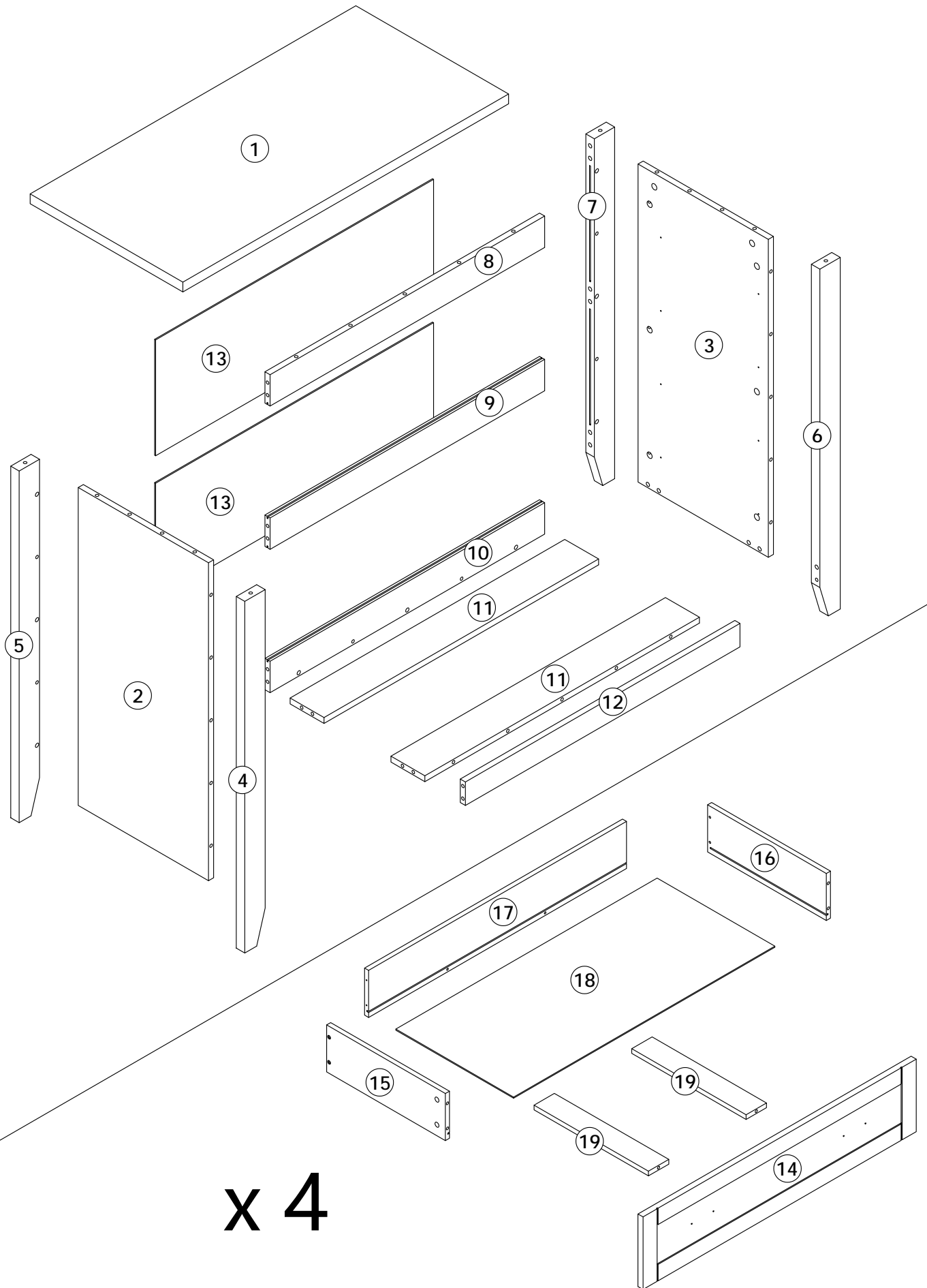


Installation & Assembly



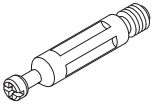
Parts List



x 4

Hardware

A x 47sets

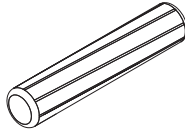


A1



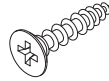
A2

B x 24pcs



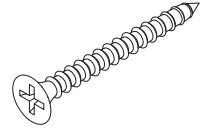
Φ8x40

C x 44pcs



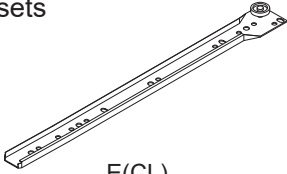
Φ3.5x14

D x 24pcs

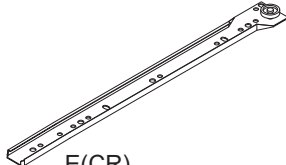


Φ3.5x35

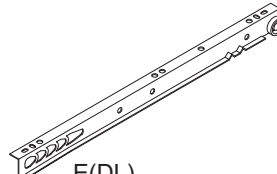
E x 4sets



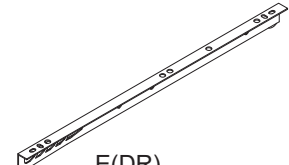
E(CL)



E(CR)

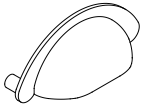


E(DL)



E(DR)

F x 8pcs



G x 24sets



G1



G2

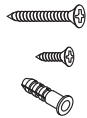
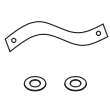
H x 12pcs



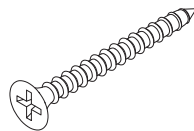
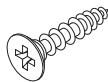
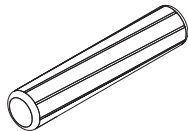
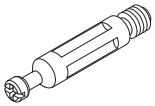
J x 4pcs



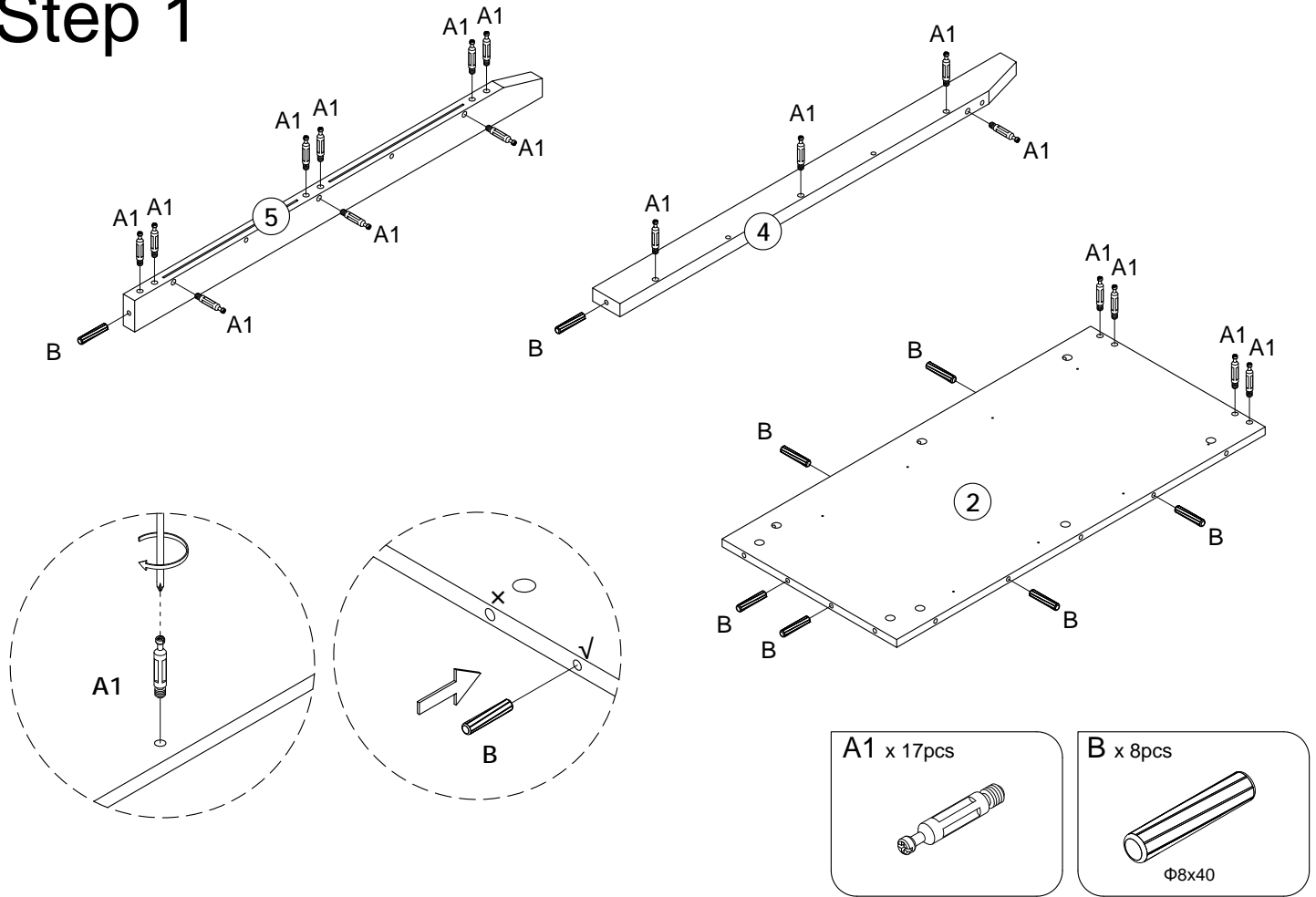
K x 2sets



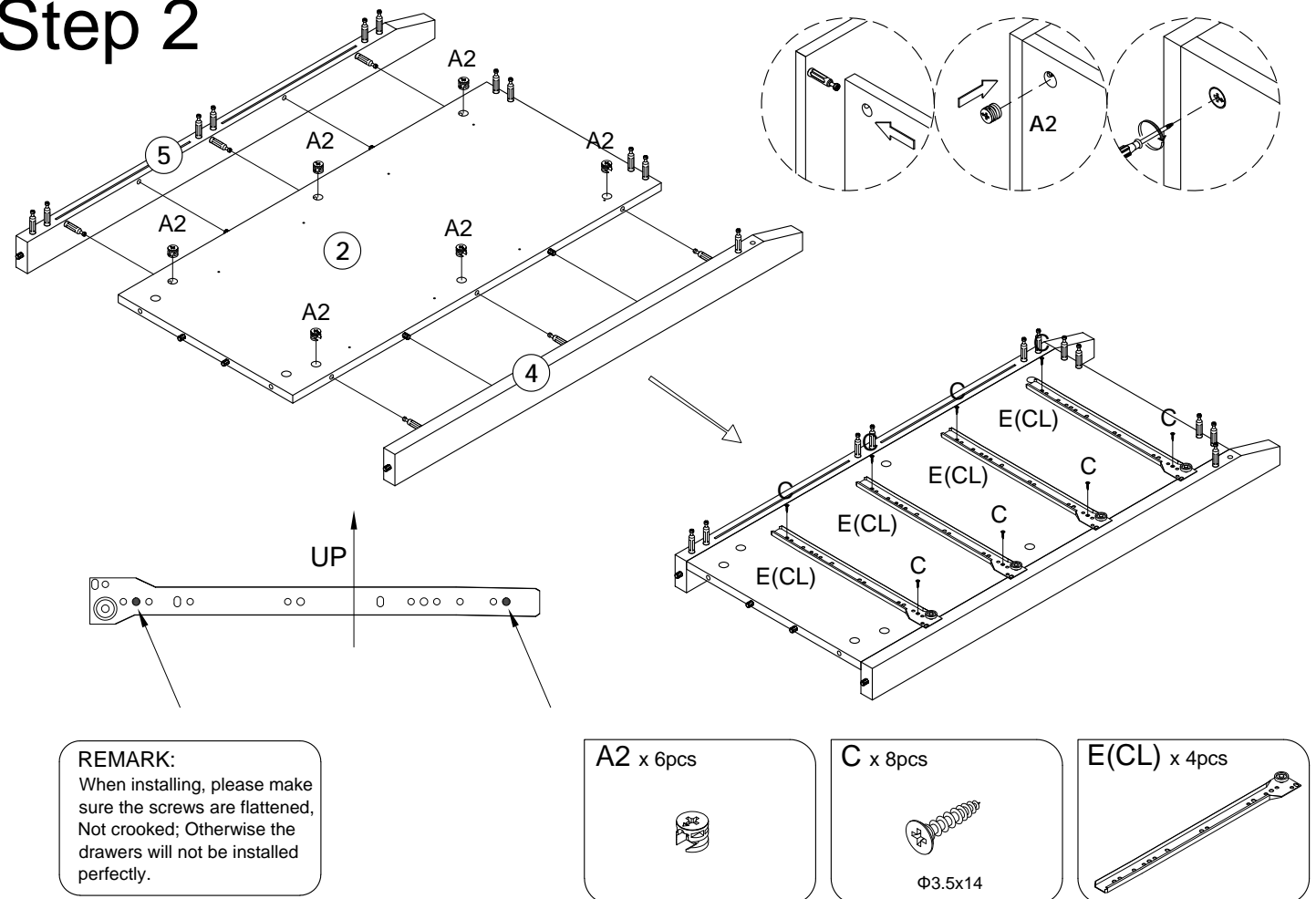
R



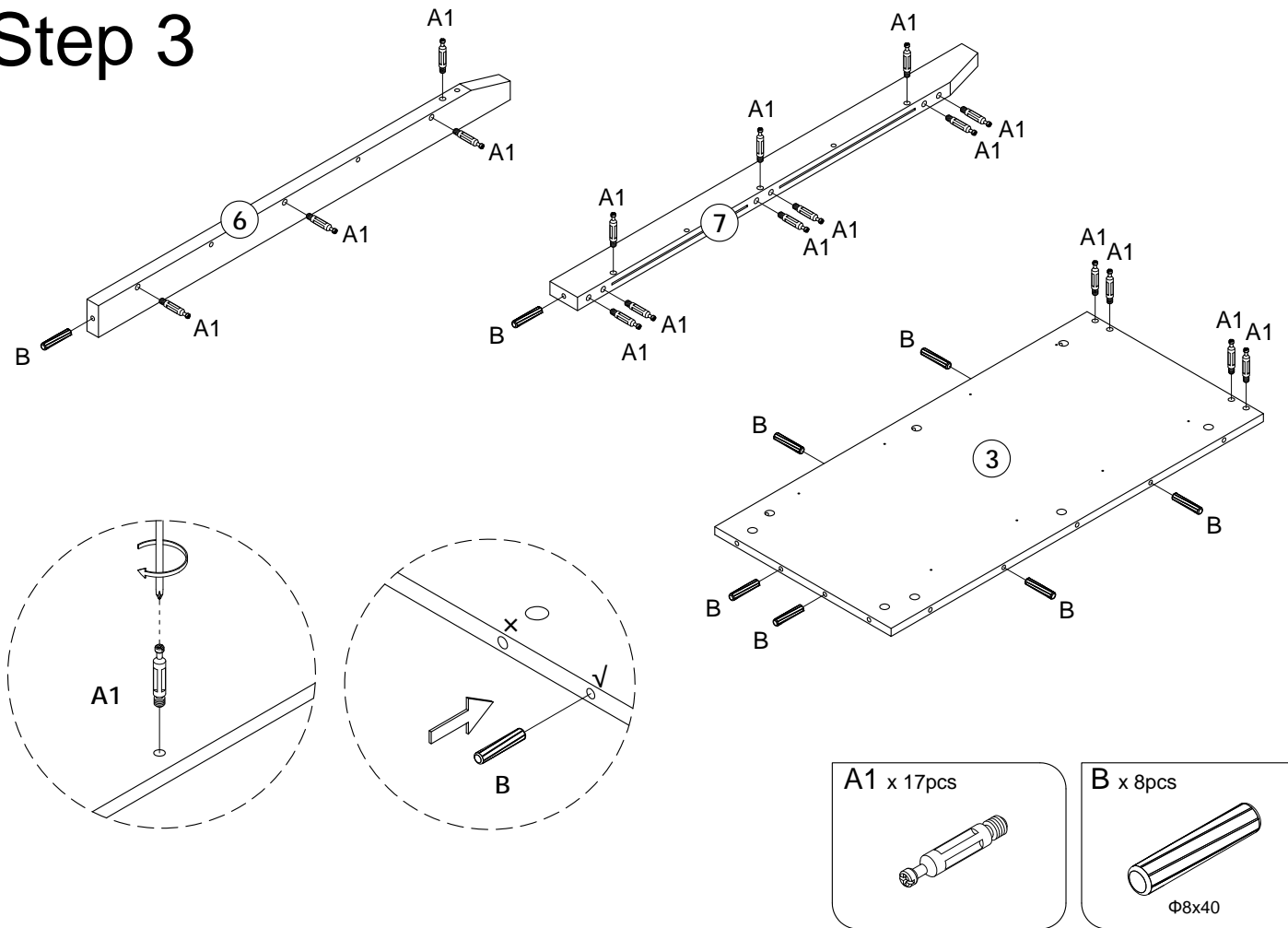
Step 1



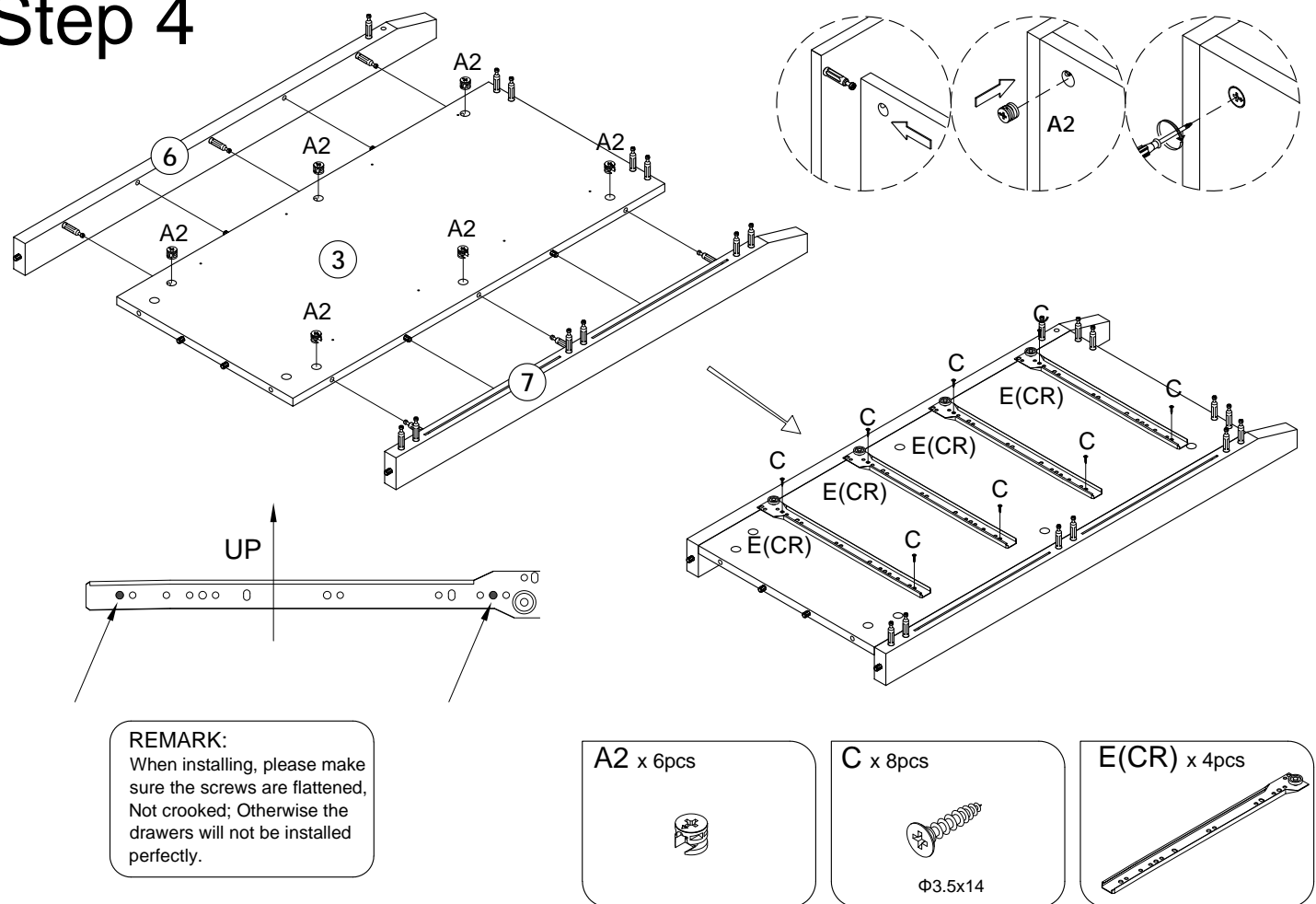
Step 2



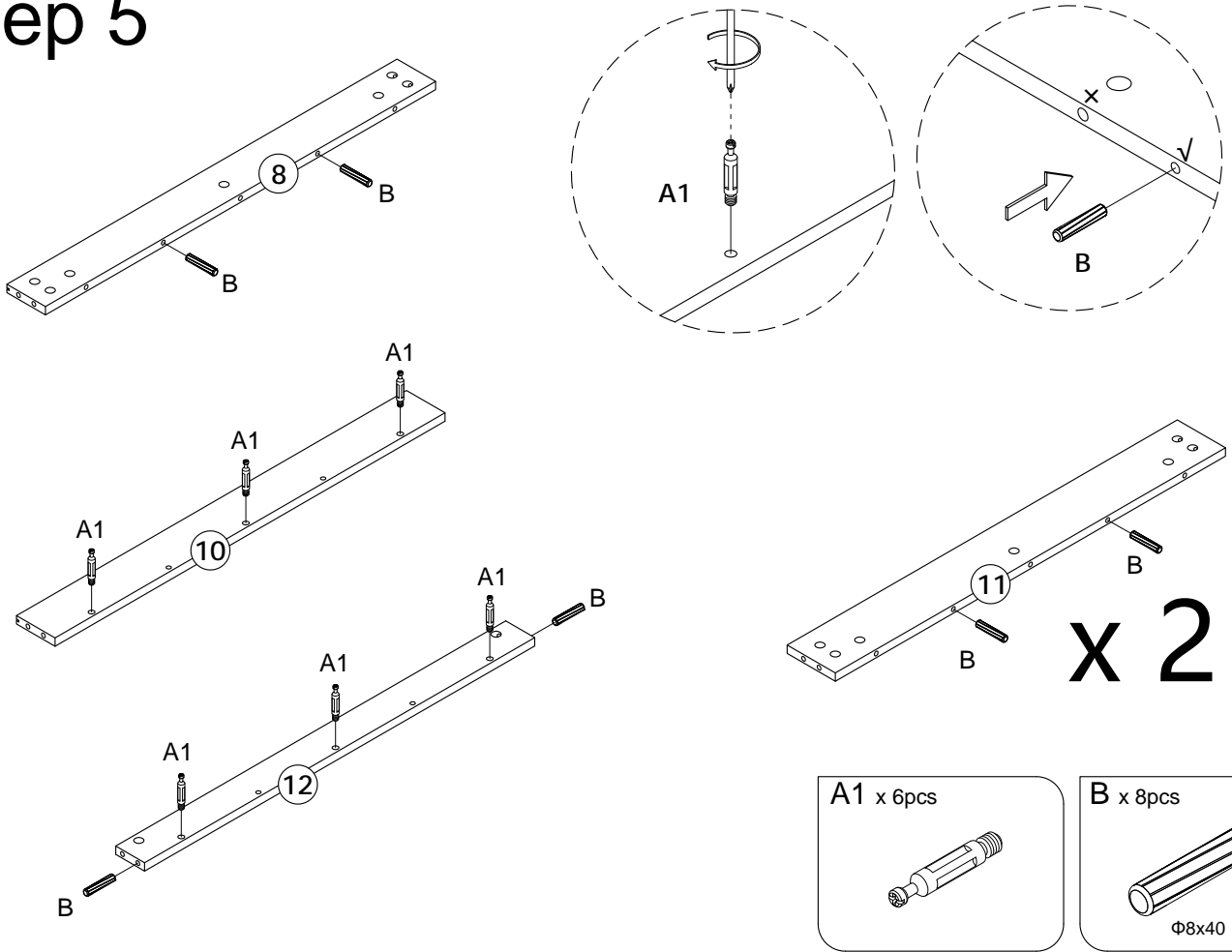
Step 3



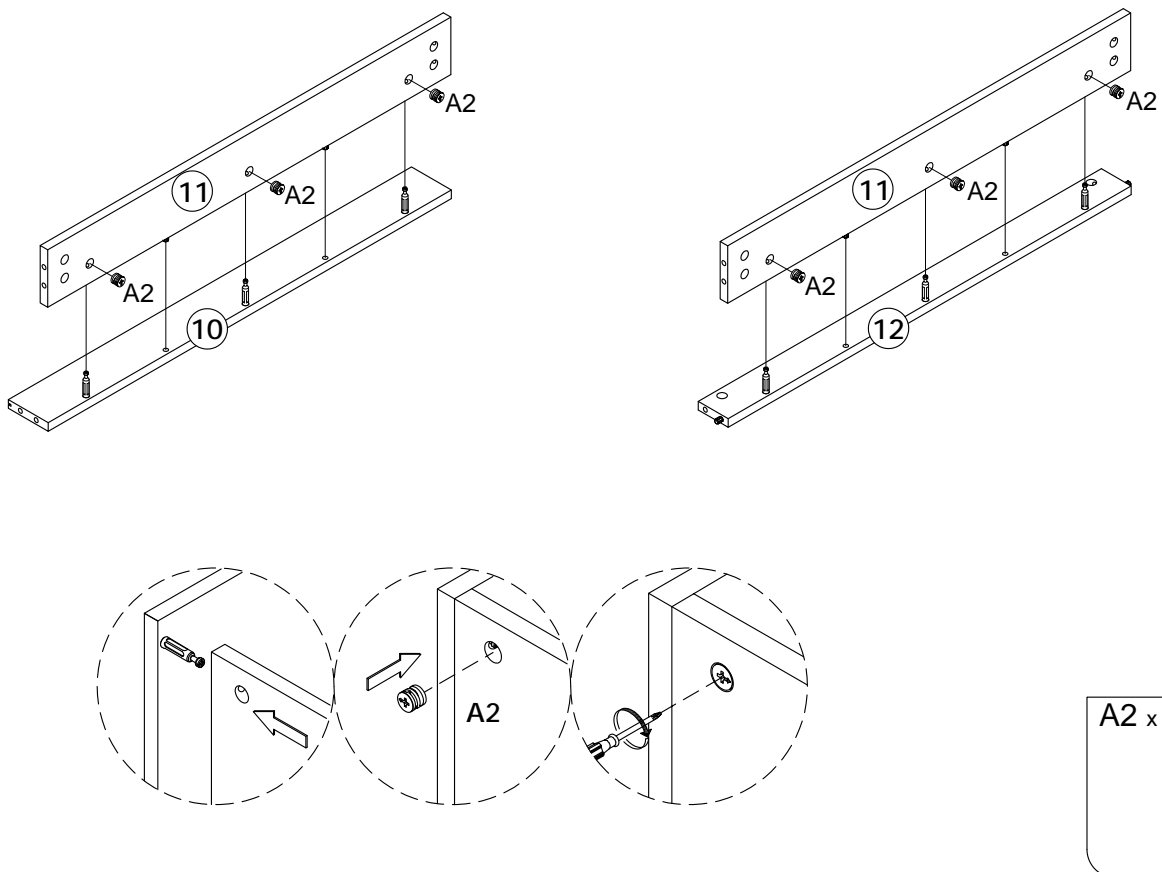
Step 4



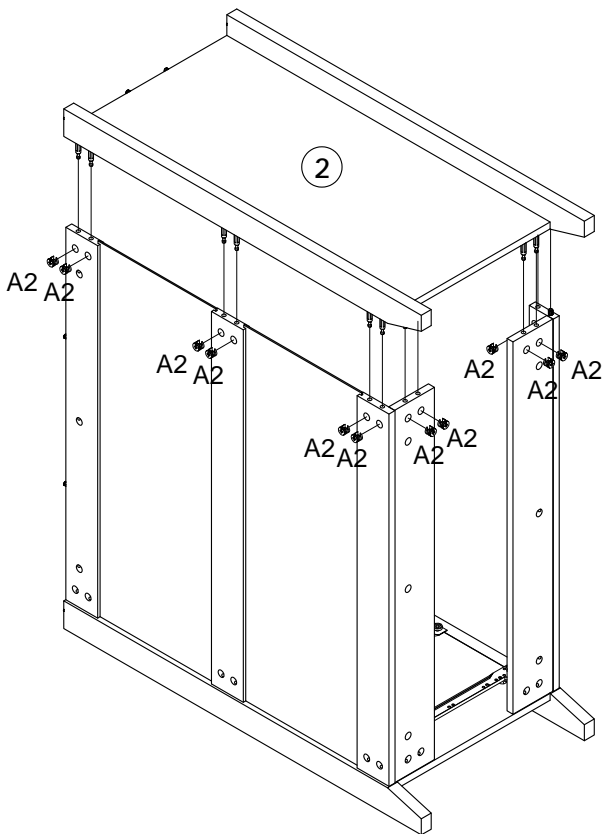
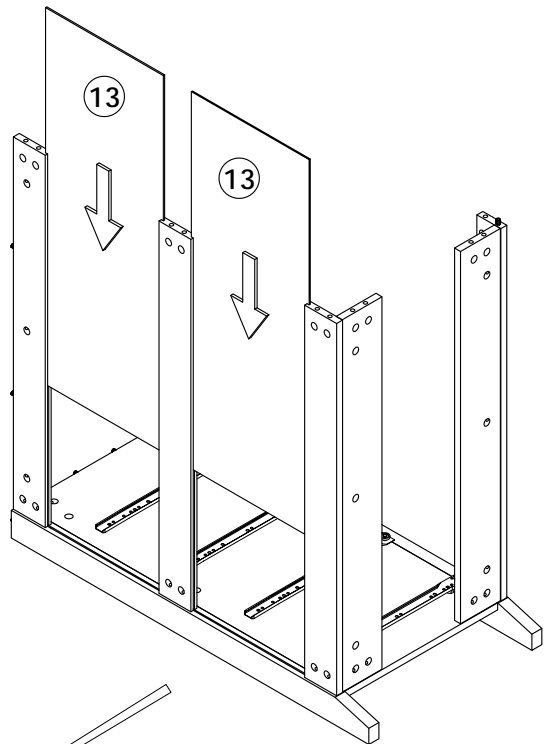
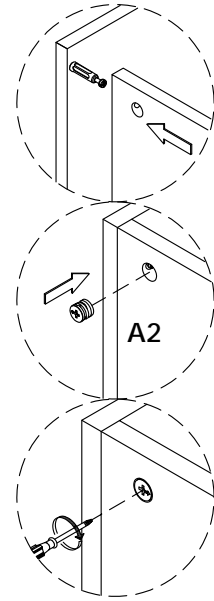
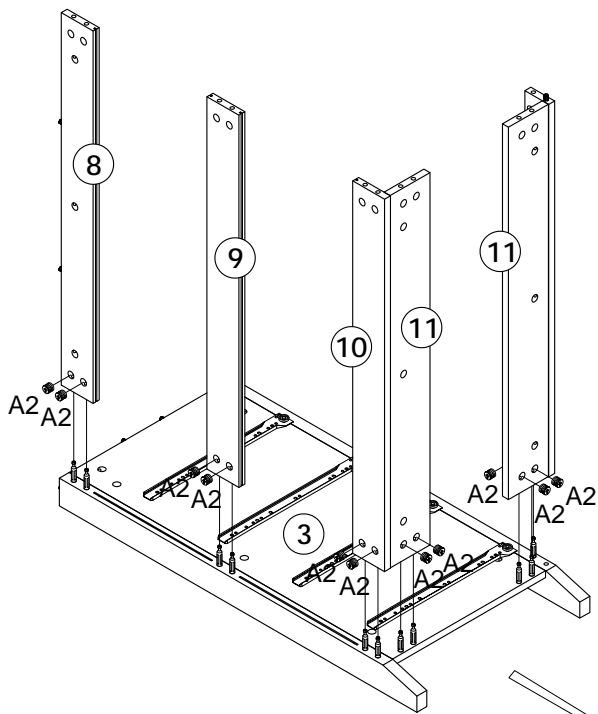
Step 5



Step 6



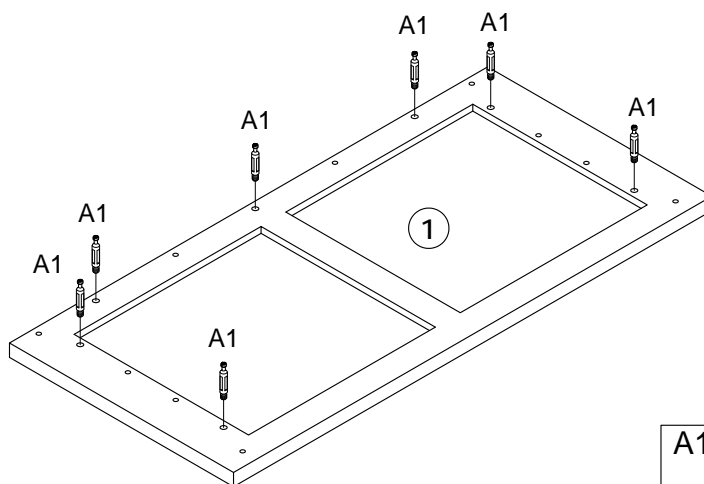
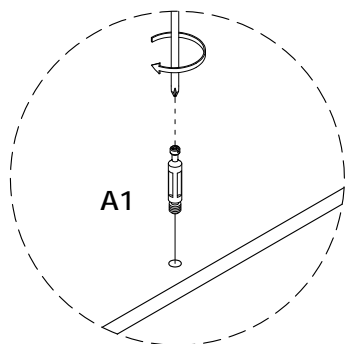
Step 7



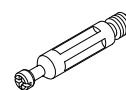
A2 x 22pcs



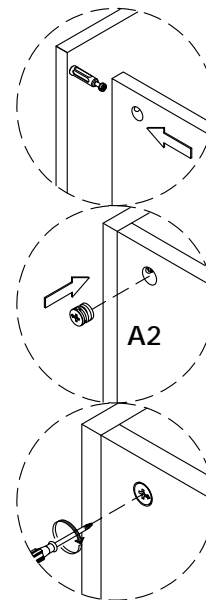
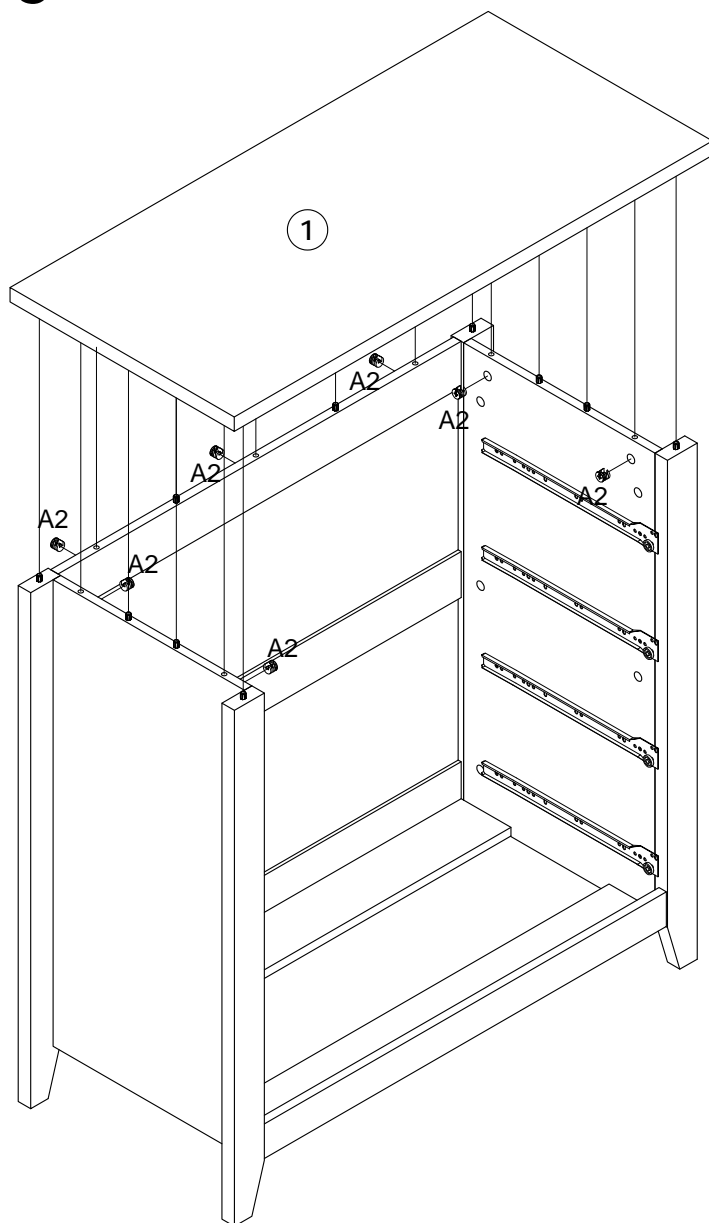
Step 8



A1 x 7pcs



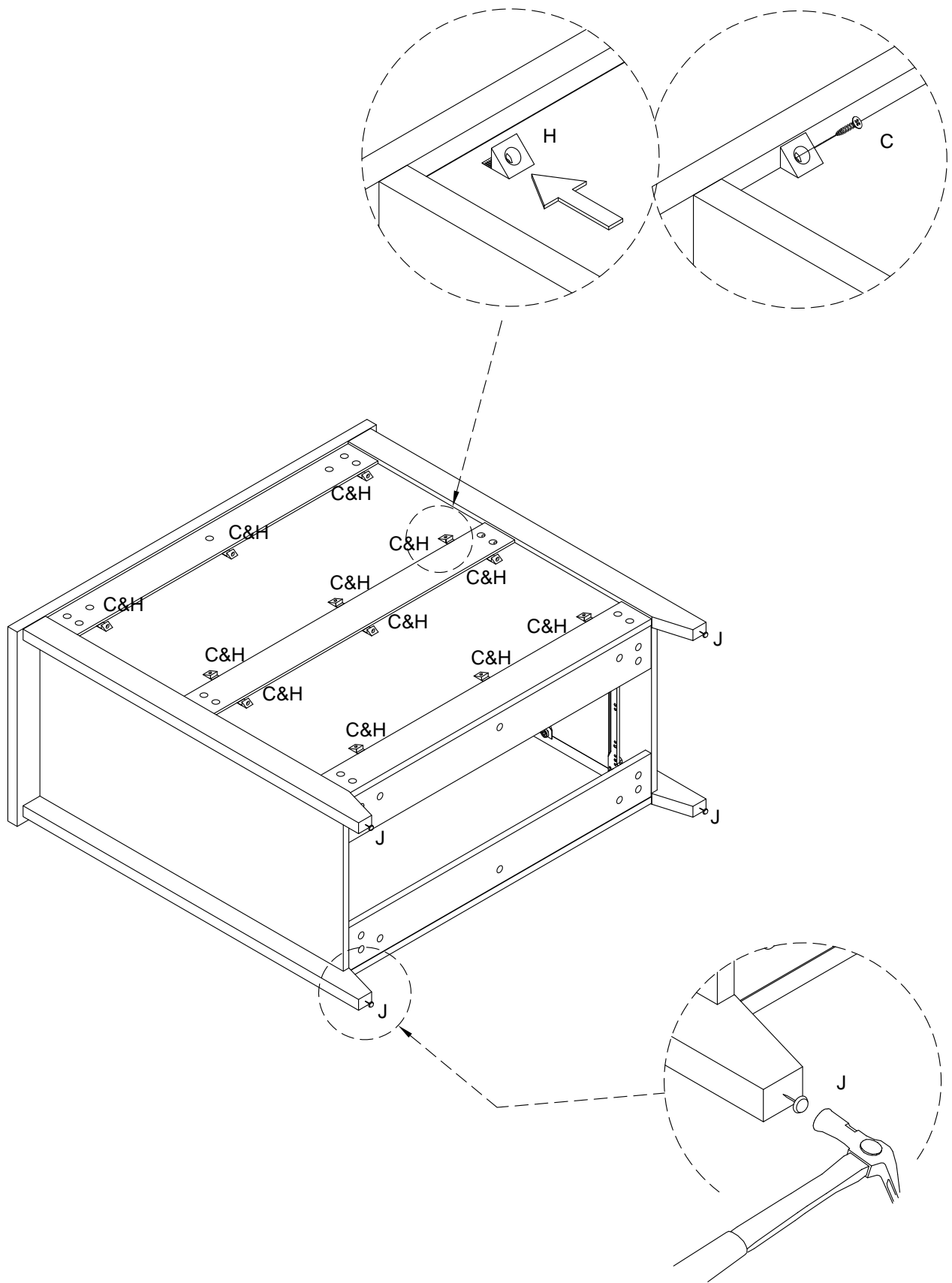
Step 9



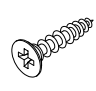
A2 x 7pcs



Step 10

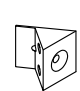


C x 12pcs




Φ3.5x14

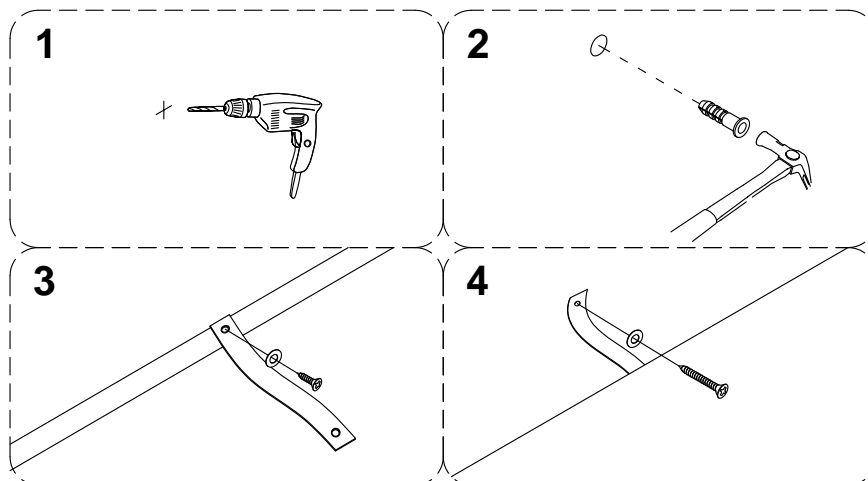
H x 12pcs



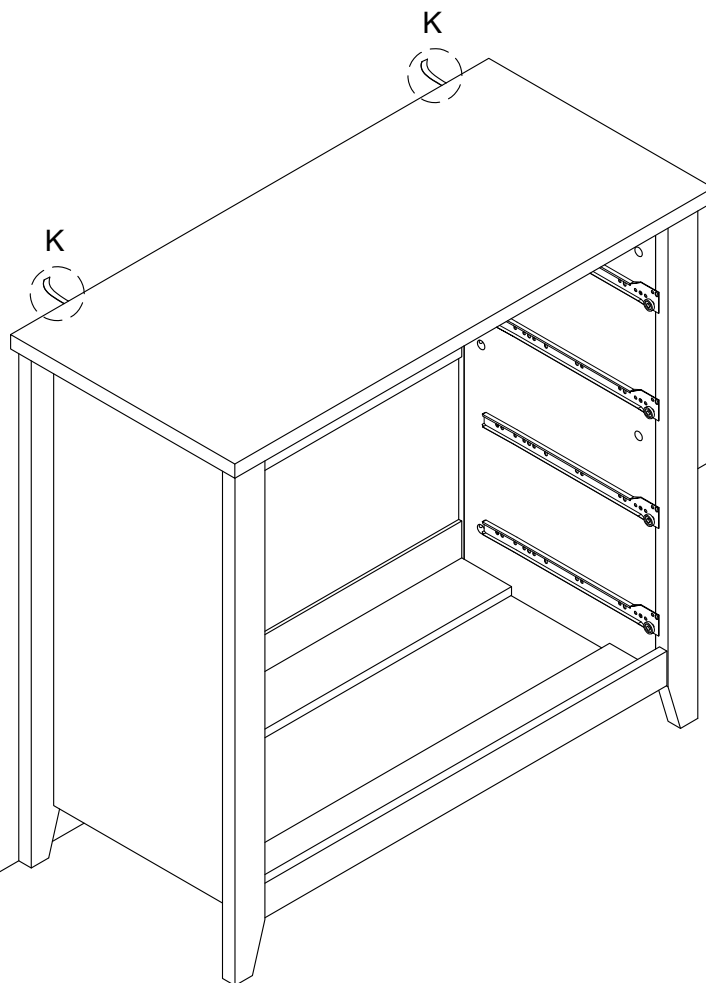
J x 4pcs



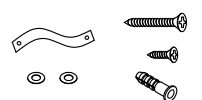
Step 11



WALL

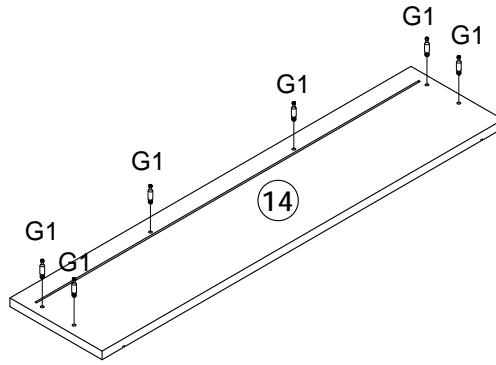
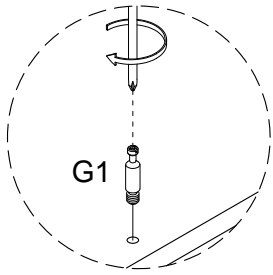


K x 2sets



Step 12

x 4

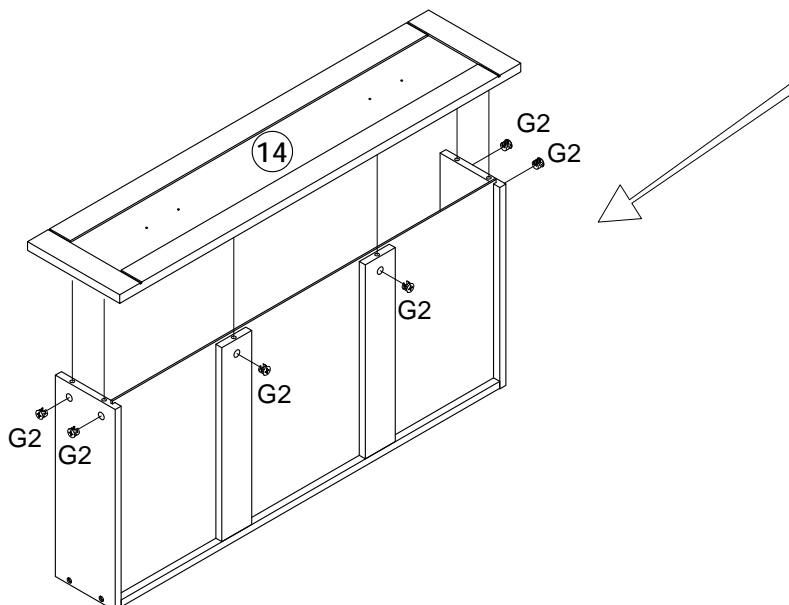
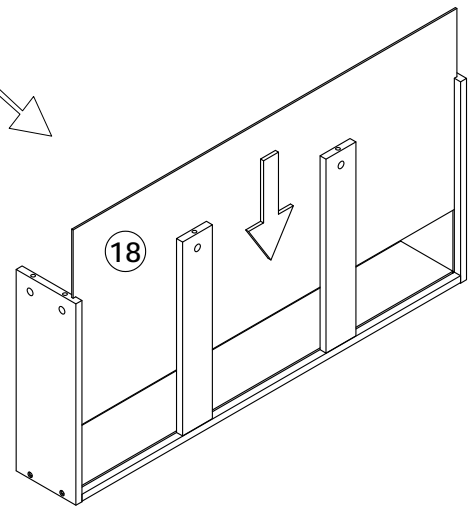
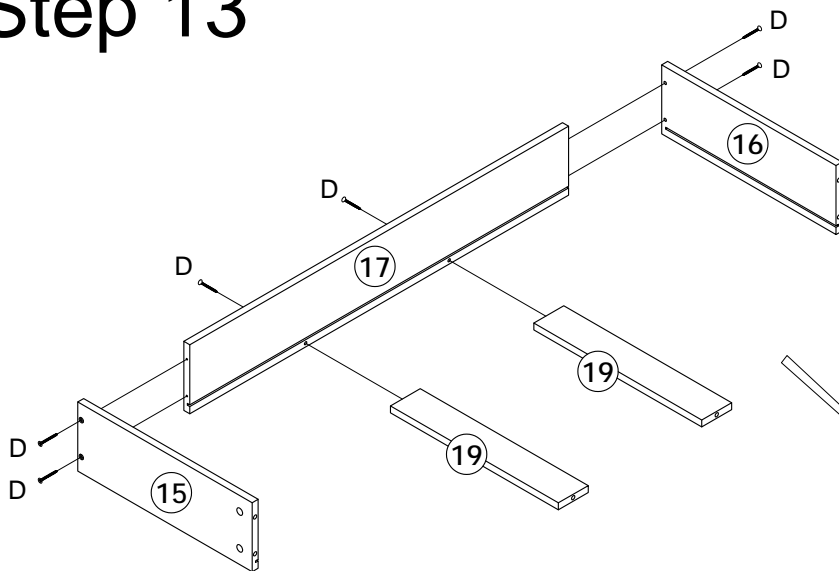


G1 x 24pcs



Step 13

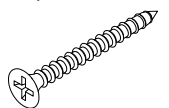
x 4



G2 x 24pcs

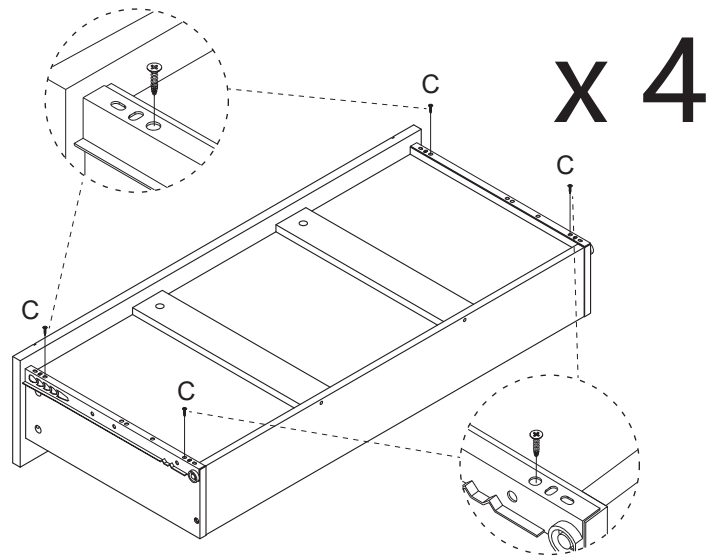
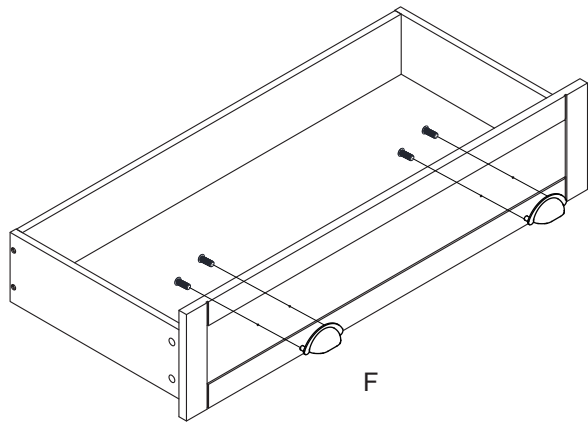


D x 24pcs



Φ3.5x35

Step 14

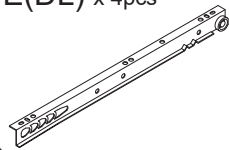


C x 16pcs

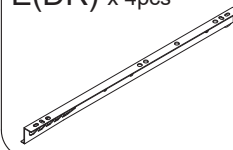


Φ 3.5x14

E(DL) x 4pcs



E(DR) x 4pcs



F x 8pcs



Step 15

