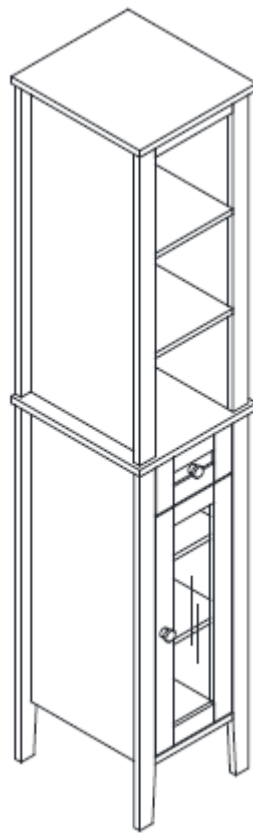


**ASSEMBLY INSTRUCTIONS
INSTRUCCIONES DE ENSAMBLAJE
INSTRUCTIONS D'ASSEMBLAGE
MONTAGEANLEITUNGEN**





WARNING

ADULT ASSEMBLY REQUIRED:

This product requires assembly by an adult because of small parts. Care should be taken in unpacking and assembling this item to keep small parts away from children. During assembly children should be kept away from the product due to possible risk of injury.

SERIOUS OR FATAL INJURIES CAN OCCUR FROM FURNITURE TIP-OVER.
IN ORDER TO PREVENT OVERTURNING, THIS PRODUCT MUST BE USED WITH
THE TIP-OVER RESTRAINTS OR WALL MOUNTING HARDWARE PROVIDED.

PLEASE READ WARNINGS BELOW.

- Product must be assembled exactly per these instructions. Failure to follow assembly instructions may result in possible risk of injury.
- Young children can be seriously injured or killed if furniture tips over. Install tip-over restraint provided. Use of tip-over restraints may only reduce, but not eliminate, the risk of tip-over.
- To help prevent furniture from tip-over or fall, this product must be secured to the wall using enclosed tip-over restraints or wall mounting hardware.
- Tip-over restraints and wall mounting hardware are provided with this product, however, you may need to source suitable hardware for your wall type. If in doubt, please consult a qualified tradesperson.
- Always check the suitability of the wall to ensure the tip-over restraints or wall mounting hardware will resist the forces applied to it.
- Always ensure any wall used for tip-over restraints or wall mounting hardware is free from hidden electrical wires, water, or gas pipes.
- Do not use this item for a TV stand or place heavy objects on top of item.
- Place heaviest items in the lowest drawers or shelves.
- Never allow children to climb or hang on to the drawers, doors, or shelves.
- Never open more than one drawer at a time or defeat/remove any drawer interlock system.

Weight Capacity: This product will hold up to 5 pounds (2.3kgs) per shelf and 5 pounds (2.3kgs) per drawer for a total weight of 35 pounds (15.9kgs). Please do not overload product for risk of damage and/or serious injury or death.



ADVERTENCIA

REQUIERE QUE UN ADULTO REALICE EL ENSAMBLAJE:

Este producto requiere que un adulto lleve a cabo el ensamblaje debido a las piezas pequeñas. Debe tener cuidado al desempacar y ensamblar este artículo para mantener las piezas pequeñas alejadas de los niños. Los niños deben mantenerse alejados del producto durante el ensamblaje debido al posible riesgo de lesiones.

LA CAÍDA DE LOS MUEBLES PUEDE OCASIONAR LESIONES GRAVES O FATALES. A FIN DE EVITAR ESTA SITUACIÓN, ESTE PRODUCTO DEBE SER UTILIZADO CON LAS SUJECIONES ANTIVUELCO O LOS HERRAJES DE PARED SUMINISTRADOS.

LEA LAS SIGUIENTES ADVERTENCIAS.

- Ensamble el producto exactamente como se indica en estas instrucciones. Si no se siguen estas instrucciones, existen riesgos de lesiones.
- Si los muebles se caen, los niños pequeños pueden sufrir lesiones graves o la muerte. Instale el sistema antivuelco provisto. El uso del sistema antivuelco solo puede reducir, pero no eliminar, el riesgo de caída.
- Para evitar que los muebles se caigan o se volteen, fije este producto a la pared con el sistema antivuelco incluido o con los herrajes de ensamblaje a la pared.
- Este producto cuenta con sistemas antivuelco y herrajes de ensamblaje a la pared; sin embargo, es posible que tenga que buscar los accesorios adecuados para su tipo de pared. Si tiene alguna inquietud al respecto, consulte a un comerciante calificado.
- Compruebe siempre la capacidad de la pared para asegurarse de que el sistema antivuelco o los herrajes de ensamblaje a la pared resistan las fuerzas aplicadas a ella.
- Asegúrese siempre de que cualquier pared utilizada para los sistemas antivuelco o los herrajes de ensamblaje a la pared esté libre de cables eléctricos ocultos, tuberías de agua o gas.
- No utilice este objeto como soporte para el televisor ni coloque objetos pesados sobre él.
- Coloque los artículos más pesados en los cajones o repisas más bajas.
- No permita que los niños se suban o se aferren a los cajones, puertas o repisas.
- No abra nunca más de un cajón a la vez o anule/elimine cualquier sistema de interbloqueo de cajones.

Capacidad de peso: Este producto soporta un total de 5 libras (2,3 kg) por repisa y 5 libras (2,3 kg) por cajón, lo que suma un total de 35 libras (15,9 kg). No sobrecargue el producto para evitar el riesgo de daños o lesiones graves o la muerte.



AVERTISSEMENT

L'ASSEMBLAGE DOIT ÊTRE EFFECTUÉ PAR UN ADULTE :

Ce produit doit être assemblé par un adulte à cause de la présence de petites pièces. Lorsque vous déballez et assemblez cet article, veillez à tenir les petites pièces hors de portée des enfants. Les enfants doivent être tenus à l'écart du produit en raison du risque de blessure pendant l'assemblage.

LE BASCULEMENT D'UN MEUBLE PEUT CAUSER DES BLESSURES GRAVES VOIRE MORTELLES. CE PRODUIT DOIT ÊTRE UTILISÉ AVEC LES DISPOSITIFS DE RETENUE ANTI-BASCULEMENT OU LE MATÉRIEL DE FIXATION MURALE FOURNI AFIN D'ÉVITER TOUT BASCULEMENT.

VEUILLEZ LIRE LES AVERTISSEMENTS CI-DESSOUS.

- Le produit doit être assemblé exactement selon ces instructions. Le non-respect des instructions de montage peut entraîner un risque de blessure.
- Les enfants en bas âge peuvent être gravement blessés ou tués par le basculement d'un meuble. Installez les dispositifs de retenue anti-basculement fournis. L'utilisation de dispositifs de retenue anti-basculement peut uniquement réduire le risque de basculement ; il n'élimine pas ce risque.
- Ce produit doit être fixé au mur à l'aide de dispositifs de retenue anti-basculement ou de matériel de fixation murale pour éviter que le meuble ne bascule et ne tombe.
- Les dispositifs de retenue anti-basculement et le matériel de fixation murale sont fournis avec ce produit. Toutefois, vous devrez peut-être vous procurer du matériel convenant à votre type de mur. Veuillez consulter un professionnel qualifié en cas de doute.
- Vérifiez toujours la résistance du mur pour s'assurer que les dispositifs de retenue anti-basculement ou les accessoires de fixation murale résistent aux forces qui lui sont appliquées.
- Assurez-vous toujours que les murs utilisés pour les dispositifs de retenue anti-basculement ou le matériel de montage mural soient exempts de fils électriques, de conduites d'eau ou de gaz cachés.
- N'utilisez pas cet objet comme support de téléviseur et évitez de placer des objets lourds au-dessus de celui-ci.
- Placez les objets les plus lourds dans les tiroirs ou sur les étagères inférieures.
- Ne laissez jamais les enfants monter ou s'accrocher aux tiroirs, portes ou étagères.
- N'ouvrez jamais plusieurs tiroirs en même temps, et ne démontez et ne retirez jamais le système de verrouillage du tiroir.

Capacité de poids : Ce produit peut contenir jusqu'à 5 livres (2,3 kg) par étagère et 5 livres (2,3 kg) par tiroir, pour un poids total de 35 livres (15,9 kg). Veuillez ne pas surcharger le produit pour éviter tout risque de dommage et de blessure grave ou mortelle.



WARNUNG

MONTAGE DURCH ERWACHSENE ERFORDERLICH:

Dieses Produkt muss wegen der kleinen Teile von einem Erwachsenen zusammengebaut werden. Beim Auspacken und Zusammenbau dieses Artikels ist darauf zu achten, dass Kleinteile von Kindern ferngehalten werden. Während der Montage sollten Kinder wegen möglicher Verletzungsgefahr vom Produkt ferngehalten werden.

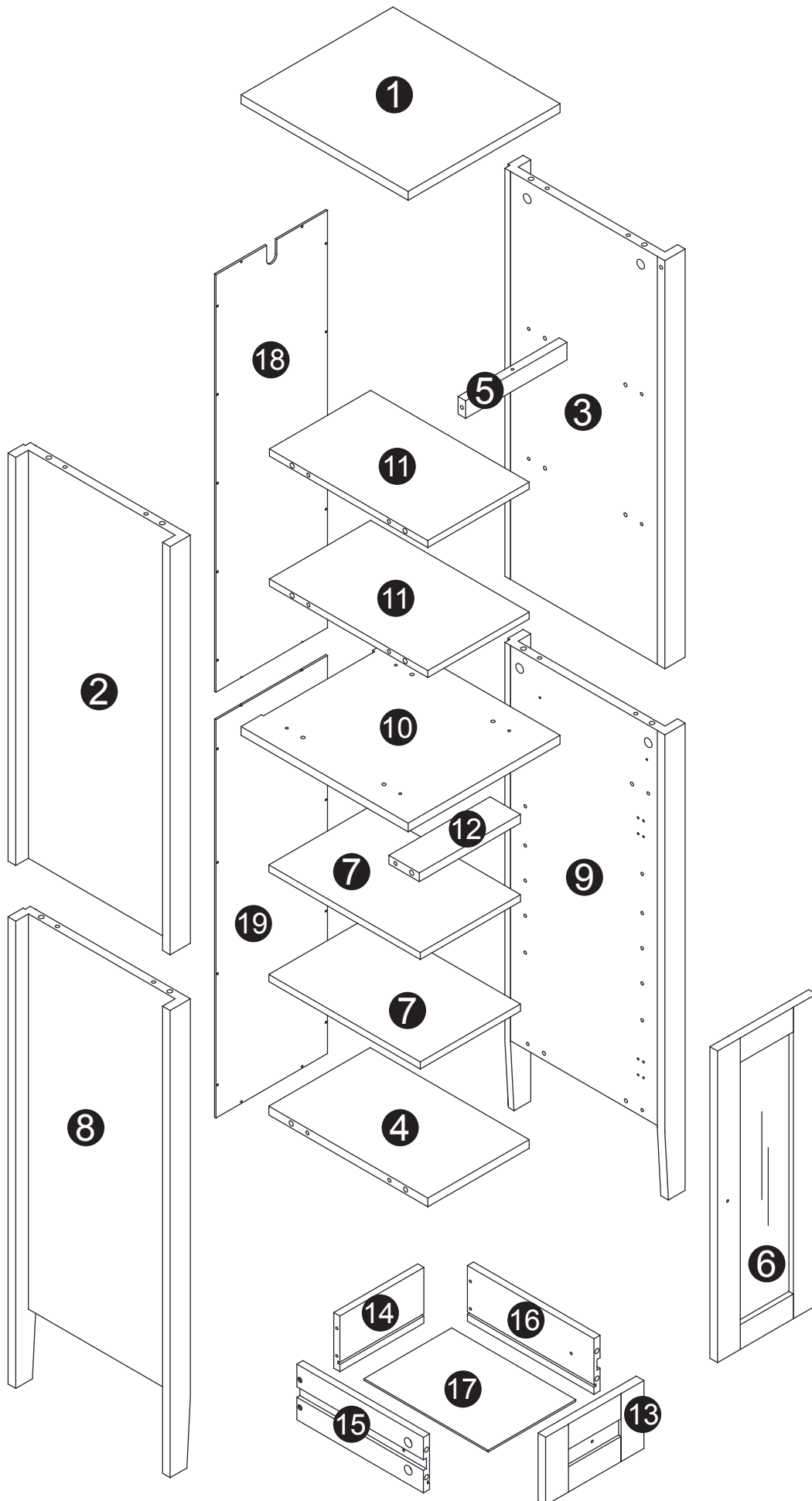
BEIM UMKIPPEN VON MÖBELN KANN ES ZU SCHWEREN ODER TÖDLICHEN VERLETZUNGEN KOMMEN. UM EIN UMKIPPEN ZU VERHINDERN, MUSS DIESES PRODUKT MIT DEN MITGELIEFERTEN KIPPSICHERUNGEN ODER WANDBEFESTIGUNGSTEILEN VERWENDET WERDEN.

BITTE LESEN SIE DIE FOLGENDEN WARNHINWEISE.

- Das Produkt muss genau nach diesen Anweisungen zusammengebaut werden. Die Nichtbeachtung der Montageanweisungen kann zu einer möglichen Verletzungsgefahr führen.
- Kleine Kinder können schwer verletzt oder getötet werden, wenn Möbel umkippen. Installieren Sie die mitgelieferte Kippsicherung. Die Verwendung von Kippsicherungen kann das Risiko des Umkippens nur verringern, aber nicht ausschließen.
- Um zu verhindern, dass Möbelstücke umkippen oder herunterfallen, muss dieses Produkt mit beiliegenden Kippsicherungen oder einer Wandhalterung an der Wand befestigt werden.
- Kippsicherungen und Wandhalterungen werden mit diesem Produkt mitgeliefert, Sie müssen jedoch möglicherweise geeignetes Zubehör für Ihren Wandtyp beschaffen. Im Zweifelsfall wenden Sie sich bitte an einen qualifizierten Händler.
- Prüfen Sie immer die Eignung der Wand, um sicherzustellen, dass die Kippsicherungen oder Wandhalterung den auf sie einwirkenden Kräften standhalten.
- Stellen Sie immer sicher, dass alle Wände, die für Kippsicherungen oder Wandhalterungen verwendet werden, frei von versteckten elektrischen Leitungen, Wasser- oder Gasrohren sind.
- Verwenden Sie diesen Gegenstand nicht als TV-Ständer und stellen Sie keine schweren Gegenstände darauf.
- Legen Sie die schwersten Gegenstände in die untersten Schubladen oder Regalfächer.
- Lassen Sie Kinder niemals auf Schubladen, Türen oder Regalböden klettern oder sich daran hängen.
- Niemals mehr als eine Schublade gleichzeitig öffnen oder ein Schubladenverriegelungssystem außer Kraft setzen/entfernen.

Gewichtskapazität: Dieses Produkt fasst bis zu 2,3 kg (5 Pfund) pro Regalboden und 2,3 kg (5 Pfund) pro Schublade bis zu einem Gesamtgewicht von 15,9 kg (35 Pfund). Bitte überlasten Sie das Produkt nicht, da die Gefahr von Schäden und/oder schweren Verletzungen oder Tod besteht.


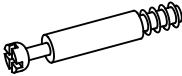


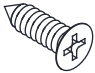












PARTS LIST



PARTS LIST

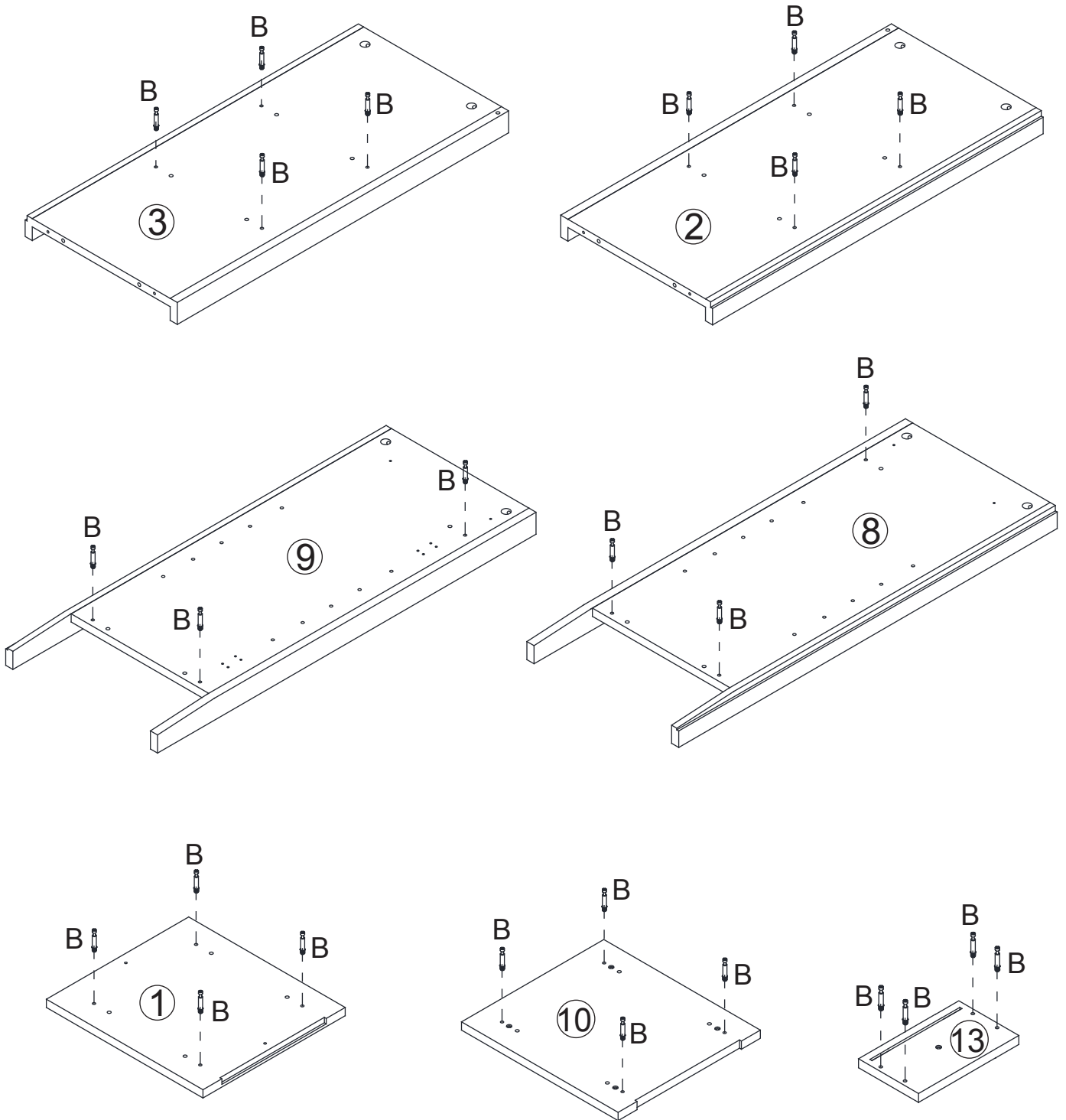
NO	QTY	DESCRIPTION
1	1PC	Top Board
2	1PC	Upper Left Side Board
3	1PC	Upper Right Side Board
4	1PC	Bottom Board
5	1PC	Upper Cross Bar
6	1PC	Door
7	2PCS	Adjustable Shelf
8	1PC	Lower Left Side Board
9	1PC	Lower Right Side Board
10	1PC	Middle Connection Board
11	2PCS	Fixed Shelf
12	1PC	Lower Cross Bar
13	1PC	Drawer Front Board
14	1PC	Drawer Back Board
15	1PC	Drawer Left Side Panel
16	1PC	Drawer Right Side Panel
17	1PC	Drawer Bottom Board
18	1PC	Upper Back Board
19	1PC	Lower Back Board

PARTS LIST

NO	PARTS	QTY	DESCRIPTION
A		28PCS	Wood Dowel
B		26PCS	Cam Bolt
D		26PCS	Cam Lock
E		4PCS	Screw (3x10mm)
F		12PCS	Screw (3.5x14mm)
G		2PCS	Hinge
H		2PCS	Machine Screw (4x16mm)
J		24PCS	Screw (2.5x10mm)
K		1PC	Screw (4x12mm)
L		9PCS	Screw (4x30mm)
M		2PCS	Drawer Slider
N		2PCS	Machine Screw (4x10mm)
P		8PCS	Shelf Holder
R		1PC	Adjustable Anchor Bracket
S		1PC	Plastic Anchor
T		1PC	Screw (4x40mm)
U		2PCS	Knob

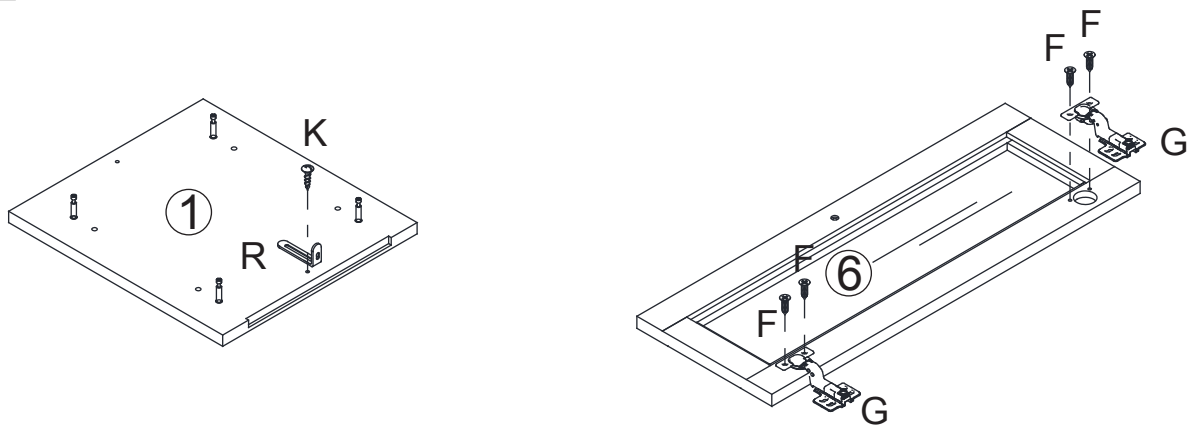
**TOOLS NEEDED FOR ASSEMBLY: FLAT & PHILLIPS SCREWDRIVER (NOT INCLUDED)
 THE USE OF A POWER SCREWDRIVER IS NOT RECOMMENDED FOR ASSEMBLY
 DO NOT USE ITEM IF ANY PARTS ARE MISSING OR DAMAGED**

STEP 1



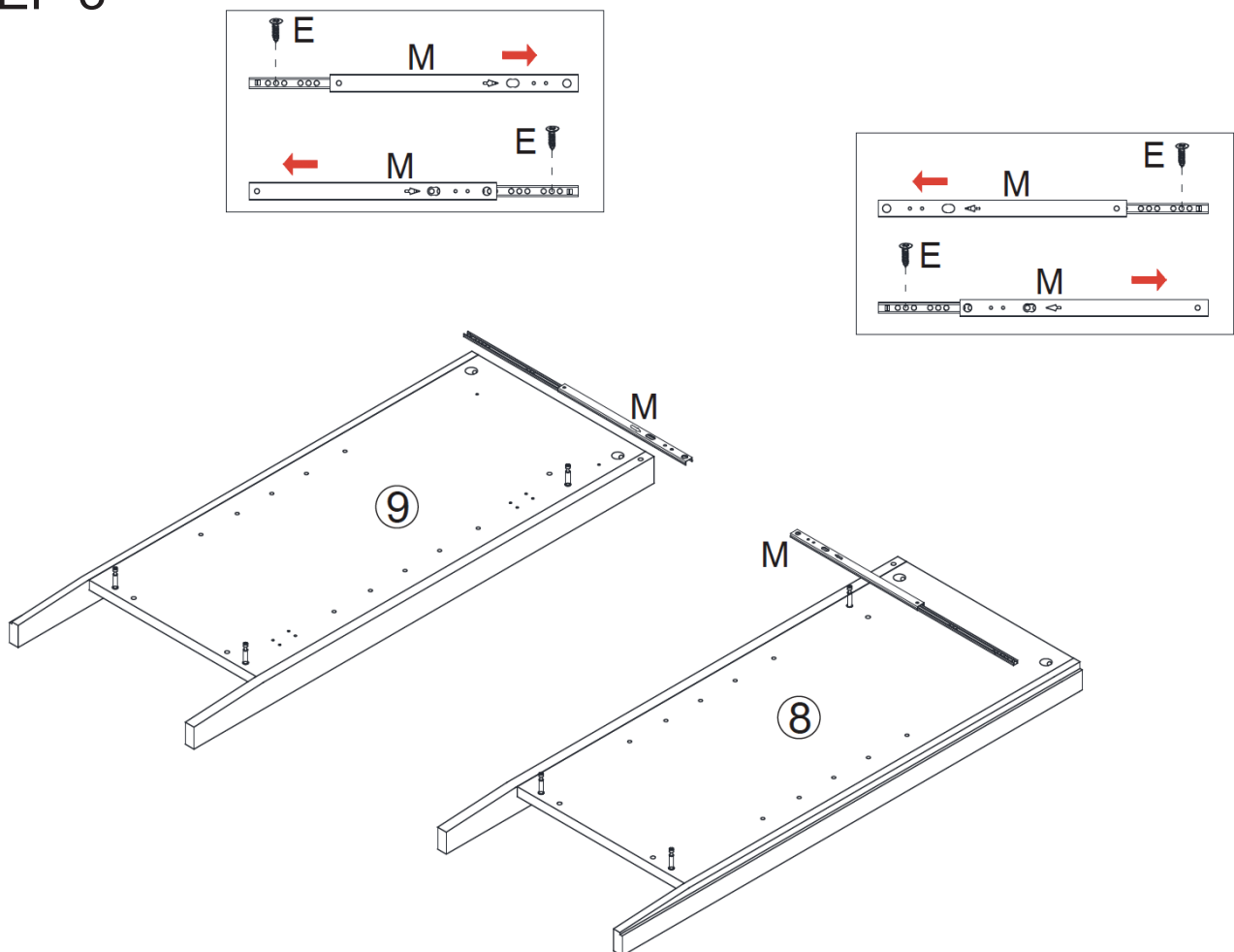
1. Screw 4 cam bolts (B) into cam bolt holes on upper right side board (3).
2. Screw 4 cam bolts (B) into cam bolt holes on upper left side board (2).
3. Screw 3 cam bolts (B) into cam bolt holes on lower right side board (9).
4. Screw 3 cam bolts (B) into cam bolt holes on lower left side board (8).
5. Screw 4 cam bolts (B) into cam bolt holes on top board (1).
6. Screw 4 cam bolts (B) into cam bolt holes on middle connection board (10).
7. Screw 4 cam bolts (B) into cam bolt holes on drawer front board (13).

STEP 2



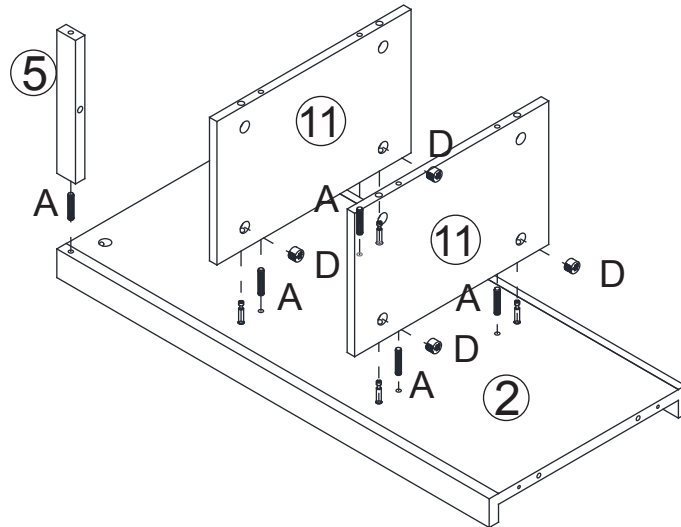
1. Attach adjustable anchor bracket (R) to top board (1) by inserting 1 screw (K) through hole on adjustable anchor bracket (R), then tighten to top board (1).
2. Attach 2 hinges (G) to door (6) by inserting 4 screws (F) through holes on hinges (G), then tighten to door (6).

STEP 3



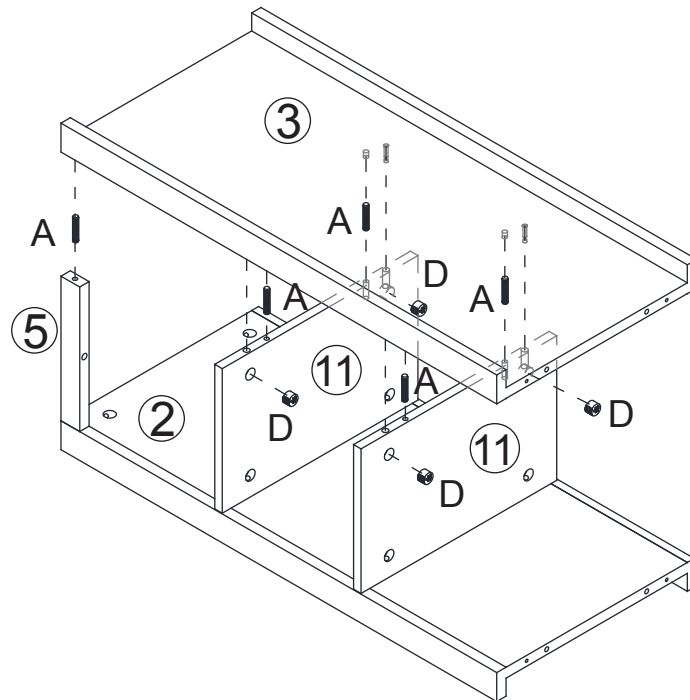
1. Attach drawer slider (M) to lower right side board (9) by inserting 2 screws (E) through holes on drawer slider (M), then tighten to lower right side board (9). Make sure screws tighten to correct holes per drawing details.
2. Repeat above step to attach drawer slider (M) to lower left side board (8).

STEP 4



1. Insert 5 wood dowels (A) into wood dowel holes on upper left side board (2).
2. Attach 2 fixed shelves (11) and upper cross bar (5) to upper left side board (2) by inserting cam bolts into cam lock holes and inserting wood dowels into wood dowel holes on fixed shelves (11) and upper cross bar (5).
3. Insert 4 cam locks (D) into cam lock holes on fixed shelves (11), then rotate clockwise to secure cam bolts (B) in place.

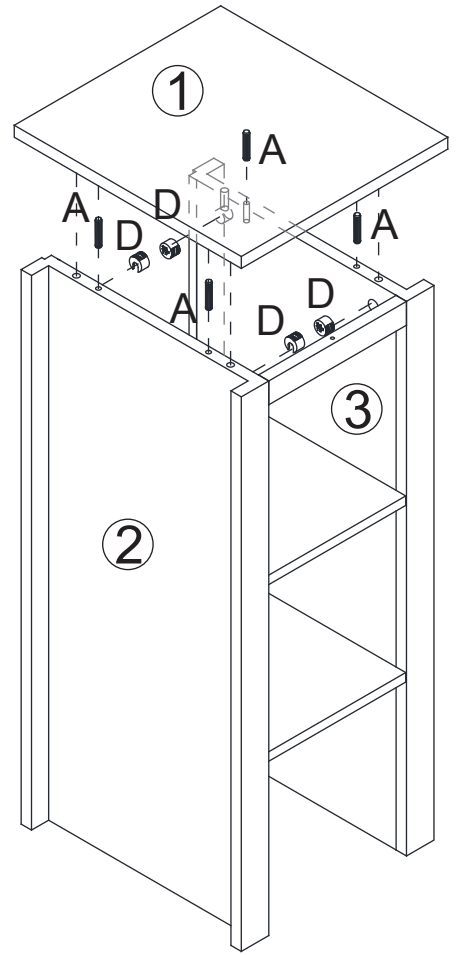
STEP 5



1. Insert 5 wood dowels (A) into wood dowel holes on fixed shelves (11) and upper cross bar (5).
2. Attach upper right side board (3) to fixed shelves (11) and upper cross bar (5) by inserting cam bolts into cam lock holes on fixed shelves (11) and inserting wood dowels into wood dowel holes on upper right side board (3).
3. Insert 4 cam locks (D) into fixed shelves (11), then rotate clockwise to secure cam bolts (B) in place.

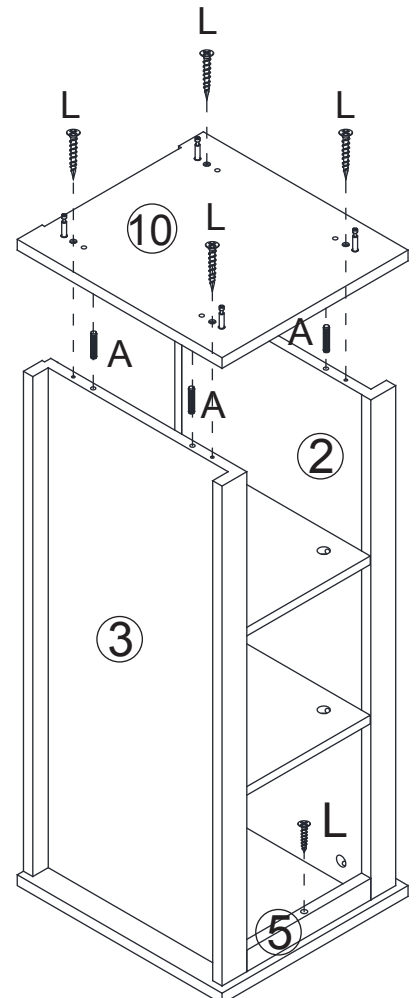
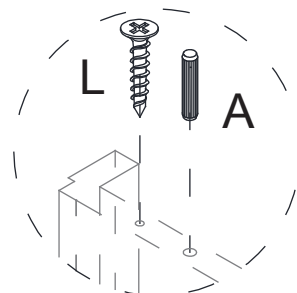
STEP 6

1. Insert 4 wood dowels (A) into wood dowel holes on upper left side board (2) and upper right side board (3).
2. Attach top board (1) to upper left side board (2) and upper right side board (3) by inserting cam bolts into cam lock holes on upper left side board (2) and upper right side board (3) and inserting wood dowels into wood dowel holes on top board (1).
3. Insert 4 cam locks (D) into upper left side board (2) and upper right side board (3), then rotate clockwise to secure cam bolts (B) in place.

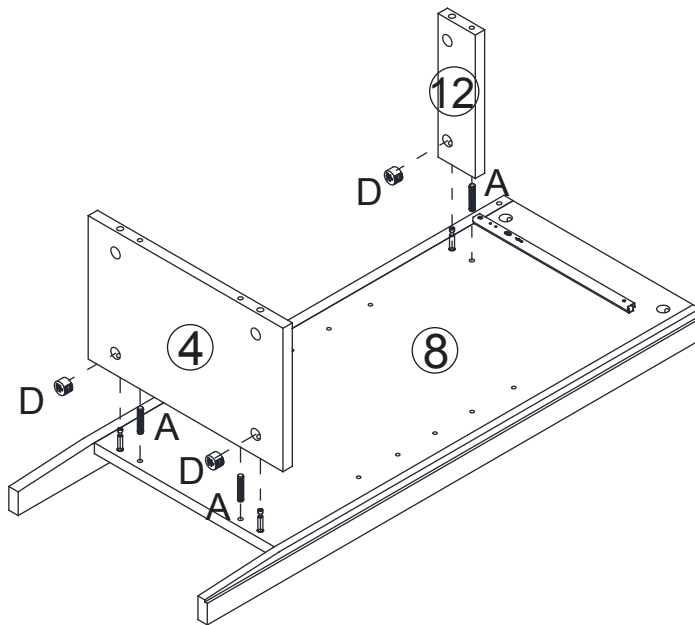


STEP 7

1. Insert 1 screw (L) through hole on upper cross bar (5), then tighten to top board (1).
2. Insert 4 wood dowels (A) into wood dowel holes on upper left side board (2) and upper right side board (3).
3. Attach middle connection board (10) to upper left side board (2) and upper right side board (3) by inserting wood dowels (A) into wood dowel holes on middle connection board (10).
4. Insert 4 screws (L) through holes on middle connection board (10), then tighten to upper left side board (2) and upper right side board (3).

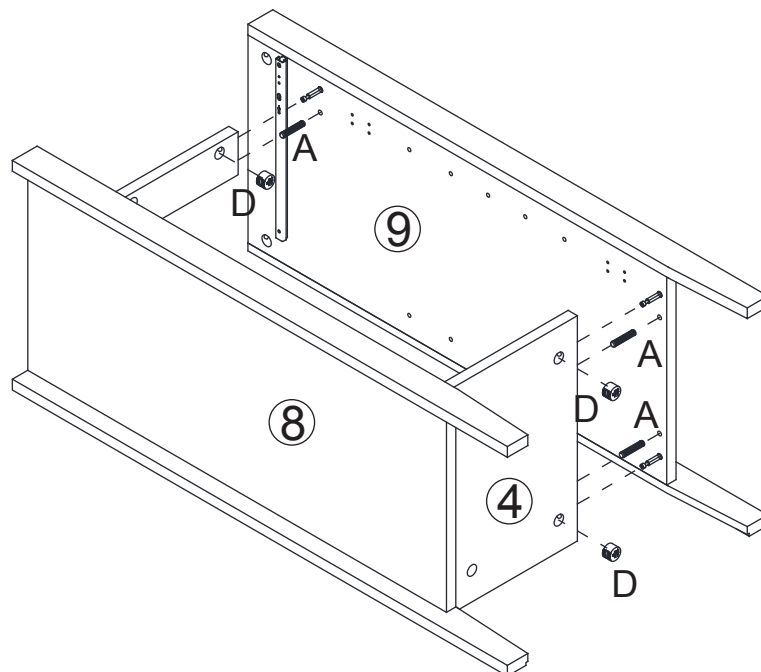


STEP 8



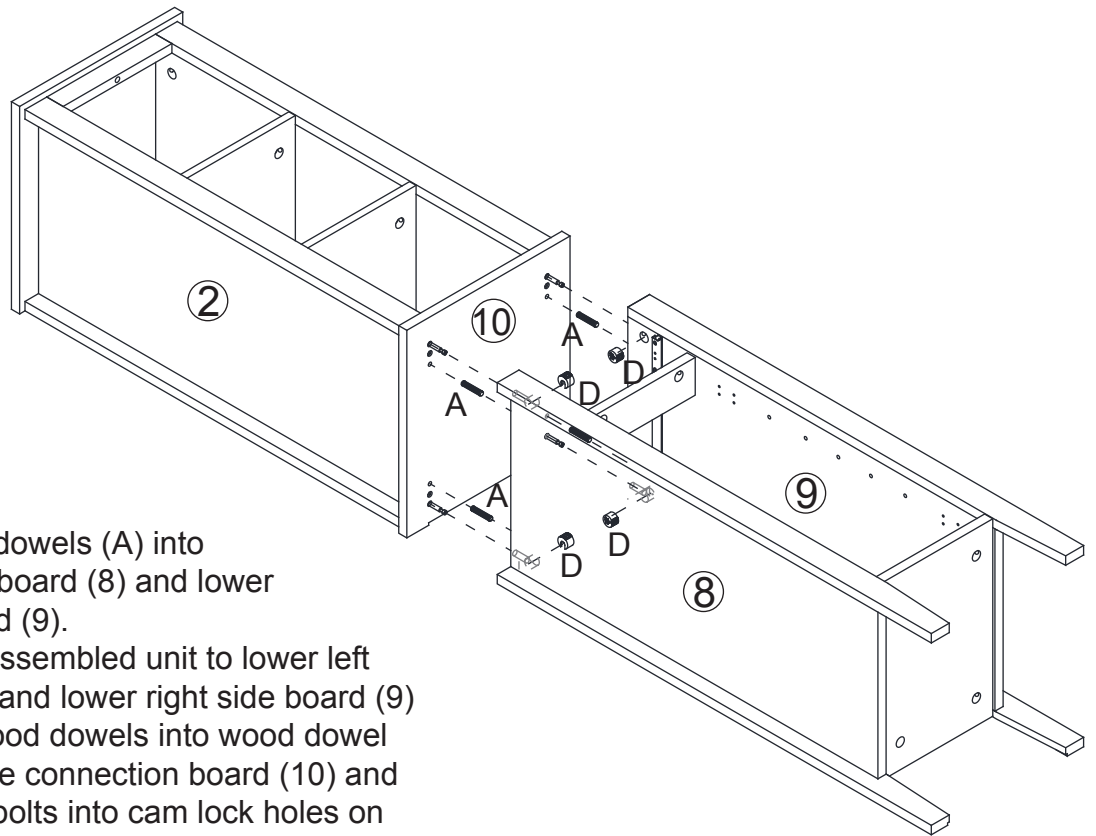
1. Insert 3 wood dowels (A) into lower left side board (8).
2. Attach bottom board (4) and lower cross bar (12) to lower left side board (8) by inserting cam bolts into cam lock holes and inserting wood dowels into wood dowel holes on bottom board (4) and lower cross bar (12).
3. Insert 3 cam locks (D) into cam lock holes on bottom board (4) and lower cross bar (12), then rotate clockwise to secure cam bolts (B) in place.

STEP 9



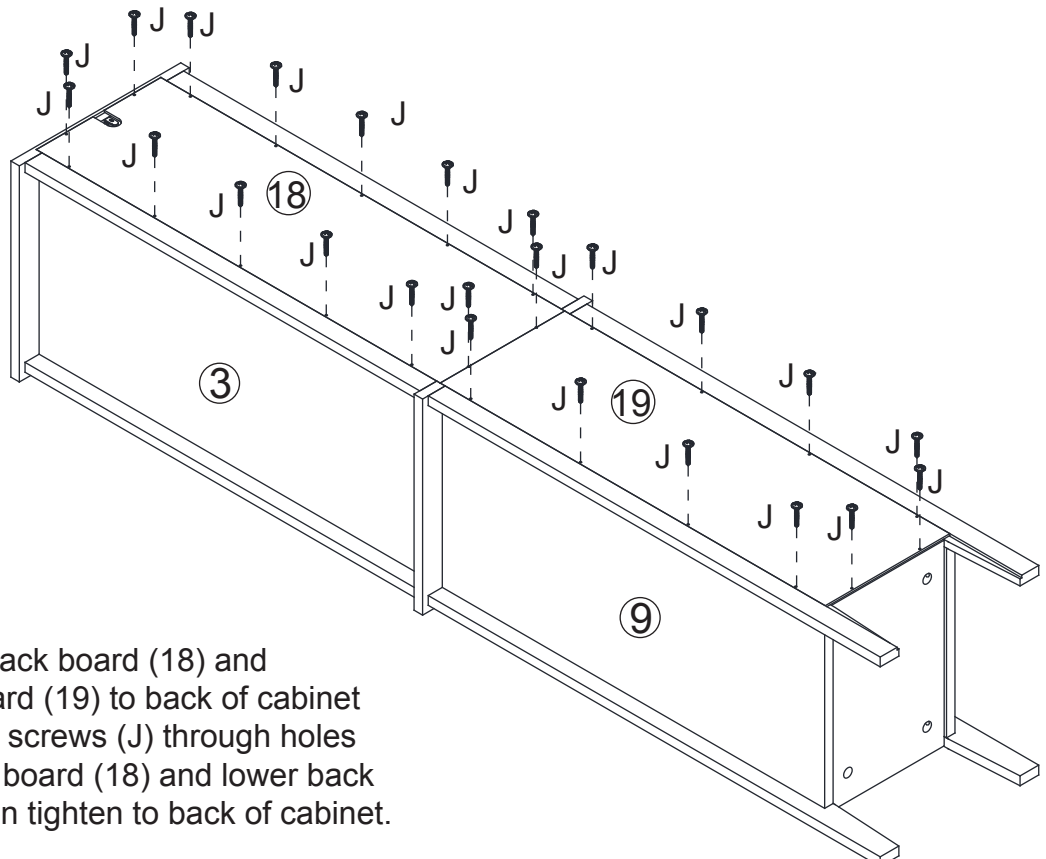
1. Insert 3 wood dowels (A) into lower right side board (9).
2. Attach lower right side board (9) to bottom board (4) and lower cross bar (12) by inserting cam bolts into cam lock holes and inserting wood dowels into wood dowel holes on bottom board (4) and lower cross bar (12).
3. Insert 3 cam locks (D) into bottom board (4) and lower cross bar (12), then rotate clockwise to secure cam bolts (B) in place.

STEP 10



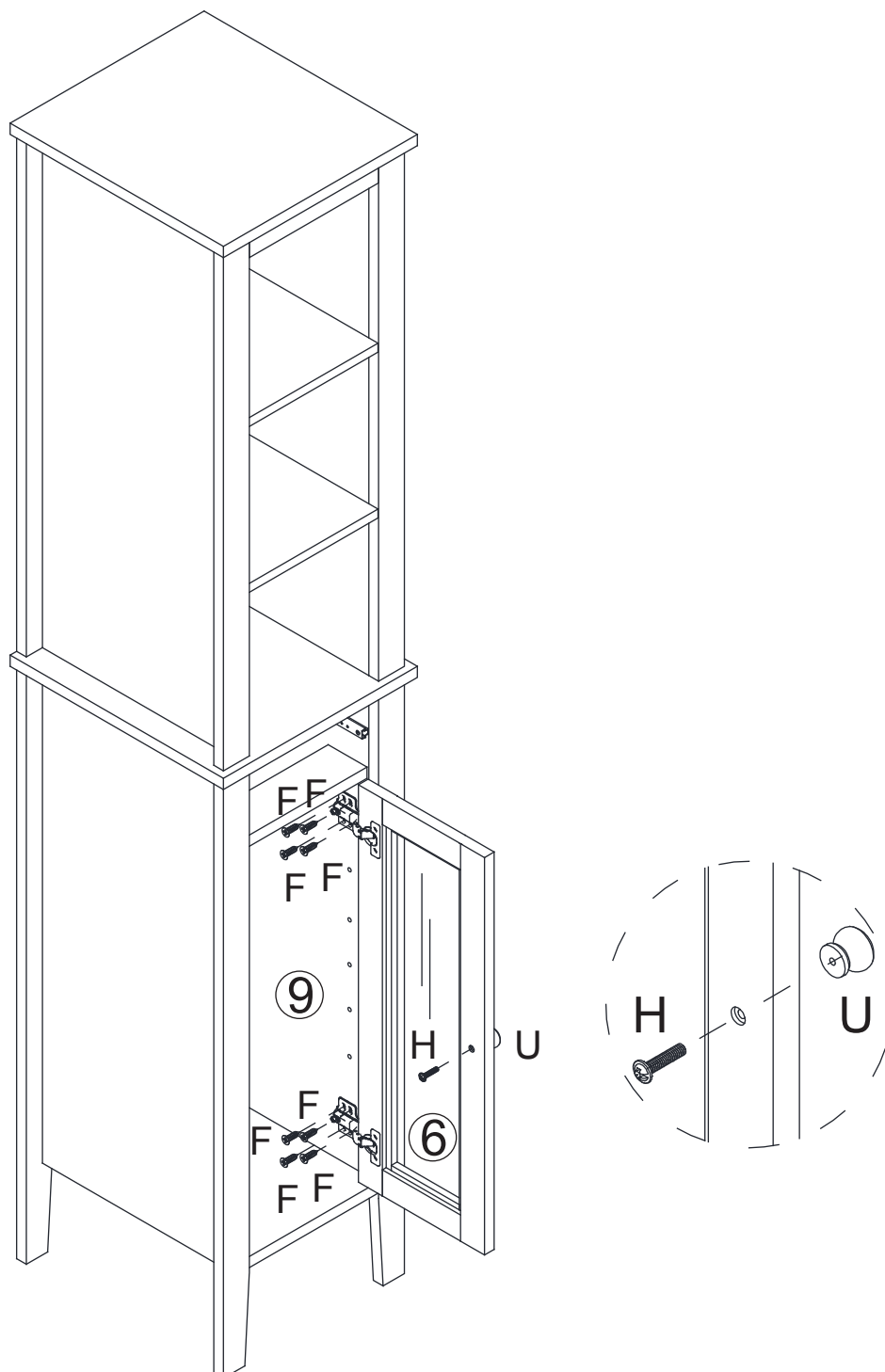
1. Insert 4 wood dowels (A) into lower left side board (8) and lower right side board (9).
2. Attach upper assembled unit to lower left side board (8) and lower right side board (9) by inserting wood dowels into wood dowel holes on middle connection board (10) and inserting cam bolts into cam lock holes on lower left side board (8) and lower right side board (9).
3. Insert 4 cam locks (D) into lower left side board (8) and lower right side board (9), then rotate clockwise to secure cam bolts (B) in place.

STEP 11



1. Attach upper back board (18) and lower back board (19) to back of cabinet by inserting 24 screws (J) through holes on upper back board (18) and lower back board (19), then tighten to back of cabinet.

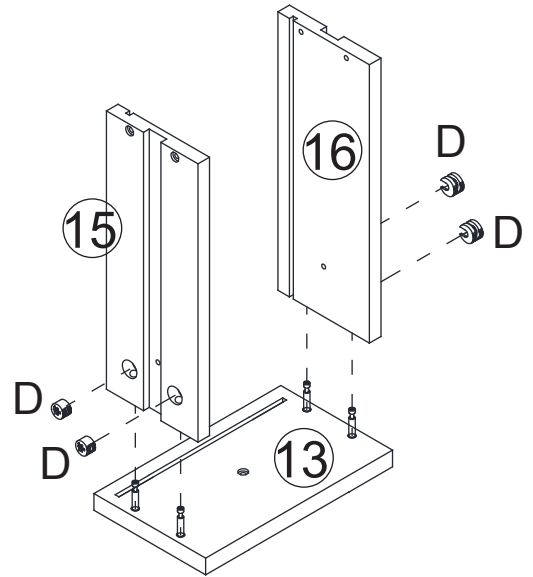
STEP 12



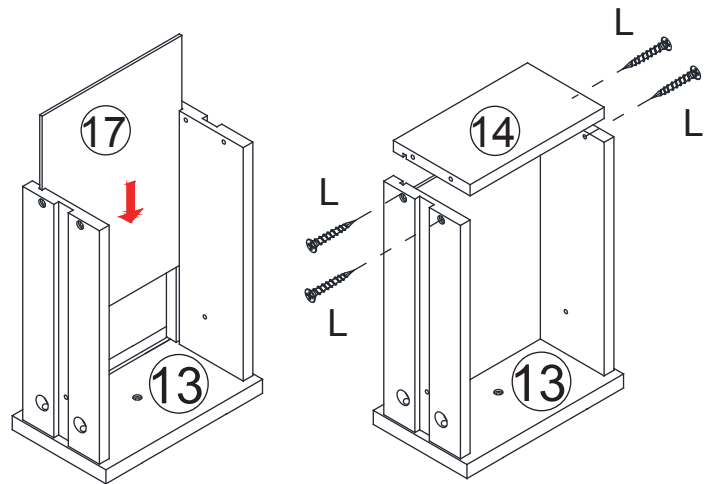
1. Attach door (6) to lower right side board (9) by inserting 8 screws (F) through holes on hinges (G), then tighten to lower right side board (9).
2. Attach knob (U) to door (6) by inserting 1 screw (H) through hole on door (6), then tighten to knob (U).

STEP 13

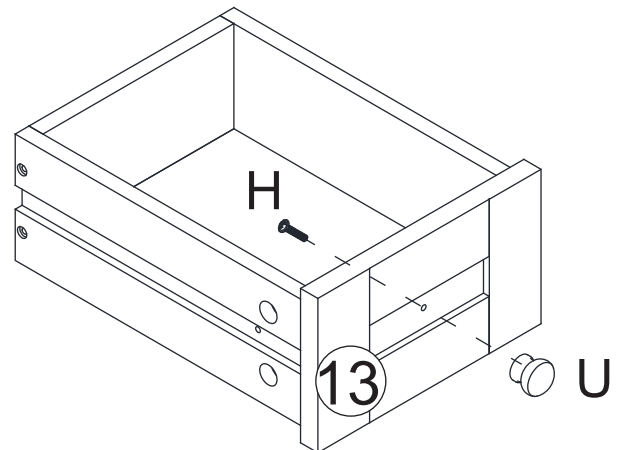
1. Attach drawer left side panel (15) and drawer right side panel (16) to drawer front board (13) by inserting 4 cam bolts (B) into cam bolt holes on drawer left side panel (15) and drawer right side panel (16).
2. Insert 4 cam locks (D) into cam lock holes on drawer left side panel (15) and drawer right side panel (16), then rotate clockwise to secure cam bolts (B) in place.



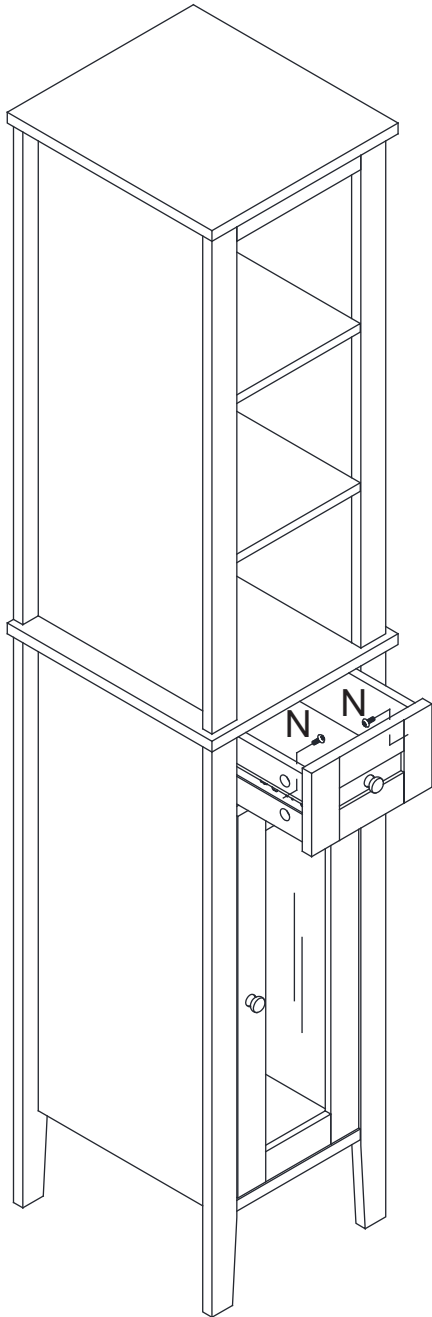
3. Slide drawer bottom board (17) into grooves on drawer left side panel (15), drawer right side panel (16) and drawer front board (13).
4. Attach drawer back board (14) to drawer left side panel (15) and drawer right side panel (16) by inserting 4 screws (L) through holes on drawer left side panel (15) and drawer right side panel (16), then tighten to drawer back board (14). Make sure bottom board (17) slides into the groove on the drawer back board (14).



5. Attach knob (U) to drawer front board (13) by inserting 1 screw (H) through hole on drawer front board (13), then tighten to knob (U).

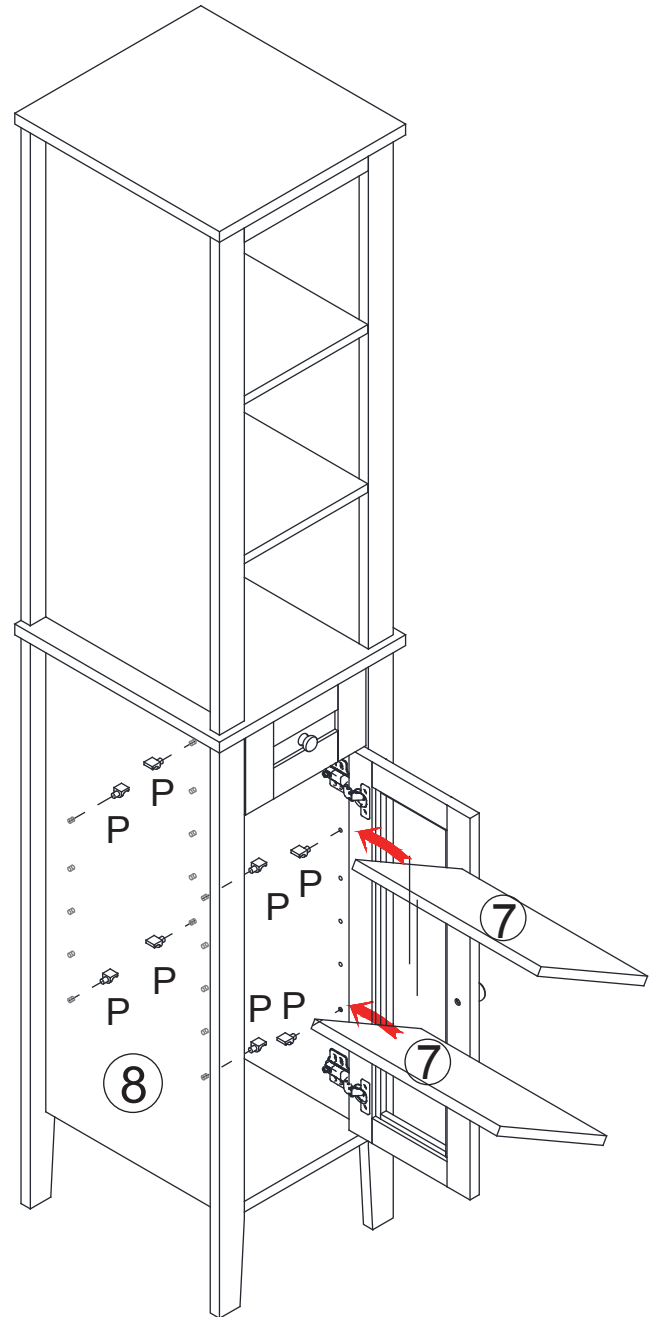


STEP 14



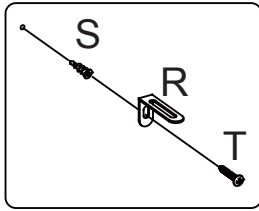
1. Slide drawer into cabinet by sliding drawer slider (M) into grooves on drawer left side panel (15) and drawer right side panel (16). Pull drawer out and adjust drawer sliders (M) to be fully extended against drawer front board (13). Insert 2 machine screws (N) through holes on drawer left side panel (15) and drawer right side panel (16), then tighten to drawer sliders (M).

STEP 15

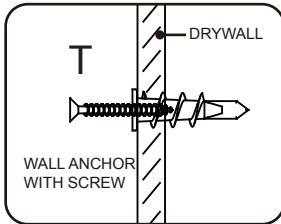


1. Insert 8 shelf holders (P) into holes on lower left side board (8) and lower right side board (9), make sure each 4 shelf holders (P) are at same level.
2. Place adjustable shelves (7) onto shelf holders (P).

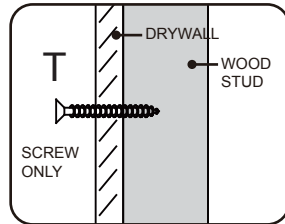
STEP 16



OPTION #1



OPTION #2



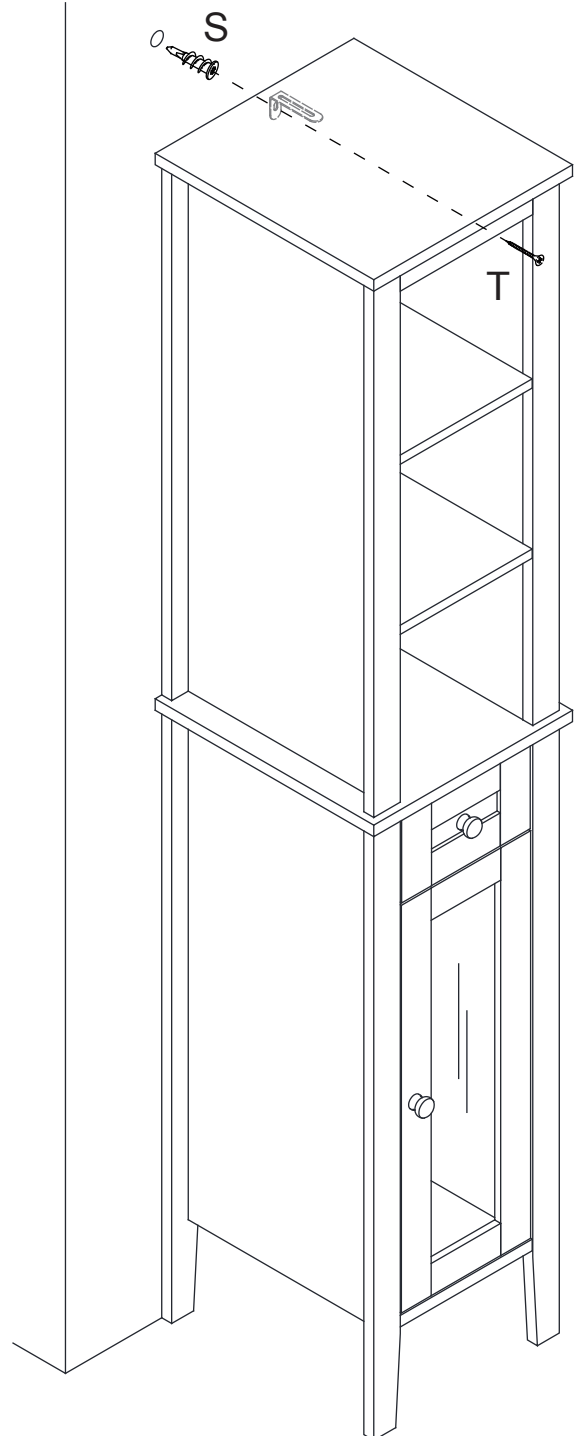
Option #1: Securing to Drywall

1. Position cabinet against wall in desired location. Using a pencil, make 1 small mark on wall through hole on adjustable anchor bracket (R). Move cabinet away from wall and screw 1 plastic anchor (S) into wall on pencil mark.
2. Place cabinet against wall, insert 1 screw (T) through hole on adjustable anchor bracket (R), then tighten to plastic anchor (S).

Option #2: Securing to Drywall and Wood Stud

1. Place cabinet against wall in desired location. Insert 1 screw (T) through hole on adjustable anchor bracket (R), then tighten through drywall and into wood stud .

*Tip: Anchor bracket (R) can be adjusted to correct distance from wall to cabinet as needed. Once adjusted, be sure to re-tighten bracket inside cabinet for stability



ATTENTION ADULTS: Cabinet should be checked periodically for damage or loose screws/parts. Take appropriate action necessary to correct hazards such as tightening of screws and taking any damaged parts away from children.

WARNING  Please make sure your item is secured to the wall, per assembly instructions.

CARE INSTRUCTIONS:

Wipe clean with a water dampened cloth. Wipe dry with clean cloth.

IMPORTANT:

Keep assembly instructions for future reference.

LISTA DE PIEZAS

N.º	DESCRIPCIÓN	CANT.
1	Tablero superior	1
2	Tablero lateral superior izquierdo	1
3	Tablero lateral superior derecho	1
4	Tablero inferior	1
5	Barra transversal superior	1
6	Puerta	1
7	Repisa ajustable	2
8	Tablero lateral inferior izquierdo	1
9	Tablero lateral inferior derecho	1
10	Tablero de conexión media	1
11	Repisa fija	2
12	Barra transversal inferior	1
13	Tablero delantero del cajón	1
14	Tablero trasero del cajón	1
15	Panel izquierdo del cajón	1
16	Panel derecho del cajón	1
17	Tablero inferior del cajón	1
18	Tablero trasero superior	1
19	Tablero trasero inferior	1
A	Pasador de madera	28
B	Perno de anclaje	26
D	Pestillo de leva	26
E	Tornillo (3x10mm)	4
F	Tornillo (3,5x14mm)	12
G	Bisagra	2
H	Tornillo para metales (4x16mm)	2
J	Tornillo (2,5x10mm)	24
K	Tornillo (4x12mm)	1
L	Tornillo (4x30mm)	9
M	Guía para el cajón	2
N	Tornillo para metales (4x10mm)	2
P	Soporte del estante	8

R	Soporte de anclaje ajustable	1
S	Anclaje plástico	1
T	Tornillo (4x40mm)	1
U	Perilla	2

HERRAMIENTAS NECESARIAS PARA EL ENSAMBLAJE: DESTORNILLADOR PLANO Y PHILLIPS (NO INCLUYEN). NO SE RECOMIENDA EL USO DE UN DESTORNILLADOR ELÉCTRICO PARA EL ENSAMBLAJE. NO UTILICE EL ARTÍCULO SI TIENE PIEZAS DAÑADAS O PIEZAS QUE FALTAN.

PASO 1

1. Atornille los 4 pernos de anclaje (B) en los agujeros correspondientes del tablero lateral superior derecho (3).
2. Atornille los 4 pernos de anclaje (B) en los agujeros correspondientes del tablero lateral superior izquierdo (2).
3. Atornille los 3 pernos de anclaje (B) en los agujeros correspondientes del tablero lateral inferior derecho (9).
4. Atornille los 3 pernos de anclaje (B) en los agujeros correspondientes del tablero lateral inferior izquierdo (8).
5. Atornille los 4 pernos de anclaje (B) en los agujeros correspondientes del tablero superior (1).
6. Atornille los 4 pernos de anclaje (B) en los agujeros correspondientes del tablero de conexión media (10).
7. Atornille los 4 pernos de anclaje (B) en los agujeros correspondientes del tablero delantero del cajón (13).

PASO 2

1. Fije el soporte de anclaje regulable (R) al tablero superior (1) insertando 1 tornillo (K) a través del agujero del soporte de anclaje regulable (R) y, luego, ajústelo al tablero superior (1).
2. Fije las 2 bisagras (G) a la puerta (6) insertando 4 tornillos (F) a través de los agujeros de las bisagras (G) y, luego, ajústelos a la puerta (6).

PASO 3

1. Fije la guía del cajón (M) al tablero lateral inferior derecho (9) insertando 2 tornillos (E) a través de los agujeros de la guía del cajón (M) y, luego, ajústelos al tablero (9). Compruebe que los tornillos se ajusten en los agujeros correspondientes según los detalles del dibujo.
2. Repita el paso anterior para fijar la guía del cajón (M) al tablero lateral inferior izquierdo (8).

PASO 4

1. Inserte los 5 pasadores de madera (A) en los agujeros correspondientes del tablero lateral superior izquierdo (2).
2. Coloque 2 repisas fijas (11) y la barra transversal superior (5) al tablero lateral superior izquierdo (2) insertando pernos de anclaje en los agujeros de los cierres de anclaje y pasadores de madera en los agujeros correspondientes de las repisas fijas (11) y la barra transversal superior (5).
3. Inserte los 4 pernos de anclaje (D) en los agujeros correspondientes de las repisas fijas (11) y, luego, gírelos en el sentido de las agujas del reloj para ajustar los pernos (B).

PASO 5

1. Inserte los 5 pasadores de madera (A) en los agujeros correspondientes de las repisas fijas (11) y de la barra transversal superior (5).
 2. Fije el tablero lateral superior derecho (3) a las repisas fijas (11) y la barra transversal superior (5) insertando pernos de anclaje en los agujeros de los cierres de anclaje de las repisas fijas (11) y pasadores de madera en los agujeros correspondientes del tablero lateral superior derecho (3).
 3. Inserte los 4 pernos de anclaje (D) en las repisas fijas (11) y, luego, gírelos en el sentido de las agujas del reloj para ajustarlos (B).
-

PASO 6

1. Inserte los 4 pasadores de madera (A) en los agujeros correspondientes del tablero lateral superior izquierdo (2) y del tablero lateral superior derecho (3).
 2. Fije el tablero superior (1) al tablero lateral superior izquierdo (2) y al tablero lateral superior derecho (3) insertando pernos de anclaje en los agujeros de los cierres de anclaje del tablero lateral superior izquierdo (2) y del tablero lateral superior derecho (3) e insertando pasadores de madera en los agujeros correspondientes del tablero superior (1).
 3. Inserte 4 cierres de anclaje (D) en el tablero lateral superior izquierdo (2) y en el tablero lateral superior derecho (3) y, luego, gírelos en el sentido de las agujas del reloj para ajustarlos (B).
-

PASO 7

1. Inserte 1 tornillo (L) a través del agujero de la barra transversal superior (5) y, luego, ajústelo al tablero superior (1).
 2. Inserte los 4 pasadores de madera (A) en los agujeros correspondientes del tablero lateral superior izquierdo (2) y del tablero lateral superior derecho (3).
 3. Fije el tablero de conexión media (10) al tablero lateral superior izquierdo (2) y al tablero lateral superior derecho (3) insertando pasadores de madera (A) en los agujeros correspondientes del tablero de conexión media (10).
 4. Inserte los 4 tornillos (L) a través de los agujeros del tablero de conexión media (10) y, luego, ajústelos al tablero lateral superior izquierdo (2) y al tablero lateral superior derecho (3).
-

PASO 8

1. Inserte los 3 pasadores de madera (A) en el tablero lateral superior inferior izquierdo (8).
 2. Conecte el tablero base (4) y la barra transversal inferior (12) al tablero lateral inferior izquierdo (8) insertando pernos de anclaje en los agujeros de cierres de anclaje y pasadores de madera en los agujeros correspondientes del tablero base (4) y la barra transversal inferior (12).
 3. Inserte los 3 cierres de anclaje (D) en los agujeros correspondientes del tablero base (4) y de la barra transversal delantera (12) y, luego, gírelos en el sentido de las agujas del reloj para ajustar los pernos de anclaje (B).
-

PASO 9

1. Inserte los 3 pasadores de madera (A) en el tablero lateral inferior derecho (9).
 2. Fije el tablero lateral inferior derecho (9) al tablero base (4) y a la barra transversal inferior (12) insertando pernos de anclaje en los agujeros de los cierres de anclaje y pasadores de madera en los agujeros correspondientes del tablero base (4) y de la barra transversal inferior (12).
 3. Inserte los 3 cierres de anclaje (D) en el tablero base (4) y la barra transversal inferior (12) y, luego, gírelos en el sentido de las agujas del reloj para ajustar los pernos de anclaje (A).
-

PASO 10

1. Inserte 4 pasadores de madera (A) en el tablero lateral inferior izquierdo (8) y en el tablero lateral inferior derecho (9).
2. Fije la unidad superior ensamblada al tablero lateral inferior izquierdo (8) y al tablero lateral inferior derecho (9) insertando pasadores de madera en los agujeros correspondientes del

- tablero de conexión central (10) y pernos de anclaje en los agujeros de los cierres de anclaje del tablero lateral inferior izquierdo (8) y del tablero lateral inferior derecho (9).
3. Inserte los 4 cierres de anclaje (D) en el tablero lateral inferior izquierdo (8) y el tablero lateral inferior derecho (9) y, luego, gírelos en el sentido de las agujas del reloj para ajustar los pernos de anclaje (B).
-

PASO 11

1. Fije el tablero trasero superior (18) y el tablero trasero inferior (19) a la parte trasera del gabinete insertando los 24 tornillos (J) a través de los agujeros del tablero trasero superior (18) y del tablero trasero inferior (19) y, luego, ajústelos.
-

PASO 12

1. Fije la puerta (6) al tablero lateral inferior derecho (9) insertando los 8 tornillos (F) a través de los agujeros de las bisagras (G) y, luego, ajústelos al tablero lateral inferior derecho (9).
 2. Fije la perilla (U) a la puerta (6) insertando 1 tornillo (H) a través del agujero de la puerta (6) y, luego, ajústelo a la perilla (U).
-

PASO 13

1. Fije el tablero lateral izquierdo del cajón (15) y el tablero lateral derecho del cajón (16) al tablero delantero del cajón (13) insertando 4 pernos de anclaje (B) en los agujeros correspondientes del tablero lateral izquierdo del cajón (15) y del tablero lateral derecho del cajón (16).
 2. Inserte 4 cierres de anclaje (D) en los agujeros correspondientes del tablero lateral izquierdo (15) y el tablero lateral derecho (16) y, luego, gírelos en el sentido de las agujas del reloj para ajustar los pernos de anclaje (B).
 3. Deslice el tablero base del cajón (17) en las ranuras del tablero lateral izquierdo (15), del tablero lateral derecho (16) y del tablero delantero (13) del cajón.
 4. Fije el tablero trasero del cajón (14) al tablero lateral izquierdo del cajón (15) y al tablero lateral derecho del cajón (16) insertando 4 tornillos (L) a través de los agujeros del tablero lateral izquierdo del cajón (15) y del tablero lateral derecho del cajón (16) y, luego, ajústelos al tablero trasero del cajón (14). Asegúrese de que el tablero base (17) se deslice por la ranura del tablero trasero (14).
 5. Fije la perilla (U) al tablero delantero del cajón (13) insertando 1 tornillo (H) a través del agujero del tablero delantero del cajón (13) y, luego, ajuste la perilla (U).
-

PASO 14

1. Deslice el cajón dentro del gabinete deslizando la guía del cajón (M) en las ranuras del tablero lateral izquierdo del cajón (15) y del tablero lateral derecho del cajón (16). Saque el cajón y ajuste las correderas (M) para que se extiendan completamente hacia la tabla delantera del cajón (13). Inserte 2 tornillos de punta plana (N) a través de los agujeros del tablero lateral izquierdo del cajón (15) y del tablero lateral derecho del cajón (16) y, luego, ajústelos a las guías del cajón (M).
-

PASO 15

1. Inserte los 8 soportes de repisas (P) en los agujeros del tablero lateral inferior izquierdo (8) y el tablero lateral inferior derecho (9). Asegúrese de que los 4 soportes de cada repisa (P) estén a la misma altura.
 2. Coloque las repisas regulables (7) sobre los soportes de las repisas (P).
-

PASO 16

Opción n.º 1: Fijar a una pared de yeso

1. Ubique el gabinete contra una pared en el lugar deseado. Con un lápiz, realice 1 marca pequeñas en la pared a través del agujero del soporte de anclaje regulable (R). Aleje el gabinete de la pared y atornille 1 anclaje de plástico (S) en la pared sobre la marca que realizó con el lápiz.

2. Ubique el gabinete contra la pared, inserte 1 tornillo (T) a través del agujero del soporte de anclaje regulable (R) y, luego, ajústelo al anclaje de plástico (S).

Opción n.º 2: Fijar a una pared de yeso y a un montante de madera

1. Coloque el gabinete contra una pared en el lugar deseado. Inserte 1 tornillo (T) a través del agujero del soporte de anclaje regulable (R) y, luego, ajústelo a través de la pared de yeso al montante de madera.

*Sugerencia: El soporte de anclaje (R) puede regularse para modificar la distancia entre la pared y el gabinete según sea necesario. Una vez que esté en su lugar, asegúrese de volver a ajustar el soporte dentro del gabinete para que todo se mantenga estable.

Atención adultos: Deben revisar el gabinete periódicamente para ver si hay tornillos/piezas dañadas o sueltas. Tomen una acción adecuada y necesaria para corregir los peligros, tal como apretar los tornillos y alejar cualquier pieza dañada de los niños.

ADVERTENCIA  **Asegúrese de que su artículo esté fijo a la pared, según las instrucciones de ensamblaje.**

INSTRUCCIONES DE CUIDADO:

Limpiar con un paño humedecido en agua. Secar con un paño limpio.

IMPORTANTE:

Guarde las instrucciones de ensamblaje para futuras referencias.

LISTE DES PIÈCES

N°	DESCRIPTION	QTÉ
1	Plaque supérieure	1
2	Plaque latérale supérieure gauche	1
3	Plaque latérale supérieure droite	1
4	Plaque inférieure	1
5	Barre transversale supérieure	1
6	Porte	1
7	Étagère réglable	2
8	Plaque latérale inférieure gauche	1
9	Plaque latérale inférieure droite	1
10	Plaque de raccordement intermédiaire	1
11	Étagère fixe	2
12	Barre transversale inférieure	1
13	Plaque avant du tiroir	1
14	Plaque arrière du tiroir	1
15	Panneau latéral gauche de tiroir	1
16	Panneau latéral droit de tiroir	1
17	Plaque inférieure du tiroir	1
18	Plaque arrière supérieure	1
19	Plaque arrière inférieure	1
A	Goujon en bois	28
B	Vis de came	26
D	Verrou de came	26
E	Vis (3x10mm)	4
F	Vis (3,5x14mm)	12
G	Charnière	2
H	Vis mécanique (4x16mm)	2
J	Vis (2,5x10mm)	24
K	Vis (4x12mm)	1
L	Vis (4x30mm)	9
M	Glissière à tiroir	2
N	Vis mécanique (4x10mm)	2
P	Support d'étagère	8
R	Support d'ancrage réglable	1

S	Ancrage en plastique	1
T	Vis (4x40mm)	1
U	Bouton	2

OUTILS NÉCESSAIRES POUR L'ASSEMBLAGE : TOURNEVIS À TÊTE PLATE ET À POINTE CRUCIFORME (NON FOURNIS). NOUS DÉCONSEILLONS D'UTILISER UN TOURNEVIS ÉLECTRIQUE POUR L'ASSEMBLAGE. N'UTILISEZ PAS CET ARTICLE SI UNE PIÈCE EST MANQUANTE OU ENDOMMAGÉE.

ÉTAPE 1

1. Vissez 4 boulons à came (B) dans les trous de boulons à came sur la planche latérale droite supérieure (3).
2. Vissez 4 boulons à came (B) dans les trous de boulons à came sur la planche latérale gauche supérieure (2).
3. Vissez 3 boulons à came (B) dans les trous de boulons à came sur la planche latérale droite inférieure (9).
4. Vissez 3 boulons à came (B) dans les trous de boulons à came sur la planche latérale gauche inférieure (8).
5. Vissez 4 boulons à came (B) dans les trous de boulons à came sur la planche supérieure (1).
6. Vissez 4 boulons à came (B) dans les trous de boulons à came sur la planche de connexion intermédiaire (10).
7. Vissez 4 boulons à came (B) dans les trous de boulons à came sur la façade du tiroir (13).

ÉTAPE 2

1. Fixez un support d'ancrage réglable (R) sur la planche supérieure (1) en insérant 1 vis (K) dans le trou du support d'ancrage réglable (R), puis vissez-la dans la planche supérieure (1).
2. Fixez 2 charnières (G) sur la porte (6) en insérant 4 vis (F) dans les trous des charnières (G), puis vissez-les à la porte (6).

ÉTAPE 3

1. Fixez la glissière du tiroir (M) à la planche latérale inférieure droite (9) en insérant 2 vis (E) dans les trous de la glissière du tiroir (M), puis vissez la glissière à la planche latérale inférieure droite (9). Assurez-vous que les vis sont bien serrées pour corriger les trous selon les détails du dessin.
2. Répétez l'étape ci-dessus pour fixer la glissière du tiroir (M) à la planche inférieure gauche (8).

ÉTAPE 4

1. Insérez 5 chevilles à bois (A) dans les trous de chevilles de la planche latérale gauche supérieure (2).
2. Fixez 2 étagères fixes (11) et la barre transversale supérieure (5) à la planche latérale gauche supérieure (2) en insérant des boulons à came dans les trous de verrouillage à came et en insérant des chevilles à bois dans les trous de chevilles des étagères fixes (11) et de la barre transversale supérieure (5).
3. Insérez 4 verrous à came (D) dans les trous de verrouillage à came des étagères fixes (11), puis tournez dans le sens des aiguilles d'une montre pour maintenir les boulons à came (B) en place.

ÉTAPE 5

1. Insérez 5 chevilles à bois (A) dans les trous de cheville des étagères fixes (11) et de la barre transversale supérieure (5).
 2. Fixez la planche latérale supérieure droite (3) aux étagères fixes (11) et à la barre transversale supérieure (5) en insérant des boulons à came dans les trous de verrouillage à came des étagères fixes (11) et en insérant des chevilles en bois dans les trous de chevilles de la planche latérale supérieure droite (3).
 3. Insérez 4 verrous à came (D) dans les étagères fixes (11), puis tournez dans le sens des aiguilles d'une montre pour maintenir les boulons à came (B) en place.
-

ÉTAPE 6

1. Insérez 4 chevilles à bois (A) dans les trous de cheville sur la planche latérale gauche supérieure (2) et sur la planche latérale droite supérieure (3).
 2. Fixez la planche supérieure (1) à la planche latérale gauche supérieure (2) et à la planche latérale droite supérieure (3) en insérant des boulons à came dans les trous de verrouillage à came de la planche latérale gauche supérieure (2) et de la planche latérale droite supérieure (3) et en insérant des chevilles à bois dans les trous de chevilles de la planche supérieure (1).
 3. Insérez 4 verrous à came (D) dans la planche latérale gauche supérieure (2) et dans la planche latérale droite supérieure (3), puis tournez dans le sens des aiguilles d'une montre pour maintenir les boulons à came (B) en place.
-

ÉTAPE 7

1. Insérez 1 vis (L) dans le trou de la barre transversale supérieure (5), puis vissez-la à la planche supérieure (1).
 2. Insérez 4 chevilles à bois (A) dans les trous de cheville sur la planche latérale gauche supérieure (2) et sur la planche latérale droite supérieure (3).
 3. Fixez la planche de connexion intermédiaire (10) à la planche latérale supérieure gauche (2) et à la planche latérale supérieure droite (3) en insérant des chevilles à bois (A) dans les trous de chevilles de la planche de connexion intermédiaire (10).
 4. Insérez 4 vis (L) dans les trous de la planche de connexion intermédiaire (10), puis vissez-la à la planche latérale supérieure gauche (2) et à la planche latérale supérieure droite (3).
-

ÉTAPE 8

1. Insérez 3 chevilles à bois (A) dans la planche latérale gauche inférieure (8).
 2. Fixez la planche inférieure (4) et la barre transversale inférieure (12) à la planche latérale gauche inférieure (8) en insérant des boulons à came dans les trous de verrouillage à came et en insérant des chevilles à bois dans les trous de chevilles de la planche inférieure (4) et de la barre transversale inférieure (12).
 3. Insérez 3 verrous à came (D) dans les trous de verrouillage à came sur la planche inférieure (4) et sur la barre transversale inférieure (12), puis tournez dans le sens des aiguilles d'une montre pour maintenir les boulons à came (B) en place.
-

ÉTAPE 9

1. Insérez 3 chevilles à bois (A) dans la planche latérale droite inférieure (9).
 2. Fixez la planche latérale droite inférieure (9) à la planche inférieure (4) et à la barre transversale inférieure (12) en insérant des boulons à came dans les trous de verrouillage à came et en insérant des chevilles à bois dans les trous de chevilles de la planche inférieure (4) et de la barre transversale inférieure (12).
 3. Insérez 3 verrous à came (D) dans la planche inférieure (4) et dans la barre transversale inférieure (12), puis tournez dans le sens des aiguilles d'une montre pour maintenir les boulons à came (B) en place.
-

ÉTAPE 10

1. Insérez 4 chevilles à bois (A) dans la planche latérale gauche inférieure (8) et la planche latérale droite inférieure (9).

2. Fixez l'unité supérieure assemblée à la planche latérale inférieure gauche (8) et à la planche latérale inférieure droite (9) en insérant des chevilles à bois dans les trous de chevilles de la planche de connexion intermédiaire (10) et en insérant des boulons à came dans les trous de verrouillage à came de la planche latérale inférieure gauche (8) et de la planche latérale inférieure droite (9).
 3. Insérez 4 verrous à came (D) dans la planche latérale gauche inférieure (8) et dans la planche latérale droite inférieure (9), puis tournez dans le sens des aiguilles d'une montre pour maintenir les boulons à came (B) en place.
-

ÉTAPE 11

1. Fixez la planche arrière supérieure (18) et la planche arrière inférieure (19) à l'arrière de l'armoire en insérant 24 vis (J) dans les trous de la planche arrière supérieure (18) et de la planche arrière inférieure (19), puis en les vissant à l'arrière de l'armoire.
-

ÉTAPE 12

1. Fixez la porte (6) sur la planche latérale droite inférieure (9) en insérant 8 vis (F) dans les trous des charnières (G), puis en les vissant dans la planche latérale droite inférieure (9).
 2. Fixez un bouton (U) sur la porte (6) en insérant 1 vis (H) dans le trou de la porte (6), puis en la vissant sur le bouton (U).
-

ÉTAPE 13

1. Fixez le panneau latéral gauche du tiroir (15) et le panneau latéral droit du tiroir (16) à la façade du tiroir (13) en insérant 4 boulons à came (B) dans les trous de boulons à came du panneau latéral gauche du tiroir (15) et du panneau latéral droit du tiroir (16).
 2. Insérez 4 verrous à came (D) dans les trous de verrouillage à came du panneau latéral gauche (15) et du panneau latéral droit (16) du tiroir, puis tournez dans le sens des aiguilles d'une montre pour maintenir les boulons à came (B) en place.
 3. Glissez la planche inférieure du tiroir (17) dans les rainures du panneau latéral gauche du tiroir (15), du panneau latéral droit du tiroir (16) et de la façade du tiroir (13).
 4. Fixez la planche arrière du tiroir (14) au panneau latéral gauche du tiroir (15) et au panneau latéral droit du tiroir (16) en insérant 4 vis (L) dans les trous du panneau latéral gauche du tiroir (15) et du panneau latéral droit du tiroir (16), puis vissez à la planche arrière du tiroir (14). Veillez à ce que la planche inférieure (17) se glisse dans la rainure de la planche arrière du tiroir (14).
 5. Fixez le bouton (U) sur la façade du tiroir (13) en insérant 1 vis (H) dans le trou de la façade du tiroir (13), puis vissez dans le bouton (U).
-

ÉTAPE 14

1. Introduisez le tiroir dans l'armoire en faisant glisser la glissière du tiroir (M) dans les rainures du panneau latéral gauche du tiroir (15) et du panneau latéral droit du tiroir (16). Retirez complètement le tiroir et réglez les glissières de tiroir (M) afin qu'elles soient entièrement sorties contre la façade du tiroir (13). Insérez 2 vis mécaniques (N) dans les trous du panneau latéral gauche du tiroir (15) et du panneau latéral droit du tiroir (16), puis vissez-les sur les glissières du tiroir (M).
-

ÉTAPE 15

1. Insérez 8 porte-étagères (P) dans les trous de la planche latérale gauche inférieure (8) et de la planche latérale droite inférieure (9), en vous assurant que les 4 porte-étagères (P) sont au même niveau.
 2. Placez les étagères réglables (7) sur les porte-étagères (P).
-

ÉTAPE 16

Option 1 : Fixation sur des cloisons sèches

1. Placez l'armoire contre le mur à l'endroit désiré. À l'aide d'un crayon, faites une petite marque sur le mur à travers le trou du support d'ancrage réglable (R). Éloignez l'armoire du mur et vissez 1 ancrage en plastique (S) dans le mur sur la marque de crayon.
2. Placez l'étagère contre le mur, insérez 1 vis (T) dans le trou du support d'ancrage réglable (R), puis vissez-la dans l'ancrage en plastique (S).

Option 2 : Fixation sur des cloisons sèches et des montants en bois

1. Placez l'armoire contre le mur à l'endroit désiré. Insérez 1 vis (T) dans le trou du support d'ancrage réglable (R), puis vissez-la à travers la cloison sèche et dans le montant en bois.

*Conseil : Le support d'ancrage (R) peut être réglé pour corriger la distance entre le mur et l'armoire selon les besoins. Une fois qu'il est réglé, veillez à resserrer le support dans l'armoire pour plus de stabilité.

NÉCESSITE L'ATTENTION DES ADULTES : Vérifiez régulièrement si l'armoire est endommagée, si des vis sont desserrées ou si des pièces sont détachées. Pour éliminer les dangers, prenez les mesures nécessaires, comme serrer les vis et éloigner les pièces endommagées des enfants.

AVERTISSEMENT  Vérifiez que votre article est bien fixé sur le mur, conformément aux instructions d'assemblage.

INSTRUCTIONS D'ENTRETIEN:

Nettoyez avec un chiffon humide. Séchez avec un chiffon propre.

IMPORTANT:
Conservez les instructions d'assemblage
pour toute référence ultérieure

TEILELISTE

Nr.	BESCHREIBUNG	ANZ.
1	Oberstes Brett	1
2	Oberes linkes Seitenteil	1
3	Oberes rechtes Seitenteil	1
4	Unterstes Brett	1
5	Obere Querleiste	1
6	Tür	1
7	Verstellbarer Regalboden	2
8	Linkes unteres Seitenteil	1
9	Rechtes unteres Seitenteil	1
10	Mittleres Verbindungsbrett	1
11	Fester Regalboden	2
12	Untere Querleiste	1
13	Schublade, vorderes Brett	1
14	Schublade, hinteres Brett	1
15	Schublade, linkes Seitenteil	1
16	Schublade, rechtes Seitenteil	1
17	Schublade, unterstes Brett	1
18	Obere Rückwand	1
19	Untere Rückwand	1
A	Holzdübel	28
B	Korpusverbinder-Bolzen	26
D	Korpusverbinder-Exzentergehäuse	26
E	Schraube (3x10mm)	4
F	Schraube (3,5x14mm)	12
G	Scharnier	2
H	Maschinenschraube (4x16mm)	2
J	Schraube (2,5x10mm)	24
K	Schraube (4x12mm)	1
L	Schraube (4x30mm)	9
M	Schubladenführung	2
N	Maschinenschraube (4x10mm)	2
P	Regalbodenhalterung	8
R	Einstellbarer Ankerbügel	1

S	Kunststoffdübel	1
T	Schraube (4x40mm)	1
U	Knauf	2

FÜR DIE MONTAGE BENÖTIGTE WERKZEUGE: FLACH- UND KREUZSCHLITZSCHRAUBENDREHER (NICHT ENTHALTEN). DIE VERWENDUNG EINES ELEKTRISCHEN SCHRAUBENDREHERS WIRD FÜR DIE MONTAGE NICHT EMPFOHLEN. VERWENDEN SIE DEN ARTIKEL NICHT, WENN TEILE FEHLEN ODER BESCHÄDIGT SIND.

SCHRITT 1

1. Schrauben Sie 4 Korpusverbinder-Bolzen (B) in die Korpusverbinder-Bolzenbohrungen des oberen rechten Seitenteils (3).
2. Schrauben Sie 4 Korpusverbinder-Bolzen (B) in die Korpusverbinder-Bolzenbohrungen des oberen linken Seitenteils (2).
3. Schrauben Sie 3 Korpusverbinder-Bolzen (B) in die Korpusverbinder-Bolzenbohrungen des rechten unteren Seitenteils (9).
4. Schrauben Sie 3 Korpusverbinder-Bolzen (B) in die Korpusverbinder-Bolzenbohrungen des linken unteren Seitenteils (8).
5. Schrauben Sie 4 Korpusverbinder-Bolzen (B) in die Korpusverbinder-Bolzenbohrungen des obersten Bretts (1).
6. Schrauben Sie 4 Korpusverbinder-Bolzen (B) in die Korpusverbinder-Bolzenbohrungen des mittleren Verbindungsbretts (10).
7. Schrauben Sie 4 Korpusverbinder-Bolzen (B) in die Korpusverbinder-Bolzenbohrungen des vorderen Schubladenbretts (13).

SCHRITT 2

1. Befestigen Sie den einstellbaren Ankerbügel (R) am obersten Brett (1), indem Sie 1 Schraube (K) durch das Loch des einstellbaren Ankerbügels (R) stecken und dann am obersten Brett (1) festziehen.
2. Bringen Sie 2 Scharniere (G) an der Tür (6) an, indem Sie 4 Schrauben (F) durch die Löcher der Scharniere (G) stecken und dann an der Tür (6) festziehen.

SCHRITT 3

1. Befestigen Sie die Schubladenführung (M) am rechten unteren Seitenteil (9), indem Sie 2 Schrauben (E) durch die Löcher der Schubladenführung (M) stecken und sie dann am rechten unteren Seitenteil (9) festziehen. Achten Sie auf die Zeichnungsdetails, um die Schrauben in den richtigen Löchern festzuziehen.
2. Wiederholen Sie den obigen Schritt, um am linken unteren Seitenteil (8) eine Schubladenführung (M) anzubringen.

SCHRITT 4

1. Setzen Sie 5 Holzdübel (A) in die Holzdübelbohrungen des oberen linken Seitenteils (2) ein.
2. Befestigen Sie 2 feste Regalböden (11) und die obere Querleiste (5) am oberen linken Seitenteil (2), indem Sie die Korpusverbinder-Bolzen in die Korpusverbinder-

Exzentergehäusebohrungen einsetzen und die Holzdübel in die Holzdübelbohrungen der festen Regalböden (11) und der oberen Querleiste (5) einsetzen.

3. Setzen Sie 4 Korpusverbinder-Exzentergehäuse (D) in die Korpusverbinder-Exzentergehäusebohrungen der festen Regalböden (11) ein und drehen Sie sie dann im Uhrzeigersinn, um die Korpusverbinder-Bolzen (B) zu fixieren.
-

SCHRITT 5

1. Setzen Sie 5 Holzdübel (A) in die Holzdübelbohrungen der festen Regalböden (11) und der oberen Querleiste (5) ein.
 2. Befestigen Sie das obere rechte Seitenteil (3) an den festen Regalböden (11) und der oberen Querleiste (5), indem Sie die Korpusverbinder-Bolzen in die Korpusverbinder-Exzentergehäusebohrungen der festen Regalböden (11) und die Holzdübel in die Holzdübelbohrungen des oberen rechten Seitenteils (3) einsetzen.
 3. Setzen Sie 4 Korpusverbinder-Exzentergehäuse (D) in die festen Regalböden (11) ein und drehen Sie sie dann im Uhrzeigersinn, um die Korpusverbinder-Bolzen (B) zu fixieren.
-

SCHRITT 6

1. Setzen Sie 4 Holzdübel (A) in die Holzdübelbohrungen des oberen linken Seitenteils (2) und des oberen rechten Seitenteils (3) ein.
 2. Befestigen Sie das oberste Brett (1) am oberen linken Seitenteil (2) und am oberen rechten Seitenteil (3), indem Sie die Korpusverbinder-Bolzen in die Korpusverbinder-Exzentergehäusebohrungen des oberen linken Seitenteils (2) und des oberen rechten Seitenteils (3) einsetzen und die Holzdübel in die Holzdübelbohrungen des obersten Bretts (1) einsetzen.
 3. Setzen Sie 4 Korpusverbinder-Exzentergehäuse (D) in das obere linke Seitenteil (2) und das obere rechte Seitenteil (3) ein und drehen Sie sie dann im Uhrzeigersinn, um die Korpusverbinder-Bolzen (B) zu fixieren.
-

SCHRITT 7

1. Stecken Sie 1 Schraube (L) durch die Bohrung der oberen Querleiste (5) und ziehen Sie sie dann am obersten Brett (1) fest.
 2. Setzen Sie 4 Holzdübel (A) in die Holzdübelbohrungen des oberen linken Seitenteils (2) und des oberen rechten Seitenteils (3) ein.
 3. Bringen Sie das mittlere Verbindungsbrett (10) am oberen linken Seitenteil (2) und am oberen rechten Seitenteil (3) an, indem Sie die Holzdübel (A) in die Holzdübelbohrungen des mittleren Verbindungsbretts (10) einsetzen.
 4. Stecken Sie 4 Schrauben (L) durch die Bohrungen des mittleren Verbindungsbretts (10) und ziehen Sie sie dann am oberen linken Seitenteil (2) und am oberen rechten Seitenteil (3) fest.
-

SCHRITT 8

1. Setzen Sie 3 Holzdübel (A) in das linke untere Seitenteil (8) ein.
 2. Befestigen Sie das unterste Brett (4) und die untere Querleiste (12) am linken unteren Seitenteil (8), indem Sie die Korpusverbinder-Bolzen in die Korpusverbinder-Exzentergehäusebohrungen einsetzen und die Holzdübel in die Holzdübelbohrungen des untersten Bretts (4) und der unteren Querleiste (12) einsetzen.
 3. Setzen Sie 3 Korpusverbinder-Exzentergehäuse (D) in die Korpusverbinder-Exzentergehäusebohrungen des untersten Bretts (4) und der unteren Querleiste (12) ein und drehen Sie sie dann im Uhrzeigersinn, um die Korpusverbinder-Bolzen (B) zu fixieren.
-

SCHRITT 9

1. Setzen Sie 3 Holzdübel (A) in das rechte untere Seitenteil (9) ein.
2. Befestigen Sie das rechte untere Seitenteil (9) am untersten Brett (4) und an der unteren Querleiste (12), indem Sie die Korpusverbinder-Bolzen in die Korpusverbinder-Exzentergehäusebohrungen einsetzen und die Holzdübel in die Holzdübelbohrungen des untersten Bretts (4) und der unteren Querleiste (12) einsetzen.

3. Setzen Sie 3 Korpusverbinder-Exzentergehäuse (D) in das unterste Brett (4) und die untere Querleiste (12) ein und drehen Sie sie dann im Uhrzeigersinn, um die Korpusverbinder-Bolzen (B) zu fixieren.
-

SCHRITT 10

1. Setzen Sie 4 Holzdübel (A) in das linke untere Seitenteil (8) und das rechte untere Seitenteil (9) ein.
 2. Bringen Sie die zusammengebaute obere Einheit am linken unteren Seitenteil (8) und am rechten unteren Seitenteil (9) an, indem Sie die Holzdübel in die Holzdübelbohrungen des mittleren Verbindungsbretts (10) einsetzen und die Korpusverbinder-Bolzen in die Korpusverbinder-Exzentergehäusebohrungen des linken unteren Seitenteils (8) und des rechten unteren Seitenteils (9) einsetzen.
 3. Setzen Sie 4 Korpusverbinder-Exzentergehäuse (D) in das linke untere Seitenteil (8) und das rechte untere Seitenteil (9) ein und drehen Sie sie dann im Uhrzeigersinn, um die Korpusverbinder-Bolzen (B) zu fixieren.
-

SCHRITT 11

1. Befestigen Sie die obere Rückwand (18) und die untere Rückwand (19) an der Rückseite des Schrankes, indem Sie 24 Schrauben (J) durch die Bohrungen der oberen Rückwand (18) und der unteren Rückwand (19) stecken und an der Rückseite des Schrankes festschrauben.
-

SCHRITT 12

1. Befestigen Sie die Tür (6) am rechten unteren Seitenteil (9), indem Sie 8 Schrauben (F) durch die Öffnungen der Scharniere (G) stecken und sie dann am rechten unteren Seitenteil (9) festziehen.
 2. Befestigen Sie einen Knauf (U) an der Tür (6), indem Sie 1 Maschinenschraube (H) durch die Bohrung in der Tür (6) stecken und sie dann am Knauf (U) festschrauben.
-

SCHRITT 13

1. Befestigen Sie das linke Seitenteil der Schublade (15) und das rechte Seitenteil der Schublade (16) am vorderen Brett der Schublade (13), indem Sie 4 Korpusverbinder-Bolzen (B) in die Korpusverbinder-Bolzenbohrungen des linken Seitenteils der Schublade (15) und des rechten Seitenteils der Schublade (16) einsetzen.
 2. Setzen Sie 4 Korpusverbinder-Exzentergehäuse (D) in die Korpusverbinder-Exzentergehäusebohrungen des linken Seitenteils der Schublade (15) und des rechten Seitenteils der Schublade (16) ein und drehen Sie sie dann im Uhrzeigersinn, um die Korpusverbinder-Bolzen (B) zu fixieren.
 3. Schieben Sie das unterste Brett der Schublade (17) in die Nuten des linken Seitenteils der Schublade (15), des rechten Seitenteils der Schublade (16) und des vorderen Bretts der Schublade (13).
 4. Befestigen Sie das hintere Brett der Schublade (14) am linken Seitenteil der Schublade (15) und am rechten Seitenteil der Schublade (16), indem Sie 4 Schrauben (L) durch die Bohrungen des linken Seitenteils der Schublade (15) und des rechten Seitenteils der Schublade (16) stecken und sie dann am hinteren Brett der Schublade (14) festschrauben. Achten Sie darauf, dass das unterste Brett der Schublade (17) in die Nut des hinteren Bretts der Schublade (14) gleitet.
 5. Befestigen Sie einen Knauf (U) am vorderen Brett der Schublade (13), indem Sie 1 Schraube (H) durch die Bohrung des vorderen Bretts der Schublade (13) stecken und am Knauf (U) festschrauben.
-

SCHRITT 14

1. Schieben Sie die Schublade in den Schrank, indem Sie die Schubladenführung (M) in die Nuten des linken Seitenteils der Schublade (15) und des rechten Seitenteils der Schublade (16) schieben. Ziehen Sie die Schublade heraus und stellen Sie die Schubladenführungen (M) so ein, dass sie vollständig zum vorderen Schubladenbrett (13) hin ausgefahren sind. Stecken Sie 2 Maschinenschrauben (N) durch die Bohrungen des linken Seitenteils der Schublade (15) und des rechten Seitenteils der Schublade (16) und ziehen Sie sie dann an den Schubladenführungen (M) fest.

SCHRITT 15

1. Setzen Sie 8 Regalbodenhalterungen (P) in die Löcher des linken unteren Seitenteils (8) und des rechten unteren Seitenteils (9) ein und achten Sie darauf, dass sich jeweils 4 Regalbodenhalterungen (P) auf gleicher Höhe befinden.
2. Platzieren Sie die verstellbaren Regalböden (7) auf den Regalbodenhalterungen (P).

SCHRITT 16

Option 1: Befestigung an Trockenbauwand

1. Stellen Sie den Schrank an der Wand an der gewünschten Stelle auf. Machen Sie mit einem Bleistift durch das Loch des einstellbaren Ankerbügels (R) 1 kleine Markierung an der Wand. Entfernen Sie den Schrank von der Wand und schrauben Sie 1 Kunststoffdübel (S) an der Bleistiftmarkierung in die Wand.
2. Stellen Sie den Schrank an die Wand, stecken Sie 1 Schraube (T) durch das Loch des einstellbaren Ankerbügels (R) und ziehen Sie sie dann im Kunststoffdübel (S) fest.

Option 2: Befestigung an Trockenbauwand und Holzständer

1. Stellen Sie den Schrank an der Wand an der gewünschten Stelle auf. Stecken Sie 1 Schraube (T) durch das Loch des einstellbaren Ankerbügels (R) und ziehen Sie sie dann durch die Trockenbauwand hindurch im Holzbalken fest.

*Tipp: Der Ankerbügel (R) kann je nach Bedarf auf den richtigen Abstand von Wand zu Schrank eingestellt werden. Nach der Justierung muss die Halterung im Schrank zur Gewährleistung der Stabilität noch einmal festgezogen werden.

VORSICHTSHINWEIS FÜR ERWACHSENE: Der Schrank sollte regelmäßig auf Schäden oder lose Schrauben/Teile überprüft werden. Ergreifen Sie erforderliche Maßnahmen, um Gefahren zu beheben, wie das Anziehen von Schrauben und das Fernhalten beschädigter Teile von Kindern.

WARNUNG  **Bitte stellen Sie sicher, dass Ihr Artikel gemäß der Montageanleitung an der Wand befestigt ist.**

PFLEGEHINWEISE:

Mit einem mit Wasser angefeuchteten Tuch abwischen.
Mit einem sauberen Tuch trockenwischen.

WICHTIG:
Bewahren Sie die Montageanleitung zum späteren Nachschlagen auf.