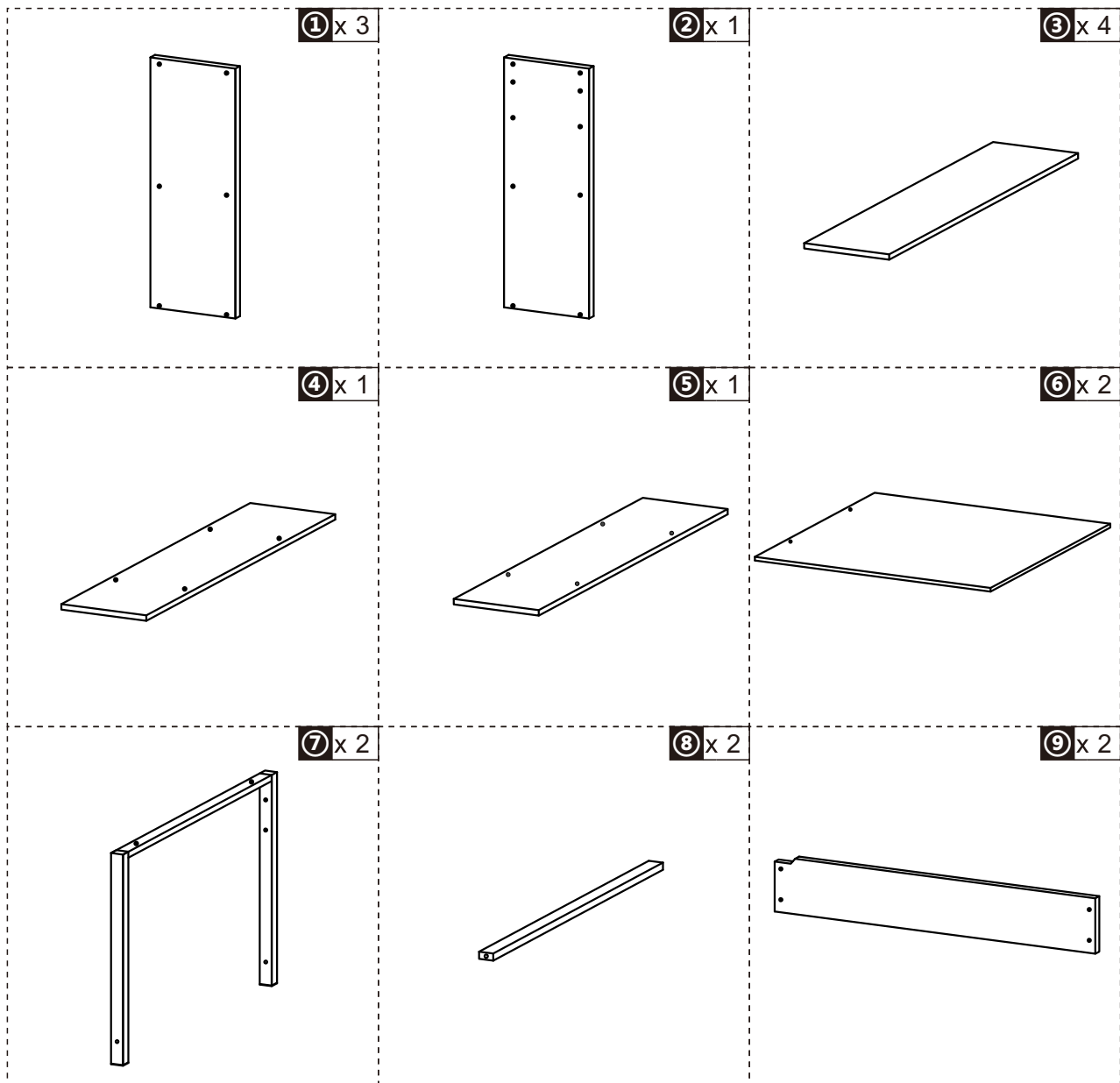


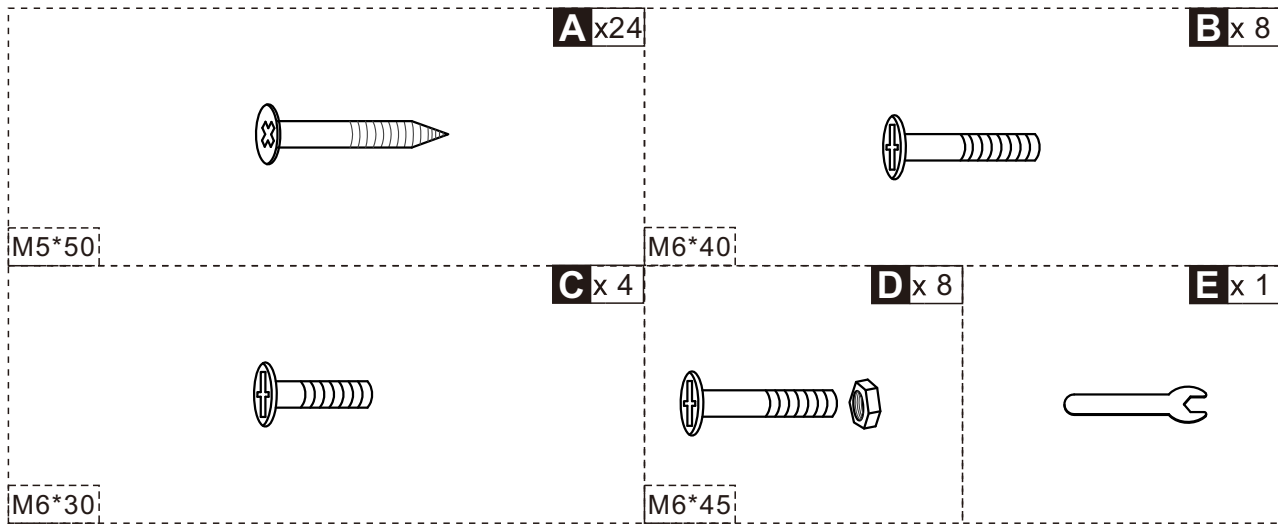
READ AND SAVE THIS INSTRUCTION FOR FUTURE USE

ASSEMBLY INSTRUCTION

PART LIST

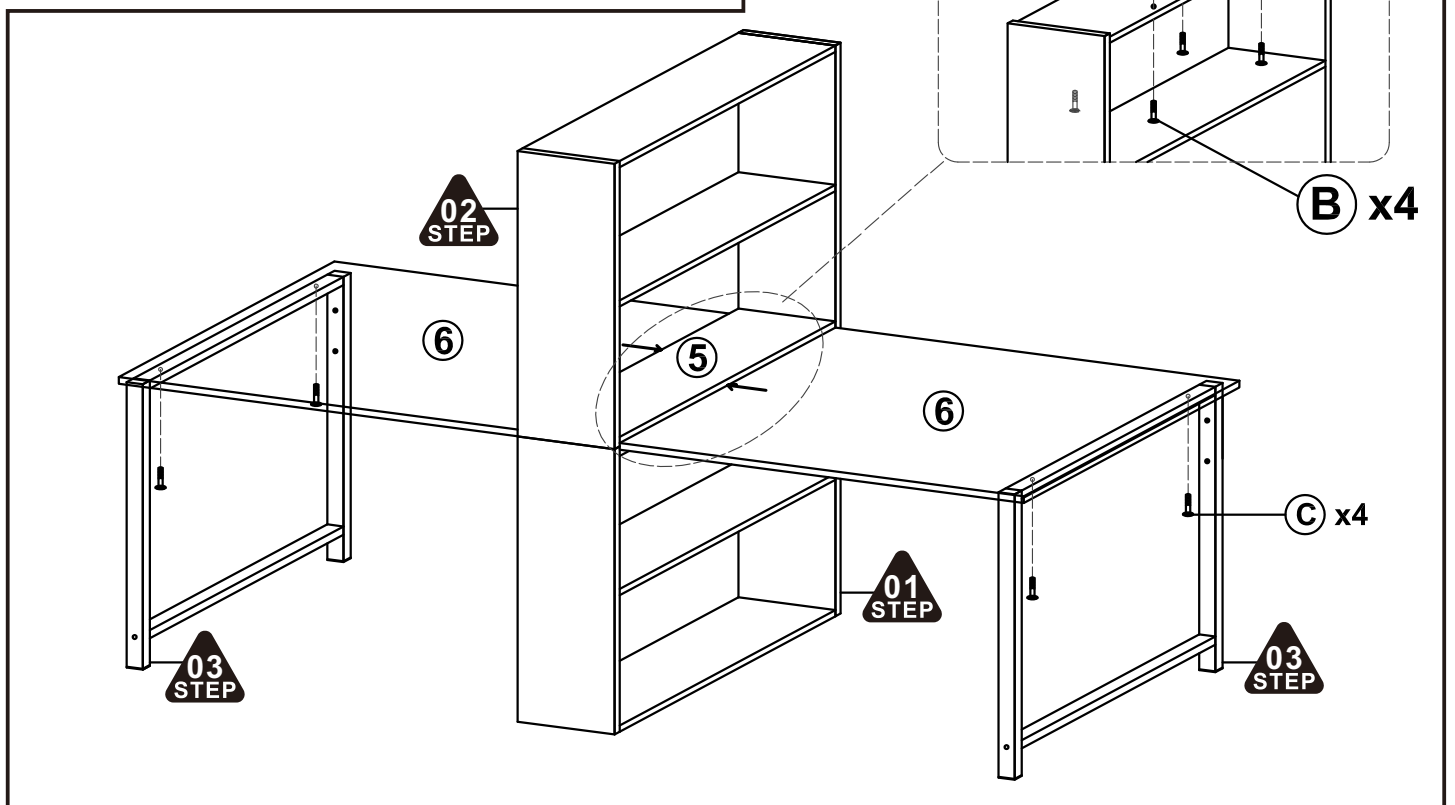
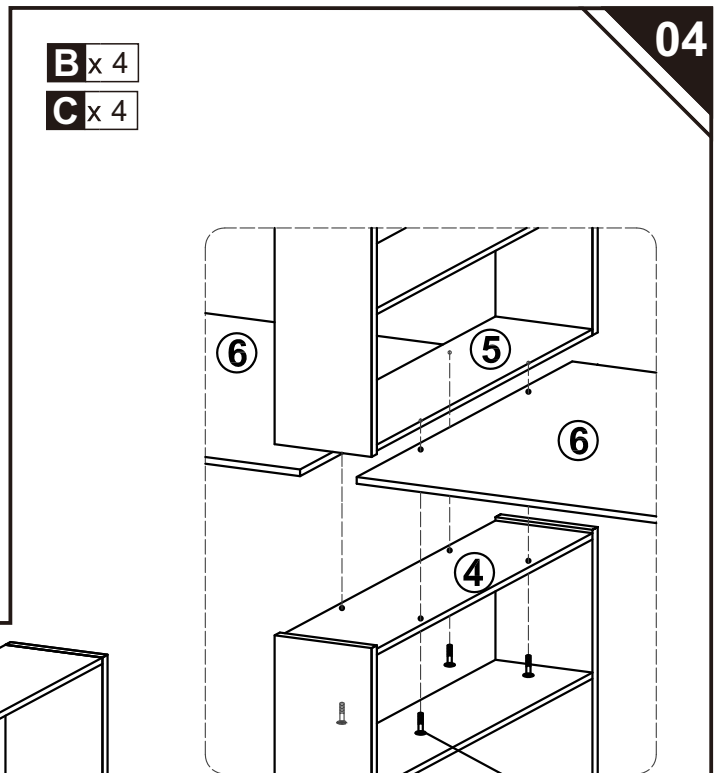
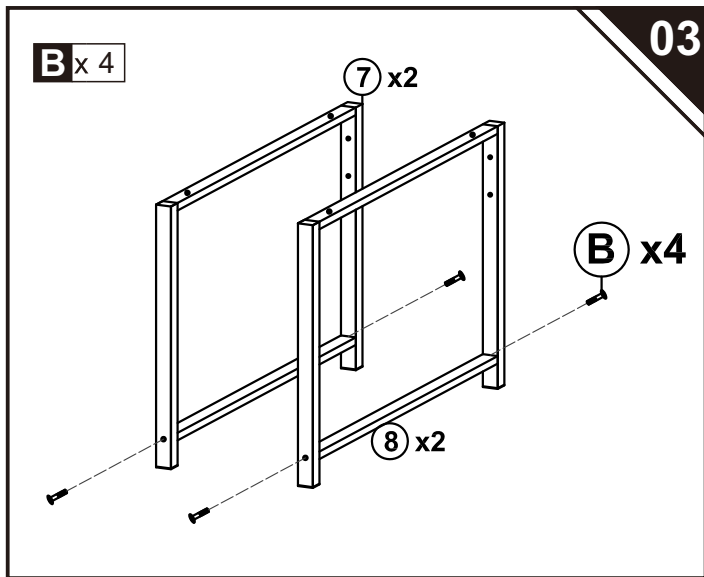
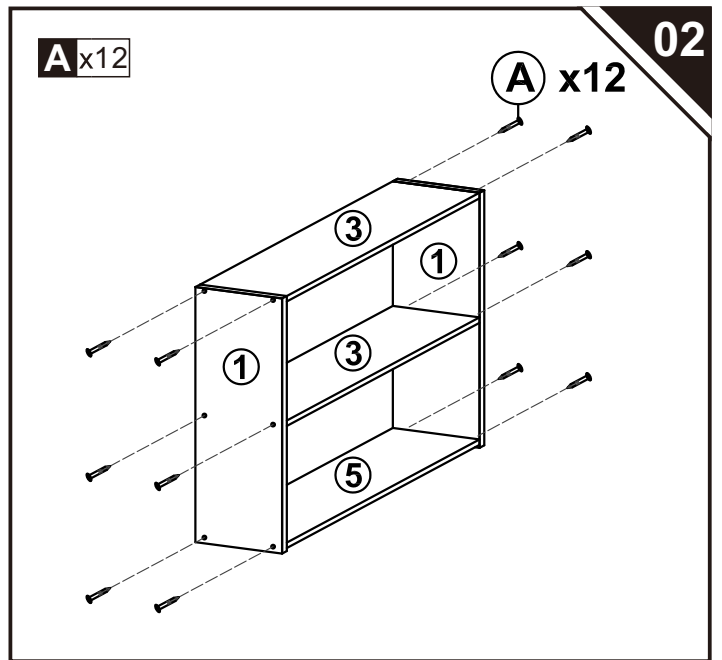
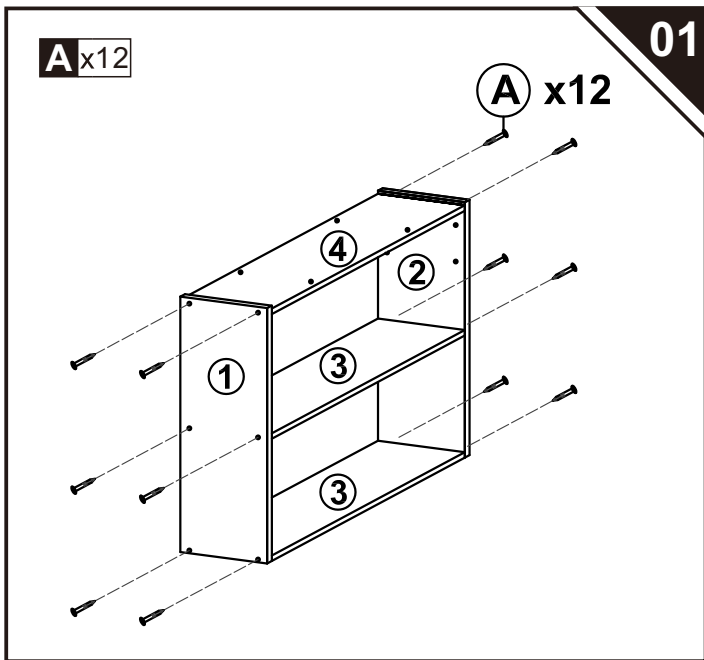


PART LIST



TOOLS RECOMMENDED





D x 8
E x 1

