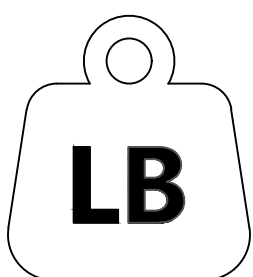


NOTE:

This brochure contains **IMPORTANT** safety info. Please read and keep for future reference.

MAINTAINANCE AND WARNING

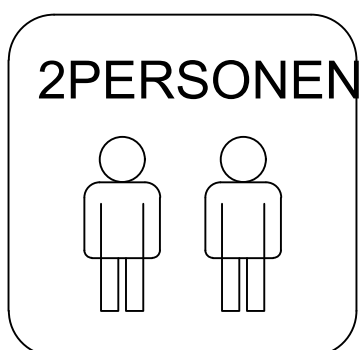
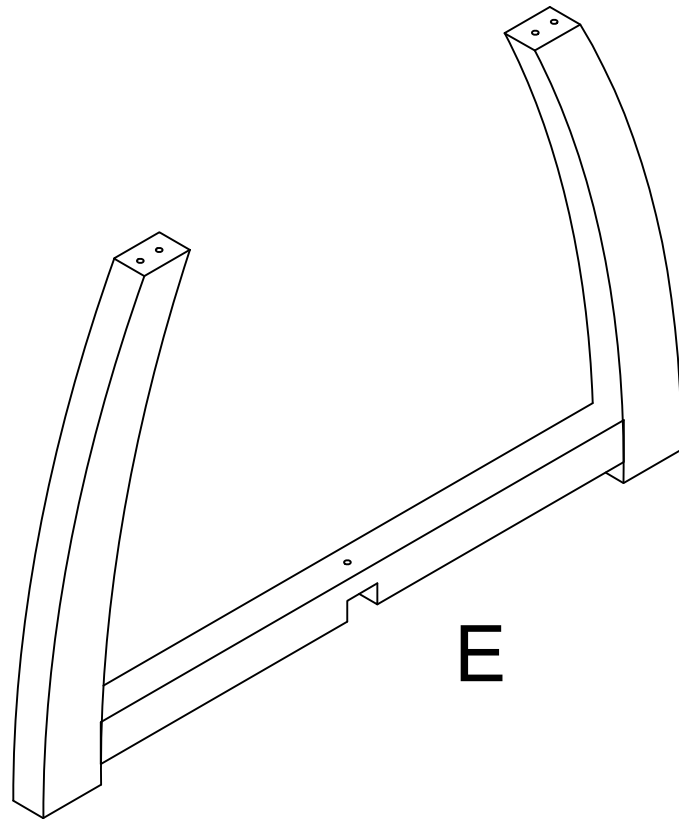
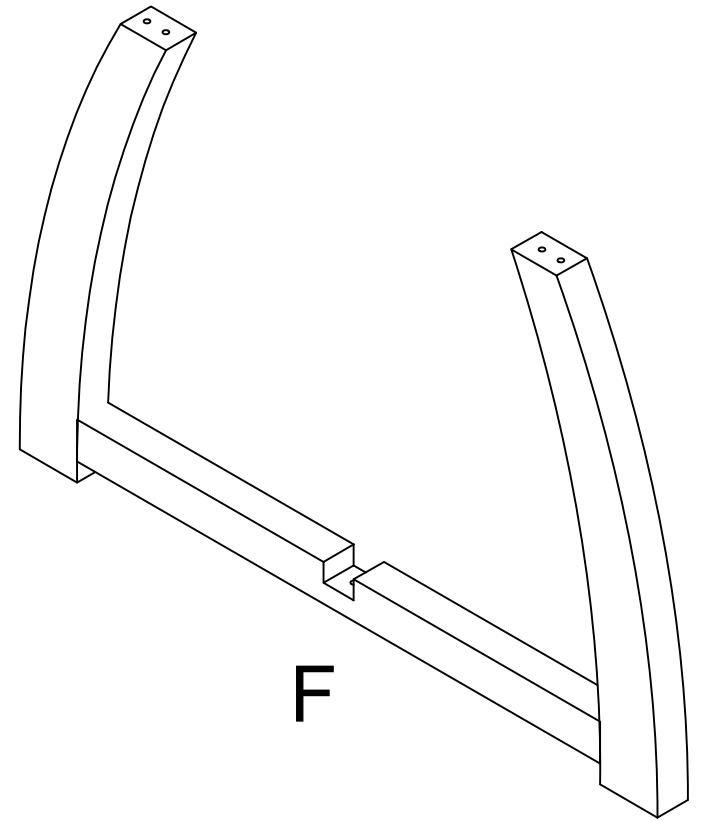
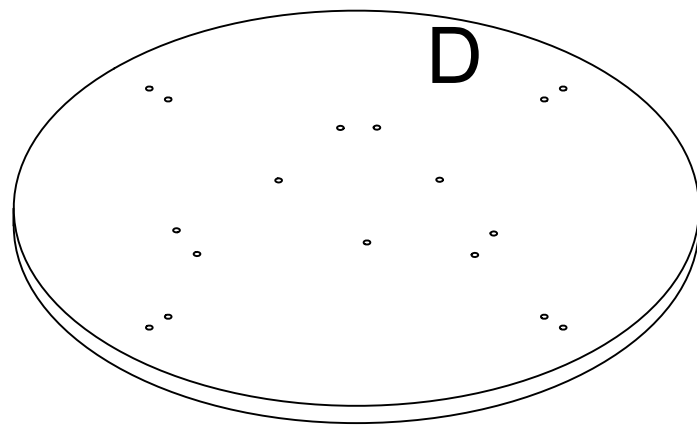
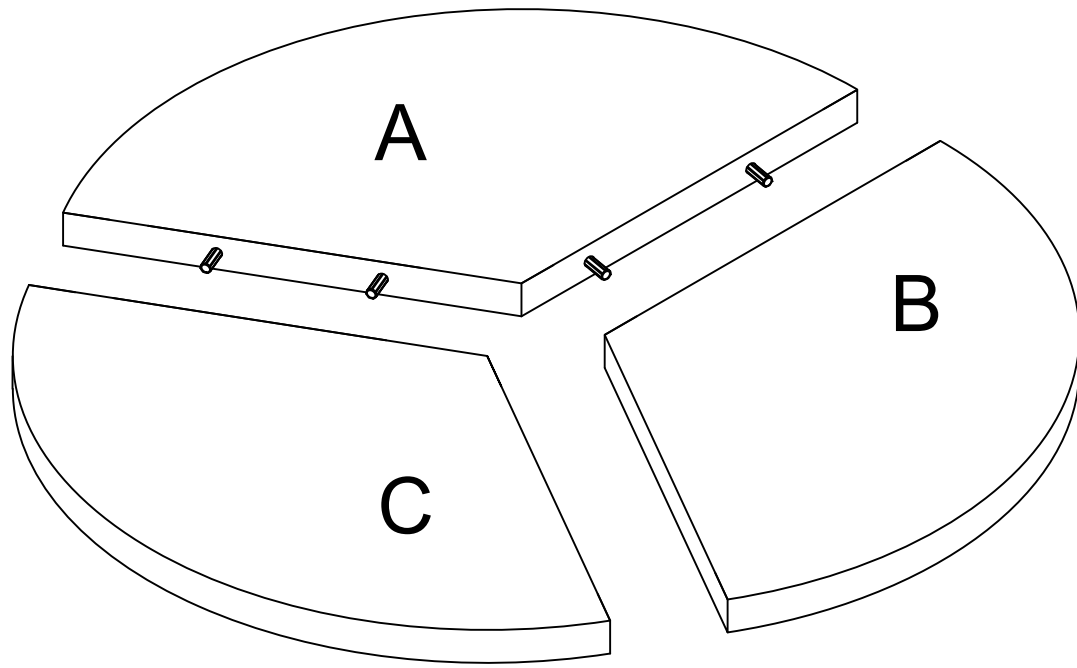
- 1.Keep furniture away from heat sources.
- 2.Do not clean furniture with harsh cleaner or polishes.Do not use detergents,solvents,abrasives,spray packs or leather cleaner. Use non-color mild soa with warm water to clean spills(Mix 1:10 soap to water).
- 3.Do not place furniture under direct sunlight,material will possibly fade over time.
- 4.Do not use on site dry cleaning machine.Children should not climb or jump on the furniture.
- 5.Do not write on furniture that is not protectedby a padded barrier.
- 6.Not for commercial use,only for residential use.



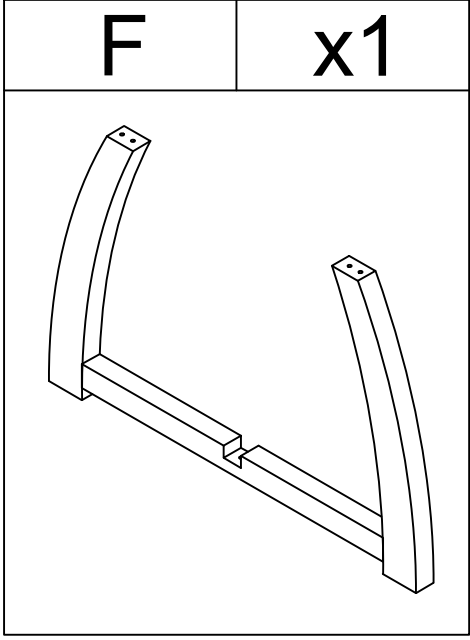
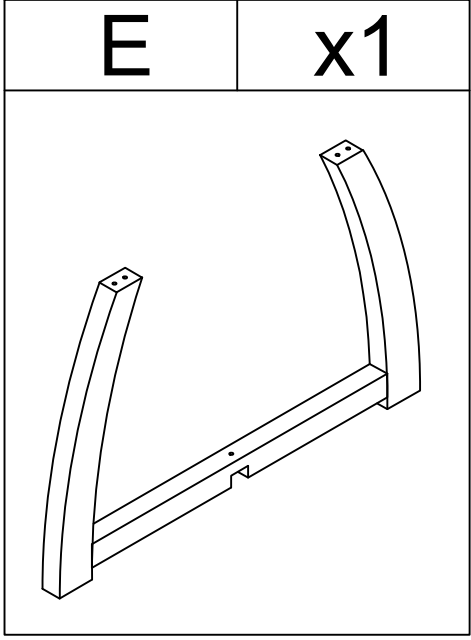
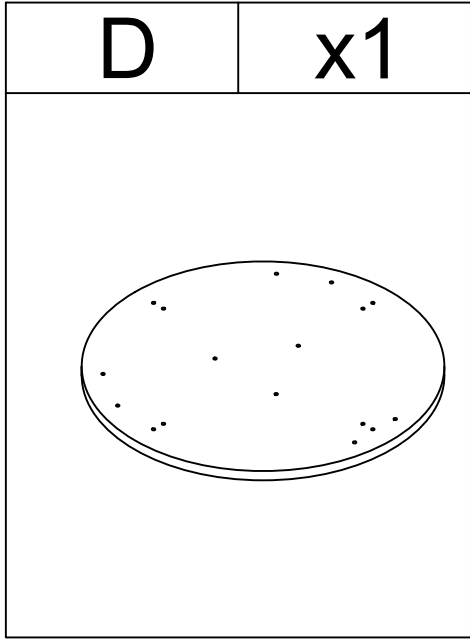
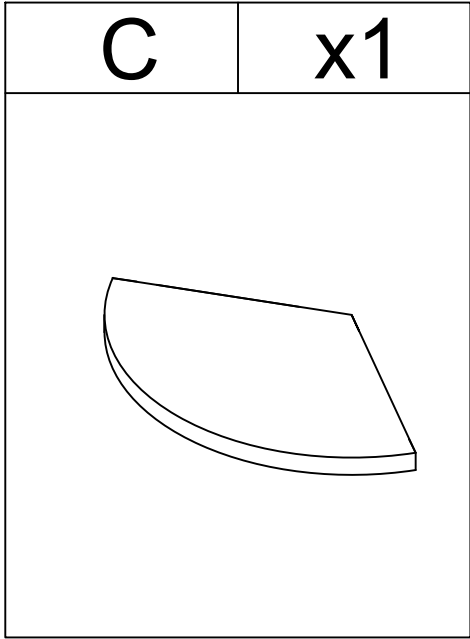
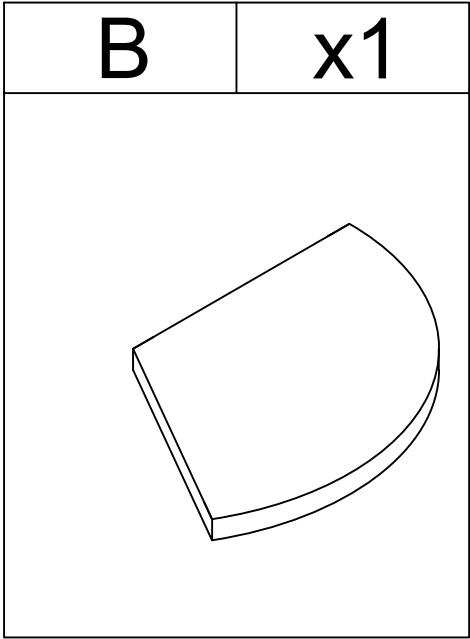
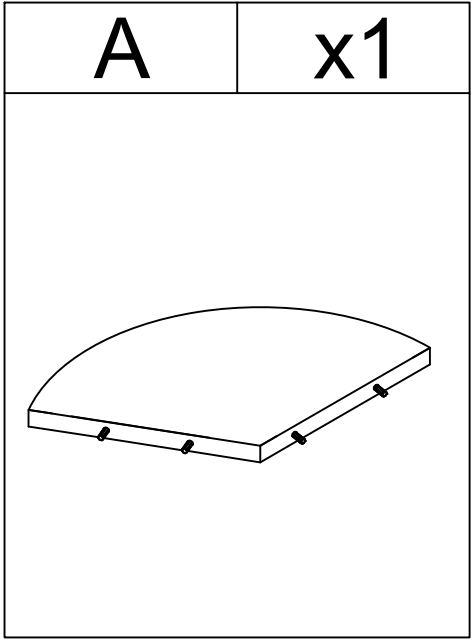
Weight Limitation

150 LBS


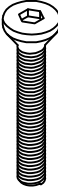
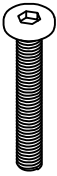
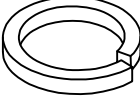
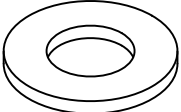
EXPLOSIVE VIEW



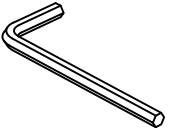
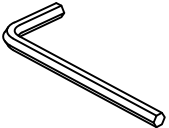
PARTS LIST



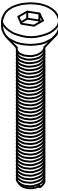
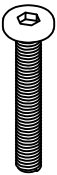
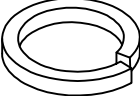
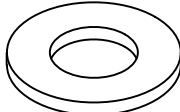
HARDWARE LIST

#1	x6	#2	x24	#3	x18	#4	x18	#5	x18
									
		φ1/4"*1"		φ5/16"*1-1/4"		φ5/16"		φ5/16"*19mm	

TOOL LIST

#6	x1	#7	x1
			
M4		M5	

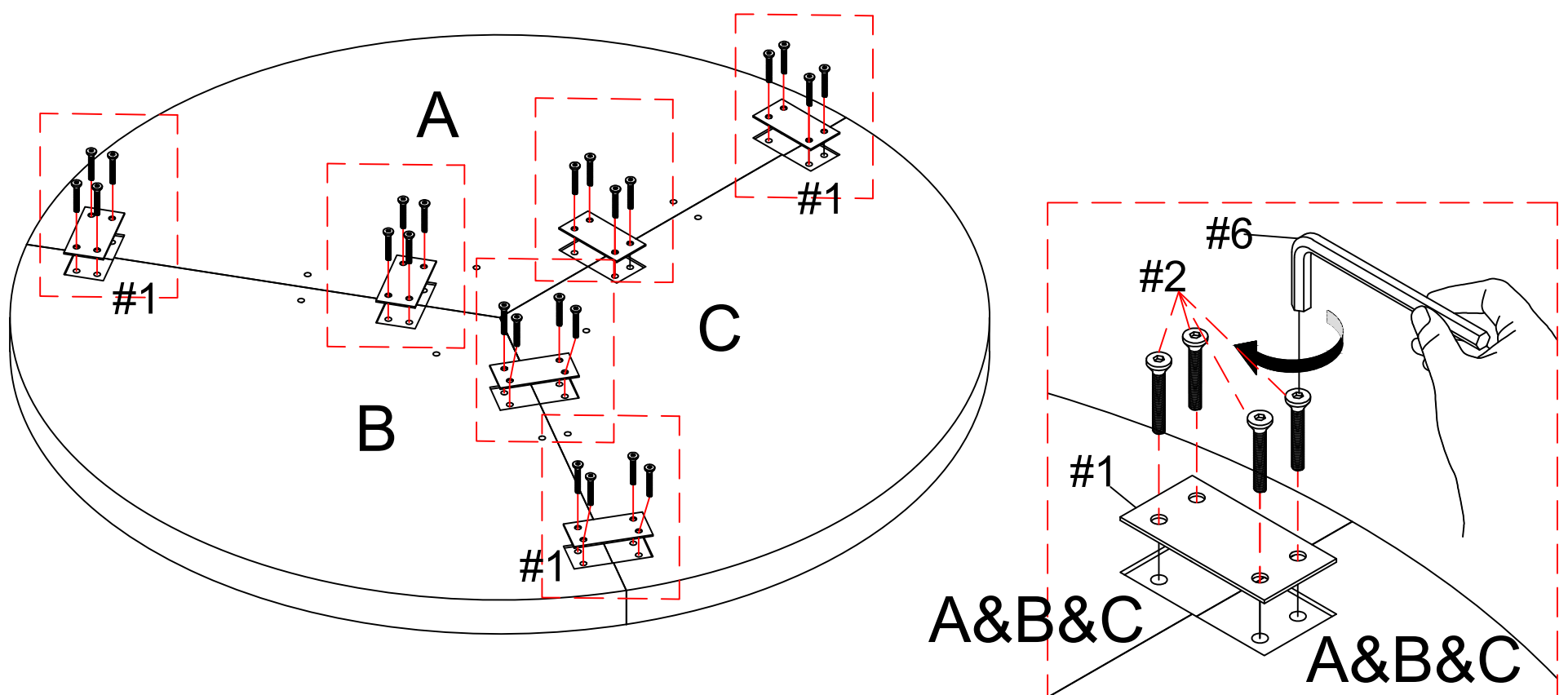
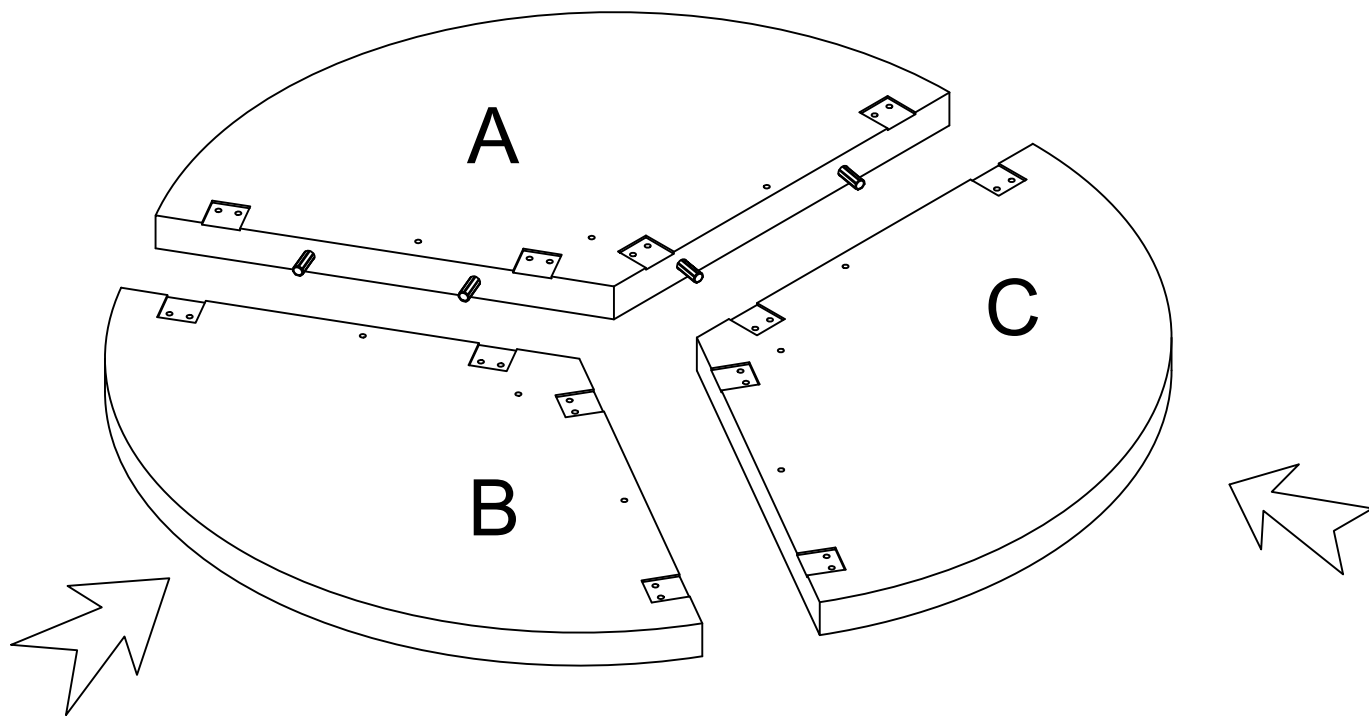
HARDWARE SPARE LIST

#2	x1	#3	x1	#4	x1	#5	x1
							
φ1/4"*1"		φ5/16"*1-1/4"		φ5/16"		φ5/16"*19mm	

ASSEMBLY INSTRUCTIONS

STEP-1

1. Insert panel (C&B) into panel (A), make sure all holes aligned. Use iron piece #1 to connect panels A&B&C and Insert screw #2 into the hole and tighten it with an Allen key #6.



#1	x6

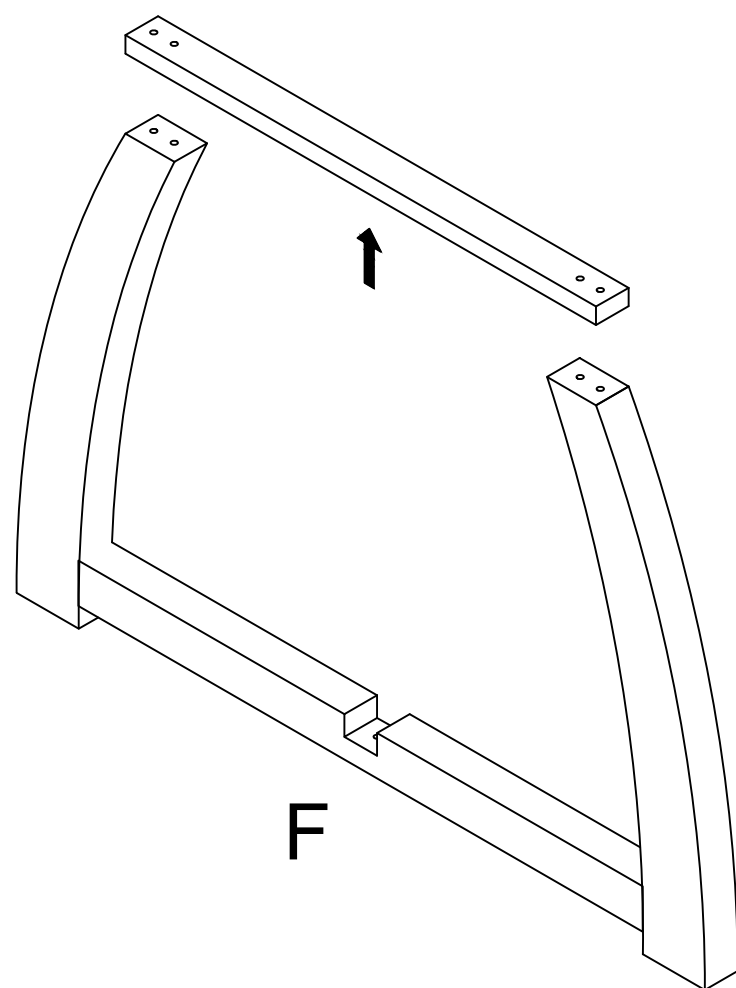
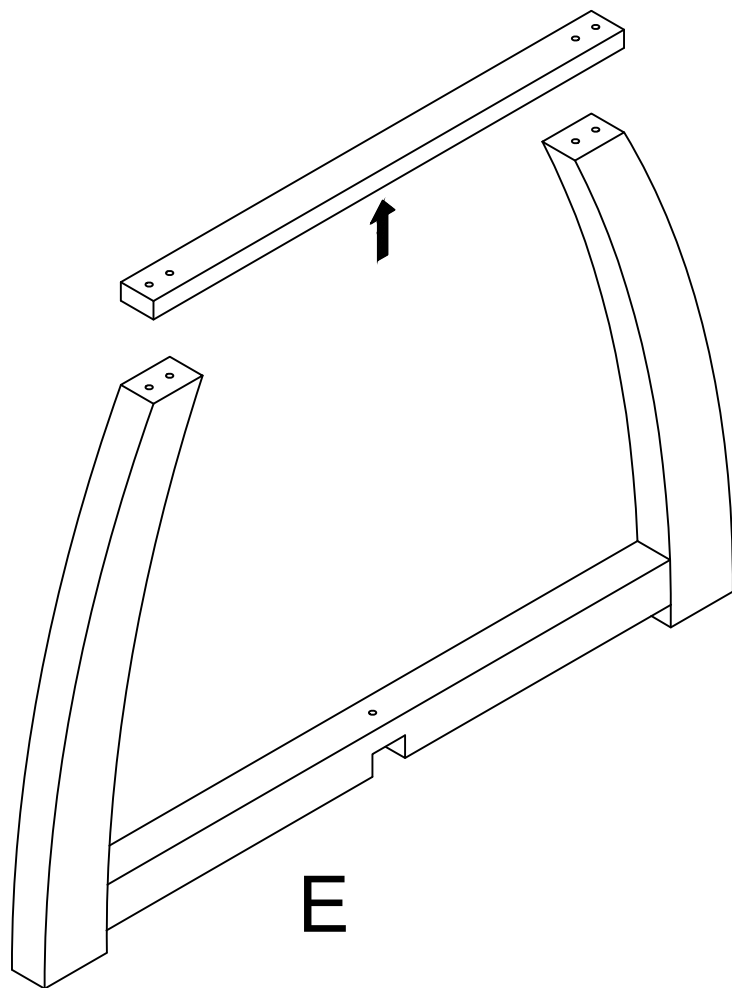
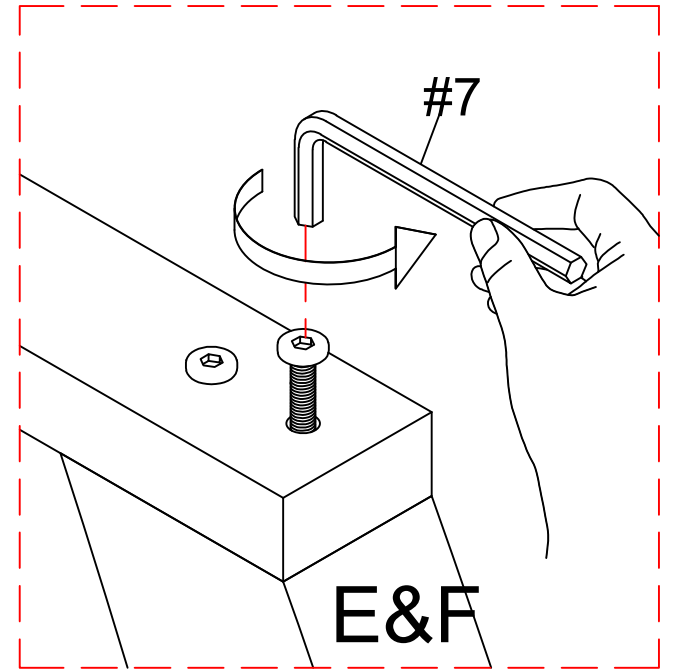
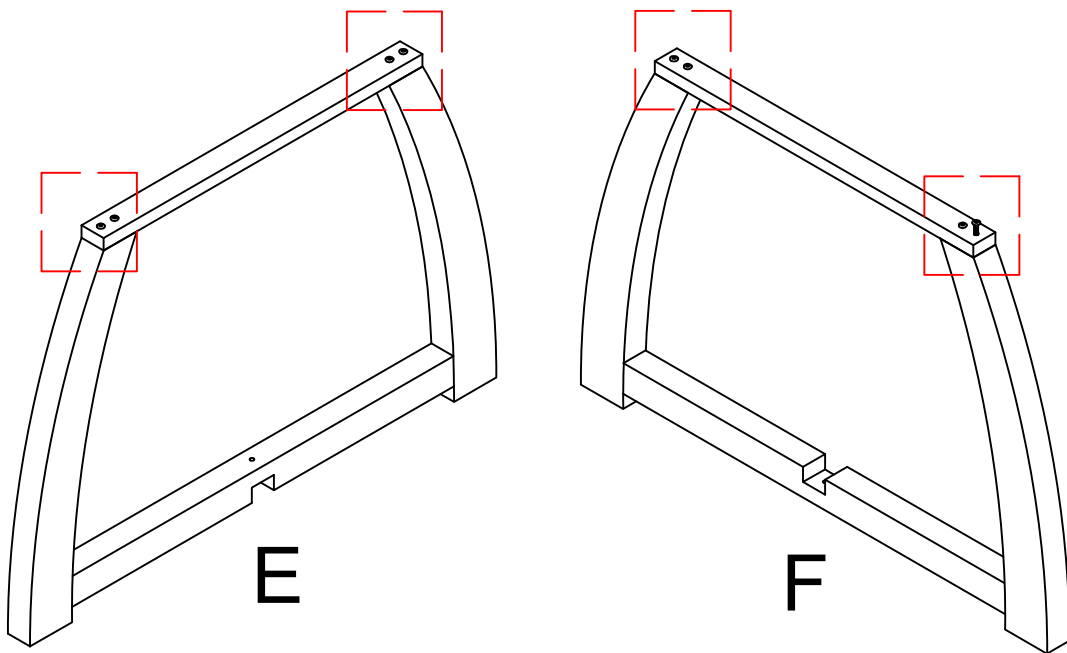
#2	x24
$\phi 1/4" \times 1"$	

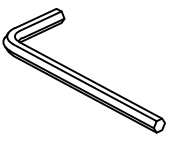
#6	x1
M4	

ASSEMBLY INSTRUCTIONS

STEP-2

Use a allen key to remove the E/F upper connecting rod.



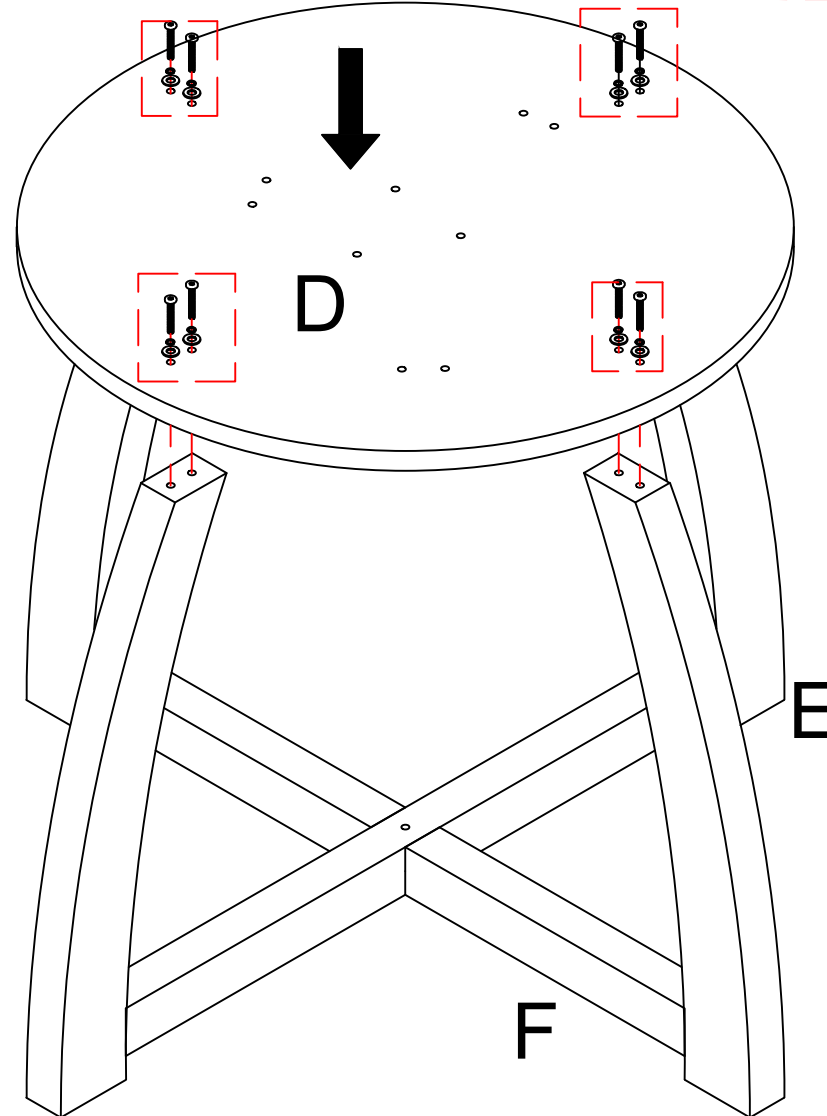
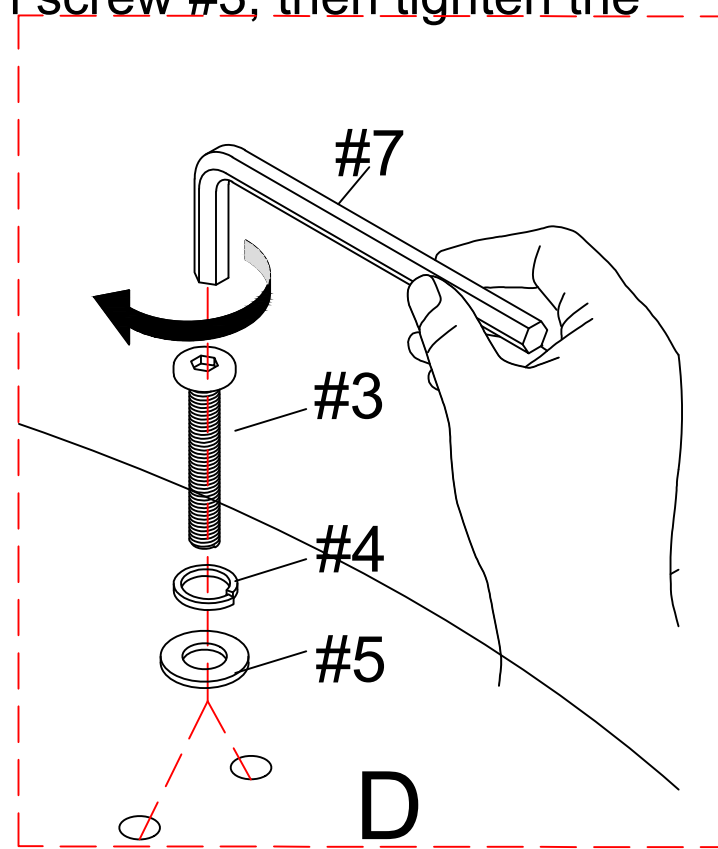
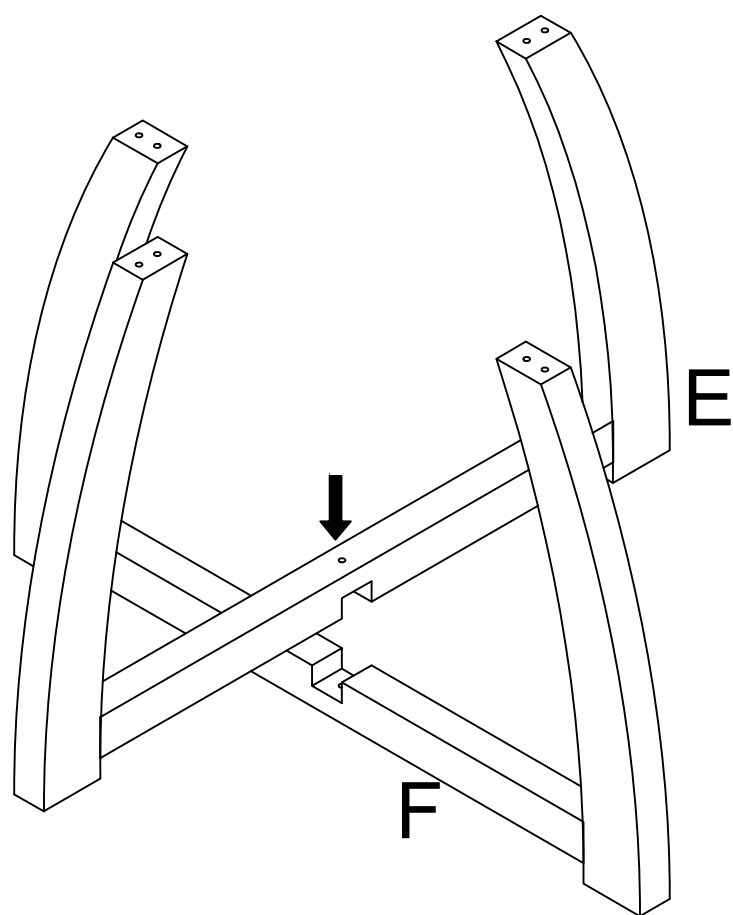
#7	x1
	
M5	

ASSEMBLY INSTRUCTIONS

STEP-3

1. Insert part (E) into panel (F), make sure all holes aligned .

1. Insert gasket #4 and #5 in sequence into bolt #3, install leg (E&F) on of panel (D), ensure the corresponding holes are aligned and fix with screw #3, then tighten the screw with an Allen key #7.



#4	x8
$\phi 5/16''$	

#5	x8
$\phi 5/16'' * 19\text{mm}$	

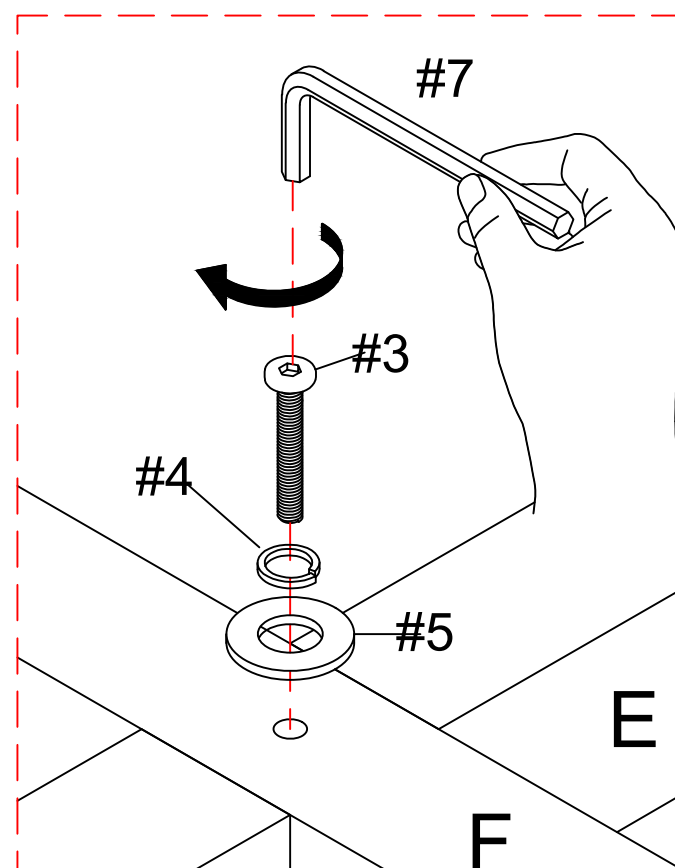
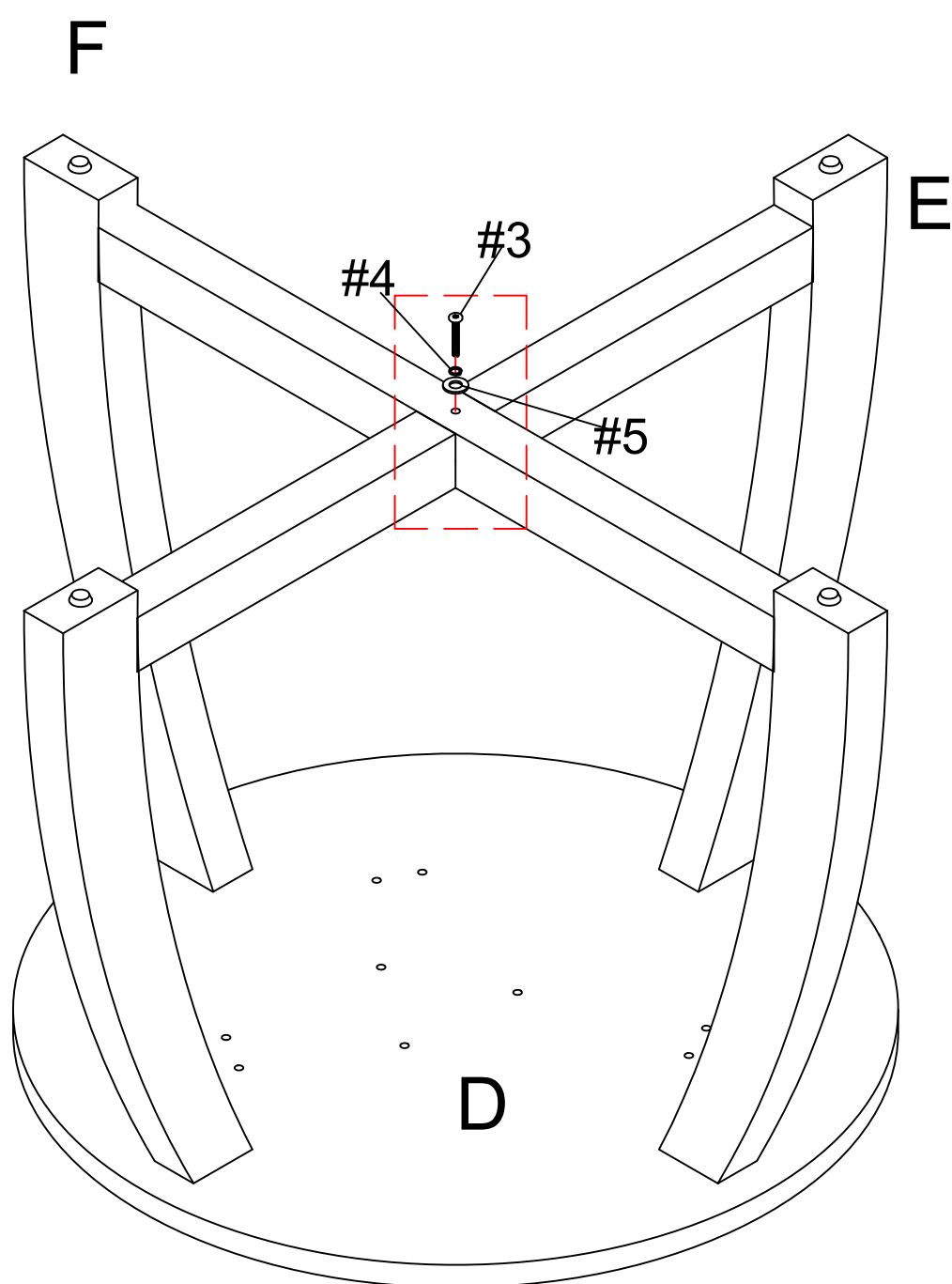
#3	x8
$\phi 5/16'' * 1-1/4''$	

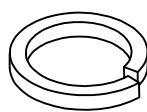
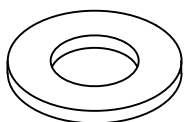
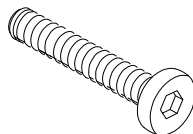
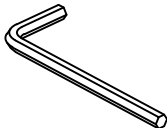
#7	x1
M5	

ASSEMBLY INSTRUCTIONS

STEP-4

1. Insert gasket #4 and #5 in sequence into bolt #3, install leg (E) on of leg (F), ensure the corresponding holes are aligned and fix with screw #3, then tighten the screw with an Allen key #7.

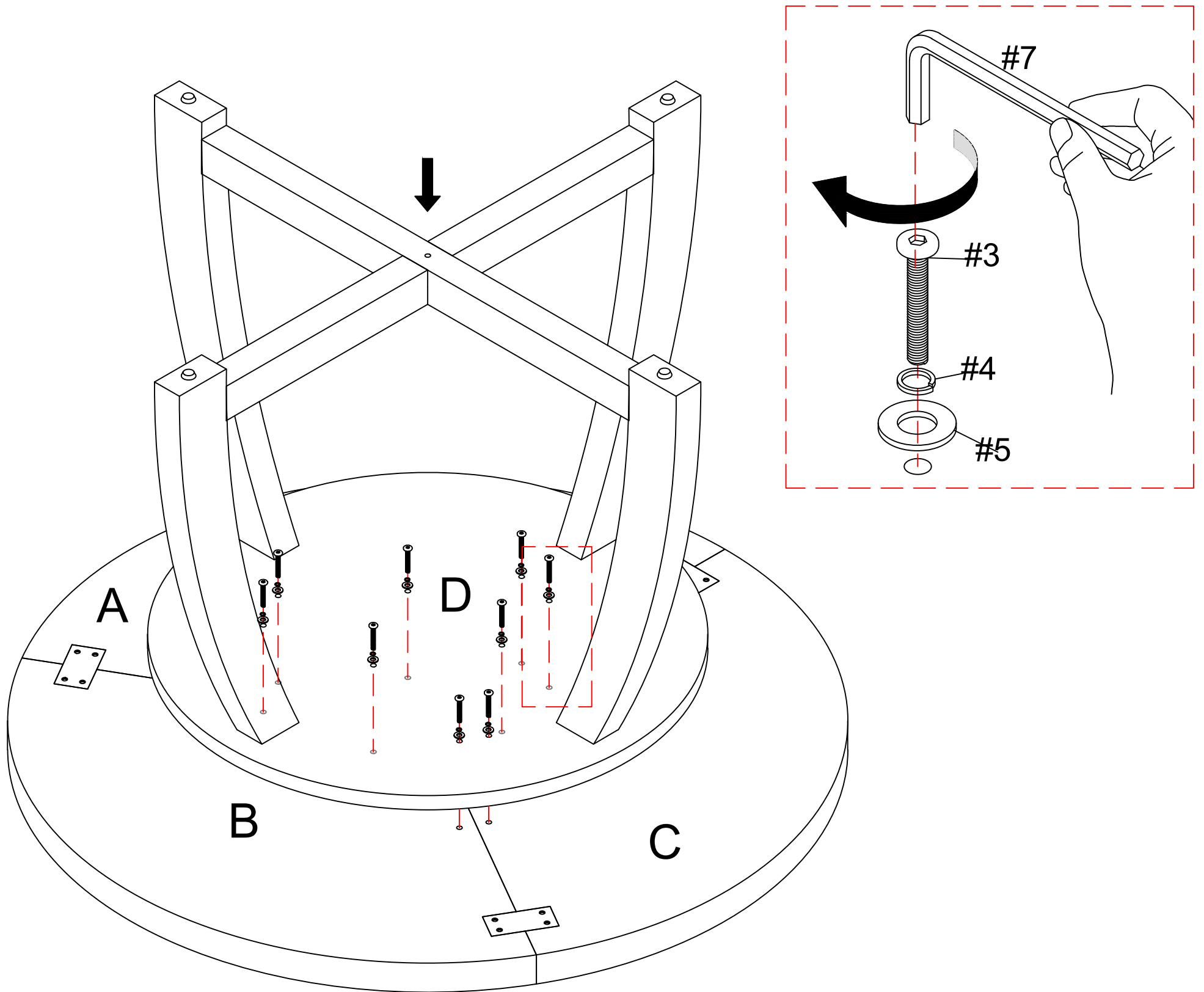


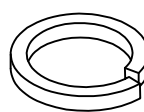
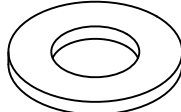
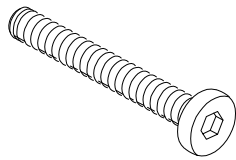
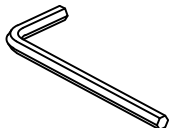
#4	x1	#5	x1	#3	x1	#7	x1
							
$\phi 5/16''$		$\phi 5/16'' \times 19\text{mm}$		$\phi 5/16'' \times 1-1/4''$		M5	

ASSEMBLY INSTRUCTIONS

STEP-5

Insert washers #5 and #4 into screw #3 in sequence, install part D on the pre-assembled unit in step 1, make sure the corresponding holes are aligned and secure with screw #3, then tighten screw #3 with an Allen key #7.

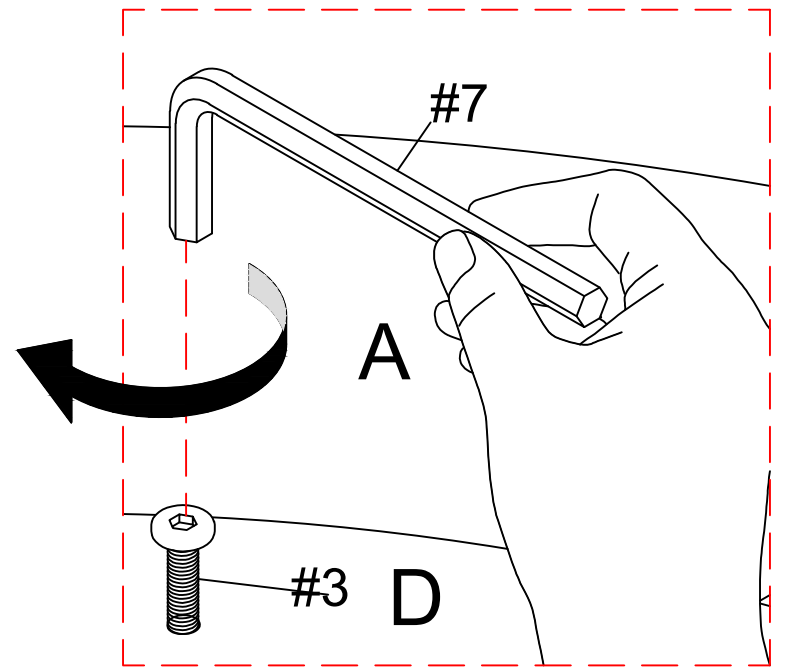
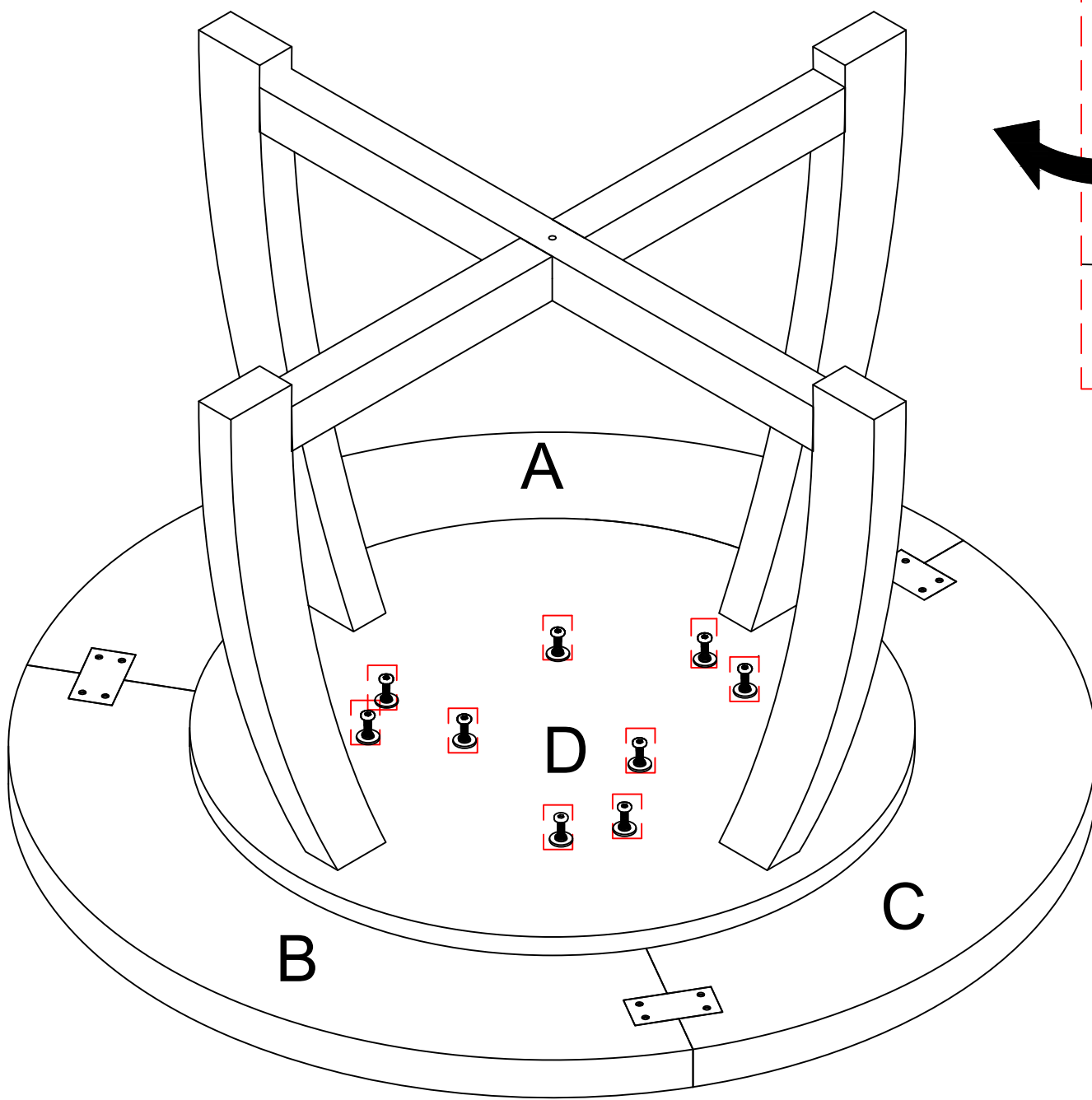


#4	x9	#5	x9	#3	x9	#7	x1
							
$\phi 5/16''$		$\phi 5/16'' * 19\text{mm}$		$\phi 5/16'' * 1-1/4''$		M5	

ASSEMBLY INSTRUCTIONS

STEP-6

Tighten all bolt.



#7	x1
M5	

WARRANTY

1. We strive to offer high-quality products, and we also try our best to satisfy each and every customer that orders from us with product or service as needed.
2. We provide 30 days warranty starting from the time you receive the item. Each customer must provide a record of their order such as the order number, or item receipt for any items that are out of the warranty period you may also still receive.
3. Replacement parts by purchasing them with our company if they are available.